

# Accessories

## ZGGZ80 - Interconnection Strip



ZGGZ80-1

- Designed for the co-operation with plug-in sockets of miniature relays and with interface relays PI84 and PI85, which are equipped with screw terminals; sockets and relays are mounted on 35 mm rail mount acc. to PN-EN 60715,
- Bridges common input signals (coil terminals A1 or A2) or output signals - see photo at the top,
- Maximum permissible current is 10 A / 250 V AC,
- Possibility of connection of 8 sockets or relays,
- Colors of strips: ZGGZ80-1 grey

### ZGGZ80-1

#### Plug-in sockets

GZT 80  
GZM 80  
GZT 92  
GZM 92

#### Relays for plugin sockets

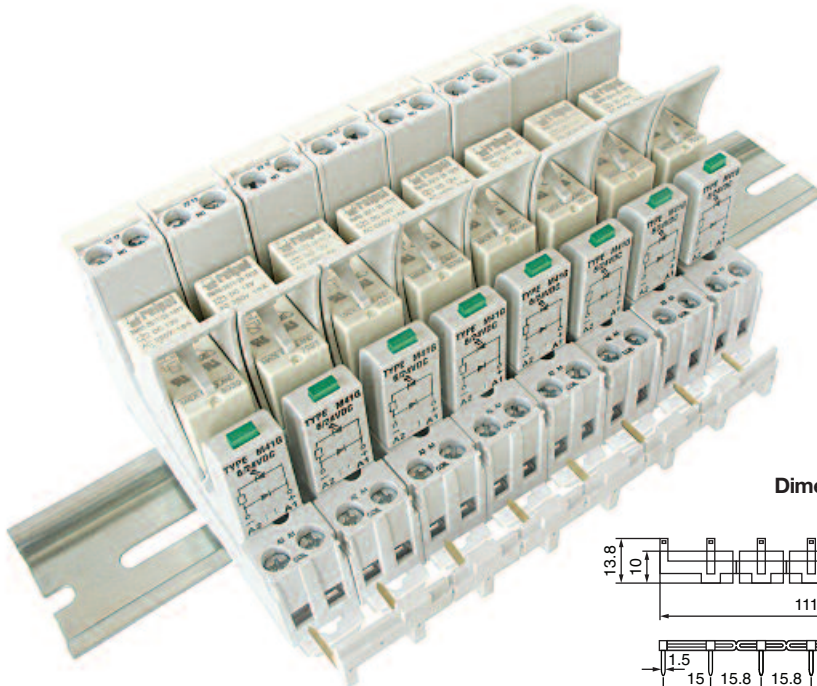
RM84, RM85, RM87  
RM84, RM85, RM87  
RM84, RM85, RM87  
RM84, RM85, RM87

#### Relays socket combination

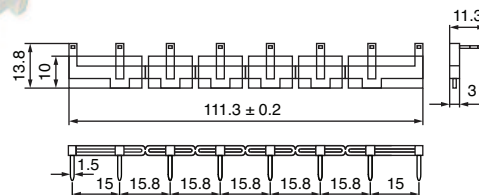
PI84-...-M..G (GZT80+RM84)  
PI84-...-00L (GZM80+RM84)  
PI85-...-M..G (GZT80+RM85)  
PI85-...-00L (GZM80+RM85)

Interface relay PI84 (PI85) is offered as a set: plug-in socket GZT80 or GZM80 + miniature relay RM84 (RM85) + signalling / protecting module type M... + retainer / retractor clip GZT80-0040 + description plate GZT80-0035.

## Altech Custom Assemblies



#### Dimensions



**Altech provides quick turnaround and competitive prices on assemblies.**

For complete assemblies contact Altech.



ZGGZ4-1

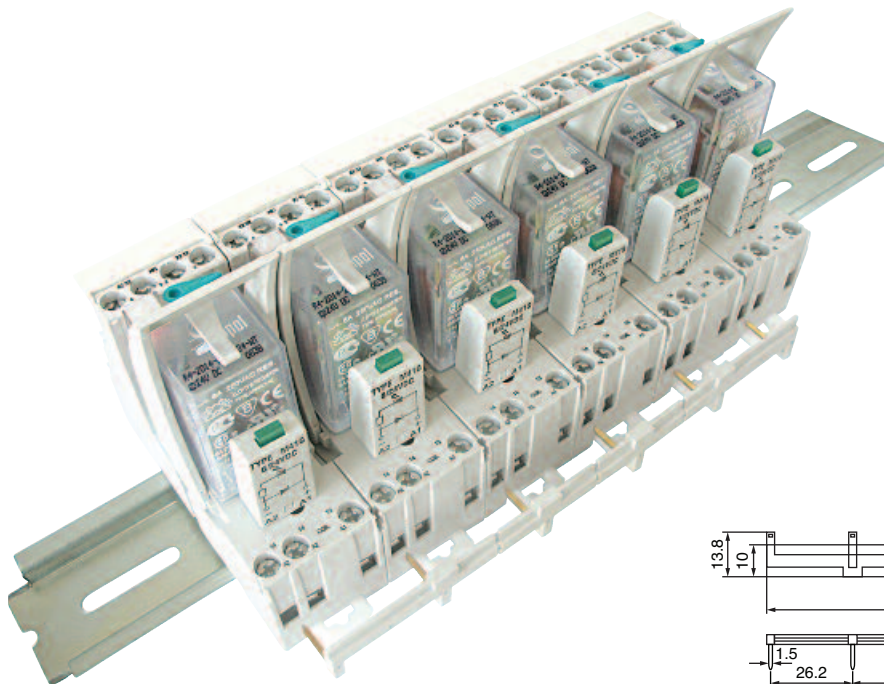
- Designed for the co-operation with plug-in sockets of miniature industrial relays and with interface relays PIR2, PIR3 and PIR4, which are equipped with screw terminals; sockets and relays are mounted on 35 mm rail mount acc. to PN-EN 60715,
- Bridges common input signals (coil terminals A1 or A2) or output signals - see photo at the top,
- Maximum permissible current is 10 A / 250 V AC,
- Possibility of connection of 6 sockets or relays,
- Colors of strips: ZGGZ4-1 grey

### ZGGZ4-1

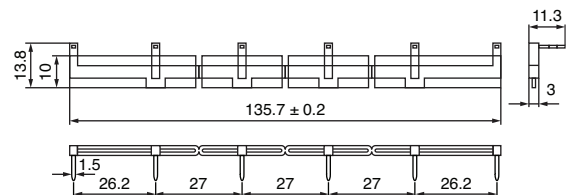
| Plug-in sockets | Relays for plugin sockets | Relays socket combination |
|-----------------|---------------------------|---------------------------|
| GZT2            | R2                        | PIR2-...-00L (GZM2+R2)    |
| GZM2            | R2                        |                           |
| GZT3            | R3                        | PIR3-...-00L (GZM3+R3)    |
| GZM3            | R3                        |                           |
| GZT4            | R4                        | PIR4-...-00L (GZM4+R4)    |
| GZM4            | R4                        |                           |

Interface relay PIR2 (PIR3, PIR4) is offered as a set: plug-in socket GZM2 (GZM3, GZM4) + miniature industrial relay R2 (R3, R4) + signalling / protecting module type M... + retainer / retractor clip GZT4-0040 + description plate GZT4-0035.

## Altech Custom Assemblies



Dimensions



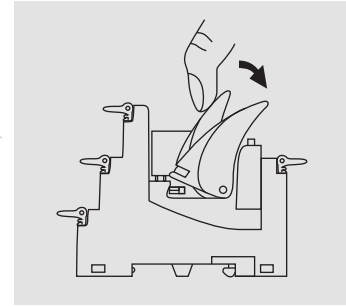
**Altech provides quick turnaround and competitive prices on assemblies.**

For complete assemblies contact Altech.

# Accessories For Industrial Relays

Signalling / protecting module  
type M...

Electromagnetic  
relay

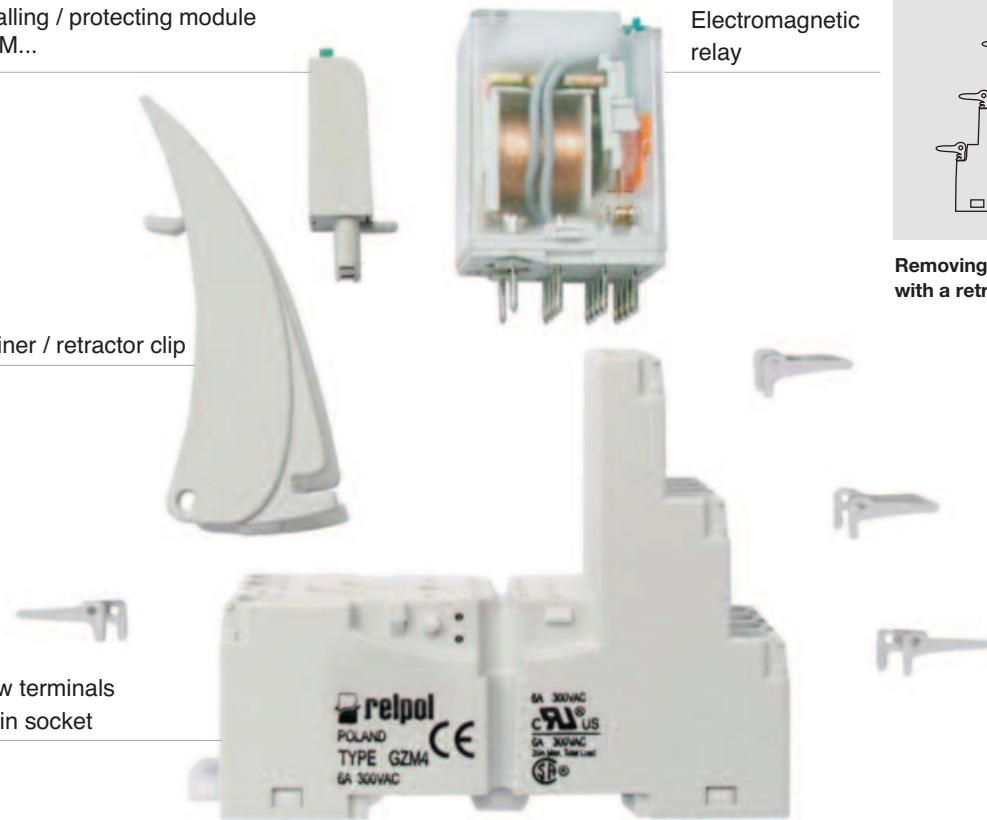






Removing the relay from the socket  
with a retractor / retractor clip.

Retainer / retractor clip

Screw terminals  
plug-in socket

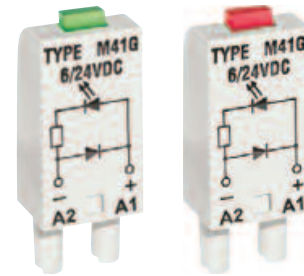
Description plate



|                                   |   |   |
|-----------------------------------|---|---|
| <b>Type of plug-in socket</b>     | GZT80, GZT92<br>GZM80, GZM92  | GZT2, GZT3, GZT4<br>GZM2, GZM3, GZM4  |
| <b>Retainer / retractor clips</b> |  |  |
| <b>Type</b>                       | GZT80-0040  | GZT4-0040   |
| Color                             | gray  | gray  |
| <b>Description plates</b>         |  |  |
| <b>Type</b>                       | GZT80-0035  | GZT4-0035   |
| color                             | white   | white   |
| For relays                        | RM84, RM85, RM87  | R2, R3, R4  |
| Height of relay                   | 15...16.5 mm  | 35.6 mm   |

**For sockets type:** GZT80, GZT92, GZM80, GZM92, GZS80, GZS92, ES 32, GZT2, GZT3, GZT4, GZM2, GZM3, GZM4

Modules are parallel connected with relay coil.  
Polarity P: -A1/+A2. Polarity N: +A1/-A2.



| Part Number   | Color  | Modules  | Layout | Layout   |
|---|--|--|--------|--|
| M21P  |  | <b>Module D (polarization P)</b><br>It limits overvoltage on DC coils.                                 |        | 6/230 V DC   |
| M21N  |  | <b>Module D (polarization N)</b><br>It limits overvoltage on DC coils.                                 |        | 6/230V DC  |
| M31R<br>M32R<br>M33R  | red<br>red<br>red                            | <b>Module LD (polarization P)</b><br>It limits overvoltage on DC coils.<br>Coil energizing indication. |        | 6/24 V DC<br>24/60 V DC<br>110/230V DC   |
| M31G*<br>M32G<br>M33G   | green<br>green<br>green                      |  |        | 6/24 V DC<br>24/60 V DC<br>110/230V DC   |
| ▶ <b>M41G</b><br>▶ <b>M42G</b><br>▶ <b>M43G</b>                         | green<br>green<br>green                      |  |        | <b>Module LD (polarization N)</b><br>It limits overvoltage on DC coils.<br>Coil energizing indication. |
| ▶ <b>M51</b><br>▶ <b>M52</b><br>▶ <b>M53</b>                            |  | <b>Module RC</b><br>It protects against EMC disturbance.<br>It limits overvoltage.                     |        | 6/24V AC<br>24/60V AC<br>110/240V AC   |
| M61R<br>M62R<br>M63R<br>M61G*<br>M62G<br>M63G*                          | red<br>red<br>red<br>green<br>green<br>green | <b>Module L</b><br>Coil energizing indication.   |        | 6/24V AC/DC<br>24/60V AC/DC<br>110/230V AC/DC<br>6/24V AC/DC<br>24/60V AC/DC<br>110/230V AC/DC         |
| M91R<br>M92R<br>M93R<br>▶ <b>M91G</b><br>▶ <b>M92G</b><br>▶ <b>M93G</b> | red<br>red<br>red<br>green<br>green<br>green |  |        | <b>Module LV</b><br>It limits overvoltage on AC and DC coils.<br>Coil energizing indication.           |
| M71<br>M72<br>M73   |  | <b>Module V</b><br>It limits overvoltage on AC and DC coils.<br>No indication.                         |        | 24V AC<br>130V AC<br>230V AC   |
| M103  |  | <b>Module R</b><br>It limits overvoltage on AC coils.  |        | 110/230V AC  |

▶ **BOLD** - Regular stocked items.



# Additional Features for Industrial Relays

## Explantions for Additional Features

| Type     | Description   | For industrial relays                                    |
|----------|---|--|
| <b>W</b> | mechanical indicator  | R2, R3, R4,<br>R15 - DPDT, 3PDT                          |
| <b>T</b> | lockable front test button,<br>orange colour - AC coils,<br>green colour - DC coils | R2, R3, R4,<br>R15 - DPDT, 3PDT                          |
| <b>L</b> | light indicator (LED diode),<br>located inside the relay                            | R2, R3, R4, RY2,<br>R15 - DPDT, 3PDT, 4PDT<br>RUC, RUC-M |
| <b>D</b> | surge suppression element (diode)<br>- only for DC coils                            | R2, R3, R4, RY2,<br>R15 - DPDT, 3PDT, 4PDT               |
| <b>V</b> | surge suppression element (varistor)<br>- only for AC coils                         | R15 - DPDT, 3PDT   |
| <b>K</b> | test button without block function  | R15 - 4PDT<br>RUC  |

**WT** = mechanical indicator + lockable front test button; basic features of standard industrial relays: R2, R3, R4, R15 - DPDT, 3PDT - for plug-in sockets. Detailed information for individual relays: see "Ordering codes - Additional features".

### Available combinations:

WT, WTL, WTD, WTL D - in relays R2, R3, R4 for plug-in sockets

L, D, LD - in relays RY2 for plug-in sockets

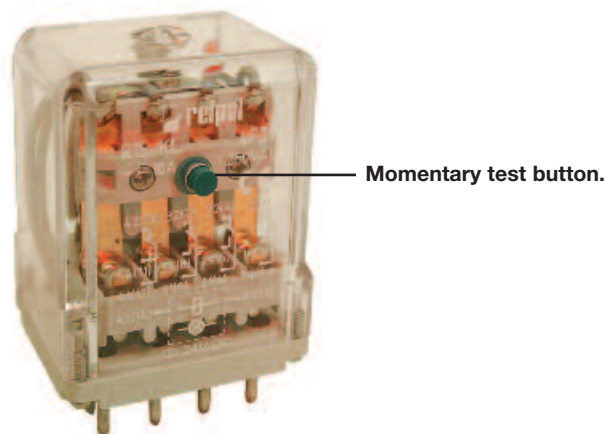
WT, WTL, WTD, WTL D, WTV, WTLV - in relays R15 - DPDT, 3PDT for plug-in sockets

K, L, D, KL, KD, LD, KLD - in relays R15 - 4PDT for plug-in sockets

K, L, KL - in relays RUC

L - in relays RUC-M

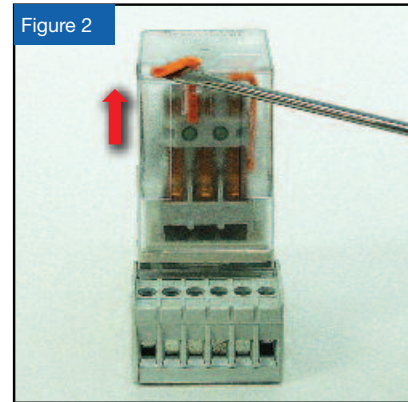
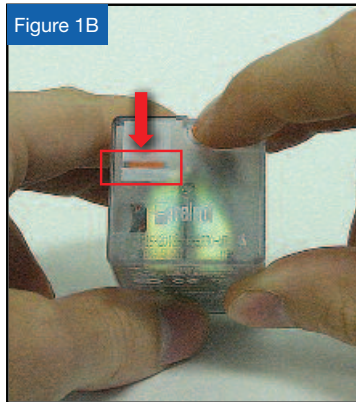
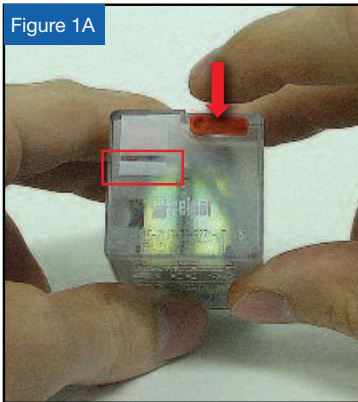
### TEST BUTTONS Type T



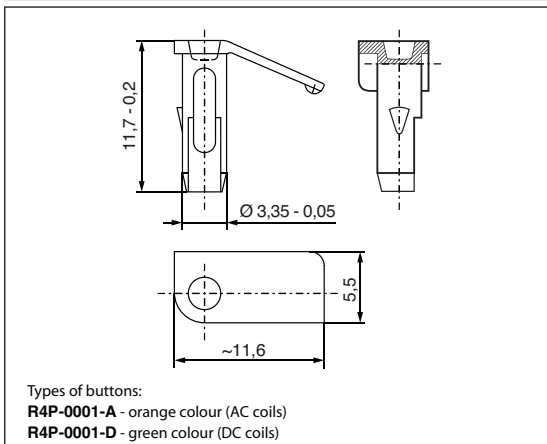
# Test Buttons (no latching) and Plugs

**Test buttons** are available for R2...WT, R3...WT, R4...WT, R15...WT DPDT, R15...WT 3PDT, relays - **for applications that do not require permanent contact latching**. By manual operation (pressing the button, see figures 1A and 1B) relay contacts can get switched for as long time as long the button is pressed. Contacts return to initial position as soon as pressure is released from the button. Those operations can be done while the coil is deenergized. Button R4P-0001 or R15-M404 can be easily inserted by the Customer after removal of button type T (see figure 1B).

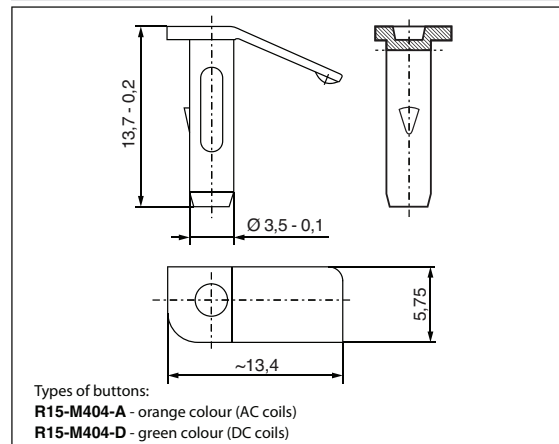
Button type T can be removed with screwdriver as shown in figure 2.



**Dimensions - test button R4P-0001**  
for relays **R2...WT, R3...WT, R4...WT**

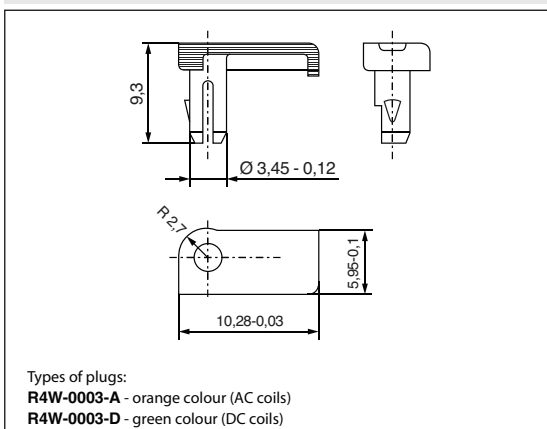


**Dimensions - test button R15-M404**  
for relays **R15...WT - DPDT, 3PDT**

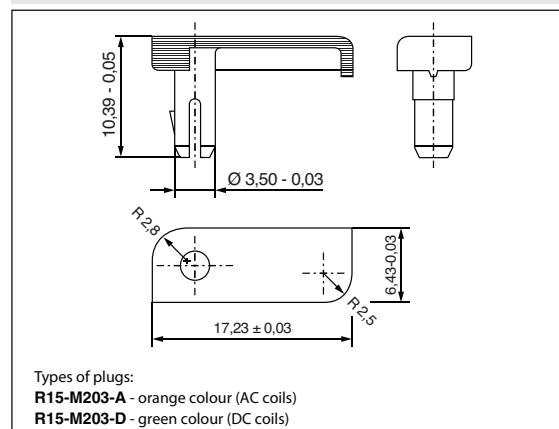


**Plugs R4W-0003 or R15-M203 can substitute button type T if manual operation (latching and testing) is not allowed.** Changing button type T for plug can be done by Customer themselves in the same way as changing button type T for button (no latching).

**Dimensions - plug R4W-0003**  
for relays **R2...WT, R3...WT, R4...WT**



**Dimensions - plug R15-M203**  
for relays **R15...WT - DPDT, 3PDT**





Компания «ЭлектроПласт» предлагает заключение долгосрочных отношений при поставках импортных электронных компонентов на взаимовыгодных условиях!

Наши преимущества:

- Оперативные поставки широкого спектра электронных компонентов отечественного и импортного производства напрямую от производителей и с крупнейших мировых складов;
- Поставка более 17-ти миллионов наименований электронных компонентов;
- Поставка сложных, дефицитных, либо снятых с производства позиций;
- Оперативные сроки поставки под заказ (от 5 рабочих дней);
- Экспресс доставка в любую точку России;
- Техническая поддержка проекта, помощь в подборе аналогов, поставка прототипов;
- Система менеджмента качества сертифицирована по Международному стандарту ISO 9001;
- Лицензия ФСБ на осуществление работ с использованием сведений, составляющих государственную тайну;
- Поставка специализированных компонентов (Xilinx, Altera, Analog Devices, Intersil, Interpoint, Microsemi, Aeroflex, Peregrine, Syfer, Eurofarad, Texas Instrument, Miteq, Cobham, E2V, MA-COM, Hittite, Mini-Circuits, General Dynamics и др.);

Помимо этого, одним из направлений компании «ЭлектроПласт» является направление «Источники питания». Мы предлагаем Вам помощь Конструкторского отдела:

- Подбор оптимального решения, техническое обоснование при выборе компонента;
- Подбор аналогов;
- Консультации по применению компонента;
- Поставка образцов и прототипов;
- Техническая поддержка проекта;
- Защита от снятия компонента с производства.



#### Как с нами связаться

**Телефон:** 8 (812) 309 58 32 (многоканальный)

**Факс:** 8 (812) 320-02-42

**Электронная почта:** [org@eplast1.ru](mailto:org@eplast1.ru)

**Адрес:** 198099, г. Санкт-Петербург, ул. Калинина, дом 2, корпус 4, литера А.