

Battery Holders

Manufactured from quality moulding and metal components to ensure a secure and reliable connection, Bulgin's battery holder range caters for battery sizes AAA(R03), AA(R6), C(R14), CR123, D(R20) and PP3(6R61), accommodating 1, 2, 3 or 4 cells.

There's a choice of fixing styles including screw and flange panel fixing, PCB and base mounting versions.

The panel mounting versions are now available in two styles; standard fixing and front panel sealed to IP67, extending the applications into harsher external environments where dust or water would inhibit equipment operation.

The open frame styles are designed to be either PCB or base mounted and most have an interlocking facility to join adjacent holders together.

Principle applications include portable equipment and memory back-up.

| Type | Cell Size | Page |
|----------------------------------------|-----------|------|
| Panel Mounting (sealed to IP67) | | |
| BXS011/1-BXS013/1 | AA | 7 |
| BXS001/1-BXS003/1 | C | 7 |
| BXS016-BXS018 | D | 7 |
| Panel Mounting | | |
| BX0011/1-BX0013/1 | AA | 8 |
| BX0027 | AA | 8 |
| BX0001/1-BX0003/1 | C | 8 |
| BX0016-BX0018 | D | 9 |
| BX0023 | PP3 | 9 |
| BX0026 | PP3 | 9 |
| PC/Base Mounting | | |
| BX0123 | CR123 | 10 |
| BX0034 | AAA | 10 |
| BX0035 | AA | 10 |
| BX0036 | C | 11 |
| BX0037 | D | 11 |
| BX0033 | PP3 | 11 |

Battery Holder Selector

Maximum Battery Size to BSEN 60086-1 and -2

| Battery size | Battery Dimensions | No. of Cells | Mounting | Part No. |
|--------------|-----------------------|--------------|--------------|----------|
| AAA (R03) | Ø10.5 x 44.5 | 1 | PCB/Base | BX0034 |
| AA (R6) | Ø14.5 x 50.5 | 1 | PCB/Base | BX0035 |
| | | 1 | Panel | BX0011/1 |
| | | 2 | Panel | BX0012/1 |
| | | 3 | Panel | BX0013/1 |
| | | 4 | Panel | BX0027 |
| | | 1 | Panel Sealed | BXS011/1 |
| | | 2 | Panel Sealed | BXS012/1 |
| | | 3 | Panel Sealed | BXS013/1 |
| CR123 | Ø17.0 x 34.5 | 1 | PCB/Base | BX0123 |
| C (R14) | Ø26.2 x 50 | 1 | PCB/Base | BX0036 |
| | | 1 | Panel | BX0001/1 |
| | | 2 | Panel | BX0002/1 |
| | | 3 | Panel | BX0003/1 |
| | | 1 | Panel Sealed | BXS001/1 |
| | | 2 | Panel Sealed | BXS002/1 |
| | | 3 | Panel Sealed | BXS003/1 |
| D (R20) | Ø34.2 x 61.5 | 1 | PCB/Base | BX0037 |
| | | 1 | Panel | BX0016 |
| | | 2 | Panel | BX0017 |
| | | 3 | Panel | BX0018 |
| | | 1 | Panel Sealed | BXS016 |
| | | 2 | Panel Sealed | BXS017 |
| | | 3 | Panel Sealed | BXS018 |
| PP3 (6R61) | W26.5 x D17.5 x H48.5 | 1 | PCB/Base | BX0033 |
| | | 1 | Panel | BX0023 |
| | | 2 | Panel | BX0026 |

Note: As batteries from different manufacturers may vary slightly in size, Dimensions & Drawings are approximate only.



All Bulgin Battery Holders have polarity clearly marked

Front panel sealed to IP67

AA SIZE BATTERY HOLDER



BXS011/1

- 1, 2 or 3 Cells
- Flanged Panel Mount
- Bayonet with finger/coin slot release
- Supplied with gasket and sealing grommets for screws



C SIZE BATTERY HOLDER



BXS001/1

- 1, 2 or 3 Cells
- Panel Mount
- Screw Cap/Hand release
- Supplied with gasket



D SIZE BATTERY HOLDER



BXS016

- 1, 2 or 3 Cells
- Flanged Panel Mount
- Bayonet/finger release
- Supplied with flange gasket and sealing grommets for screws



| Specification | BXS011/1, BXS012/1, BXS013/1 | BXS001/1, BXS002/1, BXS003/1 | BXS016, BXS017, BXS018 |
|---------------------------|---------------------------------------------------------------------------------------------------|------------------------------------------------------------------------------------------------|-------------------------------------------------------------------------|
| Battery/Cell Type: | AA (R6) | C (R14) | D (R20) |
| No. Cells: | BXS011/1 - 1 cell BXS012/1 - 2 cells BXS013/1 - 3 cells | BXS001/1 - 1 cell BXS002/1 - 2 cells BXS003/1 - 3 cells | BXS016 - 1 cell BXS017 - 2 cells BXS018 - 3 cells |
| Terminations: | 2.8 series tabs/solder tags | 2.8 series tabs/solder tags | 4.8 series tabs/solder tags |
| Operating Temperature: | -30°C to +70°C | -30°C to +70°C | -30°C to +70°C |
| Mouldings: | Nylon Glass filled Polyester Polycarbonate | Nylon Glass filled Polyester | Nylon Glass filled Polyester |
| Flammability Rating: | UL94V-0 | UL94V-0 | UL94V-0 |
| Contacts: | Brass, Tin Plated - rear contact Nickel Silver, clean - front contact and cap contact plate | Brass, Tin Plated - front and rear contacts Nickel Silver, clean - cap contact plate | Brass, Nickel Plated - front and rear contacts and cap contact plate |
| Features: | Bayonet cap with finger grip and coin slot Rear support bracket | Screw on cap with finger grip Recommended torque for panel ring 1.13-1.7Nm (10-15lbf.in) | Bayonet cap with finger grip Rear support bracket |
| Sealing (front of panel): | Protection classification IP67, BS60529:1992 | Protection classification IP67, BS60529:1992 | Protection classification IP67, BS60529:1992 |
| Notes: | Recommend 2 & 3 cell versions are supported by rear bracket | | Recommend 2 & 3 cell versions are supported by rear bracket |
| RoHS | Compliant | Compliant | Compliant |

Panel Mounting

AA SIZE BATTERY HOLDER


BX0011/1

- 1, 2 or 3 Cells
- Flanged Panel Mount
- Bayonet/Screwdriver release



AA SIZE BATTERY HOLDER


BX0027

- 4 Cells
- Flanged Panel Mount
- Drawer function



C SIZE BATTERY HOLDER


BX0001/1

- 1, 2 or 3 Cells
- Panel Mount
- Screw Cap/Hand release



| Specification | BX0011/1, BX0012/1, BX0013/1 | BX0027 | BX0001/1, BX0002/1, BX0003/1 |
|------------------------|---------------------------------------------------------------|-----------------------------------------------------|--------------------------------------------------------------------------|
| Battery/Cell Type: | AA (R6) | AA (R6) | C (R14) |
| No. Cells: | BX0011/1 - 1 cell BX0012/1 - 2 cells BX0013/1 - 3 cells | 4 cells | BX0001/1 - 1 cell BX0002/1 - 2 cells BX0003/1 - 3 cells |
| Terminations: | 2.8 series tabs/solder tags | 4 solder tags (can be wired in series or in pairs) | 2.8 series tabs/solder tags |
| Operating Temperature: | -30°C to +70°C | -30°C to +70°C | -30°C to +70°C |
| Flammability Rating: | UL94V-0 | UL94V-0 | UL94V-0 |
| Moldings: | Glass Filled Nylon & Polyester | Glass Filled Nylon | Nylon & Glass Filled Nylon |
| Contacts: | Brass, Tin Plated Nickel Silver, clean | Phosphor Bronze, Tin Plated Nickel Silver, clean | Nickel Silver, clean Brass, Tin Plated |
| Features: | Bayonet cap with coin slot Rear support bracket | Removable loading/latching drawer | Screw on cap. Recommended torque for panel ring 1.13-1.7Nm (10-15lbf.in) |
| Notes: | Recommend 2 & 3 cell versions are supported by rear bracket | | |
| RoHS | Compliant | Compliant | Compliant |

Panel Mounting

D SIZE BATTERY HOLDER



BX0016

- 1, 2 or 3 Cells
- Flanged Panel Mount
- Bayonet/Screwdriver release



PP3 SIZE BATTERY HOLDER



BX0023

- 1 Cell
- Flanged Panel Mount
- Drawer function



PP3 SIZE BATTERY HOLDER



BX0026

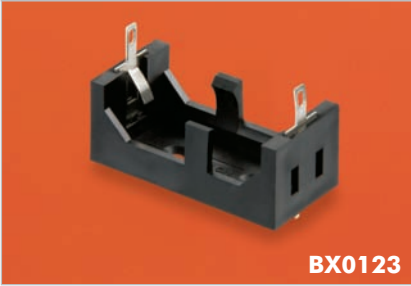
- 2 Cells
- Flanged Panel Mount
- Drawer function



| Specification | BX0016, BX0017, BX0018 | BX0023 | BX0026 |
|------------------------|-------------------------------------------------------------|-----------------------------|-----------------------------|
| Battery/Cell Type: | D (R20) | PP3 (6R61) | PP3 (6R61) |
| No. Cells: | BX0016 - 1 cell BX0017 - 2 cells BX0018 - 3 cells | 1 cell | 2 cells |
| Terminations: | 4.8 series tabs/solder tags | Solder tag | Solder tag |
| Operating Temperature: | -30°C to +70°C | -30°C to +70°C | -30°C to +70°C |
| Flammability Rating: | UL94V-0 | UL94V-0 | UL94V-0 |
| Mouldings: | Nylon & Polycarbonate | Glass Filled Nylon | Glass Filled Nylon |
| Contacts: | Brass, Nickel Plated | Phosphor Bronze, Tin Plated | Phosphor Bronze, Tin Plated |
| Features: | Bayonet cap with coin slot Rear support bracket | Removable loading drawer | Removable loading drawers |
| Notes: | Recommend 2 & 3 cell versions are supported by rear bracket | | |
| RoHS | Compliant | Compliant | Compliant |

PC/Base Mounting

CR123 SIZE BATTERY HOLDER

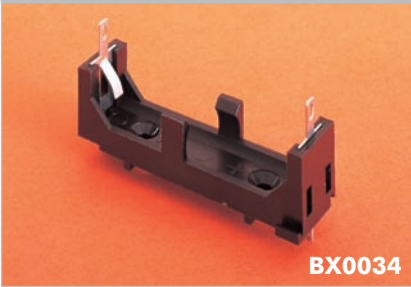


BX0123

- 1 Cell
- PC/Base Mount
- Open style



AAA SIZE BATTERY HOLDER

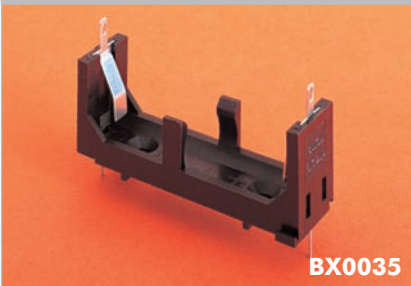


BX0034

- 1 Cell
- PC/Base Mount
- Open style



AA SIZE BATTERY HOLDER



BX0035

- 1 Cell
- PC/Base Mount
- Open style



| Specification | BX0123 | BX0034 | BX0035 |
|------------------------|-------------------------------------------------------------------------------------------------------|-------------------------------------------------------------------------------------------------------|-------------------------------------------------------------------------------------------------------|
| Battery/Cell Type: | CR123 | AAA (R03) | AA (R6) |
| No. Cells: | 1 cell | 1 cell | 1 cell |
| Terminations: | Dual connections, P.C. spills & 2.8 series tabs/solder tags. (P.C. spills may be removed if required) | Dual connections, P.C. spills & 2.8 series tabs/solder tags. (P.C. spills may be removed if required) | Dual connections, P.C. spills & 2.8 series tabs/solder tags. (P.C. spills may be removed if required) |
| Operating Temperature: | -30°C to +70°C | -30°C to +70°C | -30°C to +70°C |
| Mouldings: | Glass Filled Nylon | Glass Filled Nylon | Glass Filled Nylon |
| Contacts: | Nickel Silver, clean | Nickel Silver, clean | Nickel Silver, clean |
| Features: | | Interlocking for multiple assemblies | Interlocking for multiple assemblies |
| RoHS | Compliant | Compliant | Compliant |

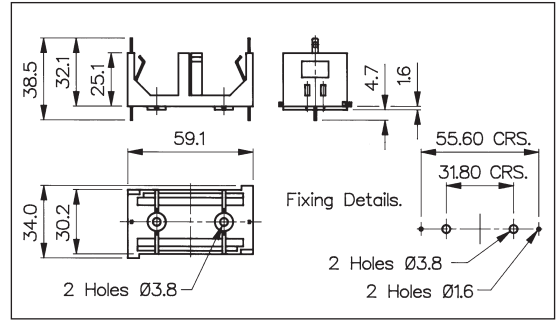
PC/Base Mounting

C SIZE BATTERY HOLDER

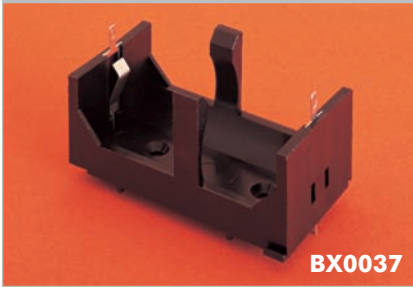


BX0036

- 1 Cell
- PC/Base Mount
- Open style

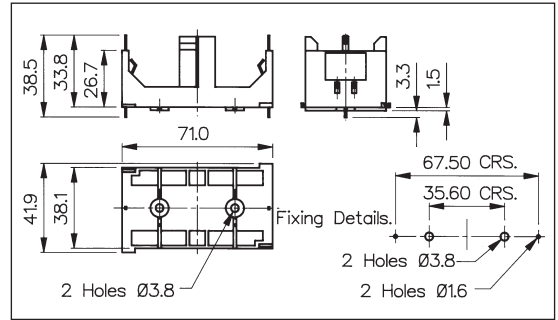


D SIZE BATTERY HOLDER



BX0037

- 1 Cell
- PC/Base Mount
- Open style

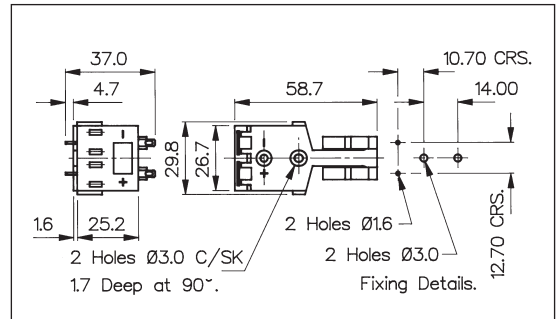


PP3 SIZE BATTERY HOLDER



BX0033

- 1 Cell
- PC/Base Mount
- Open style



| Specification | BX0036 | BX0037 | BX0033 |
|------------------------|-------------------------------------------------------------------------------------------------------|-------------------------------------------------------------------------------------------------------|-------------------------------------------------------------------------------------------------------|
| Battery/Cell Type: | C (R14) | D (R20) | PP3 (6R61) |
| No. Cells: | 1 cell | 1 cell | 1 cell |
| Terminations: | Dual connections, P.C. spills & 2.8 series tabs/solder tags. (P.C. spills may be removed if required) | Dual connections, P.C. spills & 2.8 series tabs/solder tags. (P.C. spills may be removed if required) | Dual connections, P.C. spills & 2.8 series tabs/solder tags. (P.C. spills may be removed if required) |
| Operating Temperature: | -30°C to +70°C | -30°C to +70°C | -30°C to +70°C |
| Mouldings: | Glass Filled Nylon | Glass Filled Nylon | Glass Filled Nylon |
| Contacts: | Nickel Silver, clean | Nickel Silver, clean | Nickel Silver, clean |
| Features: | Interlocking for multiple assemblies | Interlocking for multiple assemblies | |
| RoHS | Compliant | Compliant | Compliant |



Компания «ЭлектроПласт» предлагает заключение долгосрочных отношений при поставках импортных электронных компонентов на взаимовыгодных условиях!

Наши преимущества:

- Оперативные поставки широкого спектра электронных компонентов отечественного и импортного производства напрямую от производителей и с крупнейших мировых складов;
- Поставка более 17-ти миллионов наименований электронных компонентов;
- Поставка сложных, дефицитных, либо снятых с производства позиций;
- Оперативные сроки поставки под заказ (от 5 рабочих дней);
- Экспресс доставка в любую точку России;
- Техническая поддержка проекта, помощь в подборе аналогов, поставка прототипов;
- Система менеджмента качества сертифицирована по Международному стандарту ISO 9001;
- Лицензия ФСБ на осуществление работ с использованием сведений, составляющих государственную тайну;
- Поставка специализированных компонентов (Xilinx, Altera, Analog Devices, Intersil, Interpoint, Microsemi, Aeroflex, Peregrine, Syfer, Eurofarad, Texas Instrument, Miteq, Cobham, E2V, MA-COM, Hittite, Mini-Circuits, General Dynamics и др.);

Помимо этого, одним из направлений компании «ЭлектроПласт» является направление «Источники питания». Мы предлагаем Вам помощь Конструкторского отдела:

- Подбор оптимального решения, техническое обоснование при выборе компонента;
- Подбор аналогов;
- Консультации по применению компонента;
- Поставка образцов и прототипов;
- Техническая поддержка проекта;
- Защита от снятия компонента с производства.



Как с нами связаться

Телефон: 8 (812) 309 58 32 (многоканальный)

Факс: 8 (812) 320-02-42

Электронная почта: org@eplast1.ru

Адрес: 198099, г. Санкт-Петербург, ул. Калинина, дом 2, корпус 4, литера А.