

Compact, General-purpose Horizontal Switches.



Models for Microloads Added to Series

- Approved by EN, UL, CSA, and CCC (Chinese standard). (Ask your OMRON representative for information on approved models.)
- Incorporates a switch with a durable coil spring in a tough, high-precision case.
- Compact and uses a single basic switch for applications where strength is required.
- Models for microloads and models with operation indicators added to series.
- Terminal protective cover can be switched to wire cable from either the left or right.
- Sealing characteristics that meet IEC IP67 degree of protection.



For the most recent information on models that have been certified for safety standards, refer to your OMRON website.

Be sure to read *Safety Precautions* on page 7 and *Safety Precautions for All Limit Switches*.

Ordering Information

Switches

| Actuator | Type | Standard | Micro load |
|---------------------------------|------|-----------|--------------|
| | | Model | Model |
| Plunger | | SHL-D55 | SHL-D55-01 |
| Panel mount plunger | | SHL-Q55 | SHL-Q55-01 |
| Panel mount roller plunger | | SHL-Q2255 | SHL-Q2255-01 |
| Panel mount crossroller plunger | | SHL-Q2155 | SHL-Q2155-01 |
| Short hinge lever | | SHL-W55 | SHL-W55-01 |
| Hinge lever | | SHL-W155 | SHL-W155-01 |

| Actuator | Type | Standard | Micro load |
|---|------|-----------|--------------|
| | | Model | Model |
| Short hinge roller lever | | SHL-W255 | SHL-W255-01 |
| Hinge roller lever | | SHL-W2155 | SHL-W2155-01 |
| One-way action short hinge roller lever | | SHL-W355 | SHL-W355-01 |
| One-way action hinge roller lever | | SHL-W3155 | SHL-W3155-01 |

Note: Models are also available with molded terminals and with molded terminals and operation indicators. Refer to page 6.

Switches (Molded Terminal Models)

Without Operation Indicator, Lead Wired on Right

| Standard | | Micro load | |
|--|---|--|---------------------------------|
| Model | Model | Model | Model |
| SHL-D55-MR SHL-Q55-MR SHL-Q2155-MR SHL-Q2255-MR SHL-W55-MR | SHL-W155-MR SHL-W255-MR SHL-W2155-MR SHL-W355-MR | SHL-D55-01MR SHL-Q55-01MR SHL-Q2155-01MR SHL-Q2255-01MR SHL-W55-01MR | SHL-W255-01MR SHL-W2155-01MR |

Without Operation Indicator, Lead Wired on Left

| Standard | | Micro load |
|---|-----------------------------|----------------------------------|
| Model | Model | Model |
| SHL-D55-ML SHL-Q2155-ML SHL-Q2255-ML SHL-W55-ML SHL-W155-ML | SHL-W255-ML SHL-W2155-ML | SHL-Q2255-01ML SHL-W2155-01ML |

Without Operation Indicator, Lead Wired from Bottom

| Standard | | Micro load |
|--|---|----------------|
| Model | Model | Model |
| SHL-D55-MD SHL-Q55-MD SHL-Q2155-MD SHL-Q2255-MD SHL-W55-MD | SHL-W155-MD SHL-W255-MD SHL-W2155-MD SHL-W355-MD | SHL-Q2255-01MD |

Operation Indicator, Lead Wired on Right

| Standard | | Micro load |
|---|--|--|
| Model | Model | Model |
| SHL-D55-LMR SHL-Q55-LMR SHL-Q2155-LMR SHL-Q2255-LMR SHL-W155-LMR SHL-W255-LMR SHL-W2155-LMR SHL-D55-L2MR SHL-Q2255-L2MR SHL-D55-L3MR SHL-Q55-L3MR SHL-Q2155-L3MR | SHL-Q2255-L3MR SHL-W155-L3MR SHL-W255-L3MR SHL-W2155-L3MR SHL-D55-L4MR SHL-Q55-L4MR SHL-Q2155-L4MR SHL-Q2255-L4MR SHL-W255-L4MR SHL-W2155-L4MR SHL-W355-L4MR | SHL-Q2255-01LMR SHL-W255-01LMR SHL-D55-01L3MR SHL-Q2155-01L3MR SHL-Q2255-01L3MR SHL-Q2155-01L4MR SHL-Q2255-01L4MR SHL-W255-01L4MR SHL-W2155-01L4MR |

Operation Indicator, Lead Wired on Left

| Standard | | Micro load |
|---|---|--|
| Model | Model | Model |
| SHL-Q55-LML SHL-Q2255-LML SHL-W155-LML SHL-W255-LML SHL-W2155-LML SHL-Q55-L2ML SHL-Q2255-L3ML | SHL-W55-L3ML SHL-W155-L3ML SHL-W255-L3ML SHL-Q2255-L4ML SHL-W155-L4ML | SHL-W255-01LML SHL-W2155-01LML SHL-Q2255-01L3ML SHL-W255-01L4ML |

Operation Indicator, Lead Wired from Bottom

| Standard | | Micro load |
|---|---|-----------------------------------|
| Model | Model | Model |
| SHL-Q2255-LMD SHL-W255-LMD SHL-Q55-L3MD | SHL-Q2255-L4MD SHL-W255-L4MD SHL-W2155-L4MD | SHL-Q55-01LMD SHL-Q2255-01L4MD |

Specifications

Approved Standards

| Agency | Standard | File No. | Approved models |
|---------------|------------------|------------------|---|
| UL | UL508 | E76675 | General-purpose models listed on page 1. |
| CSA | CSA C22.2 No. 14 | LR45746 | |
| TÜV Rheinland | EN60947-5-1 | J50062486 | All SHL models listed in this datasheet. |
| CCC (CQC) | GB14048.5 | 2003010305072162 | Ask your OMRON representative for information on approved models. |

Ratings

| Rated voltage | Non-inductive load (A) | | | | Inductive load (A) | | | |
|----------------|------------------------|-----------|-----------|----|--------------------|----|------------|----|
| | Resistive load | | Lamp load | | Inductive load | | Motor load | |
| | NC | NO | NC | NO | NC | NO | NC | NO |
| 125 VAC | 10 | | 1.5 | | 3 | | 2.5 | |
| 250 VAC | 10 | | 1.5 | | 2 | | 1.5 | |
| 480 VAC | 2 | | – | | – | | – | |
| 8 VDC | 10 | | 2 | | 5 | | 2 | |
| 14 VDC | 10 | | 2 | | 5 | | 2 | |
| 30 VDC | 5 | | 1.5 | | 1.5 | | 1.5 | |
| 125 VDC | 0.4 | | 0.4 | | 0.05 | | 0.05 | |
| 250 VDC | 0.2 | | 0.2 | | 0.03 | | 0.03 | |
| Inrush current | NC | 15 A max. | | | | | | |
| | NO | 15 A max. | | | | | | |

- Note: 1. The above figures are for steady-state currents.
 2. Inductive loads have a power factor of 0.4 min. (AC) and a time constant of 7 ms max. (DC).
 3. Lamp load has an inrush current of 10 times the steady-state current.
 4. Motor load has an inrush current of 6 times the steady-state current.

Micro load models

| Rated voltage | Non-inductive load (A) | |
|---------------|------------------------|----|
| | Resistive load | |
| | NC | NO |
| 125 VAC | 0.1 | |
| 8 VDC | 0.1 | |
| 14 VDC | 0.1 | |
| 30 VDC | 0.1 | |

**Approved Standard Ratings
TUV (EN60947-5-1), CCC (GB14048.5)**

| Model | Category and rating | I the |
|--------------|---------------------------------------|----------------|
| SHL-□55 | AC-15 2 A/125 V DC-12 2 A/48 V | 5 A 5 A |
| SHL-□55-01 | AC-14 0.1 A/125 V DC-12 0.1 A/48 V | 0.5 A 0.5 A |
| SHL-□55-L | AC-15 2 A/125 V | 5 A |
| SHL-□55-01L | AC-14 0.1 A/125 V | 0.5 A |
| SHL-□55-01L2 | DC-12 0.1 A/12 V | 0.5 A |
| SHL-□55-L3 | DC-12 2 A/24 V | 5 A |
| SHL-□55-01L3 | DC-12 0.1 A/24 V | 0.5 A |
| SHL-□55-L4 | DC-12 2 A/24 V | 5 A |
| SHL-□55-01L4 | DC-12 0.1 A/24 V | 0.5 A |
| SHL-□55-L5 | DC-12 2 A/48 V | 5 A |
| SHL-□55-01L5 | DC-12 0.1 A/48 V | 0.5 A |

- Note: "AC-15 2 A/125 V" indicates the following.
 Application category: AC-16
 Rated operating current (Ie): 2 A
 Rated operating voltage (Ue): 125 V

**UL/CSA
A300**

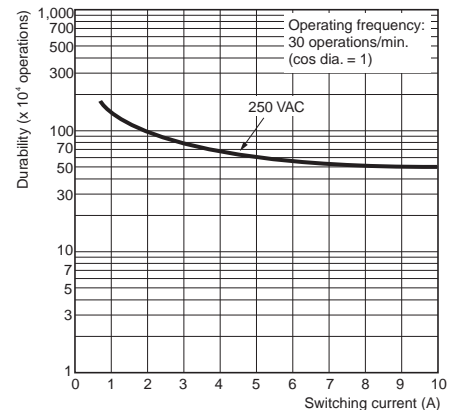
| Rated voltage | Carry current | Current (A) | | Volt-amperes (V) | |
|--------------------|---------------|-------------|--------|------------------|-------|
| | | Make | Break | Make | Break |
| 120 VAC 240 VAC | 10 A | 60 30 | 6 3 | 7,200 | 720 |

Characteristics (For SHL-W155)

| | | |
|--|--|--|
| Degree of protections | IP67 (EN60947-5-1) | |
| Durability | Mechanical | 10,000,000 operations min. |
| | Electrical | 500,000 operations min. |
| Operating speed | 0.1 mm/s to 0.5 m/s (hinge lever models) | |
| Operating frequency | Mechanical | 120 operations/min |
| | Electrical | 30 operations/min |
| Rated frequency | 50/60 Hz | |
| Insulation resistance | 100 MΩ min. (at 500 VDC) | |
| Contact resistance | 15 mΩ max. (initial value for the built-in switch when tested alone) | |
| Dielectric strength | Between terminals of the same polarity | 1,000 VAC, 50/60 Hz for 1 min |
| | Between each terminal and non-current-carrying metal part | 2,000 VAC, 50/60 Hz for 1 min/Uimp at 2.5 kV (EN60947-5-1) |
| Rated insulation voltage (Ui) | 150 V (EN60947-5-1) | |
| Pollution degree (operating environment) | 3 (EN60947-5-1) | |
| Short-circuit protective device (SCPD) | 10 A fuse type gI or gG (IEC60269) | |
| Conditional short-circuit current | 100 A (EN60947-5-1) | |
| Conventional enclosed thermal current (Ithe) | 5 A (EN60947-5-1) | |
| Protection against electric shock | Class II (grounding not required with double insulation) | |
| OFF reverse voltage | 1,000 VAC max., 300 VDC max. (EN60947-5-1) | |
| Vibration resistance | Malfunction | 10 to 55 Hz, 1.5-mm double amplitude |
| Shock resistance | Destruction | 1,000 m/s ² max. |
| | Malfunction | 300 m/s ² max. |
| Ambient operating temperature | -10°C to +80°C (with no icing) | |
| Ambient operating humidity | 35% to 95%RH | |
| Weight | Approx. 62 to 72 g | |

**Engineering Data
Electrical Durability**

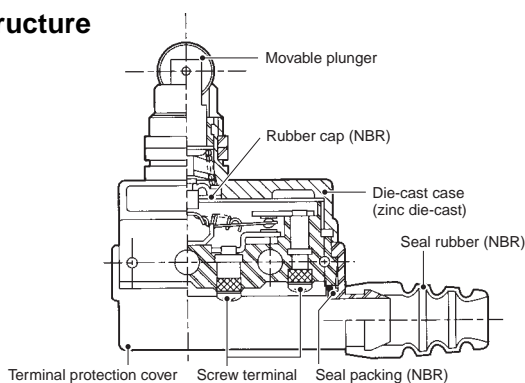
(Ambient temperature: +5°C to +35°C,
Ambient humidity: 40% to 50%RH)



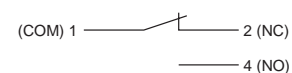
- Note: 1. The figures at the left are initial values.
 2. The ratings at the left may vary depending on the model. Contact your OMRON representative for further details.
 *1. The head section of the plunger type SHL-D(Q)□□ is excluded.
 *2. Durability values are calculated at an operating temperature of +5°C to +35°C, and an operating humidity of 40% to 70%RH.
 *3. The values are for the plunger-type models.

Structure and Nomenclature

Structure



Contact Form

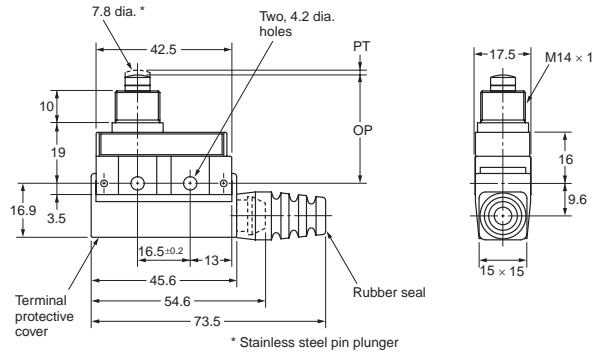
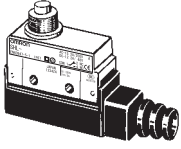


Dimensions and Operating Characteristics

(Unit: mm)

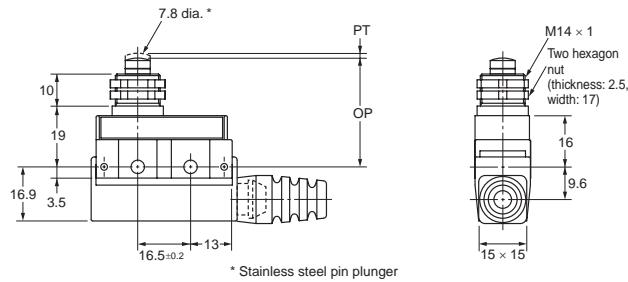
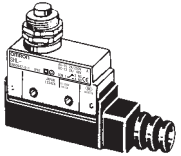
Switches (Note: Omitted dimensions are the same as those of the plunger models.)

Plunger SHL-D55 SHL-D55-01



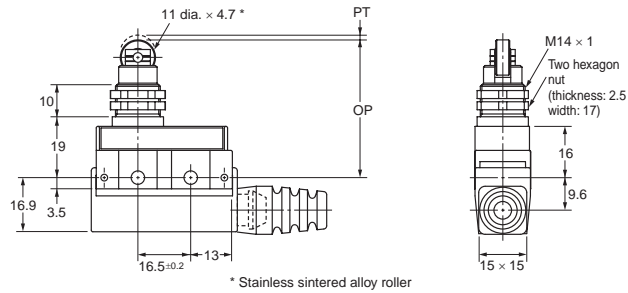
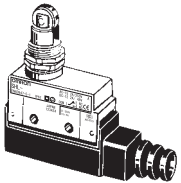
| Operating Characteristics | | Model | SHL-D55 SHL-D55-01 |
|---------------------------|----|-------|-----------------------|
| Operating force | OF | max. | 9.81 N |
| Release force | RF | min. | 1.96 N |
| Pretravel | PT | max. | 1.5 mm |
| Overtravel | OT | min. | 2 mm |
| Movement Differential | MD | max. | 0.5 mm |
| Free Position | FP | max. | – |
| Operating Position | OP | | 34±0.8 mm |

Panel Mount Plunger SHL-Q55 SHL-Q55-01



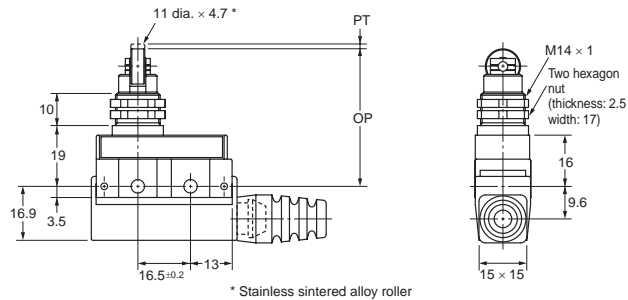
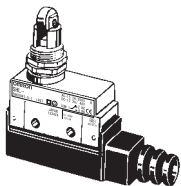
| Operating Characteristics | | Model | SHL-Q55 SHL-Q55-01 |
|---------------------------|------|-------|-----------------------|
| OF | max. | | 9.81 N |
| RF | min. | | 1.96 N |
| PT | max. | | 1.5 mm |
| OT | min. | | 2 mm |
| MD | max. | | 0.5 mm |
| FP | max. | | – |
| OP | | | 34±0.8 mm |

Panel Mount Roller Plunger SHL-Q2255 SHL-Q2255-01



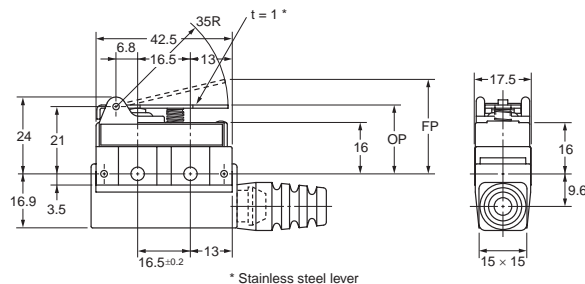
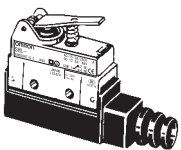
| Operating Characteristics | | Model | SHL-Q2255 SHL-Q2255-01 |
|---------------------------|------|-------|---------------------------|
| OF | max. | | 9.81 N |
| RF | min. | | 1.96 N |
| PT | max. | | 1.5 mm |
| OT | min. | | 2 mm |
| MD | max. | | 0.5 mm |
| FP | max. | | – |
| OP | | | 43±0.8 mm |

Panel Mount Crossroller Plunger SHL-Q2155 SHL-Q2155-01



| Operating Characteristics | | Model | SHL-Q2155 SHL-Q2155-01 |
|---------------------------|------|-------|---------------------------|
| OF | max. | | 9.81 N |
| RF | min. | | 1.96 N |
| PT | max. | | 1.5 mm |
| OT | min. | | 2 mm |
| MD | max. | | 0.5 mm |
| FP | max. | | – |
| OP | | | 43±0.8 mm |

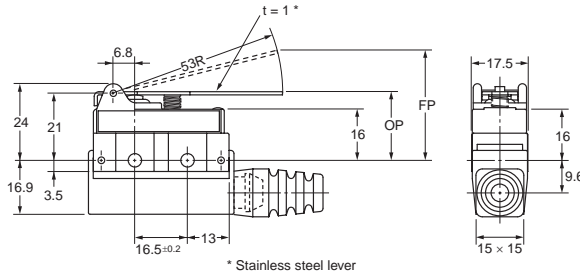
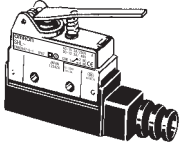
Short Hinge Lever SHL-W55 SHL-W55-01



| Operating Characteristics | | Model | SHL-W55 SHL-W55-01 |
|---------------------------|------|-------|-----------------------|
| OF | max. | | 3.14 N |
| RF | min. | | 0.78 N |
| PT | max. | | 8 mm |
| OT | min. | | 3 mm |
| MD | max. | | 2.5 mm |
| FP | max. | | 29.5 mm |
| OP | | | 21.5±1 mm |

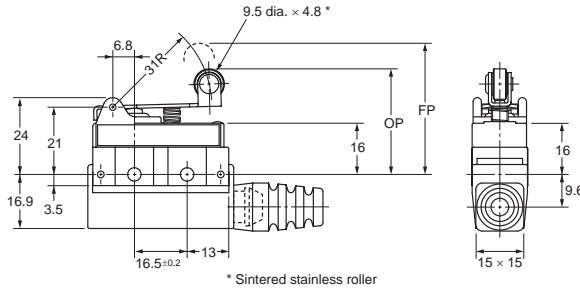
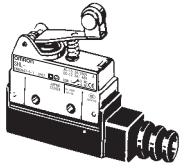
Note: Unless otherwise specified, a tolerance of ±0.4 mm applies to all dimensions.

Hinge Lever
SHL-W155
SHL-W155-01



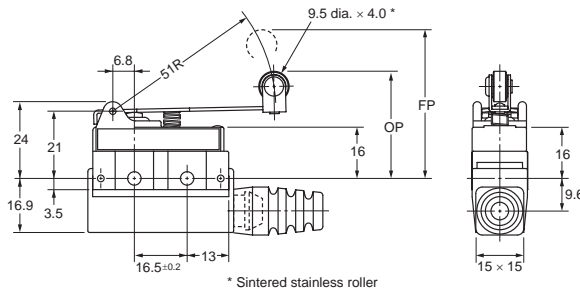
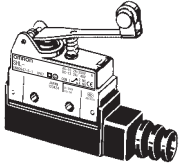
| Operating Characteristics | | Model | SHL-W155-01 |
|---------------------------|------|-------|-------------|
| OF | max. | | 2.35 N |
| RF | min. | | 0.44 N |
| PT | max. | | 13 mm |
| OT | min. | | 5 mm |
| MD | max. | | 4 mm |
| FP | max. | | 34.5 mm |
| OP | | | 21.5±1 mm |

Short Hinge Roller Lever
SHL-W255
SHL-W255-01



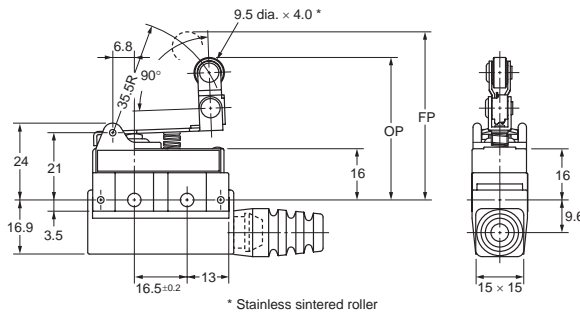
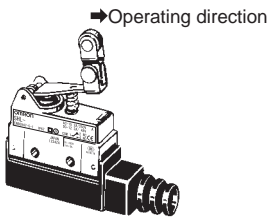
| Operating Characteristics | | Model | SHL-W255-01 |
|---------------------------|------|-------|-------------|
| OF | max. | | 3.92 N |
| RF | min. | | 0.78 N |
| PT | max. | | 8 mm |
| OT | min. | | 3 mm |
| MD | max. | | 2.5 mm |
| FP | max. | | 41 mm |
| OP | | | 33±1 mm |

Hinge Roller Lever
SHL-W2155
SHL-W2155-01



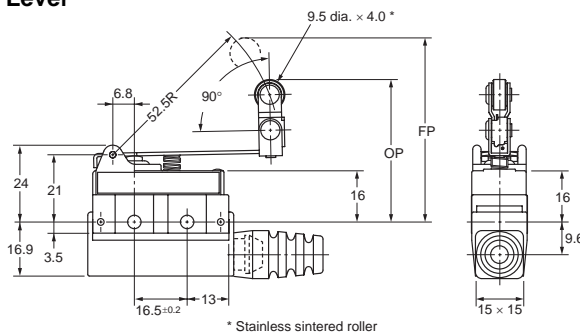
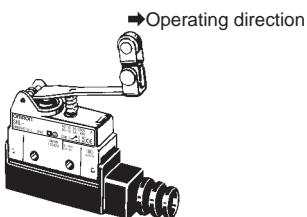
| Operating Characteristics | | Model | SHL-W2155-01 |
|---------------------------|------|-------|--------------|
| OF | max. | | 2.55 N |
| RF | min. | | 0.49 N |
| PT | max. | | 13 mm |
| OT | min. | | 5.5 mm |
| MD | max. | | 4 mm |
| FP | max. | | 46.5 mm |
| OP | | | 33.5±1 mm |

One-way Action Short Hinge Roller Lever
SHL-W355
SHL-W355-01



| Operating Characteristics | | Model | SHL-W355-01 |
|---------------------------|------|-------|-------------|
| OF | max. | | 3.92 N |
| RF | min. | | 0.78 N |
| PT | max. | | 8 mm |
| OT | min. | | 3 mm |
| MD | max. | | 2.5 mm |
| FP | max. | | 52.5 mm |
| OP | | | 44.5±1 mm |

One-way Action Hinge Roller Lever
SHL-W3155
SHL-W3155-01

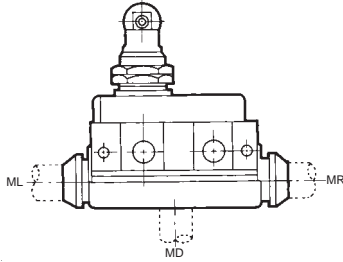


| Operating Characteristics | | Model | SHL-W3155-01 |
|---------------------------|------|-------|--------------|
| OF | max. | | 2.55 N |
| RF | min. | | 0.49 N |
| PT | max. | | 13 mm |
| OT | min. | | 5.5 mm |
| MD | max. | | 4 mm |
| FP | max. | | 57.5 mm |
| OP | | | 44.5±1 mm |

Note: Unless otherwise specified, a tolerance of ±0.4 mm applies to all dimensions.

Molded Terminal Models

Use of the molded terminal model is recommended in locations subject to excessive dust, oil drips, or moisture. All types of SHL Switches can be fabricated into a molded terminal version. In this case, the molded terminal model will have the same dimensions and operating characteristics as the basic model from which the molded terminal model is fabricated.



Suffix by Location of Lead Outlet

| Location of lead outlet (Refer to left figure) | Model (suffix) | |
|--|----------------|-------------|
| | Terminal | COM, NC, NO |
| Right-hand | -MR | |
| Left-hand | -ML | |
| Underside | -MD | |

Note: The above suffixes can be added to the model numbers given on page 1 to specify molded terminals.

How to order

Example:

Basic type: SHL-Q2255
 Location of lead outlet: Right side
 Length of lead: 3 m (V.C.T.F. lead)
 When placing your order for the above Switch specify the model number as SHL-Q2255-MR VCTF 3M.

Lead Supplies

| Leads | Specifications | VCTF (Vinyl cabtire cable) |
|---|----------------|------------------------------------|
| Nominal cross-sectional area (mm ²) | | 0.75 |
| No. of conductors/cond. dia. | | 30/0.18 |
| External diameter (mm) | | 3-conductor 7 dia. |
| Terminal connections | | Black: COM White: NO Red: NC |
| Length (m) | | 3 (standard) |

Operation Indicator-equipped Models

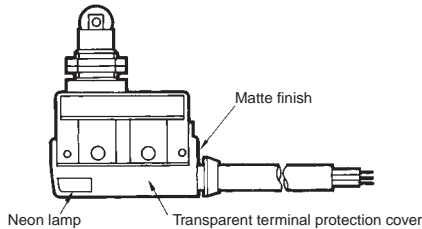
The molded terminal model may be equipped with an operation indicator (neon lamp or LED) upon request to facilitate maintenance and inspection.

The operation indicator is designed to illuminate when the Switch is not operating. (Because of the molded terminal model, any change to the Switch wiring cannot be made.)

Note: Refer to the previous table for model numbers for Switch with molded terminals and operation indicators.

For AC

- The applicable voltage is 90 to 250 VAC (microload models: 90 to 125 VAC).



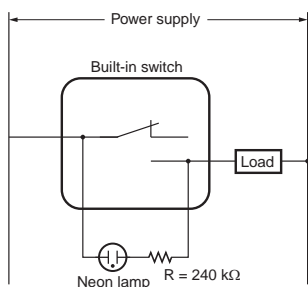
- Operating characteristics are the same as the basic model from which the operation indicator equipped model is fabricated.
- Dimension are the same as the standard model.

Example:

Basic type: SHL-Q2255-MR

When placing your order for the molded terminal model with an neon lamp operation indicator, specify the model number as SHL-Q2255-LMR.

Contact Circuit



For DC

- LED indicator is provided.
- As a rectifier stack is incorporated, into the unit and no directionality exists for connection of + and -, this type can also be operated on AC.
- The voltage specifications are given below.
- Voltage ratings of LED indicators are as shown in the table below.

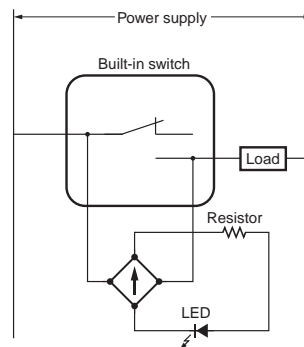
| Model | Voltage rating (V) | Leakage current (mA) | Internal resistance (kΩ) |
|-------|--------------------|----------------------|--------------------------|
| L2 | 12 | Approx. 2.4 | 4.3 |
| L3 | 24 | Approx. 2 | 10 |
| L4 | 24 | Approx. 1.2 | 18 |

Example:

Basic type: SHL-Q2255-MR

When placing your order for the molded terminal with an LED indicator rated at 12 V, specify the model number as SHL-Q2255-L2MR.

Contact Circuit



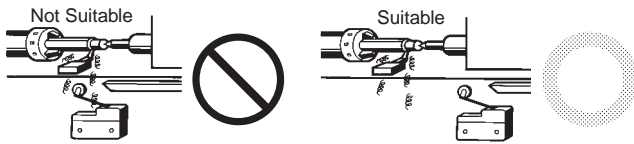
Safety Precautions

Refer to *Safety Precautions for All Limit Switches*.

Precautions for Correct Use

Operating Environment

- Seal material may deteriorate if a Switch is used outdoor or where subject to special cutting oils, solvents, or chemicals. Always appraise performance under actual application conditions and set suitable maintenance and replacement periods.
- Install Switches where they will not be directly subject to cutting chips, dust, or dirt. The Actuator and Switch must also be protected from the accumulation of cutting chips or sludge.



- Constantly subjecting a Switch to vibration or shock can result in wear, which can lead to contact interference with contacts, operation failure, reduced durability, and other problems. Excessive vibration or shock can lead to false contact operation or damage. Install Switches in locations not subject to shock and vibration and in orientations that will not produce resonance.
- The Switches have physical contacts. Using them in environments containing silicon gas will result in the formation of silicon oxide (SiO₂) due to arc energy. If silicon oxide accumulates on the contacts, contact interference can occur. If silicon oil, silicon filling agents, silicon cables, or other silicon products are present near the Switch, suppress arcing with contact protective circuits (surge killers) or remove the source of silicon gas.

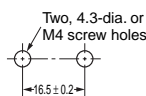
Connections

Be sure to connect a fuse with a breaking current 1.5 to 2 times the rated current to the Limit Switch in series in order to protect the Limit Switch from damage due to short-circuiting. When using the Limit Switch under the EN ratings, use a gl or gG 10-A fuse that conforms to IEC60269.

Mounting

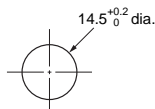
- Secure the Switch with two M4 screws and washers. The tightening torque applied to each terminal must be 1.18 to 1.37 N·m. Tighten the screws to the specified torque. An excessive tightening torque may damage the Switch and cause a malfunction.
- When mounting the panel mount-type Switch with screws on a side surface, remove the hexagonal nuts from the actuator.

Mounting Holes



- When mounting the panel mount type (SHL-Q55, SHL-Q2255, or SHL-Q2155) on a panel, tighten the hexagonal nuts of the actuator to a torque less than 4.90 to 7.84 N·m.

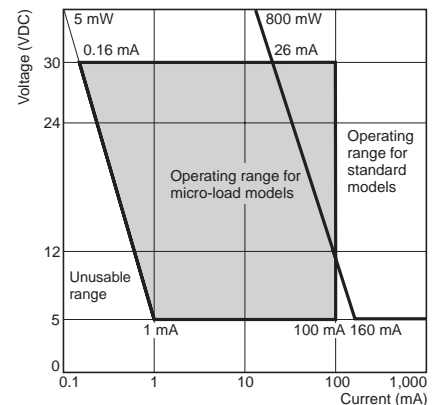
Mounting Holes



Micro Load Models

When using a Limit Switch for opening or closing micro-load circuit (zones 1 through 3), contact failure may occur if a Limit Switch with ordinary contact specifications is used. Therefore, when using Limit Switches in the micro-load range, use ones with contact specifications that are suited to each zone. Use the SHL-□-01 micro load models within the zones (1 through 3) shown in the following diagram.

Micro Load Applicable Ranges



The above diagram is for standard conditions (+5°C to +35°C, 40% to 70%RH). Since the values vary depending on the operating environment conditions, contact your OMRON representative for further details.

Tightening Torque

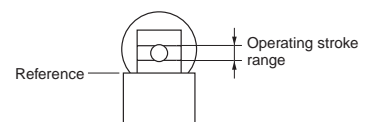
- A loose screw may result in a malfunction. Be sure to tighten each screw to the proper tightening torque as shown below.

| No. | Type | Appropriate tightening torque |
|-----|---------------------------|-------------------------------|
| 1 | Terminal screw (M3 screw) | 0.24 to 0.44 N·m |
| 2 | Mounting screw (M4 screw) | 1.18 to 1.37 N·m |

- When wiring, use M3 round solderless terminals and apply insulation shielding to the connections. Tighten the terminals screws to 0.24 to 0.44 N·m.

Operating Stroke

Ensure that the operating stroke for roller plunger models is within the set position display.



Others

The standard seal rubber for the lead wire outlet is one that allows 6- to 8-dia. cables. The appropriate nominal cross-section of the lead wire is 0.75 mm². (When the sealing capability is required over a long period of time, use mold specifications.)

Terms and Conditions Agreement

Read and understand this catalog.

Please read and understand this catalog before purchasing the products. Please consult your OMRON representative if you have any questions or comments.

Warranties.

(a) Exclusive Warranty. Omron's exclusive warranty is that the Products will be free from defects in materials and workmanship for a period of twelve months from the date of sale by Omron (or such other period expressed in writing by Omron). Omron disclaims all other warranties, express or implied.

(b) Limitations. OMRON MAKES NO WARRANTY OR REPRESENTATION, EXPRESS OR IMPLIED, ABOUT NON-INFRINGEMENT, MERCHANTABILITY OR FITNESS FOR A PARTICULAR PURPOSE OF THE PRODUCTS. BUYER ACKNOWLEDGES THAT IT ALONE HAS DETERMINED THAT THE PRODUCTS WILL SUITABLY MEET THE REQUIREMENTS OF THEIR INTENDED USE.

Omron further disclaims all warranties and responsibility of any type for claims or expenses based on infringement by the Products or otherwise of any intellectual property right. (c) Buyer Remedy. Omron's sole obligation hereunder shall be, at Omron's election, to (i) replace (in the form originally shipped with Buyer responsible for labor charges for removal or replacement thereof) the non-complying Product, (ii) repair the non-complying Product, or (iii) repay or credit Buyer an amount equal to the purchase price of the non-complying Product; provided that in no event shall Omron be responsible for warranty, repair, indemnity or any other claims or expenses regarding the Products unless Omron's analysis confirms that the Products were properly handled, stored, installed and maintained and not subject to contamination, abuse, misuse or inappropriate modification. Return of any Products by Buyer must be approved in writing by Omron before shipment. Omron Companies shall not be liable for the suitability or unsuitability or the results from the use of Products in combination with any electrical or electronic components, circuits, system assemblies or any other materials or substances or environments. Any advice, recommendations or information given orally or in writing, are not to be construed as an amendment or addition to the above warranty.

See <http://www.omron.com/global/> or contact your Omron representative for published information.

Limitation on Liability; Etc.

OMRON COMPANIES SHALL NOT BE LIABLE FOR SPECIAL, INDIRECT, INCIDENTAL, OR CONSEQUENTIAL DAMAGES, LOSS OF PROFITS OR PRODUCTION OR COMMERCIAL LOSS IN ANY WAY CONNECTED WITH THE PRODUCTS, WHETHER SUCH CLAIM IS BASED IN CONTRACT, WARRANTY, NEGLIGENCE OR STRICT LIABILITY.

Further, in no event shall liability of Omron Companies exceed the individual price of the Product on which liability is asserted.

Suitability of Use.

Omron Companies shall not be responsible for conformity with any standards, codes or regulations which apply to the combination of the Product in the Buyer's application or use of the Product. At Buyer's request, Omron will provide applicable third party certification documents identifying ratings and limitations of use which apply to the Product. This information by itself is not sufficient for a complete determination of the suitability of the Product in combination with the end product, machine, system, or other application or use. Buyer shall be solely responsible for determining appropriateness of the particular Product with respect to Buyer's application, product or system. Buyer shall take application responsibility in all cases.

NEVER USE THE PRODUCT FOR AN APPLICATION INVOLVING SERIOUS RISK TO LIFE OR PROPERTY OR IN LARGE QUANTITIES WITHOUT ENSURING THAT THE SYSTEM AS A WHOLE HAS BEEN DESIGNED TO ADDRESS THE RISKS, AND THAT THE OMRON PRODUCT(S) IS PROPERLY RATED AND INSTALLED FOR THE INTENDED USE WITHIN THE OVERALL EQUIPMENT OR SYSTEM.

Programmable Products.

Omron Companies shall not be responsible for the user's programming of a programmable Product, or any consequence thereof.

Performance Data.

Data presented in Omron Company websites, catalogs and other materials is provided as a guide for the user in determining suitability and does not constitute a warranty. It may represent the result of Omron's test conditions, and the user must correlate it to actual application requirements. Actual performance is subject to the Omron's Warranty and Limitations of Liability.

Change in Specifications.

Product specifications and accessories may be changed at any time based on improvements and other reasons. It is our practice to change part numbers when published ratings or features are changed, or when significant construction changes are made. However, some specifications of the Product may be changed without any notice. When in doubt, special part numbers may be assigned to fix or establish key specifications for your application. Please consult with your Omron's representative at any time to confirm actual specifications of purchased Product.

Errors and Omissions.

Information presented by Omron Companies has been checked and is believed to be accurate; however, no responsibility is assumed for clerical, typographical or proofreading errors or omissions.

2013.11

In the interest of product improvement, specifications are subject to change without notice.

OMRON Corporation
Industrial Automation Company

<http://www.ia.omron.com/>

(c)Copyright OMRON Corporation 2013 All Right Reserved.



Компания «ЭлектроПласт» предлагает заключение долгосрочных отношений при поставках импортных электронных компонентов на взаимовыгодных условиях!

Наши преимущества:

- Оперативные поставки широкого спектра электронных компонентов отечественного и импортного производства напрямую от производителей и с крупнейших мировых складов;
- Поставка более 17-ти миллионов наименований электронных компонентов;
- Поставка сложных, дефицитных, либо снятых с производства позиций;
- Оперативные сроки поставки под заказ (от 5 рабочих дней);
- Экспресс доставка в любую точку России;
- Техническая поддержка проекта, помощь в подборе аналогов, поставка прототипов;
- Система менеджмента качества сертифицирована по Международному стандарту ISO 9001;
- Лицензия ФСБ на осуществление работ с использованием сведений, составляющих государственную тайну;
- Поставка специализированных компонентов (Xilinx, Altera, Analog Devices, Intersil, Interpoint, Microsemi, Aeroflex, Peregrine, Syfer, Eurofarad, Texas Instrument, Miteq, Cobham, E2V, MA-COM, Hittite, Mini-Circuits, General Dynamics и др.);

Помимо этого, одним из направлений компании «ЭлектроПласт» является направление «Источники питания». Мы предлагаем Вам помощь Конструкторского отдела:

- Подбор оптимального решения, техническое обоснование при выборе компонента;
- Подбор аналогов;
- Консультации по применению компонента;
- Поставка образцов и прототипов;
- Техническая поддержка проекта;
- Защита от снятия компонента с производства.



Как с нами связаться

Телефон: 8 (812) 309 58 32 (многоканальный)

Факс: 8 (812) 320-02-42

Электронная почта: org@eplast1.ru

Адрес: 198099, г. Санкт-Петербург, ул. Калинина, дом 2, корпус 4, литера А.