

GENERAL SPECIFICATIONS FOR SB25, SB60s, SB221s, SB265

Electrical Capacity (Resistive Load)

Power Level: Shown in the following tables

Other Ratings

Contact Resistance:	10 milliohms maximum
Insulation Resistance:	200 megohms minimum @ 500V DC for SB221s, SB25, & SB265; 1,000 megohms minimum @ 500V DC for SB60s.
Dielectric Strength:	1,500V AC minimum for SB265 & SB25 for 1 minute minimum; 2,000V AC minimum between contacts for SB221s & SB60s for 1 minute minimum; 1,500V AC minimum between contacts & case for SB221s & SB60s for 1 minute minimum
Mechanical Life:	50,000 operations minimum for SB221s; 30,000 operations minimum for SB25, SB60s, SB265
Electrical Life:	10,000 operations minimum
Total Travel:	SB221s .116" (2.95mm); SB60s .094" (2.4mm); SB265 .213" (5.4mm); SB25 .195" (4.95mm)
Operating Temp Range:	-10°C through +70°C (+14°F through +158°F)

Materials & Finishes

Cap:	Polybutylene terephthalate (PBT) (AT414)
Plunger:	Polyacetal or brass with nickel plating
Bushing:	Brass with nickel plating
Case:	Phenolic resin or melamine phenolic resin
Case Cover:	Steel with zinc plating
Movable & Stationary Contacts:	Copper with silver plating for SB221s; silver alloy with silver plating for SB25, SB60s, & SB265
Terminals:	Copper with tin plating for SB25 & SB60s; copper with silver plating for SB265



Installation

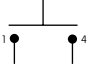

Soldering Time & Temp: Manual Soldering (Solder Lug): See Profile A in Supplement section.

Standards & Certifications

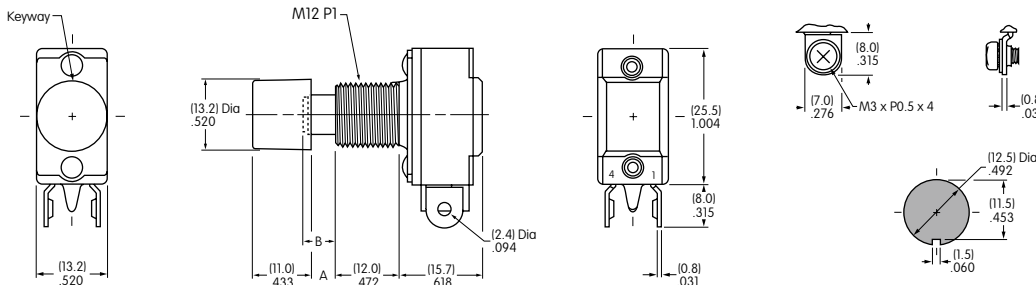
- UL: File No. E44145 - Recognized only when ordered with marking on switch.**
Add "/U" or "/CUL" to end of part number to order UL recognized switch.
UL or cULus recognition designated beside part numbers on following pages.
See Supplement section to find UL or cULus rating details.
- CSA: File No. 023535_0_000 - Certified only when ordered with marking on switch.**
Add "/C" to end of part number to order CSA certified switch.
CSA certification designated beside part numbers on following pages.
See Supplement section to find CSA rating details.

SINGLE POLE WITH SOLDER LUG * OR SCREW LUG

* UL, cULus & CSA recognized only when ordered with marking on switch (see General Specs)			Pushbutton Position/Connected Terminals () = Momentary		Electrical Capacity (Resistive)	
Model	* Approvals UL cULus SP	Pole & Throw	Normal 	Down 	AC 125V	AC 250V
SB221NO	— — ✓	SPST	OFF —	(ON) 1-4	3A	1.5A
SB221NC	✓ — ✓	SPST	ON 1-4	(OFF) —	3A	1.5A
SB221TNO	— — ✓	SPST	OFF —	(ON) 1-4	3A	1.5A
SB221TNC	✓ — ✓	SPST	ON 1-4	(OFF) —	3A	1.5A

Suffix T = Screw Lug **Throw & Schematic:** SPST SB221NO  SPST SB221NC  Note: Terminal numbers are actually on the switch.

Notes: Standard Hardware: AT504M Knurled Nut, AT508 Lockwasher, AT527M Hex Backup Nut. See Accessories & Hardware section.
* Wire harness & cable assemblies offered only in Americas.





Dimension A: .185" (4.7mm) for NO model & .150" (3.8mm) for NC model.
Dimension B Plunger Extension: .197" (5.0mm) for NO model & .161" (4.1mm) for NC model.

Panel Thickness .193" (4.9mm)



SB221NO
Supplied with AT414 Black Cap

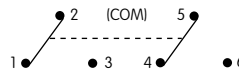
DOUBLE POLE WITH SOLDER LUG *

* UL & cULus recognized only when ordered with marking on switch (see General Specs)			Pushbutton Position/Connected Terminals () = Momentary		Electrical Capacity (Resistive)	
Model	* Approvals UL cULus SP	Pole & Throw	Normal 	Down 	AC 125V	AC 250V
SB61A	✓ — ✓	DPDT	ON 2-3 5-6	(ON) 2-1 5-4	10A	5A
SB61B	— — —	DPDT	ON 2-3 5-6	(ON) 2-1 5-4	3A	1.5A
SB63A	— — —	DPDT	ON 2-3 5-6	(ON) or Lockdown ON 2-1 5-4	10A	5A

Lockdown for SB63A is achieved by actuating and then turning the button clockwise.

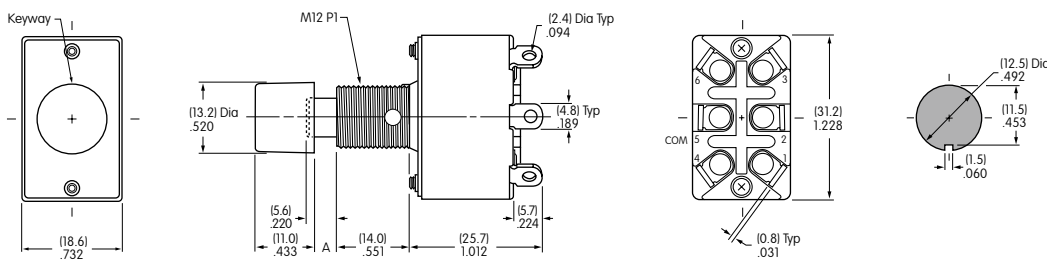
Throw & Schematic:

DPDT



Note: Terminal numbers are actually on the switch.

Notes: Standard Hardware: AT504M Knurled Nut, AT508 Lockwasher, AT527M Hex Backup Nut. See Accessories & Hardware section.
* Wire harness & cable assemblies offered only in Americas.



Dimension A: .169" (4.3mm) for SB61 model and .130" (3.3mm) for SB63 model.

Panel Thickness .193" (4.9mm)



SB61A
Supplied with AT414 Black Cap

Toggles

Rockers

Pushbuttons

Illuminated PB

Programmable

Keylocks

Rotaries

Slides

Tactiles

Tilt

Touch

Indicators

Accessories

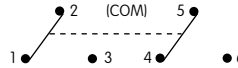
Supplement

DOUBLE POLE WITH SOLDER LUG *

* UL, cULus & CSA recognized only when ordered with marking on switch (see General Specs)			Pushbutton Position/Connected Terminals () = Momentary		Electrical Capacity (Resistive)	
Model	* Approvals	Pole & Throw	Normal	Down	AC 125V	AC 250V
SB25		DPDT	ON	ON	15A	9A

Throw & Schematic:

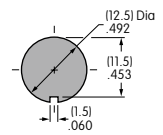
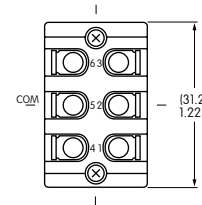
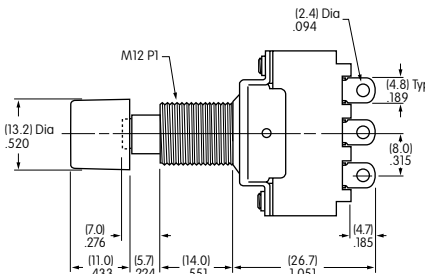
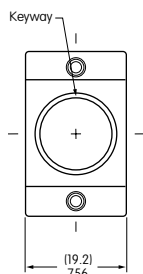
DPDT



Note: Terminal numbers are actually on the switch.

Notes: Standard Hardware: AT504M Knurled Nut, AT508 Lockwasher, AT527M Hex Backup Nut. See Accessories & Hardware section.

* Wire harness & cable assemblies offered only in Americas.



SB25

Supplied with AT414 Black Cap

Panel Thickness .193" (4.9mm)

SINGLE POLE WITH SOLDER LUG *

* UL, cULus & CSA recognized only when ordered with marking on switch (see General Specs)			Pushbutton Position/Connected Terminals () = Momentary		Electrical Capacity (Resistive)	
Model	* Approvals	Pole & Throw	Normal	Down	AC 125V	AC 250V
SB265		SPST	ON	OFF	6A	3A

Throw & Schematic:

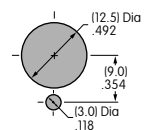
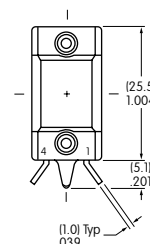
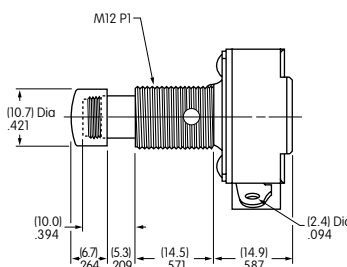
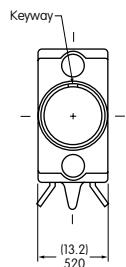
SPST



Note: Terminal numbers are actually on the switch.

Notes: Standard Hardware: AT504M Knurled Nut, AT508 Lockwasher, AT527M Hex Backup Nut. See Accessories & Hardware section.

* Wire harness & cable assemblies offered only in Americas.



SB265

Supplied with Chrome Plated Brass Cap

Panel Thickness .291" (7.4mm)



Компания «ЭлектроПласт» предлагает заключение долгосрочных отношений при поставках импортных электронных компонентов на взаимовыгодных условиях!

Наши преимущества:

- Оперативные поставки широкого спектра электронных компонентов отечественного и импортного производства напрямую от производителей и с крупнейших мировых складов;
- Поставка более 17-ти миллионов наименований электронных компонентов;
- Поставка сложных, дефицитных, либо снятых с производства позиций;
- Оперативные сроки поставки под заказ (от 5 рабочих дней);
- Экспресс доставка в любую точку России;
- Техническая поддержка проекта, помощь в подборе аналогов, поставка прототипов;
- Система менеджмента качества сертифицирована по Международному стандарту ISO 9001;
- Лицензия ФСБ на осуществление работ с использованием сведений, составляющих государственную тайну;
- Поставка специализированных компонентов (Xilinx, Altera, Analog Devices, Intersil, Interpoint, Microsemi, Aeroflex, Peregrine, Syfer, Eurofarad, Texas Instrument, Miteq, Cobham, E2V, MA-COM, Hittite, Mini-Circuits, General Dynamics и др.);

Помимо этого, одним из направлений компании «ЭлектроПласт» является направление «Источники питания». Мы предлагаем Вам помощь Конструкторского отдела:

- Подбор оптимального решения, техническое обоснование при выборе компонента;
- Подбор аналогов;
- Консультации по применению компонента;
- Поставка образцов и прототипов;
- Техническая поддержка проекта;
- Защита от снятия компонента с производства.



Как с нами связаться

Телефон: 8 (812) 309 58 32 (многоканальный)

Факс: 8 (812) 320-02-42

Электронная почта: org@eplast1.ru

Адрес: 198099, г. Санкт-Петербург, ул. Калинина, дом 2, корпус 4, литера А.