

Analog Signal Input Monaural Class D Power Amplifier

■ GENERAL DESCRIPTION

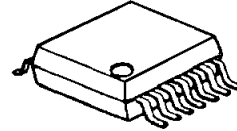
The **NJU8754** is an analog signal input monaural class D power amplifier. The **NJU8754** includes Inversion operational amplifier input circuit, PWM modulator, an output-short protector and a low voltage detector. The **NJU8754** incorporates BTL amplifier, which eliminate AC coupling capacitors, capable of driving up to 0.6W at 3.6V supply voltage with simple external LC low-pass filters.

The **NJU8754** features high power-efficiency by class-D operation and very small package, and is suited for cellular phone, PDA, etc.

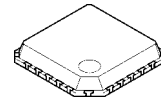
■ FEATURES

- Operating Voltage :2.7 to 5.25V
- Monaural Analog Signal Input
- Monaural BTL Output :1.2W at 5V into 8Ohms
:0.6W at 3.6V into 8Ohms
- Standby(Hi-Z), Mute Control
- Built-in Short Protector
- Built-in Low Voltage Detector
- CMOS Technology
- Package Outline :SSOP10, QFN20-M1

■ PACKAGE OUTLINE

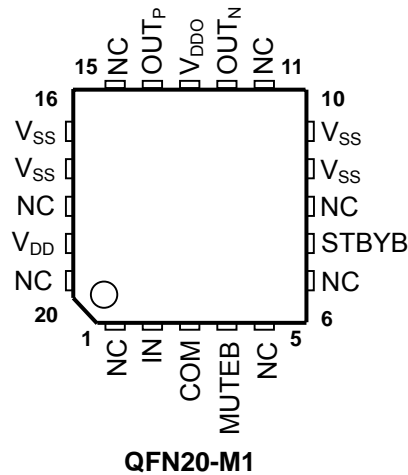
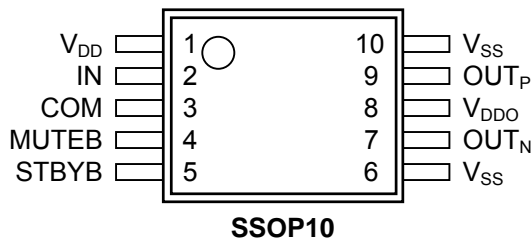


NJU8754V



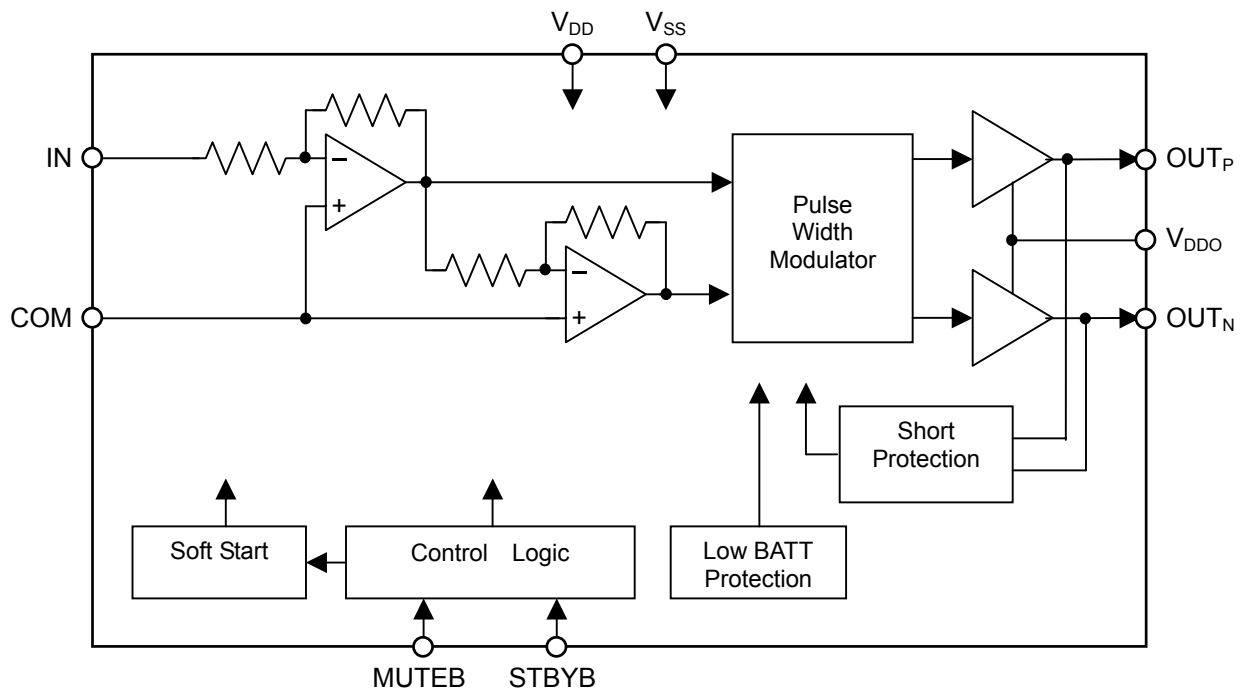
NJU8754KM1

■ PIN CONFIGURATION



NJU8754

■ BLOCK DIAGRAM



■ PIN DESCRIPTION

No.		SYMBOL	I/O	FUNCTION
SSOP10	QFN20-M1			
1	19	V_{DD}	–	Power supply : $V_{DD}=3.6V$
2	2	IN	I	Signal input
3	3	COM	–	Analog common
4	4	MUTE_B	I	Mute control Low : Mute ON High : Mute OFF
5	7	STBY_B	I	Standby control Low : Standby ON High : Standby OFF
6, 10	9,10, 6,17	V_{SS}	–	Power GND : $V_{SS}=0V$
7	12	OUT_N	O	Negative output
8	13	V_{DDO}	–	Output power supply
9	14	OUT_P	O	Positive output
–	1,5,6,8, 11,15,18,20	NC	–	Non connection

*The relations of " $V_{SS}=0V$ " and " $V_{DD}=V_{DDO}$ " must be maintained.

* V_{SS} (SSOP10:Terminal No.6,10, QFN20-M1:Terminal No.9,10,16,17) should be connected at a nearest point to the IC.

* V_{DDO} (SSOP10:Terminal No.8, QFN20-M1:Terminal No.13) should be connected at a nearest point to the IC.

*MUTE_B(SSOP10, QFN20-M1:Terminal No.4) and STBY_B(SSOP10:Terminal No.5, QFN20-M1:Terminal No.7) must be connected to V_{DD} , when these terminals are not used.

■ FUNCTIONAL DESCRIPTION

(1) Signal Output

The OUT_P and OUT_N generate PWM output signal, which will be converted to analog signal via external 2nd-order or higher LC filter. A switching regulator with a high response against a voltage fluctuation is the best selection for the V_{DDO} , which is the power supply for output driver. To obtain better T.H.D. performance, the stabilization of the power is required.

(2) Standby

By setting the STBYB terminal to "L", the standby mode is enabled. In the standby mode, the entire functions of the **NJU8754** enter a low-power state, and the output terminals(OUT_P and OUT_N) are in high impedance.

(3) Mute

By setting the MUTEB terminal to "L", the Mute function is enabled, and the output terminals(OUT_P and OUT_N) output square wave(Duty: 50%).

(4) Low Voltage Detector

When the power supply voltage drops down to below $V_{DD}(\text{MIN})$, the internal oscillation is halted not to generate unwanted frequency, and the output terminals(OUT_P and OUT_N) become in high impedance.

(5) Short Protection Circuit

The short protector, which protects the **NJU8754** from high short-circuit current, turns off the output driver. After about 5 seconds from the protection, the **NJU8754** returns to normal operation. The short protector is enabled in response to following accidents.

Short between OUT_P and OUT_N
Short between OUT_P and V_{SS}
Short between OUT_N and V_{SS}

Note 1) The detectable current and the period for the protection depend on the power supply voltage and ambient temperature.

Note 2) The short protector is not effective for a long term short-circuit but for an instantaneous accident. Continuous high-current may cause permanent damage to **NJU8754**.

■ ABSOLUTE MAXIMUM RATINGS

(Ta=25°C)

PARAMETER	SYMBOL	RATING	UNIT
Supply Voltage	V _{DD}	-0.3 to +5.5	V
	V _{DDO}	-0.3 to +5.5	V
Input Voltage	V _{in}	-0.3 to V _{DD} +0.3	V
Operating Temperature	T _{opr}	-40 to +85	°C
Storage Temperature	T _{stg}	-40 to +125	°C
Power Dissipation	P _D	360 (SSOP10)	mW
		620 (QFN20-M1)	

* : Mounted on two-layer board of based on the JEDEC.

Note 1) All voltage are relative to “V_{SS}= 0V” reference.

Note 2) The LSI must be used inside of the “Absolute maximum ratings”. Otherwise, a stress may cause permanent damage to the LSI.

Note 3) De-coupling capacitors for V_{DD}-V_{SS} and V_{DDO}-V_{SS} should be connected for stable operation.

Note 4) Power Dissipation

The class-D amplifiers are more power efficient, and dissipate power less than general analog-amplifiers. In theory, the **NJU8754** actualize quite high output-power such as 1.2W at =5V operation with 8ohms load, it looks as if the **NJU8754** exceeds the absolute maximum rating of the power dissipation. However, in practice, the effective output-power of usual music sound is only about 1/10 of its maximum output power, thus it may never exceed the absolute maximum rating.

The maximum power dissipation in the system is calculated, as shown below.

$$P_{dmax}(W) = (T_{jmax}(°C) - T_a(°C)) / \theta_{ja}$$

P_{dmax}: Maximum Power Dissipation, T_{jmax}: Junction Temperature = 125°C

T_a: Ambient Temperature, θ_{ja} : Thermal Resistance of package(SSOP10) = 400°C/W

Power dissipation of the **NJU8754** itself is calculated, as shown below.

$$P_d(W) = P_o(W) \times R_o(\Omega) / R_L(\Omega) + P_{d_{ic}}(W)$$

P_d: Power Dissipation, P_o: Output Power, R_o: Internal Resistance(output driver)

R_L: Load Resistance, P_{d_{ic}}: Power of internal circuit

■ ELECTRICAL CHARACTERISTICS

(Ta=25°C, V_{DD}=V_{D_{DDO}}= 3.6V, V_{SS}= 0V, Input Signal=1kHz,
Input Signal Level=200mVrms, Frequency Band=20Hz to 20kHz,
Load Impedance=8Ω, 2nd-order 34kHz LC Filter(Q=0.85))

PARAMETER	SYMBOL	CONDITIONS	MIN	TYP	MAX	UNIT	Note
V _{DD} ,V _{D_{DDO}} Supply Voltage	V _{DD}		2.7	3.6	5.25	V	
Input Impedance	Z _{IN}	IN terminal	-	20	-	kΩ	
Voltage Gain	A _V		-	23	-	dB	
Output Power Efficiency	E _{eff}	Output THD=10%	80	83	-	%	4
Output THD	THD	V _{DD} =V _{D_{DDO}} =5.0V, Po=600mW		0.05	0.08	%	
		V _{DD} =V _{D_{DDO}} =3.6V, Po=300mW		0.07	0.1		
Output Power	P _o	V _{DD} =V _{D_{DDO}} =5.0V Output THD=10%		1.2		W	
		V _{DD} =V _{D_{DDO}} =3.6V Output THD=10%		0.6			
S/N	SN	A weight	75	80	-	dB	
Operating Current (Standby)	I _{ST}		-	-	1	μA	
Operating Current (No signal input)	I _{DD}	V _{DD} =V _{D_{DDO}} =5.0V No Filter, No Load		4	6	mA	
		V _{DD} =V _{D_{DDO}} =3.6V No Filter, No Load		2.5	5		
Input Voltage	V _{IH}	MUTE _B , STBY _B terminals	0.7V _{DD}	-	V _{DD}	V	
	V _{IL}	MUTE _B , STBY _B terminals	0	-	0.3V _{DD}	V	
Input Leakage Current	I _{LK}	MUTE _B , STBY _B terminals	-	-	±0.1	μA	

Note 5) Test system of the output THD and S/N

The output THD and S/N are tested in the system shown in Figure1, where a 2nd-order LC LPF and another filter incorporated in an audio analyzer are used.

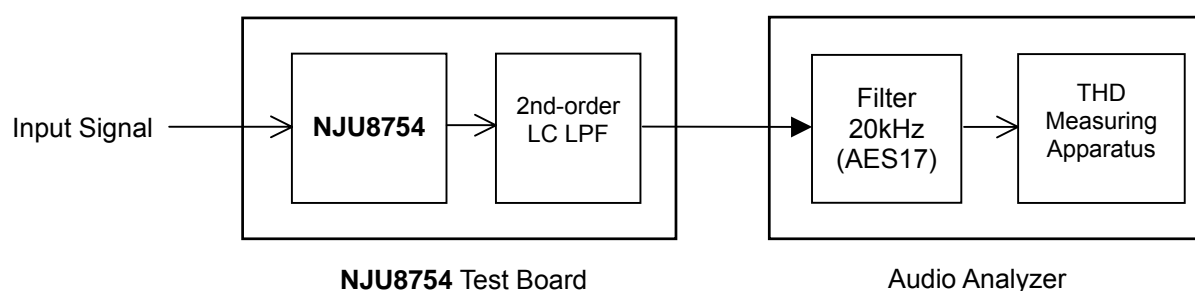


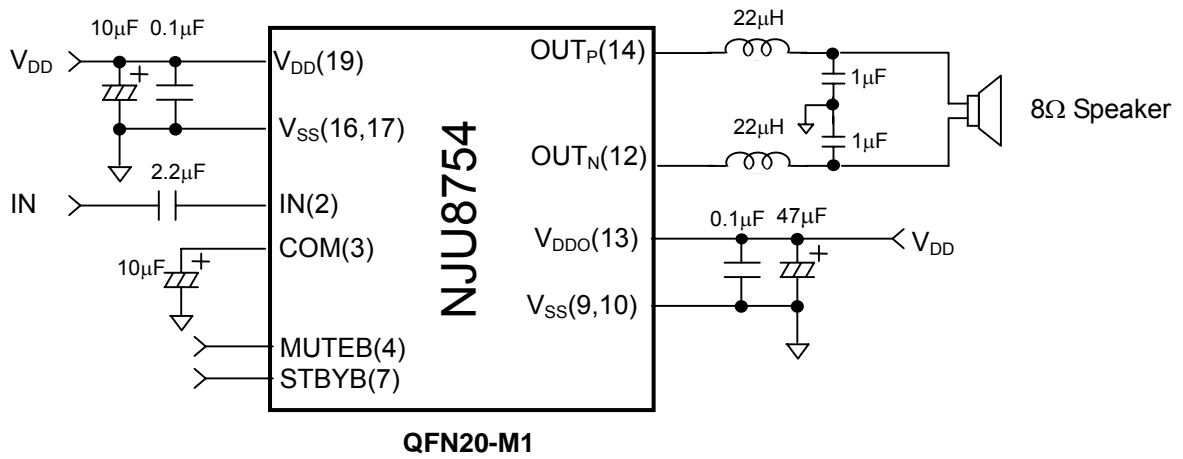
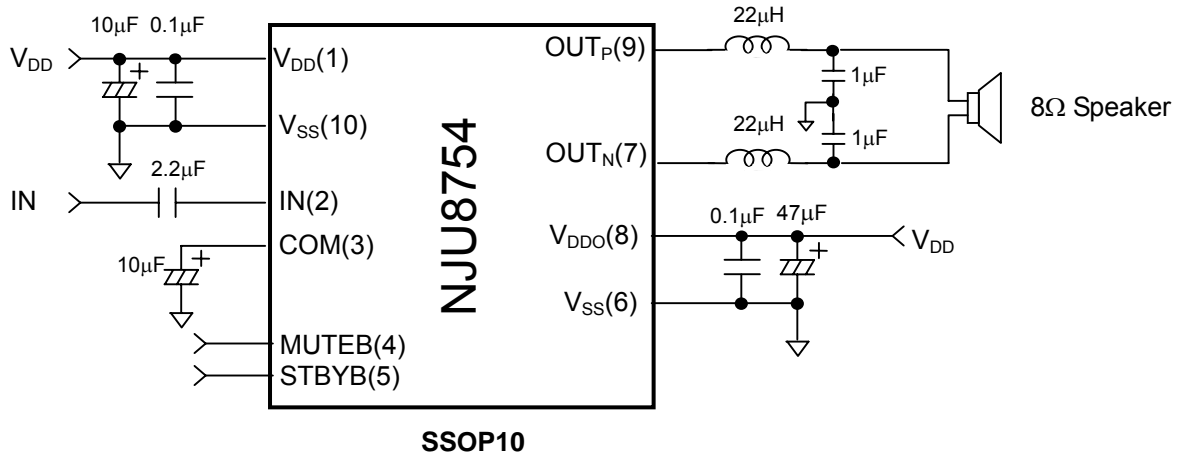
Figure 1. Output THD and S/N Test System

2nd-order LPF : fc=34kHz / Refer to "Typical Application Circuit".
Filters : 22Hz HPF + 20kHz LPF(AES17)
(with the A-Weight filter for S/N and Dynamic-range tests)

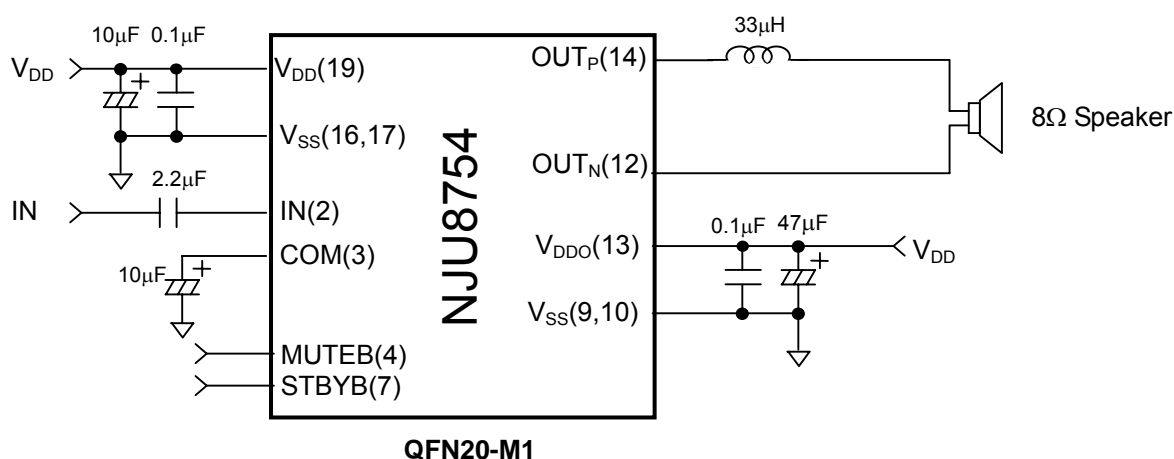
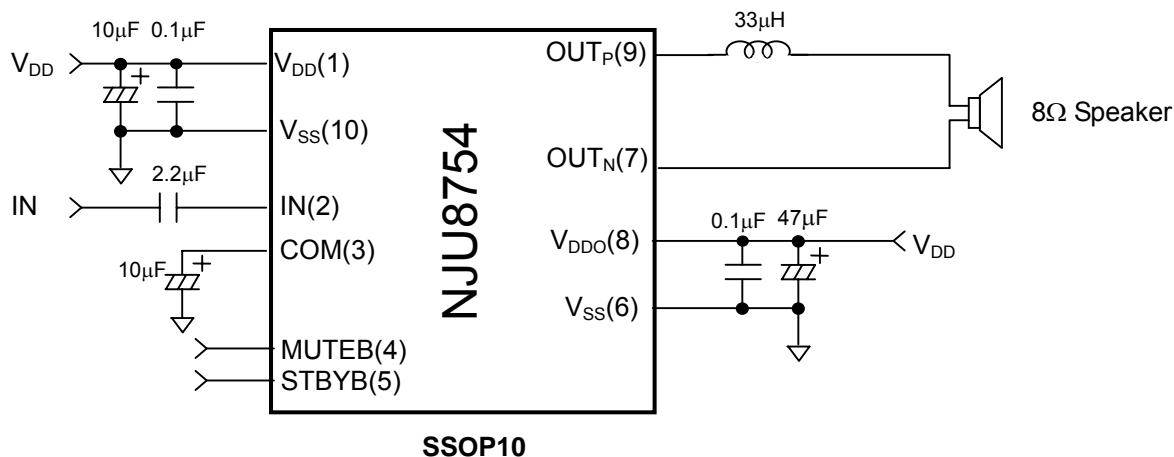
NJU8754

■ TYPICAL APPLICATION CIRCUIT

<LCR Filter Configuration



<LR Filter Configuration>



Using the LCR filter the power consumption is somewhat lower than using the LR filter power consumption when no signal input. The THD+N is somewhat influenced by the LR filter more than the LCR filter. Please test the circuit carefully to fit your application.

- Note 6) De-coupling capacitors must be connected between each power supply terminal and GND. The capacity value should be adjusted on the application circuit and the operation temperature. It may malfunction if capacity value is small.
- Note 7) The power supply for V_{DDO} requires fast driving response performance such as a switching regulator for better THD. THD performance becomes worse by ripple if the capacity of De-coupling capacitor is small.
- Note 8) The above circuit shows only application example and does not guarantee the any electrical characteristics. Therefore, please test the circuit carefully to fit your application. The cutoff frequency of the LC filter influences the quality of sound. The Q factor of the LC filter must be less than "1". Otherwise, the operating current increases when the frequency of input signal is closed to the cutoff frequency.
- Note 9) The transition time for MUTE B and STBY B signals must be less than 100µs. Otherwise, a malfunction may be occurred.
- Note 10) (1) – (19) indicates terminal number.

[CAUTION]

The specifications on this databook are only given for information, without any guarantee as regards either mistakes or omissions. The application circuits in this databook are described only to show representative usages of the product and not intended for the guarantee or permission of any right including the industrial rights.

Mouser Electronics

Authorized Distributor

Click to View Pricing, Inventory, Delivery & Lifecycle Information:

[NJR:](#)

[NJU8754KM1](#) [NJU8754V-TE1](#) [NJU8754V-TE2](#)



Компания «ЭлектроПласт» предлагает заключение долгосрочных отношений при поставках импортных электронных компонентов на взаимовыгодных условиях!

Наши преимущества:

- Оперативные поставки широкого спектра электронных компонентов отечественного и импортного производства напрямую от производителей и с крупнейших мировых складов;
- Поставка более 17-ти миллионов наименований электронных компонентов;
- Поставка сложных, дефицитных, либо снятых с производства позиций;
- Оперативные сроки поставки под заказ (от 5 рабочих дней);
- Экспресс доставка в любую точку России;
- Техническая поддержка проекта, помощь в подборе аналогов, поставка прототипов;
- Система менеджмента качества сертифицирована по Международному стандарту ISO 9001;
- Лицензия ФСБ на осуществление работ с использованием сведений, составляющих государственную тайну;
- Поставка специализированных компонентов (Xilinx, Altera, Analog Devices, Intersil, Interpoint, Microsemi, Aeroflex, Peregrine, Syfer, Eurofarad, Texas Instrument, Miteq, Cobham, E2V, MA-COM, Hittite, Mini-Circuits, General Dynamics и др.);

Помимо этого, одним из направлений компании «ЭлектроПласт» является направление «Источники питания». Мы предлагаем Вам помощь Конструкторского отдела:

- Подбор оптимального решения, техническое обоснование при выборе компонента;
- Подбор аналогов;
- Консультации по применению компонента;
- Поставка образцов и прототипов;
- Техническая поддержка проекта;
- Защита от снятия компонента с производства.



Как с нами связаться

Телефон: 8 (812) 309 58 32 (многоканальный)

Факс: 8 (812) 320-02-42

Электронная почта: org@eplast1.ru

Адрес: 198099, г. Санкт-Петербург, ул. Калинина, дом 2, корпус 4, литера А.