



SERIES: VQB100R | **DESCRIPTION:** DC-DC CONVERTER

FEATURES

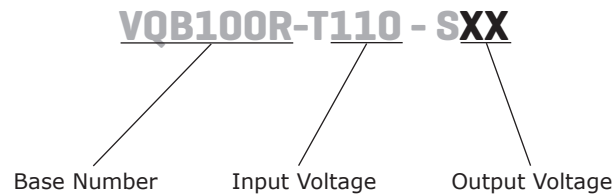
- up to 100 W isolated output
- industry standard quarter brick package
- 3:1 input range (66~160 Vdc)
- single output from 5~24 Vdc
- 2,250 Vdc isolation
- over current, over temperature, over voltage, and short circuit protections
- remote on/off
- efficiency up to 92%



MODEL	input voltage range	output voltage	output current max	output power max	ripple and noise ¹ max	efficiency typ
	(Vdc)	(Vdc)	(A)	(W)	(mVp-p)	(%)
VQB100R-T110-S5	66 ~ 160	5	20	100	100	90
VQB100R-T110-S12	66 ~ 160	12	8.4	100	150	92
VQB100R-T110-S24	66 ~ 160	24	4.2	100	240	91

Notes: 1. ripple and noise are measured at 20 MHz BW with 10µF tantalum capacitor and 1µF ceramic capacitor across output
 2. an external input capacitor of 120 µF is recommended to reduce the input ripple voltage.

PART NUMBER KEY



INPUT

parameter	conditions/description	min	typ	max	units
operating input voltage		66	110	160	Vdc
input surge voltage	100 ms max.			180	Vdc
under voltage lockout	power up		62		Vdc
	power down		56		Vdc
start-up time			45		ms
filter	PI type				
on/off ¹	models ON (open circuit or 3.5~75 Vdc)				
	models OFF (0~1.8 Vdc)				

Notes: 1. logic compatibility, open collector reference to -input.

OUTPUT

parameter	conditions/description	min	typ	max	units
output capacitance	5 Vdc output model			10,000	μF
	12 Vdc output model			8,800	μF
	24 Vdc output model			1,500	μF
line regulation	measured from high line to low line			±0.2	%
load regulation	measured from full load to zero load			±0.2	%
voltage accuracy				±1.5	%
adjustability	see application notes		±10		%
switching frequency	100% load, input voltage range		200		kHz
transient response	25% step load change	error band recover time		±5 200	% Vout μs
temperature coefficient			±0.03		%/°C

PROTECTIONS

parameter	conditions/description	min	typ	max	units
over voltage protection	%Vo	115		140	%
over current protection	% nominal output current	110		180	%
short circuit protection	continuous				
over temperature protection			105		°C

SAFETY AND COMPLIANCE

parameter	conditions/description	min	typ	max	units
isolation voltage	input to output	2,250			Vdc
	input to case	2,250			Vdc
	output to case	1,500			Vdc
isolation resistance		10			MΩ
isolation capacitance			1,000		pF
safety approvals	UL 60950-1				
EMC	EN50155 (EN50121-3-2) (external circuit required, see Figure 1)				
EMI	EN55011 Class A				
	EN61000-4-2 Air ±8 kV Class B				
ESD	EN61000-4-2 Contactr ±6 kV Class A				
radiated immunity	EN61000-4-3 10 V/m Class A				
EFT/burst	EN61000-4-4 ±2 kV Class A				
surge	EN61000-4-5 ±1 kV Class B				
conducted immunity	EN61000-4-6 10 Vr.m.s Class A				
RoHS	2011/65/EU				

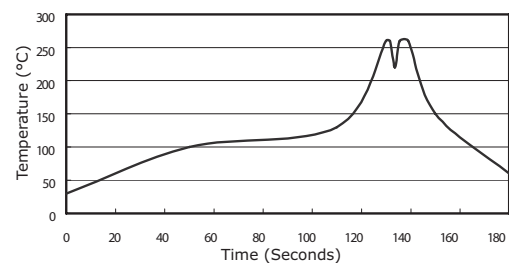
ENVIRONMENTAL

parameter	conditions/description	min	typ	max	units
operating case temperature		-40		100	°C
storage temperature		-55		105	°C
humidity	non-condensing			95	%
shock/vibration	EN50155 (EN61373)				
enviromental	EN50155 (EN60068-2-1, EN60068-2-2, EN60068-2-30)				

SOLDERABILITY

parameter	conditions/description	min	typ	max	units
wave soldering	see wave soldering profile			260	°C

- Notes:
1. Soldering materials: Sn/Cu/Ni
 2. Ramp up rate during preheat: 1.4°C/s (from 50°C to 100°C)
 3. Soaking temperature: 0.5°C/s (from 100°C to 130°C), 60±20 seconds
 4. Peak temperature: 260°C, above 250°C for 3~6 seconds
 5. Ramp down rate during cooling: -10°C/s (from 260°C to 150°C)



EMC RECOMMENDED CIRCUITS

EN50155 [EN50121-3-2] [EN55011 Class A]

Figure 1
Recommended Circuit for EN50155 (EN50121-3-2) (EN55011 Class A)

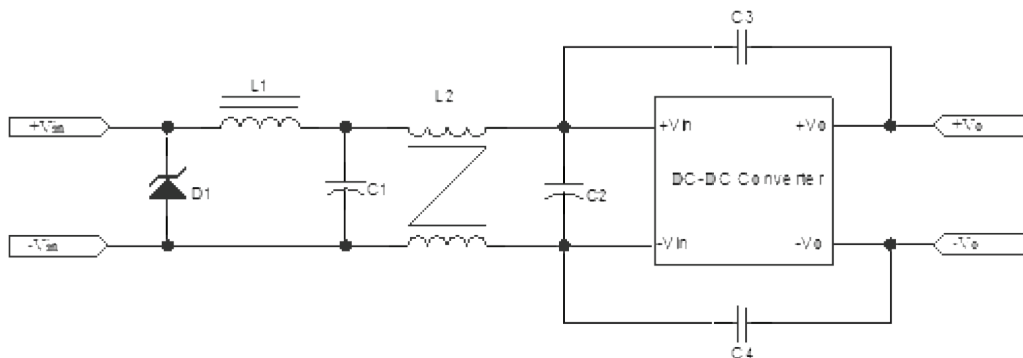


Table 1

Recommended External Circuit Components							
Model	D1	C1	C2	C3	C4	L1	L2
VQB100R-T110-S5	1.5KE180A Littelfuse	220uF/200V YXF	220uF/200V YXF	2200 pF	2200 pF	5 μH	0.33 mH
VQB100R-T110-S12	1.5KE180A Littelfuse	220uF/200V YXF	220uF/200V YXF	2200 pF	2200 pF	5 μH	0.33 mH
VQB100R-T110-S24	1.5KE180A Littelfuse	220uF/200V YXF	220uF/200V YXF	2200 pF	2200 pF	5 μH	0.33 mH

Note: C1, C2 Aluminum Capacitors and C3, C4 Ceramic Capacitors

EN55022 Class B

Figure 2
Recommended Circuit for EN55022 Class B

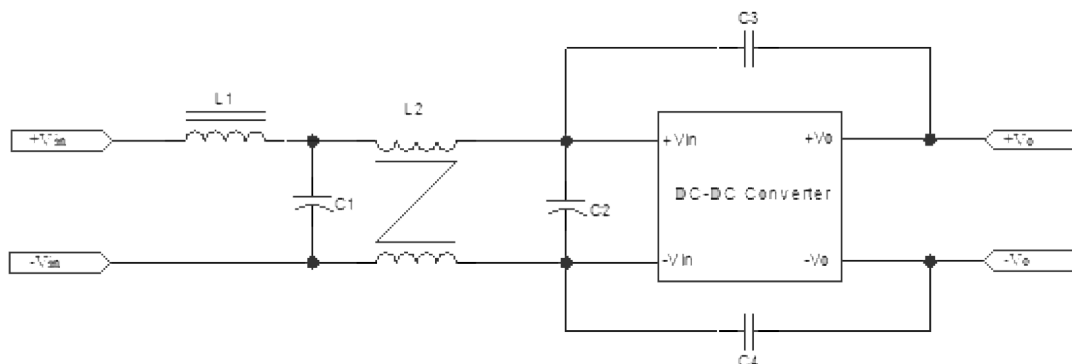


Table 2

Recommended External Circuit Components						
Model	C1	C2	C3	C4	L1	L2
VQB100R-T110-S5	220 μF/200 V YXF	220 μF/200 V YXF	2200 pF	2200 pF	5 μH	0.33 mH
VQB100R-T110-S12	220 μF/200 V YXF	220 μF/200 V YXF	2200 pF	2200 pF	5 μH	0.33 mH
VQB100R-T110-S24	220 μF/200 V YXF	220 μF/200 V YXF	2200 pF	2200 pF	5 μH	0.33 mH

Note: C1, C2 Aluminum Capacitors and C3, C4 Ceramic Capacitors

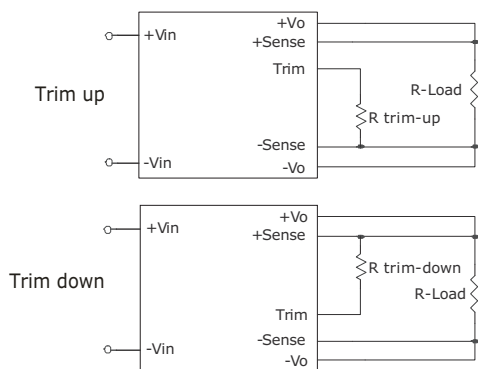
APPLICATION NOTES

1. Output Voltage Trimming

Leave open if not used.

Figure 3

Application Circuit for Trim pin



Formula for Trim Resistor

$$R_{trim - up} = \left(\frac{R_1(V_r - V_f(\frac{R_2}{R_2 + R_3}))}{V_o - V_{o, nom}} \right) - \frac{R_2 R_3}{R_2 + R_3} \text{ (k}\Omega\text{)}$$

$$R_{trim - down} = \frac{R_1(V_o - V_r)}{V_{o, nom} - V_o} - R_2 \text{ (k}\Omega\text{)}$$

Note: $R_{trim-up}$ is the external resistor in $k\Omega$
 $R_{trim-down}$ is the external resistor in $k\Omega$
 $V_{o, nom}$ is the nominal output voltage
 V_o is the desired output voltage
 $R_1, R_2, R_3,$ and V_r are internal (see Table 3).

Table 3

Vout (Vdc)	R1 (kΩ)	R2 (kΩ)	R3 (kΩ)	Vr (V)	Vf (V)
5	2.32	3.3	0	2.5	0
12	9.1	51	5.1	2.5	0.46
24	20	100	7.5	2.5	0.46

REVISION HISTORY

rev.	description	date
1.0	initial release	06/20/2012
1.01	misc. updates, added product photo	11/13/2012
1.02	updated input voltage range and drawing	01/29/2013
1.03	updated spec	03/18/2013
1.04	updated features section	05/30/2013
1.05	added EMC recommendations	06/18/2015

The revision history provided is for informational purposes only and is believed to be accurate.



Headquarters
20050 SW 112th Ave.
Tualatin, OR 97062
800.275.4899

Fax 503.612.2383
cui.com
techsupport@cui.com

CUI offers a two (2) year limited warranty. Complete warranty information is listed on our website.

CUI reserves the right to make changes to the product at any time without notice. Information provided by CUI is believed to be accurate and reliable. However, no responsibility is assumed by CUI for its use, nor for any infringements of patents or other rights of third parties which may result from its use.

CUI products are not authorized or warranted for use as critical components in equipment that requires an extremely high level of reliability. A critical component is any component of a life support device or system whose failure to perform can be reasonably expected to cause the failure of the life support device or system, or to affect its safety or effectiveness.



Компания «ЭлектроПласт» предлагает заключение долгосрочных отношений при поставках импортных электронных компонентов на взаимовыгодных условиях!

Наши преимущества:

- Оперативные поставки широкого спектра электронных компонентов отечественного и импортного производства напрямую от производителей и с крупнейших мировых складов;
- Поставка более 17-ти миллионов наименований электронных компонентов;
- Поставка сложных, дефицитных, либо снятых с производства позиций;
- Оперативные сроки поставки под заказ (от 5 рабочих дней);
- Экспресс доставка в любую точку России;
- Техническая поддержка проекта, помощь в подборе аналогов, поставка прототипов;
- Система менеджмента качества сертифицирована по Международному стандарту ISO 9001;
- Лицензия ФСБ на осуществление работ с использованием сведений, составляющих государственную тайну;
- Поставка специализированных компонентов (Xilinx, Altera, Analog Devices, Intersil, Interpoint, Microsemi, Aeroflex, Peregrine, Syfer, Eurofarad, Texas Instrument, Miteq, Cobham, E2V, MA-COM, Hittite, Mini-Circuits, General Dynamics и др.);

Помимо этого, одним из направлений компании «ЭлектроПласт» является направление «Источники питания». Мы предлагаем Вам помощь Конструкторского отдела:

- Подбор оптимального решения, техническое обоснование при выборе компонента;
- Подбор аналогов;
- Консультации по применению компонента;
- Поставка образцов и прототипов;
- Техническая поддержка проекта;
- Защита от снятия компонента с производства.



Как с нами связаться

Телефон: 8 (812) 309 58 32 (многоканальный)

Факс: 8 (812) 320-02-42

Электронная почта: org@eplast1.ru

Адрес: 198099, г. Санкт-Петербург, ул. Калинина, дом 2, корпус 4, литера А.