

LAURA-D

~15° diffused spot beam optimized for CREE XP-E. Assembly with black holder and installation tape.

TECHNICAL SPECIFICATIONS:

| | |
|----------------|---------|
| Dimensions | 21.6 mm |
| Height | 13.1 mm |
| Fastening | tape |
| ROHS compliant | yes ⓘ |

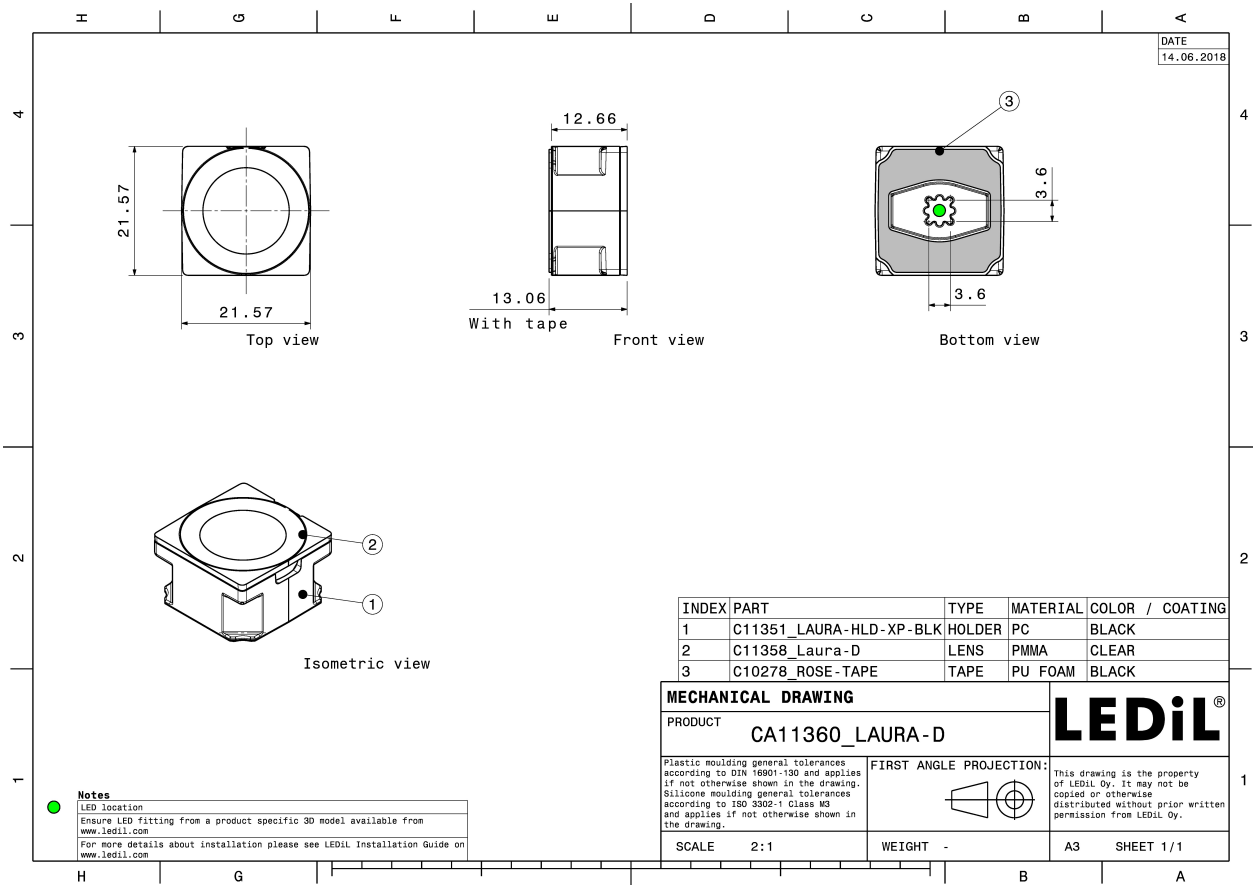
MATERIAL SPECIFICATIONS:

| Component | Type | Material | Colour | Finish |
|------------------|-------------|----------|--------|--------|
| LAURA-D | Single lens | PMMA | | |
| LAURA-HLD-XP-BLK | Holder | PC | | |
| ROSE-TAPE | Tape | PU tape | | |

ORDERING INFORMATION:

| Component | | Qty in box | MOQ | MPQ | Box weight (kg) |
|-----------------|-------------|------------|-----|-----|-----------------|
| CA11360_LAURA-D | Single lens | 1440 | | 180 | 7.4 |
| » Box size: | | | | | |





PHOTOMETRIC DATA (MEASURED):

CREE

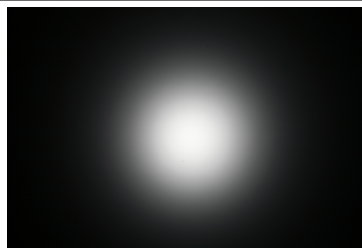
LED XP-E
FWHM 13.0°
Efficiency 93 %
Peak intensity 9.300 cd/lm
LEDs/each optic 1
Light colour White
Required components:

CREE

LED XP-E-HEW
FWHM 15.0°
Efficiency 86 %
Peak intensity 6.200 cd/lm
LEDs/each optic 1
Light colour White
Required components:

CREE

LED XP-E2
FWHM 15.0°
Efficiency 80 %
Peak intensity 6.370 cd/lm
LEDs/each optic 1
Light colour White
Required components:



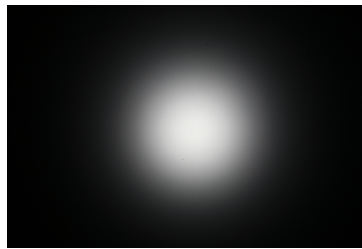
CREE

LED XP-G
FWHM 15.0°
Efficiency 93 %
Peak intensity 7.000 cd/lm
LEDs/each optic 1
Light colour White
Required components:

PHOTOMETRIC DATA (MEASURED):



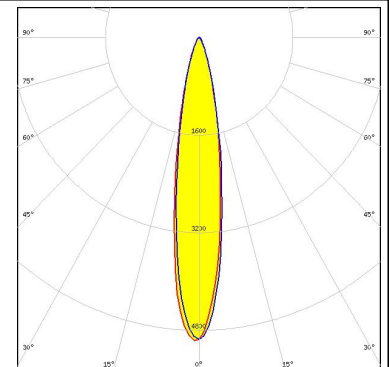
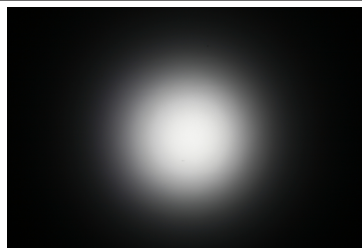
LED XP-G2
FWHM 17.0°
Efficiency 89 %
Peak intensity 6.100 cd/lm
LEDs/each optic 1
Light colour White
Required components:



LED XT-E
FWHM 15.0°
Efficiency 86 %
Peak intensity 5.490 cd/lm
LEDs/each optic 1
Light colour White
Required components:



LED H35C1 (LEMWA33)
FWHM 19.0°
Efficiency 86 %
Peak intensity 5.000 cd/lm
LEDs/each optic 1
Light colour White
Required components:



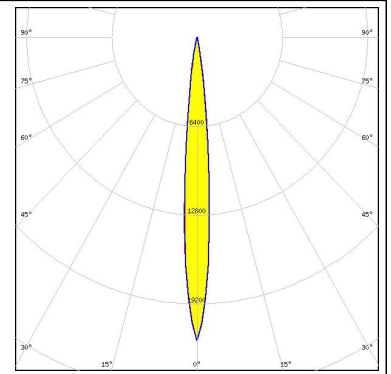
SEOUL SEMICONDUCTOR

LED Z5
FWHM 14.0°
Efficiency %
Peak intensity cd/lm
LEDs/each optic 1
Light colour White
Required components:

PHOTOMETRIC DATA (SIMULATED):

CREE 

LED XD16
FWHM 10.0°
Efficiency 90 %
Peak intensity 21.864 cd/lm
LEDs/each optic 1
Light colour White
Required components:



GENERAL INFORMATION:

NOTE: The typical beam angle will be changed by different color, chip size and chip position tolerance. The typical total beam angle is the full angle measured where the luminous intensity is half of the peak value.

MATERIALS:

As part of our continuous research and improvement processes, and to ensure the best possible quality and availability of our products, LEDiL reserves the right to change material grades without notice.

PRODUCT DATA USER AGREEMENT AND DISCLAIMER:

The measured data in the provided downloadable LEDiL Product Datasheets and Mechanical 2D-Drawings is rounded and provided as reference for planning. LEDiL Oy's optical specifications have been verified by conducting performance testing of the products in accordance with the company's quality system. The reported data are averaged results of multiple measurements with typical variation. LEDiL Oy reserves the right to without prior notification make changes and improvements to its products.

LEDiL Oy assumes neither warranty, nor guarantee nor any other liability of any kind for the contents and correctness of the provided data. The provided data has been generated with highest diligence but the provided data may in reality not represent the complete possible variation range of all intrinsic parameters. Therefore, in certain cases a deviation from the provided data could occur.

LEDiL Oy reserves the right to undertake technical changes of its products without further notification which could lead to changes in the provided data. LEDiL Oy assumes no liability of any kind for the possible deviation from any provided data or any other damage resulting from the usage of the provided data.

The user agrees to this disclaimer and user agreement with the download or usage of the provided files.

LEDiL Oy

Joensuunkatu 13
FI-24240 SALO
Finland

LEDiL Inc.

228 West Page Street
Suite D
Sycamore IL 60178
USA

Local sales and technical support

[www.ledil.com/
where_to_buy](http://www.ledil.com/where_to_buy)

Shipping locations

Salo, Finland
Hong Kong, China

Distribution Partners

[www.ledil.com/
where_to_buy](http://www.ledil.com/where_to_buy)



Компания «ЭлектроПласт» предлагает заключение долгосрочных отношений при поставках импортных электронных компонентов на взаимовыгодных условиях!

Наши преимущества:

- Оперативные поставки широкого спектра электронных компонентов отечественного и импортного производства напрямую от производителей и с крупнейших мировых складов;
- Поставка более 17-ти миллионов наименований электронных компонентов;
- Поставка сложных, дефицитных, либо снятых с производства позиций;
- Оперативные сроки поставки под заказ (от 5 рабочих дней);
- Экспресс доставка в любую точку России;
- Техническая поддержка проекта, помощь в подборе аналогов, поставка прототипов;
- Система менеджмента качества сертифицирована по Международному стандарту ISO 9001;
- Лицензия ФСБ на осуществление работ с использованием сведений, составляющих государственную тайну;
- Поставка специализированных компонентов (Xilinx, Altera, Analog Devices, Intersil, Interpoint, Microsemi, Aeroflex, Peregrine, Syfer, Eurofarad, Texas Instrument, Miteq, Cobham, E2V, MA-COM, Hittite, Mini-Circuits, General Dynamics и др.);

Помимо этого, одним из направлений компании «ЭлектроПласт» является направление «Источники питания». Мы предлагаем Вам помощь Конструкторского отдела:

- Подбор оптимального решения, техническое обоснование при выборе компонента;
- Подбор аналогов;
- Консультации по применению компонента;
- Поставка образцов и прототипов;
- Техническая поддержка проекта;
- Защита от снятия компонента с производства.



Как с нами связаться

Телефон: 8 (812) 309 58 32 (многоканальный)

Факс: 8 (812) 320-02-42

Электронная почта: org@eplast1.ru

Адрес: 198099, г. Санкт-Петербург, ул. Калинина, дом 2, корпус 4, литера А.