

FF2 and FF3 Series

Magnetically Actuated Non-Contact Barrel Safety Switches



DESCRIPTION

The FF2 is an 18 mm barrel (thread) mounting magnetically actuated safety switch with one safety contact and an optional indicator contact, if required. The FF3 is a 30 mm barrel (thread) mounting magnetically actuated safety switch with up to two safety contacts and one indicator contact.

The barrel, thread, mount design is easy to install into the frame of a machine guard and allows for flush mounting, minimizing potential switch damage and space constraint issues. Both the FF2 and FF3 series are sealed to IP67 requirements enabling use in most harsh environments.

FEATURES

- Options of one or two safety contacts
- Tested to over 1,000,000 operations, full load
- Simple M18 and M30 barrel (thread) mounting
- Guard status indication available
- ac and dc versions
- CE and UL approvals

POTENTIAL APPLICATIONS

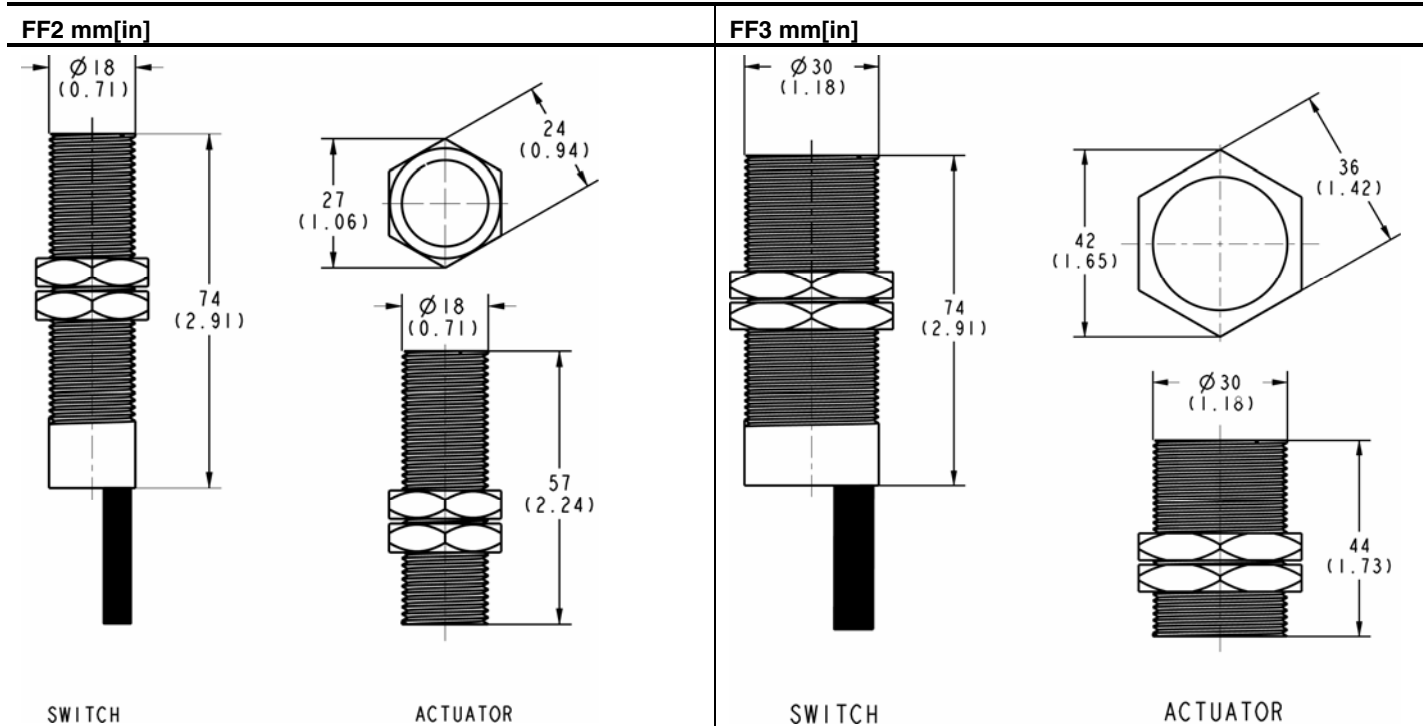
- Can forming and filling (aluminum, steel, and plastic)
- Pick and place packaging equipment
- Pick and place/assembly equipment
- Semicon equipment
- Plastic molding equipment
- Woodworking machinery
- Textile machinery
- Printing machinery

FF2 and FF3 Series

TECHNICAL SPECIFICATIONS

| Type | FF2-10-AC FF2-11-AC | FF2-10-DC FF2-11-DC | FF3-20-AC FF3-21-AC | FF3-20-DC FF3-21-DC |
|--------------------------------------|--|--|--|--|
| Contact arrangement | 1NC (FF2-10-AC) 1NC/1NO (FF2-11-AC) | 1NC (FF2-10-DC) 1NC/1NO (FF2-11-DC) | 2NC (FF3-20-AC) 2NC/1NO (FF3-21-AC) | 2NC (FF3-20-DC) 2NC/1NO (FF3-21-DC) |
| Safety contact rating | 230 Vac/2 A | 30 Vdc/1 A inductive/ resistive | 230 Vac/2A | 30 Vdc/1 A inductive/ resistive |
| Safety contact operating distance | 10 mm [0.4 in] ON; 30 mm [1.18 in] OFF | 10 mm [0.4 in] ON; 30 mm [1.18 in] OFF | 10 mm [0.4 in] ON; 35 mm [1.38 in] OFF | 10 mm [0.4 in] ON; 35 mm [1.38 in] OFF |
| Safety contact close/drop/bounce | 3 ms/2.1 ms/0.7 ms | 3 ms/2.1 ms/0.7 ms | 3 ms/2.1 ms/0.7 ms | 3 ms/2.1 ms/0.7 ms |
| Auxiliary contact rating | 15 W/10 VA | 15 W/10 VA | 15 W/10 VA | 15 W/10 VA |
| Auxiliary contact operating distance | 7 mm [0.28 in] OFF; 14 mm [0.55 in] ON | 7 mm [0.28 in] OFF; 14 mm [0.55 in] ON | 7 mm [0.28 in] OFF; 20 mm [0.79 in] ON | 7 mm [0.28 in] OFF; 20 mm [0.79 in] ON |
| Auxiliary contact close/drop/bounce | 0.5 ms/0.3 ms/0.7 ms | 0.5 ms/0.3 ms/0.7 ms | 0.5 ms/0.3 ms/0.7 ms | 0.5 ms/0.3 ms/0.7 ms |
| Internal fuse | ac: 2 A fast acting | dc: 1 A fast acting | ac: 2 A fast acting | dc: 1 A fast acting |
| External fuse (customer supplied) | ac: 1.6 A fast acting | dc: 0.8 A fast acting | ac: 1.6 A fast acting | dc: 0.8 A fast acting |
| IP rating | IP67 | IP67 | IP67 | IP67 |
| Vibration/shock | 50 Hz to 100 Hz/10 g | 50 Hz to 100 Hz/10 g | 50 Hz to 100 Hz/10 g | 50 Hz to 100 Hz/10 g |
| Operating temperature | -10 °C to 55 °C [14 °F to 131 °F] | -10 °C to 55 °C [14 °F to 131 °F] | -10 °C to 55 °C [14 °F to 131 °F] | -10 °C to 55 °C [14 °F to 131 °F] |
| Mounting and fixture | Target to target | Target to target | Target to target | Target to target |
| Construction | Red ABS resin filled | Red ABS resin filled | Red ABS resin filled | Red ABS resin filled |

DIMENSIONS



Magnetically Actuated Non-Contact Barrel Safety Switches

ORDER GUIDE

| Catalog Listing | Description |
|-----------------|---|
| FF2-10-AC-03 | Barrel safety switch, 18 mm [0.70 in], 1NC, ac, 3 m pre-wired |
| FF2-11-AC-03 | Barrel safety switch, 18 mm [0.70 in], 1NC/1NO, ac, 3 m pre-wired |
| FF2-10-DC-03 | Barrel safety switch, 18 mm [0.70 in], 1NC, dc, 3 m pre-wired |
| FF2-11-DC-03 | Barrel safety switch, 18 mm [0.70 in], 1NC/1NO, dc, 3 m pre-wired |
| FF3-20-AC-03 | Barrel safety switch, 30 mm [1.18 in], 2NC, ac, 3 m pre-wired |
| FF3-21-AC-03 | Barrel safety switch, 30 mm [1.18 in], 2NC/1NO, ac, 3 m pre-wired |
| FF3-20-DC-03 | Barrel safety switch, 30 mm [1.18 in], 2NC, dc, 3 m pre-wired |
| FF3-21-DC-03 | Barrel safety switch, 30 mm [1.18 in], 2NC/1NO, dc, 3 m pre-wired |

WARNING

PERSONAL INJURY

DO NOT USE these products as safety or emergency stop devices or in any other application where failure of the product could result in personal injury.

Failure to comply with these instructions could result in death or serious injury.

WARNING

MISUSE OF DOCUMENTATION

- The information presented in this product sheet is for reference only. Do not use this document as a product installation guide.
- Complete installation, operation, and maintenance information is provided in the instructions supplied with each product.

Failure to comply with these instructions could result in death or serious injury.

WARRANTY/REMEDY

Honeywell warrants goods of its manufacture as being free of defective materials and faulty workmanship. Honeywell's standard product warranty applies unless agreed to otherwise by Honeywell in writing; please refer to your order acknowledgement or consult your local sales office for specific warranty details. If warranted goods are returned to Honeywell during the period of coverage, Honeywell will repair or replace, at its option, without charge those items it finds defective. **The foregoing is buyer's sole remedy and is in lieu of all other warranties, expressed or implied, including those of merchantability and fitness for a particular purpose. In no event shall Honeywell be liable for consequential, special, or indirect damages.**

While we provide application assistance personally, through our literature and the Honeywell web site, it is up to the customer to determine the suitability of the product in the application.

Specifications may change without notice. The information we supply is believed to be accurate and reliable as of this printing. However, we assume no responsibility for its use.

SALES AND SERVICE

Honeywell serves its customers through a worldwide network of sales offices, representatives and distributors. For application assistance, current specifications, pricing or name of the nearest Authorized Distributor, contact your local sales office or:

E-mail: info.sc@honeywell.com

Internet: www.honeywell.com/sensing

Phone and Fax:

Asia Pacific +65 6355-2828
+65 6445-3033 Fax
Europe +44 (0) 1698 481481
+44 (0) 1698 481676 Fax
Latin America +1-305-805-8188
+1-305-883-8257 Fax
USA/Canada +1-800-537-6945
+1-815-235-6847
+1-815-235-6545 Fax

Sensing and Control
Honeywell
1985 Douglas Drive North
Minneapolis, MN 55422
www.honeywell.com/sensing

004748-1-EN IL50 GLO Printed in USA
May 2007
Copyright © 2007 Honeywell International Inc. All rights reserved.

Honeywell



Компания «ЭлектроПласт» предлагает заключение долгосрочных отношений при поставках импортных электронных компонентов на взаимовыгодных условиях!

Наши преимущества:

- Оперативные поставки широкого спектра электронных компонентов отечественного и импортного производства напрямую от производителей и с крупнейших мировых складов;
- Поставка более 17-ти миллионов наименований электронных компонентов;
- Поставка сложных, дефицитных, либо снятых с производства позиций;
- Оперативные сроки поставки под заказ (от 5 рабочих дней);
- Экспресс доставка в любую точку России;
- Техническая поддержка проекта, помощь в подборе аналогов, поставка прототипов;
- Система менеджмента качества сертифицирована по Международному стандарту ISO 9001;
- Лицензия ФСБ на осуществление работ с использованием сведений, составляющих государственную тайну;
- Поставка специализированных компонентов (Xilinx, Altera, Analog Devices, Intersil, Interpoint, Microsemi, Aeroflex, Peregrine, Syfer, Eurofarad, Texas Instrument, Miteq, Cobham, E2V, MA-COM, Hittite, Mini-Circuits, General Dynamics и др.);

Помимо этого, одним из направлений компании «ЭлектроПласт» является направление «Источники питания». Мы предлагаем Вам помощь Конструкторского отдела:

- Подбор оптимального решения, техническое обоснование при выборе компонента;
- Подбор аналогов;
- Консультации по применению компонента;
- Поставка образцов и прототипов;
- Техническая поддержка проекта;
- Защита от снятия компонента с производства.



Как с нами связаться

Телефон: 8 (812) 309 58 32 (многоканальный)

Факс: 8 (812) 320-02-42

Электронная почта: org@eplast1.ru

Адрес: 198099, г. Санкт-Петербург, ул. Калинина, дом 2, корпус 4, литера А.