



Dual 1:5 Differential LVPECL/LVECL/HSTL Clock and Data Drivers

General Description

The MAX9312/MAX9314 are low skew, dual 1-to-5 differential drivers designed for clock and data distribution. These devices accept two inputs. Each input is reproduced at five differential outputs. The differential inputs can be adapted to accept single-ended inputs by connecting the on-chip V_{BB} supply to one input as a reference voltage.

The MAX9312/MAX9314 feature low part-to-part skew (30ps) and output-to-output skew (12ps), making them ideal for clock and data distribution across a backplane or a board. For interfacing to differential HSTL and LVPECL signals, these devices operate over a +2.25V to +3.8V supply range, allowing high-performance clock or data distribution in systems with a nominal +2.5V or +3.3V supply. For differential LVECL operation, these devices operate from a -2.25V to -3.8V supply.

The MAX9312 features an on-chip V_{BB} reference output of 1.425V below the positive supply voltage. The MAX9314 offers an on-chip V_{BB} reference output of 1.32V below the positive supply voltage.

Both devices are offered in an industry-standard 32-pin 7mm x 7mm LQFP package. In addition, the MAX9312 is offered in a space-saving 32-pin 5mm x 5mm TQFN package.

Applications

Precision Clock Distribution
Low-Jitter Data Repeater

Features

- ◆ +2.25V to +3.8V Differential HSTL/LVPECL Operation
- ◆ -2.25V to -3.8V Differential LVECL Operation
- ◆ 30ps (typ) Part-to-Part Skew
- ◆ 12ps (typ) Output-to-Output Skew
- ◆ 312ps (typ) Propagation Delay
- ◆ $\geq 300\text{mV}$ Differential Output at 3GHz
- ◆ On-Chip Reference for Single-Ended Inputs
- ◆ Output Low with Open Input
- ◆ Pin Compatible with MC100LVEP210 (MAX9312) and MC100EP210 (MAX9314)
- ◆ Offered in Tiny QFN* Package (70% Smaller Footprint than LQFP)

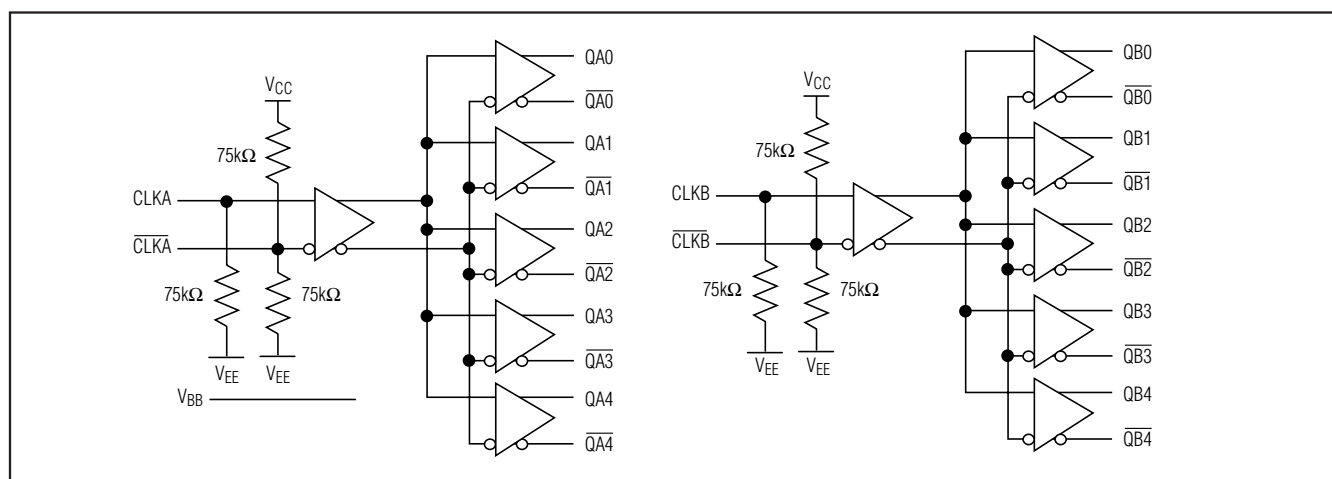
Ordering Information

| PART | TEMP RANGE | PIN-PACKAGE |
|-------------|----------------|-------------|
| MAX9312ECJ+ | -40°C to +85°C | 32 LQFP |
| MAX9312ETJ+ | -40°C to +85°C | 32 TQFN-EP* |
| MAX9314ECJ | -40°C to +85°C | 32 LQFP |

*Exposed pad.

+Denotes a lead(Pb)-free/RoHS-compliant package.

Functional Diagram



Pin Configuration appears at end of data sheet.



Dual 1:5 Differential LVPECL/LVECL/HSTL Clock and Data Drivers

ABSOLUTE MAXIMUM RATINGS

| | | |
|-----------------------------------------------------------------|--------------------------------------------------|-----------------------------------------------------------------------------------------------------------------------|
| V _{CC} - V _{EE} | 4.1V | Junction-to-Ambient Thermal Resistance (T _{JA}) (Note 1) |
| Inputs (CLK ₋ , $\overline{\text{CLK}}_{-}$)..... | V _{EE} - 0.3V to V _{CC} + 0.3V | 32-Pin LQFP |
| CLK ₋ to $\overline{\text{CLK}}_{-}$ | ±3.0V | 32-Pin TQFN |
| Continuous Output Current..... | 50mA | Operating Temperature Range |
| Surge Output Current..... | 100mA | Junction Temperature..... |
| V _{BB} Sink/Source Current | ±0.65mA | Storage Temperature Range..... |
| Continuous Power Dissipation (T _A = +70°C) | | ESD Protection |
| 32-Pin LQFP (derate 20.7mW/°C above +70°C) | 1652.9mW | Human Body Model (CLK ₋ , $\overline{\text{CLK}}_{-}$, Q ₋ , $\overline{\text{Q}}_{-}$) |
| 32-Pin TQFN (derate 34.5mW/°C above +70°C).... | 2758.6mW | Soldering Temperature (10s)..... |
| Junction-to-Case Thermal Resistance (T _{JC}) (Note A) | | |
| 32-Pin LQFP | 12°C/W | |
| 32-Pin TQFN | 2°C/W | |

Note 1: Package thermal resistances were obtained using the method described in JEDEC specification JESD51-7, using a four-layer board. For detailed information on package thermal considerations, refer to www.maxim-ic.com/thermal-tutorial.

Stresses beyond those listed under "Absolute Maximum Ratings" may cause permanent damage to the device. These are stress ratings only, and functional operation of the device at these or any other conditions beyond those indicated in the operational sections of the specifications is not implied. Exposure to absolute maximum rating conditions for extended periods may affect device reliability.

DC ELECTRICAL CHARACTERISTICS

(V_{CC} - V_{EE} = +2.25V to +3.8V, outputs loaded with 50Ω ±1% to V_{CC} - 2V.) (Notes 2–5)

| PARAMETER | SYMBOL | CONDITIONS | -40°C | | +25°C | | +85°C | | UNITS | |
|-------------------------------------------------------------------------|-------------------------------------|-------------------------------------------------------------------------------------------------------------------------------|-----------------------|-----------------------------------|-------------------------|-----------------------------------|-------------------------|-----------------------------------|-------------------------|---|
| | | | MIN | MAX | MIN | MAX | MIN | MAX | | |
| INPUTS (CLK₋, $\overline{\text{CLK}}_{-}$) | | | | | | | | | | |
| Single-Ended Input High Voltage | V _{IH} | V _{BB} connected to $\overline{\text{CLK}}_{-}$ (V _{IL} for V _{BB} connected to CLK ₋) | MAX9312 | V _{CC} - 1.23 | V _{CC} | V _{CC} - 1.23 | V _{CC} | V _{CC} - 1.23 | V _{CC} | V |
| | | | MAX9314 | V _{CC} - 1.165 | V _{CC} | V _{CC} - 1.165 | V _{CC} | V _{CC} - 1.165 | V _{CC} | |
| Single-Ended Input Low Voltage | V _{IL} | V _{BB} connected to $\overline{\text{CLK}}_{-}$ (V _{IL} for V _{BB} connected to CLK ₋) | MAX9312 | V _{EE} | V _{CC} - 1.62 | V _{EE} | V _{CC} - 1.62 | V _{EE} | V _{CC} - 1.62 | V |
| | | | MAX9314 | V _{EE} | V _{CC} - 1.475 | V _{EE} | V _{CC} - 1.475 | V _{EE} | V _{CC} - 1.475 | |
| High Voltage of Differential Input | V _{IHD} | | V _{EE} + 1.2 | V _{CC} | V _{EE} + 1.2 | V _{CC} | V _{EE} + 1.2 | V _{CC} | V | |
| Low Voltage of Differential Input | V _{ILD} | | V _{EE} | V _{CC} - 0.095 | V _{EE} | V _{CC} - 0.095 | V _{EE} | V _{CC} - 0.095 | V | |
| Differential Input Voltage | V _{IHD} - V _{ILD} | For V _{CC} - V _{EE} < 3.0V | 0.095 | V _{CC} - V _{EE} | 0.095 | V _{CC} - V _{EE} | 0.095 | V _{CC} - V _{EE} | V | |
| | | For V _{CC} - V _{EE} ≥ 3.0V | 0.095 | 3.0 | 0.095 | 3.0 | 0.095 | 3.0 | | |
| Input High Current | I _{IH} | | | 150 | | 150 | | 150 | μA | |
| CLK ₋ Input Low Current | I _{ILCLK} | | -10 | +10 | -10 | +10 | -10 | +10 | μA | |

Dual 1:5 Differential LVPECL/LVECL/HSTL Clock and Data Drivers

DC ELECTRICAL CHARACTERISTICS (continued)

($V_{CC} - V_{EE} = +2.25V$ to $+3.8V$, outputs loaded with $50\Omega \pm 1\%$ to $V_{CC} - 2V$.) (Notes 2–5)

| PARAMETER | SYMBOL | CONDITIONS | -40°C | | +25°C | | +85°C | | UNITS | |
|---------------------------------------------------------------|-------------------|----------------------|------------------|------------------|------------------|------------------|------------------|------------------|------------------|---|
| | | | MIN | MAX | MIN | MAX | MIN | MAX | | |
| CLK ₋ Input Low Current | I_{ILCLK} | | -150 | | -150 | | -150 | | μA | |
| OUTPUTS (Q_{-}, \bar{Q}_{-}) | | | | | | | | | | |
| Single-Ended Output High Voltage | V_{OH} | Figure 1 | $V_{CC} - 1.025$ | $V_{CC} - 0.900$ | $V_{CC} - 1.025$ | $V_{CC} - 0.900$ | $V_{CC} - 1.025$ | $V_{CC} - 0.900$ | V | |
| Single-Ended Output Low Voltage | V_{OL} | Figure 1 | $V_{CC} - 1.930$ | $V_{CC} - 1.695$ | $V_{CC} - 1.930$ | $V_{CC} - 1.695$ | $V_{CC} - 1.930$ | $V_{CC} - 1.695$ | V | |
| Differential Output Voltage | $V_{OH} - V_{OL}$ | Figure 1 | 670 | 950 | 670 | 950 | 670 | 950 | mV | |
| REFERENCE (V_{BB}) | | | | | | | | | | |
| Reference Voltage Output (Note 6) | V_{BB} | $I_{BB} = \pm 0.5mA$ | MAX9312 | $V_{CC} - 1.525$ | $V_{CC} - 1.325$ | $V_{CC} - 1.525$ | $V_{CC} - 1.325$ | $V_{CC} - 1.525$ | $V_{CC} - 1.325$ | V |
| | | | MAX9314 | $V_{CC} - 1.38$ | $V_{CC} - 1.26$ | $V_{CC} - 1.38$ | $V_{CC} - 1.26$ | $V_{CC} - 1.38$ | $V_{CC} - 1.26$ | |
| POWER SUPPLY | | | | | | | | | | |
| Supply Current (Note 7) | I_{EE} | | | 75 | | 82 | | 95 | mA | |

MAX9312/MAX9314

Dual 1:5 Differential LVPECL/LVECL/HSTL Clock and Data Drivers

AC ELECTRICAL CHARACTERISTICS

($V_{CC} - V_{EE} = +2.25V$ to $+3.8V$, outputs loaded with $50\Omega \pm 1\%$ to $V_{CC} - 2V$, input frequency = $1.5GHz$, input transition time = $125ps$ (20% to 80%), $V_{IHD} = V_{EE} + 1.2V$ to V_{CC} , $V_{ILD} = V_{EE}$ to $V_{CC} - 0.15V$, $V_{IHD} - V_{ILD} = 0.15V$ to the smaller of $3V$ or $V_{CC} - V_{EE}$, unless otherwise noted. Typical values are at $V_{CC} - V_{EE} = 3.3V$, $V_{IHD} = V_{CC} - 1V$, $V_{ILD} = V_{CC} - 1.5V$.) (Note 8)

| PARAMETER | SYMBOL | CONDITIONS | -40°C | | | +25°C | | | +85°C | | | UNITS |
|--------------------------------------|----------------------------|-----------------------------------------------------------|-------|-----|-----|-------|-----|-----|-------|-----|-----|---------------|
| | | | MIN | TYP | MAX | MIN | TYP | MAX | MIN | TYP | MAX | |
| Differential Input-to-Output Delay | t_{PLHD} , t_{PHLD} | Figure 2 | 220 | 321 | 380 | 220 | 312 | 410 | 260 | 322 | 400 | ps |
| Output-to-Output Skew (Note 9) | t_{SKOO} | | | 12 | 46 | | 12 | 46 | | 10 | 35 | ps |
| Part-to-Part Skew (Note 10) | t_{SKPP} | | | 30 | 160 | | 30 | 190 | | 30 | 140 | ps |
| Added Random Jitter (Note 11) | t_{RJ} | $f_{IN} = 1.5GHz$ clock pattern | | 1.2 | 2.5 | | 1.2 | 2.5 | | 1.2 | 2.5 | ps (RMS) |
| | | $f_{IN} = 3.0GHz$ clock pattern | | 1.2 | 2.6 | | 1.2 | 2.6 | | 1.2 | 2.6 | |
| Added Deterministic Jitter (Note 11) | t_{DJ} | 3Gbps, 2 ²³ -1 PRBS pattern | | 80 | 95 | | 80 | 95 | | 80 | 95 | ps (pk-pk) |
| Switching Frequency | f_{MAX} | $V_{OH} - V_{OL} \geq 300mV$, clock pattern, Figure 2 | | 3.0 | | | 3.0 | | | 3.0 | | GHz |
| | | $V_{OH} - V_{OL} \geq 500mV$, clock pattern, Figure 2 | | 1.5 | | | 1.5 | | | 1.5 | | |
| Output Rise/Fall Time (20% to 80%) | t_R , t_F | Figure 2 | 100 | 112 | 140 | 100 | 116 | 140 | 100 | 121 | 140 | ps |

Note 2: Measurements are made with the device in thermal equilibrium.

Note 3: Current into a pin is defined as positive. Current out of a pin is defined as negative.

Note 4: Single-ended input operation using V_{BB} is limited to $V_{CC} - V_{EE} = 3.0V$ to $3.8V$ for the MAX9312 and $V_{CC} - V_{EE} = 2.7V$ to $3.8V$ for the MAX9314.

Note 5: DC parameters production tested at $T_A = +25^\circ C$. Guaranteed by design and characterization over the full operating temperature range.

Note 6: Use V_{BB} only for inputs that are on the same device as the V_{BB} reference.

Note 7: All pins open except V_{CC} and V_{EE} .

Note 8: Guaranteed by design and characterization limits are set at ± 6 sigma.

Note 9: Measured between outputs on the same part at the signal crossing points for a same-edge transition.

Note 10: Measured between outputs of different parts at the signal crossing points under identical conditions for a same-edge transition.

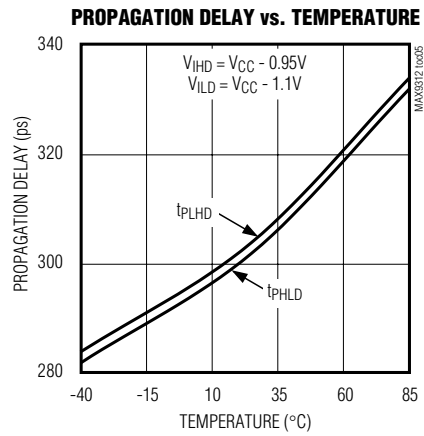
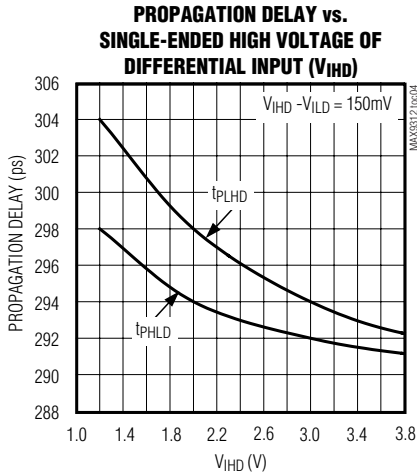
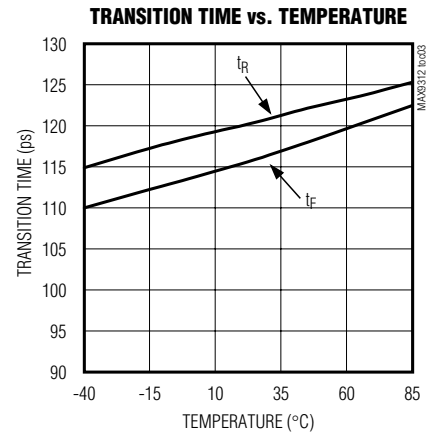
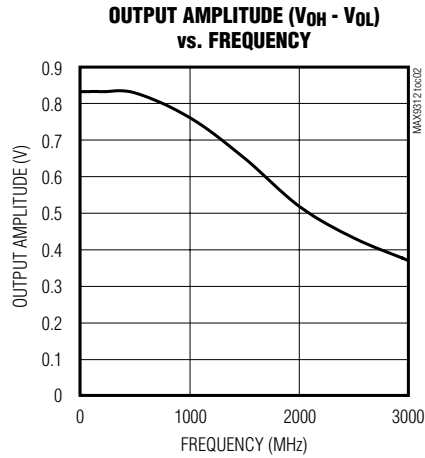
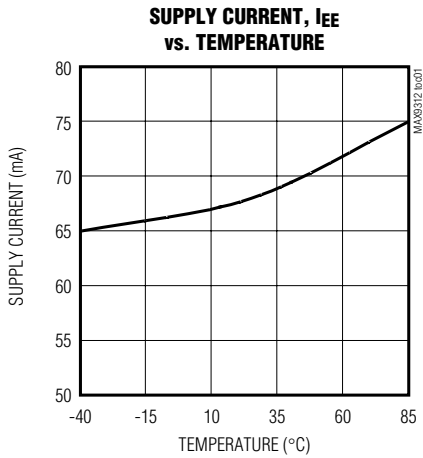
Note 11: Device jitter added to the input signal.

Dual 1:5 Differential LVPECL/LVECL/HSTL Clock and Data Drivers

Typical Operating Characteristics

($V_{CC} = +3.3V$, $V_{EE} = 0$, $V_{IH} = V_{CC} - 0.95V$, $V_{IL} = V_{CL} - 1.25V$, input transition time = 125ps (20% to 80%), $f_{IN} = 1.5GHz$, outputs loaded with 50Ω to $V_{CC} - 2V$, $T_A = +25^\circ C$, unless otherwise noted.)

MAX9312/MAX9314



Dual 1:5 Differential LVPECL/LVECL/HSTL Clock and Data Drivers

Pin Description

| PIN | NAME | FUNCTION |
|------------------|--------------------------|-----------------------------------------------------------------------------------------------------------------------------------------------------------------------------------------------------------------------------------|
| 1, 9, 16, 25, 32 | V _{CC} | Positive Supply Voltage. Bypass from V _{CC} to V _{EE} with 0.1μF and 0.01μF ceramic capacitors. Place the capacitors as close to the device as possible with the smaller value capacitor closest to the device. |
| 2 | N.C. | No Connection. Internally not connected. |
| 3 | CLKA | Noninverting Differential Clock Input A |
| 4 | $\overline{\text{CLKA}}$ | Inverting Differential Clock Input A |
| 5 | V _{BB} | Reference Output Voltage. Connect to the inverting or noninverting clock input to provide a reference for single-ended operation. When used, bypass to V _{CC} with a 0.01μF ceramic capacitor. |
| 6 | CLKB | Noninverting Differential Clock Input B |
| 7 | $\overline{\text{CLKB}}$ | Inverting Differential Clock Input B |
| 8 | V _{EE} | Negative Supply Voltage |
| 10 | $\overline{\text{QB4}}$ | Inverting QB4 Output. Typically terminate with 50Ω resistor to V _{CC} - 2V. |
| 11 | QB4 | Noninverting QB4 Output. Typically terminate with 50Ω resistor to V _{CC} - 2V. |
| 12 | $\overline{\text{QB3}}$ | Inverting QB3 Output. Typically terminate with 50Ω resistor to V _{CC} - 2V. |
| 13 | QB3 | Noninverting QB3 Output. Typically terminate with 50Ω resistor to V _{CC} - 2V. |
| 14 | $\overline{\text{QB2}}$ | Inverting QB2 Output. Typically terminate with 50Ω resistor to V _{CC} - 2V. |
| 15 | QB2 | Noninverting QB2 Output. Typically terminate with 50Ω resistor to V _{CC} - 2V. |
| 17 | $\overline{\text{QB1}}$ | Inverting QB1 Output. Typically terminate with 50Ω resistor to V _{CC} - 2V. |
| 18 | QB1 | Noninverting QB1 Output. Typically terminate with 50Ω resistor to V _{CC} - 2V. |
| 19 | $\overline{\text{QB0}}$ | Inverting QB0 Output. Typically terminate with 50Ω resistor to V _{CC} - 2V. |
| 20 | QB0 | Noninverting QB0 Output. Typically terminate with 50Ω resistor to V _{CC} - 2V. |
| 21 | $\overline{\text{QA4}}$ | Inverting QA4 Output. Typically terminate with 50Ω resistor to V _{CC} - 2V. |
| 22 | QA4 | Noninverting QA4 Output. Typically terminate with 50Ω resistor to V _{CC} - 2V. |
| 23 | $\overline{\text{QA3}}$ | Inverting QA3 Output. Typically terminate with 50Ω resistor to V _{CC} - 2V. |
| 24 | QA3 | Noninverting QA3 Output. Typically terminate with 50Ω resistor to V _{CC} - 2V. |
| 26 | $\overline{\text{QA2}}$ | Inverting QA2 Output. Typically terminate with 50Ω resistor to V _{CC} - 2V. |
| 27 | QA2 | Noninverting QA2 Output. Typically terminate with 50Ω resistor to V _{CC} - 2V. |
| 28 | $\overline{\text{QA1}}$ | Inverting QA1 Output. Typically terminate with 50Ω resistor to V _{CC} - 2V. |
| 29 | QA1 | Noninverting QA1 Output. Typically terminate with 50Ω resistor to V _{CC} - 2V. |
| 30 | $\overline{\text{QA0}}$ | Inverting QA0 Output. Typically terminate with 50Ω resistor to V _{CC} - 2V. |
| 31 | QA0 | Noninverting QA0 Output. Typically terminate with 50Ω resistor to V _{CC} - 2V. |
| — | EP | Exposed Pad (TQFN package only). Internally connected to V _{EE} . Connect EP to the V _{EE} pad on the PCB. |

Dual 1:5 Differential LVPECL/LVECL/HSTL Clock and Data Drivers

Detailed Description

The MAX9312/MAX9314 are low-skew, dual 1-to-5 differential drivers designed for clock and data distribution.

For interfacing to differential HSTL and LVPECL signals, these devices operate over a +2.25V to +3.8V supply range, allowing high-performance clock or data distribution in systems with a nominal +2.5V or +3.3V supply. For differential LVECL operation, these devices operate from a -2.25V to -3.8V supply.

The differential inputs can be configured to accept single-ended inputs when operating at approximately $V_{CC} - V_{EE} = 3.0V$ to $3.8V$ for the MAX9312 or $V_{CC} - V_{EE} = 2.7V$ to $3.8V$ for the MAX9314. This is accomplished by connecting the on-chip reference voltage, V_{BB} , to an input as a reference. For example, the differential \overline{CLKA} , \overline{CLKB} input is converted to a noninverting, single-ended input by connecting V_{BB} to \overline{CLKA} and connecting the single-ended input to $CLKA$. Similarly, an inverting input is obtained by connecting V_{BB} to $CLKA$ and connecting the single-ended input to \overline{CLKA} . With a differential input configured as single ended (using V_{BB}), the single-ended input can be driven to V_{CC} and V_{EE} or with a single-ended LVPECL/LVECL signal.

When a differential input is configured as a single-ended input (using V_{BB}), the approximate supply range is $V_{CC} - V_{EE} = 3.0V$ to $3.8V$ for the MAX9312 and $V_{CC} - V_{EE} = 2.7V$ to $3.8V$ for the MAX9314. This is because one of the inputs must be $V_{EE} + 1.2V$ or higher for proper operation of the input stage. V_{BB} must be at least $V_{EE} + 1.2V$ because it becomes the high-level input when the other (single-ended) input swings below it. Therefore, minimum $V_{BB} = V_{EE} + 1.2V$.

The minimum V_{BB} output for the MAX9312 is $V_{CC} - 1.525V$ and the minimum V_{BB} output for the MAX9314 is $V_{CC} - 1.38V$. Substituting the minimum V_{BB} output for each device into $V_{BB} = V_{EE} + 1.2V$ results in a minimum supply of $2.725V$ for the MAX9312 and $2.58V$ for the MAX9314. Rounding up to standard supplies gives the single-ended operating supply ranges of $V_{CC} - V_{EE} = 3.0V$ to $3.8V$ for the MAX9312 and $V_{CC} - V_{EE} = 2.7V$ to $3.8V$ for the MAX9314.

When using the V_{BB} reference output, bypass it with a $0.01\mu F$ ceramic capacitor to V_{CC} . If the V_{BB} reference is not used, it can be left open. The V_{BB} reference can source or sink $0.5mA$, which is sufficient to drive two inputs. Use V_{BB} only for inputs that are on the same device as the V_{BB} reference.

The maximum magnitude of the differential input from CLK_{-} to \overline{CLK}_{-} is $3.0V$ or $V_{CC} - V_{EE}$, whichever is less.

This limit also applies to the difference between any reference voltage input and a single-ended input.

The differential inputs have bias resistors that drive the outputs to a differential low when the inputs are open. The inverting inputs (\overline{CLKA} and \overline{CLKB}) are biased with a $75k\Omega$ pullup to V_{CC} and a $75k\Omega$ pulldown to V_{EE} . The noninverting inputs ($CLKA$ and $CLKB$) are biased with a $75k\Omega$ pulldown to V_{EE} .

Specifications for the high and low voltages of a differential input (V_{IHD} and V_{ILD}) and the differential input voltage ($V_{IHD} - V_{ILD}$) apply simultaneously (V_{ILD} cannot be higher than V_{IHD}).

Output levels are referenced to V_{CC} and are considered LVPECL or LVECL, depending on the level of the V_{CC} supply. With V_{CC} connected to a positive supply and V_{EE} connected to GND, the outputs are LVPECL. The outputs are LVECL when V_{CC} is connected to GND and V_{EE} is connected to a negative supply.

A single-ended input of at least $V_{BB} \pm 95mV$ or a differential input of at least $95mV$ switches the outputs to the V_{OH} and V_{OL} levels specified in the *DC Electrical Characteristics* table.

Applications Information

Supply Bypassing

Bypass V_{CC} to V_{EE} with high-frequency surface-mount ceramic $0.1\mu F$ and $0.01\mu F$ capacitors in parallel as close to the device as possible, with the $0.01\mu F$ value capacitor closest to the device. Use multiple parallel vias for low inductance. When using the V_{BB} reference output, bypass it with a $0.01\mu F$ ceramic capacitor to V_{CC} (if the V_{BB} reference is not used, it can be left open).

Traces

Input and output trace characteristics affect the performance of the MAX9312/MAX9314.

Connect each signal of a differential input or output to a 50Ω characteristic impedance trace. Minimize the number of vias to prevent impedance discontinuities. Reduce reflections by maintaining the 50Ω characteristic impedance through connectors and across cables. Reduce skew within a differential pair by matching the electrical length of the traces.

Output Termination

Terminate outputs through 50Ω to $V_{CC} - 2V$ or use an equivalent Thevenin termination. When a single-ended signal is taken from a differential output, terminate both outputs. For example, if QA0 is used as a single-ended output, terminate both QA0 and $\overline{QA0}$.

Dual 1:5 Differential LVPECL/LVECL/HSTL Clock and Data Drivers

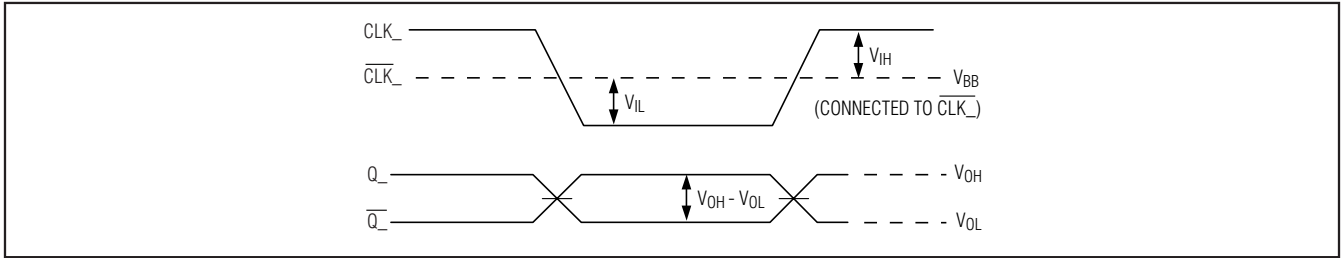


Figure 1. Switching with Single-Ended Input

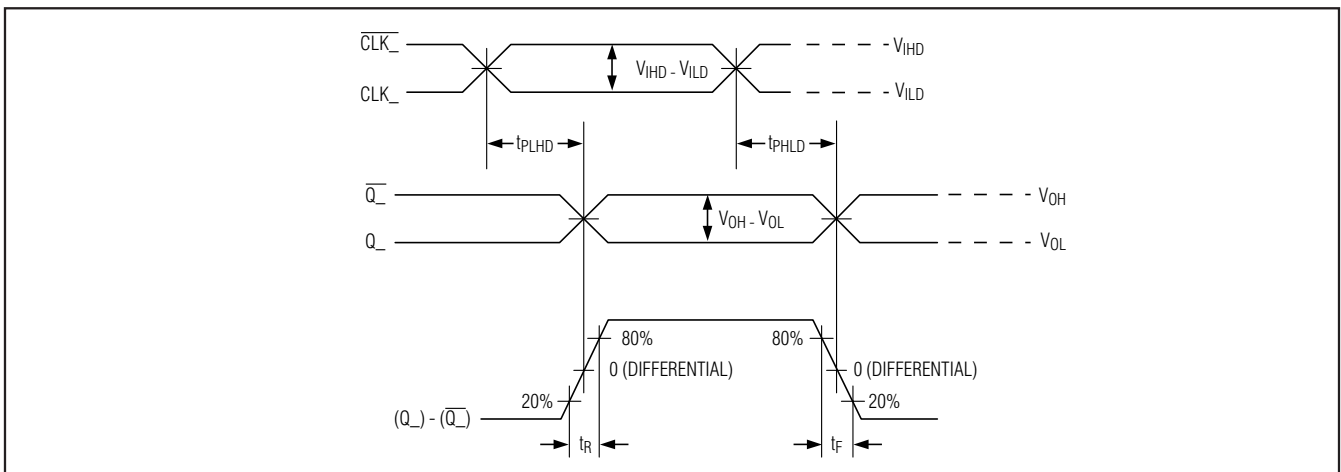
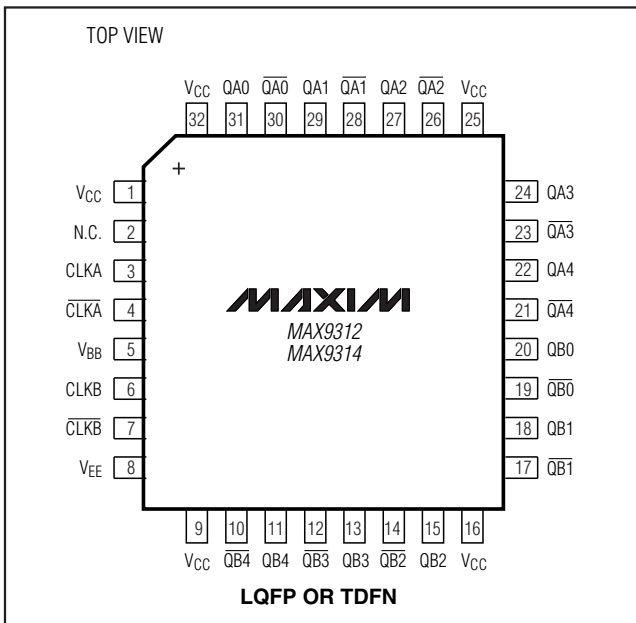


Figure 2. Differential Transition Time and Propagation Delay Timing Diagram

Pin Configuration



Chip Information

PROCESS: BIPOLAR

Package Information

For the latest package outline information and land patterns, go to www.maxim-ic.com/packages. Note that a "+", "#", or "-" in the package code indicates RoHS status only. Package drawings may show a different suffix character, but the drawing pertains to the package regardless of RoHS status.

| PACKAGE TYPE | PACKAGE CODE | DOCUMENT NO. |
|--------------|--------------|-------------------------|
| 32 LQFP | C32-1 | 21-0054 |
| 12 TQFN-EP | T3255+4 | 21-0140 |

Dual 1:5 Differential LVPECL/LVECL/HSTL Clock and Data Drivers

Revision History

| REVISION NUMBER | REVISION DATE | DESCRIPTION | PAGES CHANGED |
|-----------------|---------------|---------------------------------------------------------------------------------------------------------------------------|---------------|
| 2 | 4/09 | Added lead-free TQFN package for MAX9312, deleted future product packages for MAX9314, and updated <i>Pin Description</i> | 1, 6 |

MAX9312/MAX9314

Maxim cannot assume responsibility for use of any circuitry other than circuitry entirely embodied in a Maxim product. No circuit patent licenses are implied. Maxim reserves the right to change the circuitry and specifications without notice at any time.

Maxim Integrated Products, 120 San Gabriel Drive, Sunnyvale, CA 94086 408-737-7600 _____ 9



Компания «ЭлектроПласт» предлагает заключение долгосрочных отношений при поставках импортных электронных компонентов на взаимовыгодных условиях!

Наши преимущества:

- Оперативные поставки широкого спектра электронных компонентов отечественного и импортного производства напрямую от производителей и с крупнейших мировых складов;
- Поставка более 17-ти миллионов наименований электронных компонентов;
- Поставка сложных, дефицитных, либо снятых с производства позиций;
- Оперативные сроки поставки под заказ (от 5 рабочих дней);
- Экспресс доставка в любую точку России;
- Техническая поддержка проекта, помощь в подборе аналогов, поставка прототипов;
- Система менеджмента качества сертифицирована по Международному стандарту ISO 9001;
- Лицензия ФСБ на осуществление работ с использованием сведений, составляющих государственную тайну;
- Поставка специализированных компонентов (Xilinx, Altera, Analog Devices, Intersil, Interpoint, Microsemi, Aeroflex, Peregrine, Syfer, Eurofarad, Texas Instrument, Miteq, Cobham, E2V, MA-COM, Hittite, Mini-Circuits, General Dynamics и др.);

Помимо этого, одним из направлений компании «ЭлектроПласт» является направление «Источники питания». Мы предлагаем Вам помощь Конструкторского отдела:

- Подбор оптимального решения, техническое обоснование при выборе компонента;
- Подбор аналогов;
- Консультации по применению компонента;
- Поставка образцов и прототипов;
- Техническая поддержка проекта;
- Защита от снятия компонента с производства.



Как с нами связаться

Телефон: 8 (812) 309 58 32 (многоканальный)

Факс: 8 (812) 320-02-42

Электронная почта: org@eplast1.ru

Адрес: 198099, г. Санкт-Петербург, ул. Калинина, дом 2, корпус 4, литера А.