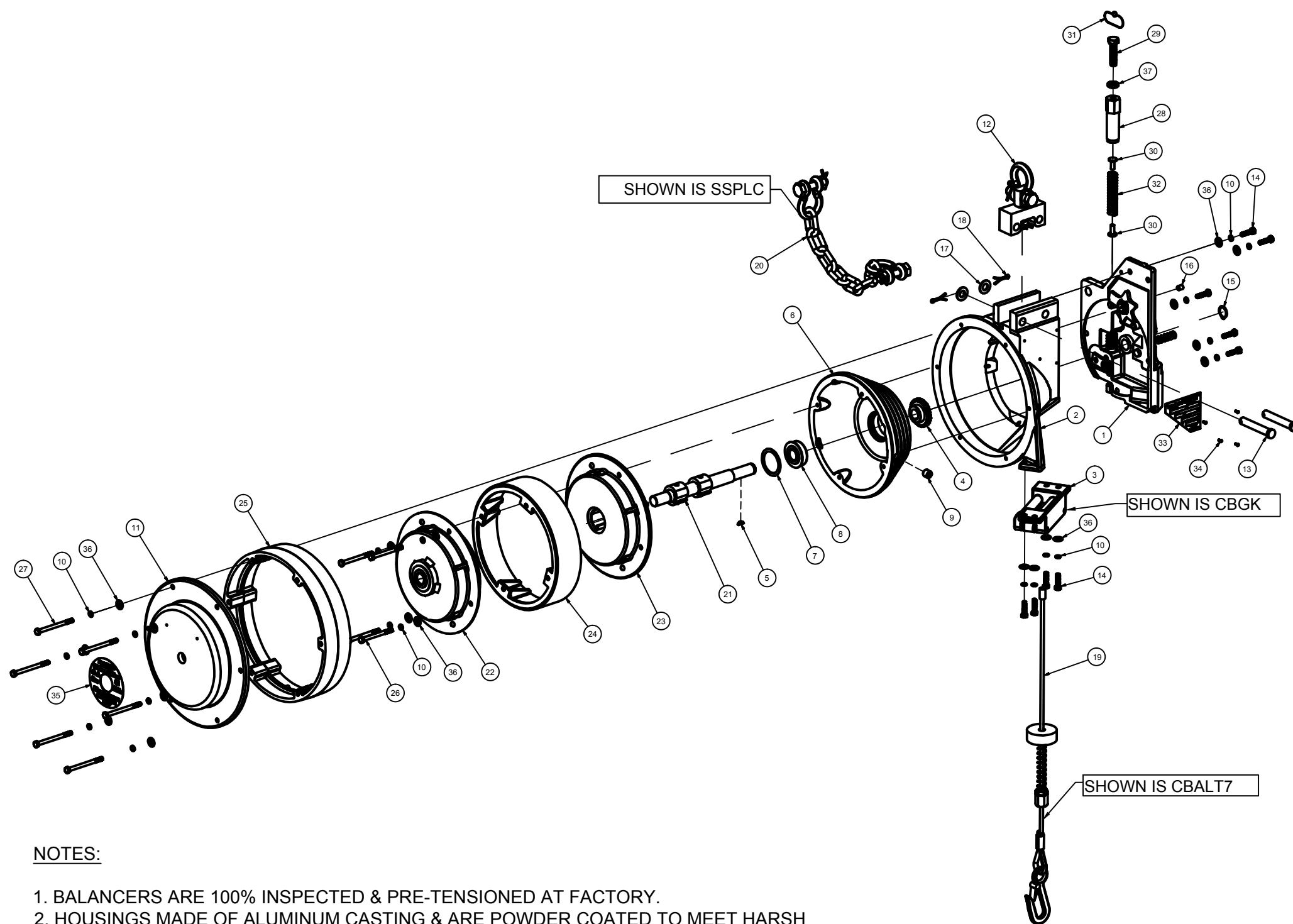


ALL DIMENSIONS ARE FOR REFERENCE ONLY.

SEE SHEET 3 & 4 EC NO: IPG2017-0163 DRWN: VOU 2016/08/24 CHKD: DNGUYEN 2016/08/26 APPR: JFMURPHY	DESCRIPTION REV	QUALITY SYMBOLS $\nabla=0$ $\sphericalangle=0$	GENERAL TOLERANCES (UNLESS SPECIFIED) <table border="1"> <thead> <tr> <th></th> <th>mm</th> <th>INCH</th> </tr> </thead> <tbody> <tr> <td>4 PLACES</td> <td>\pm---</td> <td>\pm---</td> </tr> <tr> <td>3 PLACES</td> <td>\pm---</td> <td>\pm.005</td> </tr> <tr> <td>2 PLACES</td> <td>\pm0.13</td> <td>\pm.010</td> </tr> <tr> <td>1 PLACE</td> <td>\pm0.25</td> <td>\pm.020</td> </tr> </tbody> </table>		mm	INCH	4 PLACES	\pm ---	\pm ---	3 PLACES	\pm ---	\pm .005	2 PLACES	\pm 0.13	\pm .010	1 PLACE	\pm 0.25	\pm .020	DIMENSION STYLE INCH [MM]	SCALE NTS	DESIGN UNITS INCH	THIRD ANGLE PROJECTION
			mm	INCH																		
		4 PLACES	\pm ---	\pm ---																		
		3 PLACES	\pm ---	\pm .005																		
2 PLACES	\pm 0.13	\pm .010																				
1 PLACE	\pm 0.25	\pm .020																				
DRAFT WHERE APPLICABLE MUST REMAIN WITHIN DIMENSIONS			DRAWN BY DATE VOU 2016/08/24	TITLE KA BALANCER SERIES SPECIFICATIONS																		
			APPROVED BY DATE DT 2009/02/26	MOLEX INCORPORATED																		
			MATERIAL NO. SEE CHART	DOCUMENT NO. SD-130172-002	SHEET NO. 1 OF 7																	

THIS DRAWING CONTAINS INFORMATION THAT IS PROPRIETARY TO MOLEX INCORPORATED AND SHOULD NOT BE USED WITHOUT WRITTEN PERMISSION



ITEM	MATERIAL NUMBER	ENGINEERING NUMBER	ITEM DESCRIPTION
1	SEE CHART	SEE CHART	BASE SUB-ASSEMBLY - POWDER BLUE
2	1301792332	59075HP-STND-BL	J/K BAL MAIN HOUSING - POWDER BLUE
3	1301790283	CBGK	CABLE GUIDE ASSY FOR KA BALANCERS
4	1301790476	31058	MAIN SHAFT GEAR
5	1301790109	751-P-10	WOODRUFF KEY
6	SEE CHART	SEE CHART	DRUM ASSY FOR KA BALANCERS
7	1301790094	581-P-70	INTERNAL RETAINING RING
8	1301790080	376-P-10	FLANGE BEARING
9	1301790113	827-P-10	1/4"NPTx7/16"LG PIPE PLUG
10	1301790003	101-P-30	1/4-SPLIT LOCK WASHER
11	1301790668	31368-1	J/K COVER - POWDER BLUE
12	SEE CHART	SEE CHART	UPPER SHACKLE ASSY FOR KA BALANCER
13	1301790012	1235-P-2	CLEVIS PIN
14	1301790171	AG19321	M6X22LG HEX HD BOLT
15	1301790151	AG12175	EXTERNAL RETAINING RING FOR J/K SHAFT
16	1301790149	AG12167	M8X1.25 - 10LG SKT SCREW J/K BAL
17	1301790146	AG10220	M12 PLAIN WASHER 24mm O.D. BZP
18	1301790027	228-P-12	PIN SPLIT 1/8 x 1.0 - BZP
19	SEE CHART	SEE CHART	CABLE ASSEMBLY FOR KA BALANCERS
20	SEE CHART	SEE CHART	SECONDARY SUPPORT KA BALANCERS
21	1301790491	31240-1	MAINSHAFT ASSY FOR KA BALANCERS
22	SEE CHART	SEE CHART	OUTER SPRING ASSY FOR KA BALANCER
23	SEE CHART	SEE CHART	INNER SPRING ASSY FOR KA BALANCER
24	1301790489	31239-1	SPRINGS SEPARATOR RING - KA BALANCER
25	1301790523	59078-1	KA HOUSING EXTENSION - POWDER BLUE
26	1301790535	AG12171	M6X70LG HEX HEAD BOLT
27	1301790537	AG12188	M6X80LG HEX HEAD BOLT
28	1301790494	31246-UK	SPRING RETAINER FOR KA BALANCER
29	1301790565	AG12174-1	DRILLED AG12174 - FOR SAFETY SPRING
30	1301790496	31268	SEAT SPRING FOR J/K BALANCERS
31	1301790516	37384	LEAD SEAL WITH LOCK - FOR KA BALANCER
32	SEE CHART	SEE CHART	COMPRESSION SPRING
33	1302264665	AG10002	GLOBAL TRAPEZ LABEL
34	1301790112	76-P-30-SS	#2 X 1/4 LONG, TYPE-U DRIVE SCREW SS
35	1302280761	M13060124	ROUND WHITE GLOBAL LABEL
36	1301790015	126-P-50	WASHER-[.28in ID]x[.63in OD]x[.06in TK]
37	1301790533	AG12169	M10 X 1.5 LOCK NUT

FOR INDIVIDUAL REPAIR PART NUMBERS PLEASE CONTACT YOUR LOCAL SALES REP.

NOTES:

- BALANCERS ARE 100% INSPECTED & PRE-TENSIONED AT FACTORY.
- HOUSINGS MADE OF ALUMINUM CASTING & ARE POWDER COATED TO MEET HARSH INDUSTRIAL ENVIRONMENTS.
- ALWAYS READ INSTRUCTIONS MANUAL BEFORE USING BALANCERS.
- BALANCERS ARE NOT TO BE USED AS RETRACTORS. THEIR MAIN PURPOSE IS TO BALANCE A LOAD AND NOT TO RETRACT ONE.
- OVERALL DIMENSIONS ARE FOR REFERENCE ONLY.
- STANDARD CATALOG BALANCERS ARE EQUIPPED WITH SAFETY CHAIN BUT IF APPLICATION REQUIRES NO SAFETY CHAIN ADD "D" SUFFIX TO STANDARD BALANCER P/N: EXAMPLE 125KAD
- WHEN MOUNTING BALANCER, ALWAYS MAKE SURE THE SAFETY PIN THAT COMES WITH THE SHACKLE IS INSTALLED & SECURED.

SEE SHEET 3 & 4 EC NO: IPG2017-0163 DRWN: VOU 2016/08/24 CHKD: DNGUYEN 2016/08/26 APPR: JFMURPHY	DESCRIPTION REV	QUALITY SYMBOLS ▽=0 ◁=0	GENERAL TOLERANCES (UNLESS SPECIFIED)		DIMENSION STYLE INCH [MM]		SCALE NTS	DESIGN UNITS INCH	THIRD ANGLE PROJECTION		
			mm	INCH	DRAWN BY	DATE	KA BALANCER SERIES SPECIFICATIONS				
		4 PLACES	±---	±---	VOU	2016/08/24					
		3 PLACES	±---	±.005	CHECKED BY	DATE	MOLEX INCORPORATED				
2 PLACES	±0.13	±.010	DT	2009/02/26							
1 PLACE	±0.25	±.020	APPROVED BY	DATE	MATERIAL NO. SEE CHART		DOCUMENT NO. SD-130172-002	SHEET NO. 2 OF 7			
DRAFT WHERE APPLICABLE MUST REMAIN WITHIN DIMENSIONS			SIZE B		THIS DRAWING CONTAINS INFORMATION THAT IS PROPRIETARY TO MOLEX INCORPORATED AND SHOULD NOT BE USED WITHOUT WRITTEN PERMISSION						

BALANCER MODEL:		LOAD CAPACITY CHART:		ITEMS INDEX AS PER BOM TABLE USED BY EACH MODEL:											
		WIEGHT RANGE FOR EACH BALANCER MODEL:		ITEM #1:	ITEM #6:	ITEM #22:	ITEM #23:	ITEM #32:	ITEM 12 SHACKLE ASSY USED BY EACH MODEL:		ITEM 19 CABLE ASSEMBLY USED BY EACH MODEL:			ITEM 20 SAFETY CHAIN USED BY EACH MODEL:	
		MATERIAL NUMBER	MODEL NUMBER	IN LBS	IN KGS	MATERIAL NUMBER	MATERIAL NUMBER	MATERIAL NUMBER	MATERIAL NUMBER	MATERIAL NUMBER	MATERIAL NUMBER	REPAIR KIT NUMBER	MATERIAL NUMBER	REPAIR KIT NUMBER	CABLE LENGTH
1301720875	115KA	85 - 115	38 - 52	1301790587	1301790610	1301792397	1301792407	1301790492	1301790335	UHKKS	1301790280	CBALT7	7 FEET	1301790329	SSPLC
1301720785	125KA	115 - 125	52 - 57			1301792398	1301792408	1301790492							
1301720786	145KA	124 - 145	56 - 66			1301792399	1301792409	1301790493							
1301720787	165KA	143 - 165	65 - 75			1301792400	1301792410	1301790493							
1301720788	175KA	159 - 175	72 - 79			1301792401	1301792411	1302261318							
1301720098	200KA	175 - 200	79 - 91			1301792402	1301792412	1302261318							
1301720116	220KA	200 - 220	91 - 100			1301790712	1301790722	1302261318							
1301720124	240KA	220 - 243	100 - 110	1301790587	1301790610	1301790713	1301790723	1302261318			1301790280	CBALT7	7 FEET		
1301720313	9110KA	80 - 110	36 - 50	1301794778	1301790611	1301792403	1301792413	1301790492			1301790281	CBALT9	9 FEET		
1301720320	9120KA	115 - 126	52 - 57	1301794778	1301790611	1301792404	1301792414	1301790492			1301790281	CBALT9	9 FEET		
1301720325	9140KA	125 - 130	56 - 58	1301794778	1301790611	1301792405	1301792415	1301790493			1301790281	CBALT9	9 FEET		
1301720330	9150KA	TBD - 145	TBD - 66	1301794778	1301790611	1301792406	1301792416	1301790493			1301790281	CBALT9	9 FEET		
1301720822	125KAD	115 - 125	52 - 57	1301790587	1301790610	1301792398	1301792408	1301790492			1301790280	CBALT7	7 FEET		
1301720829	145KAD	124 - 145	61 - 65			1301792399	1301792409	1301790493							
1301710248	200KAD	175 - 200	79 - 91			1301792402	1301792412	1302261318							
1301710249	220KAD	200 - 220	91 - 100	1301790587	1301790610	1301790712	1301790722	1302261318	1301790335	UHKKS	1301790280	CBALT7	7 FEET	1301790329	SSPLC

IMPORTANT NOTE:
PLEASE NOTE THAT MODELS WITHOUT A SAFETY CHAIN OR "KAD" SERIES ARE NOT AVAILABLE FOR SALE IN NORTH AMERICA. THESE SERIES ARE AVAILABLE FOR SALE ONLY IN EU STATES.

SEE SHEET 3 & 4 EC NO: IPG2017-0163 DRWN: VOU 2016/08/24 CHKD: DNGUYEN 2016/08/26 APPR: JFMURPHY	QUALITY SYMBOLS	GENERAL TOLERANCES (UNLESS SPECIFIED)		DIMENSION STYLE INCH [MM]		SCALE NTS	DESIGN UNITS INCH	THIRD ANGLE PROJECTION	
	= 0 = 0	mm	INCH	DRAWN BY	DATE	TITLE KA BALANCER SERIES SPECIFICATIONS			
		4 PLACES	±---	±---	VOU				
		3 PLACES	±---	±.005	CHECKED BY	DATE			
		2 PLACES	±0.13	±.010	DT	2009/02/26			
1 PLACE	±0.25	±.020	APPROVED BY	DATE	MOLEX INCORPORATED DOCUMENT NO. SD-130172-002 SHEET NO. 3 OF 7				
ANGULAR ±.5°		MATERIAL NO. SEE CHART							
DRAFT WHERE APPLICABLE MUST REMAIN WITHIN DIMENSIONS		SIZE B		THIS DRAWING CONTAINS INFORMATION THAT IS PROPRIETARY TO MOLEX INCORPORATED AND SHOULD NOT BE USED WITHOUT WRITTEN PERMISSION					

BALANCER MODEL:		LOAD CAPACITY CHART:		ITEMS INDEX AS PER BOM TABLE USED BY EACH MODEL:											
				WIEGHT RANGE FOR EACH BALANCER MODEL:		ITEM #1:	ITEM #6:	ITEM #22:	ITEM #23:	ITEM #32:	ITEM 12 SHACKLE ASSY USED BY EACH MODEL:		ITEM 19 CABLE ASSEMBLY USED BY EACH MODEL:		
		MATERIAL NUMBER	MODEL NUMBER	IN LBS	IN KGS	MATERIAL NUMBER	MATERIAL NUMBER	MATERIAL NUMBER	MATERIAL NUMBER	MATERIAL NUMBER	MATERIAL NUMBER	REPAIR KIT NUMBER	MATERIAL NUMBER	REPAIR KIT NUMBER	CABLE LENGTH
1301720876	115KAB	84 - 115	38 - 52	1301790587	1301790610	1301792397	1301792407	1301790492	1301790335	UHKKS	1301790278	CBALB7	7 FEET	1301790329	SSPLC
1301720818	125KAB	115 - 125	52 - 57			1301792398	1301792408	1301790492							
1301720826	145KAB	124 - 145	56 - 66			1301792399	1301792409	1301790493							
1301720835	165KAB	143 - 165	65 - 75			1301792400	1301792410	1301790493							
1301720844	175KAB	159 - 175	72 - 79			1301792401	1301792411	1302261318							
1301720719	200KAB	175 - 200	79 - 91			1301792402	1301792412	1302261318							
1301720877	115KABC	84 - 115	38 - 52			1301792397	1301792407	1301790492			1301794890	CBALBC7	7 FEET		
1301720819	125KABC	115 - 125	52 - 57			1301792398	1301792408	1301790492							
1301720827	145KABC	124 - 145	56 - 66			1301792399	1301792409	1301790493							
1301720836	165KABC	143 - 165	65 - 75			1301792400	1301792410	1301790493							
1301720845	175KABC	159 - 175	72 - 79			1301792401	1301792411	1302261318							
1301720853	200KABC	175 - 200	79 - 91			1301792402	1301792412	1302261318							
1301720453	220KABC	200 - 220	91 - 100			1301790712	1301790722	1302261318							
1301720454	240KABC	220 - 243	100-110	1301790587	1301790610	1301790713	1301790723	1302261318	1301790335	UHKKS	1301794890	CBALBC7	7 FEET	1301790329	SSPLC

SEE SHEET 3 & 4 EC NO: IPG2017-0163 DRWN: VOU 2016/08/24 CHKD: DNGUYEN 2016/08/26 APPR: JFMURPHY	QUALITY SYMBOLS = 0 = 0	GENERAL TOLERANCES (UNLESS SPECIFIED)		DIMENSION STYLE INCH [MM]		SCALE NTS	DESIGN UNITS INCH	THIRD ANGLE PROJECTION		
						DRAWN BY DATE		TITLE KA BALANCER SERIES SPECIFICATIONS		
						VOU 2016/08/24				
						CHECKED BY DATE		MATERIAL NO. SEE CHART		
				DT 2009/02/26						
				APPROVED BY DATE		DOCUMENT NO. SD-130172-002		SHEET NO. 4 OF 7		
				ANGULAR ±.5°		THIS DRAWING CONTAINS INFORMATION THAT IS PROPRIETARY TO MOLEX INCORPORATED AND SHOULD NOT BE USED WITHOUT WRITTEN PERMISSION				
				DRAFT WHERE APPLICABLE MUST REMAIN WITHIN DIMENSIONS						

**CABLE ASSY - 7 & 9FT
W/BULLARD HOOK &
ADJUSTABLE CLAMPS:**

MATERIAL NUMBER	REPAIR KIT NUMBER
1301794890	CBALBC7
1301794891	CBALBC9

**CABLE ASSY - 7 & 9FT
W/BULLARD HOOK
HARD SWAGED:**

MATERIAL NUMBER	REPAIR KIT NUMBER
1301790278	CBALB7
1301790279	CBALB9

**CABLE ASSY - 7 & 9FT
W/EYE HOOK & CLIP
HARD SWAGED:**

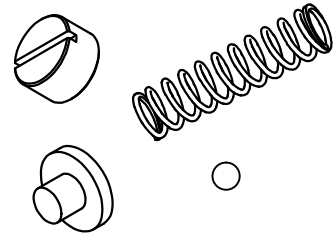
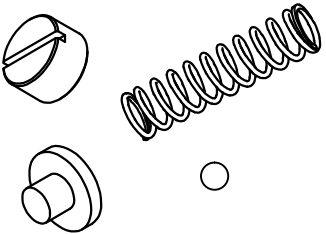
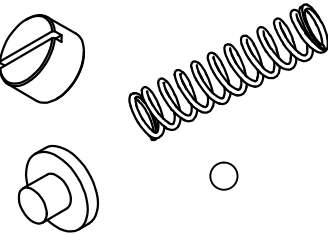
MATERIAL NUMBER	REPAIR KIT NUMBER
1301790280	CBALT7
1301790281	CBALT9

**CABLE ASSY - 7 & 9FT
W/EYE HOOK & CLIP
ADJUSTABLE CLAMPS:**

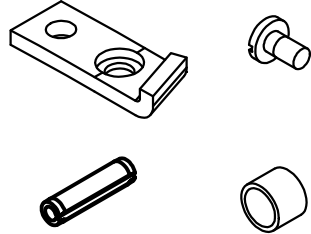
MATERIAL NUMBER	REPAIR KIT NUMBER
1301794892	CBALTC7
1301794893	CBALTC9

SEE SHEET 3 & 4 EC NO: IPG2017-0163 DRWN: VOU 2016/08/24 CHKD: DNGUYEN 2016/08/26 APPR: JFMURPHY	REV DESCRIPTION	QUALITY SYMBOLS	GENERAL TOLERANCES (UNLESS SPECIFIED) mm INCH 4 PLACES ±--- ±--- 3 PLACES ±--- ±.005 2 PLACES ±0.13 ±.010 1 PLACE ±0.25 ±.020 ANGULAR ±.5° DRAFT WHERE APPLICABLE MUST REMAIN WITHIN DIMENSIONS	DIMENSION STYLE INCH [MM] DRAWN BY DATE VOU 2016/08/24 CHECKED BY DATE DT 2009/02/26 APPROVED BY DATE --- ---	SCALE NTS DESIGN UNITS INCH THIRD ANGLE PROJECTION	TITLE KA BALANCER SERIES SPECIFICATIONS MOLEX INCORPORATED	DOCUMENT NO. SD-130172-002 SHEET NO. 5 OF 7
		▽=0 ∇=0					
		SEE CHART					
		THIS DRAWING CONTAINS INFORMATION THAT IS PROPRIETARY TO MOLEX INCORPORATED AND SHOULD NOT BE USED WITHOUT WRITTEN PERMISSION					

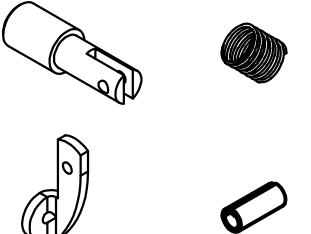
DROP STOP ACTUATOR REPAIR KITS:

MATERIAL NUMBER	REPAIR KIT NUMBER	MATERIAL NUMBER	REPAIR KIT NUMBER	MATERIAL NUMBER	REPAIR KIT NUMBER
1301790299	DSAKA	1301790300	DSAKB	1301790301	DSAKC
					
USED FOR REPAIRS ON FOLLOWING MODELS:		USED FOR REPAIRS ON FOLLOWING MODELS:		USED FOR REPAIRS ON FOLLOWING MODELS:	
MODEL NUMBERS		MODEL NUMBERS		MODEL NUMBERS	
115KA, & VARIATIONS		145KA, & VARIATIONS		175KA, & VARIATIONS	
125KA, & VARIATIONS		165KA, & VARIATIONS		200KA, & VARIATIONS	
				220KA, & VARIATIONS	
				240KA, & VARIATIONS	

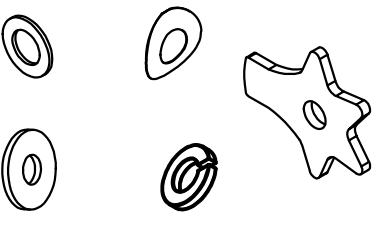
DROP STOP LEVER REPAIR KIT:

MATERIAL NUMBER	REPAIR KIT NUMBER
1301790302	DSLK
	
USED FOR REPAIRS ON FOLLOWING MODELS:	
MODEL NUMBER	
<p>ALL KA MODELS WILL BE USING THIS REPAIR KIT TO REPLACE THE DROP STOP ASSY</p> <p>FOR ALL P/N PLEASE SEE MATERIALS TABLE ON SHEETS 3 AND 4.</p>	

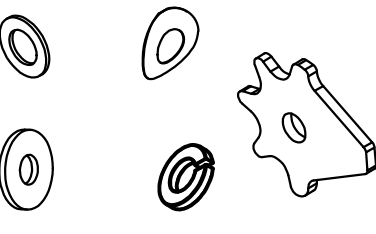
DRUM LOCK REPAIR KIT:

MATERIAL NUMBER	REPAIR KIT NUMBER
1301790288	DLKK
	
USED FOR REPAIRS ON FOLLOWING MODELS:	
MODEL NUMBER	
<p>ALL KA MODELS WILL BE USING THIS REPAIR KIT TO REPLACE THE DRUM LOCK ASSY</p> <p>FOR ALL P/N PLEASE SEE MATERIALS TABLE ON SHEETS 3 AND 4.</p>	

STAR WHEEL FOR 7FT TRAVEL - REPAIR KIT:

MATERIAL NUMBER	REPAIR KIT NUMBER
1301790330	STAL7
	
USED FOR REPAIRS ON FOLLOWING MODELS:	
MODEL NUMBER	
<p>ALL KA MODELS WITH A 7 FT TRAVEL WILL BE USING THIS REPAIR KIT TO REPLACE THE STAR WHEEL ASSY</p> <p>FOR ALL P/N PLEASE SEE MATERIALS TABLE ON SHEETS 3 AND 4.</p>	

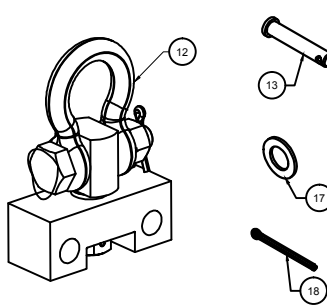
STAR WHEEL FOR 9FT TRAVEL - REPAIR KIT:

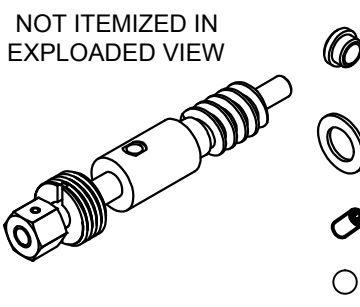
MATERIAL NUMBER	REPAIR KIT NUMBER
1301790331	STAL9
	
USED FOR REPAIRS ON FOLLOWING MODELS:	
MODEL NUMBER	
<p>ALL KA MODELS WITH A 9 FT TRAVEL WILL BE USING THIS REPAIR KIT TO REPLACE THE STAR WHEEL ASSY</p> <p>FOR ALL P/N PLEASE SEE MATERIALS TABLE ON SHEETS 3 AND 4.</p>	

FOR MORE DETAILS ON EVERY REPAIR KIT PLEASE SEE THEIR ASSIGNED DRAWINGS.

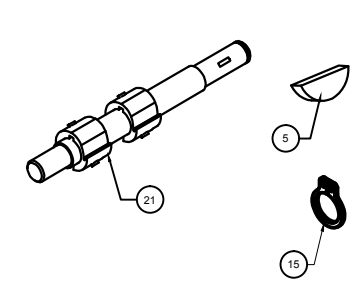
FOR INDIVIDUAL REPAIR PART NUMBERS PLEASE CONTACT YOUR LOCAL SALES REP.

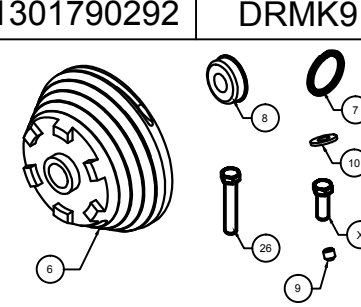
SEE SHEET 3 & 4 EC NO: IPG2017-0163 DRWN: VOU 2016/08/24 CHKD: DNGUYEN 2016/08/26 APPR: JFMURPHY	QUALITY SYMBOLS = 0 = 0	GENERAL TOLERANCES (UNLESS SPECIFIED)		DIMENSION STYLE INCH [MM]		SCALE NTS	DESIGN UNITS INCH	THIRD ANGLE PROJECTION	
		4 PLACES ±--- ±---	DRAWN BY VOU	DATE 2016/08/24	TITLE KA BALANCER SERIES SPECIFICATIONS				
		3 PLACES ±--- ±.005	CHECKED BY DT	DATE 2009/02/26	MOLEX INCORPORATED				
		2 PLACES ±0.13 ±.010 1 PLACE ±0.25 ±.020 ANGULAR ±.5°	APPROVED BY ---	DATE ---	MATERIAL NO. SEE CHART	DOCUMENT NO. SD-130172-002	SHEET NO. 6 OF 7		
DRAFT WHERE APPLICABLE MUST REMAIN WITHIN DIMENSIONS	SIZE B	THIS DRAWING CONTAINS INFORMATION THAT IS PROPRIETARY TO MOLEX INCORPORATED AND SHOULD NOT BE USED WITHOUT WRITTEN PERMISSION							

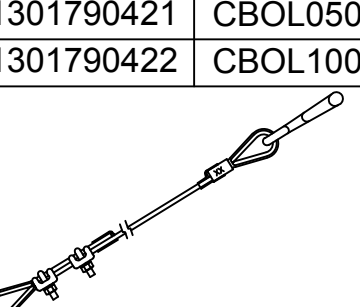
UPPER SHACKLE ASSY FOR KA - REPAIR KIT:	
MATERIAL NUMBER	REPAIR KIT NUMBER
1301790335	UHKKS
	
USED FOR REPAIRS ON FOLLOWING MODELS:	
MODEL NUMBER	
<p>ALL KA MODELS WILL BE USING THIS REPAIR KIT TO REPLACE THE UPPER SHACKLE ASSY</p> <p>FOR ALL P/N PLEASE SEE MATERIALS TABLE ON SHEETS 3 AND 4.</p>	

WORK GEAR SHAFT ASSY FOR KA - REPAIR KIT:	
MATERIAL NUMBER	REPAIR KIT NUMBER
1301790340	WRMK
<p>NOT ITEMIZED IN EXPLODED VIEW</p> 	
USED FOR REPAIRS ON FOLLOWING MODELS:	
MODEL NUMBER	
<p>ALL KA MODELS WILL BE USING THIS REPAIR KIT TO REPLACE THE WORM SHAFT ASSY</p> <p>FOR ALL P/N PLEASE SEE MATERIALS TABLE ON SHEETS 3 AND 4.</p>	

CABLE GUIDE ASSEMBLY FOR KA - REPAIR KIT:	
MATERIAL NUMBER	REPAIR KIT NUMBER
1301790283	CBGK
	
USED FOR REPAIRS ON FOLLOWING MODELS:	
MODEL NUMBER	
<p>ALL KA MODELS WILL BE USING THIS REPAIR KIT TO REPLACE THE CABLE GUIDE ASSY</p> <p>FOR ALL P/N PLEASE SEE MATERIALS TABLE ON SHEETS 3 AND 4.</p>	

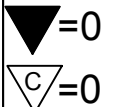

MAIN SHAFT ASSEMBLY FOR KA - REPAIR KIT:	
MATERIAL NUMBER	REPAIR KIT NUMBER
1301790325	SHFK
	
USED FOR REPAIRS ON FOLLOWING MODELS:	
MODEL NUMBER	
<p>ALL KA MODELS WILL BE USING THIS REPAIR KIT TO REPLACE THE MAIN SHAFT ASSY</p> <p>FOR ALL P/N PLEASE SEE MATERIALS TABLE ON SHEETS 3 AND 4.</p>	

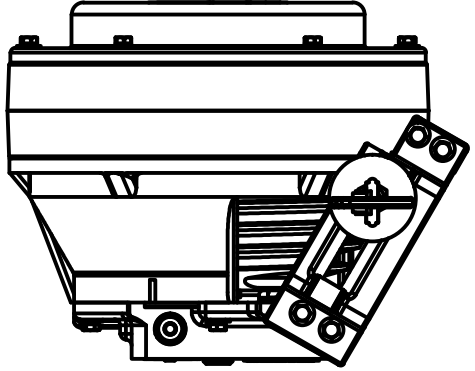
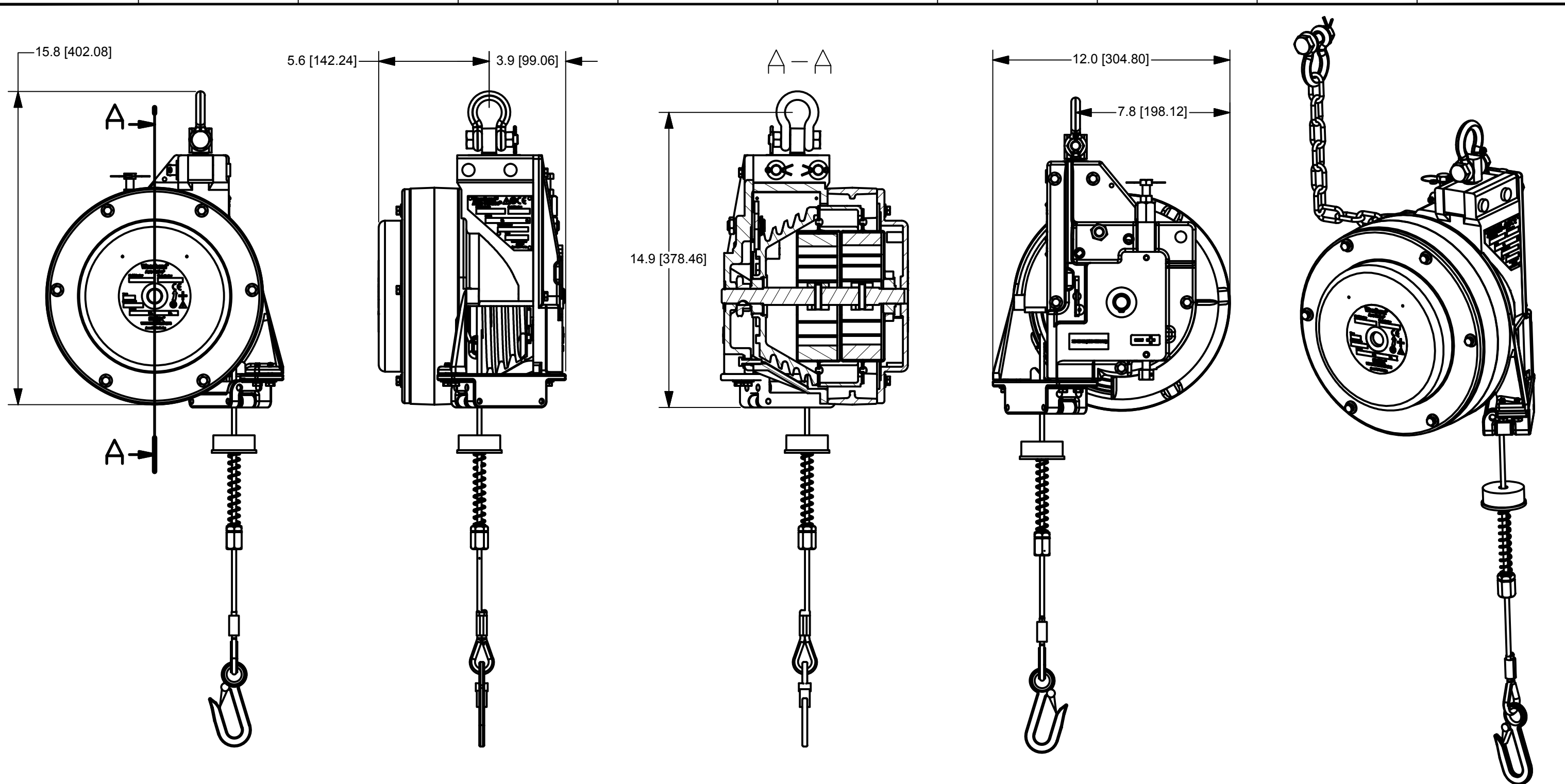
KA DRUM FOR 7FT & 9FT TRAVEL - REPAIR KIT:	
MATERIAL NUMBER	REPAIR KIT NUMBER
1301790291	DRMK7
1301790292	DRMK9
	
USED FOR REPAIRS ON FOLLOWING MODELS:	
MODEL NUMBER	
<p>ALL KA MODELS W/ 7FT TRAVEL WILL USE THE DRMK7.</p> <p>ALL KA MODELS W/ 9FT TRAVEL WILL USE THE DRMK9.</p> <p>FOR ALL P/N PLEASE SEE MATERIALS TABLE ON SHEETS 3 AND 4.</p>	

OVERHANG CABLE EXTENSIONS FOR KA:	
MATERIAL NUMBER	REPAIR KIT NUMBER
1301790420	CBOL020
1301790421	CBOL050
1301790422	CBOL100
	
USED FOR REPAIRS ON FOLLOWING MODELS:	
MODEL NUMBER	
<p>ALL KA MODELS CAN USE THESE OVERHANG CABLES TO EXTEND THE TOOL OR LOAD REACH. THE OVERHANG CABLES WILL NOT INCREASE LOAD TRAVEL. FOR ALL P/N PLEASE SEE MATERIALS TABLE ON SHEETS 3 AND 4.</p>	

FOR MORE DETAILS ON EVERY REPAIR KIT PLEASE SEE THEIR ASSIGNED DRAWINGS.

FOR INDIVIDUAL REPAIR PART NUMBERS PLEASE CONTACT YOUR LOCAL SALES REP.

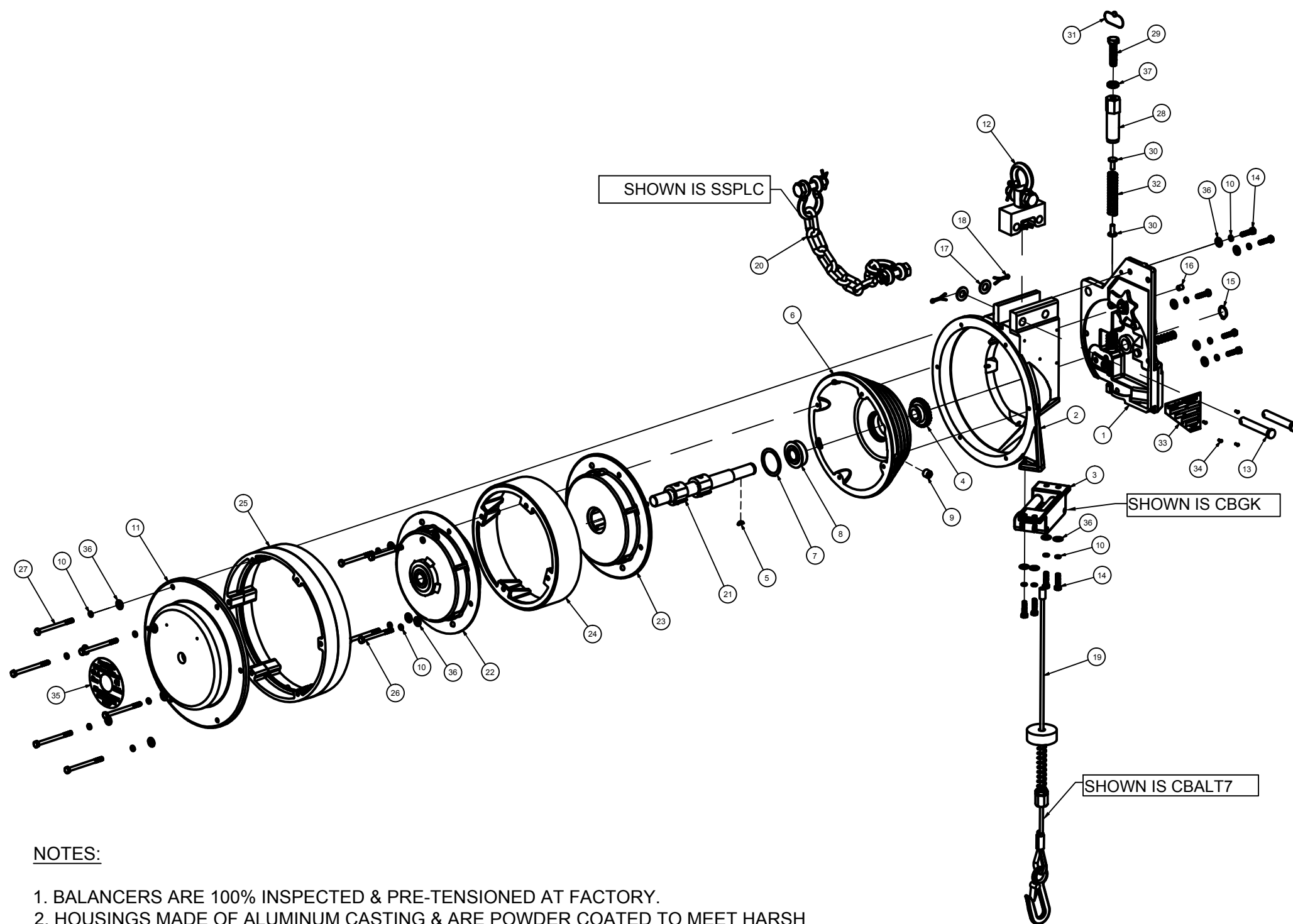
SEE SHEET 3 & 4 EC NO: IPG2017-0163 DRWN: VOU 2016/08/24 CHKD: DNGUYEN 2016/08/26 APPR: JFMURPHY	DESCRIPTION REV	QUALITY SYMBOLS 	GENERAL TOLERANCES (UNLESS SPECIFIED)		DIMENSION STYLE INCH [MM]		SCALE NTS	DESIGN UNITS INCH	 THIRD ANGLE PROJECTION
			4 PLACES	±---	±---	DRAWN BY	DATE	TITLE	
			3 PLACES	±---	±.005	VOU	2016/08/24	KA BALANCER SERIES SPECIFICATIONS	
			2 PLACES	±0.13	±.010	CHECKED BY	DATE		
1 PLACE	±0.25	±.020	DT	2009/02/26	MOLEX INCORPORATED				
ANGULAR ±.5°			DRAFT WHERE APPLICABLE MUST REMAIN WITHIN DIMENSIONS		SEE CHART	DOCUMENT NO. SD-130172-002	SHEET NO. 7 OF 7		
THIS DRAWING CONTAINS INFORMATION THAT IS PROPRIETARY TO MOLEX INCORPORATED AND SHOULD NOT BE USED WITHOUT WRITTEN PERMISSION									



ALL DIMENSIONS ARE FOR REFERENCE ONLY.

SEE SHEET 3 & 4 EC NO: IPG2017-0163 DRWN: VOU 2016/08/24 CHKD: DNGUYEN 2016/08/26 APPR: JFMURPHY	DESCRIPTION REV	QUALITY SYMBOLS $\nabla = 0$ $\triangle C = 0$	GENERAL TOLERANCES (UNLESS SPECIFIED) <table border="1"> <thead> <tr> <th></th> <th>mm</th> <th>INCH</th> </tr> </thead> <tbody> <tr> <td>4 PLACES</td> <td>±---</td> <td>±---</td> </tr> <tr> <td>3 PLACES</td> <td>±---</td> <td>±.005</td> </tr> <tr> <td>2 PLACES</td> <td>±0.13</td> <td>±.010</td> </tr> <tr> <td>1 PLACE</td> <td>±0.25</td> <td>±.020</td> </tr> </tbody> </table>		mm	INCH	4 PLACES	±---	±---	3 PLACES	±---	±.005	2 PLACES	±0.13	±.010	1 PLACE	±0.25	±.020	DIMENSION STYLE INCH [MM]	SCALE NTS	DESIGN UNITS INCH	THIRD ANGLE PROJECTION
			mm	INCH																		
		4 PLACES	±---	±---																		
		3 PLACES	±---	±.005																		
2 PLACES	±0.13	±.010																				
1 PLACE	±0.25	±.020																				
DRAFT WHERE APPLICABLE MUST REMAIN WITHIN DIMENSIONS			DRAWN BY DATE VOU 2016/08/24	TITLE KA BALANCER SERIES SPECIFICATIONS																		
			CHECKED BY DATE DT 2009/02/26	MOLEX INCORPORATED																		
			APPROVED BY DATE ---	MATERIAL NO. SEE CHART	DOCUMENT NO. SD-130172-002	SHEET NO. 1 OF 7																

THIS DRAWING CONTAINS INFORMATION THAT IS PROPRIETARY TO MOLEX INCORPORATED AND SHOULD NOT BE USED WITHOUT WRITTEN PERMISSION



ITEM	MATERIAL NUMBER	ENGINEERING NUMBER	ITEM DESCRIPTION
1	SEE CHART	SEE CHART	BASE SUB-ASSEMBLY - POWDER BLUE
2	1301792332	59075HP-STND-BL	J/K BAL MAIN HOUSING - POWDER BLUE
3	1301790283	CBGK	CABLE GUIDE ASSY FOR KA BALANCERS
4	1301790476	31058	MAIN SHAFT GEAR
5	1301790109	751-P-10	WOODRUFF KEY
6	SEE CHART	SEE CHART	DRUM ASSY FOR KA BALANCERS
7	1301790094	581-P-70	INTERNAL RETAINING RING
8	1301790080	376-P-10	FLANGE BEARING
9	1301790113	827-P-10	1/4"NPTx7/16"LG PIPE PLUG
10	1301790003	101-P-30	1/4-SPLIT LOCK WASHER
11	1301790668	31368-1	J/K COVER - POWDER BLUE
12	SEE CHART	SEE CHART	UPPER SHACKLE ASSY FOR KA BALANCER
13	1301790012	1235-P-2	CLEVIS PIN
14	1301790171	AG19321	M6X22LG HEX HD BOLT
15	1301790151	AG12175	EXTERNAL RETAINING RING FOR J/K SHAFT
16	1301790149	AG12167	M8X1.25 - 10LG SKT SCREW J/K BAL
17	1301790146	AG10220	M12 PLAIN WASHER 24mm O.D. BZP
18	1301790027	228-P-12	PIN SPLIT 1/8 x 1.0 - BZP
19	SEE CHART	SEE CHART	CABLE ASSEMBLY FOR KA BALANCERS
20	SEE CHART	SEE CHART	SECONDARY SUPPORT KA BALANCERS
21	1301790491	31240-1	MAINSHAFT ASSY FOR KA BALANCERS
22	SEE CHART	SEE CHART	OUTER SPRING ASSY FOR KA BALANCER
23	SEE CHART	SEE CHART	INNER SPRING ASSY FOR KA BALANCER
24	1301790489	31239-1	SPRINGS SEPARATOR RING - KA BALANCER
25	1301790523	59078-1	KA HOUSING EXTENSION - POWDER BLUE
26	1301790535	AG12171	M6X70LG HEX HEAD BOLT
27	1301790537	AG12188	M6X80LG HEX HEAD BOLT
28	1301790494	31246-UK	SPRING RETAINER FOR KA BALANCER
29	1301790565	AG12174-1	DRILLED AG12174 - FOR SAFETY SPRING
30	1301790496	31268	SEAT SPRING FOR J/K BALANCERS
31	1301790516	37384	LEAD SEAL WITH LOCK - FOR KA BALANCER
32	SEE CHART	SEE CHART	COMPRESSION SPRING
33	1302264665	AG10002	GLOBAL TRAPEZ LABEL
34	1301790112	76-P-30-SS	#2 X 1/4 LONG, TYPE-U DRIVE SCREW SS
35	1302280761	M13060124	ROUND WHITE GLOBAL LABEL
36	1301790015	126-P-50	WASHER-[.28in ID]x[.63in OD]x[.06in TK]
37	1301790533	AG12169	M10 X 1.5 LOCK NUT

FOR INDIVIDUAL REPAIR PART NUMBERS PLEASE CONTACT YOUR LOCAL SALES REP.

NOTES:

- BALANCERS ARE 100% INSPECTED & PRE-TENSIONED AT FACTORY.
- HOUSINGS MADE OF ALUMINUM CASTING & ARE POWDER COATED TO MEET HARSH INDUSTRIAL ENVIRONMENTS.
- ALWAYS READ INSTRUCTIONS MANUAL BEFORE USING BALANCERS.
- BALANCERS ARE NOT TO BE USED AS RETRACTORS. THEIR MAIN PURPOSE IS TO BALANCE A LOAD AND NOT TO RETRACT ONE.
- OVERALL DIMENSIONS ARE FOR REFERENCE ONLY.
- STANDARD CATALOG BALANCERS ARE EQUIPPED WITH SAFETY CHAIN BUT IF APPLICATION REQUIRES NO SAFETY CHAIN ADD "D" SUFFIX TO STANDARD BALANCER P/N: EXAMPLE 125KAD
- WHEN MOUNTING BALANCER, ALWAYS MAKE SURE THE SAFETY PIN THAT COMES WITH THE SHACKLE IS INSTALLED & SECURED.

SEE SHEET 3 & 4 EC NO: IPG2017-0163 DRWN: VOU 2016/08/24 CHKD: DNGUYEN 2016/08/26 APPR: JFMURPHY	DESCRIPTION REV	QUALITY SYMBOLS ▽=0 ◁=0	GENERAL TOLERANCES (UNLESS SPECIFIED)		DIMENSION STYLE INCH [MM]		SCALE NTS	DESIGN UNITS INCH	THIRD ANGLE PROJECTION		
			mm	INCH	DRAWN BY	DATE	KA BALANCER SERIES SPECIFICATIONS				
		4 PLACES	±---	±---	VOU	2016/08/24					
		3 PLACES	±---	±.005	CHECKED BY	DATE	MOLEX INCORPORATED				
2 PLACES	±0.13	±.010	DT	2009/02/26							
1 PLACE	±0.25	±.020	APPROVED BY	DATE	MATERIAL NO. SEE CHART		DOCUMENT NO. SD-130172-002	SHEET NO. 2 OF 7			
DRAFT WHERE APPLICABLE MUST REMAIN WITHIN DIMENSIONS			SIZE B		THIS DRAWING CONTAINS INFORMATION THAT IS PROPRIETARY TO MOLEX INCORPORATED AND SHOULD NOT BE USED WITHOUT WRITTEN PERMISSION						

BALANCER MODEL:		LOAD CAPACITY CHART:		ITEMS INDEX AS PER BOM TABLE USED BY EACH MODEL:											
		WIEGHT RANGE FOR EACH BALANCER MODEL:		ITEM #1:	ITEM #6:	ITEM #22:	ITEM #23:	ITEM #32:	ITEM 12 SHACKLE ASSY USED BY EACH MODEL:		ITEM 19 CABLE ASSEMBLY USED BY EACH MODEL:			ITEM 20 SAFETY CHAIN USED BY EACH MODEL:	
		MATERIAL NUMBER	MODEL NUMBER	IN LBS	IN KGS	MATERIAL NUMBER	MATERIAL NUMBER	MATERIAL NUMBER	MATERIAL NUMBER	MATERIAL NUMBER	MATERIAL NUMBER	REPAIR KIT NUMBER	MATERIAL NUMBER	REPAIR KIT NUMBER	CABLE LENGTH
1301720875	115KA	85 - 115	38 - 52	1301790587	1301790610	1301792397	1301792407	1301790492	1301790335	UHKKS	1301790280	CBALT7	7 FEET	1301790329	SSPLC
1301720785	125KA	115 - 125	52 - 57			1301792398	1301792408	1301790492							
1301720786	145KA	124 - 145	56 - 66			1301792399	1301792409	1301790493							
1301720787	165KA	143 - 165	65 - 75			1301792400	1301792410	1301790493							
1301720788	175KA	159 - 175	72 - 79			1301792401	1301792411	1302261318							
1301720098	200KA	175 - 200	79 - 91			1301792402	1301792412	1302261318							
1301720116	220KA	200 - 220	91 - 100			1301790712	1301790722	1302261318							
1301720124	240KA	220 - 243	100 - 110	1301790587	1301790610	1301790713	1301790723	1302261318			1301790280	CBALT7	7 FEET		
1301720313	9110KA	80 - 110	36 - 50	1301794778	1301790611	1301792403	1301792413	1301790492			1301790281	CBALT9	9 FEET		
1301720320	9120KA	115 - 126	52 - 57	1301794778	1301790611	1301792404	1301792414	1301790492			1301790281	CBALT9	9 FEET		
1301720325	9140KA	125 - 130	56 - 58	1301794778	1301790611	1301792405	1301792415	1301790493			1301790281	CBALT9	9 FEET		
1301720330	9150KA	TBD - 145	TBD - 66	1301794778	1301790611	1301792406	1301792416	1301790493			1301790281	CBALT9	9 FEET		
1301720822	125KAD	115 - 125	52 - 57	1301790587	1301790610	1301792398	1301792408	1301790492			1301790280	CBALT7	7 FEET		
1301720829	145KAD	124 - 145	61 - 65			1301792399	1301792409	1301790493							
1301710248	200KAD	175 - 200	79 - 91			1301792402	1301792412	1302261318							
1301710249	220KAD	200 - 220	91 - 100	1301790587	1301790610	1301790712	1301790722	1302261318	1301790335	UHKKS	1301790280	CBALT7	7 FEET	1301790329	SSPLC

IMPORTANT NOTE:
PLEASE NOTE THAT MODELS WITHOUT A SAFETY CHAIN OR "KAD" SERIES ARE NOT AVAILABLE FOR SALE IN NORTH AMERICA. THESE SERIES ARE AVAILABLE FOR SALE ONLY IN EU STATES.

SEE SHEET 3 & 4 EC NO: IPG2017-0163 DRWN: VOU 2016/08/24 CHKD: DNGUYEN 2016/08/26 APPR: JFMURPHY	QUALITY SYMBOLS	GENERAL TOLERANCES (UNLESS SPECIFIED)		DIMENSION STYLE INCH [MM]		SCALE NTS	DESIGN UNITS INCH	THIRD ANGLE PROJECTION
	▽=0	mm	INCH	DRAWN BY	DATE	TITLE		
	∇=0	4 PLACES ±---	±---	VOU	2016/08/24	KA BALANCER SERIES SPECIFICATIONS		
		3 PLACES ±---	±.005	CHECKED BY	DATE	-----		
		2 PLACES ±0.13	±.010	DT	2009/02/26	MOLEX INCORPORATED		
	1 PLACE ±0.25	±.020	APPROVED BY	DATE	MATERIAL NO.		DOCUMENT NO.	SHEET NO.
	ANGULAR ±.5°		---		SEE CHART		SD-130172-002	3 OF 7
	DRAFT WHERE APPLICABLE MUST REMAIN WITHIN DIMENSIONS			THIS DRAWING CONTAINS INFORMATION THAT IS PROPRIETARY TO MOLEX INCORPORATED AND SHOULD NOT BE USED WITHOUT WRITTEN PERMISSION				

BALANCER MODEL:		LOAD CAPACITY CHART:		ITEMS INDEX AS PER BOM TABLE USED BY EACH MODEL:											
				WIEGHT RANGE FOR EACH BALANCER MODEL:		ITEM #1:	ITEM #6:	ITEM #22:	ITEM #23:	ITEM #32:	ITEM 12 SHACKLE ASSY USED BY EACH MODEL:		ITEM 19 CABLE ASSEMBLY USED BY EACH MODEL:		
		MATERIAL NUMBER	MODEL NUMBER	IN LBS	IN KGS	MATERIAL NUMBER	MATERIAL NUMBER	MATERIAL NUMBER	MATERIAL NUMBER	MATERIAL NUMBER	MATERIAL NUMBER	REPAIR KIT NUMBER	MATERIAL NUMBER	REPAIR KIT NUMBER	CABLE LENGTH
1301720876	115KAB	84 - 115	38 - 52	1301790587	1301790610	1301792397	1301792407	1301790492	1301790335	UHKKS	1301790278	CBALB7	7 FEET	1301790329	SSPLC
1301720818	125KAB	115 - 125	52 - 57			1301792398	1301792408	1301790492							
1301720826	145KAB	124 - 145	56 - 66			1301792399	1301792409	1301790493							
1301720835	165KAB	143 - 165	65 - 75			1301792400	1301792410	1301790493							
1301720844	175KAB	159 - 175	72 - 79			1301792401	1301792411	1302261318							
1301720719	200KAB	175 - 200	79 - 91			1301792402	1301792412	1302261318							
1301720877	115KABC	84 - 115	38 - 52			1301792397	1301792407	1301790492			1301794890	CBALBC7	7 FEET		
1301720819	125KABC	115 - 125	52 - 57			1301792398	1301792408	1301790492							
1301720827	145KABC	124 - 145	56 - 66			1301792399	1301792409	1301790493							
1301720836	165KABC	143 - 165	65 - 75			1301792400	1301792410	1301790493							
1301720845	175KABC	159 - 175	72 - 79			1301792401	1301792411	1302261318							
1301720853	200KABC	175 - 200	79 - 91			1301792402	1301792412	1302261318							
1301720453	220KABC	200 - 220	91 - 100			1301790712	1301790722	1302261318							
1301720454	240KABC	220 - 243	100-110	1301790587	1301790610	1301790713	1301790723	1302261318	1301790335	UHKKS	1301794890	CBALBC7	7 FEET	1301790329	SSPLC

SEE SHEET 3 & 4 EC NO: IPG2017-0163 DRWN: VOU 2016/08/24 CHKD: DNGUYEN 2016/08/26 APPR: JFMURPHY	QUALITY SYMBOLS = 0 = 0	GENERAL TOLERANCES (UNLESS SPECIFIED)		DIMENSION STYLE INCH [MM]		SCALE NTS	DESIGN UNITS INCH	THIRD ANGLE PROJECTION		
						DRAWN BY DATE		TITLE KA BALANCER SERIES SPECIFICATIONS		
						VOU 2016/08/24				
						CHECKED BY DATE		MOLEX INCORPORATED		
				DT 2009/02/26						
				APPROVED BY DATE		DOCUMENT NO.		SHEET NO.		
				---		SD-130172-002		4 OF 7		
				ANGULAR ±.5°		MATERIAL NO.		THIS DRAWING CONTAINS INFORMATION THAT IS PROPRIETARY TO MOLEX INCORPORATED AND SHOULD NOT BE USED WITHOUT WRITTEN PERMISSION		
				DRAFT WHERE APPLICABLE MUST REMAIN WITHIN DIMENSIONS		SEE CHART				
						SIZE B				

**CABLE ASSY - 7 & 9FT
W/BULLARD HOOK &
ADJUSTABLE CLAMPS:**

MATERIAL NUMBER	REPAIR KIT NUMBER
1301794890	CBALBC7
1301794891	CBALBC9

**CABLE ASSY - 7 & 9FT
W/BULLARD HOOK
HARD SWAGED:**

MATERIAL NUMBER	REPAIR KIT NUMBER
1301790278	CBALB7
1301790279	CBALB9

**CABLE ASSY - 7 & 9FT
W/EYE HOOK & CLIP
HARD SWAGED:**

MATERIAL NUMBER	REPAIR KIT NUMBER
1301790280	CBALT7
1301790281	CBALT9

**CABLE ASSY - 7 & 9FT
W/EYE HOOK & CLIP
ADJUSTABLE CLAMPS:**

MATERIAL NUMBER	REPAIR KIT NUMBER
1301794892	CBALTC7
1301794893	CBALTC9

SEE SHEET 3 & 4 EC NO: IPG2017-0163 DRWN: VOU 2016/08/24 CHKD: DNGUYEN 2016/08/26 APPR: JFMURPHY	QUALITY SYMBOLS ▽=0 ▽C=0	GENERAL TOLERANCES (UNLESS SPECIFIED)		DIMENSION STYLE INCH [MM]		SCALE NTS	DESIGN UNITS INCH	THIRD ANGLE PROJECTION	
		4 PLACES ±--- ±---	DRAWN BY VOU	DATE 2016/08/24	TITLE KA BALANCER SERIES SPECIFICATIONS				
		3 PLACES ±--- ±.005	CHECKED BY DT	DATE 2009/02/26					
		2 PLACES ±0.13 ±.010	APPROVED BY ---		MATERIAL NO. SEE CHART		DOCUMENT NO. SD-130172-002	SHEET NO. 5 OF 7	
1 PLACE ±0.25 ±.020	ANGULAR ±.5°		DRAFT WHERE APPLICABLE MUST REMAIN WITHIN DIMENSIONS		THIS DRAWING CONTAINS INFORMATION THAT IS PROPRIETARY TO MOLEX INCORPORATED AND SHOULD NOT BE USED WITHOUT WRITTEN PERMISSION				

DROP STOP ACTUATOR REPAIR KITS:

MATERIAL NUMBER	REPAIR KIT NUMBER	MATERIAL NUMBER	REPAIR KIT NUMBER	MATERIAL NUMBER	REPAIR KIT NUMBER
1301790299	DSAKA	1301790300	DSAKB	1301790301	DSAKC
USED FOR REPAIRS ON FOLLOWING MODELS:		USED FOR REPAIRS ON FOLLOWING MODELS:		USED FOR REPAIRS ON FOLLOWING MODELS:	
MODEL NUMBERS		MODEL NUMBERS		MODEL NUMBERS	
115KA, & VARIATIONS		145KA, & VARIATIONS		175KA, & VARIATIONS	
125KA, & VARIATIONS		165KA, & VARIATIONS		200KA, & VARIATIONS	
				220KA, & VARIATIONS	
				240KA, & VARIATIONS	

DROP STOP LEVER REPAIR KIT:

MATERIAL NUMBER	REPAIR KIT NUMBER
1301790302	DSLK
USED FOR REPAIRS ON FOLLOWING MODELS:	
MODEL NUMBER	
<p>ALL KA MODELS WILL BE USING THIS REPAIR KIT TO REPLACE THE DROP STOP ASSY</p> <p>FOR ALL P/N PLEASE SEE MATERIALS TABLE ON SHEETS 3 AND 4.</p>	

DRUM LOCK REPAIR KIT:

MATERIAL NUMBER	REPAIR KIT NUMBER
1301790288	DLKK
USED FOR REPAIRS ON FOLLOWING MODELS:	
MODEL NUMBER	
<p>ALL KA MODELS WILL BE USING THIS REPAIR KIT TO REPLACE THE DRUM LOCK ASSY</p> <p>FOR ALL P/N PLEASE SEE MATERIALS TABLE ON SHEETS 3 AND 4.</p>	

STAR WHEEL FOR 7FT TRAVEL - REPAIR KIT:

MATERIAL NUMBER	REPAIR KIT NUMBER
1301790330	STAL7
USED FOR REPAIRS ON FOLLOWING MODELS:	
MODEL NUMBER	
<p>ALL KA MODELS WITH A 7 FT TRAVEL WILL BE USING THIS REPAIR KIT TO REPLACE THE STAR WHEEL ASSY</p> <p>FOR ALL P/N PLEASE SEE MATERIALS TABLE ON SHEETS 3 AND 4.</p>	

STAR WHEEL FOR 9FT TRAVEL - REPAIR KIT:

MATERIAL NUMBER	REPAIR KIT NUMBER
1301790331	STAL9
USED FOR REPAIRS ON FOLLOWING MODELS:	
MODEL NUMBER	
<p>ALL KA MODELS WITH A 9 FT TRAVEL WILL BE USING THIS REPAIR KIT TO REPLACE THE STAR WHEEL ASSY</p> <p>FOR ALL P/N PLEASE SEE MATERIALS TABLE ON SHEETS 3 AND 4.</p>	

FOR MORE DETAILS ON EVERY REPAIR KIT PLEASE SEE THEIR ASSIGNED DRAWINGS.

FOR INDIVIDUAL REPAIR PART NUMBERS PLEASE CONTACT YOUR LOCAL SALES REP.

SEE SHEET 3 & 4 EC NO: IPG2017-0163 DRWN: VOU 2016/08/24 CHKD: DNGUYEN 2016/08/26 APPR: JFMURPHY	QUALITY SYMBOLS = 0 = 0	GENERAL TOLERANCES (UNLESS SPECIFIED)		DIMENSION STYLE INCH [MM]		SCALE NTS	DESIGN UNITS INCH	THIRD ANGLE PROJECTION		
		4 PLACES	±---	±---	DRAWN BY	DATE	TITLE			
		3 PLACES	±---	±.005	VOU	2016/08/24	KA BALANCER SERIES SPECIFICATIONS			
		2 PLACES	±0.13	±.010	CHECKED BY	DATE	-----			
1 PLACE	±0.25	±.020	DT	2009/02/26	MOLEX INCORPORATED					
ANGULAR ±.5°		DRAFT WHERE APPLICABLE MUST REMAIN WITHIN DIMENSIONS		APPROVED BY		DATE	MATERIAL NO.		DOCUMENT NO.	SHEET NO.
				---		---	SEE CHART		SD-130172-002	6 OF 7
				SIZE		THIS DRAWING CONTAINS INFORMATION THAT IS PROPRIETARY TO MOLEX INCORPORATED AND SHOULD NOT BE USED WITHOUT WRITTEN PERMISSION				
				B						

F

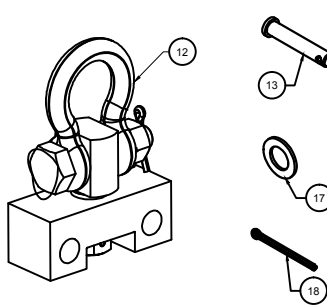
E

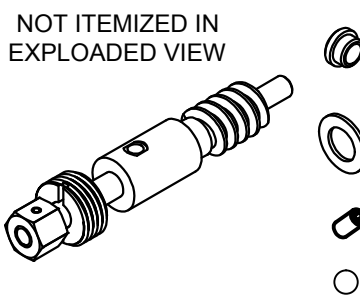
D

C

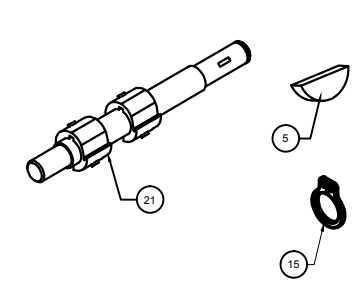
B

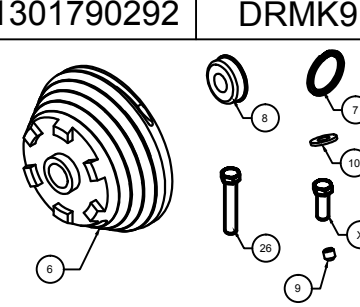
A

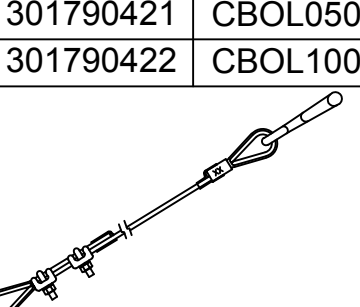
UPPER SHACKLE ASSY FOR KA - REPAIR KIT:	
MATERIAL NUMBER	REPAIR KIT NUMBER
1301790335	UHKKS
	
USED FOR REPAIRS ON FOLLOWING MODELS:	
MODEL NUMBER	
<p>ALL KA MODELS WILL BE USING THIS REPAIR KIT TO REPLACE THE UPPER SHACKLE ASSY</p> <p>FOR ALL P/N PLEASE SEE MATERIALS TABLE ON SHEETS 3 AND 4.</p>	

WORK GEAR SHAFT ASSY FOR KA - REPAIR KIT:	
MATERIAL NUMBER	REPAIR KIT NUMBER
1301790340	WRMK
<p>NOT ITEMIZED IN EXPLODED VIEW</p> 	
USED FOR REPAIRS ON FOLLOWING MODELS:	
MODEL NUMBER	
<p>ALL KA MODELS WILL BE USING THIS REPAIR KIT TO REPLACE THE WORM SHAFT ASSY</p> <p>FOR ALL P/N PLEASE SEE MATERIALS TABLE ON SHEETS 3 AND 4.</p>	

CABLE GUIDE ASSEMBLY FOR KA - REPAIR KIT:	
MATERIAL NUMBER	REPAIR KIT NUMBER
1301790283	CBGK
	
USED FOR REPAIRS ON FOLLOWING MODELS:	
MODEL NUMBER	
<p>ALL KA MODELS WILL BE USING THIS REPAIR KIT TO REPLACE THE CABLE GUIDE ASSY</p> <p>FOR ALL P/N PLEASE SEE MATERIALS TABLE ON SHEETS 3 AND 4.</p>	

MAIN SHAFT ASSEMBLY FOR KA - REPAIR KIT:	
MATERIAL NUMBER	REPAIR KIT NUMBER
1301790325	SHFK
	
USED FOR REPAIRS ON FOLLOWING MODELS:	
MODEL NUMBER	
<p>ALL KA MODELS WILL BE USING THIS REPAIR KIT TO REPLACE THE MAIN SHAFT ASSY</p> <p>FOR ALL P/N PLEASE SEE MATERIALS TABLE ON SHEETS 3 AND 4.</p>	

KA DRUM FOR 7FT & 9FT TRAVEL - REPAIR KIT:	
MATERIAL NUMBER	REPAIR KIT NUMBER
1301790291	DRMK7
1301790292	DRMK9
	
USED FOR REPAIRS ON FOLLOWING MODELS:	
MODEL NUMBER	
<p>ALL KA MODELS W/ 7FT TRAVEL WILL USE THE DRMK7.</p> <p>ALL KA MODELS W/ 9FT TRAVEL WILL USE THE DRMK9.</p> <p>FOR ALL P/N PLEASE SEE MATERIALS TABLE ON SHEETS 3 AND 4.</p>	

OVERHANG CABLE EXTENSIONS FOR KA:	
MATERIAL NUMBER	REPAIR KIT NUMBER
1301790420	CBOL020
1301790421	CBOL050
1301790422	CBOL100
	
USED FOR REPAIRS ON FOLLOWING MODELS:	
MODEL NUMBER	
<p>ALL KA MODELS CAN USE THESE OVERHANG CABLES TO EXTEND THE TOOL OR LOAD REACH. THE OVERHANG CABLES WILL NOT INCREASE LOAD TRAVEL. FOR ALL P/N PLEASE SEE MATERIALS TABLE ON SHEETS 3 AND 4.</p>	

FOR MORE DETAILS ON EVERY REPAIR KIT PLEASE SEE THEIR ASSIGNED DRAWINGS.

FOR INDIVIDUAL REPAIR PART NUMBERS PLEASE CONTACT YOUR LOCAL SALES REP.

SEE SHEET 3 & 4 EC NO: IPG2017-0163 DRWN: VOU 2016/08/24 CHKD: DNGUYEN 2016/08/26 APPR: JFMURPHY	DESCRIPTION REV	QUALITY SYMBOLS ▽=0 ∇=0	GENERAL TOLERANCES (UNLESS SPECIFIED)		DIMENSION STYLE INCH [MM]		SCALE NTS	DESIGN UNITS INCH	THIRD ANGLE PROJECTION		
		4 PLACES ±--- ±--- 3 PLACES ±--- ±.005 2 PLACES ±0.13 ±.010 1 PLACE ±0.25 ±.020		DRAWN BY DATE VOU 2016/08/24		CHECKED BY DATE DT 2009/02/26		TITLE KA BALANCER SERIES SPECIFICATIONS			
		ANGULAR ±.5°		APPROVED BY DATE --- ---		MOLEX INCORPORATED			DOCUMENT NO. SD-130172-002		SHEET NO. 7 OF 7
		DRAFT WHERE APPLICABLE MUST REMAIN WITHIN DIMENSIONS		MATERIAL NO. SEE CHART		THIS DRAWING CONTAINS INFORMATION THAT IS PROPRIETARY TO MOLEX INCORPORATED AND SHOULD NOT BE USED WITHOUT WRITTEN PERMISSION					



Компания «ЭлектроПласт» предлагает заключение долгосрочных отношений при поставках импортных электронных компонентов на взаимовыгодных условиях!

Наши преимущества:

- Оперативные поставки широкого спектра электронных компонентов отечественного и импортного производства напрямую от производителей и с крупнейших мировых складов;
- Поставка более 17-ти миллионов наименований электронных компонентов;
- Поставка сложных, дефицитных, либо снятых с производства позиций;
- Оперативные сроки поставки под заказ (от 5 рабочих дней);
- Экспресс доставка в любую точку России;
- Техническая поддержка проекта, помощь в подборе аналогов, поставка прототипов;
- Система менеджмента качества сертифицирована по Международному стандарту ISO 9001;
- Лицензия ФСБ на осуществление работ с использованием сведений, составляющих государственную тайну;
- Поставка специализированных компонентов (Xilinx, Altera, Analog Devices, Intersil, Interpoint, Microsemi, Aeroflex, Peregrine, Syfer, Eurofarad, Texas Instrument, Miteq, Cobham, E2V, MA-COM, Hittite, Mini-Circuits, General Dynamics и др.);

Помимо этого, одним из направлений компании «ЭлектроПласт» является направление «Источники питания». Мы предлагаем Вам помощь Конструкторского отдела:

- Подбор оптимального решения, техническое обоснование при выборе компонента;
- Подбор аналогов;
- Консультации по применению компонента;
- Поставка образцов и прототипов;
- Техническая поддержка проекта;
- Защита от снятия компонента с производства.



Как с нами связаться

Телефон: 8 (812) 309 58 32 (многоканальный)

Факс: 8 (812) 320-02-42

Электронная почта: org@eplast1.ru

Адрес: 198099, г. Санкт-Петербург, ул. Калинина, дом 2, корпус 4, литера А.