

THIS DRAWING IS UNPUBLISHED.

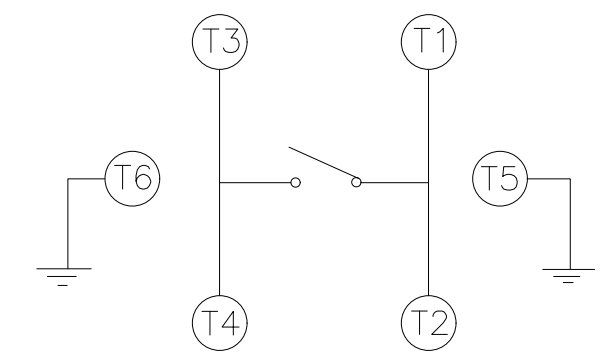
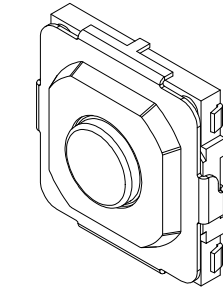
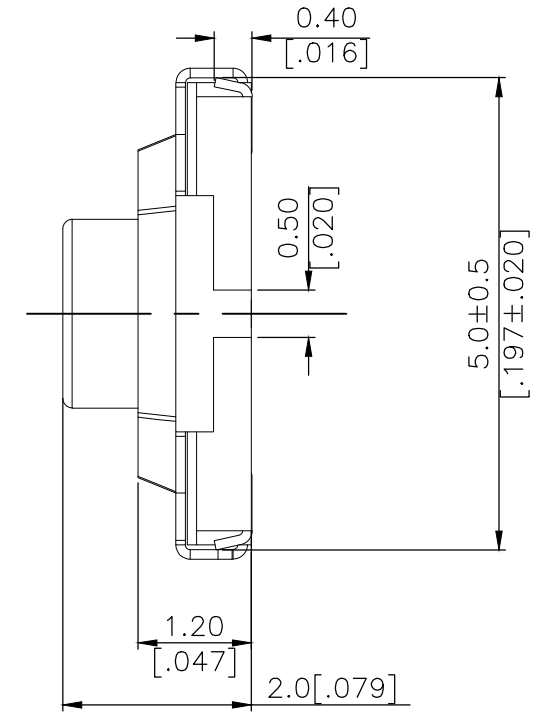
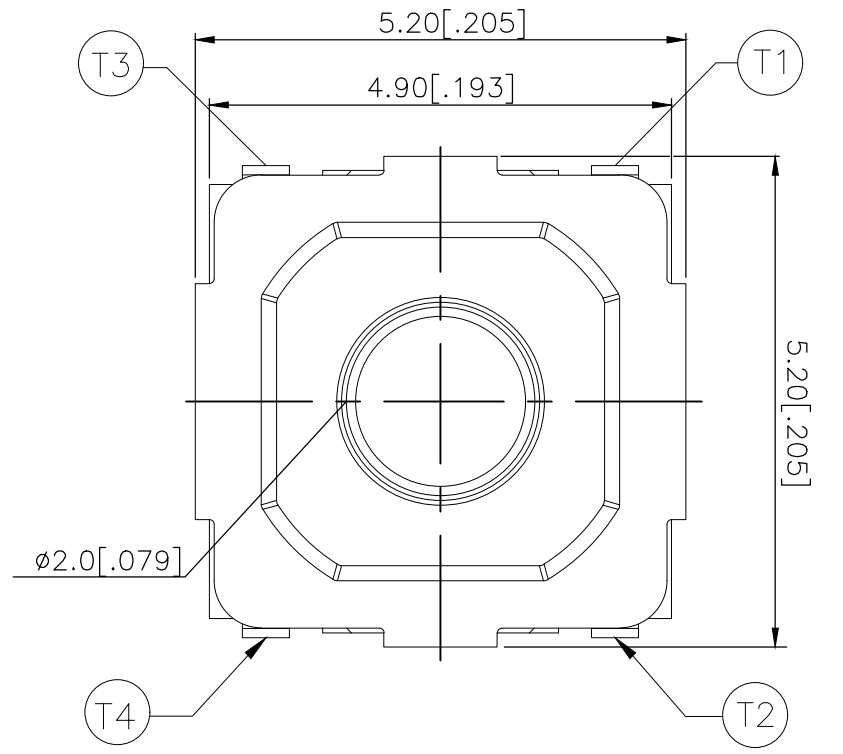
RELEASED FOR PUBLICATION

REVISIONS

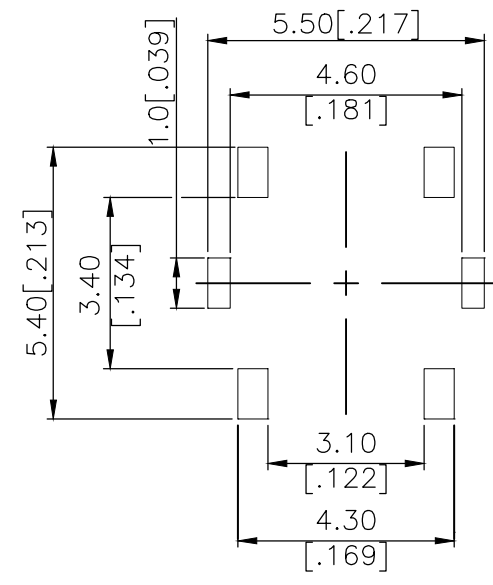
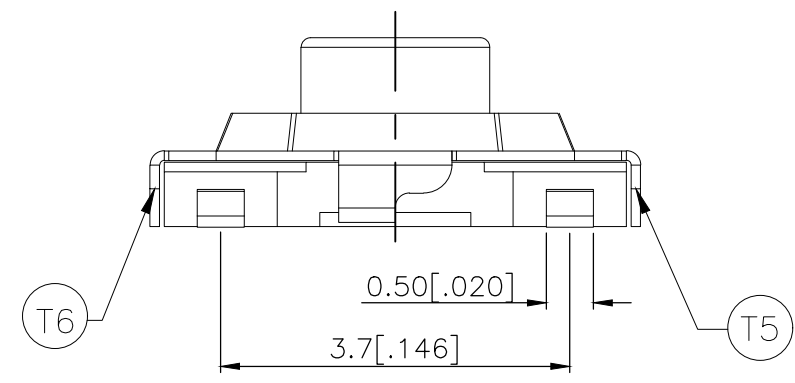
© COPYRIGHT - TE Connectivity Ltd.

ALL RIGHTS RESERVED.

P	LTR	DESCRIPTION	DATE	DWN	APVD
	B	REVISED PER ECR-19-004770	10APR2019	SR	DD



CIRCUIT DIAGRAM



P.C.B LAYOUT

WHITE	260±50	MSLPT5252CL4WTR	2337245-4
BLACK	160±50	MSLPT5252CL3BTR	2337245-3
WHITE	100±50	MSLPT5252CL2WTR	2337245-2
BLACK	70±50	MSLPT5252CL1BTR	2337245-1
ACTUATOR COLOR	ACTUATION FORCE (gf)	SMART PART NUMBER	PART NUMBER

THIS DRAWING IS A CONTROLLED DOCUMENT.

DIMENSIONS:	TOLERANCES UNLESS OTHERWISE SPECIFIED:
mm [INCHES]	
	0 PLC ± -
	1 PLC ± -
	2 PLC ± 0.2 [.008]
	3 PLC ± -
	4 PLC ± -
ANGLES ± -	
MATERIAL	FINISH
-	-

DWN	04JUL2018	GANESH C M
CHK	04JUL2018	ALEXANDER SHARPE
APVD	04JUL2018	ALEXANDER SHARPE
PRODUCT SPEC	-	-
APPLICATION SPEC	-	-
WEIGHT	-	-

STE TE Connectivity Ltd.

NAME: SWITCH, TACTILE, LOW-PROFILE, MINI, 5.2 x 5.2 x 2.0, J BEND

SIZE	CAGE CODE	DRAWING NO	RESTRICTED TO
A3	00779	C-2337245	-

CUSTOMER DRAWING SCALE NTS SHEET 1 of 3 REV B

THIS DRAWING IS UNPUBLISHED.

RELEASED FOR PUBLICATION

REVISIONS

© COPYRIGHT - TE Connectivity Ltd.

ALL RIGHTS RESERVED.

P	LTR	DESCRIPTION	DATE	DWN	APVD
-	-	SEE SHEET 1	-	-	-

NOTES:

1. MATERIALS:

TERMINAL: COPPER ALLOY, SILVER OVER NICKEL FINISH
 BASE: THERMOPLASTIC, BLACK
 ACTUATOR: THERMOPLASTIC, SEE TABLE, SHEET 1 OF 3, FOR COLOR
 TAPE: POLYTERAFLUOROETHYLENE
 CONTACT: STAINLESS STEEL, SILVER OVER NICKEL FINISH
 COVER: NICKEL SILVER

2. COMPLIANCE:

ALL MATERIALS AND FINISHES SHALL COMPLY WITH EU DIRECTIVE 2002/95/EC OF 27JAN2003(RoHS)

3. SPECIFICATIONS:

RATING: 50 mA, 12V DC
 CONTACT RESISTANCE: 100mΩ MAXIMUM (INITIAL)
 INSULATION RESISTANCE: 100MΩ MINIMUM (INITIAL)
 DIELECTRIC STRENGTH: 250V AC, 1 MINUTE
 OPERATING LIFE: 2337245-1 (70 gf) = 1,000,000 CYCLES WITH LOAD
 2337245-2 (100 gf) = 1,000,000 CYCLES WITH LOAD
 2337245-3 (160 gf) = 1,000,000 CYCLES WITH LOAD
 2337245-4 (260 gf) = 200,000 CYCLES WITH LOAD

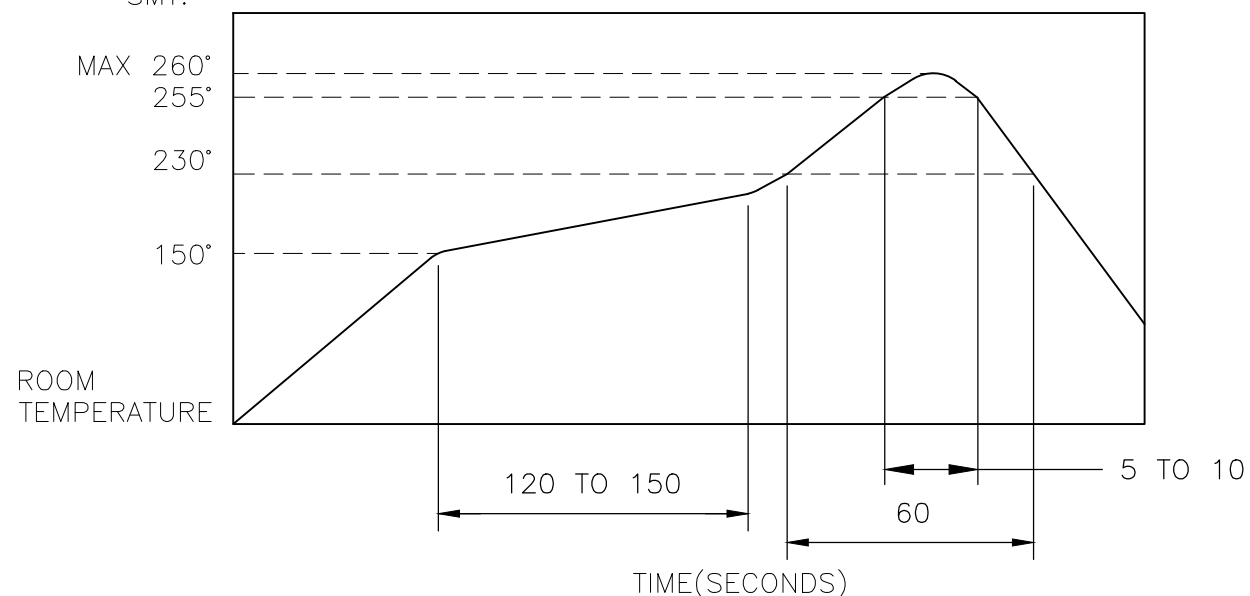
TRAVEL: 0.25±0.1 [0.010±0.004]

ACTUATION FORCE: 2337245-1 = 70±50gf
 2337245-2 = 100±50gf
 2337245-3 = 160±50gf
 2337245-4 = 260±50gf

OPERATING TEMPERATURE: -25° TO 70°C
 STORAGE TEMPERATURE: -30° TO 80°C

4. SOLDER CONDITIONS :

SMT:



THE CONDITON NOTED ABOVE IS THE TEMPERATURE OF THE COPPER FOIL ON THE SURFACE OF THE PCB. THERE ARE CASES WHERE THE TEMPERATURE OF THE BOARD GREATLY DIFFERS FROM THE SURFACE OF THE SWITCH. DO NOT ALLOW THE SURFACE TEMPERATURE OF THE SWITCH TO EXCEED 260°C.

MANUAL SOLDERING:

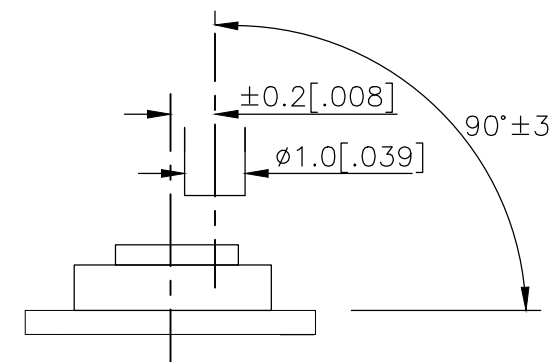
SOLDERING TEMPERATURE	350°C MAXIMUM
CONTINUOUS SOLDERING TIME	5 SECONDS MAXIMUM

HANDLING PRECAUTIONS:

- CARE SHOULD BE EXERCISED SO THAT FLUX FROM THE TOP SURFACE OF THE PRINTED CIRCUIT BOARD DOES NOT ADHERE TO THE SWITCH.
- DO NOT WASH THE SWITCH

5. OPERATING PRECAUTIONS:

- DO NOT ACTUATE THE SWITCH WITH EXCESSIVE FORCE
- DISCONTINUE FORCE AFTER THE SWITCH HAS BEEN ACTUATED SO AS TO AVOID DEFORMATION OF THE COMPONENTS OF THE SWITCH. DEFORMATION OF THE COMPONENTS MAY CAUSE THE SWITCH TO MALFUNCTION.
- ALIGN THE PLUNGER WITH THE SWITCH TO INSURE PROPER OPERATION

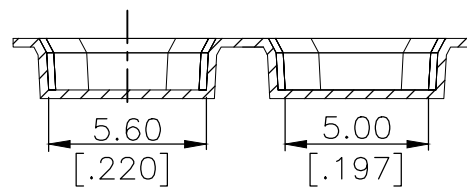
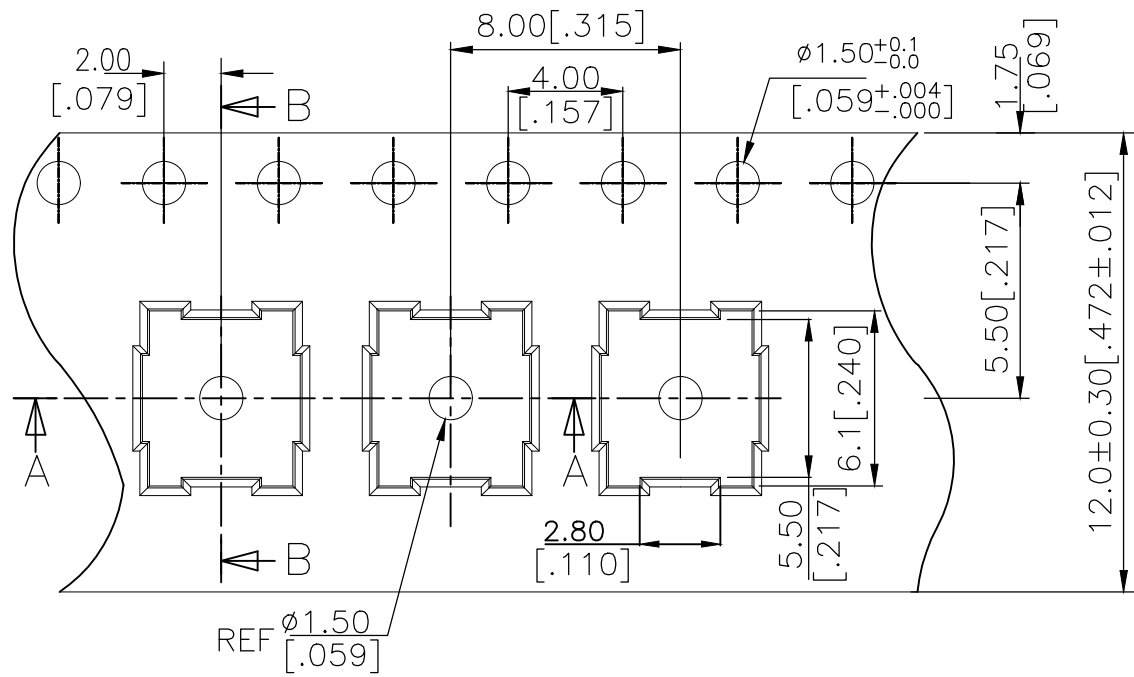


THIS DRAWING IS A CONTROLLED DOCUMENT.		DWN GANESH C M 04JUL2018	TE Connectivity Ltd.		
DIMENSIONS: mm [INCHES]		CHK ALEXANDER SHARPE 04JUL2018			
		APVD ALEXANDER SHARPE 04JUL2018	PRODUCT SPEC		
TOLERANCES UNLESS OTHERWISE SPECIFIED:		APPLICATION SPEC			
0 PLC ± - 1 PLC ± - 2 PLC ± 0.2 [0.008] 3 PLC ± - 4 PLC ± - ANGLES ± -		SIZE A3		CAGE CODE 00779	DRAWING NO C-2337245
MATERIAL		WEIGHT		RESTRICTED TO	
-		-		-	
CUSTOMER DRAWING			SCALE NTS	SHEET 2 OF 3	REV B

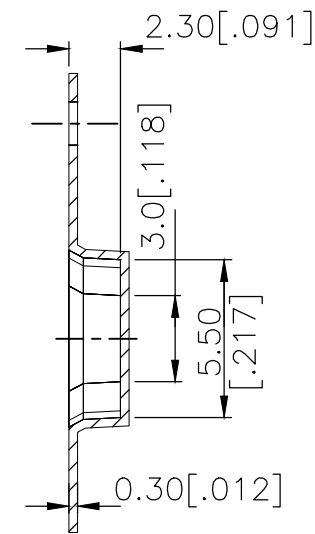
THIS DRAWING IS UNPUBLISHED. RELEASED FOR PUBLICATION
 © COPYRIGHT - TE Connectivity Ltd. ALL RIGHTS RESERVED.

REVISIONS					
P	LTR	DESCRIPTION	DATE	DWN	APVD
-	-	SEE SHEET 1	-	-	-

THE DIMENSIONS OF CARRIER TAPE AND REEL:

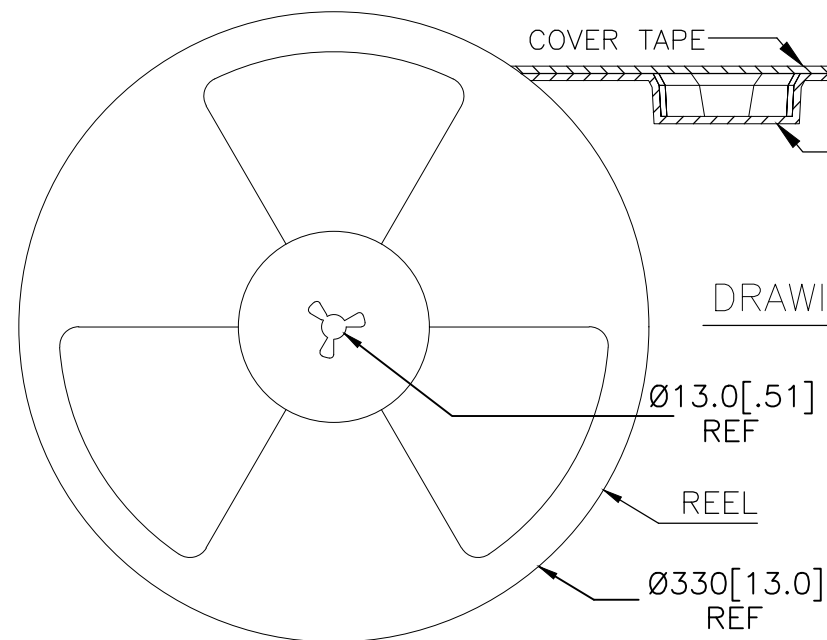
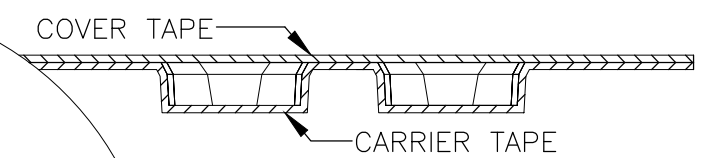
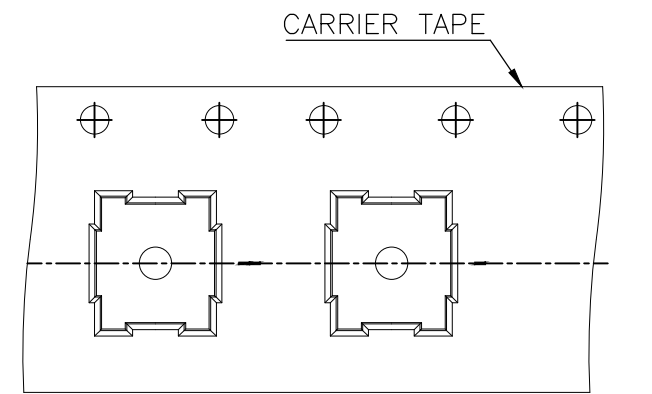


Section A-A



Section B-B

ORIENTATION OF PILOT HOLES



6. PACKAGING:

1. THE TAPE AND REEL ARE SHOWN FOR CUSTOMER APPLICATION REFERENCE. PACKAGING NOTES 3 AND 4 ARE REQUIRED BUT NOT ILLUSTRATED.
2. 3,000 SWITCHES PER REEL.
3. THE REEL, DESICCANT POUCH AND HUMIDITY CARD ARE SEALED IN A MOISTURE BARRIER BAG PER THE CURRENT REVISION OF IPC/JEDEC J-STD-033, MSL 2A REQUIREMENTS.
4. THE MOISTURE BARRIER BAG IS LABELED PER THE CURRENT REVISION OF IPC/JEDEC J-STD-033, MSL 2A REQUIREMENTS.

12.0 [.472] REF

THIS DRAWING IS A CONTROLLED DOCUMENT.		DWN GANESH C M 04JUL2018	TE Connectivity Ltd.															
DIMENSIONS: mm [INCHES]		CHK ALEXANDER SHARPE 04JUL2018				NAME												
TOLERANCES UNLESS OTHERWISE SPECIFIED:		APVD ALEXANDER SHARPE 04JUL2018	SWITCH, TACTILE, LOW-PROFILE, MINI, 5.2 x 5.2 x 2.0, J BEND															
<table border="0"> <tr><td>0 PLC</td><td>± -</td></tr> <tr><td>1 PLC</td><td>± -</td></tr> <tr><td>2 PLC</td><td>± 0.2 [.008]</td></tr> <tr><td>3 PLC</td><td>± -</td></tr> <tr><td>4 PLC</td><td>± -</td></tr> <tr><td>ANGLES</td><td>± -</td></tr> </table>		0 PLC	± -	1 PLC	± -	2 PLC	± 0.2 [.008]	3 PLC	± -	4 PLC	± -	ANGLES	± -	PRODUCT SPEC	SIZE	CAGE CODE	DRAWING NO	RESTRICTED TO
0 PLC	± -																	
1 PLC	± -																	
2 PLC	± 0.2 [.008]																	
3 PLC	± -																	
4 PLC	± -																	
ANGLES	± -																	
MATERIAL		APPLICATION SPEC	A3	00779	C-2337245	-												
FINISH		WEIGHT	CUSTOMER DRAWING		SCALE NTS	SHEET 3 OF 3	REV B											



Компания «ЭлектроПласт» предлагает заключение долгосрочных отношений при поставках импортных электронных компонентов на взаимовыгодных условиях!

Наши преимущества:

- Оперативные поставки широкого спектра электронных компонентов отечественного и импортного производства напрямую от производителей и с крупнейших мировых складов;
- Поставка более 17-ти миллионов наименований электронных компонентов;
- Поставка сложных, дефицитных, либо снятых с производства позиций;
- Оперативные сроки поставки под заказ (от 5 рабочих дней);
- Экспресс доставка в любую точку России;
- Техническая поддержка проекта, помощь в подборе аналогов, поставка прототипов;
- Система менеджмента качества сертифицирована по Международному стандарту ISO 9001;
- Лицензия ФСБ на осуществление работ с использованием сведений, составляющих государственную тайну;
- Поставка специализированных компонентов (Xilinx, Altera, Analog Devices, Intersil, Interpoint, Microsemi, Aeroflex, Peregrine, Syfer, Eurofarad, Texas Instrument, Miteq, Cobham, E2V, MA-COM, Hittite, Mini-Circuits, General Dynamics и др.);

Помимо этого, одним из направлений компании «ЭлектроПласт» является направление «Источники питания». Мы предлагаем Вам помощь Конструкторского отдела:

- Подбор оптимального решения, техническое обоснование при выборе компонента;
- Подбор аналогов;
- Консультации по применению компонента;
- Поставка образцов и прототипов;
- Техническая поддержка проекта;
- Защита от снятия компонента с производства.



Как с нами связаться

Телефон: 8 (812) 309 58 32 (многоканальный)

Факс: 8 (812) 320-02-42

Электронная почта: org@eplast1.ru

Адрес: 198099, г. Санкт-Петербург, ул. Калинина, дом 2, корпус 4, литера А.