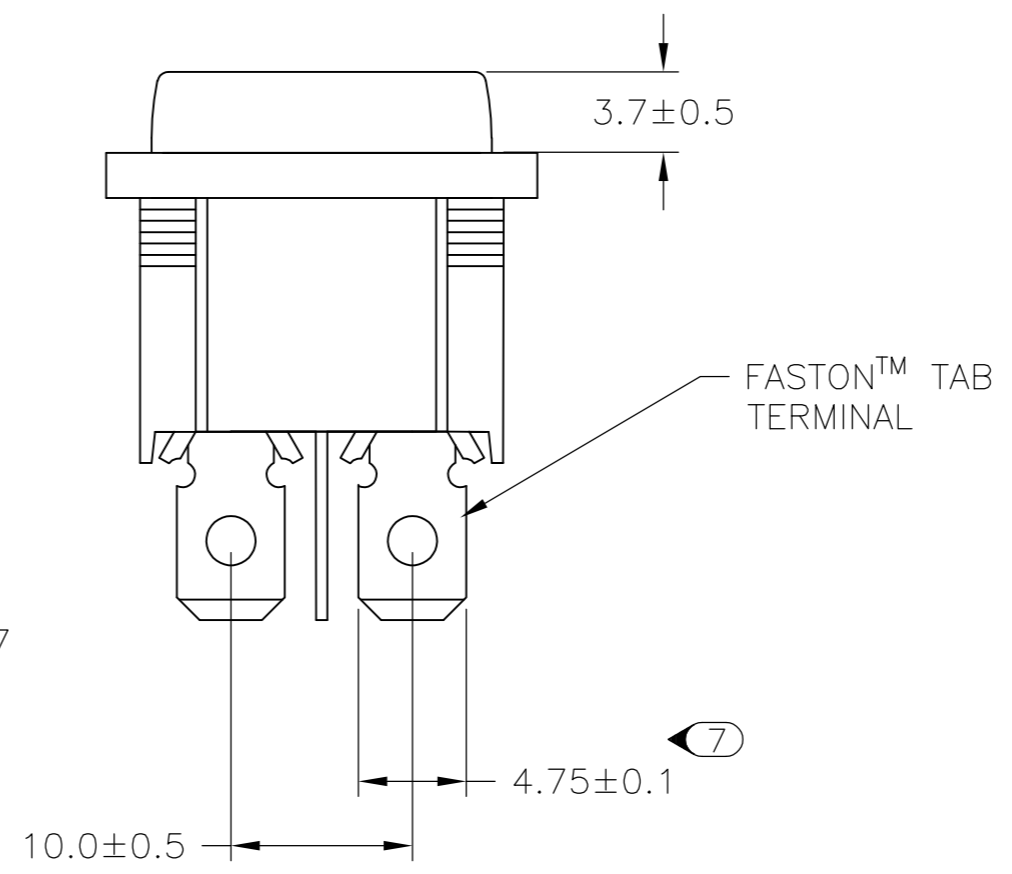
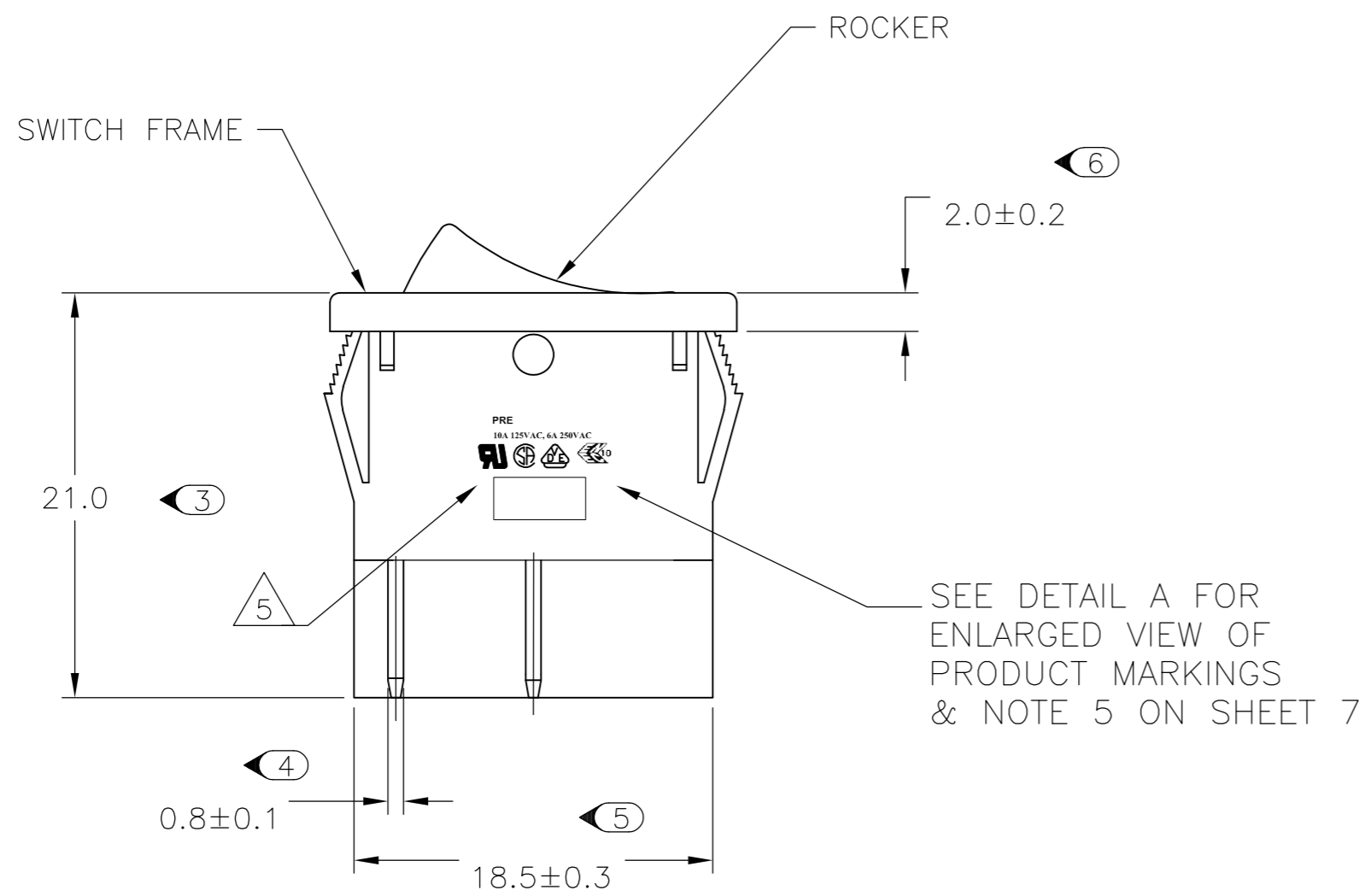
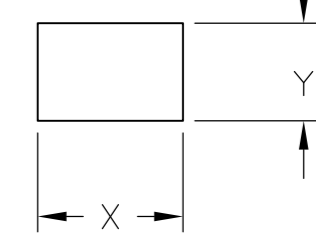


THIS DRAWING IS UNPUBLISHED. RELEASED FOR PUBLICATION
 © COPYRIGHT BY TYCO ELECTRONICS CORPORATION. ALL INTERNATIONAL RIGHTS RESERVED.

LOC	DIST	REVISIONS			
P	LTR	DESCRIPTION	DATE	DWN	APVD
IF	-	REVISED PER ECO-10-025607	21DEC10	HMR	MW

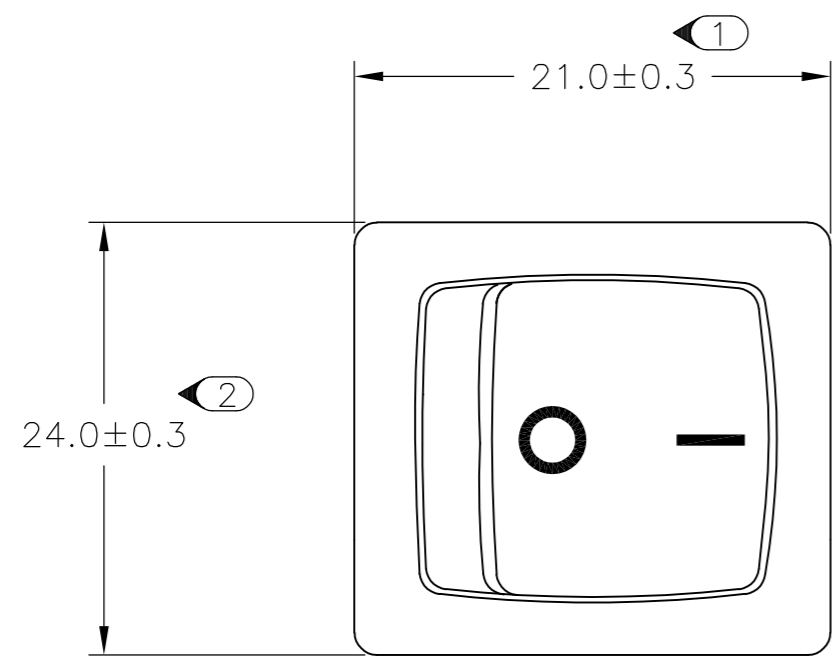
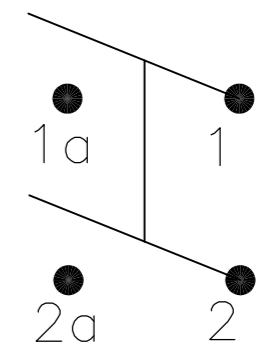


PANEL CUT OUT



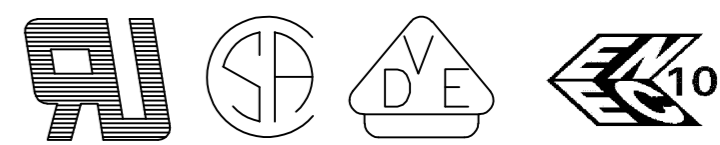
2.00-3.00	20.20	22.20
1.25-2.00	19.60	22.20
0.75-1.25	19.40	22.20
PANEL THICKNESS	X	Y

CIRCUIT DIAGRAM



PRODUCT MARKING
DETAIL A

PRE
10A 125VAC, 6A 250VAC



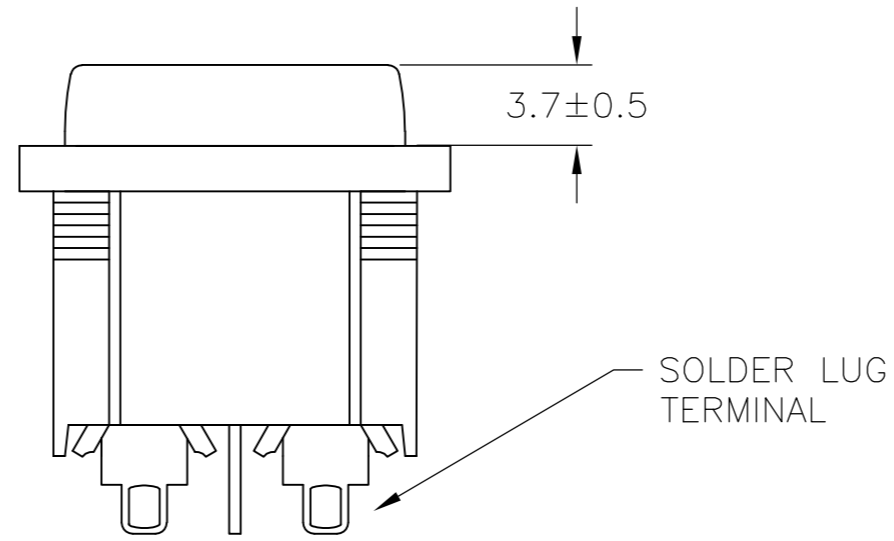
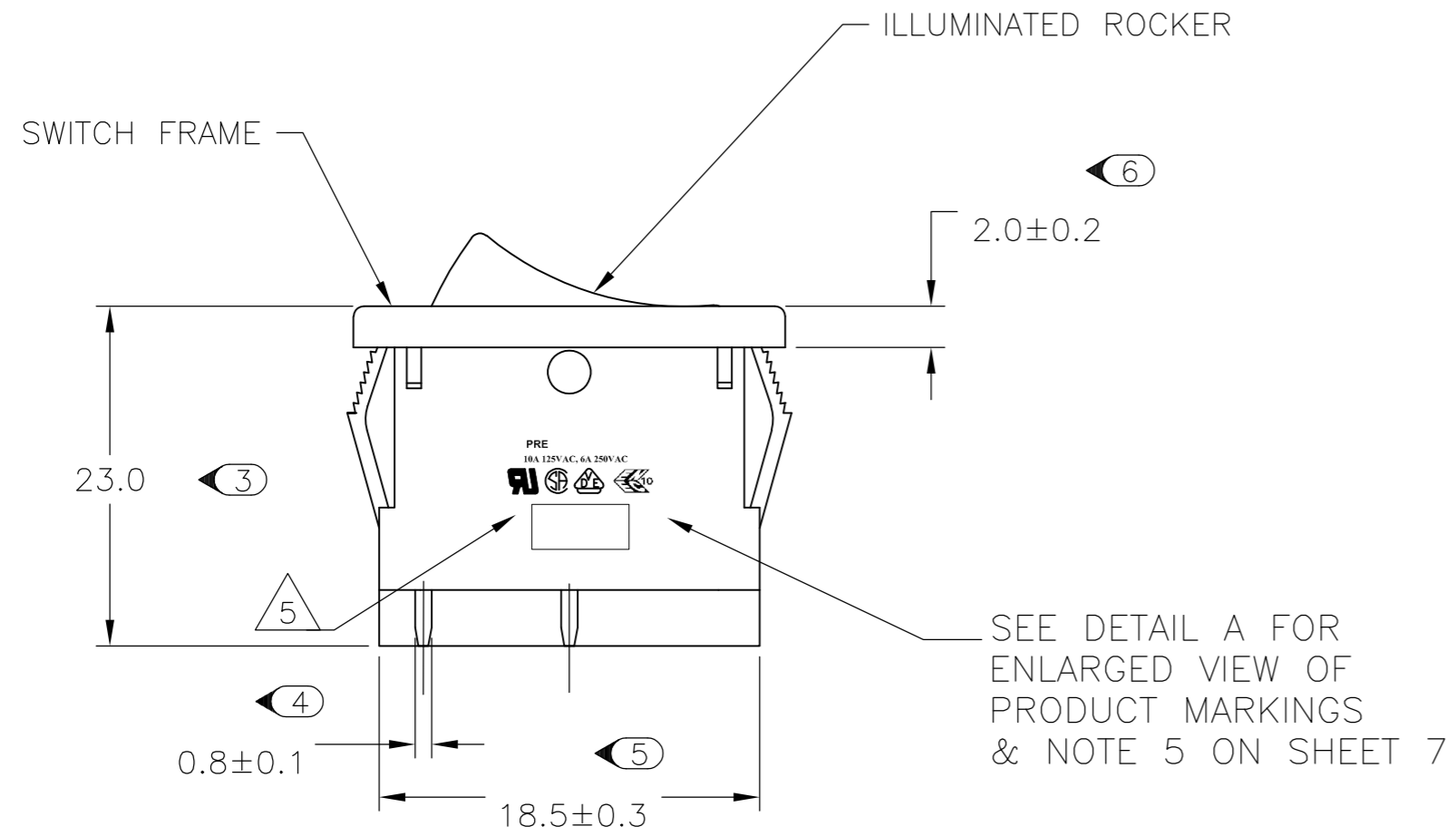
TYCO ELECTRONICS LOGO
PER TEC-202-36

6 1634200-2 SHOWN ON-OFF

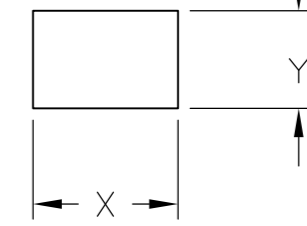
THIS DRAWING IS A CONTROLLED DOCUMENT.		DWN SA008712 2-4-07	Tyco Electronics Corporation Harrisburg, PA 17105-3608	
DIMENSIONS: mm		CHK -	NAME Power Rocker Switch	
TOLERANCES UNLESS OTHERWISE SPECIFIED:		APVD -	19,4mm x 22,2mm Panel Cut Out Size	
0 PLC ± -		PRODUCT SPEC -	Double Pole, Single Throw, NON-Illuminated	
1 PLC ± -		APPLICATION SPEC -	SIZE A2	RESTRICTED TO -
2 PLC ± -		WEIGHT -	CAGE CODE 00779	DRAWING NO C=1634200
3 PLC ± -		MATERIAL -	SCALE 3:1	SHEET 1 of 7
4 PLC ± -		FINISH -	REV E	
ANGLES ± -				
CUSTOMER DRAWING				

THIS DRAWING IS UNPUBLISHED. RELEASED FOR PUBLICATION
 © COPYRIGHT BY TYCO ELECTRONICS CORPORATION. ALL INTERNATIONAL RIGHTS RESERVED.

LOC	DIST	REVISIONS			
P	LTR	DESCRIPTION	DATE	DWN	APVD
-	-	SEE SHEET 1	-	-	-

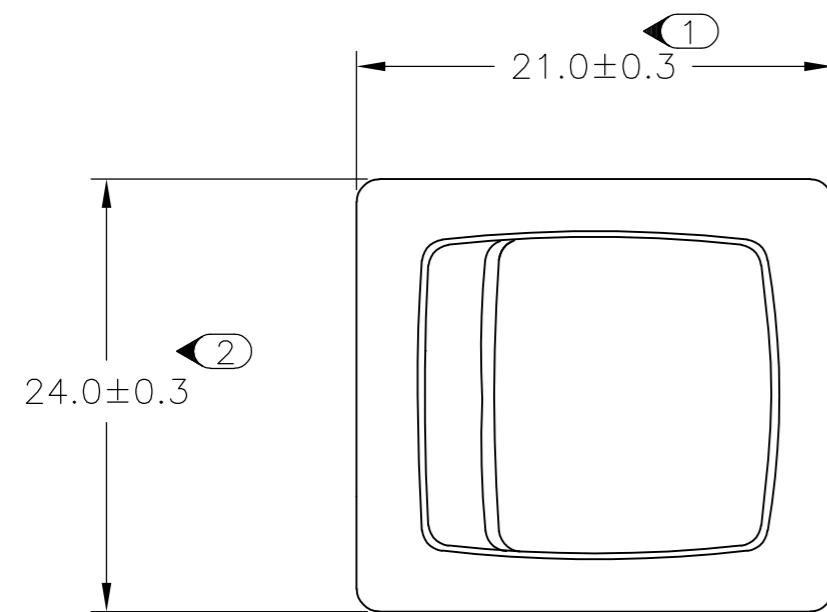


PANEL CUT OUT

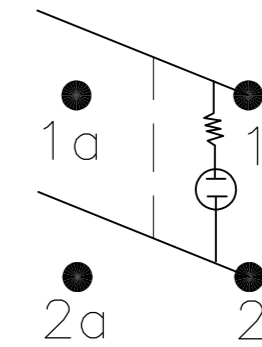


2.00-3.00	20.20	22.20
1.25-2.00	19.60	22.20
0.75-1.25	19.40	22.20
PANEL THICKNESS	X	Y

SEE DETAIL A FOR ENLARGED VIEW OF PRODUCT MARKINGS & NOTE 5 ON SHEET 7

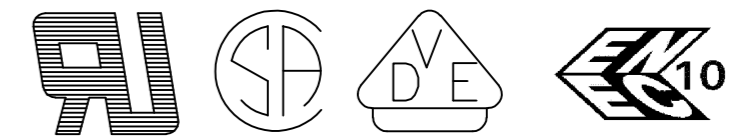


CIRCUIT DIAGRAM



**PRODUCT MARKING
DETAIL A**

**PRE
10A 125VAC, 6A 250VAC**



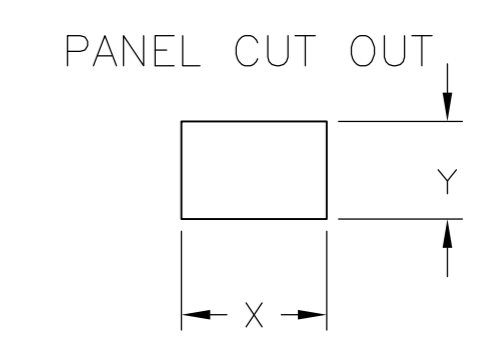
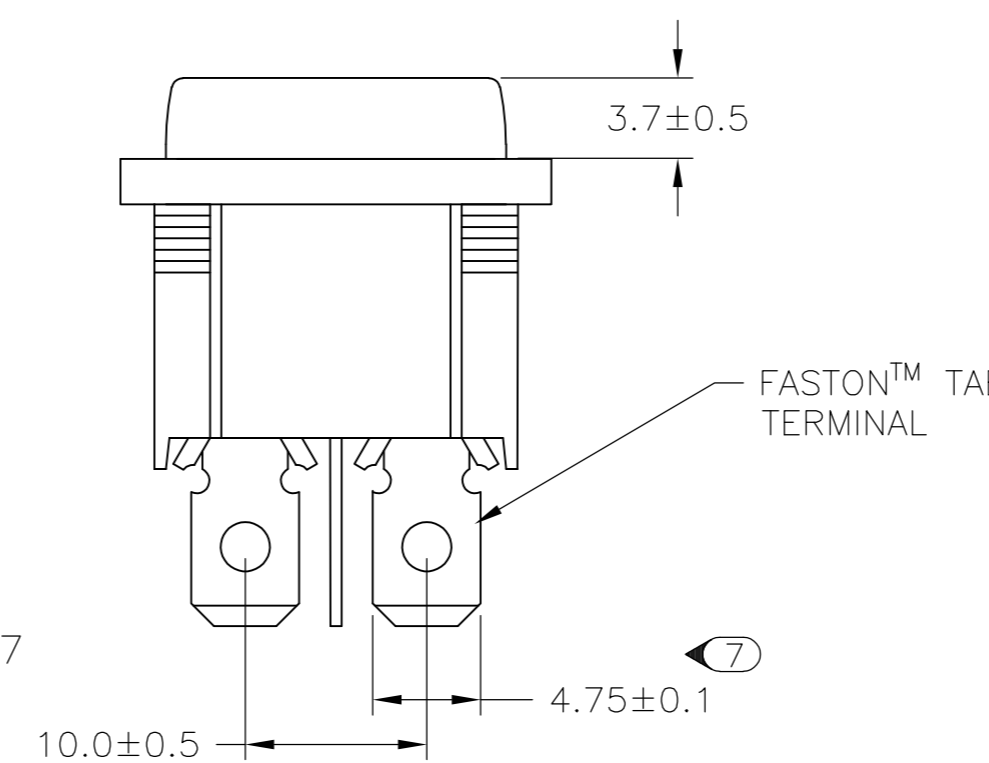
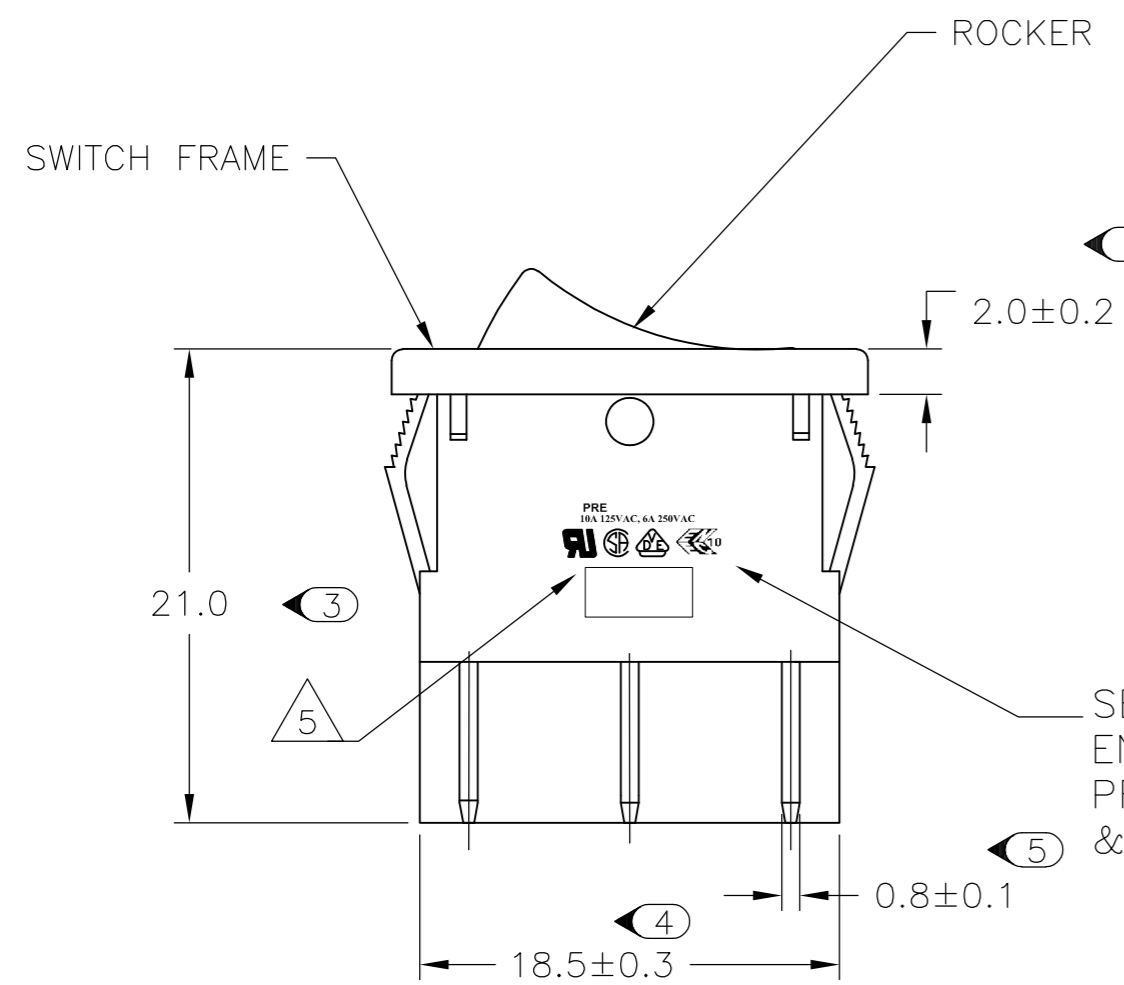
TYCO ELECTRONICS LOGO
PER TEC-202-36

7 1634200-8 SHOWN ON-OFF ILLUMINATED

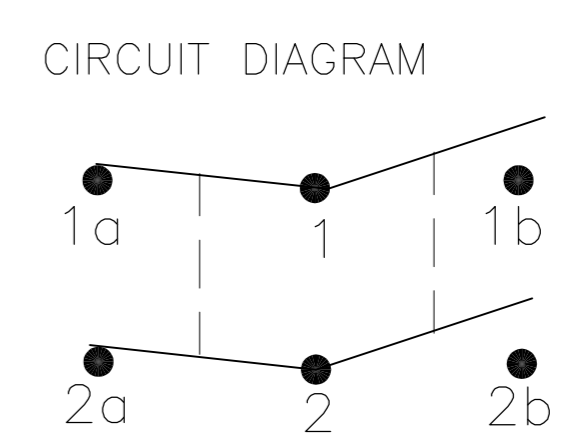
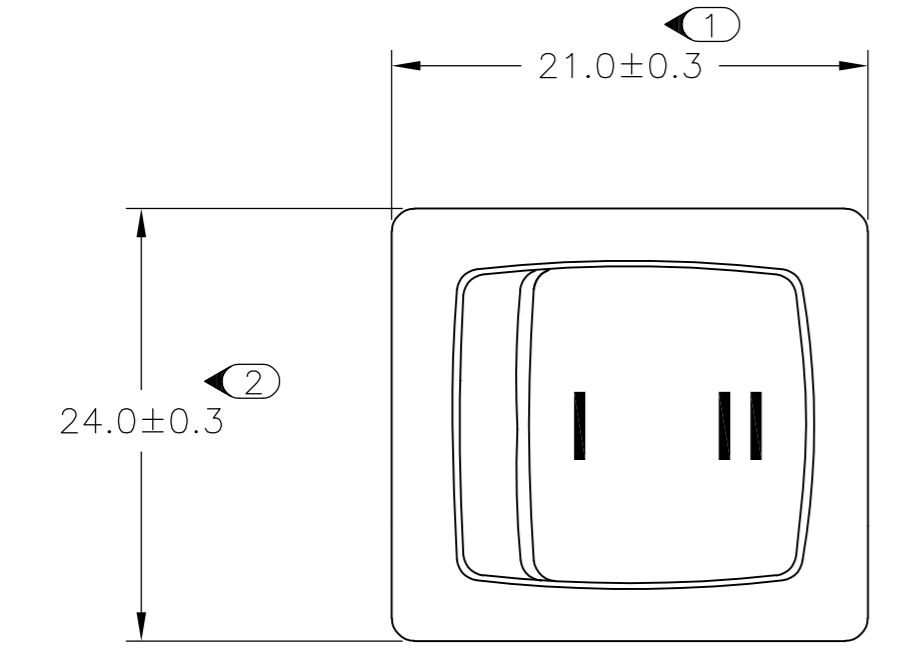
THIS DRAWING IS A CONTROLLED DOCUMENT.		DWN SA008712	2-4-07	Tyco Electronics Corporation Harrisburg, PA 17105-3608	
DIMENSIONS: mm		CHK -	APVD -	NAME Power Rocker Switch 19,4mm x 22,2mm Panel Cut Out Size Double Pole, Single Throw, Illuminated	
TOLERANCES UNLESS OTHERWISE SPECIFIED:		PRODUCT SPEC -	APPLICATION SPEC -	SIZE A2	RESTRICTED TO -
0 PLC ± -		WEIGHT -		CAGE CODE 00779	DRAWING NO C=1634200
1 PLC ± -		MATERIAL -		SCALE 3:1	SHEET 2 of 7
2 PLC ± -		FINISH -		REV E	
3 PLC ± -					
4 PLC ± -					
ANGLES ± -					
CUSTOMER DRAWING					

THIS DRAWING IS UNPUBLISHED. RELEASED FOR PUBLICATION
 © COPYRIGHT BY TYCO ELECTRONICS CORPORATION. ALL INTERNATIONAL RIGHTS RESERVED.

LOC	DIST	REVISIONS			
P	LTR	DESCRIPTION	DATE	DWN	APVD
-	-	SEE SHEET 1	-	-	-

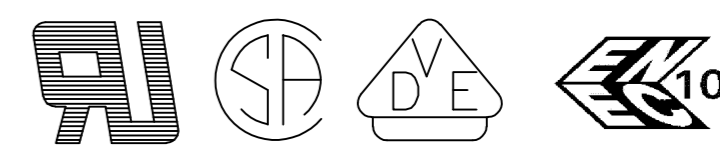


2.00-3.00	20.20	22.20
1.25-2.00	19.60	22.20
0.75-1.25	19.40	22.20
PANEL THICKNESS	X	Y



**PRODUCT MARKING
DETAIL A**

**PRE
10A 125VAC, 6A 250VAC**



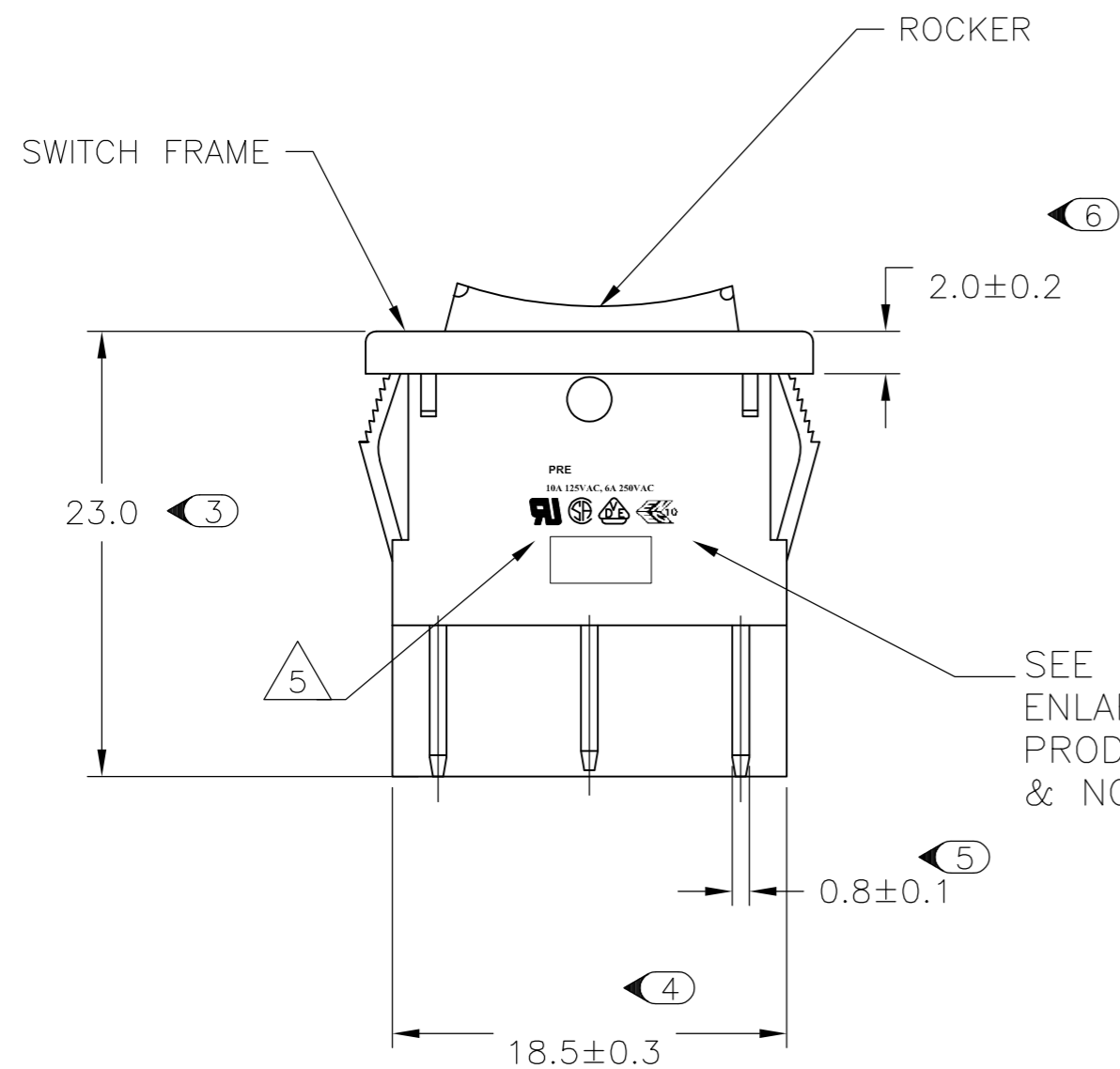
TYCO ELECTRONICS LOGO
PER TEC-202-36

8 1-1634200-2 SHOWN ON-ON

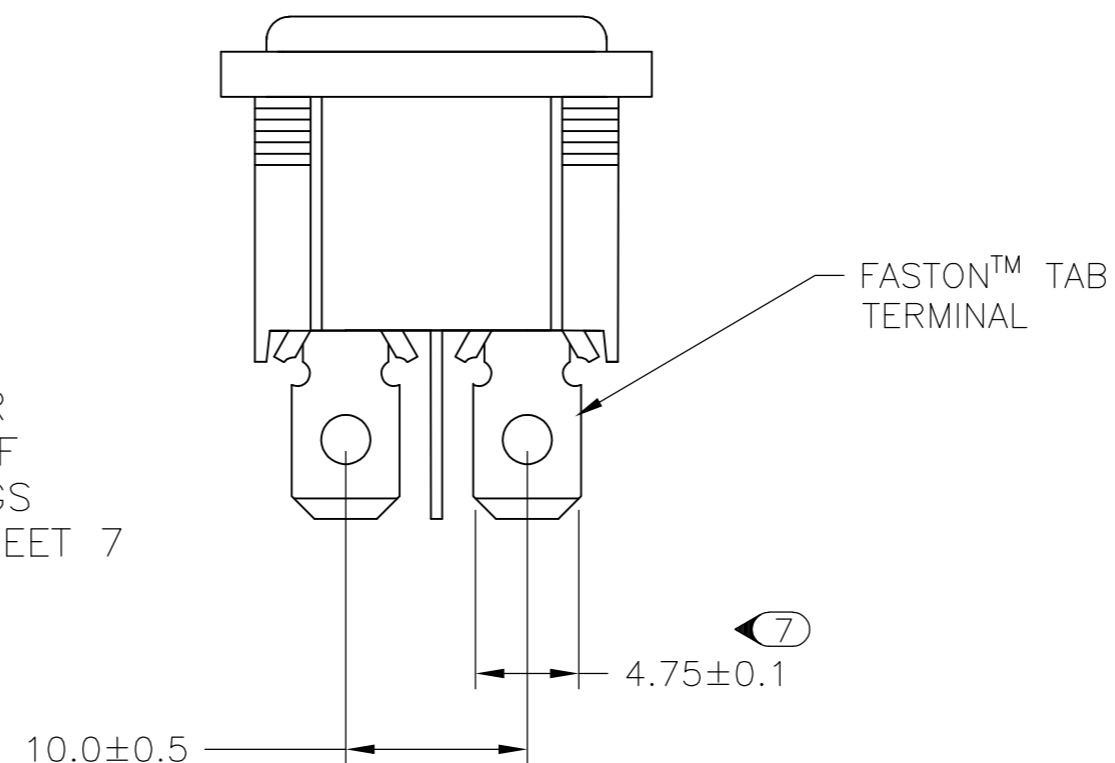
THIS DRAWING IS A CONTROLLED DOCUMENT.		DWN SA008712 2-4-07	Tyco Electronics Corporation Harrisburg, PA 17105-3608	
DIMENSIONS: mm		CHK -	NAME Power Rocker Switch 19,4mm x 22,2mm Panel Cut Out Size Double Pole, NON-Illuminated	
TOLERANCES UNLESS OTHERWISE SPECIFIED:		APVD -	SIZE A2 CAGE CODE 00779 DRAWING NO. C=1634200	
0 PLC ± -		PRODUCT SPEC -	RESTRICTED TO -	
1 PLC ± -		APPLICATION SPEC -	SCALE 3:1 SHEET 3 OF 7 REV E	
2 PLC ± -		WEIGHT -		
3 PLC ± -				
4 PLC ± -				
ANGLES ± -				
FINISH -				
MATERIAL -		CUSTOMER DRAWING		

THIS DRAWING IS UNPUBLISHED. RELEASED FOR PUBLICATION
 © COPYRIGHT BY TYCO ELECTRONICS CORPORATION. ALL INTERNATIONAL RIGHTS RESERVED.

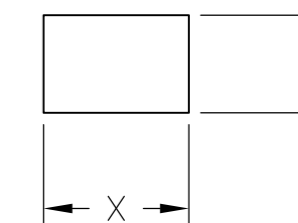
LOC	DIST	REVISIONS			
P	LTR	DESCRIPTION	DATE	DWN	APVD
-	-	SEE SHEET 1	-	-	-



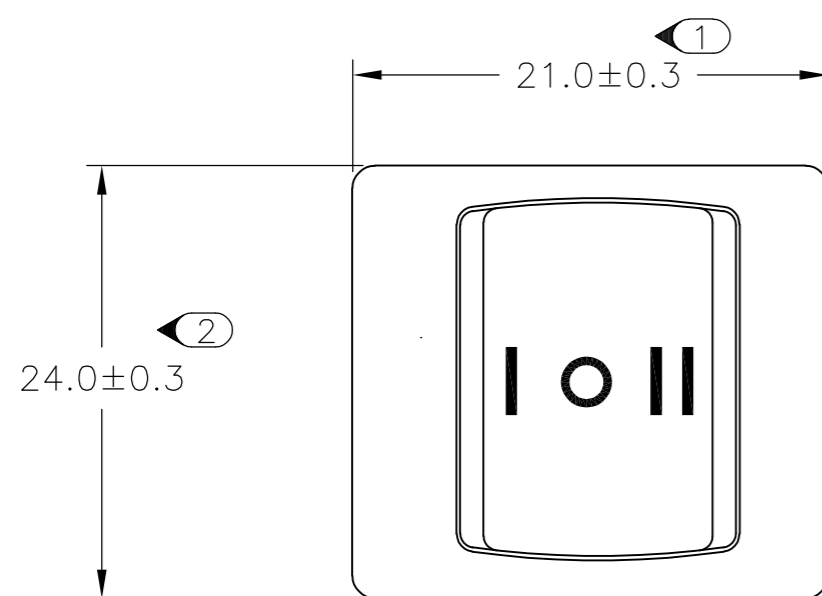
SEE DETAIL A FOR ENLARGED VIEW OF PRODUCT MARKINGS & NOTE 5 ON SHEET 7



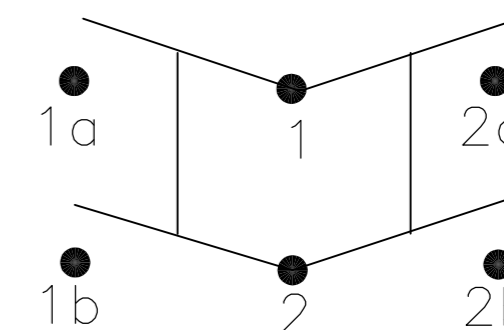
PANEL CUT OUT



2.00-3.00	20.20	22.20
1.25-2.00	19.60	22.20
0.75-1.25	19.40	22.20
PANEL THICKNESS	X	Y

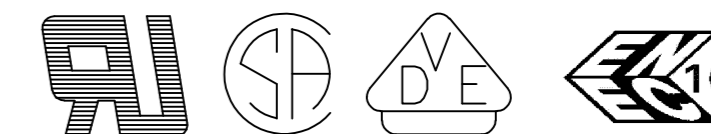


CIRCUIT DIAGRAM



**PRODUCT MARKING
DETAIL A**

**PRE
10A 125VAC, 6A 250VAC**



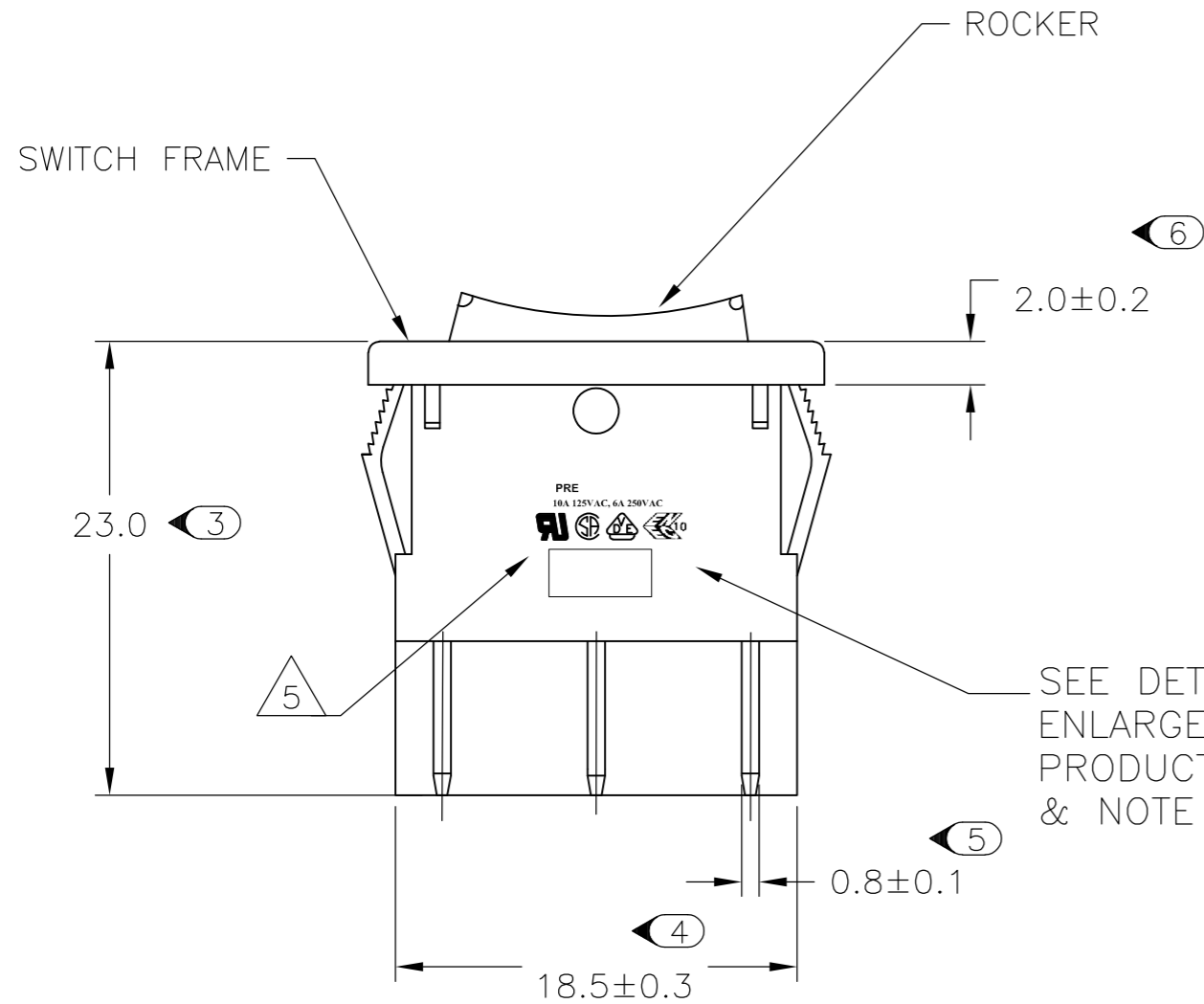
TYCO ELECTRONICS LOGO
PER TEC-202-36

9 1-1634200-7 SHOWN ON-OFF-ON

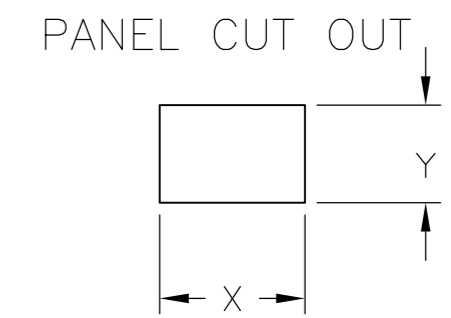
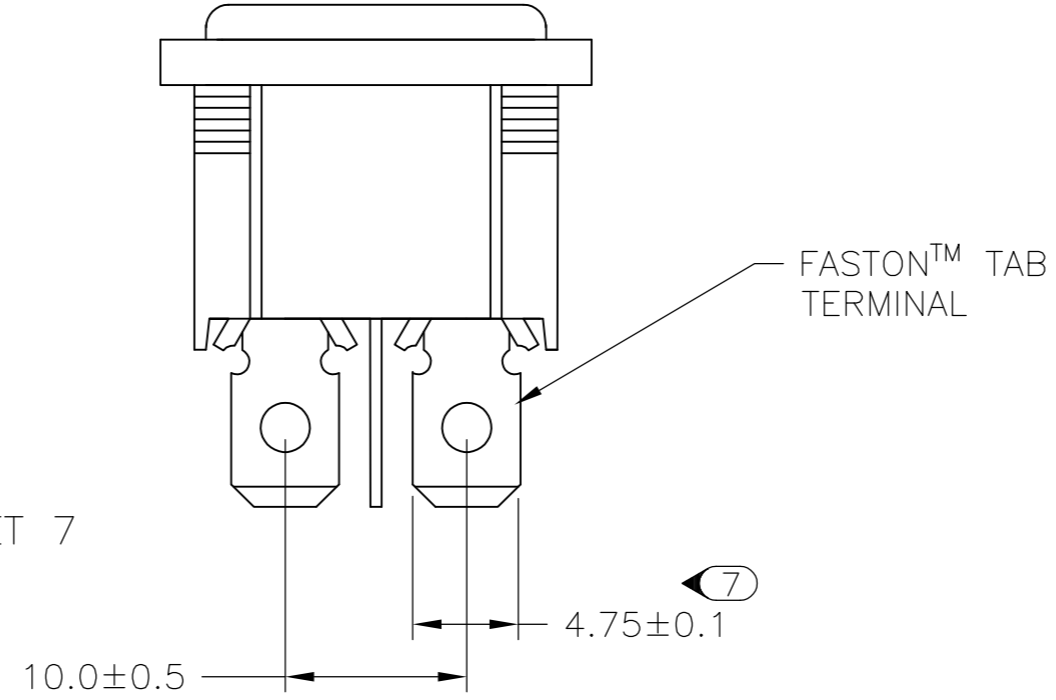
THIS DRAWING IS A CONTROLLED DOCUMENT.		DWN SA008712 2-4-07	Tyco Electronics Corporation Harrisburg, PA 17105-3608	
DIMENSIONS: mm	TOLERANCES UNLESS OTHERWISE SPECIFIED:	CHK -	NAME Power Rocker Switch 19,4mm x 22,2mm Panel Cut Out Size Double Pole, NON-Illuminated	
	0 PLC ± -	APVD -	SIZE A2	RESTRICTED TO -
	1 PLC ± -	PRODUCT SPEC -	CAGE CODE 00779	DRAWING NO C=1634200
MATERIAL -	FINISH -	APPLICATION SPEC -	SCALE 3:1	SHEET 4 OF 7
		WEIGHT -	CUSTOMER DRAWING	REV E

THIS DRAWING IS UNPUBLISHED. RELEASED FOR PUBLICATION
 © COPYRIGHT BY TYCO ELECTRONICS CORPORATION. ALL INTERNATIONAL RIGHTS RESERVED.

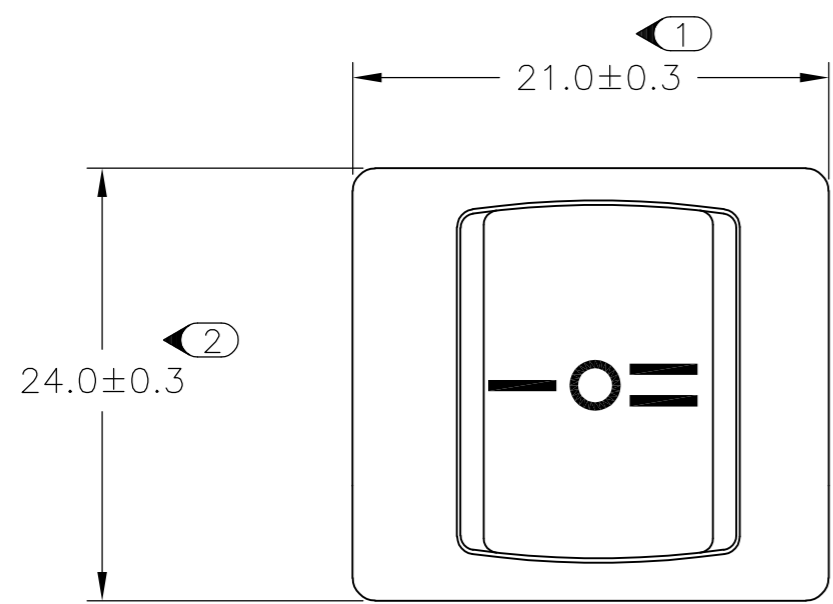
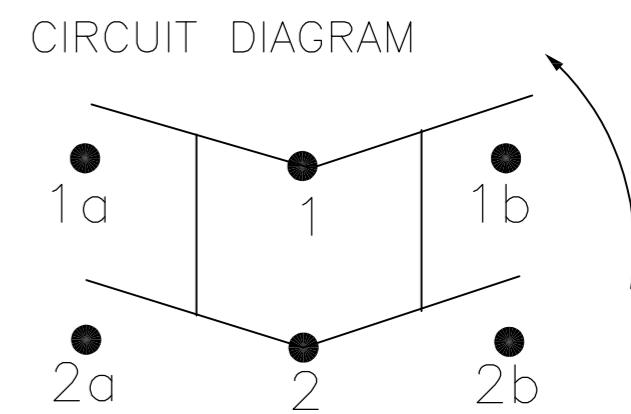
LOC	DIST	REVISIONS			
P	LTR	DESCRIPTION	DATE	DWN	APVD
-	-	SEE SHEET 1	-	-	-



SEE DETAIL A FOR ENLARGED VIEW OF PRODUCT MARKINGS & NOTE 5 ON SHEET 7

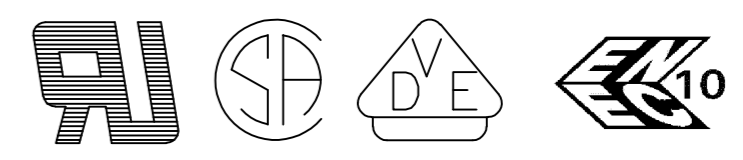


2.00-3.00	20.20	22.20
1.25-2.00	19.60	22.20
0.75-1.25	19.40	22.20
PANEL THICKNESS	X	Y



**PRODUCT MARKING
DETAIL A**

**PRE
10A 125VAC, 6A 250VAC**



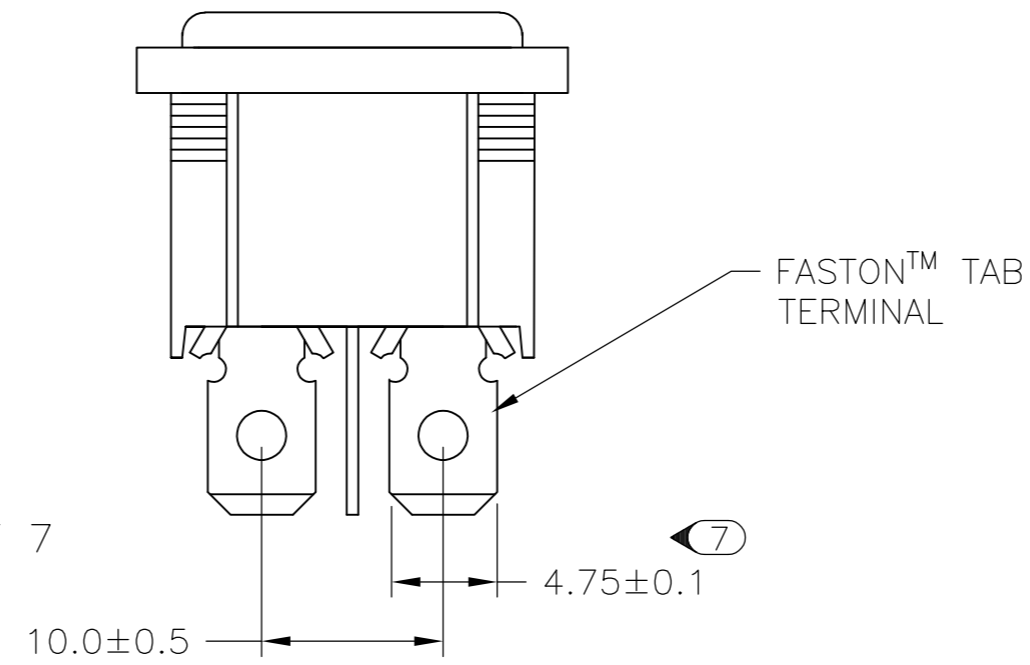
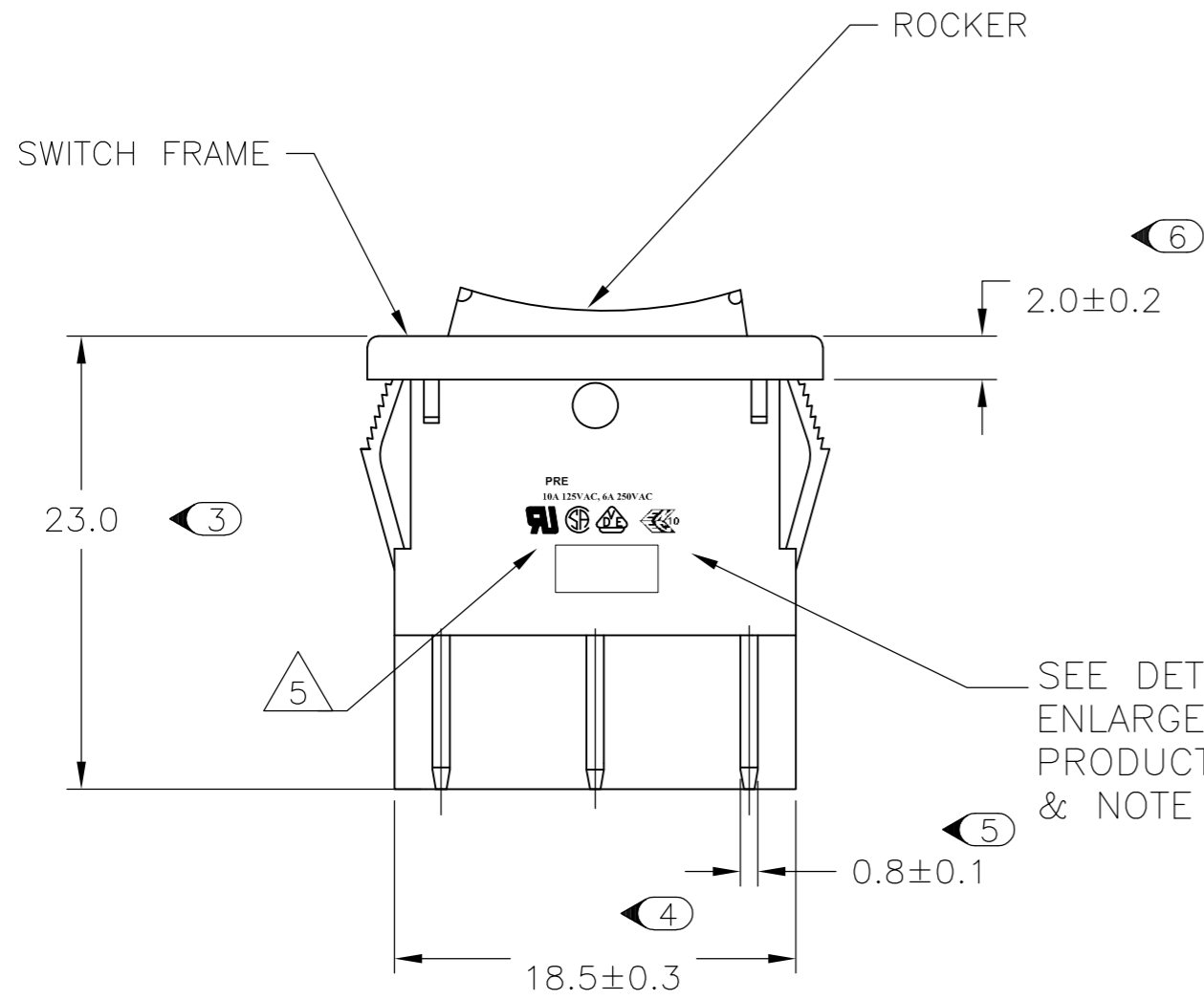
TYCO ELECTRONICS LOGO
PER TEC-202-36

10 2-1634200-3 SHOWN ON-OFF-(ON)

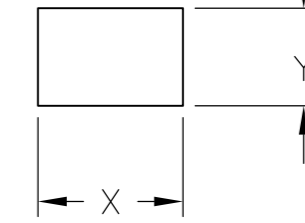
THIS DRAWING IS A CONTROLLED DOCUMENT.		DWN SA008712	2-4-07	Tyco Electronics Corporation Harrisburg, PA 17105-3608	
DIMENSIONS: mm		CHK -	APVD -	NAME Power Rocker Switch 19,4mm x 22,2mm Panel Cut Out Size Double Pole, NON-Illuminated	
TOLERANCES UNLESS OTHERWISE SPECIFIED:		PRODUCT SPEC -	APPLICATION SPEC -	SIZE A2	CAGE CODE 00779
0 PLC ± -	1 PLC ± -	2 PLC ± -	3 PLC ± -	DRAWING NO C=1634200	RESTRICTED TO -
4 PLC ± -	ANGLES ± -	FINISH -	WEIGHT -	SCALE 3:1	SHEET 5 OF 7
MATERIAL -	FINISH -	CUSTOMER DRAWING		REV E	

THIS DRAWING IS UNPUBLISHED. RELEASED FOR PUBLICATION
 © COPYRIGHT BY TYCO ELECTRONICS CORPORATION. ALL INTERNATIONAL RIGHTS RESERVED.

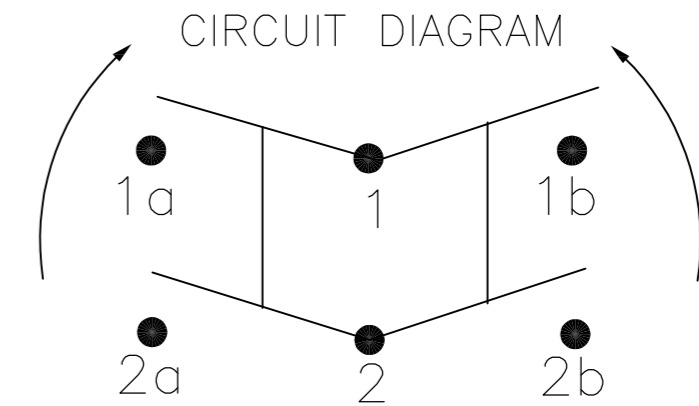
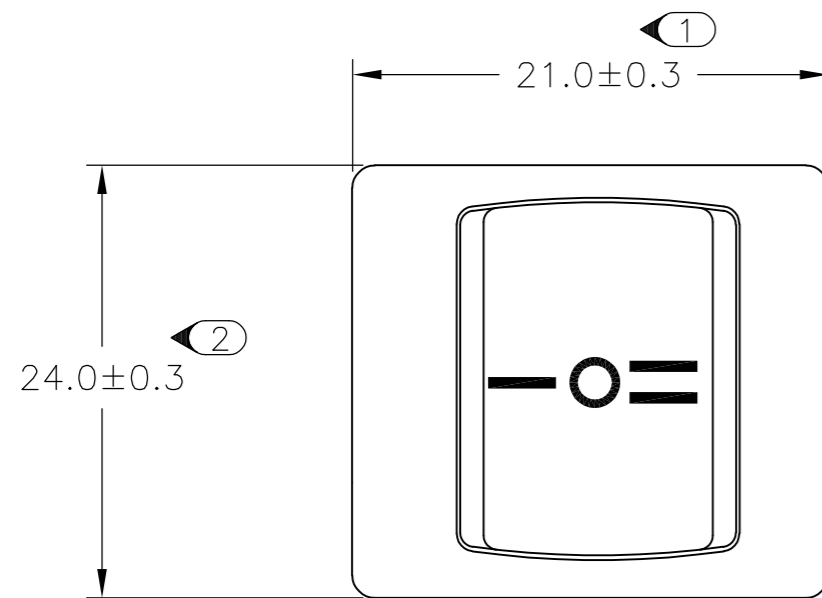
LOC	DIST	REVISIONS			
P	LTR	DESCRIPTION	DATE	DWN	APVD
-	-	SEE SHEET 1	-	-	-



PANEL CUT OUT

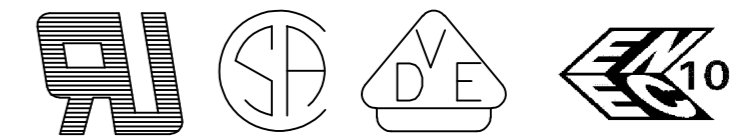


2.00-3.00	20.20	22.20
1.25-2.00	19.60	22.20
0.75-1.25	19.40	22.20
PANEL THICKNESS	X	Y



**PRODUCT MARKING
DETAIL A**

**PRE
10A 125VAC, 6A 250VAC**



TYCO ELECTRONICS LOGO
PER TEC-202-36

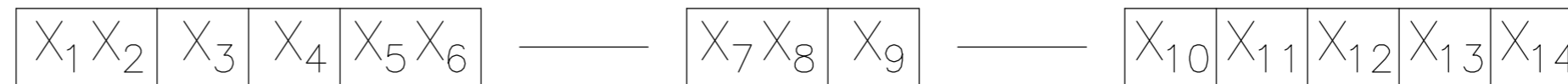
11 2-1634200-6 SHOWN (ON)-OFF-(ON)

THIS DRAWING IS A CONTROLLED DOCUMENT.		DWN SA008712 2-4-07	Tyco Electronics Corporation Harrisburg, PA 17105-3608	
DIMENSIONS: mm	TOLERANCES UNLESS OTHERWISE SPECIFIED:	CHK -	NAME Power Rocker Switch 19,4mm x 22,2mm Panel Cut Out Size Double Pole, NON-Illuminated	
	0 PLC ± -	APVD -	SIZE A2	RESTRICTED TO -
	1 PLC ± -	PRODUCT SPEC -	CAGE CODE 00779	DRAWING NO C=1634200
	2 PLC ± -	APPLICATION SPEC -	SCALE 3:1	SHEET 6 OF 7
	3 PLC ± -	WEIGHT -	REV E	
	4 PLC ± -	CUSTOMER DRAWING		
	ANGLES ± -			
MATERIAL -	FINISH -			

THIS DRAWING IS UNPUBLISHED. RELEASED FOR PUBLICATION
 © COPYRIGHT BY TYCO ELECTRONICS CORPORATION. ALL INTERNATIONAL RIGHTS RESERVED.

LOC	DIST	REVISIONS					
IF	-	P	LTR	DESCRIPTION	DATE	DWN	APVD
		-	-	SEE SHEET 1	-	-	-

ALCOSWITCH PART NUMBER



1 MATERIALS:
 HOUSING FRAME: NYLON 66.
 ACTUATOR: NYLON 66/ PC(ILLUMINATED)
 TERMINALS C1100R-1/2H WITH SILVER PLATED CONTACTS
 AgALLOY

2 FINISH:
 TERMINAL, ACTIVE CONTACTOR: 1.0µm [.000039] SILVER
 PLUNGER: 3.0µm[.000118] NICKEL

3 ELECTRICAL SPECIFICATIONS:
 CONTACT RESISTANCE : 50m ohm Max
 DIELECTRIC STRENGTH : AC 1500V, 1 MINUTE
 OPERATION TEMPERATURE: -20°C~85°C
 INSULATION R: DC 500V 100M ohm MIN

4 CURRENT AND VOLTAGE 10A@125VAC/6A@250VAC

5 ELECTRICAL RATINGS, APPROVED AGENCY LOGOS,
 TE LOGO PER TEC-202-36 APPROXIMATELY AS SHOWN
 AND PART NUMBER CAN APPEAR ON EITHER SIDE
 (FOR FULL DETAIL SEE INDIVIDUAL DRAWING)

6 ON-OFF, WITH OPAQUE, SINGLE-COLOR ROCKER BUTTON.

7 ON-OFF, WITH TRANSPARENT, LAMP-ILLUMINATED ROCKER
 BUTTON.

8 ON-ON, WITH OPAQUE, SINGLE-COLOR ROCKER BUTTON.

9 ON-OFF-ON, WITH OPAQUE, SINGLE-COLOR ROCKER BUTTON.

10 ON-OFF-(ON), WITH OPAQUE, SINGLE-COLOR ROCKER
 BUTTON.

11 (ON)-OFF-(ON), WITH OPAQUE, SINGLE-COLOR ROCKER
 BUTTON.

12 REFER TO QIP DIMENSIONAL REPORT

13 2002/95/EC/(RoHS) COMPLIANT

14 COMPONENT RECOGNIZED TO EUROPEAN STANDARDS (ENEC,
 PENDING VDE). MARKS LICENSE No. 40006757

SWITCH TYPE: X1X2 = PR - POWER ROCKER

NOMINAL PANEL CUT OUT SIZE: X3 = E - 19.4X22.2 [.764x.874]

NUMBER OF POLES: X4 = D - DOUBLE

SWITCH FUNCTION: X5X6 = A1 -
B1 -
D1 -
D3 -
D4 -
D5 -

CURRENT RATING: X7X8 = OZ -

TERMINAL TYPE: X9 = F - FASTON™ TAB
L - SOLDER LUG

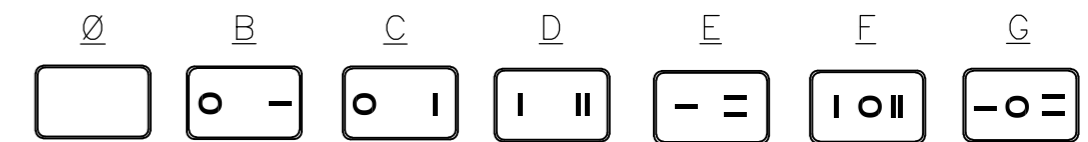
FRAME COLOR: X10 = B - BLACK
W - WHITE

ROCKER COLOR: X11 = B - BLACK
G - GREEN
R - RED
W - WHITE

SECONDARY ROCKER COLOR: X12 = Ø - NOT APPLICABLE

B - BLACK
G - GREEN
R - RED
W - WHITE

LEGEND TEXT PATTERN: X13 =



LEGEND TEXT COLOR: X14 = Ø - NOT APPLICABLE

G - GREEN
R - RED
B - BLACK
W - WHITE

1	PREDA1-07F-BB000	1634200-1
1	PREDA1-07F-BB0BW	1634200-2
1	PREDA1-07F-BB0CW	1634200-3
1	PREDA1-07L-BB000	1634200-4
1	PREDA1-07L-BB0BW	1634200-5
1	PREDA1-07L-BB0CW	1634200-6
2	PREDB1-07F-BR000	1634200-7
2	PREDB1-07L-BR000	1634200-8
2	PREDB1-07F-BG000	1634200-9
2	PREDB1-07L-BG000	1-1634200-0
3	PREDD1-07F-BB000	1-1634200-1
3	PREDD1-07F-BB0DW	1-1634200-2
3	PREDD1-07F-BB0EW	1-1634200-3
3	PREDD1-07L-BB000	1-1634200-4
3	PREDD1-07L-BB0DW	1-1634200-5
3	PREDD1-07L-BB0EW	1-1634200-6
4	PREDD3-07F-BB0FW	1-1634200-7
4	PREDD3-07F-BB0GW	1-1634200-8
4	PREDD3-07L-BB0FW	1-1634200-9
4	PREDD3-07L-BB0GW	2-1634200-0
5	PREDD4-07F-BB000	2-1634200-1
5	PREDD4-07F-BB0FW	2-1634200-2
5	PREDD4-07F-BB0GW	2-1634200-3
6	PREDD5-07F-BB000	2-1634200-4
6	PREDD5-07F-BB0FW	2-1634200-5
6	PREDD5-07F-BB0GW	2-1634200-6
SHEET REF	ALCOSWITCH PART NUMBER.	TE PART NUMBER.

THIS DRAWING IS A CONTROLLED DOCUMENT.		DWN SA008712 2-4-07	Tyco Electronics Corporation Harrisburg, PA 17105-3608	
DIMENSIONS: mm		CHK -	NAME Power Rocker Switch 19,4mm x 22,2mm Panel Cut Out Size	
TOLERANCES UNLESS OTHERWISE SPECIFIED:		APVD -	SIZE CAGE CODE DRAWING NO RESTRICTED TO	
0 PLC ± -		PRODUCT SPEC -	A2 00779 C=1634200 -	
1 PLC ± -		APPLICATION SPEC -	SCALE 3:1 SHEET 7 OF 7 REV E	
2 PLC ± -		WEIGHT -		
3 PLC ± -		CUSTOMER DRAWING		
4 PLC ± -				
ANGLES ± -				
MATERIAL -				
FINISH -				



Компания «ЭлектроПласт» предлагает заключение долгосрочных отношений при поставках импортных электронных компонентов на взаимовыгодных условиях!

Наши преимущества:

- Оперативные поставки широкого спектра электронных компонентов отечественного и импортного производства напрямую от производителей и с крупнейших мировых складов;
- Поставка более 17-ти миллионов наименований электронных компонентов;
- Поставка сложных, дефицитных, либо снятых с производства позиций;
- Оперативные сроки поставки под заказ (от 5 рабочих дней);
- Экспресс доставка в любую точку России;
- Техническая поддержка проекта, помощь в подборе аналогов, поставка прототипов;
- Система менеджмента качества сертифицирована по Международному стандарту ISO 9001;
- Лицензия ФСБ на осуществление работ с использованием сведений, составляющих государственную тайну;
- Поставка специализированных компонентов (Xilinx, Altera, Analog Devices, Intersil, Interpoint, Microsemi, Aeroflex, Peregrine, Syfer, Eurofarad, Texas Instrument, Miteq, Cobham, E2V, MA-COM, Hittite, Mini-Circuits, General Dynamics и др.);

Помимо этого, одним из направлений компании «ЭлектроПласт» является направление «Источники питания». Мы предлагаем Вам помощь Конструкторского отдела:

- Подбор оптимального решения, техническое обоснование при выборе компонента;
- Подбор аналогов;
- Консультации по применению компонента;
- Поставка образцов и прототипов;
- Техническая поддержка проекта;
- Защита от снятия компонента с производства.



Как с нами связаться

Телефон: 8 (812) 309 58 32 (многоканальный)

Факс: 8 (812) 320-02-42

Электронная почта: org@eplast1.ru

Адрес: 198099, г. Санкт-Петербург, ул. Калинина, дом 2, корпус 4, литера А.