

FEATURES

- Differential or Single-Ended Gain Block (Adjustable)
- -3dB Bandwidth, $A_V = \pm 10$ 35MHz
- Slew Rate 220V/ μ s
- Low Supply Current 13mA
- Output Current ± 20 mA
- CMRR at 10MHz 48dB
- LT1193 Pin Out
- Low Cost
- Single 5V Operation
- Drives Cables Directly
- Output Shutdown

APPLICATIONS

- Line Receivers
- Video Signal Processing
- Cable Drivers
- Tape and Disc Drive Systems

DESCRIPTION

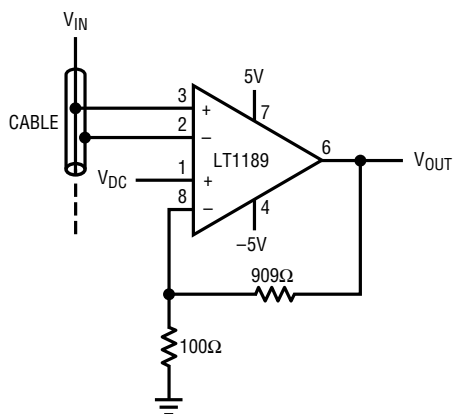
The LT1189 is a difference amplifier optimized for operation on ± 5 V, or a single 5V supply, and gain ≥ 10 . This versatile amplifier features uncommitted high input impedance (+) and (-) inputs, and can be used in differential or single-ended configurations. Additionally, a second set of inputs give gain adjustment and DC control to the difference amplifier.

The LT1189's high slew rate, 220V/ μ s, wide bandwidth, 35MHz, and ± 20 mA output current require only 13mA of supply current. The shutdown feature reduces the power dissipation to a mere 15mW, and allows multiple amplifiers to drive the same cable.

The LT1189 is a low power, gain of 10 stable version of the popular LT1193, and is available in 8-pin miniDIPs and SO packages. For lower gain applications see the LT1187 data sheet.

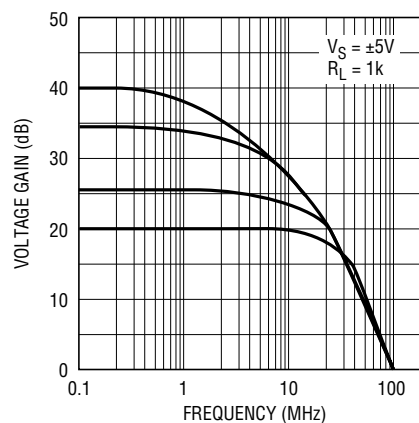
TYPICAL APPLICATION

Cable Sense Amplifier for Loop Through Connections with DC Adjust



LT1189 • TA01

Closed-Loop Gain vs Frequency



LT1189 • TA02

ABSOLUTE MAXIMUM RATINGS

Total Supply Voltage (V^+ to V^-)	18V
Differential Input Voltage	$\pm 6V$
Input Voltage	$\pm V_S$
Output Short Circuit Duration (Note 1)	Continuous
Operating Temperature Range	
LT1189M	-55°C to 150°C
LT1189C	0°C to 70°C
Junction Temperature (Note 2)	
Plastic Package (CN8,CS8)	150°C
Ceramic Package (CJ8,MJ8)	175°C
Storage Temperature Range	-65°C to 150°C
Lead Temperature (Soldering, 10 sec.)	300°C

PACKAGE/ORDER INFORMATION

<p>J8 PACKAGE N8 PACKAGE 8-LEAD HERMETIC DIP 8-LEAD PLASTIC DIP</p> <p>S8 PACKAGE 8-LEAD PLASTIC SOIC</p> <p>LT1189 • POI01</p> <p>$T_{JMAX} = 175^\circ\text{C}, \theta_{JA} = 100^\circ\text{C/W}$ (J8) $T_{JMAX} = 150^\circ\text{C}, \theta_{JA} = 100^\circ\text{C/W}$ (N8) $T_{JMAX} = 150^\circ\text{C}, \theta_{JA} = 150^\circ\text{C/W}$ (S8)</p>	ORDER PART NUMBER
	LT1189MJ8 LT1189CJ8 LT1189CN8 LT1189CS8
	S8 PART MARKING
	1189

$\pm 5V$ ELECTRICAL CHARACTERISTICS $T_A = 25^\circ\text{C}$, (Note 3)

$V_S = \pm 5V$, $V_{REF} = 0V$, $R_{FB1} = 900\Omega$ from pins 6 to 8, $R_{FB2} = 100\Omega$ from pin 8 to ground, $R_L = R_{FB1} + R_{FB2} = 1k$, $C_L \leq 10pF$, pin 5 open.

SYMBOL	PARAMETER	CONDITIONS	LT1189M/C			UNITS
			MIN	TYP	MAX	
V_{OS}	Input Offset Voltage	Either Input, (Note 4) SOIC Package		1.0	3.0	mV
				1.0	4.0	mV
I_{OS}	Input Offset Current	Either Input		0.2	1.0	μA
I_B	Input Bias Current	Either Input		± 0.5	± 2.0	μA
e_n	Input Noise Voltage	$f_0 = 10\text{kHz}$		30		$\text{nV}/\sqrt{\text{Hz}}$
i_n	Input Noise Current	$f_0 = 10\text{kHz}$		1.25		$\text{pA}/\sqrt{\text{Hz}}$
R_{IN}	Input Resistance	Differential		30		$\text{k}\Omega$
C_{IN}	Input Capacitance	Either Input		2.0		pF
$V_{IN\ LIM}$	Input Voltage Limit	(Note 5)		± 170		mV
				-2.5	3.5	V
CMRR	Common-Mode Rejection Ratio	$V_{CM} = -2.5V$ to $3.5V$	80	105		dB
PSRR	Power Supply Rejection Ratio	$V_S = \pm 2.375V$ to $\pm 8V$	75	90		dB
V_{OUT}	Output Voltage Swing	$V_S = \pm 5V, R_L = 1k, A_V = 50$	± 3.8	± 4.0		V
		$V_S = \pm 8V, R_L = 1k, A_V = 50$	± 6.7	± 7.0		
		$V_S = \pm 8V, R_L = 300\Omega, A_V = 50$, (Note 3)	± 6.4	± 6.8		
G_E	Gain Error	$V_0 = \pm 1.0V, A_V = 10$		1.0	3.5	%
SR	Slew Rate	(Note 6, 10)	150	220		$\text{V}/\mu\text{s}$
FPBW	Full Power Bandwidth	$V_0 = 2V_{P-P}$, (Note 7)		35		MHz
BW	Small Signal Bandwidth	$A_V = 10$		35		MHz
t_r, t_f	Rise Time, Fall Time	$A_V = 50, V_0 = \pm 1.5V$, 20% to 80% (Note 10)	35	50	75	ns
t_{PD}	Propagation Delay	$R_L = 1k, V_0 = \pm 125mV$, 50% to 50%		12		ns
	Overshoot	$V_0 = \pm 50mV$		10		%
t_s	Settling Time	3V Step, 0.1%, (Note 8)		1		μs
Diff A_V	Differential Gain	$R_L = 1k, A_V = 10$, (Note 9)		0.6		%
Diff Ph	Differential Phase	$R_L = 1k, A_V = 10$, (Note 9)		0.75		DEG _{P-P}
I_S	Supply Current			13	16	mA
	Shutdown Supply Current	Pin 5 at V^-		0.8	1.5	mA

±5V ELECTRICAL CHARACTERISTICS $T_A = 25^\circ\text{C}$, (Note 3)

$V_S = \pm 5\text{V}$, $V_{REF} = 0\text{V}$, $R_{FB1} = 900\Omega$ from pins 6 to 8, $R_{FB2} = 100\Omega$ from pin 8 to ground, $R_L = R_{FB1} + R_{FB2} = 1\text{k}$, $C_L \leq 10\text{pF}$, pin 5 open.

SYMBOL	PARAMETER	CONDITIONS	LT1189M/C			UNITS
			MIN	TYP	MAX	
$I_{S/D}$	Shutdown Pin Current	Pin 5 at V^-		5	25	μA
t_{on}	Turn On Time	Pin 5 from V^- to Ground, $R_L = 1\text{k}$		500		ns
t_{off}	Turn Off Time	Pin 5 from Ground to V^- , $R_L = 1\text{k}$		600		ns

5V ELECTRICAL CHARACTERISTICS $T_A = 25^\circ\text{C}$, (Note 3)

$V_S^+ = 5\text{V}$, $V_S^- = 0\text{V}$, $V_{REF} = 2.5\text{V}$, $R_{FB1} = 900\Omega$ from pins 6 to 8, $R_{FB2} = 100\Omega$ from pin 8 to V_{REF} , $R_L = R_{FB1} + R_{FB2} = 1\text{k}$, $C_L \leq 10\text{pF}$, pin 5 open.

SYMBOL	PARAMETER	CONDITIONS	LT1189M/C			UNITS
			MIN	TYP	MAX	
V_{OS}	Input Offset Voltage	Either Input, (Note 4) SOIC Package		1.0	3.0	mV
				1.0	5.0	mV
I_{OS}	Input Offset Current	Either Input		0.2	1.0	μA
I_B	Input Bias Current	Either Input		± 0.5	± 2.0	μA
	Input Voltage Range		2.0		3.5	V
CMRR	Common-Mode Rejection Ratio	$V_{CM} = 2.0\text{V}$ to 3.5V	80	100		dB
V_{OUT}	Output Voltage Swing	$R_L = 300\Omega$ to Ground (Note 3)	V_{OUT} High	3.6	4.0	V
			V_{OUT} Low		0.15	
SR	Slew Rate	$V_O = 1.5\text{V}$ to 3.5V		175		$\text{V}/\mu\text{s}$
BW	Small-Signal Bandwidth	$A_V = 10$		30		MHz
I_S	Supply Current			12	15	mA
	Shutdown Supply Current	Pin 5 at V^-		0.8	1.5	mA
$I_{S/D}$	Shutdown Pin Current	Pin 5 at V^-		5	25	μA

±5V ELECTRICAL CHARACTERISTICS $-55^\circ\text{C} \leq T_A \leq 125^\circ\text{C}$, (Note 3)

$V_S = \pm 5\text{V}$, $V_{REF} = 0\text{V}$, $R_{FB1} = 900\Omega$ from pins 6 to 8, $R_{FB2} = 100\Omega$ from pin 8 to ground, $R_L = R_{FB1} + R_{FB2} = 1\text{k}$, $C_L \leq 10\text{pF}$, pin 5 open.

SYMBOL	PARAMETER	CONDITIONS	LT1189M			UNITS
			MIN	TYP	MAX	
V_{OS}	Input Offset Voltage	Either Input, (Note 4)		1.0	7.5	mV
$\Delta V_{OS}/\Delta T$	Input V_{OS} Drift			10		$\mu\text{V}/^\circ\text{C}$
I_{OS}	Input Offset Current	Either Input		0.2	1.5	μA
I_B	Input Bias Current	Either Input		± 0.5	± 3.5	μA
	Input Voltage Range		-2.5		3.5	V
CMRR	Common-Mode Rejection Ratio	$V_{CM} = -2.5\text{V}$ to 3.5V	80	105		dB
PSRR	Power Supply Rejection Ratio	$V_S = \pm 2.375\text{V}$ to $\pm 8\text{V}$	65	90		dB
V_{OUT}	Output Voltage Swing	$V_S = \pm 5\text{V}$, $R_L = 1\text{k}$, $A_V = 50$	± 3.7	± 4.0	V	
		$V_S = \pm 8\text{V}$, $R_L = 1\text{k}$, $A_V = 50$	± 6.6	± 7.0		
		$V_S = \pm 8\text{V}$, $R_L = 300\Omega$, $A_V = 50$, (Note 3)	± 6.4	± 6.6		
G_E	Gain Error	$V_O = \pm 1\text{V}$, $A_V = 10$, $R_L = 1\text{k}$		1.0	6.0	%
I_S	Supply Current			13	17	mA
	Shutdown Supply Current	Pin 5 at V^- , (Note 11)		0.8	1.5	mA
$I_{S/D}$	Shutdown Pin Current	Pin 5 at V^-		5	25	μA

±5V ELECTRICAL CHARACTERISTICS $0^{\circ}\text{C} \leq T_A \leq 70^{\circ}\text{C}$, (Note 3)

$V_S = \pm 5\text{V}$, $V_{\text{REF}} = 0\text{V}$, $R_{\text{FB1}} = 900\Omega$ from pins 6 to 8, $R_{\text{FB2}} = 100\Omega$ from pin 8 to ground, $R_L = R_{\text{FB1}} + R_{\text{FB2}} = 1\text{k}$, $C_L \leq 10\text{pF}$, pin 5 open.

SYMBOL	PARAMETER	CONDITIONS	LT1189C			UNITS
			MIN	TYP	MAX	
V_{OS}	Input Offset Voltage (Note 4)	Either Input SOIC Package		1.0	3.0	mV
				1.0	6.0	mV
$\Delta V_{\text{OS}}/\Delta T$	Input V_{OS} Drift			5.0		$\mu\text{V}/^{\circ}\text{C}$
I_{OS}	Input Offset Current	Either Input		0.2	1.5	μA
I_{B}	Input Bias Current	Either Input		± 0.5	± 3.5	μA
	Input Voltage Range		-2.5		3.5	V
CMRR	Common-Mode Rejection Ratio	$V_{\text{CM}} = -2.5\text{V}$ to 3.5V	80	105		dB
PSRR	Power Supply Rejection Ratio	$V_S = \pm 2.375\text{V}$ to $\pm 8\text{V}$	70	90		dB
V_{OUT}	Output Voltage Swing	$V_S = \pm 5\text{V}$, $R_L = 1\text{k}$, $A_V = 50$	± 3.7	± 4.0		V
		$V_S = \pm 8\text{V}$, $R_L = 1\text{k}$, $A_V = 50$	± 6.6	± 7.0		
		$V_S = \pm 8\text{V}$, $R_L = 300\Omega$, $A_V = 50$, (Note 3)	± 6.4	± 6.6		
G_E	Gain Error	$V_O = \pm 1\text{V}$, $A_V = 10$, $R_L = 1\text{k}$		1.0	3.5	%
I_S	Supply Current			13	17	mA
	Shutdown Supply Current	Pin 5 at V^- , (Note 11)		0.8	1.5	mA
$I_{\text{S/D}}$	Shutdown Pin Current	Pin 5 at V^-		5	25	μA

5V ELECTRICAL CHARACTERISTICS $0^{\circ}\text{C} \leq T_A \leq 70^{\circ}\text{C}$, (Note 3)

$V_S^+ = +5\text{V}$, $V_S^- = 0\text{V}$, $V_{\text{REF}} = 2.5\text{V}$, $R_{\text{FB1}} = 900\Omega$ from pins 6 to 8, $R_{\text{FB2}} = 100\Omega$ from pin 8 to V_{REF} , $R_L = R_{\text{FB1}} + R_{\text{FB2}} = 1\text{k}$, $C_L \leq 10\text{pF}$, pin 5 open.

SYMBOL	PARAMETER	CONDITIONS	LT1189C			UNITS
			MIN	TYP	MAX	
V_{OS}	Input Offset Voltage, (Note 4)	Either Input		1.0	3.0	mV
$\Delta V_{\text{OS}}/\Delta T$	Input V_{OS} Drift			5.0		$\mu\text{V}/^{\circ}\text{C}$
I_{OS}	Input Offset Current	Either Input		0.2	1.5	μA
I_{B}	Input Bias Current	Either Input		± 0.5	± 3.5	μA
	Input Voltage Range		2.0		3.5	V
CMRR	Common-Mode Rejection Ratio	$V_{\text{CM}} = 2.0\text{V}$ to 3.5V	80	100		dB
V_{OUT}	Output Voltage Swing	$R_L = 300\Omega$ to Ground (Note 3)	V_{OUT} High	3.5	4.0	V
			V_{OUT} Low		0.15	0.4
I_S	Supply Current			12	16	mA
	Shutdown Supply Current	Pin 5 at V^- , (Note 11)		0.8	1.5	mA
$I_{\text{S/D}}$	Shutdown Pin Current	Pin 5 at V^-		5	25	μA

Note 1: A heat sink may be required to keep the junction temperature below absolute maximum when the output is shorted continuously.

Note 2: T_J is calculated from the ambient temperature T_A and power dissipation P_D according to the following formulas:

$$\begin{aligned} \text{LT1189MJ8, LT1189CJ8: } & T_J = T_A + (P_D \times 100^{\circ}\text{C}/\text{W}) \\ \text{LT1189CN8: } & T_J = T_A + (P_D \times 100^{\circ}\text{C}/\text{W}) \\ \text{LT1189CS8: } & T_J = T_A + (P_D \times 150^{\circ}\text{C}/\text{W}) \end{aligned}$$

Note 3: When $R_L = 1\text{k}$ is specified, the load resistor is $R_{\text{FB1}} + R_{\text{FB2}}$, but when $R_L = 300\Omega$ is specified, then an additional 430Ω is added to the output such that $(R_{\text{FB1}} + R_{\text{FB2}})$ in parallel with 430Ω is $R_L = 300\Omega$.

Note 4: V_{OS} measured at the output (pin 6) is the contribution from both input pair, and is input referred.

Note 5: $V_{\text{IN LIM}}$ is the maximum voltage between $-V_{\text{IN}}$ and $+V_{\text{IN}}$ (pin 2 and pin 3) for which the output can respond.

Note 6: Slew rate is measured between $\pm 1\text{V}$ on the output, with a V_{IN} step of $\pm 0.5\text{V}$, $A_V = 10$ and $R_L = 1\text{k}$.

Note 7: Full power bandwidth is calculated from the slew rate measurement: $\text{FPBW} = \text{SR}/2\pi V_p$.

Note 8: Settling time measurement techniques are shown in "Take the Guesswork Out of Settling Time Measurements," EDN, September 19, 1985.

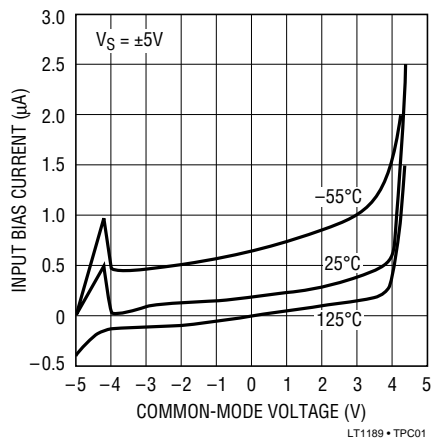
Note 9: NTSC (3.58MHz).

Note 10: AC parameters are 100% tested on the ceramic and plastic DIP packaged parts (J8 and N8 suffix) and are sample tested on every lot of the SO packaged parts (S8 suffix).

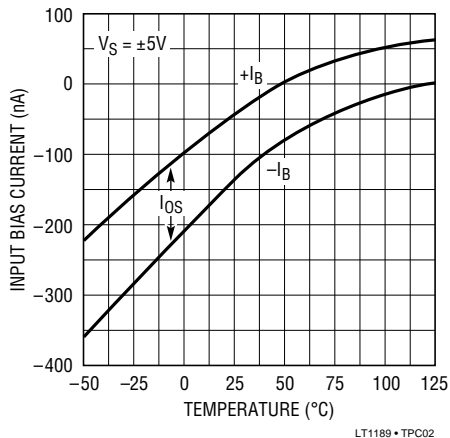
Note 11: See Application section for shutdown at elevated temperatures. Do not operate shutdown above $T_J > 125^{\circ}\text{C}$.

TYPICAL PERFORMANCE CHARACTERISTICS

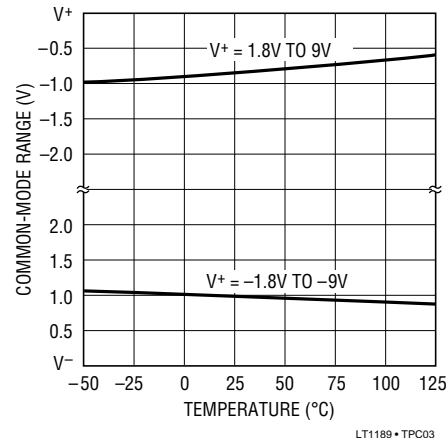
Input Bias Current vs Common-Mode Voltage



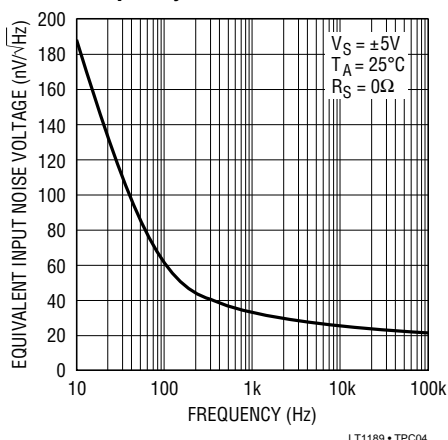
Input Bias Current vs Temperature



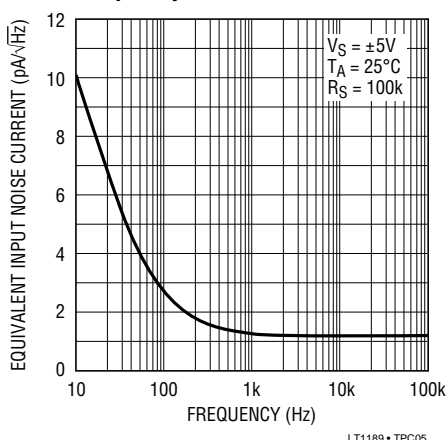
Common-Mode Voltage vs Temperature



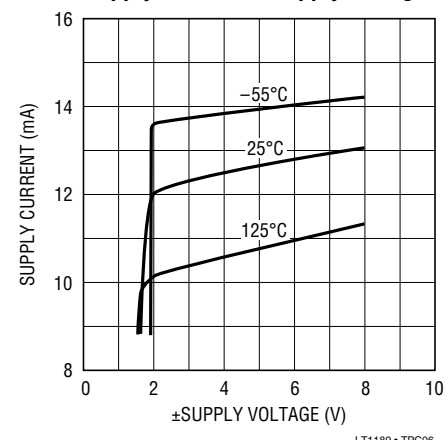
Equivalent Input Noise Voltage vs Frequency



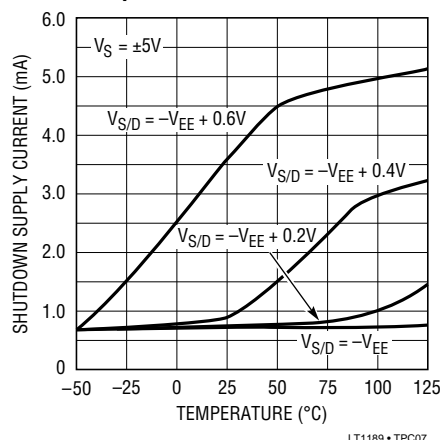
Equivalent Input Noise Current vs Frequency



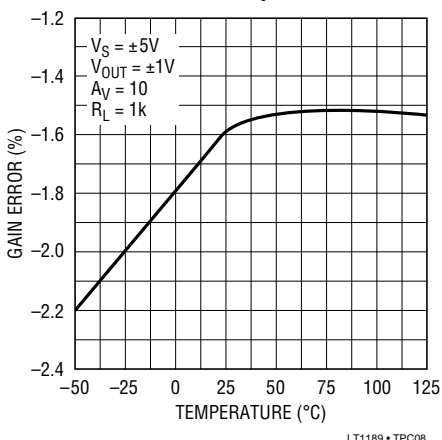
Supply Current vs Supply Voltage



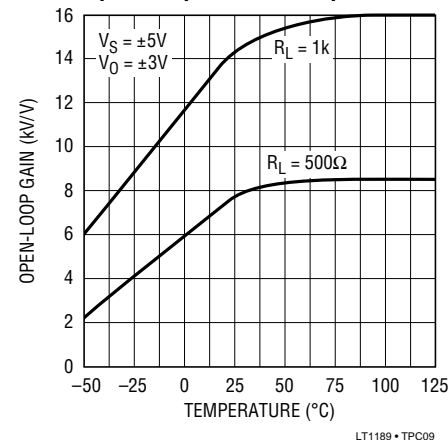
Shutdown Supply Current vs Temperature



Gain Error vs Temperature

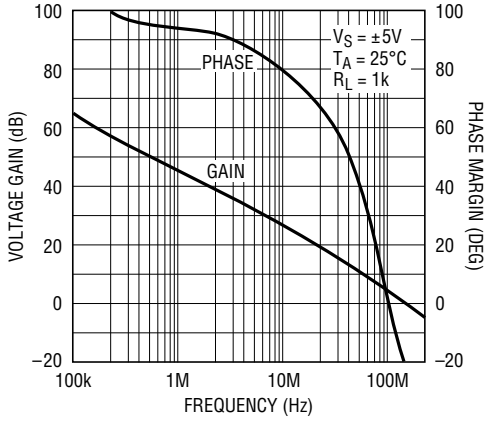


Open-Loop Gain vs Temperature



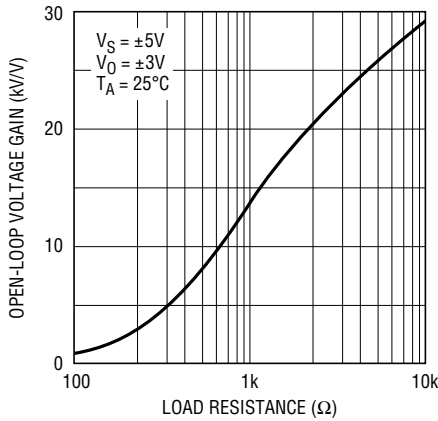
TYPICAL PERFORMANCE CHARACTERISTICS

Gain, Phase vs Frequency



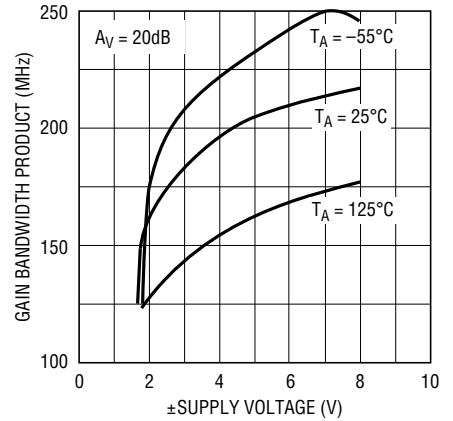
LT1189 • TPC11

Open-Loop Voltage Gain vs Load Resistance



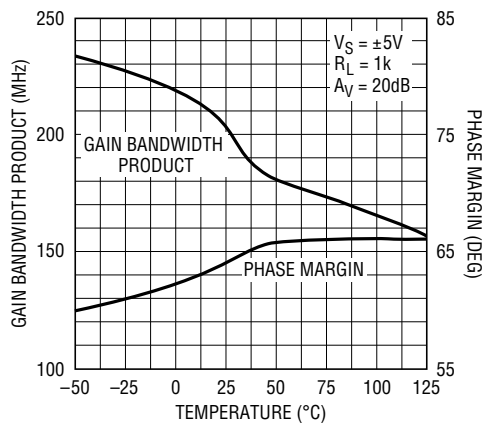
LT1189 • TPC10

Gain Bandwidth Product vs Supply Voltage



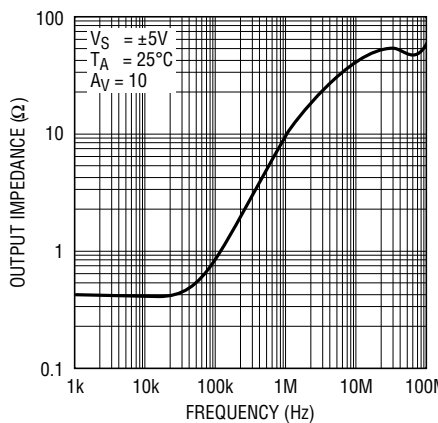
LT1189 • TPC12

Gain Bandwidth Product and Phase Margin vs Temperature



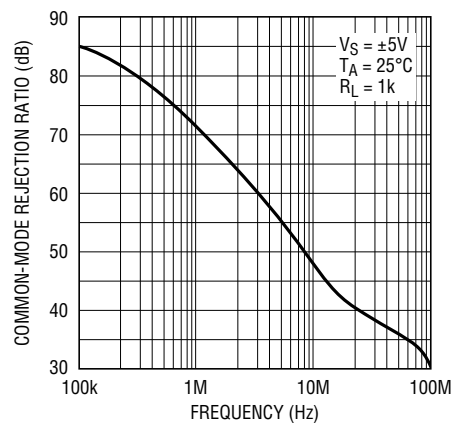
LT1189 • TPC13

Output Impedance vs Frequency



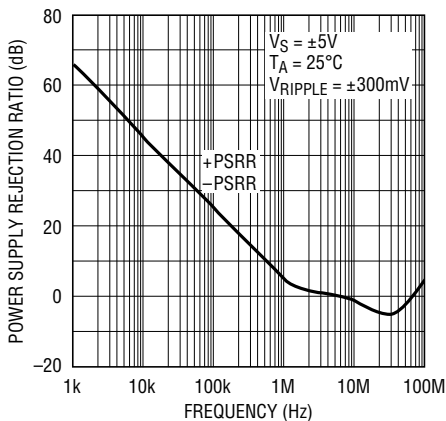
LT1189 • TPC14

Common-Mode Rejection Ratio vs Frequency



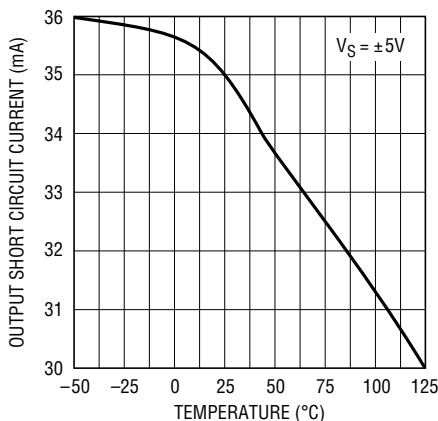
LT1189 • TPC15

Power Supply Rejection Ratio vs Frequency



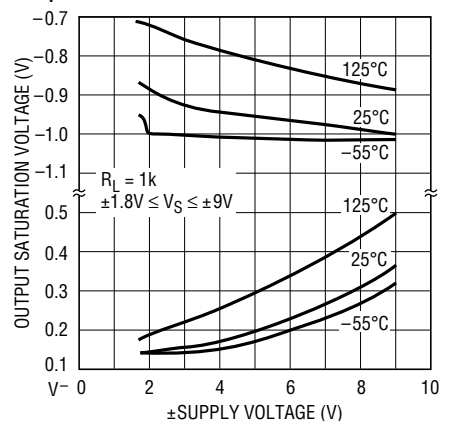
LT1189 • TPC16

Output Short Circuit Current vs Temperature



LT1189 • TPC17

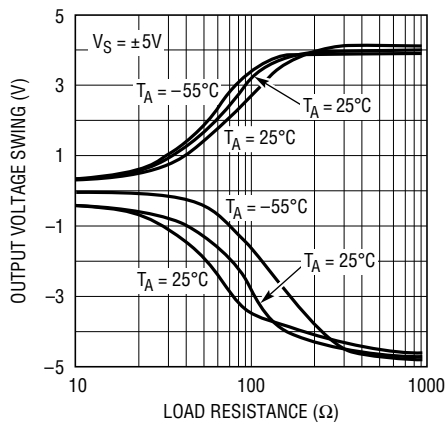
V₊ ± Output Swing vs Supply Voltage



LT1189 • TPC18

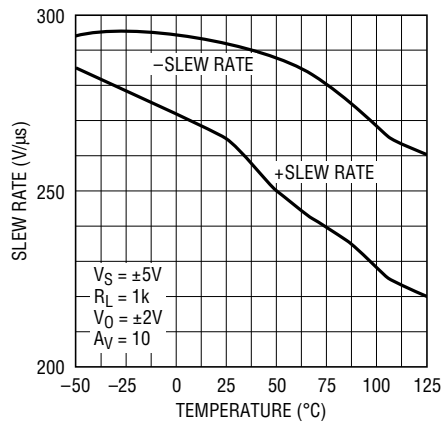
TYPICAL PERFORMANCE CHARACTERISTICS

Output Voltage Swing vs Load Resistance



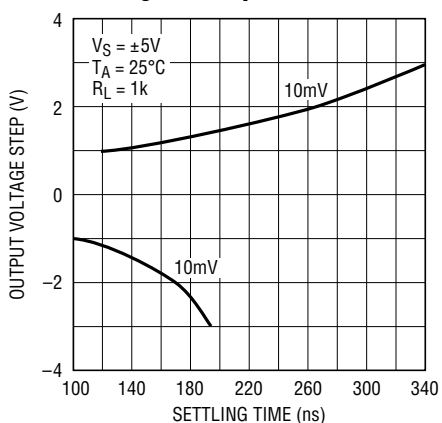
LT1189 • TPC19

Slew Rate vs Temperature



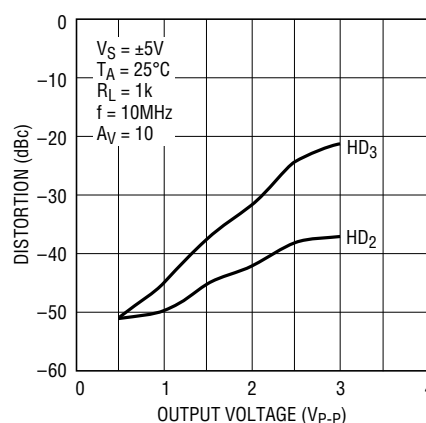
LT1189 • TPC20

Output Voltage Step vs Settling Time, $A_V = 10$



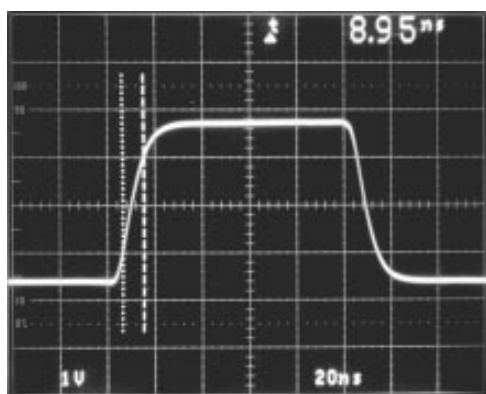
LT1189 • TPC21

Harmonic Distortion vs Output Level



LT1189 • TPC22

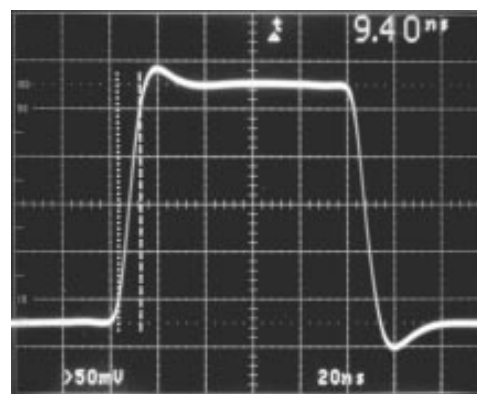
Large-Signal Transient Response



$A_V = 10$, $R_L = 1k$, $+SR = 223V/\mu s$, $-SR = 232V/\mu s$

LT1189 • TPC23

Small-Signal Transient Response



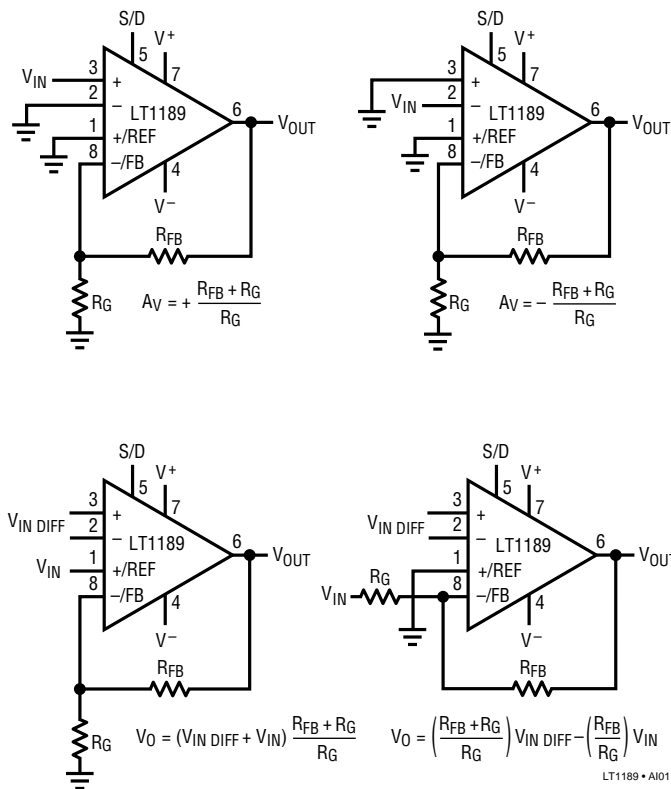
$A_V = 10$, $R_L = 1k$, $t_r = 9.40ns$

LT1189 • TPC24

APPLICATIONS INFORMATION

The primary use of the LT1189 is in converting high speed differential signals to a single-ended output. The LT1189 video difference amplifier has two uncommitted high input impedance (+) and (-) inputs. The amplifier has another set of inputs which can be used for reference and feedback. Additionally, this set of inputs give gain adjust, and DC control to the differential amplifier. The voltage gain of the LT1189 is set like a conventional operational amplifier. Feedback is applied to pin 8, and it is optimized for gains of 10 or greater. The amplifier can be operated single-ended by connecting either the (+) or (-) inputs to the +/REF (pin 1). The voltage gain is set by the resistors: $(R_{FB} + R_G)/R_G$.

Like the single-ended case, the differential voltage gain is set by the external resistors: $(R_{FB} + R_G)/R_G$. The maximum input differential signal for which the output will respond is approximately $\pm 170\text{mV}$.



Power Supply Bypassing

The LT1189 is quite tolerant of power supply bypassing. In some applications a $0.1\mu\text{F}$ ceramic disc capacitor placed 1/2 inch from the amplifier is all that is required. In applications requiring good settling time, it is important to use multiple bypass capacitors. A $0.1\mu\text{F}$ ceramic disc in parallel with a $4.7\mu\text{F}$ tantalum is recommended.

Calculating the Output Offset Voltage

Both input stages contribute to the output offset voltage at pin 6. The feedback correction forces balance in the input stages by introducing an Input V_{OS} at pin 8. The complete expression for the output offset voltage is:

$$V_{OUT} = (V_{OS} + I_{OS}(R_S) + I_B(R_{REF})) \times (R_{FB} + R_G)/R_G + I_B(R_{FB})$$

R_S represents the input source resistance, typically 75Ω , and R_{REF} represents finite source impedance from the DC reference voltage, for V_{REF} grounded, $R_{REF} = 0\Omega$ the I_{OS} is normally a small contributor and the expression simplifies to:

$$V_{OUT} = V_{OS}(R_{FB} + R_G)/R_G + I_B(R_{FB})$$

If R_{FB} is limited to 1k , the last term of the equation contributes only 2mV since I_B is less than $2\mu\text{A}$.

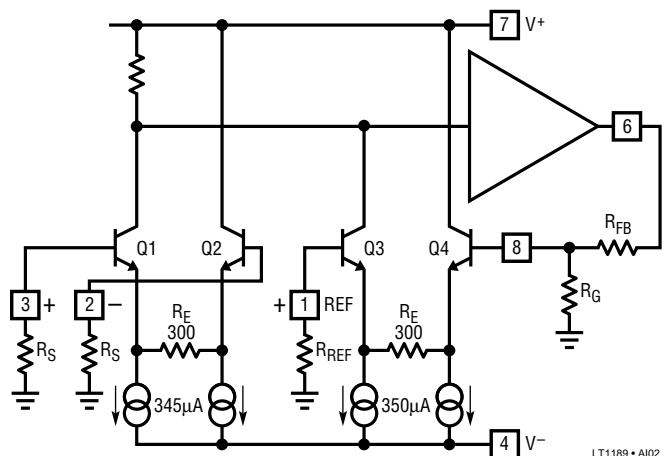


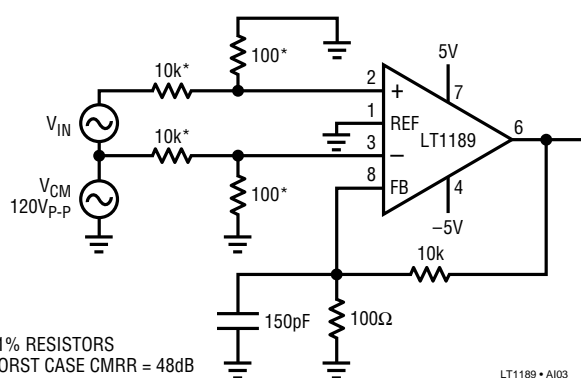
Figure 1. Simplified Input Stage Schematic

APPLICATIONS INFORMATION

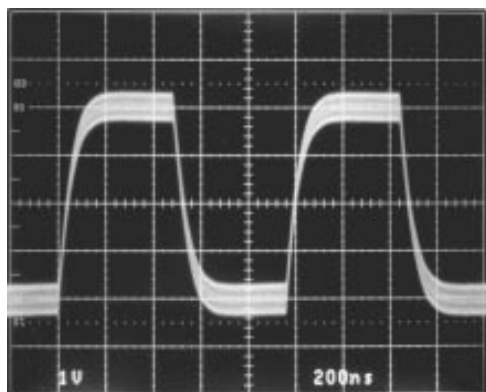
Instrumentation Amplifier Rejects High Voltage

Instrumentation amplifiers are often used to process slowly varying outputs from transducers. With the LT1189 it is easy to make an instrumentation amplifier that can respond to rapidly varying signals. Attenuation resistors in front of the LT1189 allow very large common-mode signals to be rejected while maintaining good frequency response. The input common-mode and differential-mode signals are reduced by 100:1, while the closed-loop gain is set to be 100, thereby maintaining unity-gain input to output. The unique topology allows for frequency response boost by adding 150pF to pin 8 as shown.

3.5MHz Instrumentation Amplifier Rejects 120V_{P-P}

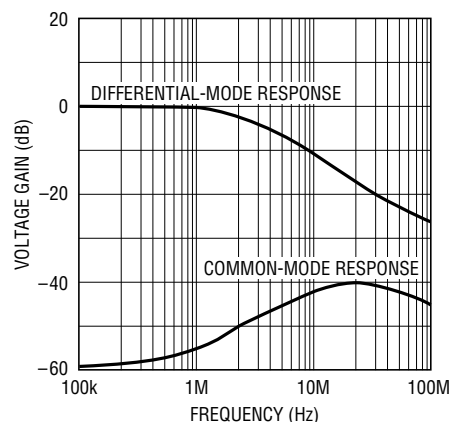


Output of Instrumentation Amplifier with 1MHz Square Wave Riding on 120V_{P-P} at the Input



LT1189 • A104

High Voltage Instrumentation Amplifier Response



Operating with Low Closed-Loop Gain

The LT1189 has been optimized for closed-loop gains of 10 or greater. The amplifier can be operated at much lower closed-loop gains with the aid of a capacitor C_{FB} across the feedback resistor, (feedback zero). This capacitor lowers the closed-loop 3dB bandwidth. The bandwidth cannot be made arbitrarily low because C_{FB} is a short at high frequency and the amplifier will appear configured unity-gain. As an approximate guideline, make $BW \times A_{VCL} = 200\text{MHz}$. This expression expands to:

$$\frac{A_{VCL}}{2\pi(R_{FB})(C_{FB})} = 200\text{MHz}$$

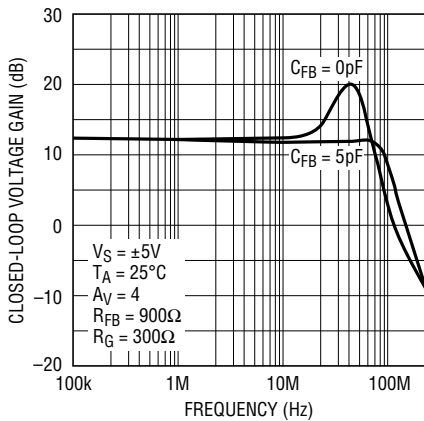
or:

$$C_{FB} = \frac{A_{VCL}}{(200\text{MHz})(2\pi)(R_{FB})}$$

The effect of the feedback zero on the transient and frequency response is shown for $A_V = 4$.

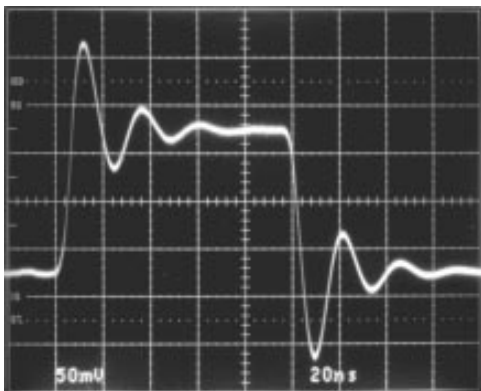
APPLICATIONS INFORMATION

Closed-Loop Voltage Gain vs Frequency



LT1189 • A106

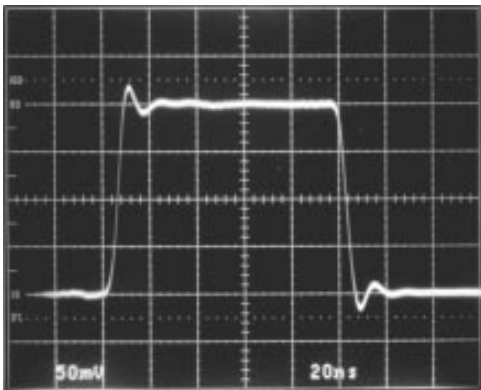
Small-Signal Transient Response



$A_V = 4$, $R_{FB} = 910\Omega$, $R_G = 300\Omega$

LT1189 • A107

Small-Signal Transient Response



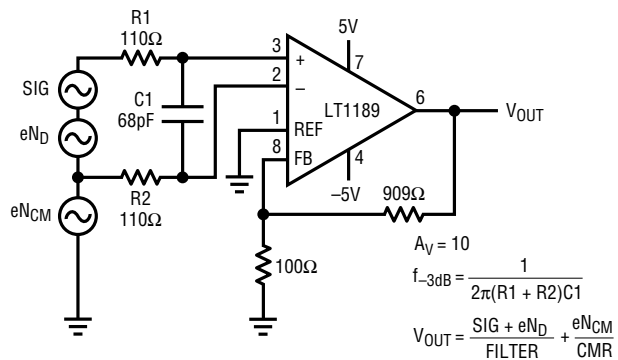
$A_V = 4$, $R_{FB} = 910\Omega$, $R_G = 300\Omega$, $C_{FB} = 5pF$

LT1189 • A108

Reducing the Closed-Loop Bandwidth

Although it is possible to reduce the closed-loop bandwidth by using a feedback zero, instability can occur if the bandwidth is made too low. An alternate technique is to do differential filtering at the input of the amplifier. This technique filters the differential input signal, and the differential noise, but does not filter common-mode noise. Common-mode noise is rejected by the LT1189's CMRR.

10MHz Bandwidth Limited Amplifier



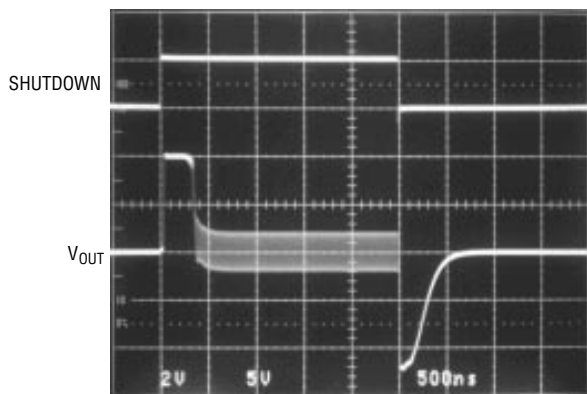
LT1189 • A109

Using the Shutdown Feature

The LT1189 has a unique feature that allows the amplifier to be shutdown for conserving power, or for multiplexing several amplifiers onto a common cable. The amplifier will shutdown by taking pin 5 to V^- . In shutdown, the amplifier dissipates 15mW while maintaining a true high impedance output state of about 20kΩ in parallel with the feedback resistors. For MUX applications, the amplifiers may be configured inverting, non-inverting, or differential. When the output is loaded with as little as 1kΩ from the amplifier's feedback resistors, the amplifier shuts off in 600ns. This shutoff can be under the control of HC CMOS operating between 0V and -5V.

APPLICATIONS INFORMATION

1MHz Sine Wave Gated Off with Shutdown Pin



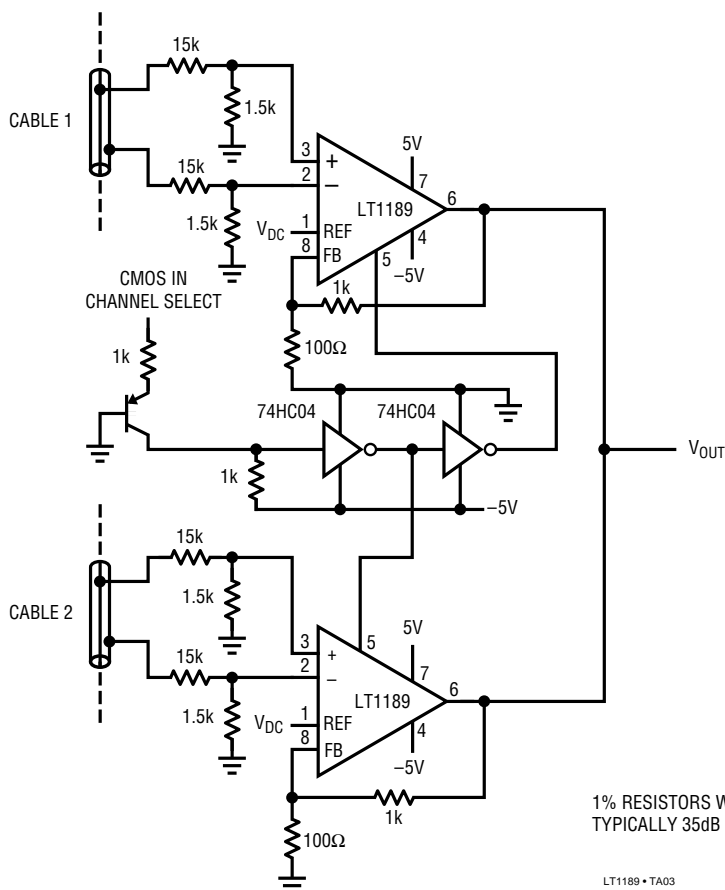
$A_V = 10$, $R_{FB} = 900\Omega$, $R_G = 100\Omega$

LT1189 • A110

The ability to maintain shutoff is shown on the curve Shut down Supply Current vs Temperature in the Typical Performance Characteristics section. At very high elevated temperature it is important to hold the shutdown pin close to the negative supply to keep the supply current from increasing.

TYPICAL APPLICATION

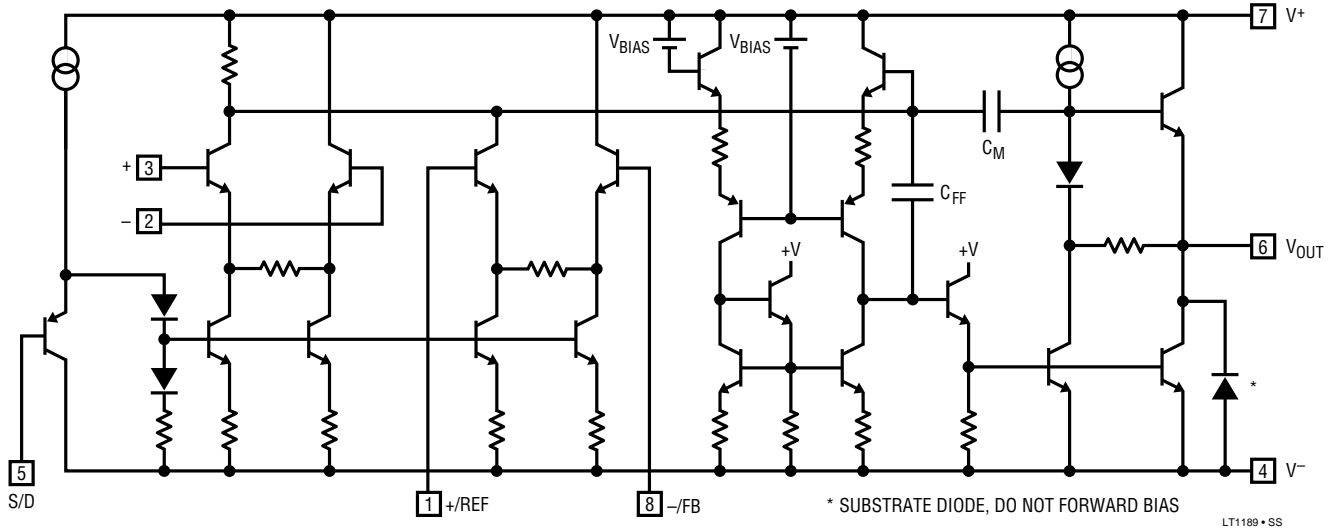
Differential Receiver MUX for Power Down Applications



1% RESISTORS WORST CASE CMRR = 28dB
TYPICALLY 35dB

LT1189 • TA03

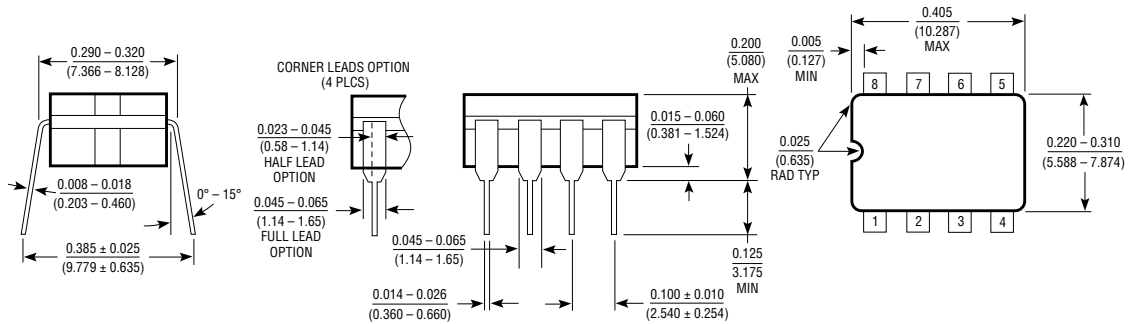
SIMPLIFIED SCHEMATIC



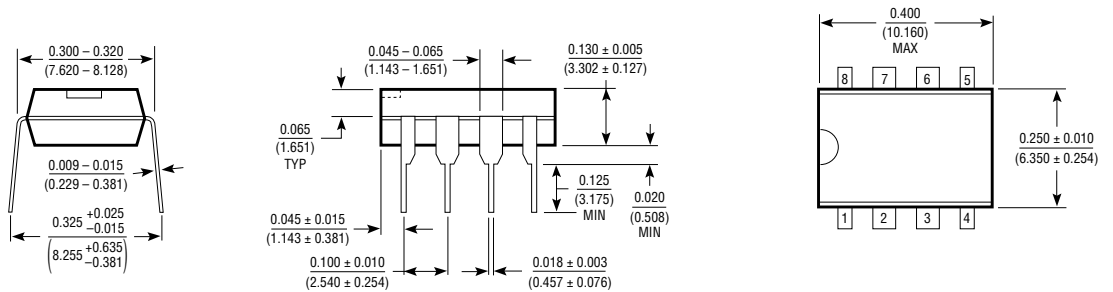
PACKAGE DESCRIPTION

Dimensions in inches (millimeters) unless otherwise noted.

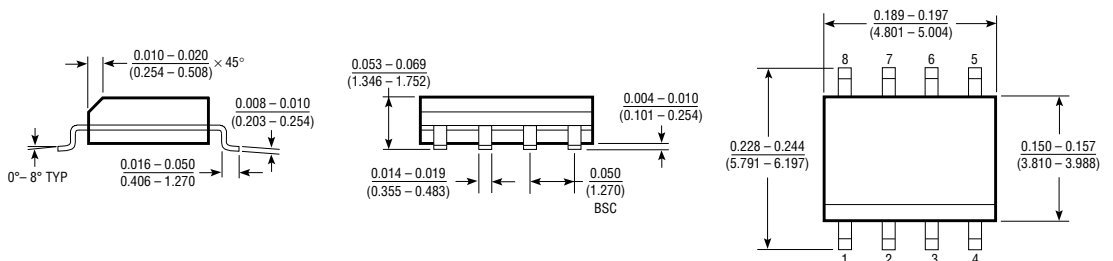
J8 Package
8-Lead Hermetic DIP



N8 Package
8-Lead Plastic DIP



S8 Package
8-Lead Plastic SOIC





Компания «ЭлектроПласт» предлагает заключение долгосрочных отношений при поставках импортных электронных компонентов на взаимовыгодных условиях!

Наши преимущества:

- Оперативные поставки широкого спектра электронных компонентов отечественного и импортного производства напрямую от производителей и с крупнейших мировых складов;
- Поставка более 17-ти миллионов наименований электронных компонентов;
- Поставка сложных, дефицитных, либо снятых с производства позиций;
- Оперативные сроки поставки под заказ (от 5 рабочих дней);
- Экспресс доставка в любую точку России;
- Техническая поддержка проекта, помощь в подборе аналогов, поставка прототипов;
- Система менеджмента качества сертифицирована по Международному стандарту ISO 9001;
- Лицензия ФСБ на осуществление работ с использованием сведений, составляющих государственную тайну;
- Поставка специализированных компонентов (Xilinx, Altera, Analog Devices, Intersil, Interpoint, Microsemi, Aeroflex, Peregrine, Syfer, Eurofarad, Texas Instrument, Miteq, Cobham, E2V, MA-COM, Hittite, Mini-Circuits, General Dynamics и др.);

Помимо этого, одним из направлений компании «ЭлектроПласт» является направление «Источники питания». Мы предлагаем Вам помощь Конструкторского отдела:

- Подбор оптимального решения, техническое обоснование при выборе компонента;
- Подбор аналогов;
- Консультации по применению компонента;
- Поставка образцов и прототипов;
- Техническая поддержка проекта;
- Защита от снятия компонента с производства.



Как с нами связаться

Телефон: 8 (812) 309 58 32 (многоканальный)

Факс: 8 (812) 320-02-42

Электронная почта: org@eplast1.ru

Адрес: 198099, г. Санкт-Петербург, ул. Калинина, дом 2, корпус 4, литера А.