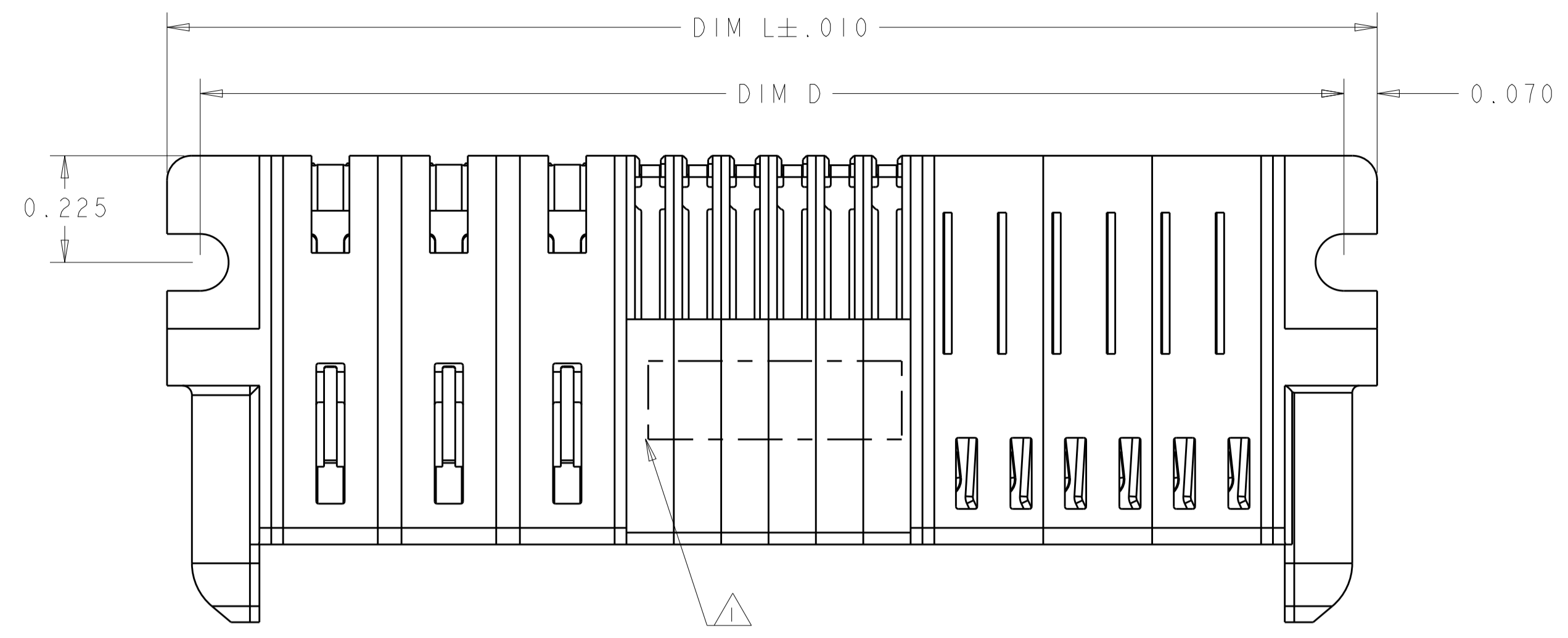
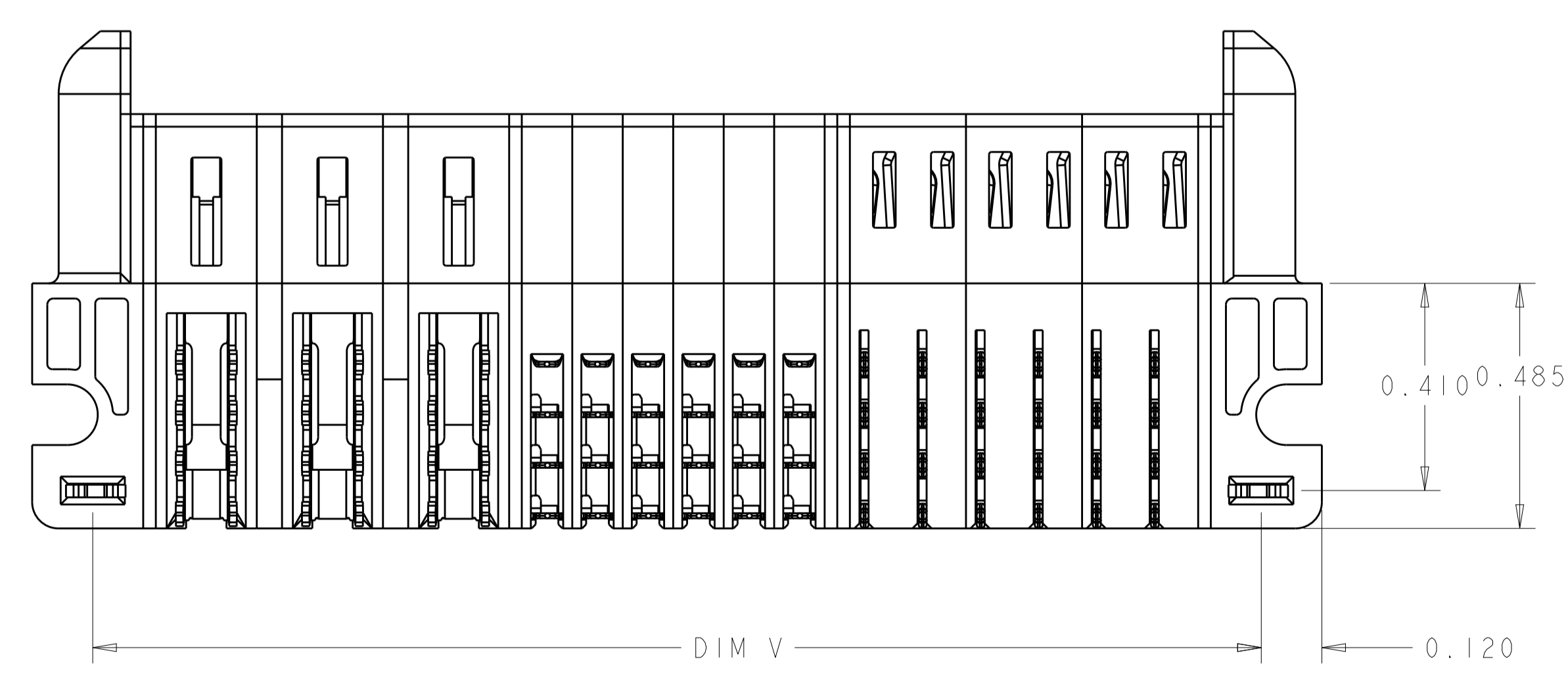
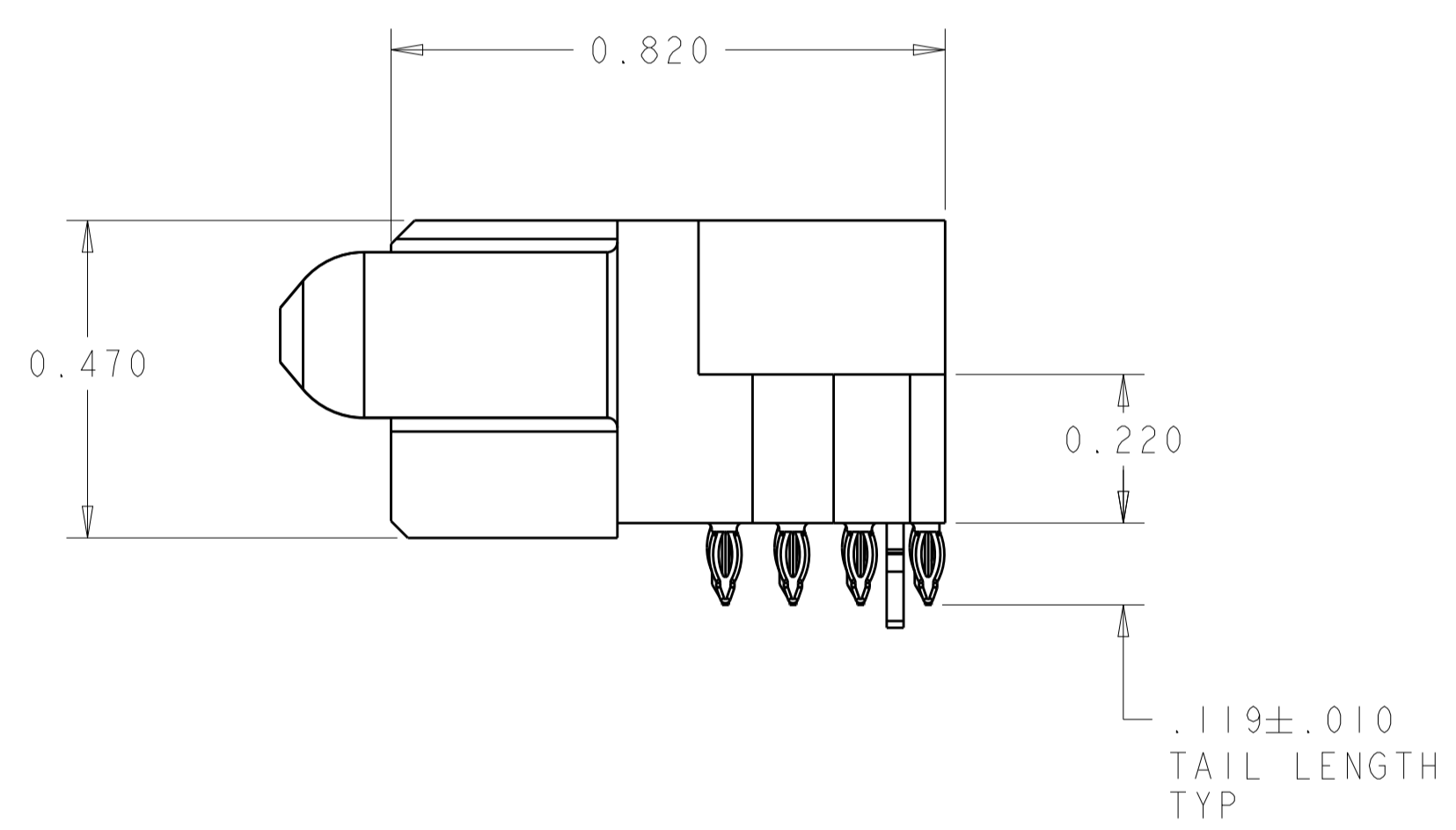
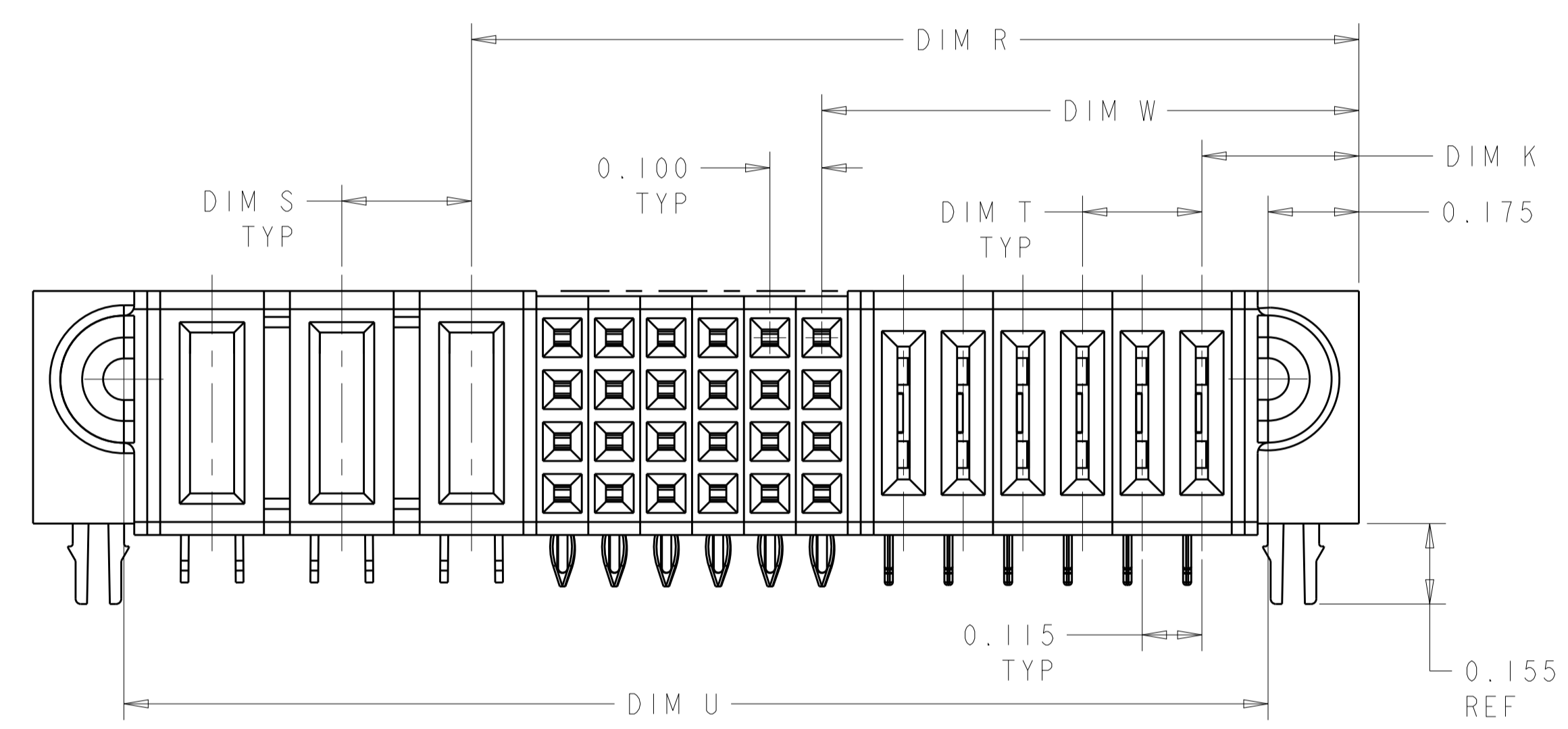


| LOC | DIST | REV | DATE | BY | APPV |
|-----|------|-----|------|----|------|
| ES  | 00   | F5  |      |    |      |
|     |      |     |      |    |      |



- △ "AMP", PART NUMBER, AND DATE CODE TO BE MARKED IN AREA SHOWN PARTS UNDER 2.000 MAY BE MARKED ON BOTH SIDES.
- △ MATERIAL: HOUSING - GLASS FILLED HIGH TEMP THERMO PLASTIC, UL94 V-0  
SIGNAL CONTACT - COPPER ALLOY  
POWER CONTACT - HIGH CONDUCTIVITY COPPER ALLOY
- △ CONTACT PLATING: NOBLE METAL PLATING ON CONTACT FUNCTIONAL AREA OF POWER AND SIGNAL CONTACTS
- △ MECHANICAL CONNECTOR KEEP OUT ZONE
- △ DATUM AND BASIC DIMENSIONS ESTABLISHED BY CUSTOMER
- △ PCB - ALL HOLE DIAMETERS ARE FINISHED HOLE SIZES
- △ PCB - .0453 ±.0010 DRILLED HOLE PLATED WITH .0003 MIN Sn OVER .001-.003 PLATING TO ACHIEVE A .040 HOLE
- △ FOR P/S/P, P/S/LP CONFIGURATION, PLEASE REFER TO SHEET 2
- △ CONTACTS LUBRICATED WITH HMI5 AFTER PLATING.



|       |       |       |       |       |       |        |       |       |                    |             |
|-------|-------|-------|-------|-------|-------|--------|-------|-------|--------------------|-------------|
| .240  | .165  | 1.980 | 2.080 | 1.870 | 2.220 | 1.4225 | .990  | .2775 | 3LP + 16S + 4LP    | 2-6450880-7 |
| .250  | .250  | 1.750 | 1.850 | 1.640 | 1.990 | 1.345  | .845  | .395  | 2P + 16S + 2P      | 2-6450880-6 |
| .230  | .250  | -     | 5.595 | 5.385 | 5.735 | 4.6025 | 3.345 | .370  | 12P + 48S + 12LP   | 2-6450880-3 |
| -     | -     | .880  | .980  | .770  | 1.120 | .8425  | .435  | .2775 | 1LP + 16S + 1LP    | 2-6450880-0 |
| .200  | .200  | 2.350 | 2.450 | 2.240 | 2.590 | 1.670  | 1.095 | .320  | 4HDP + 20S + 4HDP  | 1-6450880-9 |
| .250  | .250  | 3.900 | 4.000 | 3.790 | 4.140 | 2.820  | 1.520 | .320  | 5P + 48S + 5P      | 1-6450880-8 |
| .250  | .250  | 3.300 | 3.400 | 3.190 | 3.540 | 2.195  | 1.520 | .345  | 5P + 24S + 5P      | 1-6450880-7 |
| .250  | .250  | 1.750 | 1.850 | 1.640 | 1.990 | 1.370  | .845  | .370  | 2P + 16S + 2P      | 1-6450880-5 |
| .250  | .250  | 6.000 | 6.100 | 5.890 | 6.240 | 4.145  | 2.270 | .345  | 8P + 72S + 8P      | 1-6450880-1 |
| -     | -     | .600  | .700  | .490  | .840  | -      | .270  | -     | 16S                | 1-6450880-0 |
| .230  | .250  | 5.495 | 5.595 | 5.385 | 5.735 | 4.6025 | 3.345 | .370  | 12P+ 48S+ 8LP      | 6450880-8   |
| .250  | .250  | 4.400 | 4.500 | 4.290 | 4.640 | 2.545  | 2.270 | .345  | 8P + 8S + 8P       | 6450880-7   |
| .230  | -     | 1.190 | 1.290 | 1.080 | 1.430 | -      | 1.060 | .3775 | 6LP + 8S           | 6450880-6   |
| -     | -     | 1.475 | 1.575 | 1.365 | 1.715 | 1.320  | .595  | .370  | 1P + 24S + 1P      | 6450880-5   |
| .230  | .250  | -     | 5.595 | 5.385 | 5.735 | 4.6025 | 3.345 | .370  | 12P+ 48S+ 8LP      | 6450880-4   |
| .300  | .200  | 5.150 | 5.250 | 5.040 | 5.390 | 2.845  | 1.520 | .370  | 4ACP + 48S + 12HDP | 6450880-3   |
| .230  | .250  | 2.315 | 2.415 | 2.205 | 2.555 | 1.710  | 1.035 | .3025 | 6LP + 24S + 3P     | 6450880-1   |
| DIM T | DIM S | DIM V | DIM D | DIM U | DIM L | DIM R  | DIM W | DIM K | DESCRIPTION        | PART NUMBER |

THIS DRAWING IS A CONTROLLED DOCUMENT.

DIMENSIONS: INCHES

TOLERANCES UNLESS OTHERWISE SPECIFIED:

|        |       |
|--------|-------|
| 0 PLC  | ±.01  |
| 1 PLC  | ±.01  |
| 2 PLC  | ±.01  |
| 3 PLC  | ±.005 |
| 4 PLC  | ±.002 |
| ANGLES | ±.002 |

MATERIAL: 2

FINISH: \*

DATE: 25MAY2007

DESIGNED BY: S. ZHAO

CHECKED BY: S. ZHAO

APPROVED BY: S. ZHAO

PRODUCT SPEC: 108-2292

APPLICATION SPEC: 114-13251

WEIGHT: -

CUSTOMER DRAWING

SCALE: 4:1

SHEET 13 OF 13

REV: F5

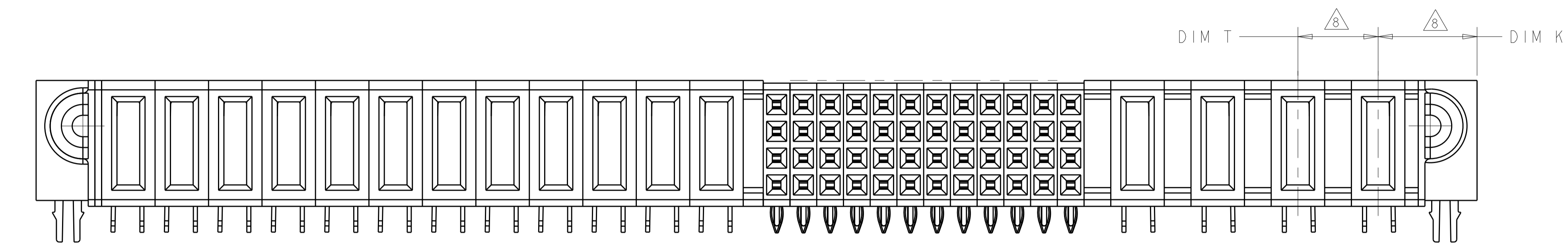
STE TE Connectivity

RIGHT ANGLE RECEPTACLE WITH LP CONTACT AND SHORT END MODULES MULTI-BEAM XLE

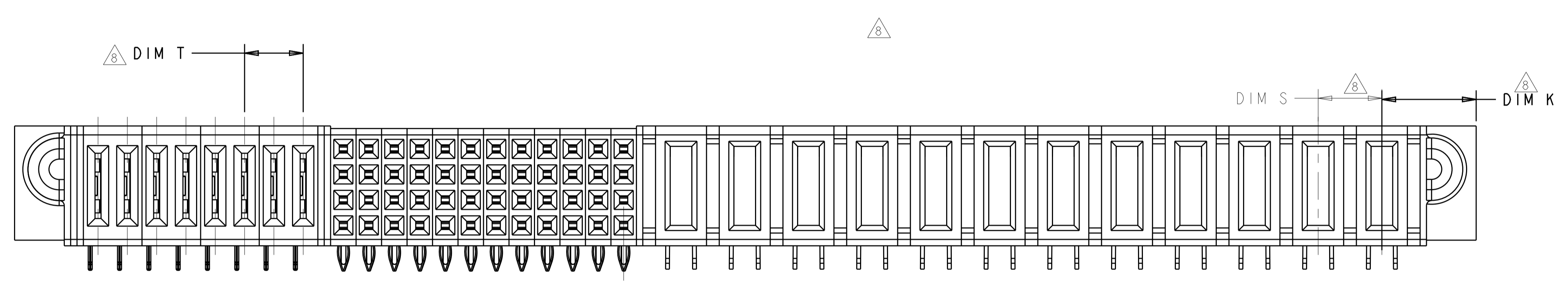
SIZE: A1

CAGE CODE: 6450880

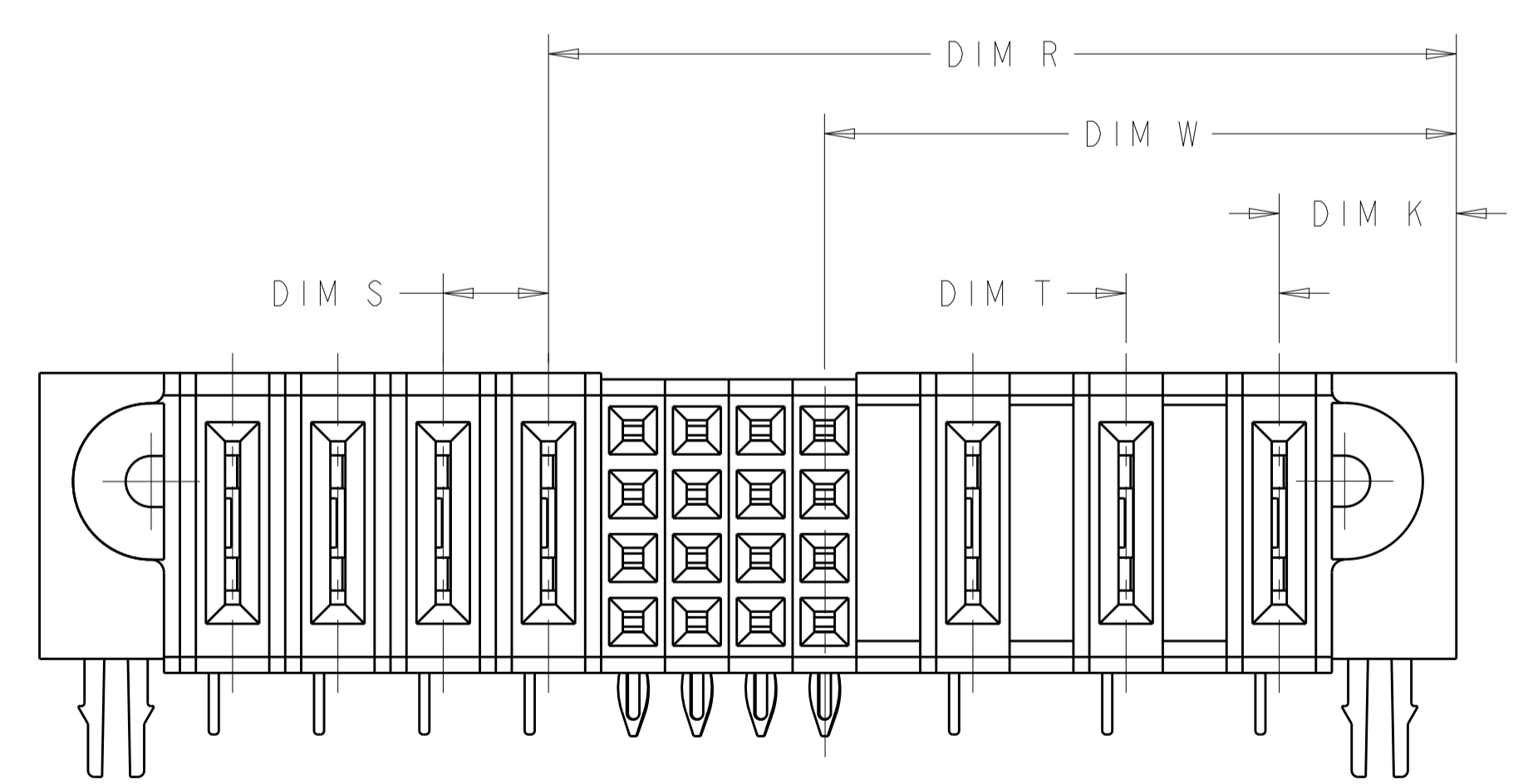
| LOC | DIST | REVISIONS |     |             |      |     |      |
|-----|------|-----------|-----|-------------|------|-----|------|
| ES  | 00   | P         | LTN | DESCRIPTION | DATE | DWN | APVD |
|     |      | -         |     | SEE SHEET 1 |      |     |      |



PART NUMBER 6450880-3  
 UNSPECIFIED DIM REFER TO SHEET 1  
 SCALE 7:2



PART NUMBER 6450880-4, 2-6450880-3  
 UNSPECIFIED DIM REFER TO SHEET 1  
 SCALE 7:2

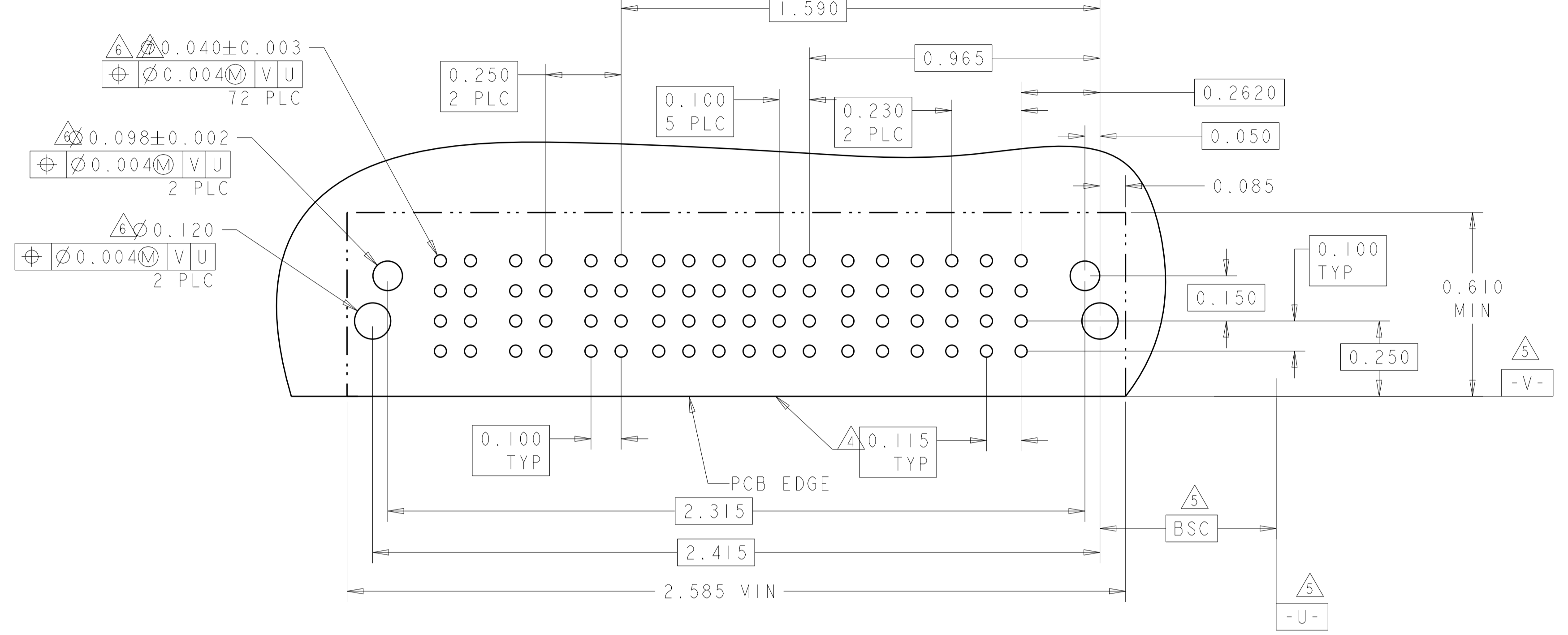


PART NUMBER 2-6450880-0, 2-6450880-7  
 UNSPECIFIED DIM REFER TO SHEET 1  
 FOR CONFIGURATION LP/S/LP

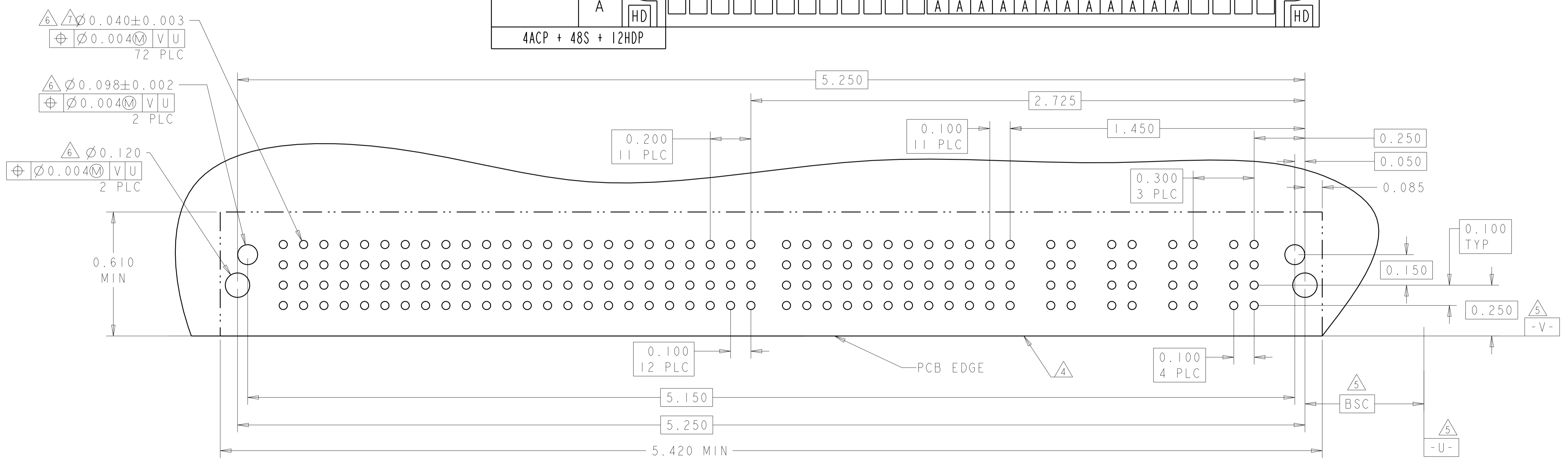
|  |  |   |               |
|--|--|---|---------------|
| THIS DRAWING IS A CONTROLLED DOCUMENT.   |  | DWN S. ZHAO 25MAY2007   |               |
| DIMENSIONS: INCHES   |  | CHK S. ZHAO 25MAY2007   |               |
|  |  | APVD S. ZHAO 25MAY2007  |               |
| TOLERANCES UNLESS OTHERWISE SPECIFIED:<br>0 PLC ±.1<br>1 PLC ±.01<br>2 PLC ±.005<br>3 PLC ±.002<br>4 PLC ±.0020<br>ANGLES ±.2°<br>FINISH |  | NAME RIGHT ANGLE RECEPTACLE WITH LP CONTACT AND SHORT END MODULES MULTI-BEAM XLE<br>PRODUCT SPEC 108-2292<br>APPLICATION SPEC 114-13251<br>WEIGHT<br>CUSTOMER DRAWING |               |
| MATERIAL   |  | SIZE CAGE CODE DRAWING NO. A100779C=6450880   | RESTRICTED TO |
|  |  | SCALE 4:1 SHEET 2 OF 13 REV F5  |               |

| LOC | DIST | REVISIONS   |      |    |      |  |
|-----|------|-------------|------|----|------|--|
| ES  | 00   | REV         | DATE | BY | APPD |  |
| -   | -    | SEE SHEET 1 | -    | -  | -    |  |

| PART NUMBER    | ROWS             | POWER |    |    | SIGNAL |   |   |   |   |   | POWER |     |     |     |     |     |    |   |
|----------------|------------------|-------|----|----|--------|---|---|---|---|---|-------|-----|-----|-----|-----|-----|----|---|
|                |                  | P3    | P2 | P1 | 6      | 5 | 4 | 3 | 2 | 1 | LP6   | LP5 | LP4 | LP3 | LP2 | LP1 |    |   |
| 6450880-1      | D<br>C<br>B<br>A | HD    | RP | RS | RS     | D | D | D | D | D | D     | LS  | LS  | LS  | LS  | LS  | LS |   |
|                |                  |       | C  | C  | C      | C | C | C | C | C | C     | C   | C   | C   | C   | C   | C  |   |
|                |                  |       | B  | B  | B      | B | B | B | B | B | B     | B   | B   | B   | B   | B   | B  | B |
|                |                  |       | A  | A  | A      | A | A | A | A | A | A     | A   | A   | A   | A   | A   | A  | A |
| 6LP + 24S + 3P |                  |       |    |    |        |   |   |   |   |   |       |     |     |     |     |     |    |   |



| PART NUMBER        | ROWS             | POWER |     |     |     |     |     |     |    |    |    |    |    | SIGNAL |    |    |   |   |   |   |   |   |   |   |   | POWER |    |    |    |   |   |
|--------------------|------------------|-------|-----|-----|-----|-----|-----|-----|----|----|----|----|----|--------|----|----|---|---|---|---|---|---|---|---|---|-------|----|----|----|---|---|
|                    |                  | P16   | P15 | P14 | P13 | P12 | P11 | P10 | P9 | P8 | P7 | P6 | P5 | 12     | 11 | 10 | 9 | 8 | 7 | 6 | 5 | 4 | 3 | 2 | 1 | P4    | P3 | P2 | P1 |   |   |
| 6450880-3          | D<br>C<br>B<br>A | HD    | RS  | RS  | RS  | RS  | RS  | RS  | RS | RS | RS | RS | RS | D      | D  | D  | D | D | D | D | D | D | D | D | D | D     | D  | D  | D  | D |   |
|                    |                  |       | C   | C   | C   | C   | C   | C   | C  | C  | C  | C  | C  | C      | C  | C  | C | C | C | C | C | C | C | C | C | C     | C  | C  | C  | C |   |
|                    |                  |       | B   | B   | B   | B   | B   | B   | B  | B  | B  | B  | B  | B      | B  | B  | B | B | B | B | B | B | B | B | B | B     | B  | B  | B  | B | B |
|                    |                  |       | A   | A   | A   | A   | A   | A   | A  | A  | A  | A  | A  | A      | A  | A  | A | A | A | A | A | A | A | A | A | A     | A  | A  | A  | A | A |
| 4ACP + 48S + 12HDP |                  |       |     |     |     |     |     |     |    |    |    |    |    |        |    |    |   |   |   |   |   |   |   |   |   |       |    |    |    |   |   |



|                      |      |
|----------------------|------|
| SIGNAL CONTACT ROW D | D    |
| SIGNAL CONTACT ROW C | C    |
| SIGNAL CONTACT ROW B | B    |
| SIGNAL CONTACT ROW A | A    |
| STD LP CONTACT       | LS   |
| MFBL POWER CONTACT   | RP   |
| STD POWER CONTACT    | RS   |
| DESCRIPTION          | CODE |

THIS DRAWING IS A CONTROLLED DOCUMENT. OWN S. ZHAO 25MAY2007  
 CH S. ZHAO 25MAY2007  
 APVD S. ZHAO 25MAY2007

| DIMENSIONS: | TOLERANCES UNLESS OTHERWISE SPECIFIED: |
|-------------|--|
| INCHES      | 0 PLC ±.1                              |
|             | 1 PLC ±.1                              |
|             | 2 PLC ±.01                             |
|             | 3 PLC ±.005                            |
|             | 4 PLC ±.002                            |
|             | ANGLES ±.020                           |
|             | FINISH #2                              |

MATERIAL: . . . . .  
 FINISH: . . . . .

| PRODUCT SPEC | APPLICATION SPEC | RESTRICTED TO |
|--------------|------------------|---------------|
| 108-2292     | 114-13251        |               |
| APPROVED     | WEIGHT           |               |
|              |                  |               |

NAME: RIGHT ANGLE RECEPTACLE WITH LP CONTACT AND SHORT END MODULES MULTI-BEAM XLE  
 SIZE: A1  
 CAGE CODE: 100779  
 DRAWING NO: 6450880  
 CUSTOMER DRAWING  
 SCALE: 4:1 SHEET 3 OF 13 REV F5

| LOC |    | DIST |     | REVISIONS   |      |     |      |
|-----|----|------|-----|-------------|------|-----|------|
| ES  | 00 | P    | LTN | DESCRIPTION | DATE | OWN | APVD |
|     |    | -    |     | SEE SHEET 1 |      |     |      |

| PART NUMBER | ROWS | POWER |     |     |     |     |     |     |     | SIGNAL |    |    |   |   |   |   |   |   |   |   |   | POWER |     |     |    |    |    |    |    |    |    |    |    |
|-------------|------|-------|-----|-----|-----|-----|-----|-----|-----|--------|----|----|---|---|---|---|---|---|---|---|---|-------|-----|-----|----|----|----|----|----|----|----|----|----|
|             |      | LP8   | LP7 | LP6 | LP5 | LP4 | LP3 | LP2 | LP1 | I2     | I1 | I0 | 9 | 8 | 7 | 6 | 5 | 4 | 3 | 2 | 1 | PI2   | PI1 | PI0 | P9 | P8 | P7 | P6 | P5 | P4 | P3 | P2 | PI |
| 6450880-4   | D    |       |     |     |     |     |     |     |     | D      | D  | D  | D | D | D | D | D | D | D | D | D | RS    | RS  | RS  | RS | RS | RS | RS | RS | RS | RS | RS |    |
|             | C    | LS    | LS  | LS  | LS  | LS  | LS  | LS  | LS  | C      | C  | C  | C | C | C | C | C | C | C | C | C | RS    | RS  | RS  | RS | RS | RS | RS | RS | RS | RS | RS |    |
|             | B    |       |     |     |     |     |     |     |     | B      | B  | B  | B | B | B | B | B | B | B | B | B |       |     |     |    |    |    |    |    |    |    |    |    |
|             | A    |       |     |     |     |     |     |     |     | A      | A  | A  | A | A | A | A | A | A | A | A | A |       |     |     |    |    |    |    |    |    |    |    |    |

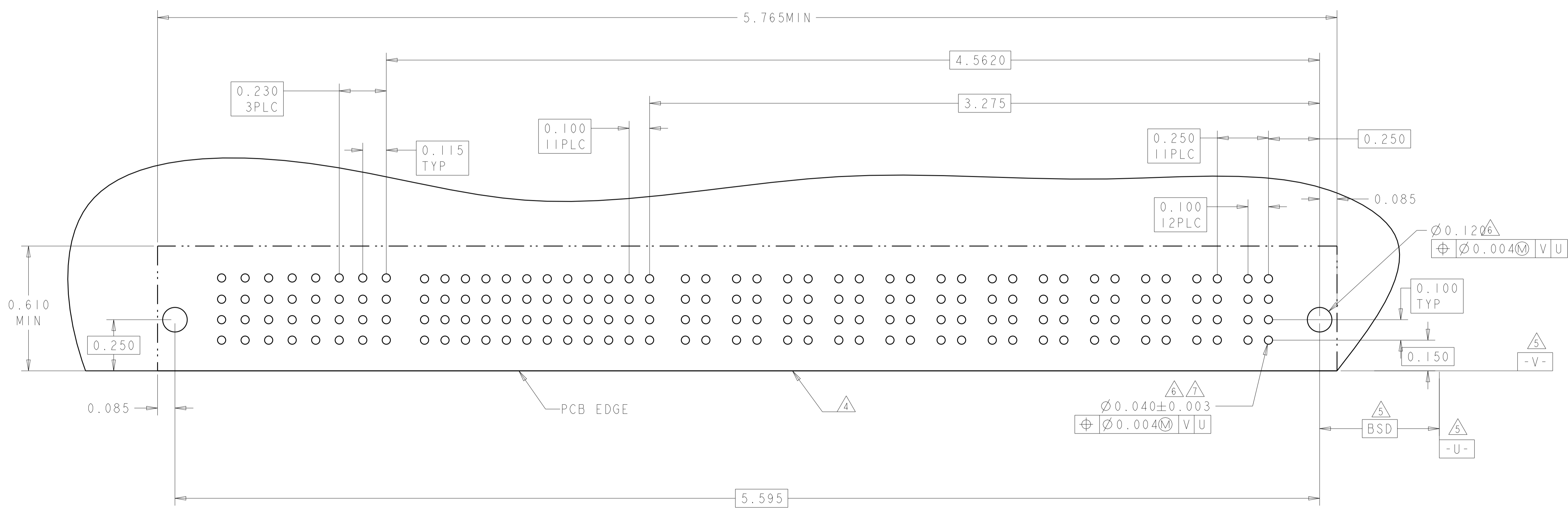
12P + 48S + 8LP

| PART NUMBER | ROWS | POWER |     |     |     |     |     |     |     | SIGNAL |    |    |   |   |   |   |   |   |   |   |   | POWER |     |     |    |    |    |    |    |    |    |    |    |
|-------------|------|-------|-----|-----|-----|-----|-----|-----|-----|--------|----|----|---|---|---|---|---|---|---|---|---|-------|-----|-----|----|----|----|----|----|----|----|----|----|
|             |      | LP8   | LP7 | LP6 | LP5 | LP4 | LP3 | LP2 | LP1 | I2     | I1 | I0 | 9 | 8 | 7 | 6 | 5 | 4 | 3 | 2 | 1 | PI2   | PI1 | PI0 | P9 | P8 | P7 | P6 | P5 | P4 | P3 | P2 | PI |
| 6450880-8   | D    |       |     |     |     |     |     |     |     | D      | D  | D  | D | D | D | D | D | D | D | D | D | RS    | RS  | RS  | RS | RS | RS | RS | RS | RS | RS | RS |    |
|             | C    | LS    | LS  | LS  | LS  | LS  | LS  | LS  | LS  | C      | C  | C  | C | C | C | C | C | C | C | C | C | RS    | RS  | RS  | RS | RS | RS | RS | RS | RS | RS | RS |    |
|             | B    |       |     |     |     |     |     |     |     | B      | B  | B  | B | B | B | B | B | B | B | B | B |       |     |     |    |    |    |    |    |    |    |    |    |
|             | A    |       |     |     |     |     |     |     |     | A      | A  | A  | A | A | A | A | A | A | A | A | A |       |     |     |    |    |    |    |    |    |    |    |    |

12P + 48S + 8LP

| PART NUMBER | ROWS | POWER |     |     |     |     |     |     |     | SIGNAL |    |    |   |   |   |   |   |   |   |   |   | POWER |     |     |    |    |    |    |    |    |    |    |    |
|-------------|------|-------|-----|-----|-----|-----|-----|-----|-----|--------|----|----|---|---|---|---|---|---|---|---|---|-------|-----|-----|----|----|----|----|----|----|----|----|----|
|             |      | LP8   | LP7 | LP6 | LP5 | LP4 | LP3 | LP2 | LP1 | I2     | I1 | I0 | 9 | 8 | 7 | 6 | 5 | 4 | 3 | 2 | 1 | PI2   | PI1 | PI0 | P9 | P8 | P7 | P6 | P5 | P4 | P3 | P2 | PI |
| 2-6450880-3 | D    |       |     |     |     |     |     |     |     | D      | D  | D  | D | D | D | D | D | D | D | D | D | RS    | RS  | RS  | RS | RS | RS | RS | RS | RS | RS | RS |    |
|             | C    | LS    | LS  | LS  | LS  | LS  | LS  | LS  | LS  | C      | C  | C  | C | C | C | C | C | C | C | C | C | RS    | RS  | RS  | RS | RS | RS | RS | RS | RS | RS | RS |    |
|             | B    |       |     |     |     |     |     |     |     | B      | B  | B  | B | B | B | B | B | B | B | B | B |       |     |     |    |    |    |    |    |    |    |    |    |
|             | A    |       |     |     |     |     |     |     |     | A      | A  | A  | A | A | A | A | A | A | A | A | A |       |     |     |    |    |    |    |    |    |    |    |    |

12P + 48S + 8LP



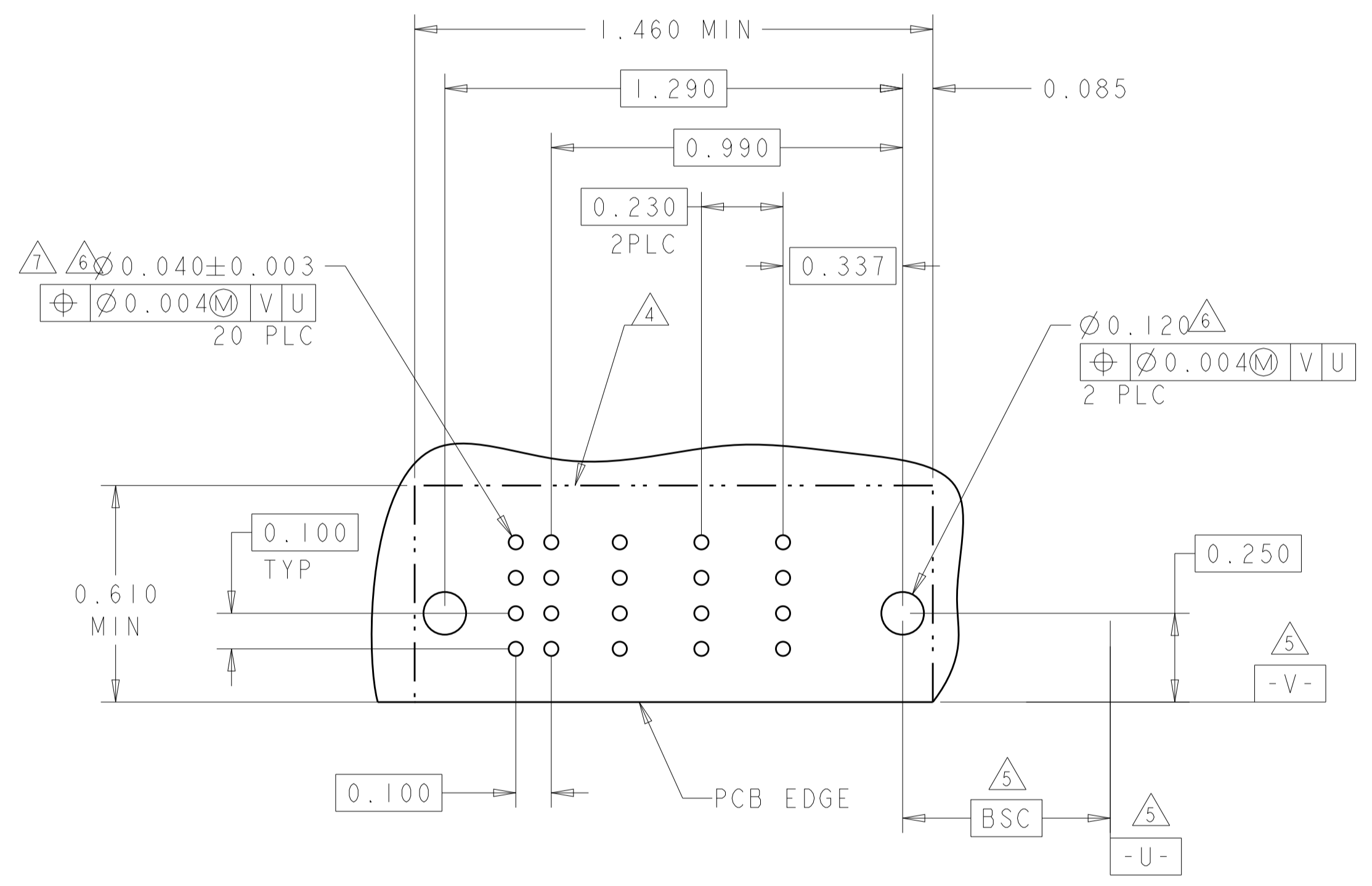
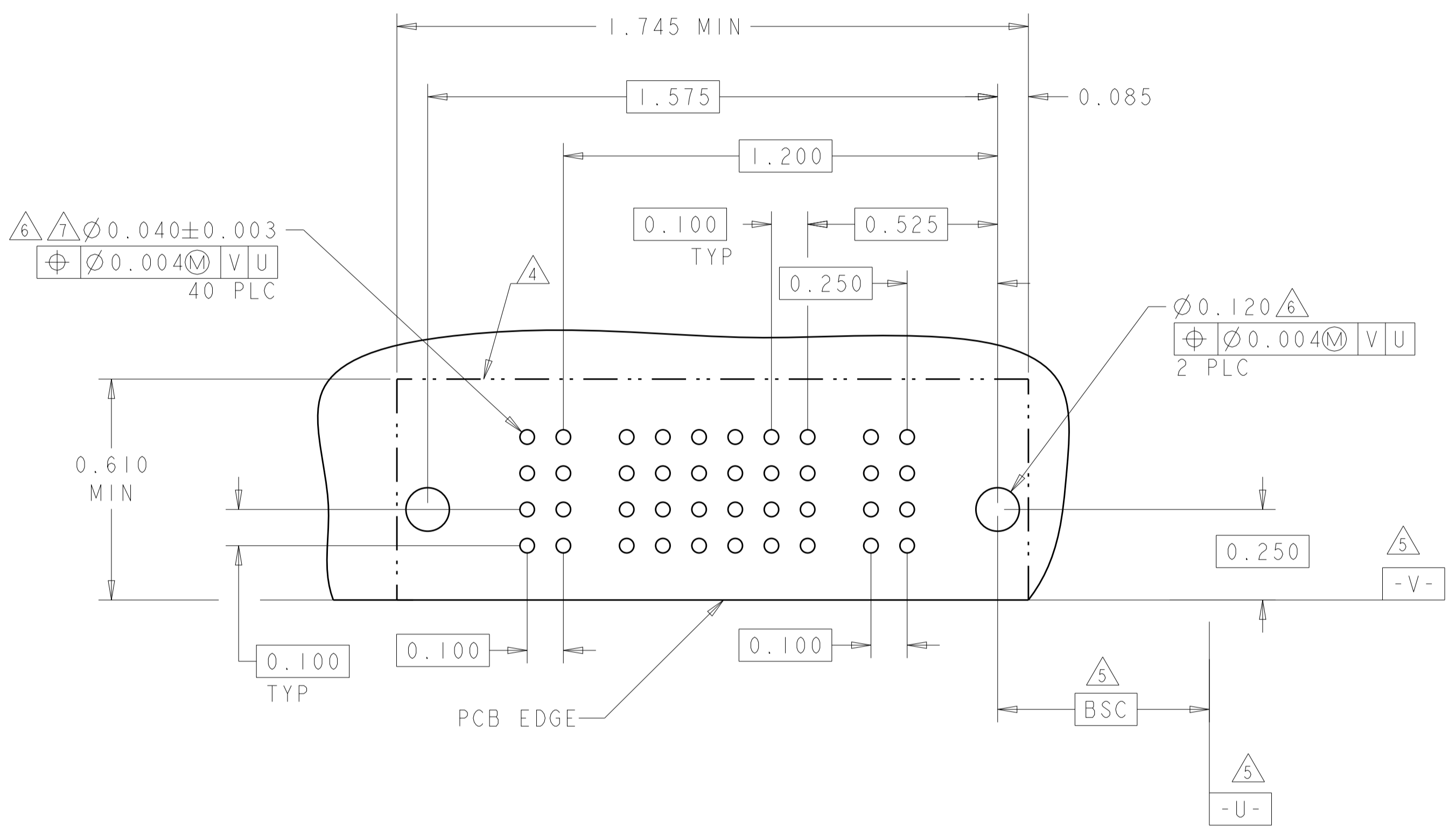
PCB LAYOUT FOR P/N: 6450880-4 ; 6450880-8 AND 2-6450880-3

|   |  |  |   |
|---|--|--|---|
| THIS DRAWING IS A CONTROLLED DOCUMENT.  |  | OWN: S. ZHAO 25MAY2007   | TE Connectivity   |
| DIMENSIONS: INCHES  |  | CHK: S. ZHAO 25MAY2007   |   |
| TOLERANCES UNLESS OTHERWISE SPECIFIED:  |  | APVD: S. ZHAO 25MAY2007  | NAME: RIGHT ANGLE RECEPTACLE WITH LP CONTACT AND SHORT END MODULES MULTI-BEAM XLE |
| 0 PLC ±.1<br>1 PLC ±.01<br>2 PLC ±.01<br>3 PLC ±.005<br>4 PLC ±.002<br>ANGLES ±.020<br>FINISH |  | PRODUCT SPEC: 108-2292<br>APPLICATION SPEC: 114-13251<br>WEIGHT: | SIZE: A1<br>CAGE CODE: 00779<br>DRAWING NO: 6450880                               |
| MATERIAL:   |  | CUSTOMER DRAWING   | RESTRICTED TO: -  |
|   |  | SCALE: 4:1   | SHEET 4 OF 13 REV: F5   |

| LOC |     | DIST        |      | REVISIONS |      |  |  |
|-----|-----|-------------|------|-----------|------|--|--|
| P   | LTN | DESCRIPTION | DATE | DMN       | APVD |  |  |
| -   | -   | SEE SHEET 1 | -    | -         | -    |  |  |

| PART NUMBER   | ROWS | POWER |    | SIGNAL |   |   |   |   |   | POWER |    |    |
|---------------|------|-------|----|--------|---|---|---|---|---|-------|----|----|
|               |      | P2    | P1 | 6      | 5 | 4 | 3 | 2 | 1 | P2    | P1 |    |
| 6450880-5     | D    | RS    | RS | D      | D | D | D | D | D | D     | RS | RS |
|               | C    |       |    | C      | C | C | C | C |   |       |    |    |
|               | B    |       |    | B      | B | B | B | B |   |       |    |    |
|               | A    |       |    | A      | A | A | A | A |   |       |    |    |
| IP + 24S + IP |      |       |    |        |   |   |   |   |   |       |    |    |

| PART NUMBER | ROWS | SIGNAL |   | POWER |     |     |     |     |     |
|-------------|------|--------|---|-------|-----|-----|-----|-----|-----|
|             |      | 2      | 1 | LP6   | LP5 | LP4 | LP3 | LP2 | LPI |
| 6450880-6   | D    | D      | D | LS    | LS  | LS  | LS  | LS  | LS  |
|             | C    | C      |   |       |     |     |     |     |     |
|             | B    | B      |   |       |     |     |     |     |     |
|             | A    | A      |   |       |     |     |     |     |     |
| 6LP + 8S    |      |        |   |       |     |     |     |     |     |



THIS DRAWING IS A CONTROLLED DOCUMENT.

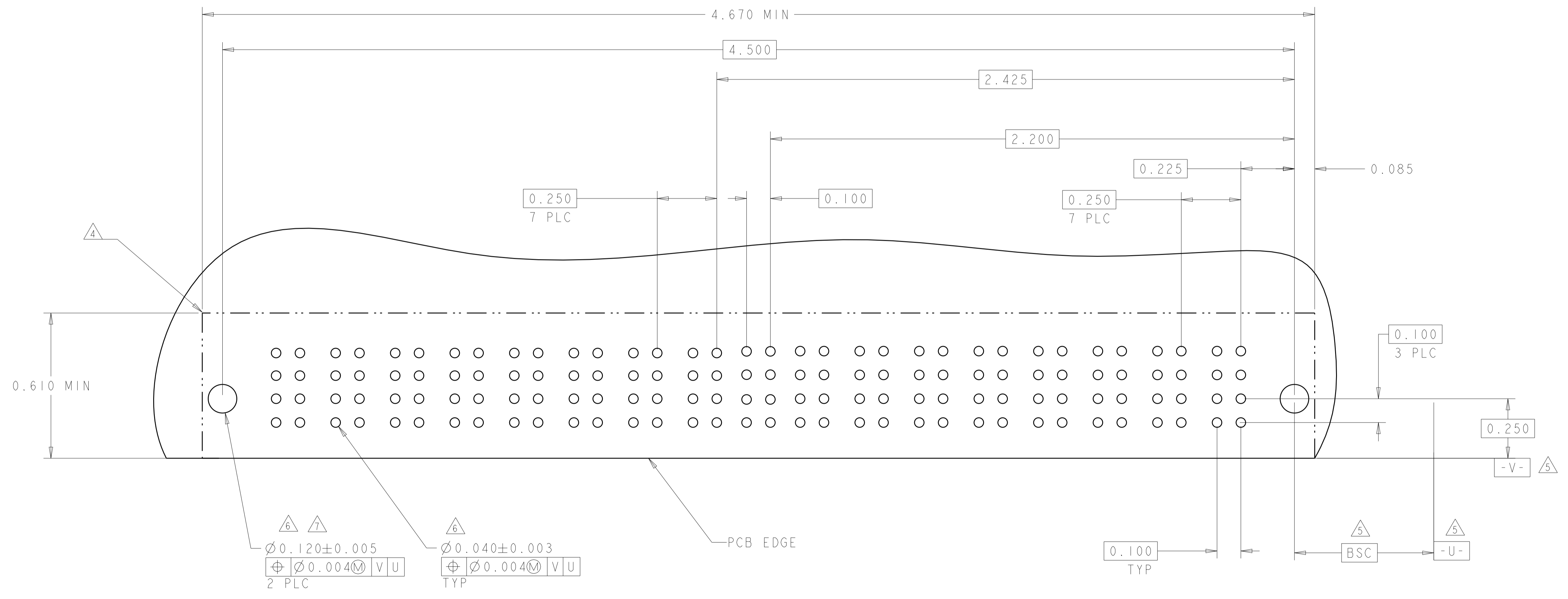
|                       |   |        |  |   |               |
|-----------------------|---|--------|--|---|---------------|
| DIMENSIONS:<br>INCHES | TOLERANCES UNLESS OTHERWISE SPECIFIED:<br>0 PLC ±.1<br>2 PLC ±.01<br>5 PLC ±.005<br>4 PLC ±.0020<br>ANGLES ±.2° | FINISH | DMN S. ZHAO 25MAY2007<br>CHK S. ZHAO 25MAY2007<br>APVD S. ZHAO 25MAY2007 | NAME<br>RIGHT ANGLE RECEPTACLE WITH LP CONTACT AND SHORT END MODULES MULTI-BEAM XLE | RESTRICTED TO |
| MATERIAL              | FINISH  | WEIGHT | PRODUCT SPEC 108-2292<br>APPLICATION SPEC 114-13251                      | SIZE CAGE CODE DRAWING NO<br>A100779C=6450880                                       |               |
| CUSTOMER DRAWING      |   |        | SCALE 4:1  | SHEET 5 OF 13   | REV F5        |

4805 (3/11)

| LOC |    | DIST |     | REVISIONS   |      |     |      |
|-----|----|------|-----|-------------|------|-----|------|
| ES  | 00 | P    | LTH | DESCRIPTION | DATE | DMN | APVD |
|     |    | -    |     | SEE SHEET 1 |      |     |      |

| PART NUMBER  | ROWS             | POWER |     |     |     |     |     |     |    |    | SIGNAL |    | POWER |    |    |    |    |    |    |    |  |
|--------------|------------------|-------|-----|-----|-----|-----|-----|-----|----|----|--------|----|-------|----|----|----|----|----|----|----|--|
|              |                  | P16   | P15 | P14 | P13 | P12 | P11 | P10 | P9 | 2  | 1      | P8 | P7    | P6 | P5 | P4 | P3 | P2 | P1 |    |  |
| 6450880-7    | D<br>C<br>B<br>A | RS    | RS  | RS  | RS  | RS  | RS  | RS  | RS | RS | D      | D  | RS    | RS | RS | RS | RS | RS | RS | RS |  |
|              |                  |       |     |     |     |     |     |     |    |    | C      | C  |       |    |    |    |    |    |    |    |  |
|              |                  |       |     |     |     |     |     |     |    |    |        | B  | B     |    |    |    |    |    |    |    |  |
|              |                  |       |     |     |     |     |     |     |    |    |        | A  | A     |    |    |    |    |    |    |    |  |
| 8P + 8S + 8P |                  |       |     |     |     |     |     |     |    |    |        |    |       |    |    |    |    |    |    |    |  |

DI



THIS DRAWING IS A CONTROLLED DOCUMENT.

|  |           |  |
|--|-----------|--|
| DWNS: S. ZHAO  | 25MAY2007 | TE Connectivity<br>NAME: RIGHT ANGLE RECEPTACLE WITH LP CONTACT AND SHORT END MODULES MULTI-BEAM XLE<br>SIZE: A1<br>CAGE CODE: 100779<br>DRAWING NO: C=6450880<br>RESTRICTED TO: - |
| CHK: S. ZHAO   | 25MAY2007 |  |
| APVD: S. ZHAO  | 25MAY2007 |  |
| DIMENSIONS: INCHES<br>TOLERANCES UNLESS OTHERWISE SPECIFIED:<br>0 PLC ±.1<br>1 PLC ±.01<br>2 PLC ±.01<br>3 PLC ±.005<br>4 PLC ±.002<br>ANGLES ±.020<br>FINISH: - |           |  |

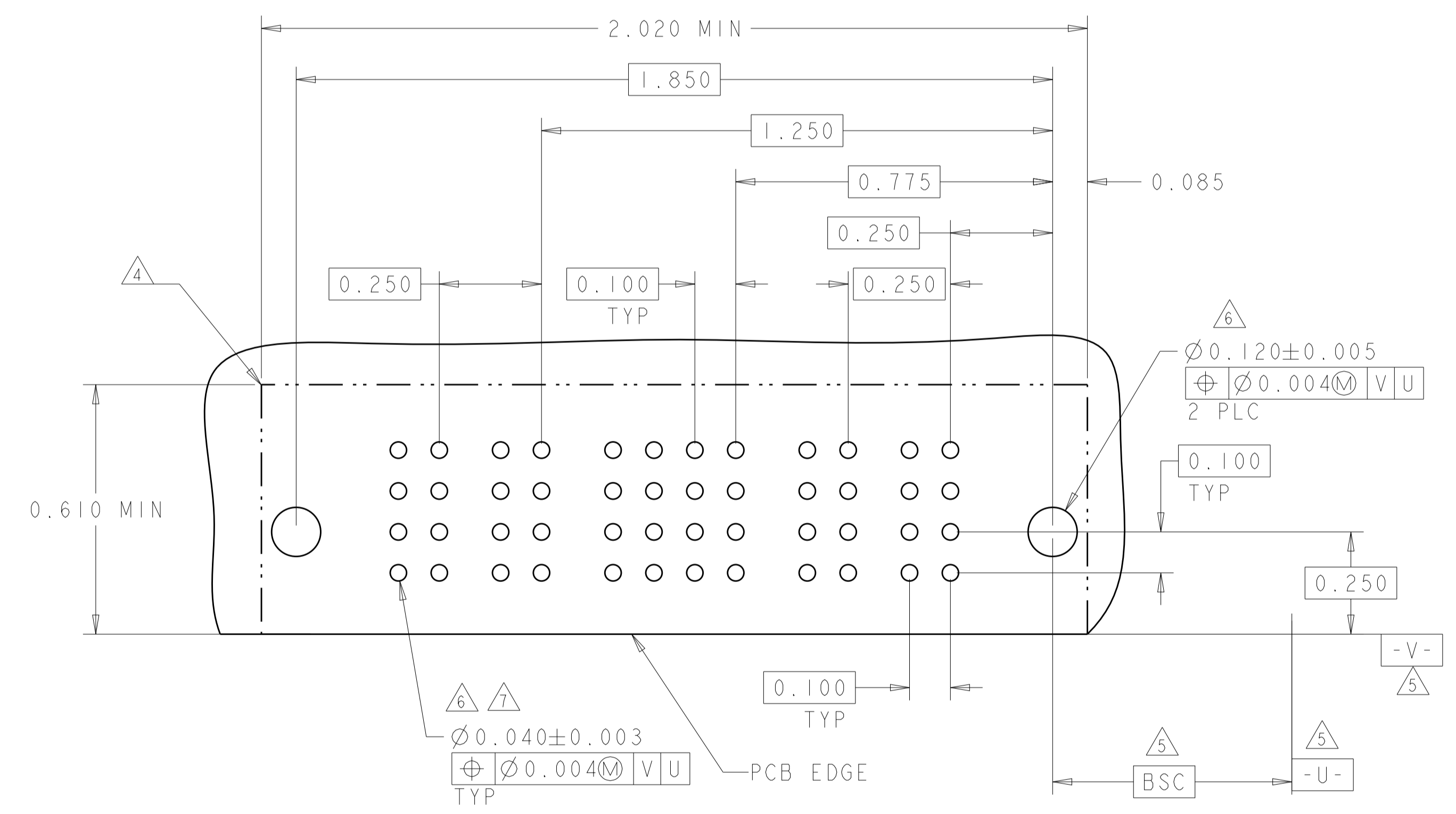
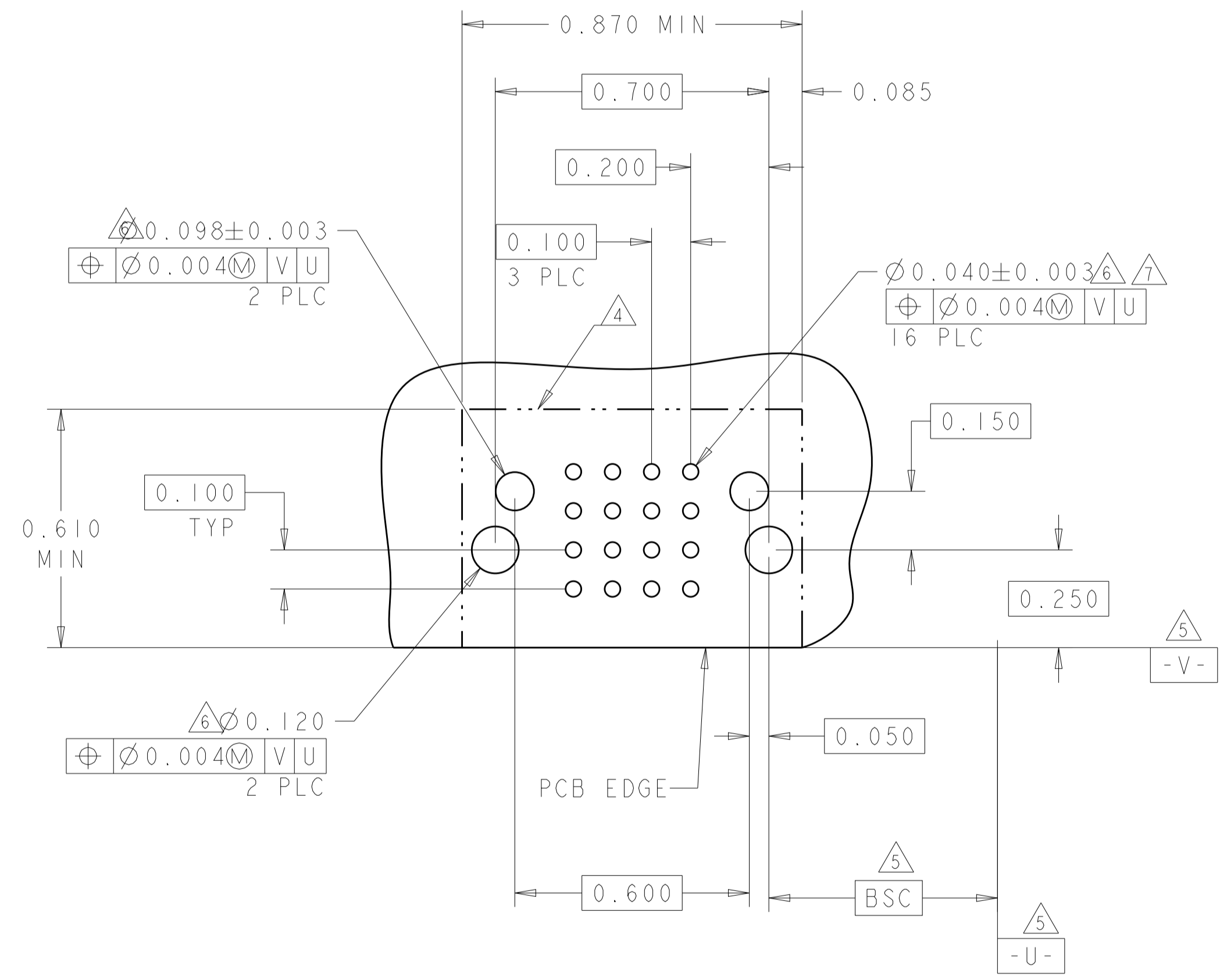
|                        |                             |           |
|------------------------|-----------------------------|-----------|
| PRODUCT SPEC: 108-2292 | APPLICATION SPEC: 114-13251 | WEIGHT: - |
| CUSTOMER DRAWING       |                             |           |

SCALE: 4:1 SHEET 6 OF 13 REV: F5

| LOC | DIST | REVISIONS   |      |     |      |
|-----|------|-------------|------|-----|------|
| P   | LTH  | DESCRIPTION | DATE | DNM | APVD |
| -   | -    | SEE SHEET 1 | -    | -   | -    |
|     |      |             |      |     |      |
|     |      |             |      |     |      |

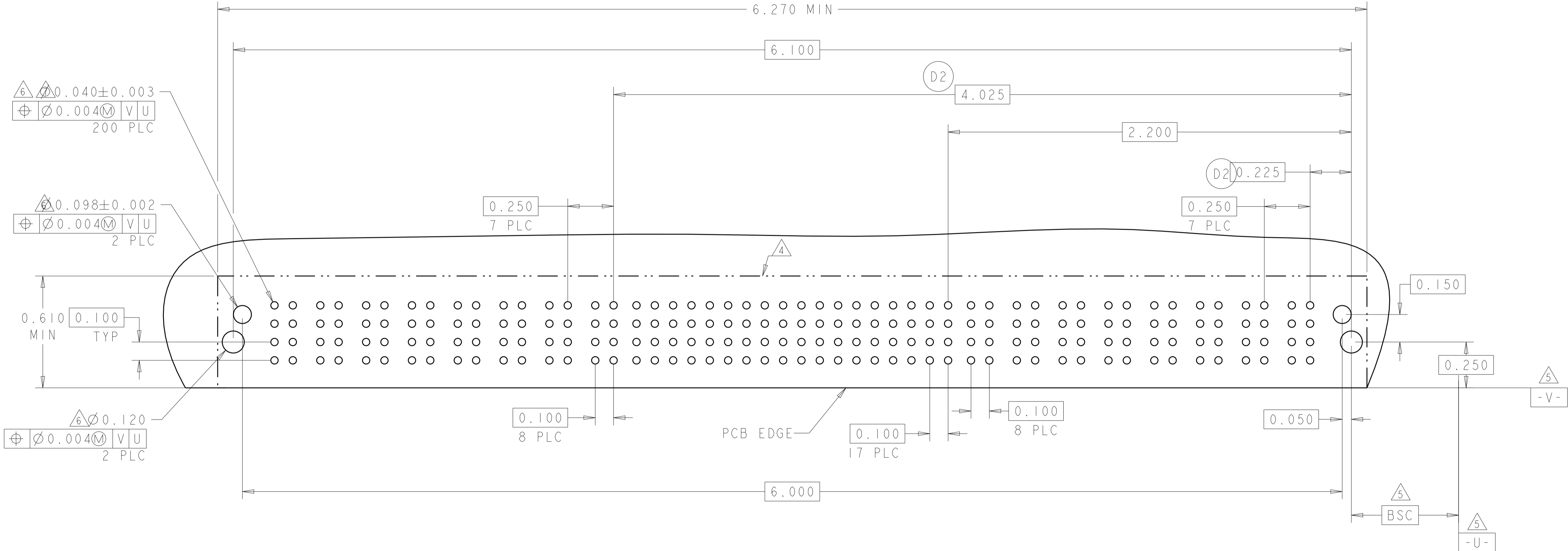
| PART NUMBER | ROWS | SIGNAL |   |   |    |
|-------------|------|--------|---|---|----|
|             |      | 4      | 3 | 2 | 1  |
| I-6450880-0 | D    | D      | D | D | D  |
|             | C    | C      | C | C | C  |
|             | B    | B      | B | B | B  |
|             | A    | A      | A | A | A  |
| 16S         |      | HD     |   |   | HD |

| PART NUMBER   | ROWS | POWER |    | SIGNAL |   |   |   | POWER |    |
|---------------|------|-------|----|--------|---|---|---|-------|----|
|               |      | P4    | P3 | 4      | 3 | 2 | 1 | P2    | P1 |
| I-6450880-5   | D    | RS    | RS | D      | D | D | D | RS    | RS |
|               | C    |       |    | C      | C | C |   |       |    |
|               | B    |       |    | B      | B | B |   |       |    |
|               | A    |       |    | A      | A | A |   |       |    |
| 2P + 16S + 2P |      |       |    |        |   |   |   |       |    |



|  |  |                        |  |                 |
|--|--|------------------------|--|-----------------|
| THIS DRAWING IS A CONTROLLED DOCUMENT. |  | DNM S. ZHAO 25MAY2007  |  | TE Connectivity |
| DIMENSIONS: INCHES                     |  | CHK S. ZHAO 25MAY2007  |  |                 |
| TOLERANCES UNLESS OTHERWISE SPECIFIED: |  | APVD S. ZHAO 25MAY2007 | NAME RIGHT ANGLE RECEPTACLE WITH LP CONTACT AND SHORT END MODULES MULTI-BEAM XLE |                 |
| 0 PLC ±.1                              |  | PRODUCT SPEC 108-2292  | SIZE CAGE CODE DRAWING NO. A100779C=6450880                                      |                 |
| 1 PLC ±.01                             |  | APPLICATION SPEC       | RESTRICTED TO  |                 |
| 2 PLC ±.005                            |  | 114-13251              | SCALE 4:1 SHEET 7 OF 13 REV F5   |                 |
| 3 PLC ±.0020                           |  | WEIGHT                 | CUSTOMER DRAWING   |                 |
| ANGLES ±.7°                            |  | FINISH                 |  |                 |

| PART NUMBER   | ROWS | POWER |     |     |     |     |     |     | SIGNAL |    |    |    |    |    |    |    |    |    |   |    |   |    |   |    |   | POWER |   |    |    |    |    |    |    |    |    |    |   |   |   |   |   |
|---------------|------|-------|-----|-----|-----|-----|-----|-----|--------|----|----|----|----|----|----|----|----|----|---|----|---|----|---|----|---|-------|---|----|----|----|----|----|----|----|----|----|---|---|---|---|---|
|               |      | P16   | P15 | P14 | P13 | P12 | P11 | P10 | P9     | 18 | 17 | 16 | 15 | 14 | 13 | 12 | 11 | 10 | 9 | 8  | 7 | 6  | 5 | 4  | 3 | 2     | 1 | P8 | P7 | P6 | P5 | P4 | P3 | P2 | P1 |    |   |   |   |   |   |
| I-6450880-1   | D    | RP    | RS  | RS  | RS  | RS  | RS  | RS  | D      | D  | D  | D  | D  | D  | D  | D  | D  | D  | D | D  | D | D  | D | D  | D | D     | D | D  | D  | D  | D  | D  | D  | D  | D  |    |   |   |   |   |   |
|               | C    |       |     |     |     |     |     |     | C      | C  | C  | C  | C  | C  | C  | C  | C  | C  | C | C  | C | C  | C | C  | C | C     | C | C  | C  | C  | C  | C  | C  | C  | C  | C  | C | C | C | C |   |
|               | B    |       |     |     |     |     |     |     | B      | B  | B  | B  | B  | B  | B  | B  | B  | B  | B | B  | B | B  | B | B  | B | B     | B | B  | B  | B  | B  | B  | B  | B  | B  | B  | B | B | B | B | B |
|               | A    |       |     |     |     |     |     |     | A      | A  | A  | A  | A  | A  | A  | A  | A  | A  | A | A  | A | A  | A | A  | A | A     | A | A  | A  | A  | A  | A  | A  | A  | A  | A  | A | A | A | A | A |
| 8P + 72S + 8P |      | HD    |     | HD  |     | HD  |     | HD  |        | HD |    | HD |    | HD |    | HD |    | HD |   | HD |   | HD |   | HD |   | HD    |   | HD |    | HD |    | HD |    | HD |    | HD |   |   |   |   |   |



THIS DRAWING IS A CONTROLLED DOCUMENT. DWN: S. ZHAO 25MAY2007  
 CHK: S. ZHAO 25MAY2007  
 APVD: S. ZHAO 25MAY2007

**TE** TE Connectivity

PRODUCT SPEC: 108-2292  
 APPLICATION SPEC: 114-13251

NAME: RIGHT ANGLE RECEPTACLE WITH LP CONTACT AND SHORT END MODULES MULTI-BEAM XLE  
 SIZE: A1 00779 C=6450880  
 WEIGHT: -

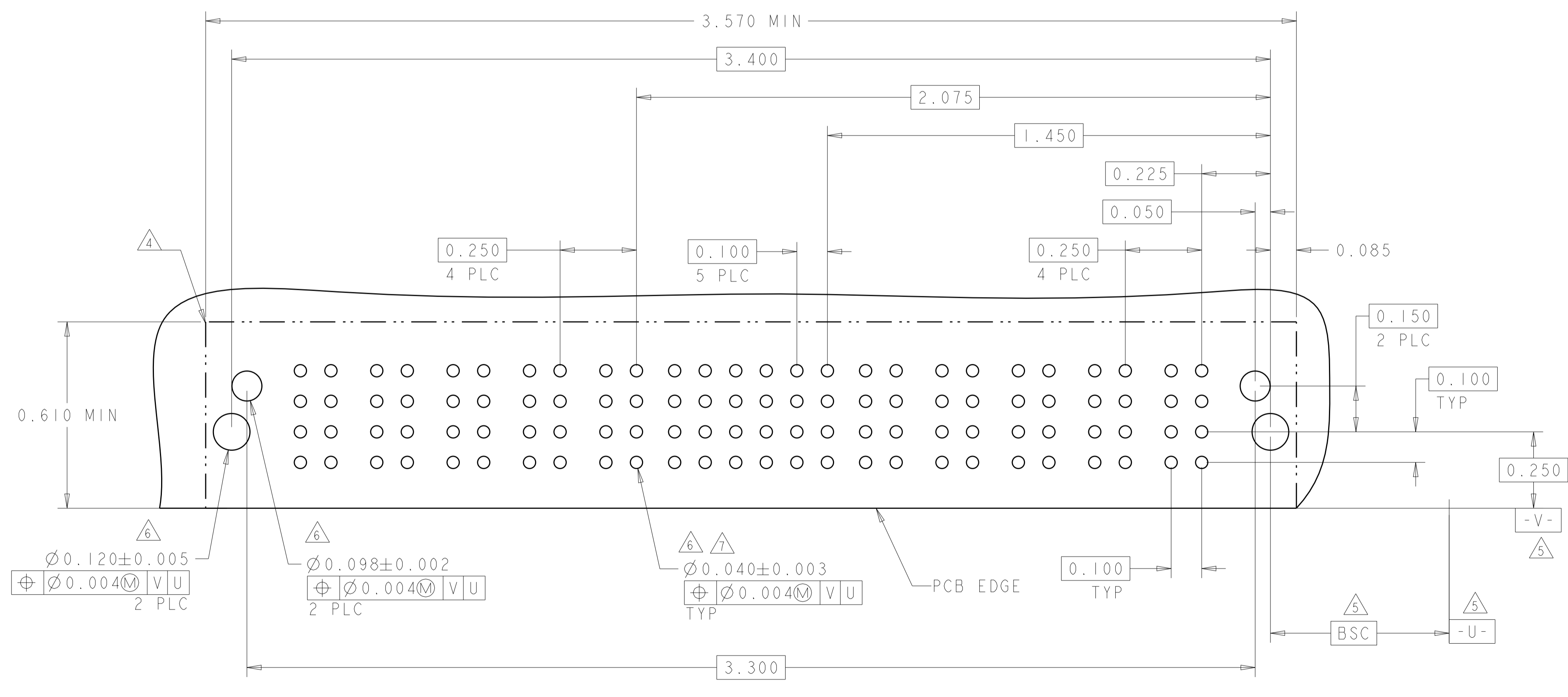
MATERIAL: - FINISH: -

CUSTOMER DRAWING SCALE: 4:1 SHEET: 8 OF 13 REV: F5



| LOC |    | DIST |     | REVISIONS   |      |     |      |
|-----|----|------|-----|-------------|------|-----|------|
| ES  | 00 | P    | LTH | DESCRIPTION | DATE | OWN | APVD |
| -   | -  | -    | -   | SEE SHEET 1 | -    | -   | -    |
|     |    |      |     |             |      |     |      |
|     |    |      |     |             |      |     |      |

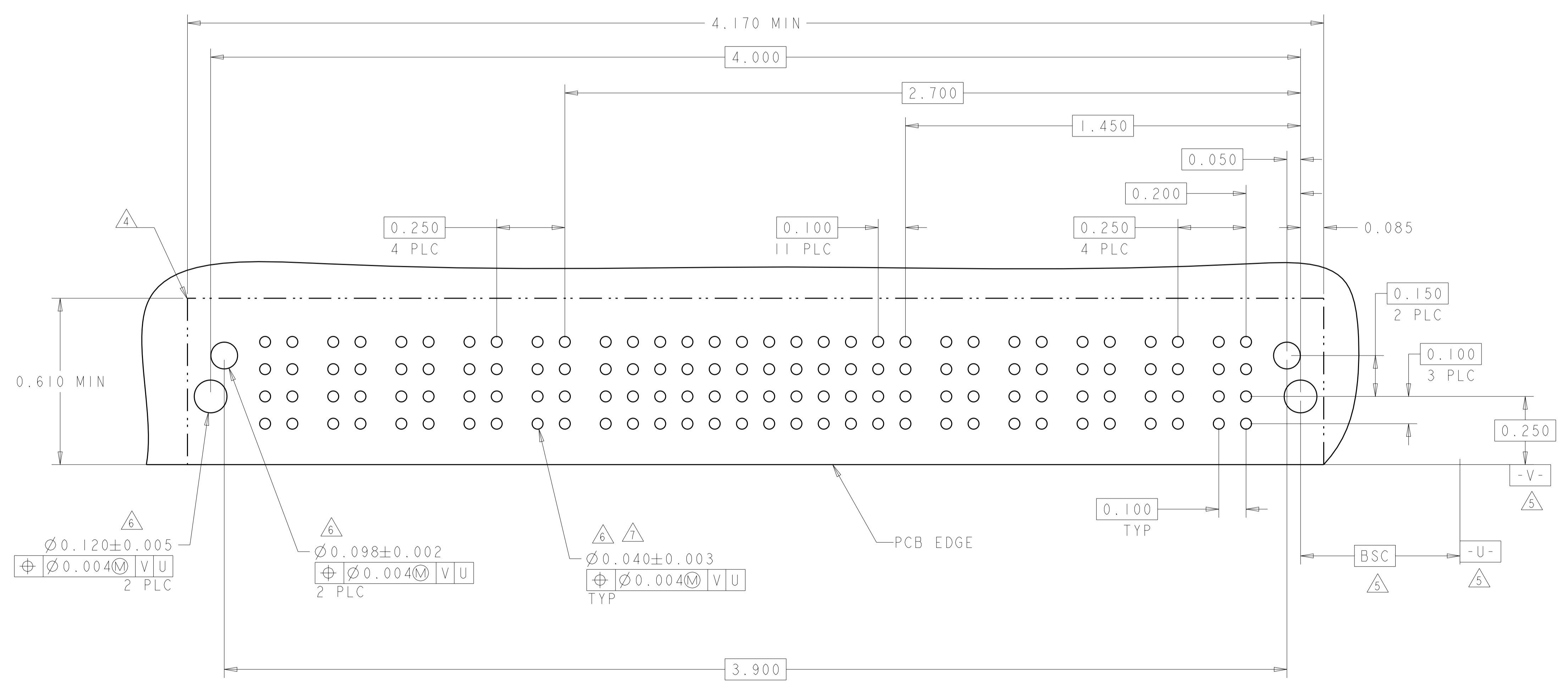
| PART NUMBER   | ROWS | POWER |    |    |    |    | SIGNAL |   |   |   |   |   | POWER |    |    |    |    |
|---------------|------|-------|----|----|----|----|--------|---|---|---|---|---|-------|----|----|----|----|
|               |      | P10   | P9 | P8 | P7 | P6 | 6      | 5 | 4 | 3 | 2 | 1 | P5    | P4 | P3 | P2 | P1 |
| 1-6450880-7   | D    | RS    | RS | RS | RS | RS | D      | D | D | D | D | D | RS    | RS | RS | RS | RS |
|               | C    |       |    |    |    |    | C      | C | C | C | C |   |       |    |    |    |    |
|               | B    |       |    |    |    |    | B      | B | B | B | B |   |       |    |    |    |    |
|               | A    |       |    |    |    |    | A      | A | A | A | A |   |       |    |    |    |    |
| 5P + 24S + 5P |      | HD    |    |    |    |    |        |   |   |   |   |   |       |    |    |    |    |



|  |        |                           |   |
|--|--------|---------------------------|---|
| THIS DRAWING IS A CONTROLLED DOCUMENT. |        | OWN S. ZHAO 25MAY2007     |   |
| DIMENSIONS: INCHES                     |        | CHK S. ZHAO 25MAY2007     |   |
| TOLERANCES UNLESS OTHERWISE SPECIFIED: |        | APVD S. ZHAO 25MAY2007    | NAME  |
| 0 PLC ±.1                              |        | PRODUCT SPEC              | RIGHT ANGLE RECEPTACLE WITH LP CONTACT AND SHORT END MODULES MULTI-BEAM XLE |
| 2 PLC ±.01                             |        | APPLICATION SPEC          |   |
| 4 PLC ±.005                            |        | SIZE CAGE CODE DRAWING NO | A100779C=6450880  |
| 5 PLC ±.002                            |        | RESTRICTED TO             |   |
| ANGLES ±.0020                          | FINISH | WEIGHT                    |   |
| MATERIAL                               |        | CUSTOMER DRAWING          | SCALE 4:1 SHEET 9 OF 13 REV F5  |

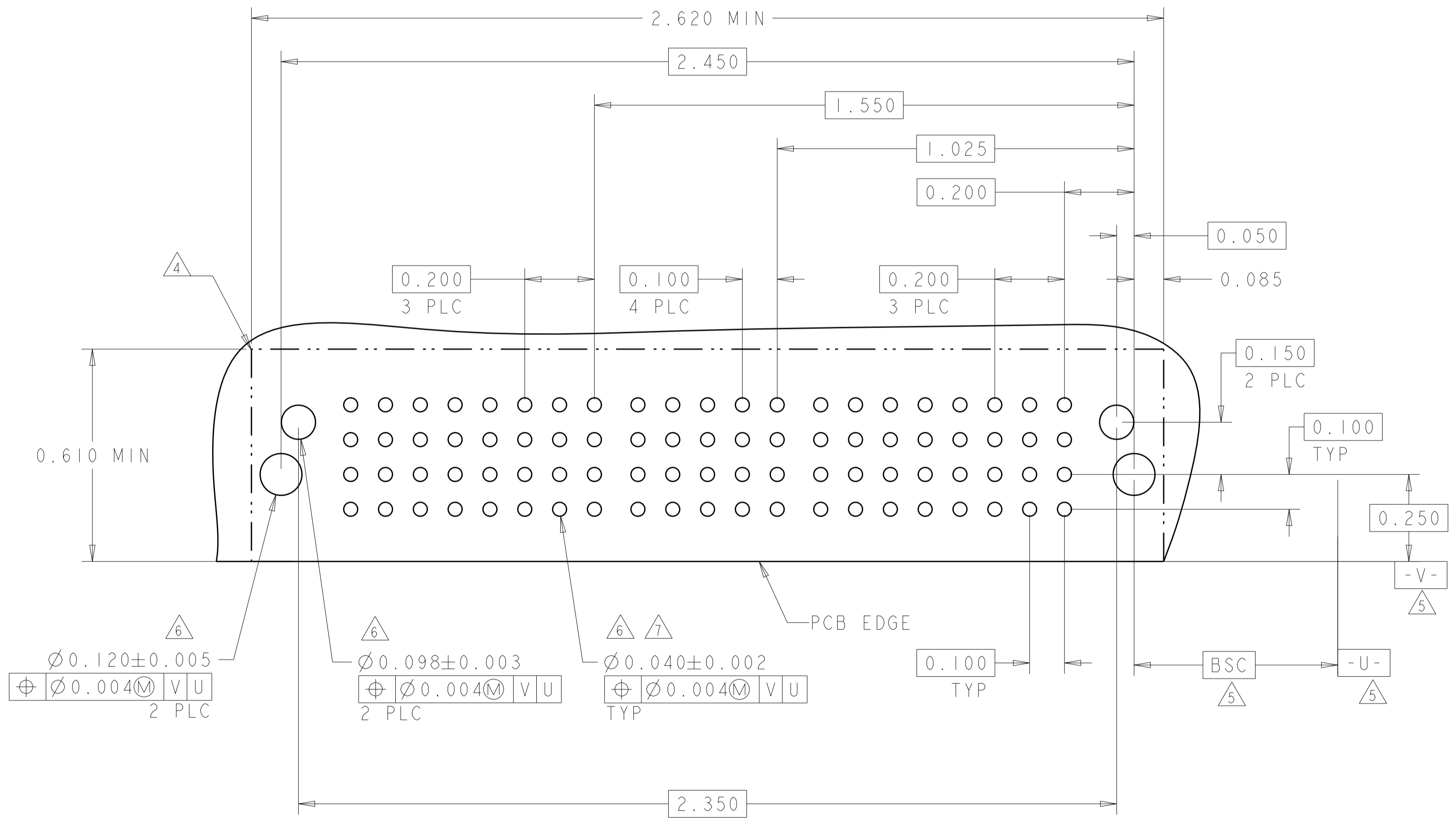
| LOC |    | DIST |     | REVISIONS   |      |     |      |
|-----|----|------|-----|-------------|------|-----|------|
| ES  | 00 | P    | LTN | DESCRIPTION | DATE | DWN | APVD |
|     |    | -    |     | SEE SHEET 1 |      |     |      |

| PART NUMBER   | ROWS             | POWER |    |    |    |    | SIGNAL |    |    |   |   |   |   |   |   |   | POWER |   |    |    |    |    |    |    |   |   |   |
|---------------|------------------|-------|----|----|----|----|--------|----|----|---|---|---|---|---|---|---|-------|---|----|----|----|----|----|----|---|---|---|
|               |                  | P10   | P9 | P8 | P7 | P6 | 12     | 11 | 10 | 9 | 8 | 7 | 6 | 5 | 4 | 3 | 2     | 1 | P5 | P4 | P3 | P2 | P1 |    |   |   |   |
| I-6450880-8   | D<br>C<br>B<br>A | RS    | RS | RS | RS | RS | D      | D  | D  | D | D | D | D | D | D | D | D     | D | D  | RS | RS | RS | RS | RS |   |   |   |
|               |                  |       |    |    |    |    | C      | C  | C  | C | C | C | C | C | C | C | C     | C | C  |    |    |    |    |    | C | C |   |
|               |                  |       |    |    |    |    | B      | B  | B  | B | B | B | B | B | B | B | B     | B | B  |    |    |    |    |    | B | B | B |
|               |                  |       |    |    |    |    | A      | A  | A  | A | A | A | A | A | A | A | A     | A | A  |    |    |    |    |    | A | A | A |
| 5P + 48S + 5P |                  |       |    |    |    |    |        |    |    |   |   |   |   |   |   |   |       |   |    |    |    |    |    |    |   |   |   |



|  |       |   |                        |     |       |      |       |      |       |       |       |       |        |       |        |    |
|--|-------|---|------------------------|-----|-------|------|-------|------|-------|-------|-------|-------|--------|-------|--------|----|
| THIS DRAWING IS A CONTROLLED DOCUMENT.   |       | DWN: S. ZHAO 25MAY2007  | <b>TE</b> Connectivity |     |       |      |       |      |       |       |       |       |        |       |        |    |
| DIMENSIONS: INCHES   |       | CHK: S. ZHAO 25MAY2007  |                        |     |       |      |       |      |       |       |       |       |        |       |        |    |
| TOLERANCES UNLESS OTHERWISE SPECIFIED:   |       | APVD: S. ZHAO 25MAY2007   |                        |     |       |      |       |      |       |       |       |       |        |       |        |    |
| <table border="0"> <tr><td>0 PLC</td><td>±.1</td></tr> <tr><td>1 PLC</td><td>±.01</td></tr> <tr><td>2 PLC</td><td>±.01</td></tr> <tr><td>3 PLC</td><td>±.005</td></tr> <tr><td>4 PLC</td><td>±.002</td></tr> <tr><td>ANGLES</td><td>±.020</td></tr> <tr><td>FINISH</td><td>M2</td></tr> </table> |       | 0 PLC   |                        | ±.1 | 1 PLC | ±.01 | 2 PLC | ±.01 | 3 PLC | ±.005 | 4 PLC | ±.002 | ANGLES | ±.020 | FINISH | M2 |
| 0 PLC  | ±.1   |   |                        |     |       |      |       |      |       |       |       |       |        |       |        |    |
| 1 PLC  | ±.01  |   |                        |     |       |      |       |      |       |       |       |       |        |       |        |    |
| 2 PLC  | ±.01  |   |                        |     |       |      |       |      |       |       |       |       |        |       |        |    |
| 3 PLC  | ±.005 |   |                        |     |       |      |       |      |       |       |       |       |        |       |        |    |
| 4 PLC  | ±.002 |   |                        |     |       |      |       |      |       |       |       |       |        |       |        |    |
| ANGLES   | ±.020 |   |                        |     |       |      |       |      |       |       |       |       |        |       |        |    |
| FINISH   | M2    |   |                        |     |       |      |       |      |       |       |       |       |        |       |        |    |
| MATERIAL: -  |       | NAME: RIGHT ANGLE RECEPTACLE WITH LP CONTACT AND SHORT END MODULES MULTI-BEAM XLE | RESTRICTED TO: -       |     |       |      |       |      |       |       |       |       |        |       |        |    |
| SCALE: 4:1   |       | SIZE: A1  | REV: F5                |     |       |      |       |      |       |       |       |       |        |       |        |    |

| PART NUMBER       | ROWS |  | POWER |    |    |    | SIGNAL |   |   |   |   | POWER |    |    |    |  |
|-------------------|------|--|-------|----|----|----|--------|---|---|---|---|-------|----|----|----|--|
|                   |      |  | P8    | P7 | P6 | P5 | 5      | 4 | 3 | 2 | 1 | P4    | P3 | P2 | P1 |  |
| 1-6450880-9       | D    |  | RS    | RS | RS | RS | D      | D | D | D | D | RS    | RS | RS | RS |  |
|                   | C    |  |       |    |    |    | C      | C | C | C |   |       |    |    |    |  |
|                   | B    |  |       |    |    |    | B      | B | B | B |   |       |    |    |    |  |
|                   | A    |  |       |    |    |    | A      | A | A | A |   |       |    |    |    |  |
| 4HDP + 20S + 4HDP |      |  |       |    |    |    |        |   |   |   |   |       |    |    |    |  |



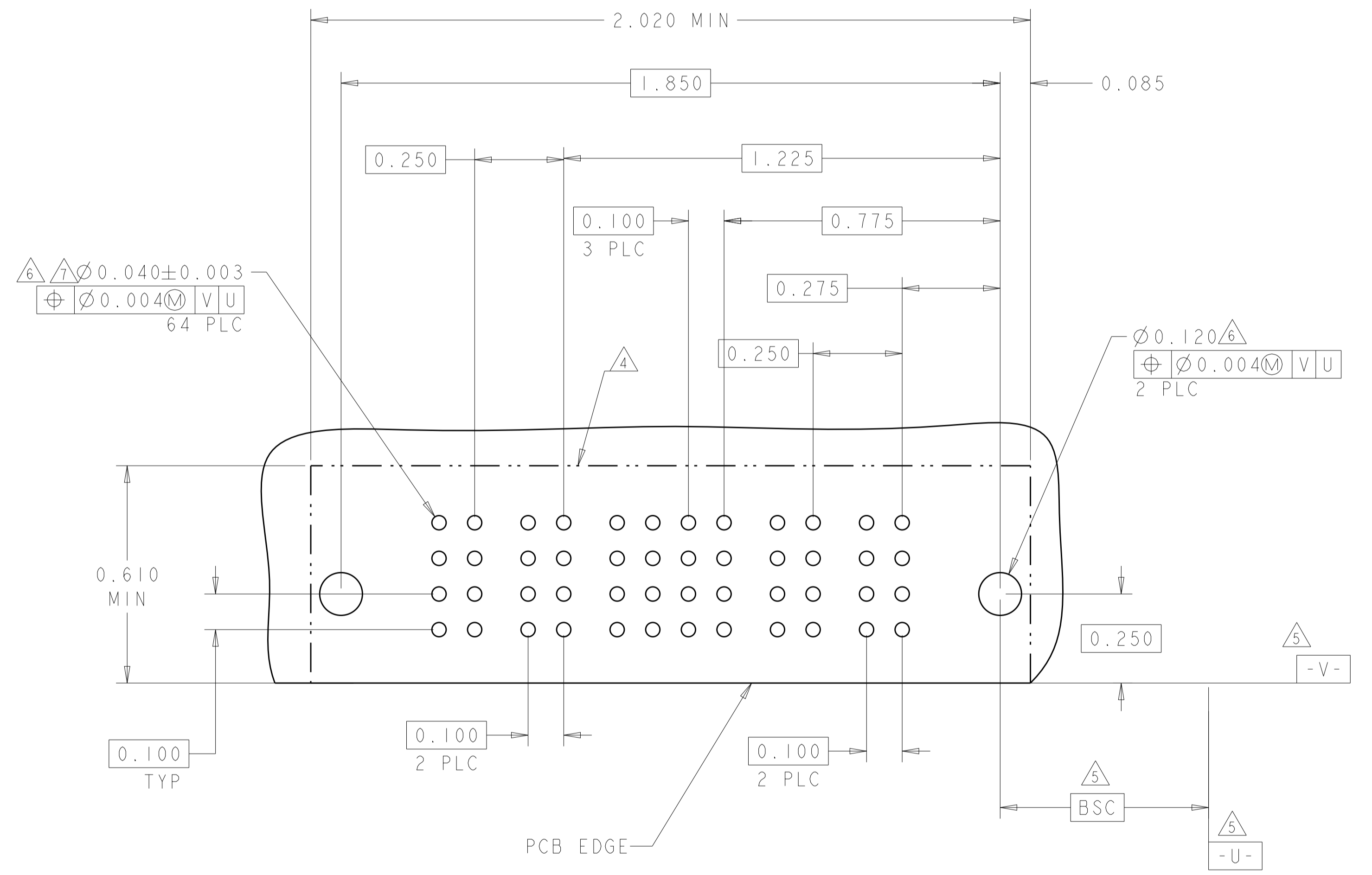
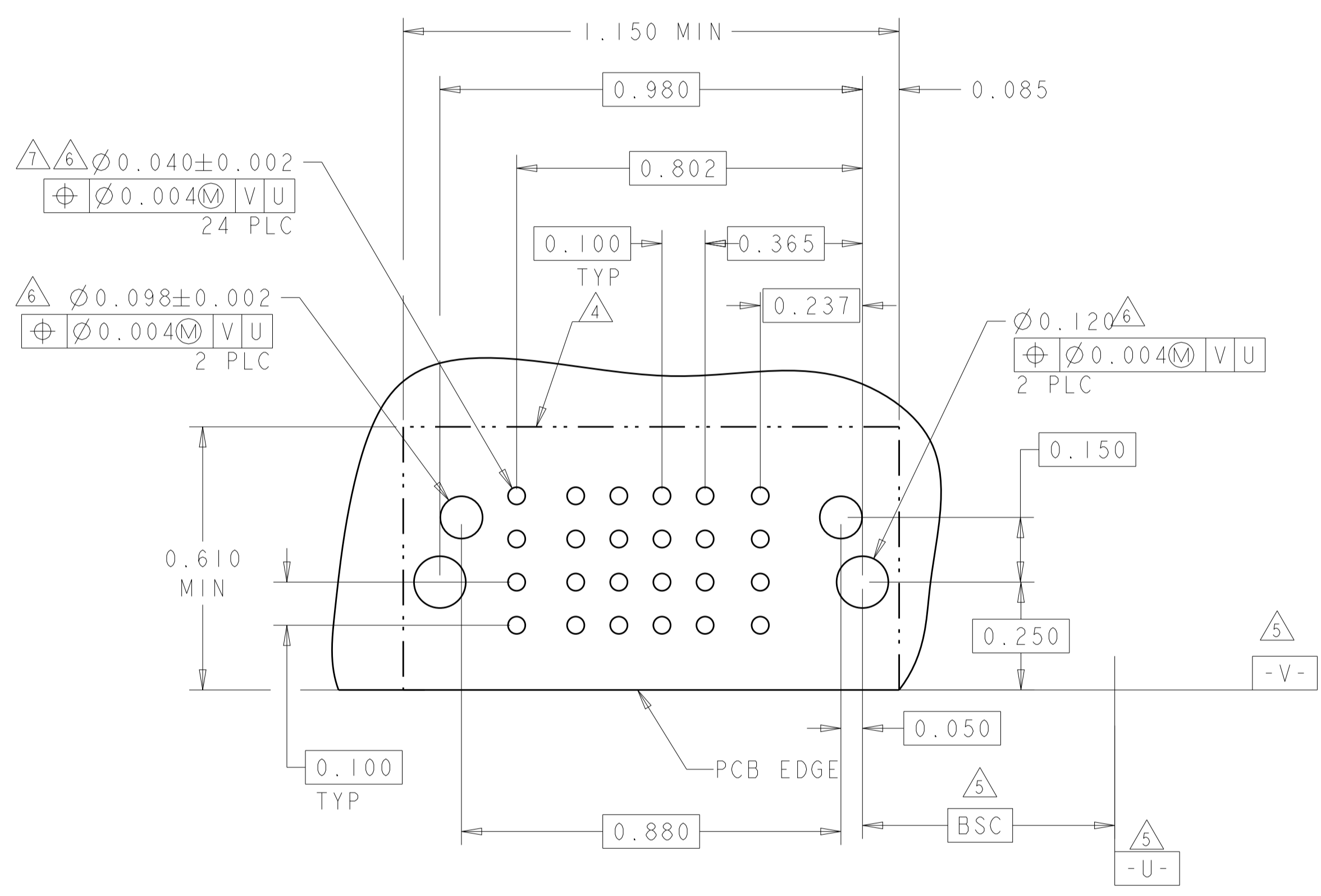
|  |  |  |  |   |  |
|--|--|--|--|---|--|
| THIS DRAWING IS A CONTROLLED DOCUMENT. |  | DMN: S. ZHAO 25MAY2007                 |  | TE Connectivity   |  |
| DIMENSIONS: INCHES                     |  | CHK: S. ZHAO 25MAY2007                 |  | NAME: RIGHT ANGLE RECEPTACLE WITH LP CONTACT AND SHORT END MODULES MULTI-BEAM XLE |  |
|  |  | TOLERANCES UNLESS OTHERWISE SPECIFIED: | PRODUCT SPEC                                       |   |  |
|  |  | 0 PLC ±.1                              | 108-2292   |   |  |
|  |  | 2 PLC ±.01                             | APPLICATION SPEC                                   |   |  |
|  |  | 3 PLC ±.005                            | 114-13251  |   |  |
|  |  | 4 PLC ±.0020                           | SIZE: CAGE CODE DRAWING NO. RESTRICTED TO          |   |  |
|  |  | ANGLES ±.7°                            | A100779C=6450880                                   |   |  |
| MATERIAL: -                            |  | FINISH: -                              | WEIGHT: -  |   |  |
|  |  |  | CUSTOMER DRAWING SCALE: 4:1 SHEET 11 OF 13 REV: F5 |   |  |

| LOC | DIST | REVISIONS   |      |     |      |
|-----|------|-------------|------|-----|------|
| P   | LTH  | DESCRIPTION | DATE | DNW | APVD |
| -   | -    | SEE SHEET 1 | -    | -   | -    |

| PART NUMBER     | ROWS | POWER | SIGNAL |   |   |   | POWER |
|-----------------|------|-------|--------|---|---|---|-------|
|                 |      |       | P2     | 4 | 3 | 2 |       |
| 2-6450880-0     | D    | LS    | D      | D | D | D | LS    |
|                 | C    |       | C      | C | C |   |       |
|                 | B    |       | B      | B | B |   |       |
|                 | A    |       | A      | A | A |   |       |
| ILP + 16S + ILP |      |       |        |   |   |   |       |

| PART NUMBER   | ROWS | POWER | SIGNAL |    |   |   | POWER |
|---------------|------|-------|--------|----|---|---|-------|
|               |      |       | P4     | P3 | 4 | 3 |       |
| 2-6450880-6   | D    | RS    | D      | D  | D | D | RS    |
|               | C    |       | C      | C  | C |   |       |
|               | B    |       | B      | B  | B |   |       |
|               | A    |       | A      | A  | A |   |       |
| 2P + 16S + 2P |      |       |        |    |   |   |       |

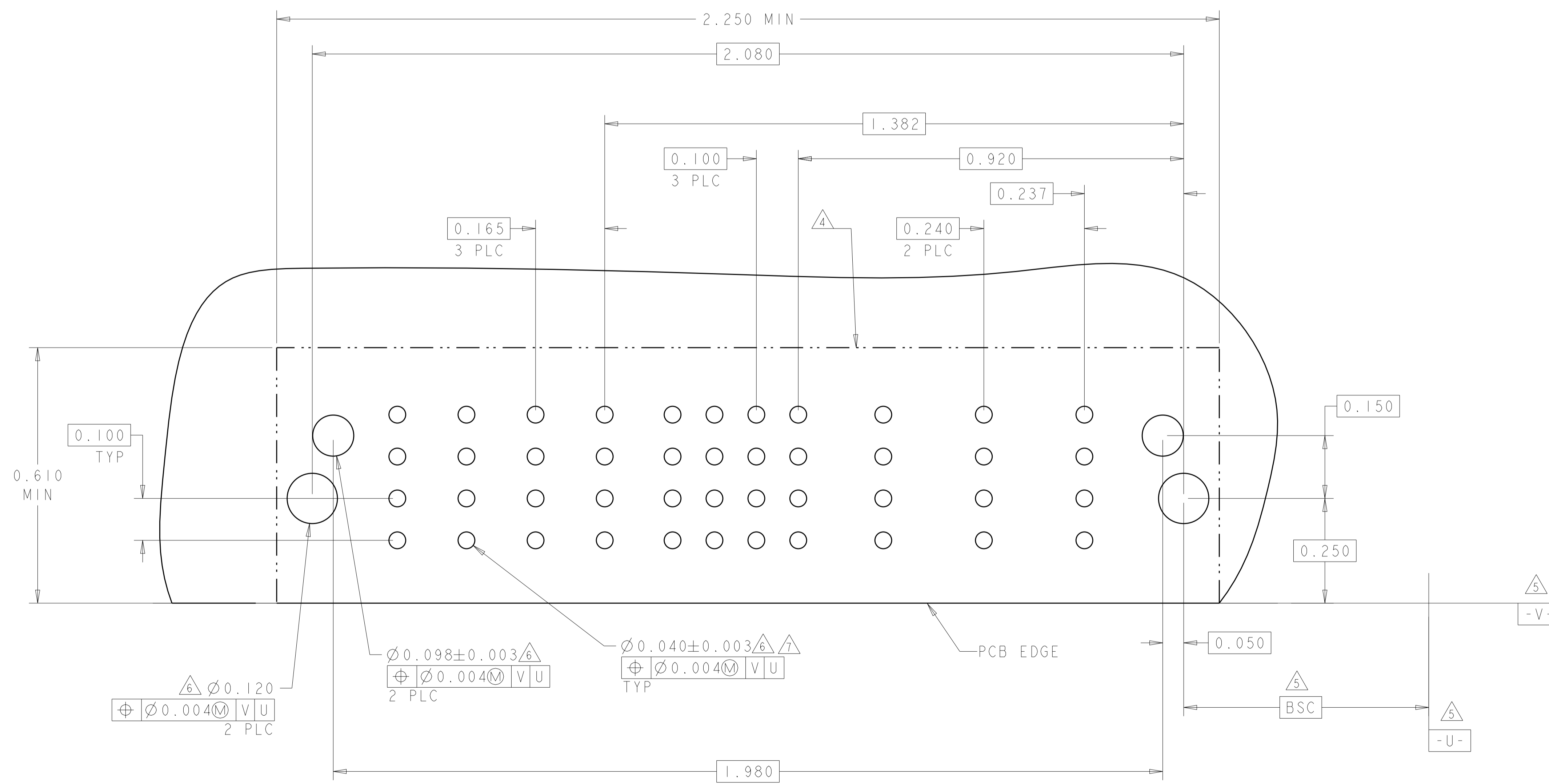
E7



|  |  |                            |  |
|--|--|----------------------------|--|
| THIS DRAWING IS A CONTROLLED DOCUMENT. |  | DNW S. ZHAO 25MAY2007      | <b>STE</b> TE Connectivity   |
| DIMENSIONS: INCHES                     |  | CHK S. ZHAO 25MAY2007      |  |
| TOLERANCES UNLESS OTHERWISE SPECIFIED: |  | APVD S. ZHAO 25MAY2007     | NAME RIGHT ANGLE RECEPTACLE WITH LP CONTACT AND SHORT END MODULES MULTI-BEAM XLE |
| 0 PLC ±.1                              |  | PRODUCT SPEC 108-2292      |  |
| 1 PLC ±.01                             |  | APPLICATION SPEC 114-13251 | SIZE CAGE CODE DRAWING NO. RESTRICTED TO   |
| 2 PLC ±.005                            |  | WEIGHT                     |  |
| 3 PLC ±.0020                           |  | FINISH                     | A100779C=6450880   |
| 4 PLC ±.0020                           |  | MATERIAL                   | CUSTOMER DRAWING   |
| ANGLES                                 |  | SCALE 4:1                  | SHEET 12 OF 13   |
| FINISH                                 |  | REV F5                     |  |

| LOC | DIST | REVISIONS |     |             |      |     |      |
|-----|------|-----------|-----|-------------|------|-----|------|
| ES  | 00   | P         | LTH | DESCRIPTION | DATE | DWN | APVD |
|     |      | -         |     | SEE SHEET 1 |      | -   | -    |

| PART NUMBER     | ROWS | POWER |     |     |     | SIGNAL |   |   |   | POWER |     |     |
|-----------------|------|-------|-----|-----|-----|--------|---|---|---|-------|-----|-----|
|                 |      | LP7   | LP6 | LP5 | LP4 | 4      | 3 | 2 | 1 | LP3   | LP2 | LP1 |
| 2-6450880-7     | D    | LS    | LS  | LS  | LS  | D      | D | D | D | LS    | LS  | LS  |
|                 | C    |       |     |     |     | C      | C | C |   |       |     |     |
|                 | B    |       |     |     |     | B      | B | B |   |       |     |     |
|                 | A    |       |     |     |     | A      | A | A |   |       |     |     |
| 3LP + 16S + 4LP |      | HD    |     |     |     |        |   |   |   |       |     |     |



THIS DRAWING IS A CONTROLLED DOCUMENT.

|                       |   |  |   |
|-----------------------|---|--|---|
| DIMENSIONS:<br>INCHES | TOLERANCES UNLESS OTHERWISE SPECIFIED:<br>0 PLC ±.1<br>1 PLC ±.1<br>2 PLC ±.01<br>3 PLC ±.005<br>4 PLC ±.002<br>ANGLES ±.2° | DWN S. ZHAO 25MAY2007<br>CHK S. ZHAO 25MAY2007<br>APVD S. ZHAO 25MAY2007 | NAME<br>RIGHT ANGLE RECEPTACLE WITH LP CONTACT AND SHORT END MODULES MULTI-BEAM XLE |
| MATERIAL              | FINISH  | PRODUCT SPEC<br>108-2292   | APPLICATION SPEC<br>114-13251   |
| CUSTOMER DRAWING      |   | WEIGHT   | RESTRICTED TO   |

SCALE 4:1 SHEET 13 OF 13 REV F5



Компания «ЭлектроПласт» предлагает заключение долгосрочных отношений при поставках импортных электронных компонентов на взаимовыгодных условиях!

Наши преимущества:

- Оперативные поставки широкого спектра электронных компонентов отечественного и импортного производства напрямую от производителей и с крупнейших мировых складов;
- Поставка более 17-ти миллионов наименований электронных компонентов;
- Поставка сложных, дефицитных, либо снятых с производства позиций;
- Оперативные сроки поставки под заказ (от 5 рабочих дней);
- Экспресс доставка в любую точку России;
- Техническая поддержка проекта, помощь в подборе аналогов, поставка прототипов;
- Система менеджмента качества сертифицирована по Международному стандарту ISO 9001;
- Лицензия ФСБ на осуществление работ с использованием сведений, составляющих государственную тайну;
- Поставка специализированных компонентов (Xilinx, Altera, Analog Devices, Intersil, Interpoint, Microsemi, Aeroflex, Peregrine, Syfer, Eurofarad, Texas Instrument, Miteq, Cobham, E2V, MA-COM, Hittite, Mini-Circuits, General Dynamics и др.);

Помимо этого, одним из направлений компании «ЭлектроПласт» является направление «Источники питания». Мы предлагаем Вам помощь Конструкторского отдела:

- Подбор оптимального решения, техническое обоснование при выборе компонента;
- Подбор аналогов;
- Консультации по применению компонента;
- Поставка образцов и прототипов;
- Техническая поддержка проекта;
- Защита от снятия компонента с производства.



#### Как с нами связаться

**Телефон:** 8 (812) 309 58 32 (многоканальный)

**Факс:** 8 (812) 320-02-42

**Электронная почта:** [org@eplast1.ru](mailto:org@eplast1.ru)

**Адрес:** 198099, г. Санкт-Петербург, ул. Калинина, дом 2, корпус 4, литера А.