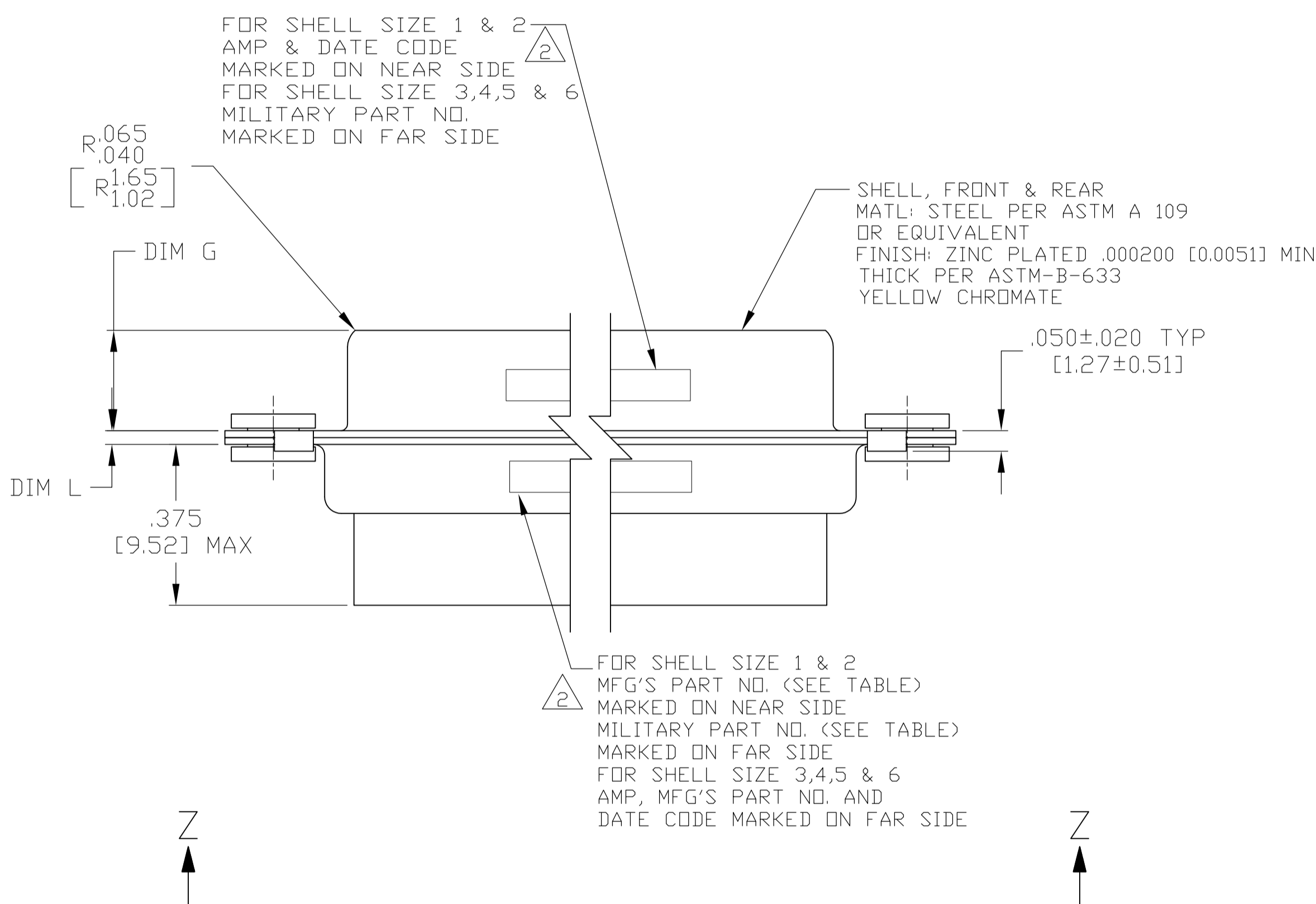
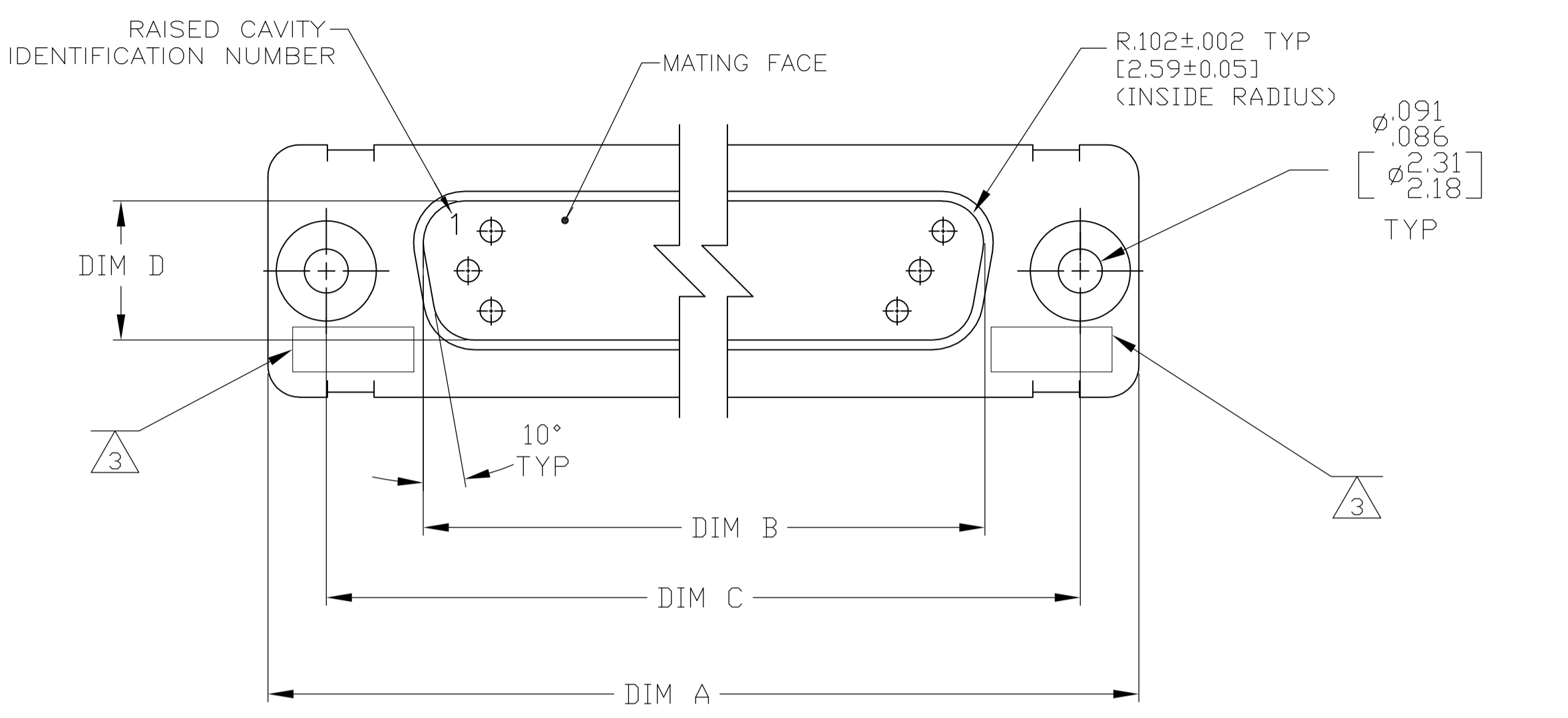
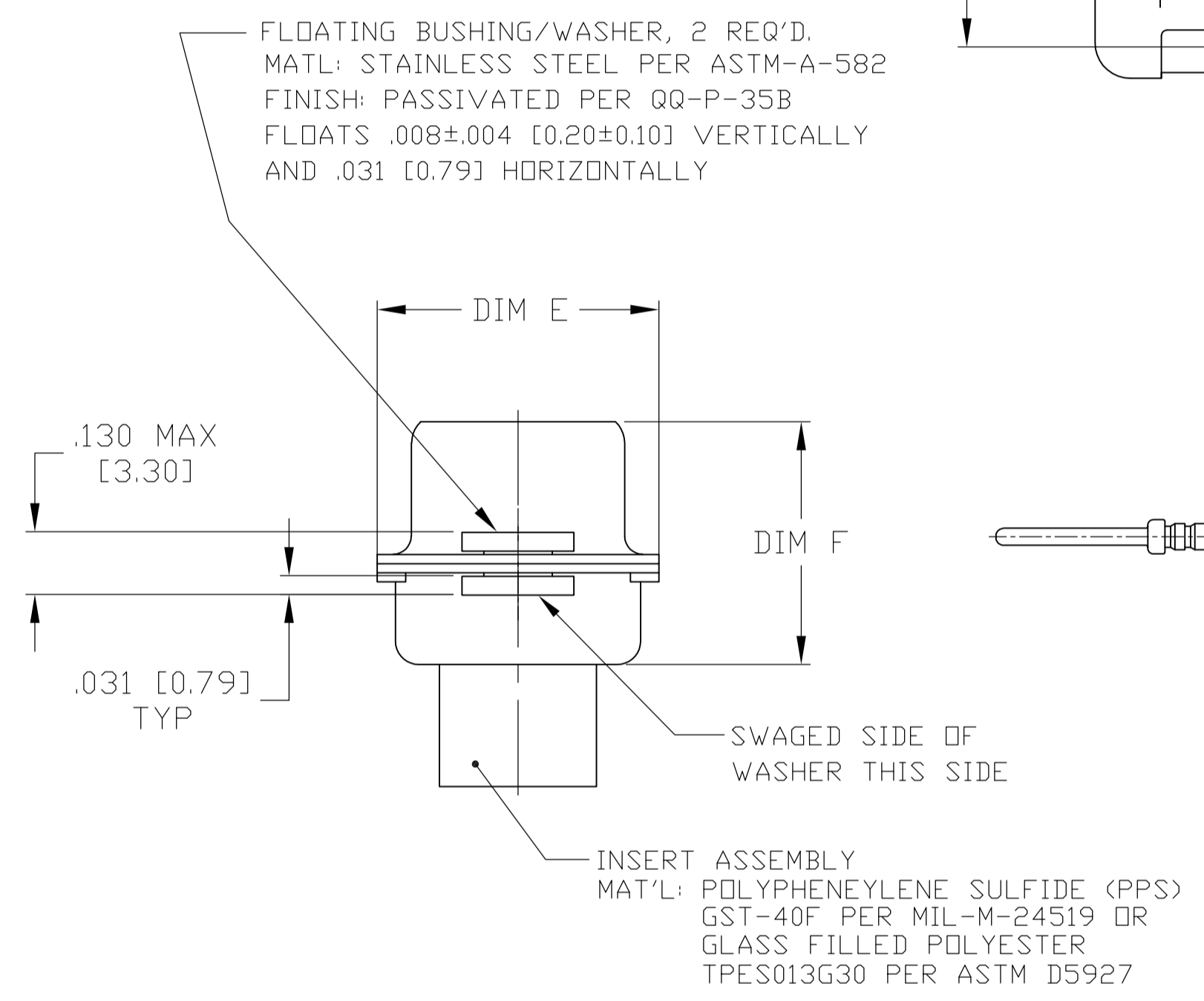
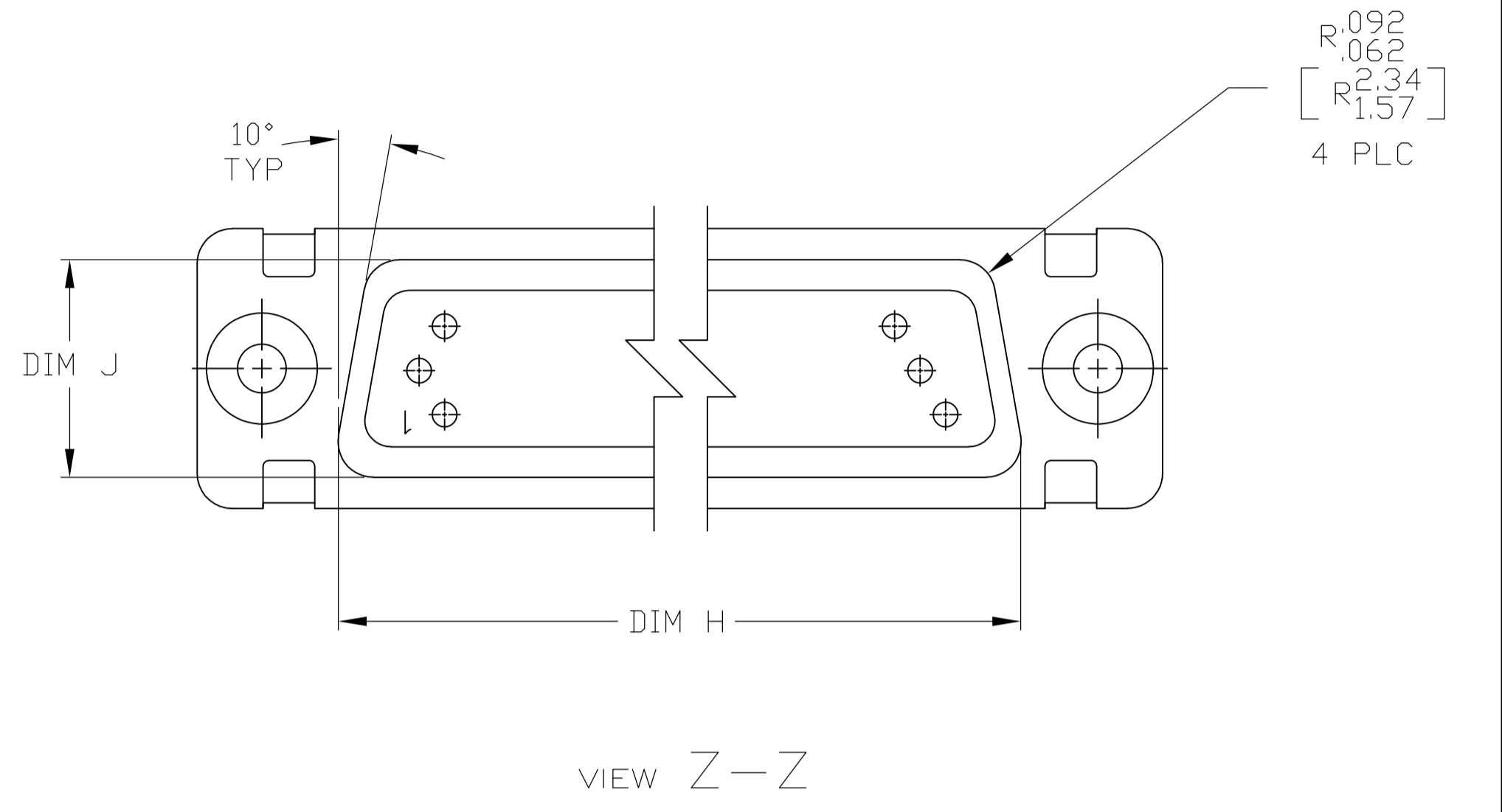


LOC	DIST	REVISIONS					
DF	DO	P	LTR	DESCRIPTION	DATE	DN	APVD
G				REVISED PER ECO-14-013367	09OCT14	MGM	CT



- THE CONNECTOR DESCRIBED IN THIS DOCUMENT WILL MATE WITH ANY RECEPTACLE CONNECTOR WITH THE SAME INSERT ARRANGEMENT.
- MARKED WITH .047-.062 [1.19-1.57] HIGH CHARACTERS. FAR SIDE REFERS TO THE WIDE SIDE OF THE KEYSTONE. NEAR SIDE REFERS TO THE NARROW SIDE OF THE KEYSTONE. WHEN SPACE IS LIMITED MARKING CAN BE SPLIT BETWEEN FRONT AND REAR SHELL.
- UL/CSA DESIGNATION MARKED IN THIS AREA (DOES NOT APPLY TO -6 OR -12).
- CONNECTOR ASSEMBLY WITHOUT CONTACTS, MFG'S P/N 204370-2. MUST BE ORDERED SEPARATELY.
- CONNECTOR ASSEMBLY SUPPLIED WITH CONTACTS, MFG'S P/N 204370-2. PACKAGED IN A SEPARATE CONTAINER. QTY = NO. OF POSN. (SEE TABLE).



SIZE 20 PIN CONTACT
MATERIAL: COPPER ALLOY PER MIL-C-39029 & MIL-DTL-24308.
PLATING: GOLD PER ASTM-B-488 (TYPEII) OVER NICKEL PER QQ-N-290.

MARKING	M24308/4-312Z	M24308/4-311Z	M24308/4-310Z	M24308/4-309Z	M24308/4-308Z	M24308/4-307Z	M24308/4-334Z	M24308/4-333Z	M24308/4-332Z	M24308/4-331Z	M24308/4-330Z	M24308/4-329Z	REMARKS	MILITARY P/N ON PACKAGE	MILITARY P/N ON CONNECTOR	MARKED MFG'S PART NUMBER	L	J	H	G	F	E	D	C	B	A	INSERT ARRANGEMENT	NO OF POS	SHELL SIZE	PART NUMBER
5	.049 [1.24]	.049 [1.24]	.049 [1.24]	.049 [1.24]	.040 [1.02]	.040 [1.02]	.049 [1.24]	.049 [1.24]	.049 [1.24]	.049 [1.24]	.040 [1.02]	.040 [1.02]					.049	.606	2.312	.236	.436	.683	.508	2.505	2.217	2.744	MS14004-1	104	6	1-1757825-2
5	.029 [0.74]	.029 [0.74]	.029 [0.74]	.029 [0.74]	.020 [0.51]	.020 [0.51]	.029 [0.74]	.029 [0.74]	.029 [0.74]	.029 [0.74]	.020 [0.51]	.020 [0.51]					.029	.586	2.292	.224	.416	.653	.498	2.495	2.207	2.714	MS18277-2	78	5	1-1757825-1
5	.049 [1.24]	.049 [1.24]	.049 [1.24]	.049 [1.24]	.040 [1.02]	.040 [1.02]	.049 [1.24]	.049 [1.24]	.049 [1.24]	.049 [1.24]	.040 [1.02]	.040 [1.02]					.049	.544	2.188	.236	.436	.620	.446	2.411	2.084	2.650	MS18276-2	62	4	1-1757825-0
5	.029 [0.74]	.029 [0.74]	.029 [0.74]	.029 [0.74]	.020 [0.51]	.020 [0.51]	.029 [0.74]	.029 [0.74]	.029 [0.74]	.029 [0.74]	.020 [0.51]	.020 [0.51]					.029	.412	2.262	.224	.416	.509	.324	2.505	2.187	2.714	MS18275-2	44	3	1757825-9
5	.049 [1.24]	.049 [1.24]	.049 [1.24]	.049 [1.24]	.040 [1.02]	.040 [1.02]	.049 [1.24]	.049 [1.24]	.049 [1.24]	.049 [1.24]	.040 [1.02]	.040 [1.02]					.049	.432	2.282	.236	.436	.509	.334	2.505	2.187	2.744	MS18274-2	26	2	1757825-8
5	.029 [0.74]	.029 [0.74]	.029 [0.74]	.029 [0.74]	.020 [0.51]	.020 [0.51]	.029 [0.74]	.029 [0.74]	.029 [0.74]	.029 [0.74]	.020 [0.51]	.020 [0.51]					.029	.412	2.262	.224	.416	.479	.324	2.495	2.177	2.714	MS18273-2	15	1	1757825-7
4	.049 [1.24]	.049 [1.24]	.049 [1.24]	.049 [1.24]	.040 [1.02]	.040 [1.02]	.049 [1.24]	.049 [1.24]	.049 [1.24]	.049 [1.24]	.040 [1.02]	.040 [1.02]					.049	.606	2.312	.236	.436	.683	.508	2.505	2.217	2.744	MS14004-1	104	6	1757825-6
4	.029 [0.74]	.029 [0.74]	.029 [0.74]	.029 [0.74]	.020 [0.51]	.020 [0.51]	.029 [0.74]	.029 [0.74]	.029 [0.74]	.029 [0.74]	.020 [0.51]	.020 [0.51]					.029	.586	2.292	.224	.416	.590	.446	2.411	2.084	2.620	MS18277-2	78	5	1757825-5
4	.049 [1.24]	.049 [1.24]	.049 [1.24]	.049 [1.24]	.040 [1.02]	.040 [1.02]	.049 [1.24]	.049 [1.24]	.049 [1.24]	.049 [1.24]	.040 [1.02]	.040 [1.02]					.049	.544	2.188	.236	.436	.620	.446	2.411	2.084	2.650	MS18276-2	62	4	1757825-4
4	.029 [0.74]	.029 [0.74]	.029 [0.74]	.029 [0.74]	.020 [0.51]	.020 [0.51]	.029 [0.74]	.029 [0.74]	.029 [0.74]	.029 [0.74]	.020 [0.51]	.020 [0.51]					.029	.412	2.262	.224	.416	.479	.324	2.495	2.177	2.714	MS18275-2	44	3	1757825-3
4	.049 [1.24]	.049 [1.24]	.049 [1.24]	.049 [1.24]	.040 [1.02]	.040 [1.02]	.049 [1.24]	.049 [1.24]	.049 [1.24]	.049 [1.24]	.040 [1.02]	.040 [1.02]					.049	.432	2.282	.236	.436	.509	.334	2.505	2.187	2.744	MS18274-2	26	2	1757825-2
4	.029 [0.74]	.029 [0.74]	.029 [0.74]	.029 [0.74]	.020 [0.51]	.020 [0.51]	.029 [0.74]	.029 [0.74]	.029 [0.74]	.029 [0.74]	.020 [0.51]	.020 [0.51]					.029	.412	2.262	.224	.416	.479	.324	2.495	2.177	2.714	MS18273-2	15	1	1757825-1

THIS DRAWING IS A CONTROLLED DOCUMENT.

DIN	C.C. THOMAS	6-3-05
CHK	D. MILLER	6-8-05
APP'D	D. MILLER	6-8-05

TE Connectivity

AMPLIMITE PLUG ASSY, SIZE 1 THRU 6
SERIES 90 WITH ZINC PLATING
WITH FLOAT BUSHINGS

SIZE: A1
CASE CODE: 00779
DRAWING NO: 1757825
RESTRICTED TO: -

CUSTOMER DRAWING
SCALE: 4:1
SHEET: 1 of 1
REV: G



Компания «ЭлектроПласт» предлагает заключение долгосрочных отношений при поставках импортных электронных компонентов на взаимовыгодных условиях!

Наши преимущества:

- Оперативные поставки широкого спектра электронных компонентов отечественного и импортного производства напрямую от производителей и с крупнейших мировых складов;
- Поставка более 17-ти миллионов наименований электронных компонентов;
- Поставка сложных, дефицитных, либо снятых с производства позиций;
- Оперативные сроки поставки под заказ (от 5 рабочих дней);
- Экспресс доставка в любую точку России;
- Техническая поддержка проекта, помощь в подборе аналогов, поставка прототипов;
- Система менеджмента качества сертифицирована по Международному стандарту ISO 9001;
- Лицензия ФСБ на осуществление работ с использованием сведений, составляющих государственную тайну;
- Поставка специализированных компонентов (Xilinx, Altera, Analog Devices, Intersil, Interpoint, Microsemi, Aeroflex, Peregrine, Syfer, Eurofarad, Texas Instrument, Miteq, Cobham, E2V, MA-COM, Hittite, Mini-Circuits, General Dynamics и др.);

Помимо этого, одним из направлений компании «ЭлектроПласт» является направление «Источники питания». Мы предлагаем Вам помощь Конструкторского отдела:

- Подбор оптимального решения, техническое обоснование при выборе компонента;
- Подбор аналогов;
- Консультации по применению компонента;
- Поставка образцов и прототипов;
- Техническая поддержка проекта;
- Защита от снятия компонента с производства.



Как с нами связаться

Телефон: 8 (812) 309 58 32 (многоканальный)

Факс: 8 (812) 320-02-42

Электронная почта: org@eplast1.ru

Адрес: 198099, г. Санкт-Петербург, ул. Калинина, дом 2, корпус 4, литера А.