

NCP2811

NOCAP™ Advanced Stereo Headphone Amplifier

NCP2811 is a dual audio power amplifier designed for portable communication device applications such as mobile phones. This part is capable of delivering 27 mW of continuous average power into a 16 Ω load from a 2.7 V power supply with a THD+N of 1%.

Based on the power supply delivered to the device, an internal power management block generates a symmetrical positive and negative voltage. Thus, the internal amplifiers provide outputs referenced to Ground. In this True Ground configuration, the two external heavy coupling capacitors can be removed. It offers significant space and cost savings compared to a typical stereo application.

NCP2811 is available with an external adjustable gain (version A), or with an internal gain of -1.5 V/V (version B). It reaches a superior -100 dB PSRR and noise floor. Thus, it offers high fidelity audio sound, as well as a direct connection to the battery. It contains circuitry to prevent from “Pop & Click” noise that would otherwise occur during turn-on and turn-off transitions. The device is available in 12 bump CSP package (2 x 1.5 mm) which help to save space on the board. It is also available in WQFN12 and TSSOP-14 packages.

Features

- True Ground Configuration Output Eliminates DC-Blocking Capacitors:
 - Save Board Area
 - Save Component Cost
 - No Low-Frequency Response Attenuation
- High PSRR (-100 dB): Direct Connection to the Battery
- “Pop and Click” Noise Protection Circuitry
- Internal Gain (-1.5 V/V) or External Adjustable Gain
- Ultra Low Current Shutdown Mode
- 2.7 V – 5.0 V Operation
- Thermal Overload Protection Circuitry
- CSP 2 x 1.5 mm
- WQFN12 3 x 3 mm
- TSSOP-14
- These Devices are Pb-Free, Halogen Free/BFR Free and are RoHS Compliant

Typical Applications

- Headset Audio Amplifier for
 - Cellular Phones
 - MP3 Player
 - Personal Digital Assistant and Portable Media Player
 - Portable Devices



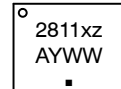
ON Semiconductor®

<http://onsemi.com>

MARKING DIAGRAMS



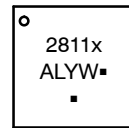
12 PIN CSP
FC SUFFIX
CASE 499AZ



- x = A for NCP2811A
- = B for NCP2811B
- z = C for backside laminate
- A = Assembly Location
- Y = Year
- WW = Work Week
- = Pb-Free Package



WQFN12
MT SUFFIX
CASE 510AH

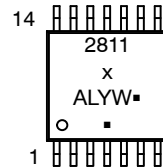


- x = A for NCP2811A
- = B for NCP2811B
- A = Assembly Location
- L = Wafer Lot
- Y = Year
- W = Work Week
- = Pb-Free Package

(Note: Microdot may be in either location)



TSSOP-14
DTB SUFFIX
CASE 948G



- x = A for NCP2811A
- = B for NCP2811B
- A = Assembly Location
- L = Wafer Lot
- Y = Year
- W = Work Week
- = Pb-Free Package

(Note: Microdot may be in either location)

ORDERING INFORMATION

See detailed ordering and shipping information on page 12 of this data sheet.

NCP2811

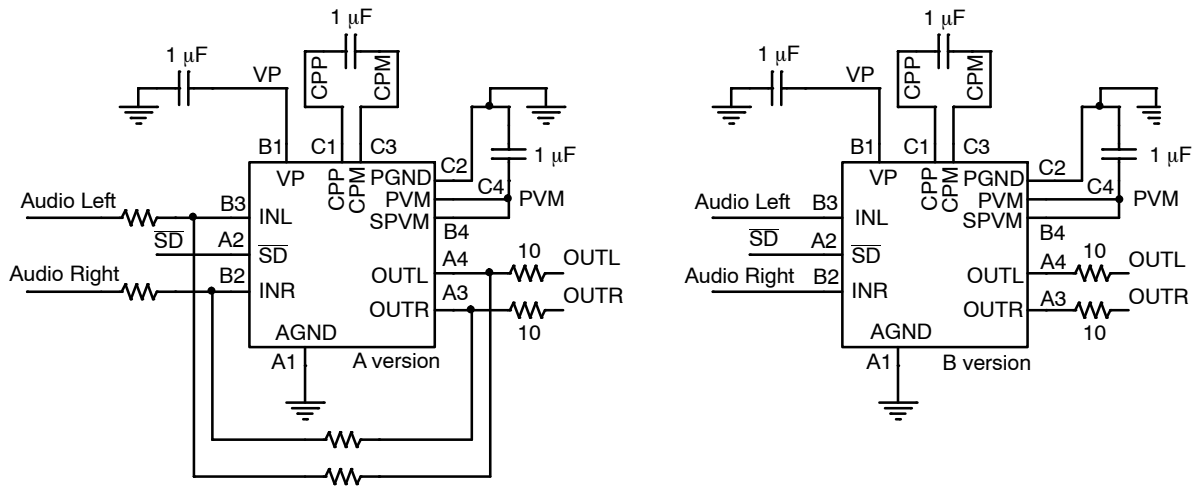


Figure 1. Application Schematics

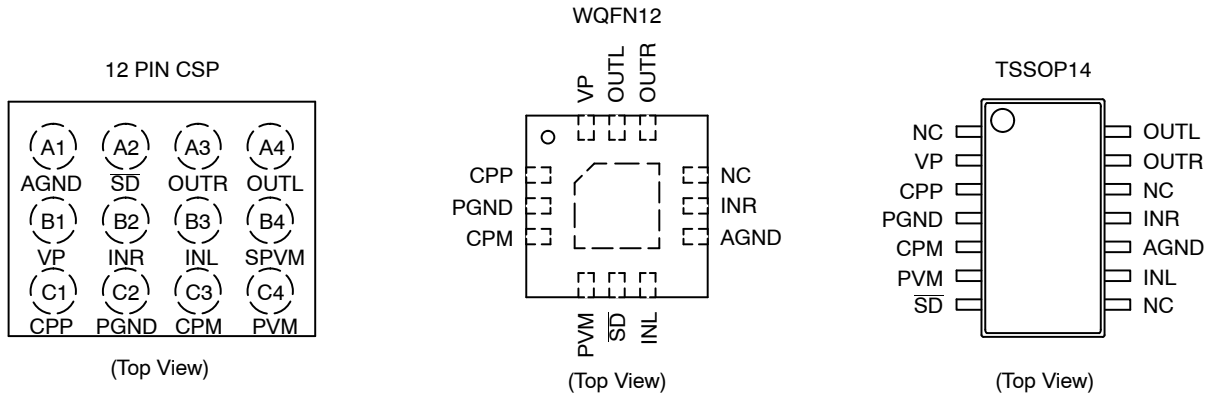


Figure 2. Pin Configurations

NCP2811

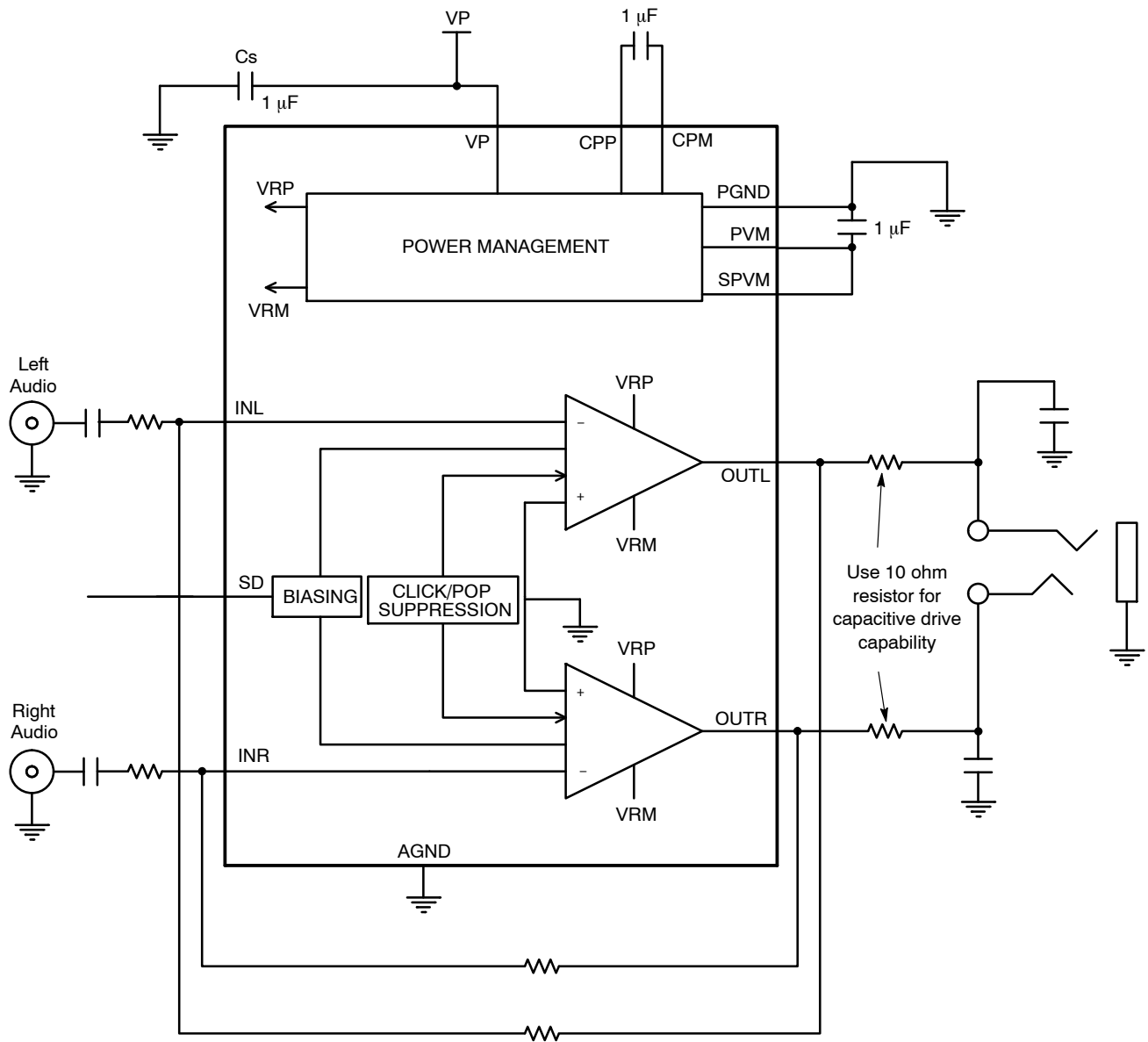


Figure 3. Typical Application Schematic version A

NCP2811

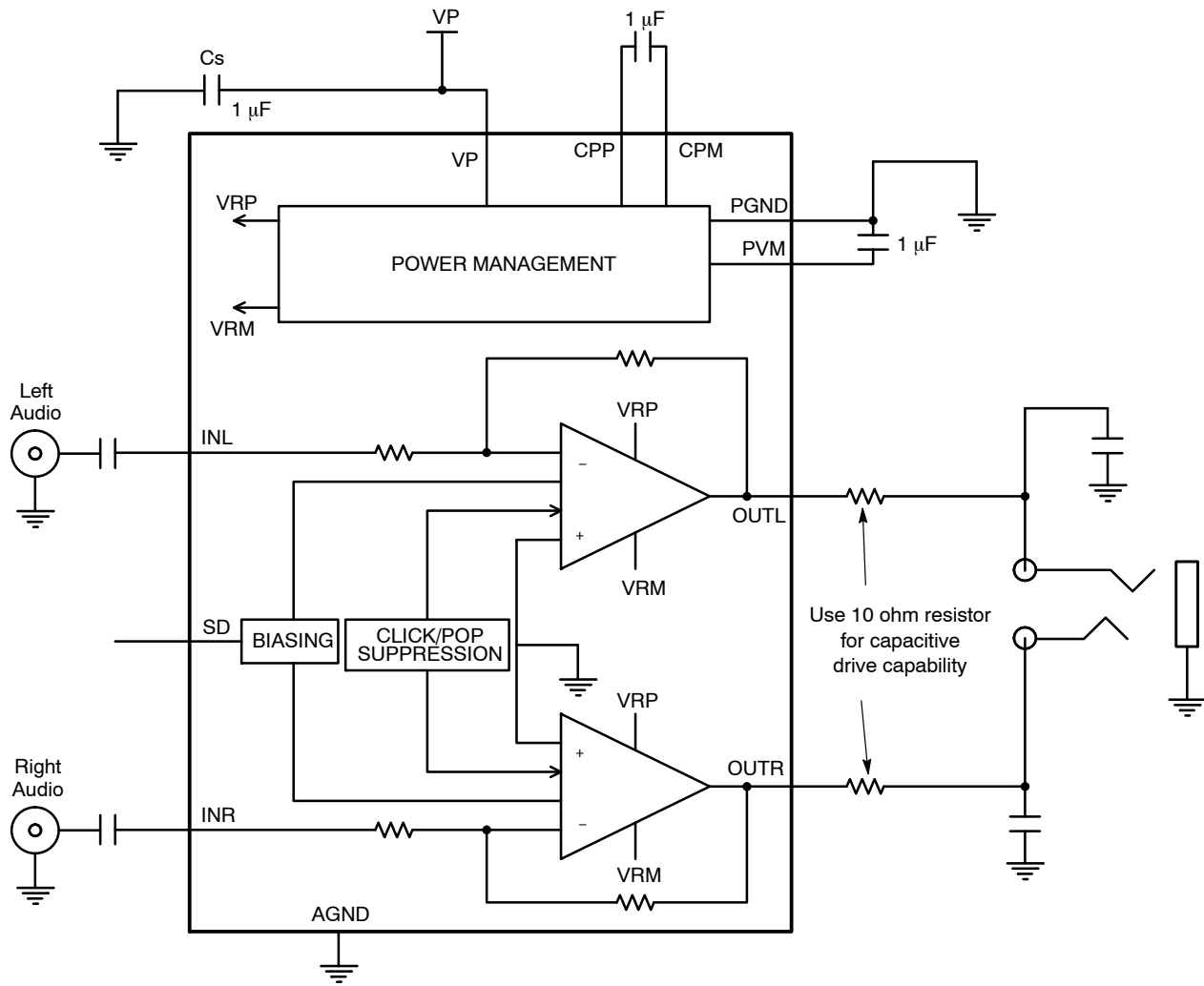


Figure 4. Typical Application Schematic version B

Table 1. PIN FUNCTION DESCRIPTION

| PIN CSP | PIN TQFN | PIN TS-SOP | PIN NAME | TYPE | DESCRIPTION |
|---------|----------|------------|----------|--------------|---|
| A1 | 7 | 10 | AGND | GROUND | Analog ground. Connect to ground reference |
| A2 | 5 | 7 | SD | INPUT | Enable activation |
| A3 | 10 | 13 | OUTR | OUTPUT | Right audio channel output signal |
| A4 | 11 | 14 | OUTL | OUTPUT | Left audio channel output signal |
| B1 | 12 | 2 | VP | POWER | Positive supply voltage. It can be connected for example to a Lithium/Ion battery |
| B2 | 8 | 11 | INR | INPUT | Right input of the first audio source |
| B3 | 6 | 9 | INL | INPUT | Left input of the first audio source |
| B4 | - | - | SPVM | POWER | Amplifier negative power supply voltage. Connect to PVM |
| C1 | 1 | 3 | CPP | INPUT/OUTPUT | Charge pump flying capacitor positive terminal. A 1 µF ceramic filtering capacitor to CPM is needed |
| C2 | 2 | 4 | PGND | GROUND | Power ground, connect to ground reference |
| C3 | 3 | 5 | CPM | INPUT | Charge pump flying capacitor negative terminal. A 1 µF ceramic filtering capacitor to CPP is needed |
| C4 | 4 | 6 | PVM | OUTPUT | Charge pump output. A 1 µF ceramic filtering capacitor to ground is needed |

NCP2811

Table 2. MAXIMUM RATINGS

| Rating | Symbol | Value | Unit |
|---|-------------------|---|------|
| AVIN, PVIN Pins: Power Supply Voltage (Note 2) | V _P | - 0.3 to + 6.0 | V |
| INL, INR Pins: Input (Note 2) A version B version | V _{IN} | -V _P - 0.3 to V _P + 0.3 -2 to +2 | V |
| \overline{SD} Pin: Input (Note 2) | V _{YY} | -0.3 to V _P + 0.3 | V |
| Human Body Model (HBM) ESD Rating are (Note 3) | ESD HBM | 2000 | V |
| Machine Model (MM) ESD Rating are (Note 3) | ESD MM | 200 | V |
| CSP 1.5 x 2.0 mm package (Notes 6 and 7) Thermal Resistance Junction to Case | R _{θJC} | (Note 7) | °C/W |
| Operating Ambient Temperature Range | T _A | -40 to + 85 | °C |
| Operating Junction Temperature Range | T _J | -40 to + 125 | °C |
| Maximum Junction Temperature (Note 6) | T _{JMAX} | + 150 | °C |
| Storage Temperature Range | T _{STG} | -65 to + 150 | °C |
| Moisture Sensitivity (Note 5) | MSL | Level 1 | |

Stresses exceeding Maximum Ratings may damage the device. Maximum Ratings are stress ratings only. Functional operation above the Recommended Operating Conditions is not implied. Extended exposure to stresses above the Recommended Operating Conditions may affect device reliability.

Notes:

1. Maximum electrical ratings are defined as those values beyond which damage to the device may occur at T_A = 25°C.
2. According to JEDEC standard JESD22-A108B.
3. This device series contains ESD protection and passes the following tests:
Human Body Model (HBM) ±2.0 kV per JEDEC standard: JESD22-A114 for all pins.
Machine Model (MM) ±200 V per JEDEC standard: JESD22-A115 for all pins.
4. Latch up Current Maximum Rating: ±100 mA per JEDEC standard: JESD78 class II.
5. Moisture Sensitivity Level (MSL): 1 per IPC/JEDEC standard: J-STD-020A.
6. The thermal shutdown set to 150°C (typical) avoids irreversible damage on the device due to power dissipation.
7. The R_{JA} is highly dependent of the PCB Heatsink area. For example, R_{JA} can equal 195°C/W with 50 mm² total area and also 135°C/W with 50 mm². The bumps have the same thermal resistance and all need to be connected to optimize the power dissipation.

$$R_{\theta CA} = \frac{125 - T_A}{P_D} - R_{\theta JC}$$

NCP2811

Table 3. ELECTRICAL CHARACTERISTICS Min & Max Limits apply for T_A between -40°C to $+85^{\circ}\text{C}$ and T_J up to $+125^{\circ}\text{C}$ for V_{IN} between 2.7 V to 5.0 V (Unless otherwise noted). Typical values are referenced to $T_A = +25^{\circ}\text{C}$ and $V_{IN} = 3.6\text{ V}$.

| Symbol | Parameter | Conditions | Min | Typ | Max | Unit |
|----------------------|--|--|-------|-------------|-------|---------------------|
| V_P | Operational Power Supply | | 2.7 | | 5.0 | V |
| I_{DD} | Supply quiescent current | Both channels enabled | | 6.0 | | mA |
| I_{SD} | Shutdown current | $V_P = 2.7\text{ V to }5.0\text{ V}$ | | | 1 | μA |
| V_{OS} | Output offset voltage | $V_P = 2.7\text{ V to }5.0\text{ V}$ | | ± 1 | | mV |
| V_{IH} | High-Level input voltage SD pin | | 1.2 | | | V |
| V_{IL} | Low-Level input voltage SD pin | | | | 0.4 | V |
| R_{SD} | SD pin pull-down impedance | | | 190 | | $\text{K}\Omega$ |
| T_{WU} | Turning on time | | | 1 | | ms |
| T_{SD} | Thermal shutdown temperature | | | 160 | | $^{\circ}\text{C}$ |
| V_{LP} | Max output swing (peak value) | $V_P = 2.9\text{ V to }5.0\text{ V}$ Headset $\geq 16\ \Omega$ THD+N = 1% | 1 | | | V_{RMS} |
| P_O | Max output power (output in phase) | $V_P = 2.7\text{V}$, THD+N = 1% Headset = $16\ \Omega$ | | 27 | | mW |
| | | $V_P = 2.7\text{V}$, THD+N = 1% Headset = $32\ \Omega$ | | 37 | | |
| | | $V_P = 3.6\text{V}$, THD+N = 1% Headset = $16\ \Omega$ | | 90 | | |
| | | $V_P = 3.6\text{V}$, THD+N = 1% Headset = $32\ \Omega$ | | 64 | | |
| | | $V_P = 5.0\text{V}$, THD+N = 1% Headset = $16\ \Omega$ | | 110 | | |
| | | $V_P = 5.0\text{V}$, THD+N = 1% Headset = $32\ \Omega$ | | 64 | | |
| | Crosstalk (Note 8) | Headset $\geq 16\ \Omega$ | | -80 | -60 | dB |
| PSRR | Power supply rejection ratio (Note 8) | $V_P = 2.7\text{ V to }5.0\text{ V}$ Input shorted to ground $F = 217\text{ Hz}$ $F = 1\text{ kHz}$ | | -106 -95 | | dB |
| THD+N | Total harmonic distortion + noise (Note 8) | Headset = $16\ \Omega$ $P_{OUT} = 25\text{ mW}$ | | 0.01 | | % |
| V_N | Output noise voltage (Note 8) | A-Weighting filter | | 7 | | μV_{RMS} |
| Z_{IN} | Input impedance | B version only | | 20 | | $\text{K}\Omega$ |
| Z_{SD} | Output impedance in shutdown mode | | | 10 | | $\text{K}\Omega$ |
| UVLO | UVLO threshold | Falling edge | | 2.3 | | V |
| UVLO _{HYST} | UVLO hysteresis | | | 100 | | mV |
| A_v | Voltage Gain | B version only | -1.53 | -1.5 | -1.48 | V/V |

8. Guaranteed by design and characterized.

TYPICAL OPERATING CHARACTERISTICS

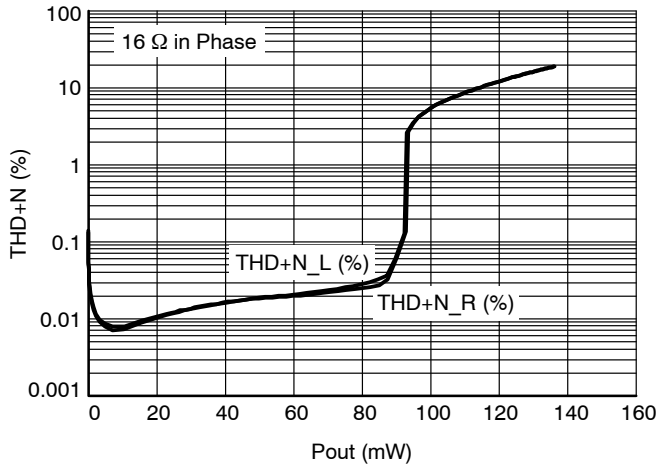


Figure 5. THD+N vs. Pout @ Vp = 3.6 V

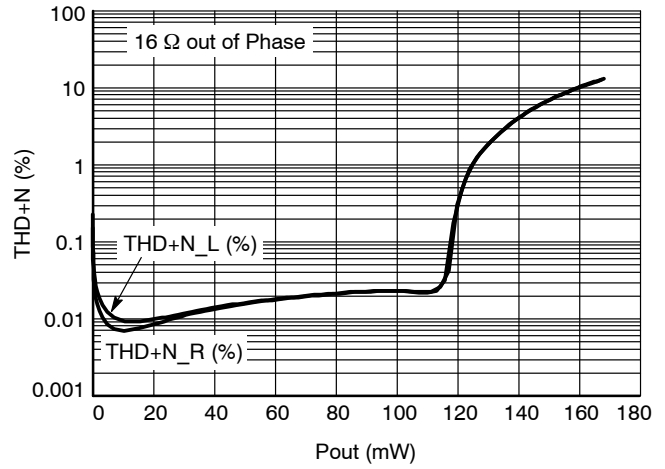


Figure 6. THD+N vs. Pout @ Vp = 3.6 V

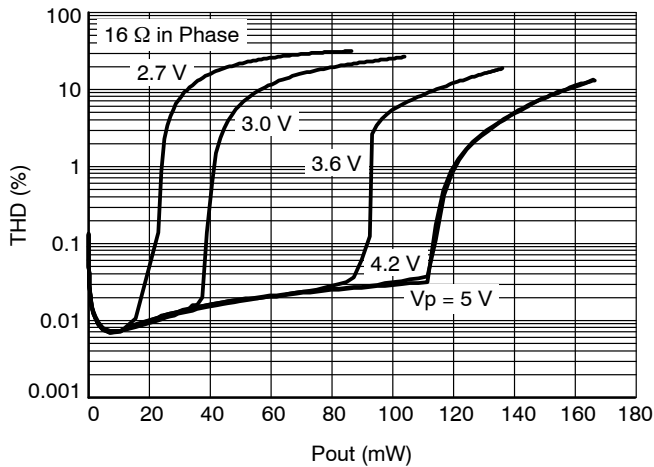


Figure 7. THD+N vs. Pout LEFT

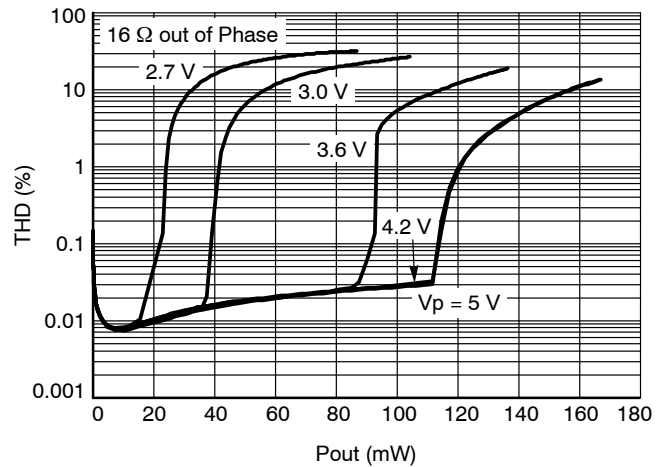


Figure 8. THD+N vs. Pout RIGHT

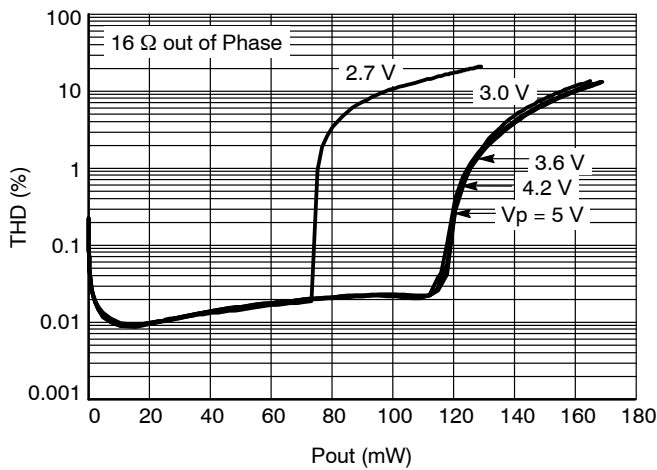


Figure 9. THD+N vs. Pout LEFT

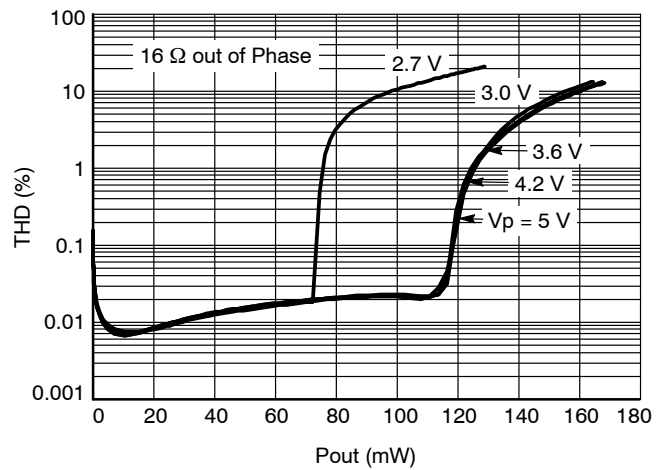


Figure 10. THD+N vs. Pout RIGHT

TYPICAL OPERATING CHARACTERISTICS

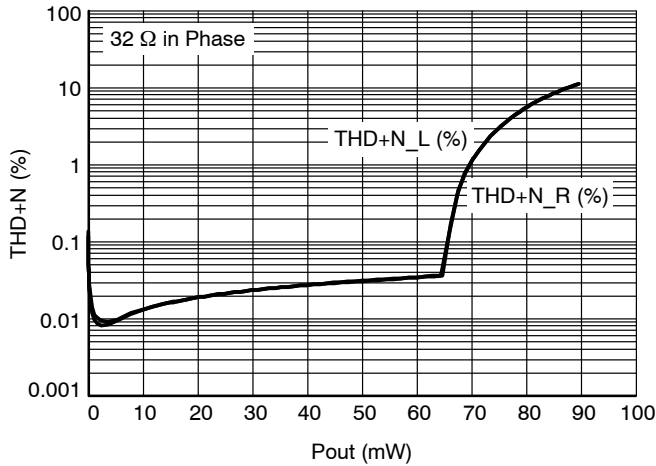


Figure 11. THD+N vs. Pout @ Vp = 3.6 V

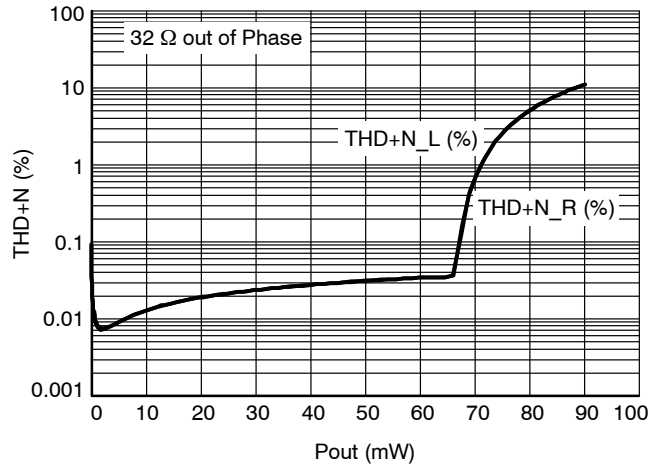


Figure 12. THD+N vs. Pout @ Vp = 3.6 V

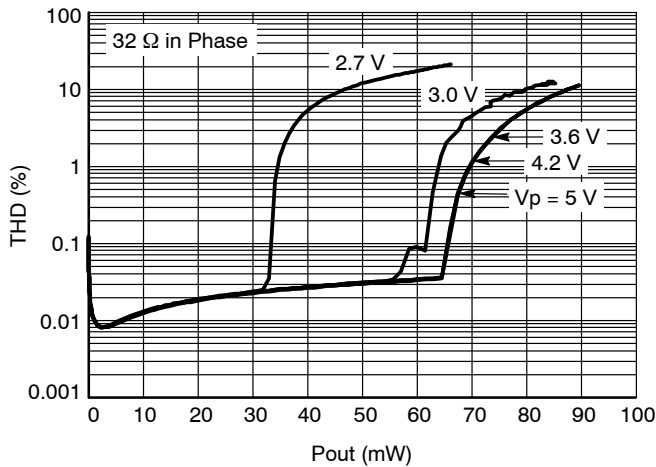


Figure 13. THD+N vs. Pout LEFT

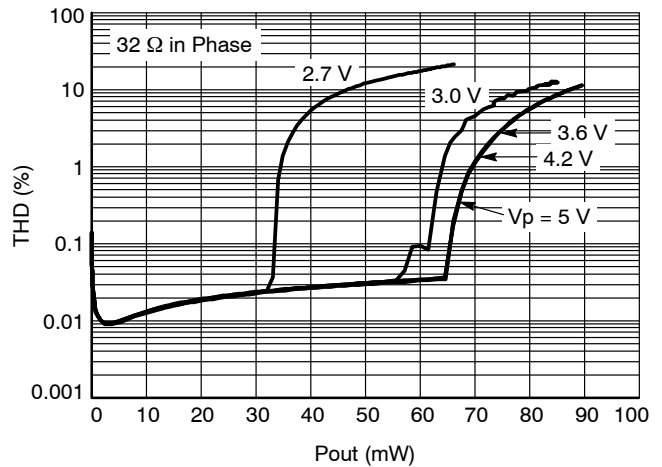


Figure 14. THD+N vs. Pout RIGHT

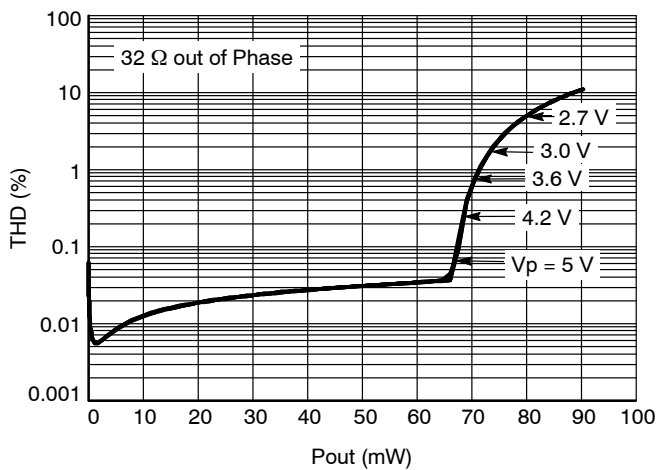


Figure 15. THD+N vs. Pout LEFT

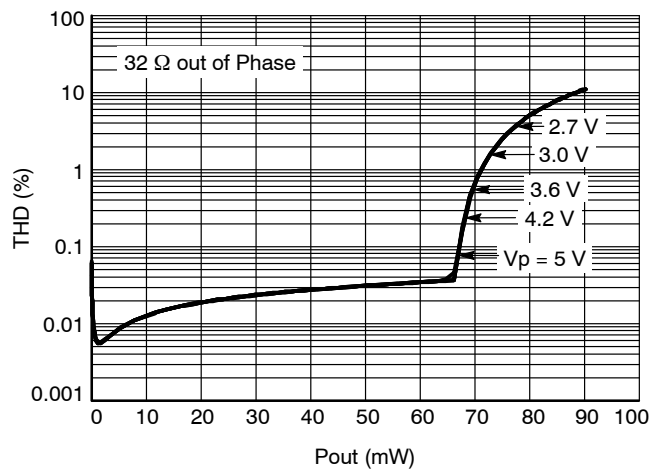


Figure 16. THD+N vs. Pout RIGHT

TYPICAL OPERATING CHARACTERISTICS

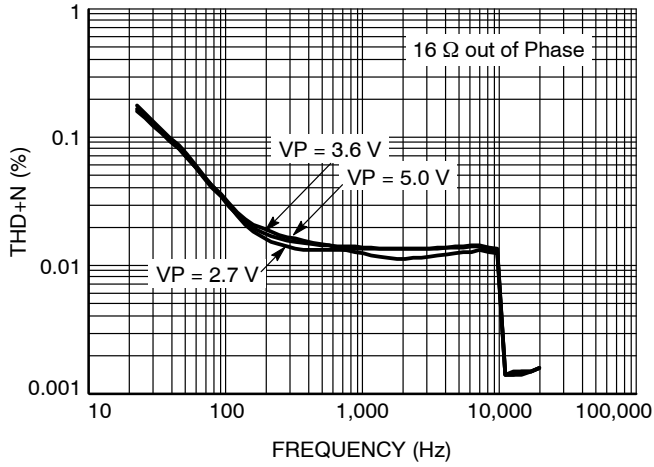


Figure 17. THD vs. Frequency LEFT
@ Pout = 32 mW

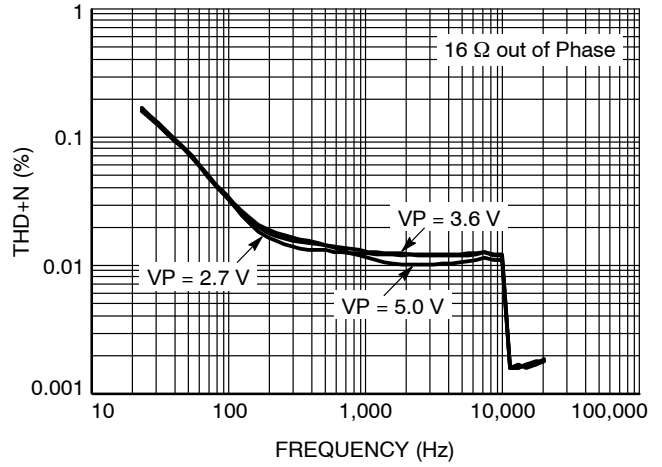


Figure 18. THD vs. Frequency RIGHT
@ Pout = 32 mW

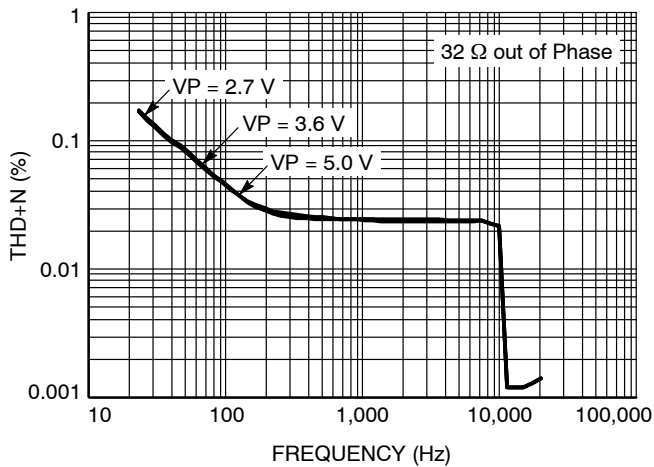


Figure 19. THD vs. Frequency LEFT
@ Pout = 32 mW

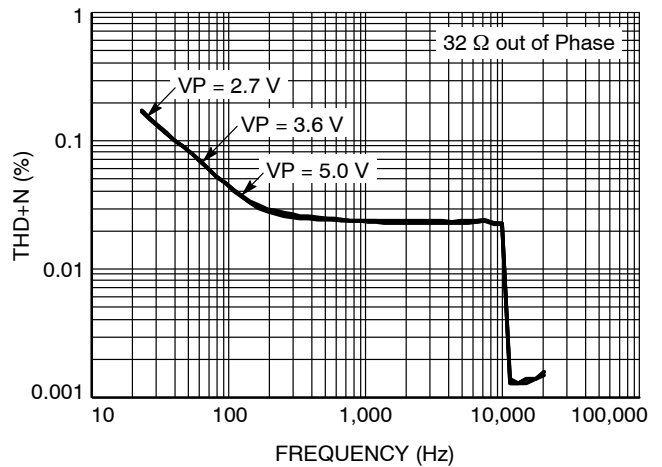


Figure 20. THD vs. Frequency RIGHT
@ Pout = 32 mW

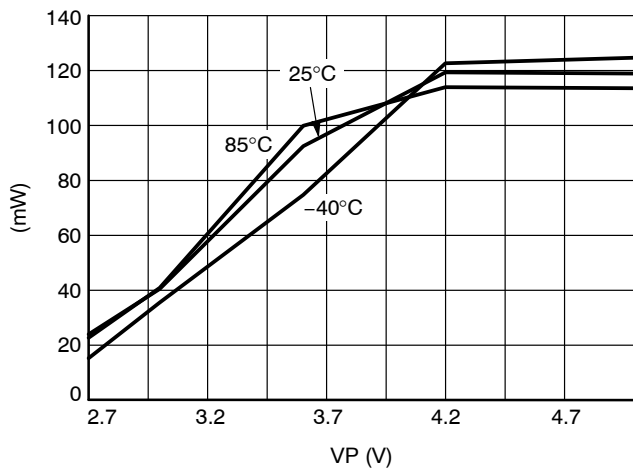


Figure 21. Maximum Output Power LEFT vs.
VP (THD+N < 1%)

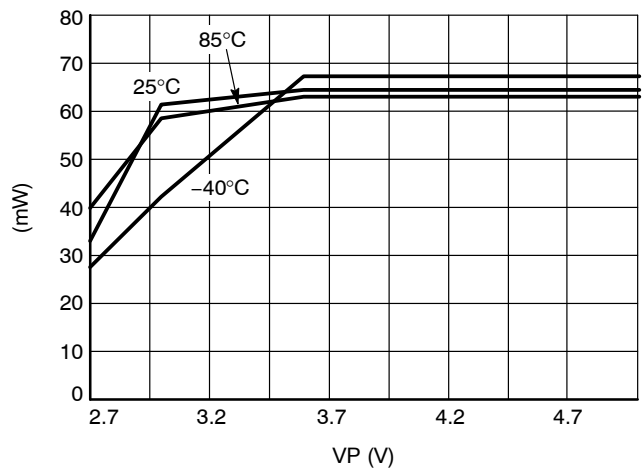


Figure 22. Maximum Output Power LEFT vs.
VP (THD+N < 0.1%)

NCP2811

TYPICAL OPERATING CHARACTERISTICS

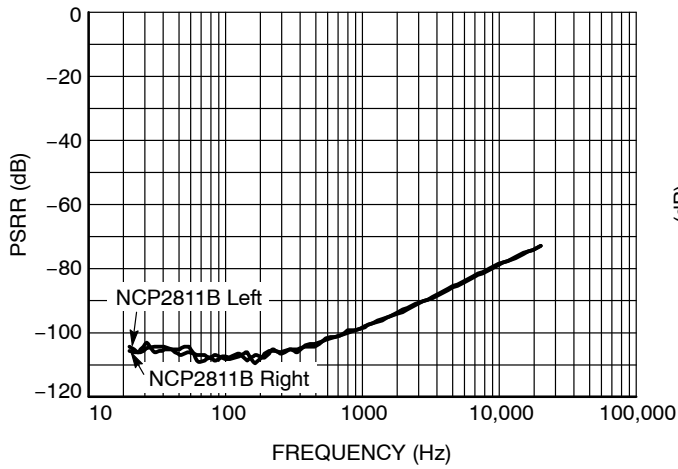


Figure 23. PSRR at $V_p = 3.6\text{ V}$

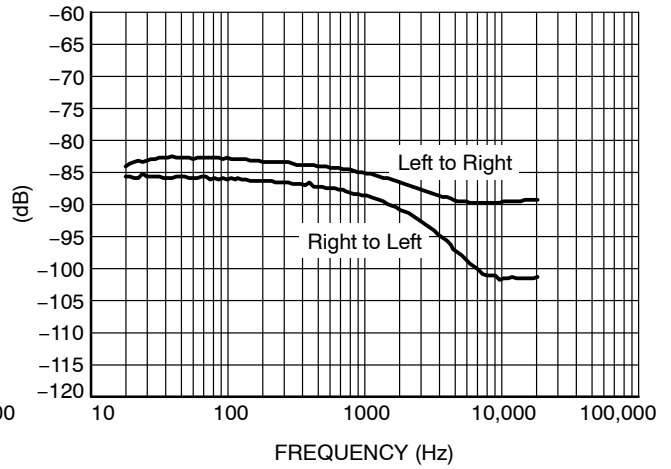


Figure 24. Crosstalk vs. Frequency
@ $V_p = 3.6\text{ V}$

DETAIL OPERATING DESCRIPTION

Detailed Descriptions

The NCP2811 is a stereo headphone amplifier with a true ground architecture. This architecture eliminates the need to use 2 external big capacitors required by conventional headphone amplifier.

The structure of the NCP2811 is basically composed of 2 true ground amplifiers, an UVLO, a short circuit protection and also a thermal shutdown. A special circuitry is embedded to eliminate any pop and click noise that occurs during turn on and turn off time. The A version has an external gain selectable by two resistor, B version has a gain of 1.5 V/V.

NOCAP™

NOCAP™ is a patented architecture which requires only 2 small ceramic capacitors. It generates a symmetrical positive and negative voltage and it allows the output of the amplifiers to be biased around the ground.

Current Limit Protection Circuit

The NCP2811 embed a protection circuitry against short to ground. When an output is shorted to GND and when a signal appears at the input, the current is limited to 300 mA.

Thermal Overload Protection

Internal amplifiers are switched off when the temperature exceed 160°C, and will be switch on again when the temperature decrease below 140°C.

Under Voltage Lockout

When the battery voltage decreases below 2.3 V, the amplifiers are turned off. The hysteresis to turn on it again is 100 mV.

Pop and Click Suppression Circuitry

The NCP2811 includes a special circuitry to eliminate any pop and click noise during turn on and turn off time. Basic amplifier creates an offset during these transitions at the output which give a parasitic noise called “pop and click noise”. The NCP2811 eliminates this problem.

Gain Setting Resistor Selection (R_{in} & R_f, A version only)

R_{in} and R_f set the closed loop gain of the amplifier. A low gain configuration (close to 1) minimizes the THD + noise values and maximizes the signal to noise ratio.

A closed loop gain in the range of 1 to 10 is recommended to optimize overall system performance.

The formula to calculate the gain is:

$$A_v = - \frac{R_f}{R_{in}}$$

Input Capacitor Selection

The input coupling capacitor blocks the DC voltage at the amplifier input terminal. This capacitor creates a high-pass

filter with R_{in} (externally selectable for A version, 20 kΩ for B version).

The size of the capacitor must be large enough to couple in low frequencies without severe attenuation in the audio bandwidth (20 Hz – 20 kHz).

The cut off frequency for the input high-pass filter is:

$$F_c = \frac{1}{2\pi R_{in} C_{in}}$$

A F_c < 20 Hz is recommended.

Charge Pump Capacitor Selection

Use ceramic capacitor with low ESR for better performances. X5R / X7R capacitor is recommended.

The flying capacitor (C2) serves to transfer charge during the generation of the negative voltage.

The CPVM capacitor (C3) must be equal at least to the CFly capacitor to allow maximum transfer charge. The CPVM value must not exceed 1 μF. Higher capacitor value can damage the part.

Table 4 suggests typical value and manufacturer:

Table 4.

| Value | Reference | Package | Manufacturer |
|-------|------------------|---------|--------------|
| 1 μF | C1005X5R0J105K | 0402 | TDK |
| 1 μF | GRM155R60J105K19 | 0402 | Murata |

Lower value of capacitors can be used but the maximum output power is reduced and the device may not operate to specifications.

Power Supply Decoupling Capacitor (C1)

The NCP2811 is a True Ground amplifier which requires the adequate decoupling capacitor to reduce noise and THD+N. Use X5R / X7R ceramic capacitor and place it closed to the CPVDD pin. A value of 1 μF is recommended.

Shutdown Function

The device enters in shutdown mode when shutdown signal is low. During the shutdown mode, the DC quiescent current of the circuit does not exceed 500 nA. In this configuration, the output impedance is 10 kΩ on each output.

Output Resistor for Capacitive Drive Capability

Under normal operation, NCP2811 maximum direct capacitive load is in the 80 pF range. If, for any reason, high value capacitive loads should be connected to NCP2811 outputs, an additional 10 Ω resistor should be placed between the NCP2811 output and the capacitive load to ensure amplifier stability.

Layout Recommendation

Connect C1 as close as possible of the V_p pin.

Connect C2 and C3 as close as possible of the NCP2811.

Route audio signal and AGND far from V_p, CPP, CPM, PVM and PGND to avoid any perturbation due to the switching.

NCP2811

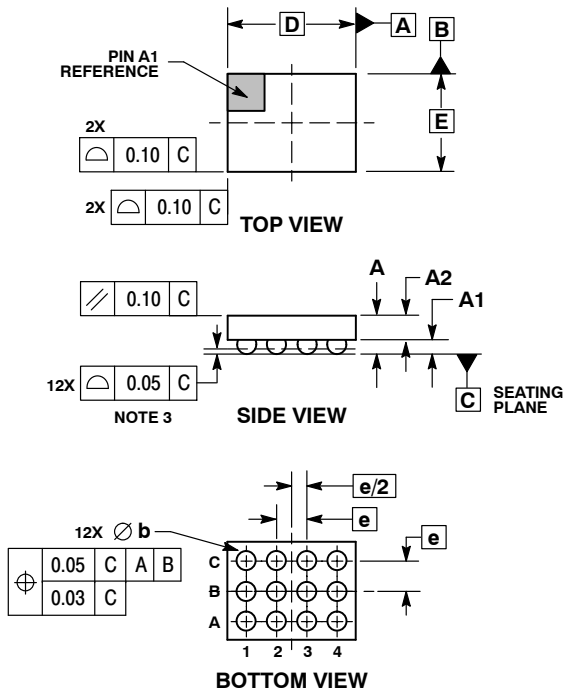
Table 5. ORDERING INFORMATION

| Device | Package | Shipping† |
|----------------|--|------------------|
| NCP2811ADTBR2G | TSSOP-14 (Pb-Free) | 2500/Tape & Reel |
| NCP2811BDTBR2G | TSSOP-14 (Pb-Free) | 2500/Tape & Reel |
| NCP2811AFCT1G | Flip-Chip 12 (Pb-Free) | 3000/Tape & Reel |
| NCP2811BFCT1G | Flip-Chip 12 (Pb-Free) | 3000/Tape & Reel |
| NCP2811BFCCT1G | Flip-Chip 12 (Backside Laminate Coating) (Pb-Free) | 3000/Tape & Reel |
| NCP2811AMTTXG | WQFN12 (Pb-Free) | 3000/Tape & Reel |
| NCP2811BMTTXG | WQFN12 (Pb-Free) | 3000/Tape & Reel |

†For information on tape and reel specifications, including part orientation and tape sizes, please refer to our Tape and Reel Packaging Specifications Brochure, BRD8011/D.

PACKAGE DIMENSIONS

12 PIN FLIP-CHIP, 2.0x1.5, 0.5P CASE 499AZ-01 ISSUE O

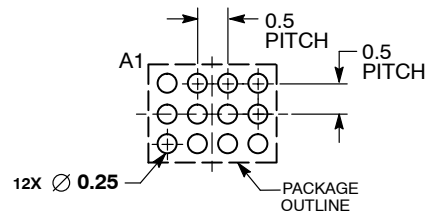


NOTES:

1. DIMENSIONING AND TOLERANCING PER ASME Y14.5M, 1994.
2. CONTROLLING DIMENSION: MILLIMETERS.
3. COPLANARITY APPLIES TO SPHERICAL CROWNS OF SOLDER BALLS.

| DIM | MILLIMETERS | |
|-----|-------------|------|
| | MIN | MAX |
| A | 0.54 | 0.60 |
| A1 | 0.21 | 0.27 |
| A2 | 0.33 | 0.39 |
| b | 0.29 | 0.34 |
| D | 2.00 BSC | |
| E | 1.50 BSC | |
| e | 0.50 BSC | |

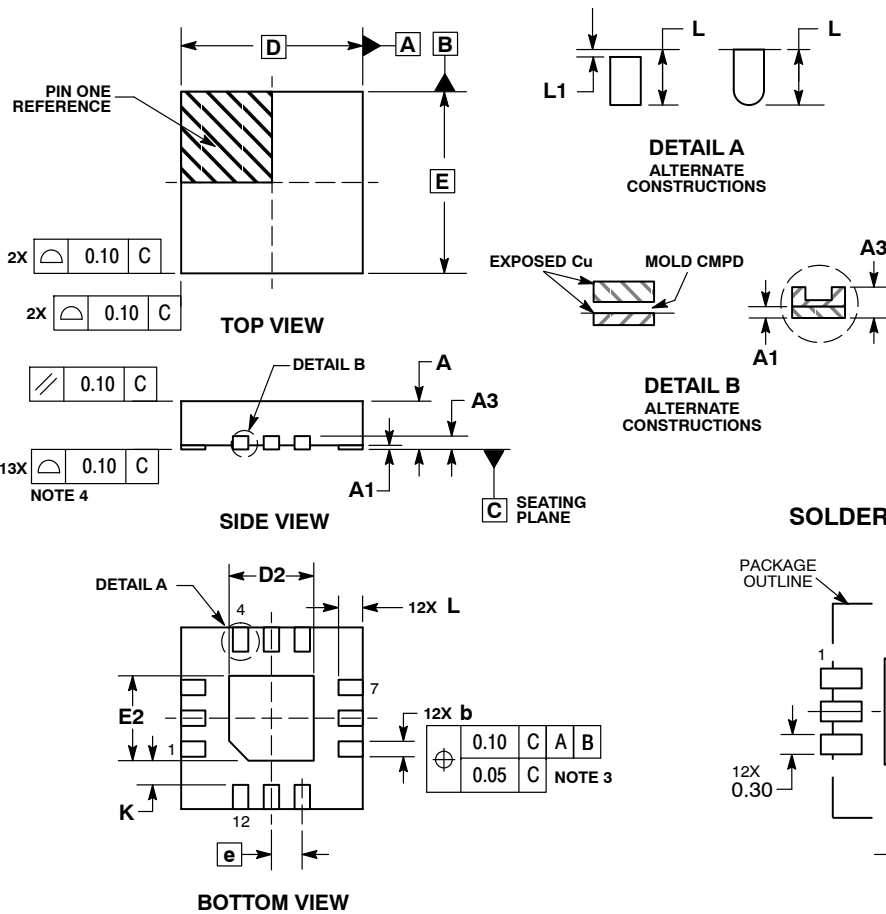
SOLDERING FOOTPRINT*



NCP2811

PACKAGE DIMENSIONS

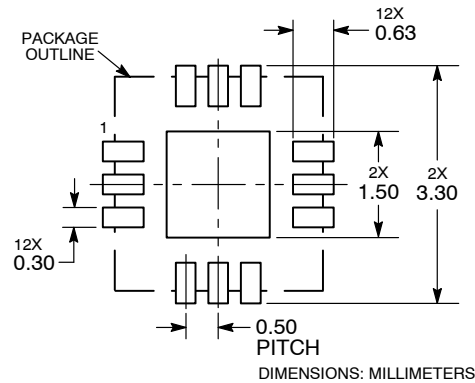
WQFN12 3x3, 0.5P
CASE 510AH-01
ISSUE O



NOTES:

1. DIMENSIONING AND TOLERANCING PER ASME Y14.5M, 1994.
2. CONTROLLING DIMENSION: MILLIMETERS.
3. DIMENSION b APPLIES TO PLATED TERMINAL AND IS MEASURED BETWEEN 0.15 AND 0.30 MM FROM TERMINAL TIP.
4. COPLANARITY APPLIES TO THE EXPOSED PAD AS WELL AS THE TERMINALS.

SOLDERING FOOTPRINT*

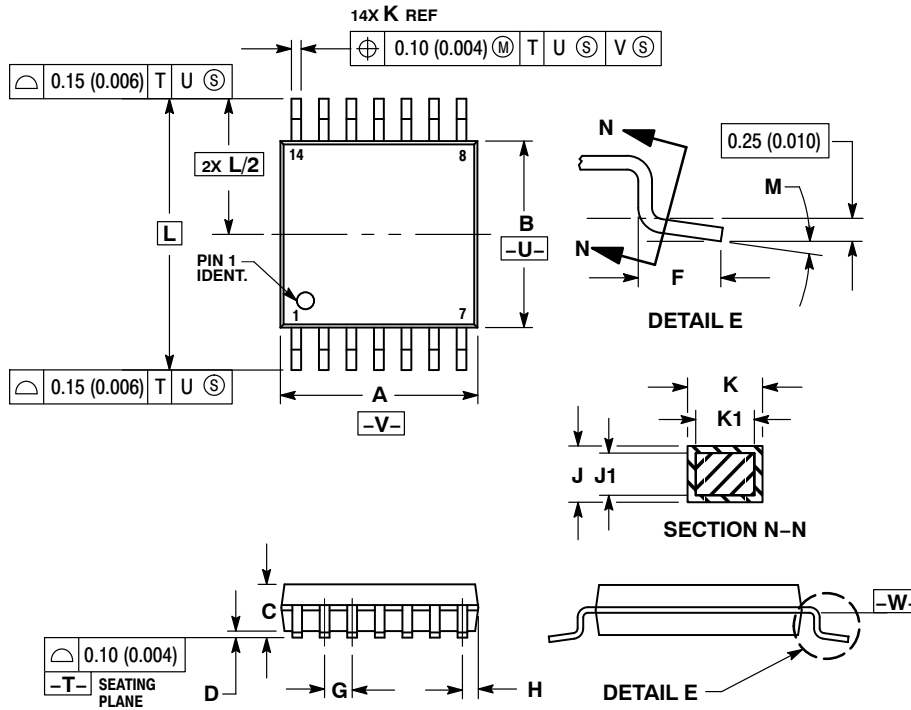


*For additional information on our Pb-Free strategy and soldering details, please download the ON Semiconductor Soldering and Mounting Techniques Reference Manual, SOLDERRM/D.

NCP2811

PACKAGE DIMENSIONS

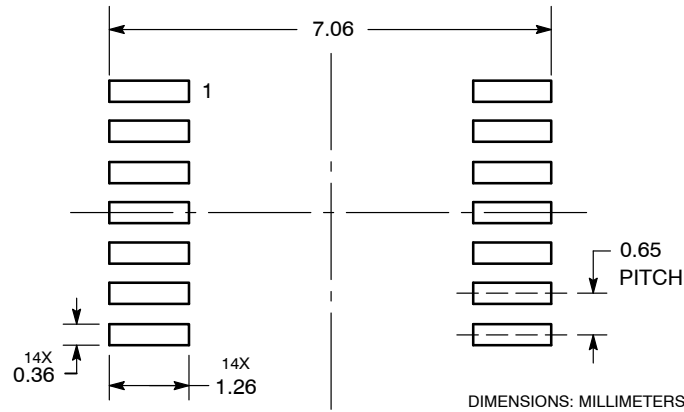
TSSOP-14
CASE 948G-01
ISSUE B



- NOTES:
1. DIMENSIONING AND TOLERANCING PER ANSI Y14.5M, 1982.
 2. CONTROLLING DIMENSION: MILLIMETER.
 3. DIMENSION A DOES NOT INCLUDE MOLD FLASH, PROTRUSIONS OR GATE BURRS. MOLD FLASH OR GATE BURRS SHALL NOT EXCEED 0.15 (0.006) PER SIDE.
 4. DIMENSION B DOES NOT INCLUDE INTERLEAD FLASH OR PROTRUSION. INTERLEAD FLASH OR PROTRUSION SHALL NOT EXCEED 0.25 (0.010) PER SIDE.
 5. DIMENSION K DOES NOT INCLUDE DAMBAR PROTRUSION. ALLOWABLE DAMBAR PROTRUSION SHALL BE 0.08 (0.003) TOTAL IN EXCESS OF THE K DIMENSION AT MAXIMUM MATERIAL CONDITION.
 6. TERMINAL NUMBERS ARE SHOWN FOR REFERENCE ONLY.
 7. DIMENSION A AND B ARE TO BE DETERMINED AT DATUM PLANE -W-.

| DIM | MILLIMETERS | | INCHES | |
|-----|-------------|------|-----------|-------|
| | MIN | MAX | MIN | MAX |
| A | 4.90 | 5.10 | 0.193 | 0.200 |
| B | 4.30 | 4.50 | 0.169 | 0.177 |
| C | --- | 1.20 | --- | 0.047 |
| D | 0.05 | 0.15 | 0.002 | 0.006 |
| F | 0.50 | 0.75 | 0.020 | 0.030 |
| G | 0.65 BSC | | 0.026 BSC | |
| H | 0.50 | 0.60 | 0.020 | 0.024 |
| J | 0.09 | 0.20 | 0.004 | 0.008 |
| J1 | 0.09 | 0.16 | 0.004 | 0.006 |
| K | 0.19 | 0.30 | 0.007 | 0.012 |
| K1 | 0.19 | 0.25 | 0.007 | 0.010 |
| L | 6.40 BSC | | 0.252 BSC | |
| M | 0° | 8° | 0° | 8° |

SOLDERING FOOTPRINT



ON Semiconductor and are registered trademarks of Semiconductor Components Industries, LLC (SCILLC). SCILLC reserves the right to make changes without further notice to any products herein. SCILLC makes no warranty, representation or guarantee regarding the suitability of its products for any particular purpose, nor does SCILLC assume any liability arising out of the application or use of any product or circuit, and specifically disclaims any and all liability, including without limitation special, consequential or incidental damages. "Typical" parameters which may be provided in SCILLC data sheets and/or specifications can and do vary in different applications and actual performance may vary over time. All operating parameters, including "Typicals" must be validated for each customer application by customer's technical experts. SCILLC does not convey any license under its patent rights nor the rights of others. SCILLC products are not designed, intended, or authorized for use as components in systems intended for surgical implant into the body, or other applications intended to support or sustain life, or for any other application in which the failure of the SCILLC product could create a situation where personal injury or death may occur. Should Buyer purchase or use SCILLC products for any such unintended or unauthorized application, Buyer shall indemnify and hold SCILLC and its officers, employees, subsidiaries, affiliates, and distributors harmless against all claims, costs, damages, and expenses, and reasonable attorney fees arising out of, directly or indirectly, any claim of personal injury or death associated with such unintended or unauthorized use, even if such claim alleges that SCILLC was negligent regarding the design or manufacture of the part. SCILLC is an Equal Opportunity/Affirmative Action Employer. This literature is subject to all applicable copyright laws and is not for resale in any manner.

PUBLICATION ORDERING INFORMATION

LITERATURE FULFILLMENT:
Literature Distribution Center for ON Semiconductor
P.O. Box 5163, Denver, Colorado 80217 USA
Phone: 303-675-2175 or 800-344-3860 Toll Free USA/Canada
Fax: 303-675-2176 or 800-344-3867 Toll Free USA/Canada
Email: orderlit@onsemi.com

N. American Technical Support: 800-282-9855 Toll Free USA/Canada
Europe, Middle East and Africa Technical Support:
Phone: 421 33 790 2910
Japan Customer Focus Center
Phone: 81-3-5773-3850

ON Semiconductor Website: www.onsemi.com

Order Literature: <http://www.onsemi.com/orderlit>

For additional information, please contact your local Sales Representative



Компания «ЭлектроПласт» предлагает заключение долгосрочных отношений при поставках импортных электронных компонентов на взаимовыгодных условиях!

Наши преимущества:

- Оперативные поставки широкого спектра электронных компонентов отечественного и импортного производства напрямую от производителей и с крупнейших мировых складов;
- Поставка более 17-ти миллионов наименований электронных компонентов;
- Поставка сложных, дефицитных, либо снятых с производства позиций;
- Оперативные сроки поставки под заказ (от 5 рабочих дней);
- Экспресс доставка в любую точку России;
- Техническая поддержка проекта, помощь в подборе аналогов, поставка прототипов;
- Система менеджмента качества сертифицирована по Международному стандарту ISO 9001;
- Лицензия ФСБ на осуществление работ с использованием сведений, составляющих государственную тайну;
- Поставка специализированных компонентов (Xilinx, Altera, Analog Devices, Intersil, Interpoint, Microsemi, Aeroflex, Peregrine, Syfer, Eurofarad, Texas Instrument, Miteq, Cobham, E2V, MA-COM, Hittite, Mini-Circuits, General Dynamics и др.);

Помимо этого, одним из направлений компании «ЭлектроПласт» является направление «Источники питания». Мы предлагаем Вам помощь Конструкторского отдела:

- Подбор оптимального решения, техническое обоснование при выборе компонента;
- Подбор аналогов;
- Консультации по применению компонента;
- Поставка образцов и прототипов;
- Техническая поддержка проекта;
- Защита от снятия компонента с производства.



Как с нами связаться

Телефон: 8 (812) 309 58 32 (многоканальный)

Факс: 8 (812) 320-02-42

Электронная почта: org@eplast1.ru

Адрес: 198099, г. Санкт-Петербург, ул. Калинина, дом 2, корпус 4, литера А.