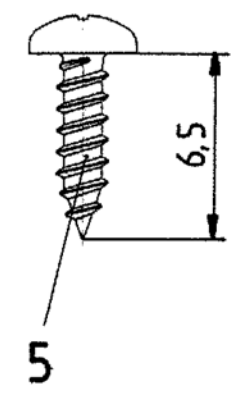
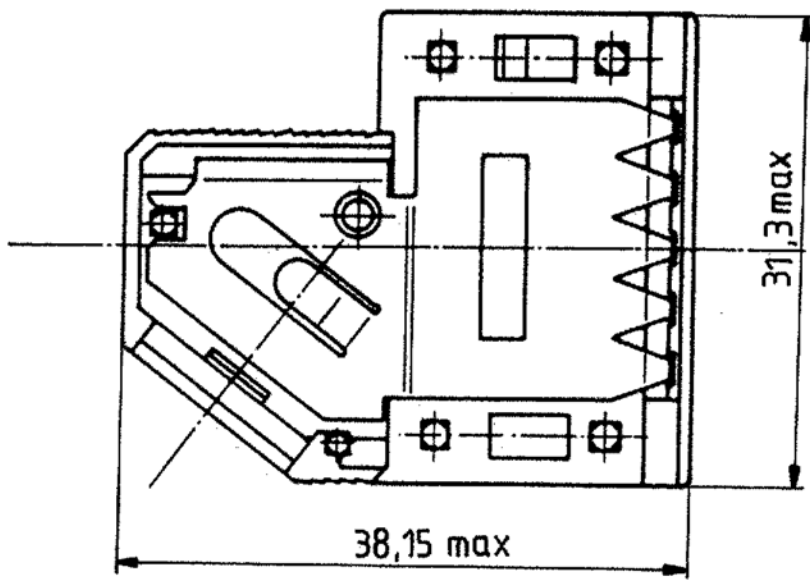
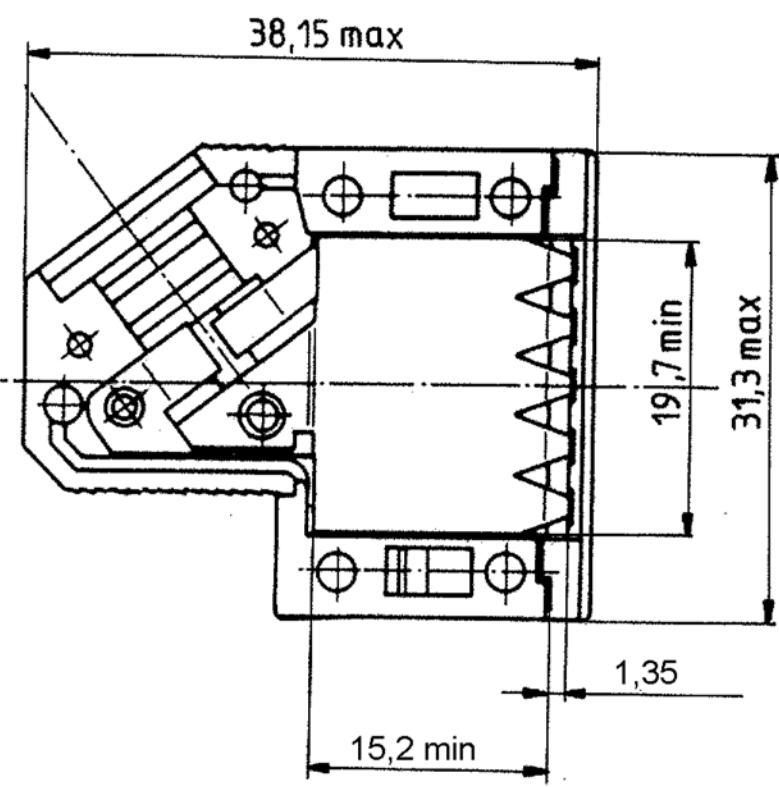
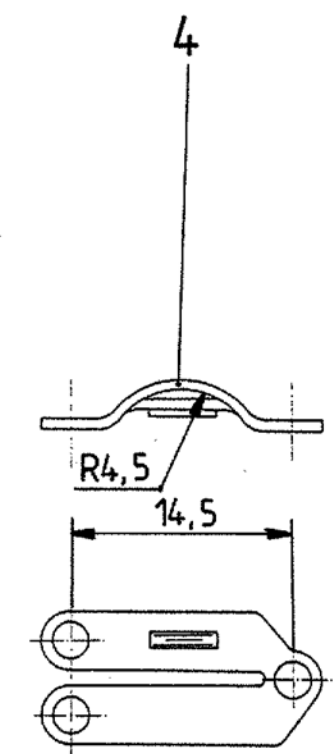
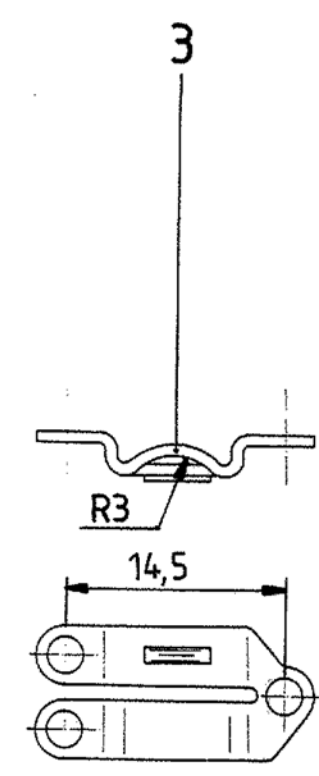
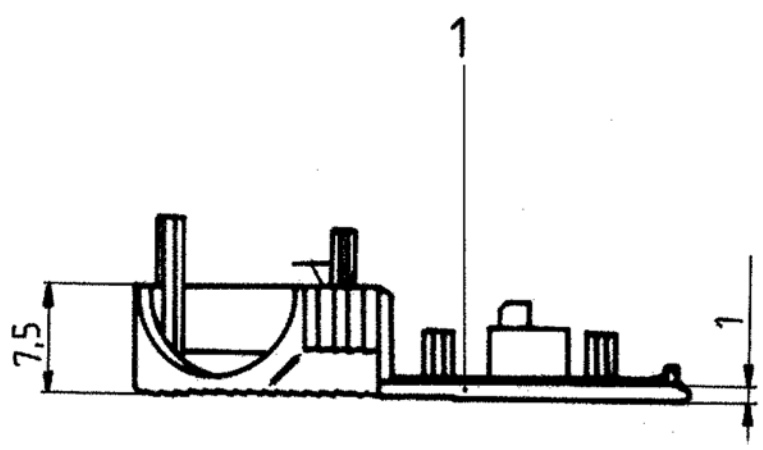
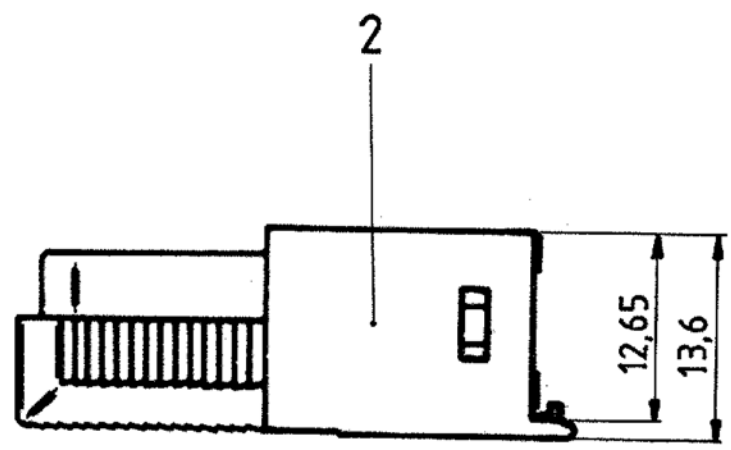


Sin nuestra autorización, queda terminantemente prohibida la reproducción total o parcial de este documento, así como su uso indebido y/o su exhibición o comunicación a terceros. De los infractores se exigirá el correspondiente resarcimiento de daños y perjuicios. Se reserva todos los derechos para el caso de la concesión de patente de invención o el registro de Modelo Industrial.

Weitergabe sowie Vervielfältigung dieser Unterlage, Verwertung und Mitteilung ihres Inhalts sind nicht gestattet, soweit nicht ausdrücklich zugestanden. Zuwiderhandlungen verpflichten zu Schadenersatz. Alle Rechte für den Fall der Patenterteilung oder GM-Eintragung vorbehalten.

Copying of this document, and giving it to others and the use or communication of the contents thereof, are forbidden without express authority. Offenders are liable to the payment of damages. All rights are reserved in the event of the grant of a patent or the registration of a utility model or design.



1 FOR PLASTIC PARTS (POS. 1 AND 2):
 - LENGTHS: DIN 16901/130,
 - ANGLES, FORMS: DIN 7168-m, R,
 FOR METAL PARTS (POS. 3 AND 4): DIN 7168-m,
 FOR SCREWS (POS. 5 AND 6): DIN 7981 F-H.

P/N 9 contacts version: V42254-A6000-G*09

	Maßstab	
	Datum: 30.08.88 Bearb: De Petter Geor: PD Com P&SE Norm:	
	D-Sub housing shielded 9 contacts	

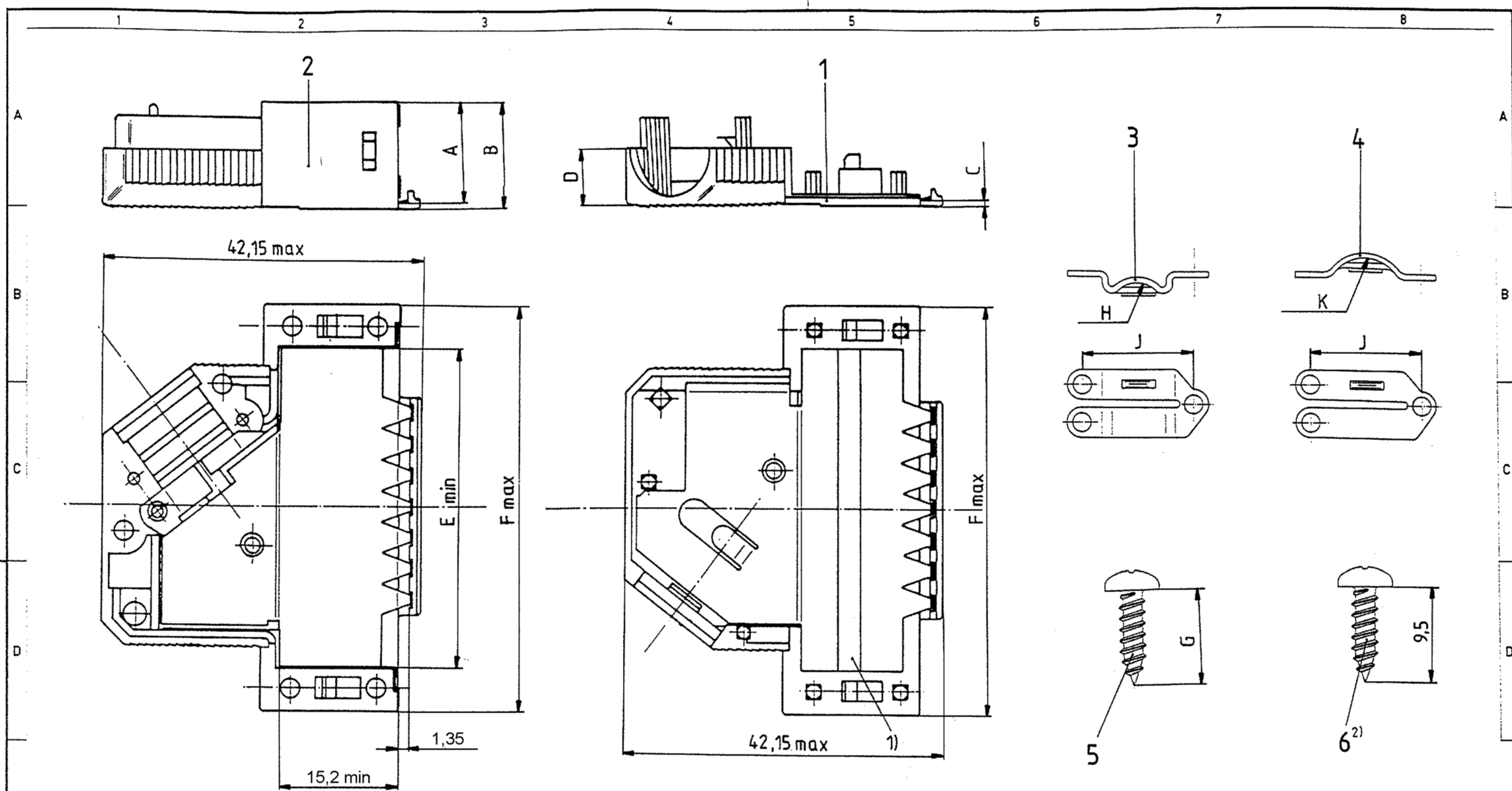
D	ECO-12-017358	22JAN13	CWR
C	ECO-12-008266	28AUG12	CWR
Zust	Mitteilung	Datum	Name

TOLERANCES UNLESS OTHERWISE SPECIFIED:		page
V42254-A6000-G***-*-27		1+
customer drawing number: C 1393738-1		of 6

Si esta copia o versión autorizada queda permanentemente prohibida la reproducción total o parcial de este documento, así como su uso indebido y/o su exhibición o comunicación a terceros. De los infractores se exigirá el correspondiente resarcimiento de daños y perjuicios. Se reserva todos los derechos para el caso de la concesión de patente de invención o el registro de Modelo Industrial.

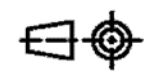


Weitergabe sowie Vervielfältigung dieses Unterbauelementes und Mitteilung ihres Inhalts ist nicht gestattet, soweit nicht ausdrücklich zugestanden. Zuwiderhandlung kann strafrechtliche Konsequenzen nach geltendem Recht nach sich ziehen. Alle Rechte vorbehalten. Alle Rechte vorbehalten. Fall der Patenterteilung oder GM Untertaugung vorbehalten.

Copying of this document and opening it to others and the use or communication of the contents thereof are forbidden without express authority. Offenders are liable to the payment of damages. All rights are reserved in the event of the grant of a patent or the registration of a utility model or design.



housing		dimension									
P/N	No. of contacts	A	B	C	D	E	F	G	H	J	K
V42254-A6000-											
G × 15	15				28	39,62			R3	14,5	R4,5
G × 25	25	13	14	1	7,5	41,8	53,52	6,5	R4	16	R5,5
G × 37	37				58,25	69,8					
G × 50	50	16	17,5	1,5	9,5	55,78	67,41	9,5	R5,5	20,6	R7

2) only for the 37 contacts version
 1) tape only for the 15 to 37 contacts versions
 drawn is the 25 contacts version

				Maßstab	
				TE Connectivity	
		Datum: 30.08.88 Bearb. De Petter Gepr. PD Com P&SE Norm.:		D-Sub housing shielded 15 to 50 contacts	
		TOLERANCES UNLESS OTHERWISE SPECIFIED:		V42254-A6000-G***-*-27	
		D SEE SHEET 1		page 2+	
		Zust. Mitteilung Datum Name		customer drawing number: C 1393738-1	
				of 6	

V 4 2 2 5 4 - A 6 0 0 * - G * * *

Housing type

G plastic housing, shielded

Marking and colour of the housing

- 1 TE-marking, grey
- 2 without marking, grey
- 3 TE-marking, black
- 4 without marking, black

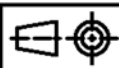
wire diameter	No. of contacts - housing size						
	0	1	2	3	4		
9-14,5	4-8	4-6	6-8		4-8	09	9 contact - housing size 1
6-11	5-10	5-8	8-10		5-10	15	15 contacts - housing size 2
9-14,5	5-11	5-8,5	8,5-1		5-11	25	25 contacts - housing size 3
6-11	6-8		10-11		6-11	37	37 contacts - housing size 4
9-14,5	9-12	12-14,5			9-14,5	50	50 contacts - housing size 5

Packaging

set 1)	200	200	200	200	200	1) per set, in blister - 9 and 15 contacts : 25 - 25, 37 and 50 contacts : 15
2)	200	200	200	200	200	2) loose pieces, in cardboard : 200



TE Connectivity



LOC DIMENSIONS IN MM

SCALE WEIGHT

MATERIAL

DATE 30.08.88

NAME De Petter

DEP. PD Com P&SE

EC

TOLERANCE UNLESS SPECIFIED OTHERWISE

NAME

D-Sub Housing

shielded

DWG NO. SHT. 3+

V42254-A6000-G***-*-27

REV. CHANGE ORDER DATE APP. customer drawing number: C 1393738-1 OF 6

THIS INFORMATION IS CONFIDENTIAL AND PROPRIETARY TO TYCO ELECTRONICS CORPORATION AND ITS WORLDWIDE SUBSIDIARIES AND AFFILIATES. IT MAY NOT BE DISCLOSED TO ANYONE, OTHER THAN TYCO ELECTRONICS PERSONNEL, WITHOUT WRITTEN AUTHORIZATION FROM TYCO ELECTRONICS CORPORATION, HARRISBURG, PENNSYLVANIA USA.

PROPRIETARY:

1

2

3

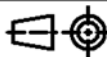
4

Active part numbers. Contact
Tyco Electronics for
other configuration availability

Old Part Number	TE Part Number	
V42254-A6000-G109	1393738-1	
V42254-A6000-G115	1393738-2	
V42254-A6000-G125	1393738-3	
V42254-A6000-G137	1393738-4	
V42254-A6000-G150	1393738-5	
V42254-A6000-G209	1393738-6	OBSOLETE
V42254-A6000-G309	1393738-7	OBSOLETE
V42254-A6000-G315	1393738-8	OBSOLETE
V42254-A6000-G325	1393738-9	SUPERSEDED BY 1393738-1
V42254-A6001-G109	4-1393738-2	OBSOLETE
V42254-A6001-G125	4-1393738-4	SUPERSEDED BY 6-1393738-1
V42254-A6001-G309	4-1393738-5	SUPERSEDED BY 1-1393739-9
V42254-A6001-G315	4-1393738-6	SUPERSEDED BY 6-1393738-7
V42254-A6002-G109	5-1393738-0	OBSOLETE
V42254-A6002-G125	5-1393738-2	SUPERSEDED BY 6-1393738-1
V42254-A6003-G137	5-1393738-7	SUPERSEDED BY 6-1393738-2
V42254-A6004-G109	5-1393738-9	
V42254-A6004-G115	6-1393738-0	
V42254-A6004-G125	6-1393738-1	
V42254-A6004-G137	6-1393738-2	
V42254-A6004-G150	6-1393738-3	
V42254-A6004-G209	6-1393738-4	SUPERSEDED BY 5-1393738-9
V42254-A6004-G215	6-1393738-5	OBSOLETE
V42254-A6004-G225	6-1393738-6	OBSOLETE
V42254-A6004-G309	1-1393739-9	OBSOLETE
V42254-A6004-G315	6-1393738-7	OBSOLETE
V42254-A6004-G325	2-1393739-0	OBSOLETE
V42254-A6004-G337	2-1393739-1	SUPERSEDED BY 6-1393738-2
V42254-A6004-G350	2-1393739-2	SUPERSEDED BY 6-1393738-3
V42254-A6004-G409	6-1393738-8	OBSOLETE
V42254-A6004-G415	6-1393738-9	OBSOLETE
V42254-A6004-G437	7-1393738-1	OBSOLETE



TE Connectivity


 LOC
GW DIMENSIONS
IN MM

SCALE

WEIGHT

MATERIAL

DATE 30.08.88

NAME

NAME De Petter

D-Sub Housing

DEP. PD Com P&SE

shielded

EC

TOLERANCE UNLESS
SPECIFIED OTHERWISE

DWG NO.

SHT. 4+

V42254-A6000-G***-*-27

D SEE SHEET 1.

REV. CHANGE ORDER

DATE

APP.

Customer Drawing: C 1393738-1

OF 6

1

2

3

4

 THIS INFORMATION IS CONFIDENTIAL AND PROPRIETARY TO TYCO ELECTRONICS CORPORATION AND ITS WORLDWIDE
 SUBSIDIARIES AND AFFILIATES. IT MAY NOT BE DISCLOSED TO ANYONE, OTHER THAN TYCO ELECTRONICS PERSONNEL,
 WITHOUT WRITTEN AUTHORIZATION FROM TYCO ELECTRONICS CORPORATION, HARRISBURG, PENNSYLVANIA USA.

PROPRIETARY:


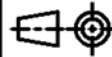
PROPRIETARY: THIS INFORMATION IS CONFIDENTIAL AND PROPRIETARY TO TYCO ELECTRONICS CORPORATION AND ITS WORLDWIDE SUBSIDIARIES AND AFFILIATES. IT MAY NOT BE DISCLOSED TO ANYONE, OTHER THAN TYCO ELECTRONICS PERSONNEL, WITHOUT WRITTEN AUTHORIZATION FROM TYCO ELECTRONICS CORPORATION, HARRISBURG PENNSYLVANIA USA

V 4 2 2 5 4 - A 6 1 * * - L 1

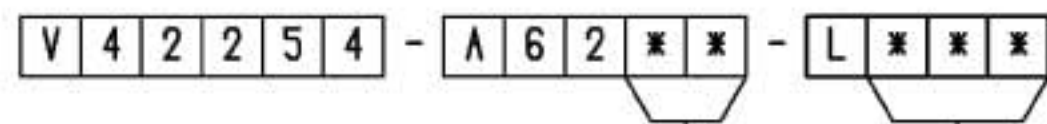
Technical data		
	contact tube outer diameter ±0.1	for shield braiding outer diameter
04	4	2.0 to 2.7
05	5	2.8 to 3.7
06	6	3.8 to 4.7
07	7	4.8 to 5.7
08	8	5.8 to 6.7
09	9	6.8 to 7.7
10	10	7.8 to 8.7
11	11	8.8 to 9.7
12	12	9.8 to 10.7
13	13	10.8 to 11.7
14	14	11.8 to 12.7
15	15	12.8 to 13.7

Active part numbers. Contact Tyco Electronics for other configuration availability

Old Part Number	TE Part Number	
V42254-A6104-L1	3-1393561-2	OBSOLETE
V42254-A6105-L1	3-1393561-3	
V42254-A6106-L1	3-1393561-4	
V42254-A6107-L1	3-1393561-5	
V42254-A6108-L1	3-1393561-6	
V42254-A6109-L1	3-1393561-9	
V42254-A6110-L1	4-1393561-0	
V42254-A6111-L1	4-1393561-1	OBSOLETE
V42254-A6112-L1	4-1393561-2	
V42254-A6113-L1	4-1393561-3	OBSOLETE
V42254-A6114-L1	4-1393561-4	OBSOLETE
V42254-A6115-L1	5-1393502-9	OBSOLETE

APPLICABLE SPEC.:				FINISH			
 TE Connectivity				DIMENSIONS APPLY		PLATING	
				SCALE		WEIGHT	
 DIMENSIONS IN MM				MATERIAL			
DATE: 30.08.88 NAME: De Petter DEP.: PD Com P&SE EC				NAME: D-Sub Housing accessories: contact tubes			
TOLERANCE UNLESS SPECIFIED OTHERWISE				DWG NO.: V42254-A6000-G***-*-27		SHT. 5+	
REV. D SEE SHEET 1 CHANGE ORDER				customer drawing number: C 1393738-1			
						OF 6	

PROPRIETARY: THIS INFORMATION IS CONFIDENTIAL AND PROPRIETARY TO TYCO ELECTRONICS CORPORATION AND ITS WORLDWIDE SUBSIDIARIES AND AFFILIATES. IT MAY NOT BE DISCLOSED TO ANYONE, OTHER THAN TYCO ELECTRONICS PERSONNEL, WITHOUT WRITTEN AUTHORIZATION FROM TYCO ELECTRONICS CORPORATION, HARRISBURG PENNSYLVANIA USA



		Technical Data	
		bushing inner diameter ±0.2	cable outer diameter
00	1)2)	/	/
05	3)	5	4.2 to 4.9
06	3)	6	5.0 to 5.9
07	3)	7	6.0 to 6.9
08	3)	8	7.0 to 7.9
09	3)	9	8.0 to 8.9
10	2)	10	9.0 to 9.9
11	2)	11	10.0 to 10.9
12	4)	12	11.0 to 11.9
13	4)	13	12.0 to 12.9
14	4)	14	13.0 to 13.9
15	4)	15	14.0 to 14.9

	contacts	colour
1	9 to 37	grey
50	50	grey
100	9 to 37	black
150	50	black

Active part numbers. Contact Tyco Electronics for other configuration availability

Old Part Number	TE Part Number	
V42254-A6200-L 1	4-1393561-5	OBSOLETE
V42254-A6200-L 50	4-1393561-6	
V42254-A6200-L100	5-1393502-1	OBSOLETE
V42254-A6200-L150	5-1393502-2	OBSOLETE
V42254-A6205-L 1	4-1393561-7	
V42254-A6205-L100	4-1393561-8	
V42254-A6206-L 1	4-1393561-9	
V42254-A6206-L100	5-1393561-0	
V42254-A6207-L 1	5-1393561-1	
V42254-A6207-L100	5-1393561-4	OBSOLETE
V42254-A6208-L 1	5-1393561-5	
V42254-A6208-L100	5-1393561-6	OBSOLETE
V42254-A6209-L 1	5-1393561-7	
V42254-A6209-L100	5-1393561-8	
V42254-A6210-L 1	5-1393561-9	
V42254-A6210-L 50	6-1393561-0	OBSOLETE
V42254-A6210-L100	6-1393561-1	OBSOLETE
V42254-A6210-L150	5-1393502-3	OBSOLETE
V42254-A6211-L 1	6-1393561-2	
V42254-A6211-L 50	6-1393561-3	OBSOLETE
V42254-A6211-L100	5-1393502-4	OBSOLETE
V42254-A6211-L150	5-1393502-5	OBSOLETE
V42254-A6212-L 50	6-1393561-4	OBSOLETE
V42254-A6212-L150	5-1393502-6	OBSOLETE
V42254-A6213-L 50	6-1393561-5	OBSOLETE
V42254-A6213-L150	5-1393502-7	OBSOLETE
V42254-A6214-L 50	6-1393561-6	OBSOLETE
V42254-A6214-L150	5-1393502-8	OBSOLETE
V42254-A6215-L 50	8-1393501-5	OBSOLETE
V42254-A6215-L150	6-1393561-7	OBSOLETE

- 4) only for 50 contacts
- 3) only for 9 to 37 contacts
- 2) for 9 to 50 contacts
- 1) Blank bushing

APPLICABLE SPEC.				FINISH					
				DIMENSIONS APPLY		PLATING			
				SCALE		WEIGHT			
				MATERIAL					
DATE: 30.08.88 NAME: De Petter DEP.: PD Com P&SE EC				NAME: D-Sub Housing					
TOLERANCE UNLESS SPECIFIED OTHERWISE				accessories: cable bushings					
D SEE SHEET 1				DWG NO. V42254-A6000-G***-*-27				SHT. 6	
REV. CHANGE ORDER				DATE				APP. customer drawing number: C 1393738-1	OF 6



Компания «ЭлектроПласт» предлагает заключение долгосрочных отношений при поставках импортных электронных компонентов на взаимовыгодных условиях!

Наши преимущества:

- Оперативные поставки широкого спектра электронных компонентов отечественного и импортного производства напрямую от производителей и с крупнейших мировых складов;
- Поставка более 17-ти миллионов наименований электронных компонентов;
- Поставка сложных, дефицитных, либо снятых с производства позиций;
- Оперативные сроки поставки под заказ (от 5 рабочих дней);
- Экспресс доставка в любую точку России;
- Техническая поддержка проекта, помощь в подборе аналогов, поставка прототипов;
- Система менеджмента качества сертифицирована по Международному стандарту ISO 9001;
- Лицензия ФСБ на осуществление работ с использованием сведений, составляющих государственную тайну;
- Поставка специализированных компонентов (Xilinx, Altera, Analog Devices, Intersil, Interpoint, Microsemi, Aeroflex, Peregrine, Syfer, Eurofarad, Texas Instrument, Miteq, Cobham, E2V, MA-COM, Hittite, Mini-Circuits, General Dynamics и др.);

Помимо этого, одним из направлений компании «ЭлектроПласт» является направление «Источники питания». Мы предлагаем Вам помощь Конструкторского отдела:

- Подбор оптимального решения, техническое обоснование при выборе компонента;
- Подбор аналогов;
- Консультации по применению компонента;
- Поставка образцов и прототипов;
- Техническая поддержка проекта;
- Защита от снятия компонента с производства.



Как с нами связаться

Телефон: 8 (812) 309 58 32 (многоканальный)

Факс: 8 (812) 320-02-42

Электронная почта: org@eplast1.ru

Адрес: 198099, г. Санкт-Петербург, ул. Калинина, дом 2, корпус 4, литера А.