



## PORTBLE CONSUMER DEVICE LOWER-POWER, HIGH-FIDELITY, CLASS-D AMPLIFIER

# ACS32201

The ACS32201 is a low-power, high-fidelity Class-D amplifier targeted at portable applications such as tablet computers, personal navigation devices, portable projectors and speaker docks. Built-in audio processing and a DDX™ Class-D digital speaker amplifier provide high fidelity audio for portable systems with enriched “audio presence”.

### TARGET APPLICATIONS

- **Tablet Computers**
- **Portable Navigation Devices**
- **Personal Media Players**
- **Portable Projectors**
- **Speaker Docks**

### FEATURES

- **Filterless Stereo DDX™ Class D Speaker Driver**
  - 1.75W/channel (8Ω) or 3W/channel (4Ω)
  - Tri-state DDX™ Class D achieves low EMI and high efficiency
  - >80% efficiency at 1W
  - Spread spectrum support for reduced EMI output power mode
  - Anti-Pop circuitry
- **Built in audio controls and processing**
  - 3D stereo enhancement
  - Dual (cascaded) stereo 6-band parametric equalizers
  - Programmable Compressor/Limiter/Expander
  - Psychoacoustic Bass and Treble enhancement processing
- **I2S data interface**
- **Low power with built in power management**
  - Very low standby and no-signal power consumption
  - 1.8V digital / 1.7V analog supply for low power
- **2-wire (I<sup>2</sup>C compatible) control interface**
- **Package Options**
  - 36-pin single row 5x5 mm HLA package
  - 68-pin dual row 6x6 mm TLA package



DDX™ and the DDX logo are trademarks of Apogee Technology.

**TABLE OF CONTENTS**

**1. OVERVIEW ..... 7**

    1.1. Block Diagrams .....7

    1.2. Audio Outputs .....7

**2. POWER MANAGEMENT ..... 8**

    2.1. Control Registers .....8

    2.2. Stopping the Master Clock .....8

**3. OUTPUT AUDIO PROCESSING ..... 9**

    3.1. DC Removal .....9

    3.2. Volume Control .....10

    3.3. Digital DAC Volume Control .....11

    3.4. Parametric Equalizer .....11

        3.4.1. Prescaler & Equalizer Filter .....11

        3.4.2. EQ Registers .....12

        3.4.3. Equalizer, Bass, Treble Coefficient & Equalizer Prescaler RAM .....14

    3.5. Gain and Dynamic Range Control .....17

    3.6. Limiter .....17

    3.7. Compressor .....18

        3.7.1. Configuration .....19

        3.7.2. Controlling parameters .....19

        3.7.3. Overview .....20

        3.7.4. Limiter/Compressor Registers .....22

        3.7.5. Expander Registers .....24

    3.8. Output Effects .....25

    3.9. Stereo Depth (3-D) Enhancement .....25

    3.10. Psychoacoustic Bass Enhancement .....26

    3.11. Treble Enhancement .....26

    3.12. Mute and De-Emphasis .....26

    3.13. Mono Operation and Phase Inversion .....26

        3.13.1. DAC Control Register .....26

    3.14. Analog Outputs .....27

        3.14.1. Speaker Outputs .....27

        3.14.2. Class D Audio Processing .....27

    3.15. Other Output Capabilities .....33

        3.15.1. Audio Output Control .....33

        3.15.2. Speaker Enable .....33

        3.15.3. Speaker Operation .....34

    3.16. Thermal Shutdown .....34

        3.16.1. Algorithm description: .....34

        3.16.2. Thermal Trip Points .....35

        3.16.3. Instant Cut Mode .....35

        3.16.4. Short Circuit Protection .....35

        3.16.5. Thermal Shutdown Registers .....36

**4. DIGITAL AUDIO AND CONTROL INTERFACES ..... 38**

    4.1. Data Interface .....38

    4.2. Master and Slave Mode Operation .....38

    4.3. Audio Data Formats .....39

    4.4. Left Justified Audio Interface .....39

    4.5. Right Justified Audio Interface (assuming n-bit word length) .....39

    4.6. I2S Format Audio Interface .....40

    4.7. Data Interface Registers .....40

        4.7.1. Audio Data Format Control Register .....40

        4.7.2. Audio Interface Output Tri-state .....41

        4.7.3. Audio Interface Control 3 Register .....41

    4.8. Bit Clock Mode .....41

    4.9. Control Interface .....42

        4.9.1. Register Write Cycle .....42

        4.9.2. Multiple Write Cycle .....43

# ACS32201

## LOWER-POWER, HIGH-FIDELITY, CLASS-D AMPLIFIER

---

|   |           |
|---|-----------|
| 4.9.3. Register Read Cycle .....  | 43        |
| 4.9.4. Multiple Read Cycle .....  | 43        |
| 4.9.5. Device Addressing and Identification .....                       | 44        |
| <b>5. AUDIO CLOCK GENERATION .....</b>                                  | <b>45</b> |
| 5.1. Internal Clock Generation (ACLK) .....                             | 45        |
| 5.1.1. External MCLK .....  | 45        |
| 5.2. ACLK Clocking and Sample Rates .....                               | 45        |
| <b>6. CHARACTERISTICS .....</b>   | <b>47</b> |
| 6.1. Electrical Specifications .....                                    | 47        |
| 6.1.1. Absolute Maximum Ratings .....                                   | 47        |
| 6.1.2. Recommended Operating Conditions .....                           | 47        |
| 6.2. Device Characteristics .....                                       | 48        |
| 6.3. PLL Electrical Characteristics .....                               | 49        |
| <b>7. REGISTER MAP .....</b>  | <b>50</b> |
| <b>8. PIN INFORMATION .....</b>   | <b>52</b> |
| 8.1. ACS32201 TAG/TLA Pin Diagram .....                                 | 52        |
| 8.2. ACS32201 NAG/HLA Pin Diagram .....                                 | 53        |
| 8.3. ACS32201 TAG Pin Tables .....                                      | 54        |
| 8.3.1. ACS32201 TAG Power Pins .....                                    | 54        |
| 8.3.2. ACS32201 TAG Reference Pins .....                                | 54        |
| 8.3.3. ACS32201 TAG Analog Output Pins .....                            | 54        |
| 8.3.4. ACS32201 TAG Data and Control Pins .....                         | 55        |
| 8.3.5. ACS32201 TAG Clock Pins .....                                    | 55        |
| 8.4. ACS32201 NAG Pin Tables .....                                      | 56        |
| 8.4.1. ACS32201 NAG Power Pins .....                                    | 56        |
| 8.4.2. ACS32201 NAG Reference Pins .....                                | 56        |
| 8.4.3. ACS32201 NAG Analog Output Pins .....                            | 56        |
| 8.4.4. ACS32201 NAG Data and Control Pins .....                         | 57        |
| 8.4.5. ACS32201 NAG Clock Pins .....                                    | 57        |
| <b>9. PACKAGE INFORMATION .....</b>                                     | <b>58</b> |
| 9.1. TAG/TLA Package Drawing .....                                      | 58        |
| 9.2. Pb Free Process- Package Classification Reflow Temperatures .....  | 58        |
| <b>10. NAG/HLA PACKAGE INFORMATION .....</b>                            | <b>59</b> |
| 10.1. NAG/HLA Package Drawing .....                                     | 59        |
| 10.2. Pb Free Process- Package Classification Reflow Temperatures ..... | 59        |
| <b>11. ORDERING INFORMATION .....</b>                                   | <b>60</b> |
| <b>12. DISCLAIMER .....</b>   | <b>60</b> |
| <b>13. DOCUMENT REVISION HISTORY .....</b>                              | <b>61</b> |

**LIST OF TABLES**

Power Management Register 1 8  
Power Management Register 2 8  
Power Management Register1 -- Master Clock Disable 8  
DC\_COEF\_SEL Register 9  
CONFIG0 Register 9  
Volume Update Control Register 10  
Gain Control Register 10  
DAC Volume Control Registers 11  
CONFIG1 Register 12  
DACCRAM Read/Write Registers 13  
DACCRAM Address Register 13  
DACCRAM Status Register 13  
DACCRAM EQ Addressess 16  
DACCRAM Bass/Treble Addresses 17  
CLECTL Register 22  
MUGAIN Register 22  
COMPTH Register 22  
CMPRAT Register 22  
CATKTCL Register 22  
CATKTCH Register 23  
CRELTCL Register 23  
CRELTCH Register 23  
LIMTH Register 23  
LIMITGT Register 23  
LATKTCL Register 23  
LATKTCH Register 23  
LRELTCL Register 23  
LRELTCH Register 24  
EXPTH Register 24  
EXPRAT Register 24  
XATKTCL Register 24  
XATKTCH Register 24  
XRELTCL Register 24  
XRELTCH Register 24  
FX Control Register 25  
CNRTR1 Register 26  
SPKVOL L/R Registers 27  
Constant Output Power 1 Register 30  
Constant Output Power 2 Register 31  
Constant Output Power 3 Register 31  
CONFIG0 Register 31  
PWM0 Register 32  
PWM1 Register 32  
PWM2 Register 32  
PWM3 Register 32  
Power Management 2 Register 33  
Additional Control Register 34  
Speaker Operation 34  
Additional Control Register 36  
THERMTS Register 36  
THERMTSPKR1 Register 37  
THERMTSPKR2 Register 37  
AIC1 Register 40  
AIC2 Register 41  
AIC3 Register 41  
Master Mode BCLK Frequency Control Register 41  
DEVADRI Register 44  
DEVID H&L Registers 44

# ACS32201

## LOWER-POWER, HIGH-FIDELITY, CLASS-D AMPLIFIER

---

|   |    |
|---|----|
| REVID Register                            | 44 |
| RESET Register                            | 44 |
| DACSR Register                            | 45 |
| ACLK and Sample Rates                     | 46 |
| Electrical Specification: Maximum Ratings | 47 |
| Recommended Operating Conditions          | 47 |
| Device Characteristics                    | 48 |
| PLL Section DC Characteristics            | 49 |
| Register Map                              | 50 |
| ACS32201 TAG Power Pins                   | 54 |
| ACS32201 TAG Reference Pins               | 54 |
| ACS32201 TAG Analog Output Pins           | 54 |
| ACS32201 TAG Data and Control Pins        | 55 |
| ACS32201 TAG Clock Pins                   | 55 |
| ACS32201 NAG Power Pins                   | 56 |
| ACS32201 NAG Reference Pins               | 56 |
| ACS32201 NAG Analog Output Pins           | 56 |
| ACS32201 NAG Data and Control Pins        | 57 |
| ACS32201 NAG Clock Pins                   | 57 |
| Reflow Temperatures                       | 58 |
| Reflow Temperatures                       | 59 |

# ACS32201

## LOWER-POWER, HIGH-FIDELITY, CLASS-D AMPLIFIER

---

### LIST OF FIGURES

|  |    |
|--|----|
| ACS32201 Block Diagram                                       | 7  |
| Output Audio Processing                                      | 9  |
| Prescaler & EQ Filters                                       | 11 |
| DAC Coefficient RAM Write Sequence                           | 14 |
| DAC Coefficient RAM Read Sequence                            | 15 |
| Gain Compressor, Output vs Input                             | 18 |
| Compressor block diagram                                     | 20 |
| 3-D Channel Inversion  | 25 |
| Constant Output Power Error                                  | 29 |
| Constant Output Power nominal and high/low                   | 30 |
|  | 35 |
| Master mode  | 38 |
| Slave mode   | 38 |
| Left Justified Audio Interface (assuming n-bit word length)  | 39 |
| Right Justified Audio Interface (assuming n-bit word length) | 39 |
| I2S Justified Audio Interface (assuming n-bit word length)   | 40 |
| Bit Clock mode   | 42 |
| 2-Wire Serial Control Interface                              | 42 |
| Multiple Write Cycle   | 43 |
| Read Cycle   | 43 |
| Multiple Read Cycle  | 44 |
| ACS32201 TLA/TAG Pinout                                      | 52 |
| ACS32201 NAG/HLA Pinout                                      | 53 |
| Package Outline  | 58 |
| NAG/HLA Package Outline                                      | 59 |

# ACS32201

## LOWER-POWER, HIGH-FIDELITY, CLASS-D AMPLIFIER

### 1. OVERVIEW

#### 1.1. Block Diagrams

The ACS32201 is an advanced digital Class-D amplifier. To support the design of audio subsystems in a portable device, the ACS32201 features an intelligent architecture with advanced audio processing algorithms and a 1.75W/channel filterless stereo class D amplifier.

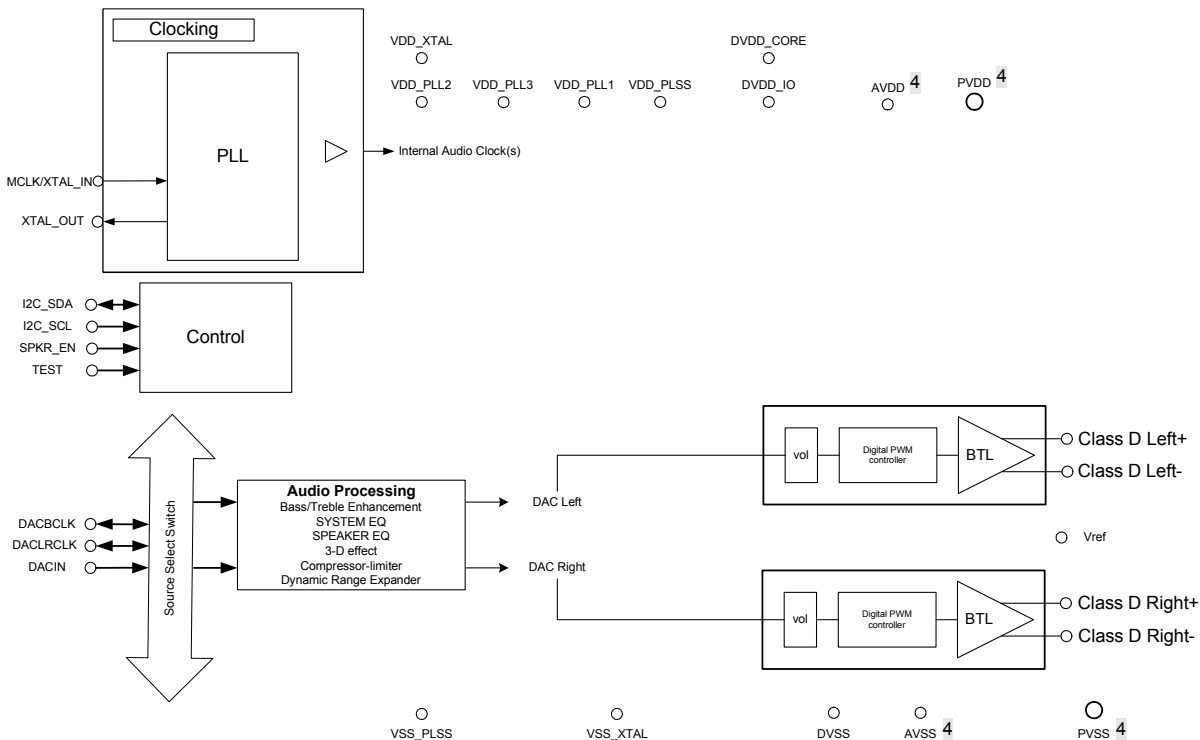


Figure 1. ACS32201 Block Diagram

#### 1.2. Audio Outputs

To enhance the sound available from the small, low-power speakers typically found in a portable device, the ACS32201 provides numerous audio enhancement capabilities. The ACS32201 features dual, independent, programmable left/right 6-band equalization, allowing the system designer to provide an advanced system equalizer to accommodate the specific speakers and enclosure design. A compressor/limiter features programmable attack and release thresholds, enabling the system designer to attenuate loud noise excursions to avoid speaker artifacts, thus allowing the underlying content to be played at a louder volume without distortion. For compressed audio, a programmable expander is available to help restore the dynamic range of the original content. A stereo depth enhancement algorithm allows common left/right content (e.g. dialog) to be attenuated separately from other content, providing a perceived depth separation between background and foreground audio. Psychoacoustic bass and treble enhancement algorithms achieve a rich, full tone even from originally compressed content, and even with speakers generally unable to play low-frequency sounds.

## 2. POWER MANAGEMENT

### 2.1. Control Registers

The ACS32201 has control registers to enable system software to control which functions are active. To minimize power consumption, unused functions should be disabled. To avoid audio artifacts, it is important to enable or disable functions in the correct order.

| Register Address           | Bit | Label  | Type | Default | Description   |
|----------------------------|-----|--------|------|---------|---|
| 0x1A<br>Power Management 1 | 7:1 | RSVD   | RW   | 0       | Reserved  |
|                            | 0   | DIGENB | RW   | 0       | Master clock disable<br>0: master clock enabled, 1: master clock disabled |

Table 1. Power Management Register 1

| Register Address           | Bit | Label | Type | Default | Description  |
|----------------------------|-----|-------|------|---------|--|
| 0x1B<br>Power Management 2 | 7:5 | RSVD  | RW   | 0       | Reserved   |
|                            | 4   | SPKL  | RW   | 0       | LSPK Output Buffer<br>0 = Power down, 1 = Power up                       |
|                            | 3   | SPKR  | RW   | 0       | RSPK Output Buffer<br>0 = Power down, 1 = Power up                       |
|                            | 2:1 | RSVD  | RW   | 0       | Reserved   |
|                            | 0   | VREF  | RW   | 0       | VREF (necessary for all other functions)<br>0 = Power down, 1 = Power up |

Table 2. Power Management Register 2

### 2.2. Stopping the Master Clock

In order to minimize digital core power consumption, the master clock may be stopped in Standby and OFF modes by setting the DIGENB bit (R25, bit 0).

| Register Address           | Bit | Label  | Type | Default | Description   |
|----------------------------|-----|--------|------|---------|---|
| 0x1A<br>Power Management 1 | 0   | DIGENB | RW   | 0       | Master clock disable<br>0 = master clock enabled, 1 = master clock disabled |

Table 3. Power Management Register1 -- Master Clock Disable

*Note: Before DIGENB can be set, the control bits SPKL and SPKR must be set to zero and a waiting time of 100ms must be observed to allow port ramping/gain fading to complete. Any failure to follow this procedure may cause pops or, if less than 1mS, may prevent the DACs from re-starting correctly.*



### 3. OUTPUT AUDIO PROCESSING

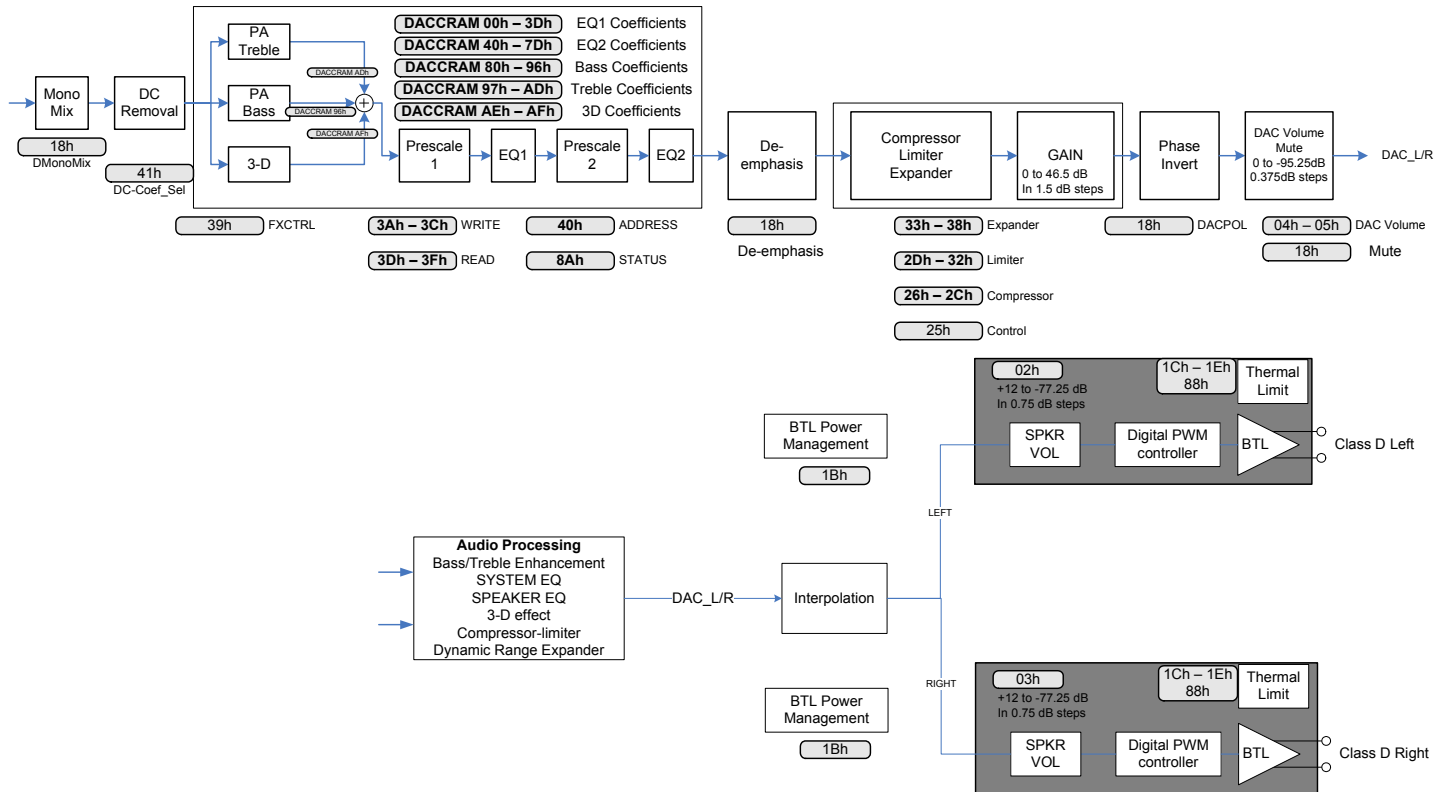


Figure 2. Output Audio Processing

#### 3.1. DC Removal

Before processing, a DC removal filter removes the DC component from the incoming audio data. The DC removal filter is programmable.

| Register Address     | Bit | Label | Type | Default | Description   |
|----------------------|-----|-------|------|---------|---|
| R65 (41h)<br>DCOFSEL | 7:3 | -     | R    | 0       | Reserved for future use.  |
|                      | 2:0 | -     | RW   | 5       | 0: dc_coef = 24'h100000; //2 <sup>-3</sup> = 0.125<br>1: dc_coef = 24'h040000;<br>2: dc_coef = 24'h010000;<br>3: dc_coef = 24'h004000;<br>4: dc_coef = 24'h001000;<br>5: dc_coef = 24'h000400;<br>6: dc_coef = 24'h000100; //2 <sup>-15</sup> = 0.00030517<br>7: dc_coef = 24'h000040; //2 <sup>-17</sup> |

Table 4. DC\_COEF\_SEL Register

| Register Address     | Bit | Label     | Type | Default | Description   |
|----------------------|-----|-----------|------|---------|---|
| R31 (1Fh)<br>CONFIG0 | 7:2 | RSVD      | RW   | 10h     | Reserved  |
|                      | 1   | dc_bypass | RW   | 0       | 1 = bypass DC removal filter<br><b>(WARNING DC content can damage speakers)</b> |
|                      | 0   | RSVD      | R    | 0       | Reserved  |

Table 5. CONFIG0 Register

### 3.2. Volume Control

The signal volume can be controlled digitally, across a gain and attenuation range of -95.25dB to 0dB (0.375dB steps). The level of attenuation is specified by an eight-bit code, 'DACVOL\_x', where 'x' is L, or R. The value "00000000" indicates mute; other values select the number of 0.375dB steps above -95.625dB for the volume level.

The Volume Update bits control the updating of volume control data; when a bit is written as '0', the Left Volume control associated with that bit is updated whenever the left volume register is written and the Right Volume control is updated when ever the right volume register is written. When a bit is written as '1', the left volume data is placed into an internal holding register when the left volume register is written and both the left and right volumes are updated when the right volume register is written. This enables a simultaneous left and right volume update

| Register Address   | Bit | Label     | Type | Default | Description  |
|--------------------|-----|-----------|------|---------|--|
| R10 (0Ah)<br>VUCTL | 7   | RSVD      | RW   | 1       | Reserved   |
|                    | 6   | DACFade   | RW   | 1       | 1 = volume fades between old/new value<br>0 = volume/mute changes immediately  |
|                    | 5:3 | RSVD      | R    | 0       | Reserved for future use.   |
|                    | 2   | DACVOLUME | RW   | 0       | 0 = Left DAC volume updated immediately<br>1 = Left DAC volume held until right DAC volume register written.             |
|                    | 1   | SPKVOLUME | RW   | 0       | 0 = Left speaker volume updated immediately<br>1 = Left speaker volume held until right speaker volume register written. |
|                    | 0   | RSVD      | RW   | 0       | Reserved   |

Table 6. Volume Update Control Register

The output path may be muted automatically when a long string of zero data is received. The length of zeros is programmable and a detection flag indicates when a stream of zero data has been detected.

| Register Address                       | Bit | Label        | Type | Default | Description   |
|--|-----|--------------|------|---------|---|
| R33 (21h)<br>Gain Control<br>(GAINCTL) | 7   | zerodet_flag | R    | 0       | 1 = zero detect length exceeded.  |
|  | 6   | RSVD         | R    | 0       | Reserved for future use.  |
|  | 5:4 | zerodetlen   | RW   | 2       | Enable mute if input consecutive zeros exceeds this length. 0 = 512, 1 = 1k, 2 = 2k, 3 = 4k samples |
|  | 3   | RSVD         | R    | 0       | Reserved for future use.  |
|  | 2   | auto_mute    | RW   | 1       | 1 = auto mute if detect long string of zeros on input   |
|  | 1   | RSVD         | R    | 0       | Reserved for future use.  |
|  | 0   | RSVD         | R    | 0       | Reserved for future use.  |
|  | 7   | zerodet_flag | R    | 0       | 1 = zero detect length exceeded.  |

Table 7. Gain Control Register

### 3.3. Digital DAC Volume Control

The signal volume can be controlled digitally, across a gain and attenuation range of -95.25dB to 0dB (0.375dB steps). The level of attenuation is specified by an eight-bit code, 'DACVOL\_x', where 'x' is L, or R. The value "00000000" indicates mute; other values select the number of 0.375dB steps above -95.625dB for the volume level.

| Register Address                        | Bit | Label             | Type | Default     | Description   |
|---|-----|-------------------|------|-------------|---|
| R4 (04h)<br>Left DAC<br>Volume Control  | 7:0 | DACVOL_L<br>[7:0] | RW   | FF<br>(0dB) | Left DAC Volume Level<br>0000 0000 = Digital Mute<br>0000 0001 = -95.25dB<br>0000 0010 = -94.875dB<br>... 0.375dB steps up to<br>1111 1111 = 0dB<br>Note: If DACVOLUME is set, this setting will take effect after the next write to the Right Input Volume register. |
| R5 (05h)<br>Right DAC<br>Volume Control | 7:0 | DACVOL_R<br>[7:0] | RW   | FF<br>(0dB) | Right DAC Digital Volume Level<br>0000 0000 = Digital Mute<br>0000 0001 = -95.25dB<br>0000 0010 = -94.875dB<br>... 0.375dB steps up to<br>1111 1111 = 0dB   |

Table 8. DAC Volume Control Registers

### 3.4. Parametric Equalizer

The ACS32201 has a dual 6-band digital parametric equalizer to enable fine tuning of the audio response and preferences for a given system. Each EQ may be enabled or disabled independently. Typically one EQ will be used for speaker compensation and disabled when only headphones are in use while the other EQ is used to alter the audio to make it more pleasing to the listener. This function operates on the digital audio data before it is converted back to analog by the audio DACs.

#### 3.4.1. Prescaler & Equalizer Filter

The Equalizer Filter consists of a Prescaler and 6 IIR Filters. The Prescaler allows the input to be attenuated prior to the EQ filters in case the EQ filters introduce gain, and would thus clip if not prescaled.

TSI provides a tool to enable an audio designer to determine appropriate coefficients for the equalizer filters. The filters enable the implementation of a parametric equalizer with selectable frequency bands, gain, and filter characteristics (high, low, or bandpass).

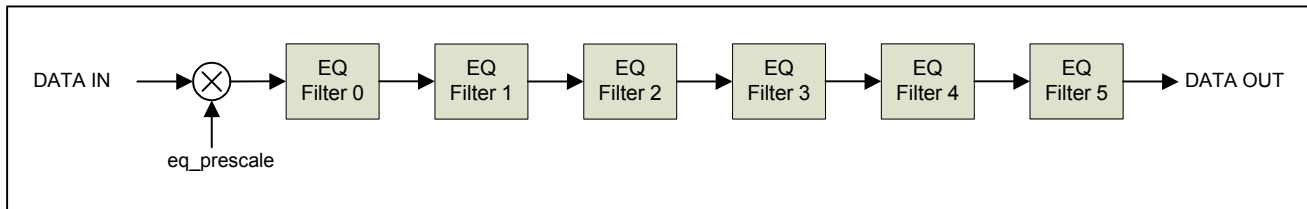


Figure 3. Prescaler & EQ Filters

3.4.2. EQ Registers

• EQ Filter Enable Register

| Register Address     | Bit | Label       | Type | Default | Description   |
|----------------------|-----|-------------|------|---------|---|
| R32 (20h)<br>CONFIG1 | 7   | EQ2_EN      | R/W  | 0       | EQ bank 2 enable<br>0 = second EQ bypassed, 1 = second EQ enabled   |
|                      | 6:4 | EQ2_BE[2:0] | R/W  | 0       | EQ2 band enable. When the EQ is enabled the following EQ stages are executed.<br>0 - Prescale only<br>1 - Prescale and Filter Band 0<br>...<br>6 - Prescale and Filter Bands 0 to 5<br>7 - RESERVED |
|                      | 3   | EQ1_EN      | R/W  | 0       | EQ bank 1 enable<br>0 = first EQ bypassed, 1 = first EQ enabled   |
|                      | 2:0 | EQ1_BE[2:0] | R/W  | 0       | EQ1 band enable. When the EQ is enabled the following EQ stages are executed.<br>0 - Prescale only<br>1 - Prescale and Filter Band 0<br>...<br>6 - Prescale and Filter Bands 0 to 5<br>7 - RESERVED |

Table 9. CONFIG1 Register

# ACS32201

## LOWER-POWER, HIGH-FIDELITY, CLASS-D AMPLIFIER

- DACCRAM Read Data (0x3D–LO, 0x3E–MID, 0x3F–HI), DACCRAM Write Data (0x3A–LO, 0x3B–MID, 0x3C–HI) Registers**

These two 24-bit registers provide the 24-bit data holding registers used when doing indirect writes/reads to the DAC Coefficient RAM.

| Register Address               | Bit | Label          | Type | Default | Description   |
|--------------------------------|-----|----------------|------|---------|---|
| R58 (3Ah)<br>DACCRAM_WRITE_LO  | 7:0 | DACCRWD[7:0]   | R/W  | 0       | Low byte of a 24-bit data register, contains the values to be written to the DACCRAM. The address written will have been specified by the DACCRAM Address fields.                           |
| R59 (3Bh)<br>DACCRAM_WRITE_MID | 7:0 | DACCRWD[15:8]  | R/W  | 0       | Middle byte of a 24-bit data register, contains the values to be written to the DACCRAM. The address written will have been specified by the DACCRAM Address fields.                        |
| R60 (3Ch)<br>DACCRAM_WRITE_HI  | 7:0 | DACCRWD[23:16] | R/W  | 0       | High byte of a 24-bit data register, contains the values to be written to the DACCRAM. The address written will have been specified by the DACCRAM Address fields.                          |
| R61 (3Dh)<br>DACCRAM_READ_LO   | 7:0 | DACCRRD[7:0]   | R    | 0       | Low byte of a 24-bit data register, contains the contents of the most recent DACCRAM address read from the RAM. The address read will have been specified by the DACCRAM Address fields.    |
| R62 (3Eh)<br>DACCRAM_READ_MID  | 7:0 | DACCRRD[15:8]  | R    | 0       | Middle byte of a 24-bit data register, contains the contents of the most recent DACCRAM address read from the RAM. The address read will have been specified by the DACCRAM Address fields. |
| R63 (3Fh)<br>DACCRAM_READ_HI   | 7:0 | DACCRRD[23:16] | R    | 0       | High byte of a 24-bit data register, contains the contents of the most recent DACCRAM address read from the RAM. The address read will have been specified by the DACCRAM Address fields.   |

**Table 10. DACCRAM Read/Write Registers**

- DACCRAM Address Register**

This 7-bit register provides the address to the internal RAM when doing indirect writes/reads to the DAC Coefficient RAM.

| Register Address       | Bit | Label    | Type | Default | Description  |
|------------------------|-----|----------|------|---------|--|
| R64 (40h)<br>DACCRADDR | 7:0 | DACCRADD | R/W  | 0       | Contains the address (between 0 and 255) of the DACCRAM to be accessed by a read or write. This is not a byte address--it is the address of the 24-bit data item to be accessed from the DACCRAM. This address is automatically incremented after writing to DACCRAM_WRITE_HI or reading from DACCRAM_READ_HI (and the 24 bit data from the next RAM location is fetched.) |

**Table 11. DACCRAM Address Register**

- DACCRAM STATUS Register**

This control register provides the write/read enable when doing indirect writes/reads to the DAC Coefficient RAM.

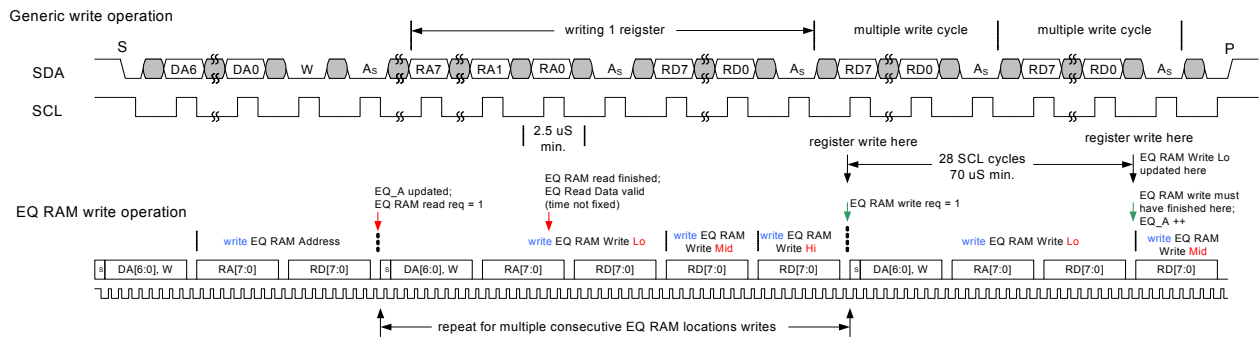
| Register Address        | Bit | Label        | Type | Default | Description   |
|-------------------------|-----|--------------|------|---------|---|
| R138 (8Ah)<br>DACCRSTAT | 7   | DACCRAM_Busy | R    | 0       | 1 = read/write to DACCRAM in progress, cleared by HW when done. |
|                         | 6:0 | RSVD         | R    | 0       | Reserved  |

**Table 12. DACCRAM Status Register**

**3.4.3. Equalizer, Bass, Treble Coefficient & Equalizer Prescaler RAM**

The DAC Coefficient RAM is a single port 161x24 synchronous RAM. It is programmed indirectly through the Control Bus in the following manner:

1. Write target address to DACCRAM\_ADDR register.
2. Write D7:0 to the DACCRAM\_WRITE\_LO register
3. Write D15:8 to the DACCRAM\_WRITE\_MID register
4. Write D23:16 to the DACCRAM\_WRITE\_HI register
5. On successful receipt of the DACCRAM\_WRITE\_HI data, the part will automatically start a write cycle. The DACCRAM\_Busy bit will be set high to indicate that a write is in progress.
6. On completion of the internal write cycle, the DACCRAM\_Busy bit will be 0 (when operating the control interface at high speeds - TBD - software must poll this bit to ensure the write cycle is complete before starting another write cycle.)
7. The bus cycle may be terminated by the host or steps 2-6 may be repeated for writes to consecutive EQ RAM locations.



**Figure 4. DAC Coefficient RAM Write Sequence**

Reading back a value from the DACCRAM is done in this manner:

1. Write target address to DACCRAM\_ADDR register.(EQ data is pre-fetched for read even if we don't use it)
2. Start (or repeat start) a write cycle to DACCRAM\_READ\_LO and after the second byte (register address) is acknowledged, go to step 3. (Do not complete the write cycle.)
3. Signal a repeat start and indicate a read operation
4. Read D7:0 (register address incremented after ack by host)
5. Read D15:8 (register address incremented after ack by host)
6. Read D23:16 (register address incremented and next EQ location pre-fetched after ack by host)
7. The host stops the bus cycle

To repeat a read cycle for consecutive EQ RAM locations:

1. Start (or repeat start instead of stopping the bus cycle in step 7) a write cycle indicating DACCRAM\_RD\_LO as the target address.
2. After the second byte is acknowledged, signal a repeated start.
3. Indicate a read operation
4. Read the DACCRAM\_READ\_LO register as described in step 4

5. Read the DACCRAM\_READ\_MID register as described in step 5
6. Read the DACCRAM\_READ\_HI register as described in step 6
7. Repeat steps 8-13 as desired

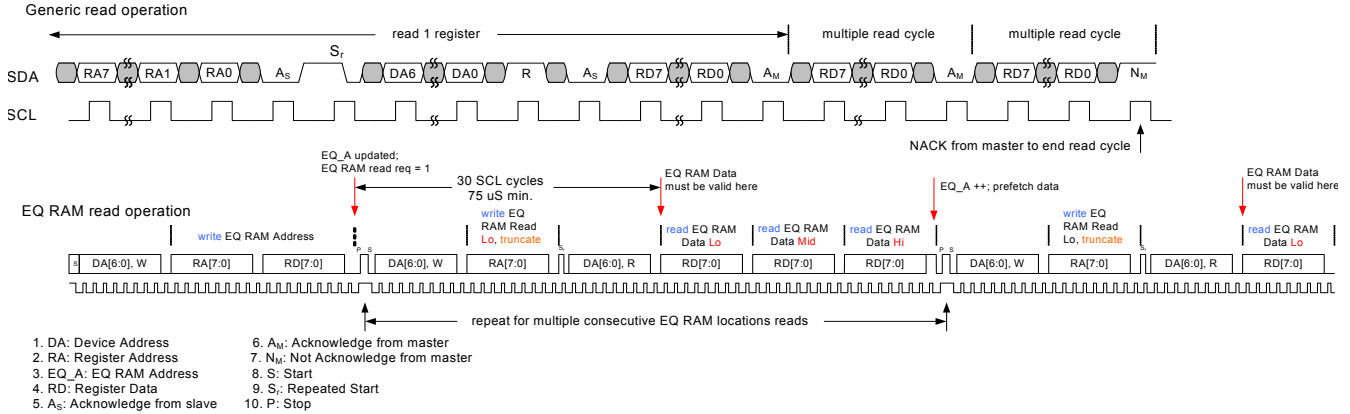


Figure 5. DAC Coefficient RAM Read Sequence

• DACCRAM EQ Addresses

| EQ 0 |                        |      |                        | EQ1  |                        |      |                        |
|------|------------------------|------|------------------------|------|------------------------|------|------------------------|
| Addr | Channel 0 Coefficients | Addr | Channel 1 Coefficients | Addr | Channel 0 Coefficients | Addr | Channel 1 Coefficients |
| 0x00 | EQ_COEF_0F0_B0         | 0x20 | EQ_COEF_1F0_B0         | 0x40 | EQ_COEF_2F0_B0         | 0x60 | EQ_COEF_3F0_B0         |
| 0x01 | EQ_COEF_0F0_B1         | 0x21 | EQ_COEF_1F0_B1         | 0x41 | EQ_COEF_2F0_B1         | 0x61 | EQ_COEF_3F0_B1         |
| 0x02 | EQ_COEF_0F0_B2         | 0x22 | EQ_COEF_1F0_B2         | 0x42 | EQ_COEF_2F0_B2         | 0x62 | EQ_COEF_3F0_B2         |
| 0x03 | EQ_COEF_0F0_A1         | 0x23 | EQ_COEF_1F0_A1         | 0x43 | EQ_COEF_2F0_A1         | 0x63 | EQ_COEF_3F0_A1         |
| 0x04 | EQ_COEF_0F0_A2         | 0x24 | EQ_COEF_1F0_A2         | 0x44 | EQ_COEF_2F0_A2         | 0x64 | EQ_COEF_3F0_A2         |
| 0x05 | EQ_COEF_0F1_B0         | 0x25 | EQ_COEF_1F1_B0         | 0x45 | EQ_COEF_2F1_B0         | 0x65 | EQ_COEF_3F1_B0         |
| 0x06 | EQ_COEF_0F1_B1         | 0x26 | EQ_COEF_1F1_B1         | 0x46 | EQ_COEF_2F1_B1         | 0x66 | EQ_COEF_3F1_B1         |
| 0x07 | EQ_COEF_0F1_B2         | 0x27 | EQ_COEF_1F1_B2         | 0x47 | EQ_COEF_2F1_B2         | 0x67 | EQ_COEF_3F1_B2         |
| 0x08 | EQ_COEF_0F1_A1         | 0x28 | EQ_COEF_1F1_A1         | 0x48 | EQ_COEF_2F1_A1         | 0x68 | EQ_COEF_3F1_A1         |
| 0x09 | EQ_COEF_0F1_A2         | 0x29 | EQ_COEF_1F1_A2         | 0x49 | EQ_COEF_2F1_A2         | 0x69 | EQ_COEF_3F1_A2         |
| 0x0A | EQ_COEF_0F2_B0         | 0x2A | EQ_COEF_1F2_B0         | 0x4A | EQ_COEF_2F2_B0         | 0x6A | EQ_COEF_3F2_B0         |
| 0x0B | EQ_COEF_0F2_B1         | 0x2B | EQ_COEF_1F2_B1         | 0x4B | EQ_COEF_2F2_B1         | 0x6B | EQ_COEF_3F2_B1         |
| 0x0C | EQ_COEF_0F2_B2         | 0x2C | EQ_COEF_1F2_B2         | 0x4C | EQ_COEF_2F2_B2         | 0x6C | EQ_COEF_3F2_B2         |
| 0x0D | EQ_COEF_0F2_A1         | 0x2D | EQ_COEF_1F2_A1         | 0x4D | EQ_COEF_2F2_A1         | 0x6D | EQ_COEF_3F2_A1         |
| 0x0E | EQ_COEF_0F2_A2         | 0x2E | EQ_COEF_1F2_A2         | 0x4E | EQ_COEF_2F2_A2         | 0x6E | EQ_COEF_3F2_A2         |
| 0x0F | EQ_COEF_0F3_B0         | 0x2F | EQ_COEF_1F3_B0         | 0x4F | EQ_COEF_2F3_B0         | 0x6F | EQ_COEF_3F3_B0         |
| 0x10 | EQ_COEF_0F3_B1         | 0x30 | EQ_COEF_1F3_B1         | 0x50 | EQ_COEF_2F3_B1         | 0x70 | EQ_COEF_3F3_B1         |

| EQ 0 |                        |      |                        | EQ1  |                        |      |                        |
|------|------------------------|------|------------------------|------|------------------------|------|------------------------|
| Addr | Channel 0 Coefficients | Addr | Channel 1 Coefficients | Addr | Channel 0 Coefficients | Addr | Channel 1 Coefficients |
| 0x11 | EQ_COEF_0F3_B2         | 0x31 | EQ_COEF_1F3_B2         | 0x51 | EQ_COEF_2F3_B2         | 0x71 | EQ_COEF_3F3_B2         |
| 0x12 | EQ_COEF_0F3_A1         | 0x32 | EQ_COEF_1F3_A1         | 0x52 | EQ_COEF_2F3_A1         | 0x72 | EQ_COEF_3F3_A1         |
| 0x13 | EQ_COEF_0F3_A2         | 0x33 | EQ_COEF_1F3_A2         | 0x53 | EQ_COEF_2F3_A2         | 0x73 | EQ_COEF_3F3_A2         |
| 0x14 | EQ_COEF_0F4_B0         | 0x34 | EQ_COEF_1F4_B0         | 0x54 | EQ_COEF_2F4_B0         | 0x74 | EQ_COEF_3F4_B0         |
| 0x15 | EQ_COEF_0F4_B1         | 0x35 | EQ_COEF_1F4_B1         | 0x55 | EQ_COEF_2F4_B1         | 0x75 | EQ_COEF_3F4_B1         |
| 0x16 | EQ_COEF_0F4_B2         | 0x36 | EQ_COEF_1F4_B2         | 0x56 | EQ_COEF_2F4_B2         | 0x76 | EQ_COEF_3F4_B2         |
| 0x17 | EQ_COEF_0F4_A1         | 0x37 | EQ_COEF_1F4_A1         | 0x57 | EQ_COEF_2F4_A1         | 0x77 | EQ_COEF_3F4_A1         |
| 0x18 | EQ_COEF_0F4_A2         | 0x38 | EQ_COEF_1F4_A2         | 0x58 | EQ_COEF_2F4_A2         | 0x78 | EQ_COEF_3F4_A2         |
| 0x19 | EQ_COEF_0F5_B0         | 0x39 | EQ_COEF_1F5_B0         | 0x59 | EQ_COEF_2F5_B0         | 0x79 | EQ_COEF_3F5_B0         |
| 0x1A | EQ_COEF_0F5_B1         | 0x3A | EQ_COEF_1F5_B1         | 0x5A | EQ_COEF_2F5_B1         | 0x7A | EQ_COEF_3F5_B1         |
| 0x1B | EQ_COEF_0F5_B2         | 0x3B | EQ_COEF_1F5_B2         | 0x5B | EQ_COEF_2F5_B2         | 0x7B | EQ_COEF_3F5_B2         |
| 0x1C | EQ_COEF_0F5_A1         | 0x3C | EQ_COEF_1F5_A1         | 0x5C | EQ_COEF_2F5_A1         | 0x7C | EQ_COEF_3F5_A1         |
| 0x1D | EQ_COEF_0F5_A2         | 0x3D | EQ_COEF_1F5_A2         | 0x5D | EQ_COEF_2F5_A2         | 0x7D | EQ_COEF_3F5_A2         |
| 0x1E | -                      | 0x3E | -                      | 0x5E | -                      | 0x7E | -                      |
| 0x1F | EQ_PRESCALE0           | 0x3F | EQ_PRESCALE1           | 0x5F | EQ_PRESCALE2           | 0x7F | EQ_PRESCALE3           |

Table 13. DACCRAM EQ Addresses

• DACCRAM Bass/Treble Addresses

| Addr | Bass Coefficients <sup>1</sup> | Addr | Treble Coefficients | Addr | 3D Coefficients |
|------|--------------------------------|------|---------------------|------|-----------------|
| 0x80 | BASS_COEF_EXT1_B0              | 0x97 | TREB_COEF_EXT1_B0   | 0xAE | 3D_COEF         |
| 0x81 | BASS_COEF_EXT1_B1              | 0x98 | TREB_COEF_EXT1_B1   | 0xAF | 3D_MIX          |
| 0x82 | BASS_COEF_EXT1_B2              | 0x99 | TREB_COEF_EXT1_B2   |      |                 |
| 0x83 | BASS_COEF_EXT1_A1              | 0x9A | TREB_COEF_EXT1_A1   |      |                 |
| 0x84 | BASS_COEF_EXT1_A2              | 0x9B | TREB_COEF_EXT1_A2   |      |                 |
| 0x85 | BASS_COEF_EXT2_B0              | 0x9C | TREB_COEF_EXT2_B0   |      |                 |
| 0x86 | BASS_COEF_EXT2_B1              | 0x9D | TREB_COEF_EXT2_B1   |      |                 |
| 0x87 | BASS_COEF_EXT2_B2              | 0x9E | TREB_COEF_EXT2_B2   |      |                 |
| 0x88 | BASS_COEF_EXT2_A1              | 0x9F | TREB_COEF_EXT2_A1   |      |                 |
| 0x89 | BASS_COEF_EXT2_A2              | 0xA0 | TREB_COEF_EXT2_A2   |      |                 |
| 0x8A | BASS_COEF_NLF_M1 <sup>2</sup>  | 0xA1 | TREB_COEF_NLF_M1    |      |                 |
| 0x8B | BASS_COEF_NLF_M2               | 0xA2 | TREB_COEF_NLF_M2    |      |                 |
| 0x8C | BASS_COEF_LMT_B0               | 0xA3 | TREB_COEF_LMT_B0    |      |                 |



# ACS32201

## LOWER-POWER, HIGH-FIDELITY, CLASS-D AMPLIFIER

| Addr | Bass Coefficients <sup>1</sup> | Addr | Treble Coefficients | Addr | 3D Coefficients |
|------|--------------------------------|------|---------------------|------|-----------------|
| 0x8D | BASS_COEF_LMT_B1               | 0xA4 | TREB_COEF_LMT_B1    |      |                 |
| 0x8E | BASS_COEF_LMT_B2               | 0xA5 | TREB_COEF_LMT_B2    |      |                 |
| 0x8F | BASS_COEF_LMT_A1               | 0xA6 | TREB_COEF_LMT_A1    |      |                 |
| 0x90 | BASS_COEF_LMT_A2               | 0xA7 | TREB_COEF_LMT_A2    |      |                 |
| 0x91 | BASS_COEF_CTO_B0               | 0xA8 | TREB_COEF_CTO_B0    |      |                 |
| 0x92 | BASS_COEF_CTO_B1               | 0xA9 | TREB_COEF_CTO_B1    |      |                 |
| 0x93 | BASS_COEF_CTO_B2               | 0xAA | TREB_COEF_CTO_B2    |      |                 |
| 0x94 | BASS_COEF_CTO_A1               | 0xAB | TREB_COEF_CTO_A1    |      |                 |
| 0x95 | BASS_COEF_CTO_A2               | 0xAC | TREB_COEF_CTO_A2    |      |                 |
| 0x96 | BASS_MIX                       | 0xAD | TREB_MIX            |      |                 |

1. All B0 coefficients are set to unity (400000h) by default. All others, including M1 and M2, are 0 by default.

2. NLF coefficients (M1, M2) have a range defined as +/-8, with 1 sign bit, 3 integer bits, and 20 fraction bits. So, unity for these values is 100000h. This is as opposed to the rest of the coefficient RAM, which has a range defined as +/-2, with 1 sign bit, 1 integer bit, and 22 fraction bits.

**Table 14. DACCRAM Bass/Treble Addresses**

### 3.5. Gain and Dynamic Range Control

The gain for a given channel is controlled by the DACVOL registers. The range of gain supported is from -95.625db to 0db in 0.375db steps.

If the result of the gain multiply step would result in overflow of the 24-bit output word width, the output is saturated at the max positive or negative value.

In addition to simple gain control, the ACS32201 also provides sophisticated dynamic range control. The dynamic range control processing element implements limiting, dynamic range compression, and dynamic range expansion functions.

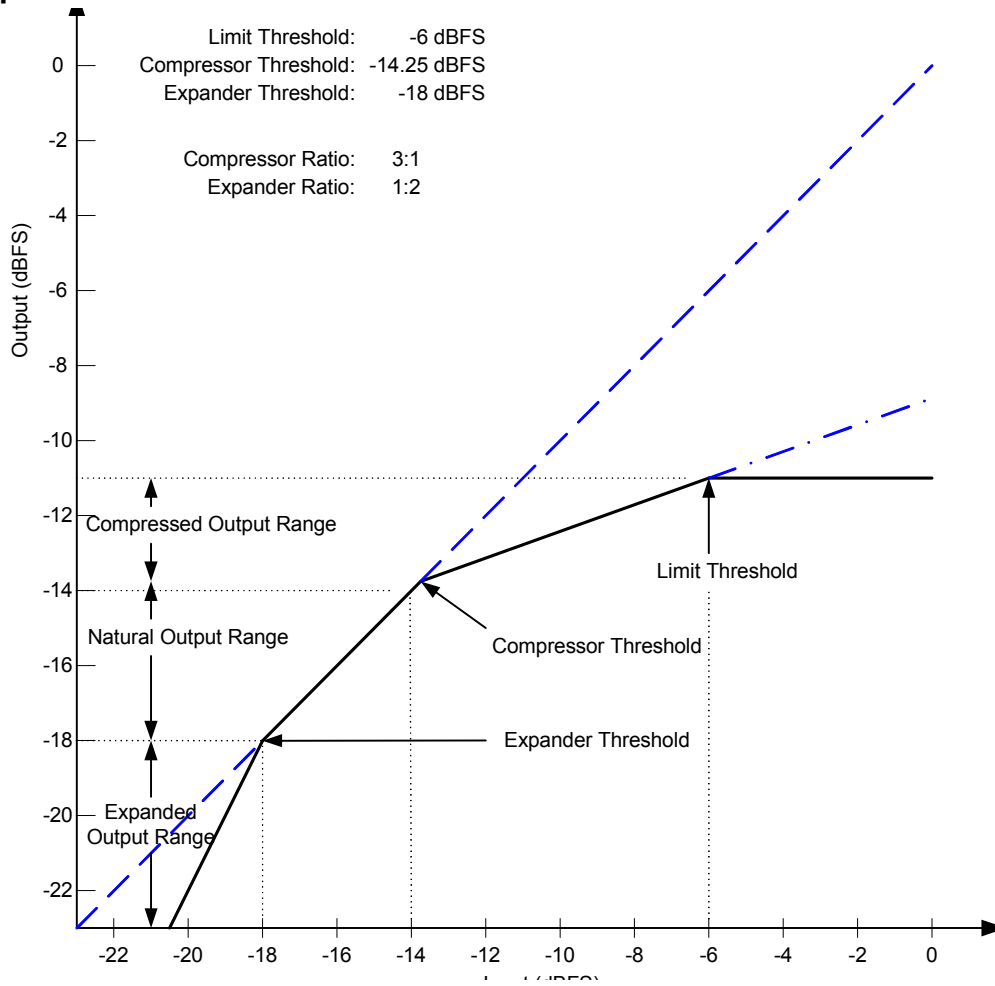
### 3.6. Limiter

The Limiter function will limit the output of the DSP module to the Class-D and DAC modules. If the signal is greater than 0dB it will saturate at 0dB as the final processing step within the DSP module.

There are times when the user may intentionally want the output Limiter to perform this saturation, for example +6dB of gain applied within the DSP gain control and then limited to 0dB when output to the Class-D module would result in a clipped signal driving the speaker output. This clipped signal would obviously contribute to increased distortion on the speaker output which from the user listening perception it would "sound louder".

At other times, the system implementor may wish to protect speakers from overheating or provide hearing protection by intentionally limiting the output level before full scale is reached. A limit threshold, independent of the compressor threshold is provided for this purpose. It is expected that the limit threshold is set to a higher level than the compressor threshold.

**3.7. Compressor**



**Figure 6. Gain Compressor, Output vs Input**

The traditional compressor algorithm provides two functions simultaneously (depending on signal level). For higher level signals, it can provide a compression function to reduce the signal level. For lower level signals, it can provide an expansion function for either increasing dynamic range or noise gating.

The compressor monitors the signal level and, if the signal is higher than a threshold, will reduce the gain by a programmed ratio to restrict the dynamic range. Limiting is an extreme example of the compressor where, as the input signal level is increased, the gain is decreased to maintain a specific output level.

In addition to limiting the bandwidth of the compressed audio, it is common for compressed audio to also compress the dynamic range of the audio. The expansion function in the ACS32201 can help restore the original dynamics to the audio.

The expander is a close relative of the compressor. Rather than using signal dependent gain to restrict the dynamic range, the expander uses signal dependent gain to expand the dynamic range. Thus if a signal level is below a particular threshold, the expander will reduce the gain even further to extend the dynamic range of the material.

### 3.7.1. Configuration

This compressor limiter provides the following configurable parameters.

- Compressor/limiter
  - Threshold – The threshold above which the compressor will reduce the dynamic range of the audio in the compression region.
  - Ratio – The ratio between the input dynamic range and the output dynamic range. For example, a ratio of 3 will reduce an input dynamic range of 9db to 3db.
  - Attack Time – The amount of time that changes in gain are smoothed over during the attack phase of the compressor.
  - Release Time – The amount of time that changes in gain are smoothed over during the release phase of the compressor.
  - Makeup gain – Used to increase the overall level of the compressed audio.
- Expander
  - Threshold – The threshold below which the expander will increase the dynamic range of the audio.
  - Ratio – The ratio between the input dynamic range and the output dynamic range of the audio in the expansion range. For example a ratio of 3 will take an input dynamic range of 9db and expand it to 27db.
  - Attack Time – The amount of time that changes in gain are smoothed over during the attack phase of the expander
  - Release Time
    - - The amount of time that changes in gain are smoothed over during the release phase of the expander.
- Two level detection algorithms
  - RMS – Use an RMS measurement for the level.
  - Peak – Use a peak measurement for the level.

### 3.7.2. Controlling parameters

In order to control this processing, there are a number of configurable parameters. The parameters and their ranges are:

- Compressor/limiter
  - Threshold – -40db to 0db relative to full scale.
  - Ratio – 1 to 20
  - Attack Time – typically 0 to 500ms
  - Release Time – typically 25ms to 2 seconds
  - Makeup gain – 0 to 40db
- Expander
  - Threshold – -30 to -60 dB
  - Ratio – 1 to 6
  - Attack Time – same as above
  - Release Time – same as above.
- Two level detection algorithms
  - RMS
  - Peak

## 3.7.3. Overview

A basic block diagram of the compressor is shown below:

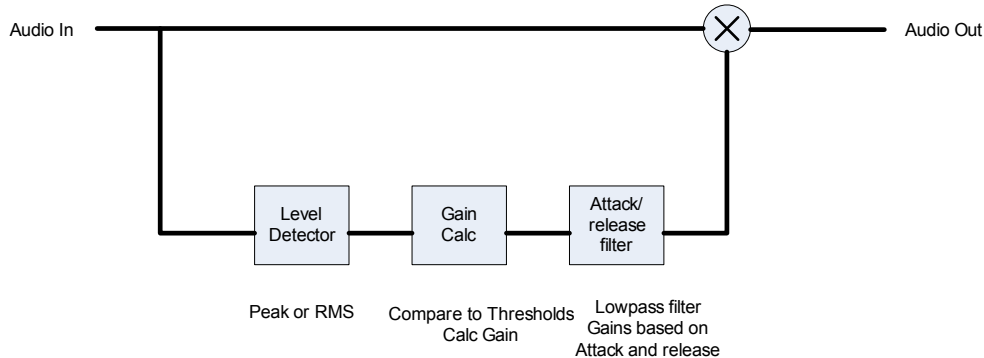


Figure 7. Compressor block diagram

As this diagram shows, there are 3 primary components of the compressor.

1. **Level Detector:** The level detector, oddly enough, detects the level of the incoming signal. Since the comp/limiter is designed to work on blocks of signals, the level detector will either find the peak value of the block of samples to be processed or the rms level of the samples within a block.
2. **Gain Calculation:** The gain calculation block is responsible for taking the output of the level detector and calculating a target gain based on that level and the compressor and expander thresholds. The compressor recalculates the target gain value every block, typically every 10ms.
  - The gain calculation operates in 3 regions:
    - Linear region – If the level is higher than the expander threshold and lower than the compression threshold, then the gain is 1.0
    - Compression region – When the level is higher than the compressor threshold, then the comp/limiter is in the compression region. The gain is a function of the compressor ratio and the signal level.
    - Expansion region – When the signal is lower than the expansion threshold, the comp/limiter is in the expansion region. In this region, the gain is a function of the signal level and the expansion ratio.
  - Compression region gain calculation: In the compression region, the gain calculation is:
 
$$\text{Atten}(\text{in db}) = (1 - 1/\text{ratio}) (\text{threshold}(\text{in db}) - \text{level}(\text{in db}));$$
    - For example,
      - Ratio = 4:1 compression
      - Threshold = -16db
      - Level = -4 db

The required attenuation is: 9db or a gain coefficient of 0.1259.

Translating this calculation from log space to linear yields the formula:

$$\text{Gain} = (\text{level}/\text{threshold})^{1/\text{ratio}} * (\text{threshold}/\text{level})$$

- Expansion region gain calculation: In the expansion region, the attenuation calculation is:

$$\text{Atten}(\text{in db}) = (1 - \text{ratio}) (\text{threshold} - \text{level});$$

- For example,
  - Ratio = 3:1
  - Threshold = -40db
  - Level = -44 db

The resulting attenuation required is 8db or a gain value of 0.1585.

The linear equation for calculating the gain is:

$$\text{Gain} = (\text{level}/\text{threshold})^{\text{ratio}} * (\text{threshold}/\text{level})$$

- **State Transitions:** In addition to calculating the new gain for the compressor, the gain calculation block will also select the filter coefficient for the attack/release filter. The rules for selecting the coefficient are as follows:

In the compression region:

- If the gain calculated is less than the last gain calculated (more compression is being applied), then the filter coefficient is the compressor attack.
- If the gain calculated is more than the last gain calculated (less compression), the filter coefficient is the compressor release.
- In the expansion region:
  - If the calculated gain is less than the last gain calculated (closing expander, the filter coefficient is the expander attack.
  - If the calculated gain is more than the last gain calculated, the filter coefficient is the expander release.

In the linear region:

- Modify gain until a gain of 1.0 is obtained.
- If the last non-linear state was compression, use the compressor release.
- If the last non-linear state was expansion, use the expander attack.

3. **Attack/Release filter:** In order to prevent objectionable artifacts, the gain is smoothly ramped from the current value to the new value calculated by the gain calculation block. In the PC-based comp/limiter, this is achieved using a simple tracking lowpass filter to smooth out the abrupt transitions. The calculation (using the coefficient (coeff) selected by the gain block) is:

$$\text{Filtered\_gain} = \text{coeff} * \text{last\_filtered\_gain} + (1.0 - \text{coeff}) * \text{target\_gain};$$

This creates a exponential ramp from the current gain value to the new value.

3.7.4. Limiter/Compressor Registers

- General compressor/limiter/expander control

| Register Address    | Bit | Label     | Type | Default | Description  |
|---------------------|-----|-----------|------|---------|--|
| R37 (25h)<br>CLECTL | 7:5 | RSVD      | R    | 0h      | Reserved   |
|                     | 4   | Lvl_Mode  | RW   | 0       | CLE Level Detection Mode<br>0 = Average<br>1 = Peak  |
|                     | 3   | WindowSel | RW   | 0       | Window width selection for level detection:<br>0 = equivalent of 512 samples of selected Base Rate (~10-16ms)<br>1 = equivalent of 64 samples of selected Base Rate (~1.3-2ms) |
|                     | 2   | Exp_en    | RW   | 0       | 1 = enable expander  |
|                     | 1   | Limit_en  | RW   | 0       | 1 = enable limiter   |
|                     | 0   | Comp_en   | RW   | 0       | 1 = enable compressor  |

Table 15. CLECTL Register

- Compressor/Limiter/Expander make-up gain

| Register Address    | Bit | Label       | Type | Default | Description                |
|---------------------|-----|-------------|------|---------|----------------------------|
| R38 (26h)<br>MUGAIN | 7:5 | RSVD        | R    | 0h      | Reserved                   |
|                     | 4:0 | CLEMUG[4:0] | RW   | 0h      | 0dB..46.5dB in 1.5dB steps |

Table 16. MUGAIN Register

- Compressor Threshold

| Register Address    | Bit | Label       | Type | Default | Description                                |
|---------------------|-----|-------------|------|---------|--|
| R39 (27h)<br>COMPTh | 7:0 | COMPTh[7:0] | RW   | 00h     | FFh..00h = 0dB..95.625dB in 0.375dB steps. |

Table 17. COMPTh Register

- Compressor ratio register

| Register Address    | Bit | Label       | Type | Default | Description  |
|---------------------|-----|-------------|------|---------|--|
| R40 (28h)<br>CMPRAT | 7:5 | RSVD        | R    | 000     | Reserved   |
|                     | 4:0 | CMPRAT[4:0] | RW   | 00h     | Compressor Ratio<br>00h = Reserved<br>01h = 1.5:1<br>02h..14h = 2:1..20:1<br>15h..1Fh = Reserved |

Table 18. CMPRAT Register

- Compressor Attack Time Constant Register (Low)

| Register Address     | Bit | Label        | Type | Default | Description  |
|----------------------|-----|--------------|------|---------|--|
| R41 (29h)<br>CATKTCL | 7:0 | CATKTCL[7:0] | RW   | 00h     | Low byte of the time constant used to ramp to a new gain value during a compressor attack phase. |

Table 19. CATKTCL Register

• **Compressor Attack Time Constant Register (High)**

| Register Address     | Bit | Label        | Type | Default | Description   |
|----------------------|-----|--------------|------|---------|---|
| R42 (2Ah)<br>CATKTCH | 7:0 | CATKTC[15:8] | RW   | 00h     | High byte of the time constant used to ramp to a new gain value during a compressor attack phase. |

Table 20. CATKTCH Register

• **Compressor Release Time Constant Register (Low)**

| Register Address     | Bit | Label       | Type | Default | Description   |
|----------------------|-----|-------------|------|---------|---|
| R43 (2Bh)<br>CRELTCL | 7:0 | CRELTC[7:0] | RW   | 00h     | Low byte of the time constant used to ramp to a new gain value during a compressor release phase. |

Table 21. CRELTCL Register

• **Compressor Release Time Constant Register (High)**

| Register Address     | Bit | Label        | Type | Default | Description  |
|----------------------|-----|--------------|------|---------|--|
| R44 (2Ch)<br>CRELTCH | 7:0 | CRELTC[15:8] | RW   | 00h     | High byte of the time constant used to ramp to a new gain value during a compressor release phase. |

Table 22. CRELTCH Register

• **Limiter Threshold Register**

| Register Address   | Bit | Label      | Type | Default | Description                                |
|--------------------|-----|------------|------|---------|--|
| R45 (2Dh)<br>LIMTH | 7:0 | LIMTH[7:0] | RW   | 00h     | FFh..00h = 0dB..95.625dB in 0.375dB steps. |

Table 23. LIMTH Register

• **Limiter Target Register**

| Register Address    | Bit | Label       | Type | Default | Description                                |
|---------------------|-----|-------------|------|---------|--|
| R46 (2Eh)<br>LIMTGT | 7:0 | LIMTGT[7:0] | RW   | 00h     | FFh..00h = 0dB..95.625dB in 0.375dB steps. |

Table 24. LIMTGT Register

• **Limiter Attack Time Constant Register (Low)**

| Register Address     | Bit | Label       | Type | Default | Description   |
|----------------------|-----|-------------|------|---------|---|
| R47 (2Fh)<br>LATKTCL | 7:0 | LATKTC[7:0] | RW   | 00h     | Low byte of the time constant used to ramp to a new gain value during a limiter attack phase. |

Table 25. LATKTCL Register

• **Limiter Attack Time Constant Register (High)**

| Register Address     | Bit | Label        | Type | Default | Description  |
|----------------------|-----|--------------|------|---------|--|
| R48 (30h)<br>LATKTCH | 7:0 | LATKTC[15:8] | RW   | 00h     | High byte of the time constant used to ramp to a new gain value during a limiter attack phase. |

Table 26. LATKTCH Register

• **Limiter Release Time Constant Register (Low)**

| Register Address     | Bit | Label       | Type | Default | Description  |
|----------------------|-----|-------------|------|---------|--|
| R49 (31h)<br>LRELTCL | 7:0 | LRELTC[7:0] | RW   | 00h     | Low byte of the time constant used to ramp to a new gain value during a limiter release phase. |

Table 27. LRELTCL Register

- **Limiter Release Time Constant Register (High)**

| Register Address     | Bit | Label         | Type | Default | Description   |
|----------------------|-----|---------------|------|---------|---|
| R50 (32h)<br>LRELTCH | 7:0 | LRELTCH[15:8] | RW   | 00h     | High byte of the time constant used to ramp to a new gain value during a limiter release phase. |

Table 28. LRELTCH Register

### 3.7.5. Expander Registers

- **Expander Threshold Register**

| Register Address   | Bit | Label      | Type | Default | Description                                      |
|--------------------|-----|------------|------|---------|--|
| R51 (33h)<br>EXPTH | 7:0 | EXPTH[7:0] | RW   | 00h     | Expander threshold: 0..95.625dB in 0.375dB steps |

Table 29. EXPTH Register

- **Expander Ratio Register**

| Register Address    | Bit | Label       | Type | Default | Description  |
|---------------------|-----|-------------|------|---------|--|
| R52 (34h)<br>EXPRAT | 7:3 | RSVD        | R    | 00h     | Reserved   |
|                     |     | EXPRAT[2:0] | RW   | 000     | Expander Ratio<br>0h..1h = Reserved<br>2h..7h = 1:2..1:7 |

Table 30. EXPRAT Register

- **Expander Attack Time Constant Register (Low)**

| Register Address     | Bit | Label        | Type | Default | Description   |
|----------------------|-----|--------------|------|---------|---|
| R53 (35h)<br>XATKTCL | 7:0 | XATKTCL[7:0] | RW   | 00h     | Low byte of the time constant used to ramp to a new gain value during an expander attack phase. |

Table 31. XATKTCL Register

- **Expander Attack Time Constant Register (High)**

| Register Address     | Bit | Label         | Type | Default | Description  |
|----------------------|-----|---------------|------|---------|--|
| R54 (36h)<br>XATKTCH | 7:0 | XATKTCH[15:8] | RW   | 00h     | High byte of the time constant used to ramp to a new gain value during an expander attack phase. |

Table 32. XATKTCH Register

- **Expander Release Time Constant Register (Low)**

| Register Address     | Bit | Label        | Type | Default | Description  |
|----------------------|-----|--------------|------|---------|--|
| R55 (37h)<br>XRELTCL | 7:0 | XRELTCL[7:0] | RW   | 0       | Low byte of the time constant used to ramp to a new gain value during an expander release phase. |

Table 33. XRELTCL Register

- **Expander Release Time Constant Register (High)**

| Register Address     | Bit | Label         | Type | Default | Description   |
|----------------------|-----|---------------|------|---------|---|
| R56 (38h)<br>XRELTCH | 7:0 | XRELTCH[15:8] | RW   | 0       | High byte of the time constant used to ramp to a new gain value during an expander release phase. |

Table 34. XRELTCH Register



### 3.8. Output Effects

The ACS32201 offers Bass enhancement, Treble enhancement, Stereo Depth enhancement. The output effects processing is outlined in the following sections.

| Register Address   | Bit | Label   | Type | Default | Description  |
|--------------------|-----|---------|------|---------|--|
| R57 (39h)<br>FXCTL | 7:5 | RSVD    | R    | 000     | Reserved   |
|                    | 4   | 3DEN    | RW   | 0       | 3D Enhancement Enable<br>0 = Disabled 1 = Enabled              |
|                    | 3   | TEEN    | RW   | 0       | Treble Enhancement Enable<br>0 = Disabled 1 = Enabled          |
|                    | 2   | TNLFBYP | RW   | 0       | Treble Non-linear Function Bypass:<br>0 = Enabled 1 = Bypassed |
|                    | 1   | BEEN    | RW   | 0       | Bass Enhancement Enable<br>0 = Disabled 1 = Enabled            |
|                    | 0   | BNLFBYP | RW   | 0       | Bass Non-linear Function Bypass:<br>0 = Enabled 1 = Bypassed   |

Table 35. FX Control Register

### 3.9. Stereo Depth (3-D) Enhancement

The ACS32201 has a digital depth enhancement option to artificially increase the separation between the left and right channels, by enabling the attenuation of the content common to both channels. The amount of attenuation is programmable within a range. The input is prescaled (fixed) before summation to prevent saturation.

The 3-D enhancement algorithm is a tried and true algorithm that uses two principles.

1. If the material common to the two channels is removed, then the speakers will sound more 3-D.
2. If the material for the opposite channel is presented to the current channel inverted, it will tend to cancel any material from the opposite channel on the current ear. For example, if the material from the right is presented to the left ear inverted, it will cancel some of the material from the right ear that is leaking into the right ear.

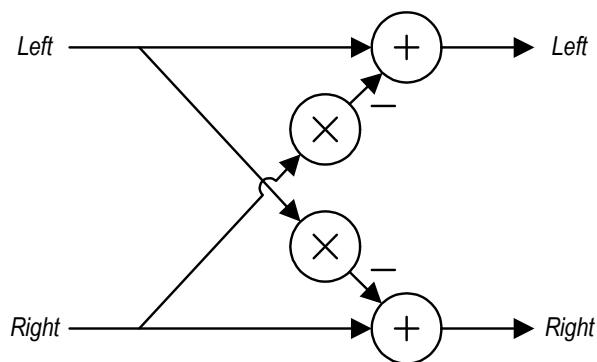


Figure 8. 3-D Channel Inversion

Note: *3D\_Mix* specifies the amount of the common signal that is subtracted from the left and right channels. This number is a fractional amount between 0 and 1. For proper operation, this value is typically negative.

### 3.10. Psychoacoustic Bass Enhancement

One of the primary audio quality issues with small speaker systems is their inability to reproduce significant amounts of energy in the bass region (below 200Hz). While there is no magic mechanism to make a speaker reproduce frequencies that it is not capable of, there are mechanisms for fooling the ear into thinking that the bass material is being heard.

The psychoacoustic bass processor relies on a psychoacoustic principle called “missing fundamental”. If the human ear hears a proper series of harmonics for a particular bass note, the listener will hear the fundamental of that series, even if it is not present.

### 3.11. Treble Enhancement

One of the mechanisms used to limit the bit rate for compressed audio is to first remove high frequency information before compression. When these files like low bit rate MP3 are decompressed, this can lead to dull sounding audio. The TSI treble enhancement replaces these lost high frequencies.

### 3.12. Mute and De-Emphasis

The ACS32201 has a Soft Mute function, which is used to gradually attenuate the digital signal volume to zero. The gain returns to its previous setting if the soft mute is removed. At startup, the codec is muted by default; to enable audio play, the mute bit must be cleared to 0.

After the equalization filters, de-emphasis may be performed on the audio data to compensate for pre-emphasis that may be included in the audio stream. De-emphasis filtering is only available for 48kHz, 44.1kHz, and 32kHz sample rates

### 3.13. Mono Operation and Phase Inversion

Normal stereo operation converts left and right channel digital audio data to analog in separate DACs. However, it is also possible to have the same signal (left or right) appear on both output channels by disabling one channel; alternately, there is a mono-mix mode that mixes the two channels digitally before converting to using only one converter. In this mode, the resulting mixed stream signal can appear on both PWM output channels. The DAC output defaults to non-inverted. Setting DACPOLL and DACPOLR bits will invert the DAC output phase on the left and right channels.

#### 3.13.1. DAC Control Register

| Register Address     | Bit | Label             | Type | Default | Description   |
|----------------------|-----|-------------------|------|---------|---|
| R24 (18h)<br>CNVRTR1 | 7   | DACPOLR           | RW   | 0       | Invert DAC Right signal   |
|                      | 6   | DACPOLL           | RW   | 0       | Invert DAC Left signal  |
|                      | 5:4 | DMONOMIX<br>[1:0] | RW   | 00      | DAC mono mix<br>00: stereo<br>01: mono ((L/2)+(R/2)) into DACL, '0' into DACR<br>10: mono ((L/2)+(R/2)) into DACR, '0' into DACL<br>11: mono ((L/2)+(R/2)) into DACL and DACR |
|                      | 3   | DACMU             | RW   | 1       | Digital Soft Mute<br>1 = mute<br>0 = no mute (signal active)  |
|                      | 2   | DEEMP             | RW   | 0       | De-emphasis Enable<br>1 = De-emphasis Enabled<br>0 = No De-emphasis   |
|                      | 1:0 | RSVD              | R    | 00      | Reserved  |

Table 36. CNVRTR1 Register

### 3.14. Analog Outputs

#### 3.14.1. Speaker Outputs

The LSPKOut (L+, L-) and RSPKOut (R+, R-) pins are intended to drive an 8 ohm speaker pair. The SPKOut pins can drive a 16Ω or 32Ω headphone or alternately drive a line output. The signal volume of the speaker amplifier can be independently adjusted under software control by writing to SPKVOL\_L and SPKVOL\_R. Setting the volume to 0000000 will mute the output driver; the output remains at ground, so that no click noise is produced when muting or un-muting.

Gains above 0dB run the risk of clipping large signals.

To minimize artifacts such as clicks and zipper noise, the BTL outputs feature a volume fade function that smoothly changes volume from the current value to the target value.

##### 3.14.1.1. Speaker Volume Control Registers

| Register Address   | Bit | Label             | Type | Default          | Description   |
|--------------------|-----|-------------------|------|------------------|---|
| R2 (2h)<br>SPKVOLL | 7   | RSVD              | R    | 0                | Reserved  |
|                    | 6:0 | SPKVOL_L<br>[6:0] | RW   | 1101111<br>(0dB) | Left Speaker Volume<br>1111111 = +12dB<br>1111110 = +11.25dB<br>...<br>1101111 = 0dB<br>...<br>0001000 to 0000001 = -77.25dB<br>0000000 = Mute<br>Note: If SPKVOLU is set, this setting will take effect after the next write to the Right Input Volume register. |
| R3 (3h)<br>SPKVOLR | 7   | RSVD              | R    | 0                | Reserved  |
|                    | 6:0 | SPKVOL_R<br>[6:0] | RW   | 1101111<br>(0dB) | Right Speaker Volume<br>1111111 = +12dB<br>1111110 = +11.25dB<br>...<br>1101111 = 0dB<br>...<br>0001000 to 0000001 = -77.25dB<br>0000000 = Mute   |

Table 37. SPKVOL L/R Registers

#### 3.14.2. Class D Audio Processing

The Class D PWM Controller performs the following signal processing:

- Feedback filters are applied to shape any noise. The filters move noise from audible frequencies to frequencies above the audio range.
- The PWM block converts the data streams to tri-state PWM signals and sends them to the power stages.
- Finally, the Class-D controller block adjusts the output volume to provide constant output power across supply voltage.

The power stages boost the signals to higher levels, sufficient to drive speakers at a comfortable listening level.

### 3.14.2.1. Constant Output Power Mode

In normal operation the BTL amplifier is rated at 0.5W (full scale digital with 6dB BTL gain) into an 8 ohm load at 3.6V but will vary from about 0.38W to about 1.2W across a 3.1V to 5.5V supply range. However, when constant output power mode is enabled, the full scale output is held constant from 3.1V to 5.5V.

The BTL amplifier in ACS32201 will continuously adjust to power supply changes to ensure that the full scale output power remains constant. This is not an automatic level control. Rather, this function prevents sudden volume changes when switching between battery and line power. Please note, when in this mode the amplifier efficiency may be reduced and decreases with higher supply voltages and lower target values.

A simple 5-bit ADC is used to monitor PVDD. As PVDD raises or lowers, the analog circuit will send a 5-bit code to the digital section that will average and then calculate a gain adjustment. The BTL audio signal will be multiplied by this gain value (in addition to the user volume controls).

The user will select a target value for the circuit. The constant output function will calculate a gain adjustment that will provide approximately the same full scale output voltage as provided when PVDD causes the same code value. So, if the target is 9 then a PVDD voltage of about 3.7V would generate a code value of 9 and a full scale output power of about 630mW into 8 ohms. If PVDD should rise to 4V, generating a code of 13, then the constant output power circuit would reduce the gain by 0.75dB (4 codes \* 0.1875dB) to keep the full scale output at the target level.

The circuit may be configured to add gain, attenuation, or both to maintain the full-scale output level. If the needed adjustment falls outside of the range of the circuit (only attenuation is enabled and gain is needed, for example) then the circuit will apply as much correction as it is able. Through the use of gain, attenuation, and target values, different behaviors may be implemented:

- Attenuation only, target set to mimic a low supply voltage - Constant output level across battery state with constant quality (THD/SNR)
- Attenuation only, target set to mimic a moderate supply voltage - Output limiting to an approximate power level. Level will decrease at lower supply voltages but won't increase beyond a specific point.
- Gain only, target at or near max - Output will remain relatively constant but distortion will increase as PVDD is lowered. This mimics the behavior of common class-AB amplifiers.
- Gain and attenuation - Output remains at a level below the maximum possible at the highest supply voltage and above the theoretical full scale at minimum supply. Full scale PCM input clips when the supply voltage is low but won't become too loud when the supply voltage is high.

In addition to maintaining a constant output level, PVDD may be monitored for a large, sudden, change. If the High Delta function is enabled and PVDD changes more than 4 code steps since the last cycle, the output will be rapidly reduced then gradually increased to the target level.

When using this circuit, please take note of the following:

- The full scale output power may be limited by the supply voltage.
- Full scale output power is affected by other gain controls in the output path including the EQ and compressor/limiter.
- The Constant Output Power function is intended to help maintain a constant output level, not an exact output level. The output level for a specific target may vary part to part. If limiting is

required for safety or other reasons, be conservative and set the target well below the maximum allowable level.

- Noise on the PVDD supply may cause erratic behavior. Use the recommended supply decoupling caps and verify that the power supply can support the peak currents demanded by a class-D amplifier.

Constant Output Power error (dB) relative to a target of 8 for an ideal part and the output error if left uncorrected across a 3.1 to 5.5V supply range.

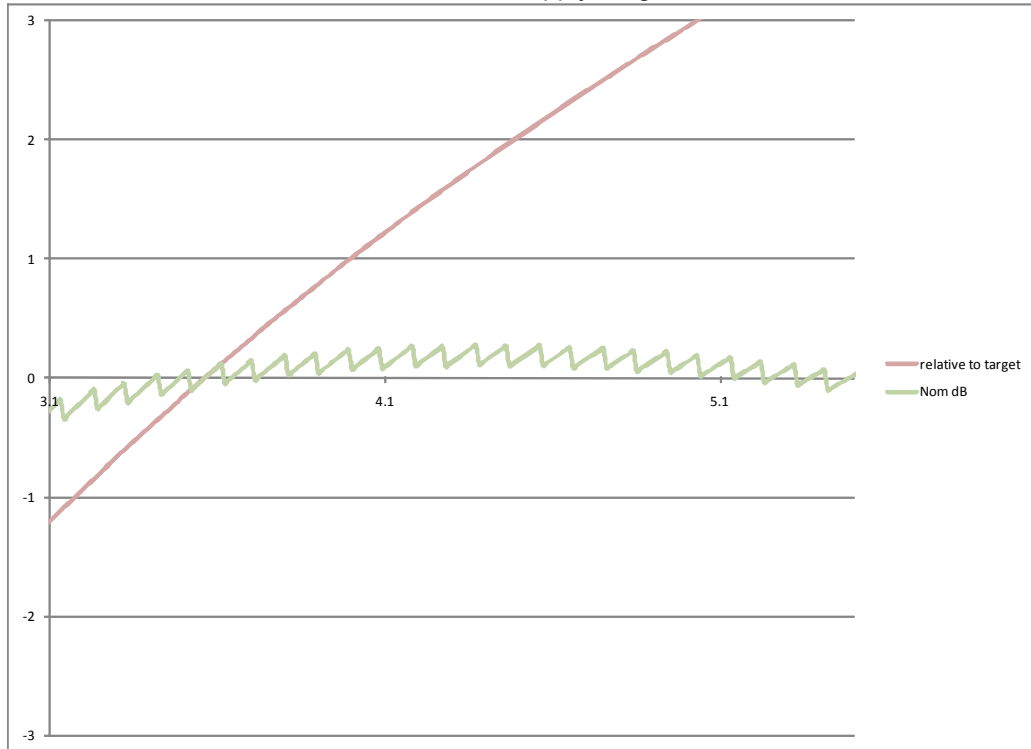


Figure 9. Constant Output Power Error

Constant Output Power for nominal and high/low reference across a 3.1 to 5.5V supply range. (Uncorrected power shown for reference) A target of 8 roughly corresponds to 0.5W at 3.6V into 8 ohms.

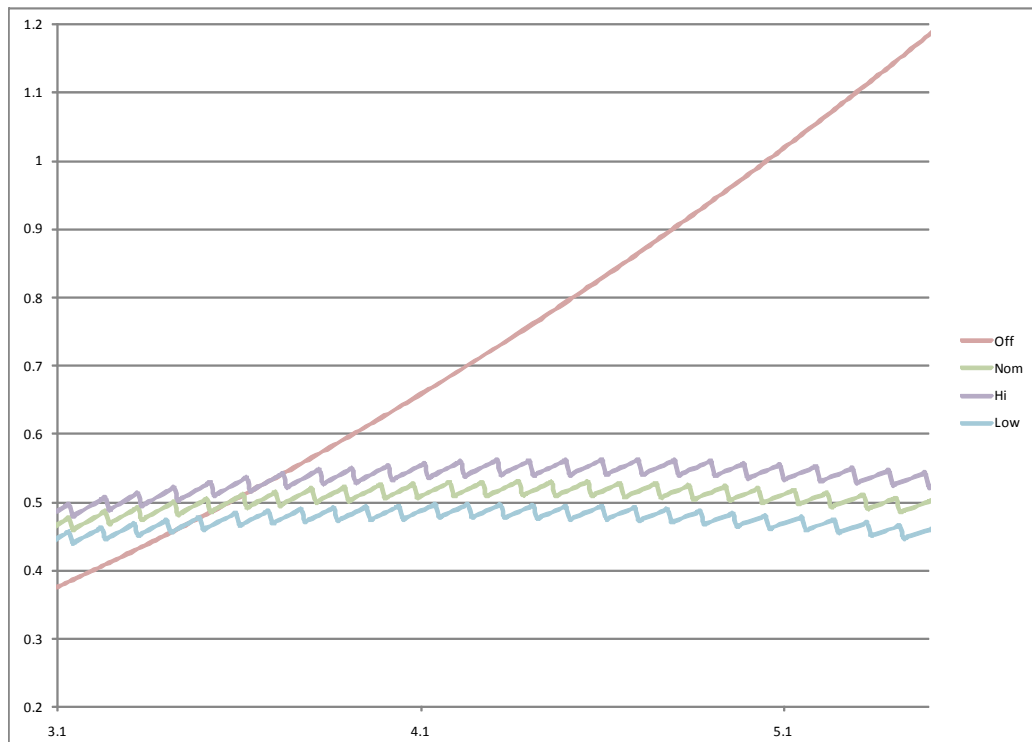


Figure 10. Constant Output Power nominal and high/low

3.14.2.2. Under Voltage Lock Out

When the PVDD supply becomes low, the BTL amplifier may be disabled to help prevent undesirable amplifier operation (overheat) or system level problems (battery under-voltage.)

The same circuit that monitors the PVDD supply to help maintain a constant output power is used to monitor the PVDD supply for a critical under-voltage situation. If the sense circuit consistently returns a 0 code then the PVDD supply is less than the minimum required for proper operation. To prevent accidental shutdown due to a noisy supply at the minimum operating range, the output of the PVDD sense circuit will be averaged for at least 200ms.

3.14.2.3. Registers

• Constant Output Power 1

| Register Address                     | Bit | Label          | Type | Default | Description  |
|--------------------------------------|-----|----------------|------|---------|--|
| R34 (22h)<br>Constant Output Power 1 | 7   | COPAtten       | RW   | 0       | 1 = Constant Output Power function will use attenuate the BTL output if the PVDD sense circuit returns a code higher than the target value.                            |
|                                      | 6   | COPGain        | RW   | 0       | 1 = Constant Output Power function will use attenuate the BTL output if the PVDD sense circuit returns a code higher than the target value.                            |
|                                      | 5   | HDeltaEn       | RW   | 0       | 1 = If the PVDD code value has changed more than 4 counts since the last gain adjustment, the output will be reduced rapidly then slowly returned to the target level. |
|                                      | 4:0 | COPTarget[4:0] | RW   | 8h      | 5-bit target for the Constant Output Power function.   |

Table 38. Constant Output Power 1 Register

# ACS32201

## LOWER-POWER, HIGH-FIDELITY, CLASS-D AMPLIFIER

- Constant Output Power 2

| Register Address                     | Bit | Label          | Type | Default | Description  |
|--------------------------------------|-----|----------------|------|---------|--|
| R35 (23h)<br>Constant Output Power 2 | 7   | RSVD           | R    | 0       | Reserved   |
|                                      | 6   | RSVD           | R    | 0       | Reserved   |
|                                      | 5:3 | AvgLength[2:0] | RW   | 000     | Number of sense cycles to average:<br>000 = 1<br>001 = 2<br>010 = 4<br>011 = 8<br>100 = 16<br>101 = 32<br>110 = 64<br>111 = 128                          |
|                                      | 2:0 | MonRate[2:0]   | RW   | 100     | Rate the PVDD supply is monitored:<br>000 = 0.0625ms<br>001 = 0.125ms<br>010 = 0.25ms<br>011 = 0.5ms<br>100 = 1ms<br>101 = 2ms<br>110 = 4ms<br>111 = 8ms |

Table 39. Constant Output Power 2 Register

- Constant Output Power 3

| Register Address                      | Bit | Label     | Type | Default | Description  |
|---------------------------------------|-----|-----------|------|---------|--|
| R137 (89h)<br>Constant Output Power 3 | 7   | HighDelta | R    | 0       | 1 = A high delta situation has been detected (positive code change > 4) and the constant output power function is adjusting.   |
|                                       | 6   | RSVD      | R    | 0       | 1 = Constant Output Power function will use attenuate the BTL output if the PVDD sense circuit returns a code higher than the target value.                            |
|                                       | 5:0 | COPAdj    | R    | 0h      | Amount that the Constant Output Power function is adjusting the signal gain. Value is 2s compliment with each step equal to 0.1875dB. The approximate range is +/- 6dB |

Table 40. Constant Output Power 3 Register

- Configuration Register

| Register Address     | Bit | Label     | Type | Default | Description   |
|----------------------|-----|-----------|------|---------|---|
| R31 (1Fh)<br>CONFIG0 | 7:2 | RSVD      | R    | 0h      | Reserved for future use.  |
|                      | 1   | dc_bypass | RW   | 0       | 1 = bypass DC removal filter<br><b>(WARNING DC content can damage speakers)</b> |
|                      | 0   | RSVD      | R    | 0       | Reserved  |

Table 41. CONFIG0 Register

# ACS32201

## LOWER-POWER, HIGH-FIDELITY, CLASS-D AMPLIFIER

- PWM Control 0 Register**

| Register Address  | Bit | Label         | Type | Default | Description  |
|-------------------|-----|---------------|------|---------|--|
| R66 (42h)<br>PWM0 | 7:5 | SCTO          | RW   | 11      | Class-D Short Circuit Detect Time-out<br>00 = 10uS<br>01 = 100uS<br>10 = 500uS<br>11 = 100mS |
|                   | 5   | UVLO          | RW   | 1       | Under Voltage Lock Out<br>1 = BTL output disabled if PVDD sense circuit returns code 0       |
|                   | 4   | roundup       | RW   | 1       | 1 = roundup, 0 = truncate for quantizer  |
|                   | 3   | bfclr         | RW   | 0       | 1 = disable binomial filter  |
|                   | 2   | fourthorder   | RW   | 1       | 1 = 4th order binomial filter; 0 = 3rd order   |
|                   | 1   | add3_sel      | RW   | 0       | 1 = 24-bit Noise Shaper output (pre-quantizer)<br>0 = 8/9/10-bit quantizer output            |
|                   | 0   | quantizer_sel | RW   | 0       |  |

Table 42. PWM0 Register

- PWM Control 1 Register**

| Register Address  | Bit | Label        | Type | Default | Description   |
|-------------------|-----|--------------|------|---------|---|
| R67 (43h)<br>PWM1 | 7   | RSVD         | R    | 0       | Reserved  |
|                   | 6:2 | dithpos[4:0] | RW   | 0       | Dither position, where dither inserted after NS.<br>0,1,2 = dither bits 2:0<br>4 = dither bits 3:1<br>5 = dither bits 4:1<br>....<br>19 = dither bits 19:17 |
|                   | 1   | dith_range   | RW   | 0       | 1 = dither -1 to +1, 0 = -3 to +3   |
|                   | 0   | dithclr      | RW   | 0       | 1 = disable dither  |

Table 43. PWM1 Register

- PWM Control 2 Register**

| Register Address  | Bit | Label       | Type | Default | Description  |
|-------------------|-----|-------------|------|---------|--|
| R68 (44h)<br>PWM2 | 7:2 | dvalue[5:0] | RW   | 18h     | dvalue constant field  |
|                   | 1   | pwm_outflip | RW   | 0       | 1 = swap pwm a/b output pair for all channels<br>The control lines to the power stage are swapped inverting the output signal. |
|                   | 0   | pwm_outmode | RW   | 1       | 1 = tristate, 0 = binary   |

Table 44. PWM2 Register

- PWM Control 3 Register**

| Register Address  | Bit | Label        | Type | Default | Description   |
|-------------------|-----|--------------|------|---------|---|
| R69 (45h)<br>PWM3 | 7:6 | outctrl[1:0] | RW   | 00      | pwm output muxing<br>0 = normal<br>1 = swap 0/1<br>2 = ch0 on both<br>3 = ch1 on both |
|                   | 5:0 | cvalue[5:0]  | RW   | 0Ah     | tristate constant field, must be even and not 0                                       |

Table 45. PWM3 Register



### 3.15. Other Output Capabilities

Each audio analog output can be separately enabled. Disabling outputs serves to reduce power consumption, and is the default state of the device.

#### 3.15.1. Audio Output Control

See Power management section. The output enable bits are also power management bits and the outputs will be turned off when disabled.

| Register Address                     | Bit | Label   | Type | Default | Description                 |
|--------------------------------------|-----|---------|------|---------|-----------------------------|
| R27 (1Bh)<br>Power Management<br>(2) | 7:5 | RSVD    | RW   | 0       | Reserved                    |
|                                      | 4   | SPKOutL | RW   | 0       | Left Speaker Output Enable  |
|                                      | 3   | SPKOutR | RW   | 0       | Right Speaker Output Enable |
|                                      | 2   | RSVD    | RW   | 0       |                             |
|                                      | 1   | RSVD    | RW   | 0       |                             |
|                                      | 0   | VREF    | RW   | 1       | Voltage reference           |

**Note:** A value of "1" indicates the output is enabled; a value of '0' disables the output.

**Table 46. Power Management 2 Register**

#### 3.15.2. Speaker Enable

The SPKR\_EN pin is used to enable the speaker outputs.. Control bits determine the meaning and polarity of the input.

3.15.2.1. Speaker Enable Register

| Register Address                         | Bit | Label | Type | Default | Description   |
|--|-----|-------|------|---------|---|
| R29 (1Ch)<br>Additional Control<br>(CTL) | 7   | SWEN  | RW   | 0       | SPKR_EN Input<br>0: disabled<br>1: enabled  |
|  | 6   | SWPOL | RW   | 0       | Speaker Polarity<br>0: Speaker off when pin is high<br>1: Speaker is on when pin is high  |
|  | 5:2 | RSVD  | RW   | 00      | Reserved  |
|  | 1   | TSDEN | RW   | 0       | Thermal Shutdown Enable (See section 7.9)<br>0: thermal shutdown disabled<br>1: thermal shutdown enabled  |
|  | 0   | TOEN  | RW   | 0       | Zero Cross Time-out Enable<br>0: Time-out Disabled<br>1: Time-out Enabled - volumes updated if no zero cross event has occurred before time-out |

Table 47. Additional Control Register

3.15.3. Speaker Operation

| SWEN | SWPOL | SPKR_EN<br>Pin state | SPKOut <sup>1</sup> | Speaker<br>Enabled |
|------|-------|----------------------|---------------------|--------------------|
| 0    | X     | X                    | 0                   | no                 |
| 0    | X     | X                    | 1                   | yes                |
| 1    | 0     | 0                    | 0                   | no                 |
| 1    | 0     | 0                    | 1                   | yes                |
| 1    | 0     | 1                    | X                   | no                 |
| 1    | 1     | 0                    | X                   | no                 |
| 1    | 1     | 1                    | 0                   | no                 |
| 1    | 1     | 1                    | 1                   | yes                |

Table 48. Speaker Operation

1.SPKOut = Logical OR of the SPKL and SPKR enable (power state) bits

3.16. Thermal Shutdown

To avoid overpowering and overheating the codec when the amplifier outputs are driving large currents, the ACS32201 incorporates a thermal protection circuit. If enabled, and the device temperature reaches approximately 150°C, the speaker and headphone amplifier outputs will be disabled. Once the device cools, the outputs will be automatically re-enabled.

3.16.1. Algorithm description:

There are 2 trip points, “high” and “low”. High indicates a critical overheat requiring a reduction in volume to avoid damage to the part. Low is set for a slightly lower temperature point, indicating that the current level is safe but that increased volume would result in a critical overheat condition.

Normally, the overheat bits are polled every 8ms but may be polled at 4ms, 8ms, 16ms, or 32ms by adjusting the Poll value. Reductions in volume will be allowed to happen at the Poll rate. Increases in volume are programmable to happen every 1, 2, 4, or 8 Poll cycles and in steps of 0.75dB to 6dB. This allows a full scale volume increase in a range of 10s of milliseconds to 10s of seconds.

When both overheat bits are 0, the volume is allowed to increment by the IncStep size, unless the volume has already reached the maximum value allowed. Any subsequent increment will be held off until the programmed number of polling cycles have occurred.

When the low overheat bit is 1 and the high overheat bit is 0, this indicates that the volume is currently at a safe point but the temperature is higher than desired and incrementing the volume may cause severe overheating. The volume is held at the current value.

When the high overheat bit is 1, damage could occur, so the volume setting will be immediately reduced by the Decrement Step value. As the overheat bits are re-pollled, this volume reduction will continue until the high overheat bit drops to 0 or the volume value reaches the minimum setting. If the high overheat bit remains 1 even at the minimum setting, then the mute control bit will be asserted. If the high overheat bit persists even after mute, then the BTL amp will be powered down.

### 3.16.2. Thermal Trip Points.

The high and low trip points can be adjusted to suit the needs of a particular system implementation. There is a “shift” value (TripShift) which sets the low trip point, and there is a “split” value (TripSplit) that sets how many degrees above the low trip point the high trip point is.

By default:

TripShift = 2 (140 degrees C)  
TripSplit = 0 (15 degrees C)

Therefore:

High Trip Point = 155°C.  
Low Trip Point = 140°C.

Figure 11.

### 3.16.3. Instant Cut Mode

This mode can be used to make our algorithm react faster to reduce thermal output but will cause more pronounced volume changes. If enabled:

- Only the high overheat is used, the low overheat is ignored.
- Whenever polled, if the high overheat is 1, then the volume setting will immediately be set to 0h.
- Conversely, if the high overheat is 0, the volume setting will immediately be set to the MaxVol value.
- Both volume clear and volume set events occur at the polling rate.

During this mode, the algorithm still possesses the ability to mute and then power down the BTL amp if the high overheat continues to be 1. This mode is disabled by default.

### 3.16.4. Short Circuit Protection

To avoid damage to the outputs if a short circuit condition should occur, both the headphone and BTL amplifiers implement short circuit protection circuits. The headphone output amplifier will detect the load current and limit its output if in an over current state. The BTL amplifier will sense a short to PVDD, ground, or between its +/- outputs and disable its output if a short is detected. After a brief time, the amplifier will turn on again. If a short circuit condition is still present, the amplifier will disable itself again.

**3.16.5. Thermal Shutdown Registers**

The thermal shutdown circuit is enabled using the Additional Control Register, see Table 49.

**3.16.5.1. Additional Control Register**

| Register Address                         | Bit | Label | Type | Default | Description   |
|--|-----|-------|------|---------|---|
| R29 (1Ch)<br>Additional Control<br>(CTL) | 7   | SWEN  | RW   | 0       | SPKR_EN Input<br>0: disabled<br>1: enabled  |
|  | 6   | SWPOL | RW   | 0       | Speaker Polarity<br>0: off<br>1: on   |
|  | 5:2 | RSVD  | RW   | 00      | Reserved  |
|  | 1   | TSDEN | RW   | 0       | Thermal Shutdown Enable (See section 7.9)<br>0: thermal shutdown disabled<br>1: thermal shutdown enabled  |
|  | 0   | TOEN  | RW   | 0       | Zero Cross Time-out Enable<br>0: Time-out Disabled<br>1: Time-out Enabled - volumes updated if no zero cross event has occurred before time-out |

**Table 49. Additional Control Register**

**3.16.5.2. Temp Sensor Control/Status Register**

| Register Address  | Bit | Label          | Type | Default | Description  |
|---|-----|----------------|------|---------|--|
| R29 (1Dh)<br>Temp Sensor<br>Control/Status<br>(THERMTS) | 7   | TripHighStat   | R    | 0       | Temp sensor high trip point status<br>0 = Normal Operation<br>1 = Over Temp Condition  |
|   | 6   | TripLowStat    | R    | 0       | Temp sensor low trip point status<br>0 = Normal Operation<br>1 = Over Temp Condition   |
|   | 5:4 | TripSplit[1:0] | RW   | 0h      | Temp sensor “split” setting. Determines how many degrees above the low trip point the high trip is set:<br>0h = 15 Degrees C<br>1h = 30 Degrees C<br>2h = 45 Degrees C<br>3h = 60 Degrees C. |
|   | 3:2 | TripShift[1:0] | RW   | 2h      | Temp sensor “shift” setting. Determines the low trip temperature:<br>0h = 110 Degrees C<br>1h = 125 Degrees C<br>2h = 140 Degrees C<br>3h = 155 Degrees C.                                   |
|   | 1:0 | Poll[1:0]      | RW   | 1h      | Temp sensor polling interval<br>0h = 4ms<br>1h = 8ms<br>2h = 16ms<br>3h = 32ms   |

**Table 50. THERMTS Register**

3.16.5.3. Temp Sensor Status Register

| Register Address  | Bit | Label         | Type | Default | Description  |
|---|-----|---------------|------|---------|--|
| R30 (1Eh)<br>Speaker Thermal<br>Algorithm Control<br>(THERMSPKR1) | 7   | ForcePwd      | RW   | 1       | Force powerdown enable for the speaker thermal algorithm:<br>0 = Speaker will remain powered up even if the temp sensor continues to report an overheat condition at minimum volume (mute)<br>1 = Speaker will be powered down if the temp sensor reports an overheat at the minimum volume (mute) |
|   | 6   | InstCutMode   | RW   | 0       | Instant Cut Mode<br>0 = Both temp sensor status bits used to smoothly adjust the volume.<br>1 = Only the high temp sensor status bit will be used to set the volume. volume will be set to the full volume or mute (IncStep and DecStep are ignored.)  |
|   | 5:4 | IncRatio[1:0] | RW   | 0h      | Increment interval ratio. Determines the ratio between the speaker volume increment interval and the speaker volume decrement interval (increment rate is equal to or slower than decrement rate):<br>0h = 1:1<br>1h = 2:1<br>2h = 4:1<br>3h = 8:1   |
|   | 3:2 | IncStep[1:0]  | RW   | 0h      | Increment step size for the speaker thermal control algorithm (occurs at the temp sensor polling rate X the increment interval ratio.)<br>0h = 0.75dB<br>1h = 1.5dB<br>2h = 3.0dB<br>3h = 6.0dB  |
|   | 1:0 | DecStep[1:0]  | RW   | 1h      | Decrement step size for the speaker thermal control algorithm (occurs at the temp sensor polling rate.)<br>0h = 3dB<br>1h = 6dB<br>2h = 12dB<br>3h = 24dB  |

Table 51. THERMTSPKR1 Register

| Register Address  | Bit | Label          | Type | Default | Description  |
|---|-----|----------------|------|---------|--|
| R136 (88h)<br>Speaker Thermal<br>Algorithm Status<br>(THERMSPKR2) | 7   | ForcePwdStatus | R    | 0       | 0: Speaker not powered down due to thermal algorithm<br>1: Speaker has been powered down because overtemp condition was present even though the speaker was muted.               |
|   | 6:0 | VolStatus[6:0] | R    | 08      | Current speaker volume value. If no overheat is being reported by the temperature sensor, this value should be equal to the greater of the left or right speaker volume setting. |

Table 52. THERMTSPKR2 Register

4. DIGITAL AUDIO AND CONTROL INTERFACES

4.1. Data Interface

For digital audio data, the ACS32201 uses 3 pins to input and output digital audio data.

- DACDIN: DAC data input
- DACLRCK: DAC data alignment clock
- DACBCLK: Bit clock, for synchronization

The clock signals DACBCLK and DACLRCK are outputs when the ACS32201 operates as a master; they are inputs when it is a slave. Three different data formats are supported:

- Left justified
- Right justified
- I<sup>2</sup>S

All of these modes are MSB first.

4.2. Master and Slave Mode Operation

The ACS32201 can be used as either a master or slave device, selected by the MS Bit. When operating as a master, the ACS32201 generates DACBCLK and DACLRCK and controls sequencing of the data transfer the data pins. In slave mode, the ACS32201 provides data aligned to clocks it receives.

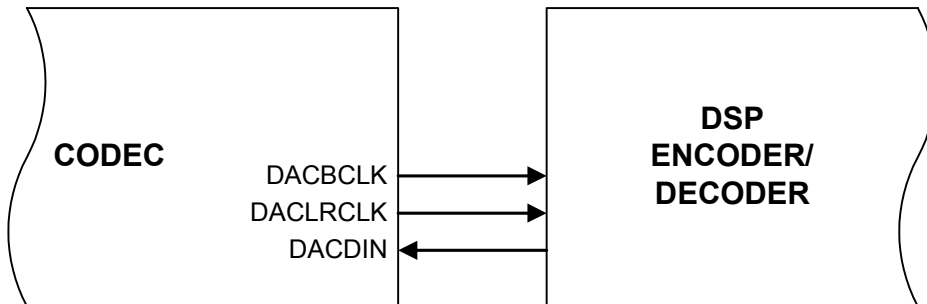


Figure 12. Master mode

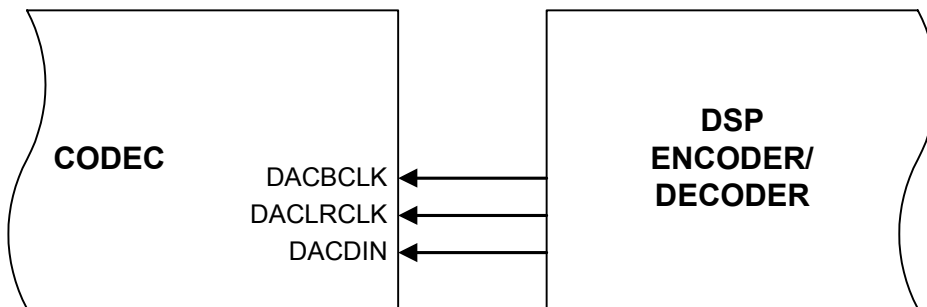


Figure 13. Slave mode

### 4.3. Audio Data Formats

The ACS32201 supports 3 common audio interface formats and programmable clocking that provides broad compatibility with DSPs, Consumer Audio and Video SOCs, FPGAs, handset chipsets, and many other products.

In all modes, depending on word length, BCLK frequency and sample rate, there may be unused BCLK cycles before each LRCLK transition. If the converter word length is smaller than the number of clocks per sample in the frame then the DAC will ignore (truncate) the extra bits. If the converter word length chosen is larger than the number of clocks available per sample in the frame, and the DAC data will be zero padded.

### 4.4. Left Justified Audio Interface

In Left Justified mode, the MSB is available on the first rising edge of BCLK following a LRCLK transition. The other bits are then transmitted in order. The LRCLK signal is high when left channel data is present and low when right channel data is present.

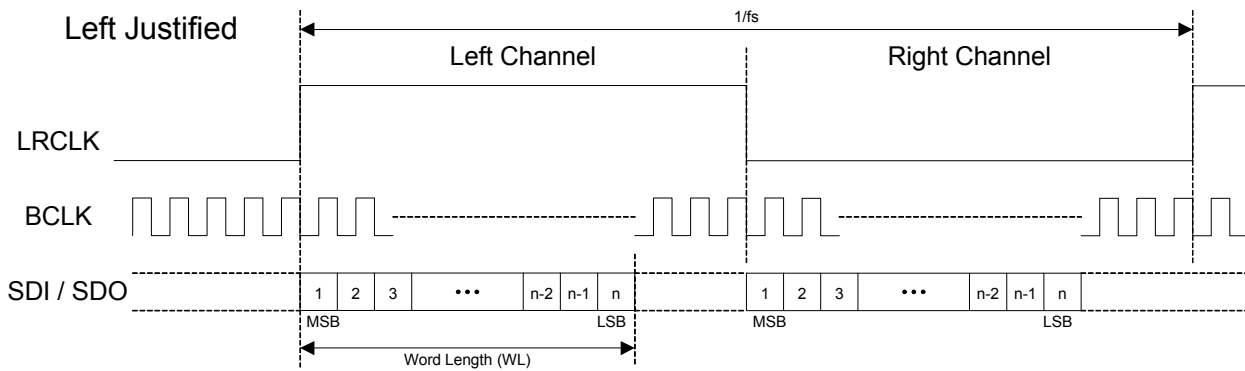


Figure 14. Left Justified Audio Interface (assuming n-bit word length)

### 4.5. Right Justified Audio Interface (assuming n-bit word length)

In Right Justified mode, the LSB is available on the last rising edge of BCLK before a LRCLK transition. All other bits are transmitted in order. The LRCLK signal is high when left channel data is present and low when right channel data is present.

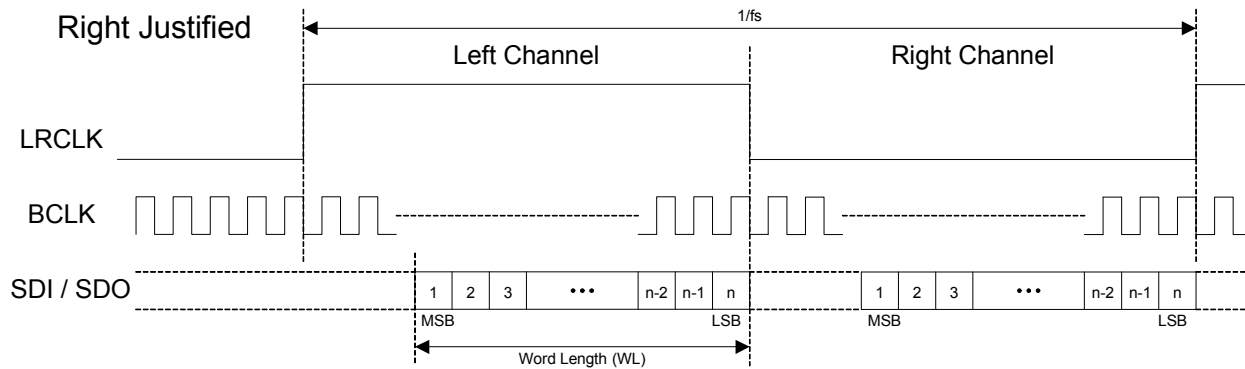


Figure 15. Right Justified Audio Interface (assuming n-bit word length)

### 4.6. I<sup>2</sup>S Format Audio Interface

In I<sup>2</sup>S mode, the MSB is available on the second rising edge of BCLK following a LRCLK transition. The other bits up to the LSB are then transmitted in order.

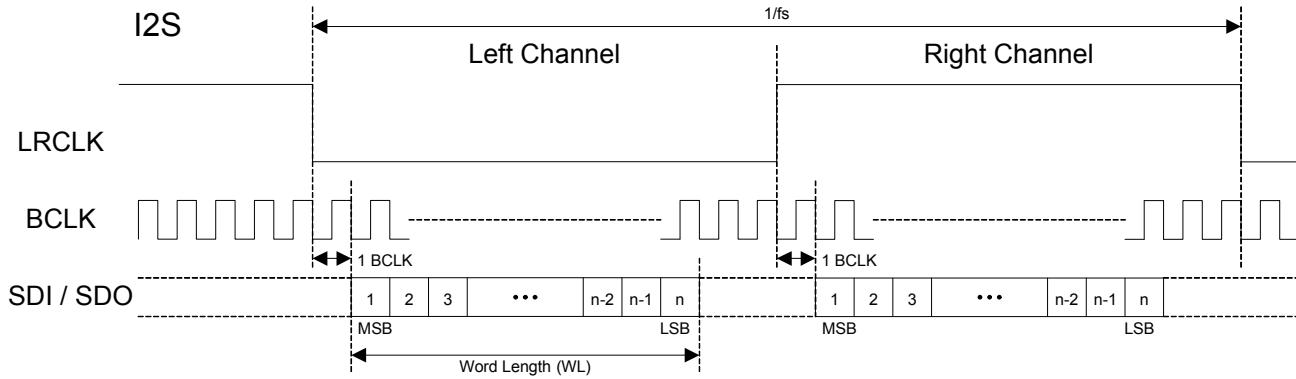


Figure 16. I<sup>2</sup>S Justified Audio Interface (assuming n-bit word length)

### 4.7. Data Interface Registers

#### 4.7.1. Audio Data Format Control Register

| Register Address   | Bit | Label       | Type | Default | Description  |
|--|-----|-------------|------|---------|--|
| R19 (13h)<br>Digital Audio Interface<br>Format<br>(AIC1) | 7   | RSVD        | R    | 0       | Reserved   |
|  | 6   | BCLKINV     | RW   | 0       | BCLK invert bit (for master and slave modes)<br>0 = BCLK not inverted<br>1 = BCLK inverted                               |
|  | 5   | MS          | RW   | 0       | Master / Slave Mode Control<br>1 = Enable Master Mode<br>0 = Enable Slave Mode   |
|  | 4   | LRP         | RW   | 0       | Right, left and I <sup>2</sup> S modes – LRCLK polarity<br>1 = invert LRCLK polarity<br>0 = normal LRCLK polarity        |
|  | 3:2 | WL[1:0]     | RW   | 10      | Audio Data Word Length<br>11 = 32 bits<br>10 = 24 bits<br>01 = 20 bits<br>00 = 16 bits                                   |
|  | 1:0 | FORMAT[1:0] | RW   | 10      | Audio Data Format Select<br>11 = Reserved<br>10 = I <sup>2</sup> S Format<br>01 = Left justified<br>00 = Right justified |

Table 53. AIC1 Register



**4.7.2. Audio Interface Output Tri-state**

TRI is used to tri-state the DACLRCK and DACBCLK pins. In Slave mode (MASTER=0) all pins are configured as inputs. The Tri-stated pins are pulled low with an internal pull-down resistor unless that resistor is disabled.

| Register Address                                    | Bit | Label        | Type | Default | Description  |
|---|-----|--------------|------|---------|--|
| R20 (14h)<br>Audio Interface<br>Control 2<br>(AIC2) | 7:6 | DACDSEL[1:0] | RW   | 00      | 00: left DAC = left I2S data; right DAC = right I2S data<br>01: left DAC = left I2S data; right DAC = left I2S data<br>10: left DAC = right I2S data; right DAC = right I2S data<br>11: left DAC = right I2S data; right DAC = left I2S data |
|   | 5:4 | RSVD         | RW   | 00      | Reserved   |
|   | 3   | TRI          | RW   | 0       | Tri-states DACLRCLK and DACBCLK pins.<br>0 = DACLRCLK and DACBCLK are inputs (slave mode) or outputs (master mode)<br>1 = DACLRCLK and DACBCLK are high impedance  |
|   | 2:0 | BLRCM[2:0]   | RW   | 000     | Bitclock and LRClock mode. See Table Below   |

Table 54. AIC2 Register

**4.7.3. Audio Interface Control 3 Register**

| Register Address                                    | Bit | Label  | Type | Default | Description  |
|---|-----|--------|------|---------|--|
| R21 (15h)<br>Audio Interface<br>Control 3<br>(AIC3) | 7:3 | RSVD   | R    | 0       | Reserved   |
|   | 2   | DDIPDD | RW   | 0       | DACDIN Pull-Down Disable<br>0 = Pull-Down active<br>1 = Pull-Down always disabled                            |
|   | 1   | DLRPDD | RW   | 0       | DACLRLCK Pull-Down Disable<br>0 = Pull-Down active when configured as input<br>1 = Pull-Down always disabled |
|   | 0   | DBCPDD | RW   | 0       | DACBCLK Pull-Down Disable<br>0 = Pull-Down active when configured as input<br>1 = Pull-Down always disabled  |

Table 55. AIC3 Register

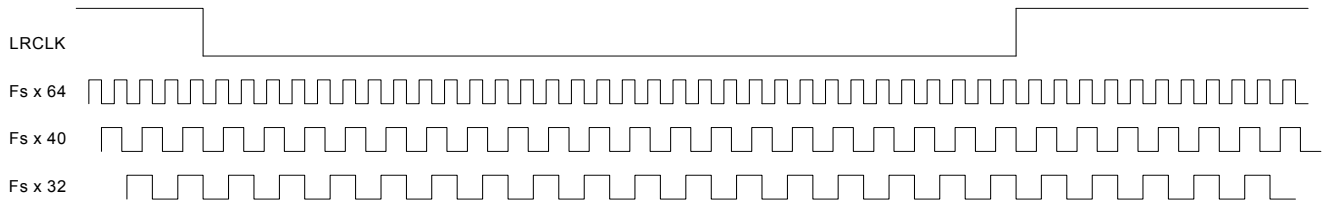
**4.8. Bit Clock Mode**

The default master mode bit clock generator automatically produces a bit clock frequency based on the sample rate and word length. When enabled by setting the appropriate BCM bits, the bit clock mode (BCM) function overrides the default master mode bit clock generator to produce the bit clock frequency shown below: Note that selecting a word length of 24-bits in Auto mode generates 64 clocks per frame (64fs)

| Register Address                            | Bit | Label     | Type | Default | Description   |
|---|-----|-----------|------|---------|---|
| R25 (17h/19h)<br>DAC Sample Rate<br>Control | 7:6 | DBCM[1:0] | RW   | 00      | BCLK Frequency<br>00 = Auto<br>01 = 32 x fs<br>10 = 40 x fs<br>11 = 64 x fs |

Table 56. Master Mode BCLK Frequency Control Register

The BCM mode bit clock generator produces 16, 20, or 32 bit cycles per sample.



**Figure 17. Bit Clock mode**

*Note: The clock cycles are evenly distributed throughout the frame (true multiple of LRCLK not a gated clock.)*

## 4.9. Control Interface

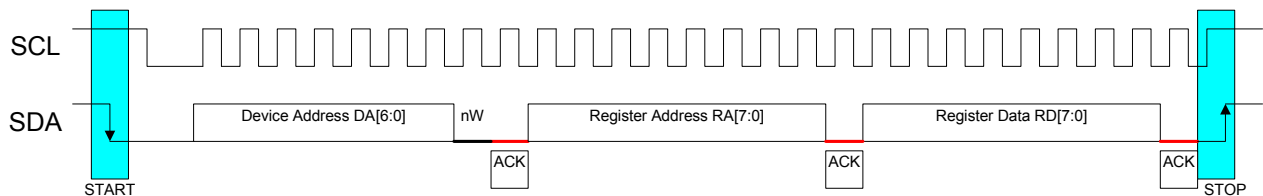
The registers are accessed through a serial control interface using a multi-word protocol comprised of 8-bit words. The first 8 bits provide the device address and Read/Write flag. In a write cycle, the next 8 bits provide the register address; all subsequent words contain the data, corresponding to the 8 bits in each control register. The control interface operates using a standard 2-wire interface, as a slave device only.

### 4.9.1. Register Write Cycle

The controller indicates the start of data transfer with a high to low transition on SDA while SCL remains high, signalling that a device address and data will follow. All devices on the 2-wire bus respond to the start condition and shift in the next eight bits on SDIN (7-bit address + Read/Write bit, MSB first). If the device address received matches the address of the ACS32201 and the R/W bit is '0', indicating a write, then the ACS32201 responds by pulling SDA low on the next clock pulse (ACK); otherwise, the ACS32201 returns to the idle condition to wait for a new start condition and valid address.

Once the ACS32201 has acknowledged a correct device address, the controller sends the ACS32201 register address. The ACS32201 acknowledges the register address by pulling SDA low for one clock pulse (ACK). The controller then sends a byte of data (B7 to B0), and the ACS32201 acknowledges again by pulling SDA low.

When there is a low to high transition on SDA while SCL is high, the transfer is complete. After receiving a complete address and data sequence the ACS32201 returns to the idle state. If a start or stop condition is detected out of sequence, the device returns to the idle condition.

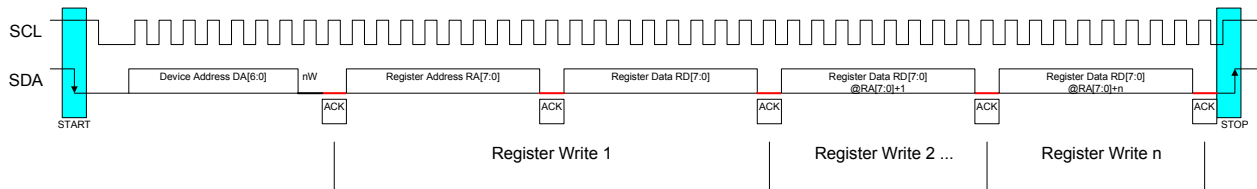


**Figure 18. 2-Wire Serial Control Interface**

The ACS32201 has device address D4.

**4.9.2. Multiple Write Cycle**

The controller may write more than one register within a single write cycle. To write additional registers, the controller will not generate a stop or start (repeated start) command after receiving the acknowledge for the second byte of information (register address and data). Instead the controller will continue to send bytes of data. After each byte of data is received, the register address is incremented.



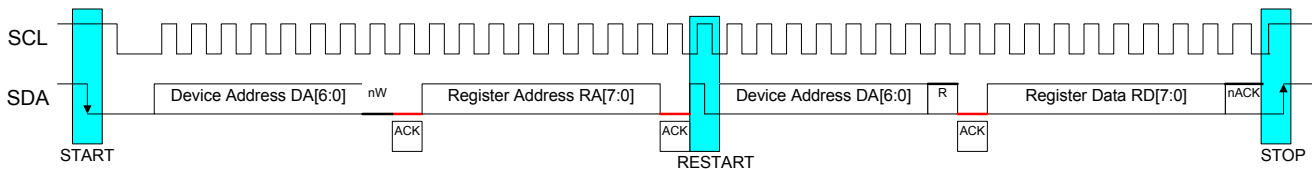
**Figure 19. Multiple Write Cycle**

**4.9.3. Register Read Cycle**

The controller indicates the start of data transfer with a high to low transition on SDA while SCL remains high, signalling that a device address and data will follow. If the device address received matches the address of the ACS32201 and the R/W bit is '0', indicating a write, then the ACS32201 responds by pulling SDA low on the next clock pulse (ACK); otherwise, the ACS32201 returns to the idle condition to wait for a new start condition and valid address.

Once the ACS32201 has acknowledged a correct address, the controller sends a restart command (high to low transition on SDA while SCL remains high). The controller then re-sends the devices address with the R/W bit set to '1' to indicate a read cycle. The ACS32201 acknowledges by pulling SDA low for one clock pulse. The controller then receives a byte of register data (B7 to B0).

For a single byte transfer, the host controller will not acknowledge (high on data line) the data byte and generate a low to high transition on SDA while SCL is high, completing the transfer. If a start or stop condition is detected out of sequence, the device returns to the idle condition.



**Figure 20. Read Cycle**

The ACS32201 has device address D4.

**4.9.4. Multiple Read Cycle**

The controller may read more than one register within a single read cycle. To read additional registers, the controller will not generate a stop or start (repeated start) command after sending the acknowledge for the byte of data. Instead the controller will continue to provide clocks and acknowledge after each byte of received data. The codec will automatically increment the internal register address after each register has had its data successfully read (ACK from host) but will not increment the register address if the data is not received correctly by the host (nACK from host) or if the bus cycle is terminated unexpectedly (however the EQ/Filter address will be incremented even if the register address is not incremented when performing EQ/Filter RAM reads). By automatically incrementing the internal register address after each byte is read, all the internal registers of the codec may be read in a single read cycle.

# ACS32201

## LOWER-POWER, HIGH-FIDELITY, CLASS-D AMPLIFIER



Figure 21. Multiple Read Cycle

### 4.9.5. Device Addressing and Identification

The ACS32201 has a default slave address of D4. However, it is sometimes necessary to use a different address. The ACS32201 has a device address register for this purpose. The part itself has an 8-bit Identification register and an 8-bit revision register that provide device specific information for software. In addition, an 8-bit programmable subsystem ID register can allow firmware to provide a descriptive code to higher level software such as an operating system driver or application software.

#### 4.9.5.1. Device Registers

- **Device Address Register**

| Register Address     | Bit | Label     | Type | Default | Description   |
|----------------------|-----|-----------|------|---------|---|
| R124 (7Ch)<br>DEVADR | 7:1 | ADDR[7:1] | RW   | 1101010 | 7-bit slave address   |
|                      | 0   | RSVD      | R    | 0       | Not used - this bit is the R/nW bit in the 2-wire protocol. |

Table 57. DEVADR Register

- **Device Identification Registers**

| Register Address     | Bit | Label     | Type | Default | Description                                       |
|----------------------|-----|-----------|------|---------|---|
| R126 (7Eh)<br>DEVIDH | 7:0 | DID[15:8] | R    | 32h     | 16-bit device identification number. Contact TSI. |
| R125 (7Dh)<br>DEVIDL | 7:0 | DID[7:0]  | R    | 01h     |   |

Table 58. DEVID H&L Registers

- **Device Revision Register**

| Register Address    | Bit | Label    | Type | Default | Description                               |
|---------------------|-----|----------|------|---------|---|
| R127 (7Fh)<br>REVID | 7:4 | MAJ[3:0] | R    | xh      | 4-bit major revision number. Contact TSI. |
|                     | 3:0 | MNR[3:0] | R    | xh      | 4-bit minor revision number. Contact TSI. |

Table 59. REVID Register

#### 4.9.5.2. Register Reset

The ACS32201 registers may be reset to their default values using the reset register. Writing a special, non-zero value to this register causes all other registers to assume their default states. Device status bits will not necessarily change their values depending on the state of the device.

| Register Address    | Bit | Label      | Type | Default | Description   |
|---------------------|-----|------------|------|---------|---|
| R128 (80h)<br>RESET | 7:0 | Reset[7:0] | RW   | 00h     | Reset register<br>Writing a value of 85h will cause registers to assume their default values. Reading this register returns 00h |

Table 60. RESET Register

5. AUDIO CLOCK GENERATION

5.1. Internal Clock Generation (ACLK)

The PLL block provides two clocks for the audio portion of the device. They are

- 122.880 MHz (2560 x 48 KHz)
- 112.896 (2560 x 44.1 KHz)

5.1.1. External MCLK

The ACS32201 is designed to use an external clock (MCLK) whose frequency is 11.2896MHz when playing 44.1KHz audio or 12.288MHz when playing 48KHz audio. Other frequencies are acceptable, but please contact your TSI support representative for assistance in ensuring compatibility. An active MCLK is required when power is applied for proper operation. MCLK is required for I2S communication.

5.2. ACLK Clocking and Sample Rates

The ACS32201 utilizes internal PLLs to generate the audio master clocks (ACLK) at 56.448MHz (22.5792MHz \*2.5) and 61.44MHz (24.576 \*2.5). It then generates audio sample rates directly from the audio master clocks. After changing rate, a delay of up to 5mS may be needed for the part to properly lock PLLs, flush filters, etc.

| Register Address                             | Bit | Label     | Type | Default | Description   |
|--|-----|-----------|------|---------|---|
| R25 (19h)<br>DAC Sample Rate Control (DACSR) | 7:6 | DBCM[1:0] | RW   | 00      | DAC Bit Clock Mode (for data interface DACBCLK generation in master mode)<br>00 = Auto<br>01 = 32x fs<br>10 = 40x fs<br>11 = 64x fs |
|  | 5   | RSVD      | R    | 0       | Reserved  |
|  | 4:3 | DBR[1:0]  | RW   | 10      | DAC Base Rate<br>00 = 32KHz<br>01 = 44.1KHz<br>10 = 48KHz<br>11 = Reserved  |
|  | 2:0 | DBM[2:0]  | RW   | 010     | DAC Base Rate Multiplier<br>000 = 0.25x<br>001 = 0.50x<br>010 = 1x<br>011 = 2x<br>100-111 = Reserved                                |

Table 61. DACSR Register

The clocking of the ACS32201 is controlled using the BR[1:0] and BM[2:0] control bits. Each value of BR[1:0] + BM[2:0]selects one combination of ACLK division ratios and hence one combination of sample rates

# ACS32201

## LOWER-POWER, HIGH-FIDELITY, CLASS-D AMPLIFIER

The BR[1:0] and BM[2:0] bits must be set to configure the appropriate ADC and DAC sample rates in both master and slave mode.

| BR [1:0] | BM [2:0] | ACLK      | SAMPLE RATE            |
|----------|----------|-----------|------------------------|
| 00       | 000      | 40.96 MHz | 8 kHz (MCLK/5120)      |
|          | 001      |           | 16 kHz (MCLK/2560)     |
|          | 010      |           | 32 kHz (MCLK/1280)     |
|          | 011      |           | Reserved               |
|          | 100-111  |           | Reserved               |
| 01       | 000      | 56.448MHz | 11.025 kHz (MCLK/5120) |
|          | 001      |           | 22.05 kHz (MCLK/2560)  |
|          | 010      |           | 44.1 kHz (MCLK/1280)   |
|          | 011      |           | 88.2 kHz (MCLK/640)    |
|          | 100-111  |           | Reserved               |
| 10       | 000      | 61.44 MHz | 12 kHz (MCLK/5120)     |
|          | 001      |           | 24 kHz (MCLK/2560)     |
|          | 010      |           | 48 kHz (MCLK/1280)     |
|          | 011      |           | 96 kHz (MCLK/640)      |
|          | 100-111  |           | Reserved               |
| 11       | 000-111  | -         | Reserved               |

**Table 62. ACLK and Sample Rates**

## 6. CHARACTERISTICS

### 6.1. Electrical Specifications

#### 6.1.1. Absolute Maximum Ratings

Stresses above the ratings listed below can cause permanent damage to the ACS32201. These ratings, which are standard values for TSI commercially rated parts, are stress ratings only. Functional operation of the device at these or any other conditions above those indicated in the operational sections of the specifications is not implied. Exposure to absolute maximum rating conditions for extended periods can affect product reliability. Electrical parameters are guaranteed only over the recommended operating temperature range.

| Item                                  | Maximum Rating           |
|---------------------------------------|--------------------------|
| Voltage on any pin relative to Ground | Vss - 0.3V TO Vdd + 0.3V |
| Operating Temperature                 | 0 °C TO 70 °C            |
| Storage Temperature                   | -55 °C TO +125 °C        |
| Soldering Temperature                 | 260 °C                   |
| Amplifier Maximum Supply Voltage      | 6 Volts = PVDD           |
| Digital I/O Maximum Supply Voltage    | 3.6 Volts = DVDD_IO      |
| Digital Core Maximum Supply Voltage   | 2.0 Volts = DVDD         |

Table 63. Electrical Specification: Maximum Ratings

#### 6.1.2. Recommended Operating Conditions

| Parameter                     |                   | Min. | Typ. | Max. | Units |
|-------------------------------|-------------------|------|------|------|-------|
| Power Supplies                | DVDD_Core         | 1.4  |      | 2.0  | V     |
|                               | DVDD_IO           | 1.4  |      | 3.5  |       |
|                               | AVDD              | 1.7  |      | 2.0  |       |
|                               | PVDD              | 3.0  |      | 5.5  | V     |
| Ambient Operating Temperature | Analog - 5 V      | 0    | 25   | 70   | °C    |
| Case Temperature              | T <sub>case</sub> |      |      | 90   | °C    |

Table 64. Recommended Operating Conditions

**ESD:** The ACS32201 is an ESD (electrostatic discharge) sensitive device. The human body and test equipment can accumulate and discharge electrostatic charges up to 4000 Volts without detection. Even though the ACS32201 implements internal ESD protection circuitry, proper ESD precautions should be followed to avoid damaging the functionality or performance.

# ACS32201

## LOWER-POWER, HIGH-FIDELITY, CLASS-D AMPLIFIER

### 6.2. Device Characteristics

( $T_{\text{ambient}} = 25\text{ }^{\circ}\text{C}$ , DVDD\_CORE=DVDD\_IO=AVDD=1.9V, PVDD=3.6V, 997Hz signal, fs=48KHz, Input Gain=0dB, 24-bit audio)

| Parameter   | Symbol                          | Test Conditions                                     | Min                 | Typ             | Max                 | Unit             |
|---|---------------------------------|---|---------------------|-----------------|---------------------|------------------|
| <b>Speaker Outputs (L+, L-, R+, R- with 8ohms bridge-tied load)</b> |                                 |   |                     |                 |                     |                  |
| Full Scale Output Level   | $V_{\text{FSOV}}$               | PVDD=5V<br>PVDD=3.6V                                |                     | 3.0<br>2.1      |                     | Vrms             |
| Output Power  | $P_{\text{O}}$                  | 997Hz full scale signal, output power mode disabled |                     |                 |                     |                  |
|   |                                 | PVDD=5V, 8ohm, 10% THD+N                            | 1.75                |                 |                     | W(ave)           |
|   |                                 | PVDD=5V, 8ohm, <1% THD+N                            | 1                   |                 |                     |                  |
|   |                                 | PVDD=3.6V, 8ohm, <1% THD+N                          | 0.5                 |                 |                     |                  |
|   |                                 | PVDD=5V, 4ohm, 10% THD+N                            | 3                   |                 |                     | W(ave)           |
|   |                                 | PVDD=5V, 4ohm, <1% THD+N                            | 2                   |                 |                     |                  |
|   |                                 | PVDD=3.6V, 4ohm, <1% THD+N                          | 1                   |                 |                     |                  |
| Signal to Noise Ratio   | SNR                             | A-weighted  |                     | 90              |                     | dB               |
| Speaker Supply Leakage Current                                      | $I_{\text{PVDD}}$               |   |                     | 1               |                     | uA               |
| Efficiency  | h                               | PVDD=3.6V RL=8, $P_{\text{O}} = 0.5\text{W}$        |                     | 87              |                     | %                |
|   |                                 | PVDD=5V RL=8, $P_{\text{O}} = 1\text{W}$            |                     | 87              |                     |                  |
|   |                                 | PVDD=3.6V RL=4, $P_{\text{O}} = 1\text{W}$          |                     | 83              |                     |                  |
|   |                                 | PVDD=5V RL=4, $P_{\text{O}} = 2\text{W}$            |                     | 83              |                     |                  |
| Charge Pump Output  | V-                              |   | -5%                 | -AVDD<br>+100mV | +5%                 | V                |
| <b>Digital Input</b>  |                                 |   |                     |                 |                     |                  |
| DAC BCLK input rate   | Fmax                            |   |                     | 30              |                     | MHz              |
| I2S BCLK/LRCLK ratio  |                                 |   | 32                  |                 | 1022                | clocks/<br>frame |
| Input High Level  | $V_{\text{IH}}$                 |   | 0.7x<br>DVDD_<br>IO |                 |                     | V                |
| Input LOW Level   | $V_{\text{IL}}$                 |   |                     |                 | 0.3x<br>DVDD_<br>IO | V                |
| Output High Level   | $V_{\text{OH}}$                 | $I_{\text{OH}}=-1\text{mA}$                         | 0.9x DVDD_IO        |                 |                     | V                |
| Output LOW Level  | $V_{\text{OL}}$                 | $I_{\text{OL}}=1\text{mA}$                          |                     | 0.1xDVDD_IO     |                     | V                |
| Input Capacitance   |                                 |   |                     | 5               |                     | pF               |
| Input Leakage   |                                 |   | -0.9                |                 | 0.9                 | uA               |
| Internal Pull-Up Resistor   | $R_{\text{PU}} / R_{\text{PU}}$ | All Digital I/O pins with pull-up or pull-down      |                     | 50              |                     | k $\Omega$       |
| <b>ESD / Latchup</b>  |                                 |   |                     |                 |                     |                  |
| IEC1000-4-2   |                                 |   | 1                   |                 |                     | Level            |
| JESD22-A114-B   |                                 |   | 2                   |                 |                     | Class            |
| JESD22-C101   |                                 |   | 4                   |                 |                     | Class            |

Table 65. Device Characteristics



### 6.3. PLL Electrical Characteristics

Unless stated otherwise, DVDD\_Core=1.8V -0.1V/+0.2V, Ambient Temp -10C to +80C

| Parameter                   | Symbol                      | Test Conditions   | Min               | Typ    | Max           | Unit |
|-----------------------------|-----------------------------|-------------------|-------------------|--------|---------------|------|
| Operating Voltage           | DVDD_CORE                   |                   | 1.7               | 1.8    | 2.0           | V    |
| Supply Current              | I <sub>DVDD_CORE(PLL)</sub> | No Load, VDD=1.9V |                   | 3      | 15            | mA   |
| Input High Level            | V <sub>IH</sub>             |                   | 0.7x<br>DVDD_CORE |        |               | V    |
| Input LOW Level             | V <sub>IL</sub>             |                   |                   |        | 0.3xDVDD_CORE | V    |
| Input Capacitance           | C <sub>IN</sub>             |                   |                   | 5      |               | pF   |
| Load Capacitance, X1 and X2 | C <sub>L</sub>              |                   |                   | 5      |               | pF   |
| Internal Pull-Down Resistor | R <sub>PD</sub>             | All clock outputs | 75                | 250    |               | kΩ   |
| Input Frequency             | f <sub>IN</sub>             |                   | 2                 | 12.288 | 100           | MHz  |

Table 66. PLL Section DC Characteristics

7. REGISTER MAP

| Register (D15:9) | Name       | Remarks                            | Bit[7]       | Bit[6]       | Bit[5]      | Bit[4]         | Bit[3]         | Bit[2]         | Bit[1]    | Bit[0]         | Default |     |
|------------------|------------|------------------------------------|--------------|--------------|-------------|----------------|----------------|----------------|-----------|----------------|---------|-----|
| R0 (00h)         | RSVD       | Reserved                           |              |              |             |                |                |                |           |                | 77h     |     |
| R1 (01h)         | RSVD       | Reserved                           |              |              |             |                |                |                |           |                | 77h     |     |
| R2 (02h)         | SPKVOLL    | SPKR Left volume                   |              |              |             |                |                |                |           | SPKVOL_L[6:0]  | 6Fh     |     |
| R3 (03h)         | SPKVOLR    | SPKR Right volume                  |              |              |             |                |                |                |           | SPKVOL_R[6:0]  | 6Fh     |     |
| R4 (04h)         | DACVOLL    | Left DAC volume                    |              |              |             |                |                |                |           | DACVOL_L[7:0]  | FFh     |     |
| R5 (05h)         | DACVOLR    | Right DAC volume                   |              |              |             |                |                |                |           | DACVOL_R[7:0]  | FFh     |     |
| R6 (06h)         | RSVD       | Reserved                           |              |              |             |                |                |                |           |                | BFh     |     |
| R7 (07h)         | RSVD       | Reserved                           |              |              |             |                |                |                |           |                | BFh     |     |
| R8 (08h)         | RSVD       | Reserved                           |              |              |             |                |                |                |           |                | 17h     |     |
| R9 (09h)         | RSVD       | Reserved                           |              |              |             |                |                |                |           |                | 17h     |     |
| R10 (0Ah)        | VUCTL      | Volume Update Control              |              | DACFade      |             |                |                |                | DACVOLUME | SPKVOLUME      | C0h     |     |
| R11 (0Bh)        | RSVD       | Reserved                           |              |              |             |                |                |                |           |                | 00h     |     |
| R12 (0Ch)        | RSVD       | Reserved                           |              |              |             |                |                |                |           |                | 00h     |     |
| R13 (0Dh)        | RSVD       | Reserved                           |              |              |             |                |                |                |           |                | 00h     |     |
| R14 (0Eh)        | RSVD       | Reserved                           |              |              |             |                |                |                |           |                | 00h     |     |
| R15 (0Fh)        | RSVD       | Reserved                           |              |              |             |                |                |                |           |                | 7Bh     |     |
| R16 (10h)        | RSVD       | Reserved                           |              |              |             |                |                |                |           |                | 00h     |     |
| R17 (11h)        | RSVD       | Reserved                           |              |              |             |                |                |                |           |                | 32h     |     |
| R18 (12h)        | RSVD       | Reserved                           |              |              |             |                |                |                |           |                | 00h     |     |
| R19 (13h)        | AIC1       | Audio Interface 1                  |              | BCLKINV      | MS          | LRP            |                | WL[1:0]        |           | FORMAT[1:0]    | 0Ah     |     |
| R20 (14h)        | AIC2       | Audio Interface 2                  |              | DACDSEL[1:0] |             |                |                | TRI            |           | BLRCM[2:0]     | 00h     |     |
| R21 (15h)        | AIC3       | Audio Interface 3                  |              |              |             |                |                | DDIPDD         | DLRPDD    | DBCPDD         | 00h     |     |
| R22 (16h)        | RSVD       | Reserved                           |              |              |             |                |                |                |           |                | 08h     |     |
| R23 (17h)        | RSVD       | Reserved                           |              |              |             |                |                |                |           |                | 12h     |     |
| R24 (18h)        | CNVTRTR1   | DAC Control                        | DACPOLR      | DACPOLL      |             | DMONOMIX[1:0]  | DACMU          | DEEMPH         |           |                | 08h     |     |
| R25 (19h)        | DACSR      | DAC Sample rate                    |              | DBC[1:0]     |             |                | DBR[1:0]       |                |           | DBM[2:0]       | 12h     |     |
| R26 (1Ah)        | PWRM1      | Pwr Mgmt (1)                       |              |              |             |                |                |                |           | DIGENB         | 00h     |     |
| R27 (1Bh)        | PWRM2      | Pwr Mgmt (2)                       |              |              |             | SPKL           | SPKR           |                |           | VREF           | 00h     |     |
| R28 (1Ch)        | CTL        | Additional control                 | SWEN         | SWPOL        |             |                |                |                |           | TSDEN          | TOEN    | 00h |
| R29 (1Dh)        | THERMSTS   | Temp Sensor Control                | TripHighStat | TripLowStat  |             | TripSplit[1:0] |                | TripShift[1:0] |           | Poll[1:0]      | 09h     |     |
| R30 (1Eh)        | THERMSPKR1 | Speaker Thermal Algorithm Control  | ForcePwr     | InstCutMode  |             | IncRatio[1:0]  |                | IncStep[1:0]   |           | DecStep[1:0]   | 81h     |     |
| R31 (1Fh)        | CONFIG0    | CONFIG0                            |              |              | DSDM1       | DSDM0          |                |                | dc_bypass | sd_force_on    | A0h     |     |
| R32 (20h)        | CONFIG1    | CONFIG1                            | EQ2_EN       | EQ2_BE2      | EQ2_BE1     | EQ2_BE0        | EQ1_EN         | EQ1_BE2        | EQ1_BE1   | EQ1_BE0        | 00h     |     |
| R33 (21h)        | GAINCTL    | Gain Control                       | zerodet_flag |              | zerodetlen1 | zerodetlen0    |                | auto_mute      |           |                | 24h     |     |
| R34 (22h)        | COP1       | Constant Output Power1             | COPAtten     | COPGain      | HDeltaEn    |                |                |                |           | COPTarget[4:0] | 08h     |     |
| R35 (23h)        | COP2       | Constant Output Power2             |              | HDCOMP MODE  |             |                | AvgLength[3:0] |                |           | MonRate[1:0]   | 02h     |     |
| R36 (24h)        | RSVD       | Reserved                           |              |              |             |                |                |                |           |                | 00h     |     |
| R37 (25h)        | CLECTL     | CMPLMCTL                           |              |              |             | Lvl_Mode       | WindowSel      | Exp_En         | Limit_En  | Comp_En        | 00h     |     |
| R38 (26h)        | MUGAIN     | CLEMakeUpGain                      |              |              |             | CLEMUG4        | CLEMUG3        | CLEMUG2        | CLEMUG1   | CLEMUG0        | 00h     |     |
| R39 (27h)        | COMPTh     | Compressor Threshold               | COMPTh7      | COMPTh6      | COMPTh5     | COMPTh4        | COMPTh3        | COMPTh2        | COMPTh1   | COMPTh0        | 00h     |     |
| R40 (28h)        | CMPrAT     | Compressor Ratio                   |              |              |             | CMPrAT4        | CMPrAT3        | CMPrAT2        | CMPrAT1   | CMPrAT0        | 00h     |     |
| R41 (29h)        | CATKCTL    | Comp Attack time const Low         | CATKTC7      | CATKTC6      | CATKTC5     | CATKTC4        | CATKTC3        | CATKTC2        | CATKTC1   | CATKTC0        | 00h     |     |
| R42(2Ah)         | CATKCH     | Comp Attack time const High        | CATKTC15     | CATKTC14     | CATKTC13    | CATKTC12       | CATKTC11       | CATKTC10       | CATKTC9   | CATKTC8        | 00h     |     |
| R43 (2Bh)        | CRELTCL    | Comp release time const Low        | CRELTC7      | CRELTC6      | CRELTC5     | CRELTC4        | CRELTC3        | CRELTC2        | CRELTC1   | CRELTC0        | 00h     |     |
| R44 (2Ch)        | CRELTCH    | Comp release time const High       | CRELTC15     | CRELTC14     | CRELTC13    | CRELTC12       | CRELTC11       | CRELTC10       | CRELTC9   | CRELTC8        | 00h     |     |
| R45 (2Dh)        | LIMTh      | Limiter Threshold                  | LIMTh7       | LIMTh6       | LIMTh5      | LIMTh4         | LIMTh3         | LIMTh2         | LIMTh1    | LIMTh0         | 00h     |     |
| R46 (2Eh)        | LIMTGT     | Limiter Target                     | LIMTGT7      | LIMTGT6      | LIMTGT5     | LIMTGT4        | LIMTGT3        | LIMTGT2        | LIMTGT1   | LIMTGT0        | 00h     |     |
| R47 (2Fh)        | LATKCTL    | Limiter Attack time constant Low   | LATKTC7      | LATKTC6      | LATKTC5     | LATKTC4        | LATKTC3        | LATKTC2        | LATKTC1   | LATKTC0        | 00h     |     |
| R48 (30h)        | LATKCH     | Limiter Attack time constant High  | LATKTC15     | LATKTC14     | LATKTC13    | LATKTC12       | LATKTC11       | LATKTC10       | LATKTC9   | LATKTC8        | 00h     |     |
| R49 (31h)        | LRELTCL    | Limiter Release time constant Low  | LRELTC7      | LRELTC6      | LRELTC5     | LRELTC4        | LRELTC3        | LRELTC2        | LRELTC1   | LRELTC0        | 00h     |     |
| R50 (32h)        | LRELTCH    | Limiter Release time constant High | LRELTC15     | LRELTC14     | LRELTC13    | LRELTC12       | LRELTC11       | LRELTC10       | LRELTC9   | LRELTC8        | 00h     |     |
| R51 (33h)        | EXPTH      | Expander Threshold                 | EXPTH7       | EXPTH6       | EXPTH5      | EXPTH4         | EXPTH3         | EXPTH2         | EXPTH1    | EXPTH0         | 00h     |     |

Table 67. Register Map

# ACS32201

## LOWER-POWER, HIGH-FIDELITY, CLASS-D AMPLIFIER

| Register (D15:9)      | Name       | Remarks                             | Bit[7]  | Bit[6]         | Bit[5]   | Bit[4]   | Bit[3]   | Bit[2]           | Bit[1]  | Bit[0]  | Default          |
|-----------------------|------------|-------------------------------------|---|----------------|----------|----------|----------|------------------|---------|---------|------------------|
| R52 (34h)             | EXPRAT     | Expander Ratio                      |   |                |          |          |          | EXPRAT2          | EXPRAT1 | EXPRAT0 | 00h              |
| R53 (35h)             | XATKTCL    | Expander Attack time constant Low   | XATKTC7   | XATKTC6        | XATKTC5  | XATKTC4  | XATKTC3  | XATKTC2          | XATKTC1 | XATKTC0 | 00h              |
| R54 (36h)             | XATKTCH    | Expander Attack time constant High  | XATKTC15  | XATKTC14       | XATKTC13 | XATKTC12 | XATKTC11 | XATKTC10         | XATKTC9 | XATKTC8 | 00h              |
| R55 (37h)             | XRELTCL    | Expander Release time constant Low  | XRELTC7   | XRELTC6        | XRELTC5  | XRELTC4  | XRELTC3  | XRELTC2          | XRELTC1 | XRELTC0 | 00h              |
| R56 (38h)             | XRELTCH    | Expander Release time constant High | XRELTC15  | XRELTC14       | XRELTC13 | XRELTC12 | XRELTC11 | XRELTC10         | XRELTC9 | XRELTC8 | 00h              |
| R57 (39h)             | FXCTL      | Effects Control                     |   |                |          | 3DEN     | TEEN     | TNLFBYP          | BEEN    | BNLFBYP | 00h              |
| R58 (3Ah)             | DACCRWRL   | DACCRAM_WRITE_LO                    | DACCRWD[7:0]  |                |          |          |          |                  |         |         | 00h              |
| R59 (3Bh)             | DACCRWRM   | DACCRAM_WRITE_MID                   | DACCRWD[15:8]   |                |          |          |          |                  |         |         | 00h              |
| R60 (3Ch)             | DACCRWRH   | DACCRAM_WRITE_HI                    | DACCRWD[23:16]  |                |          |          |          |                  |         |         | 00h              |
| R61 (3Dh)             | DACCRDL    | DACCRAM_READ_LO                     | DACCRRD[7:0]  |                |          |          |          |                  |         |         | 00h              |
| R62 (3Eh)             | DACCRDM    | DACCRAM_READ_MID                    | DACCRRD[15:8]   |                |          |          |          |                  |         |         | 00h              |
| R63 (3Fh)             | DACCRDH    | DACCRAM_READ_HI                     | DACCRRD[23:16]  |                |          |          |          |                  |         |         | 00h              |
| R64 (40h)             | DACCRADDR  | DACCRAM_ADDR                        | DACCRADD[7:0]   |                |          |          |          |                  |         |         | 00h              |
| R65 (41h)             | DCOFSEL    | DC_COEF_SEL                         |   |                |          |          |          | dc_coef_sel[2:0] |         |         | 05h              |
| R66-123               | RSVD       |                                     | RSVD  |                |          |          |          |                  |         |         | NA               |
| R124(7Ch)             | DEVADR     | I2C Device Address                  | ADDR7   | ADDR6          | ADDR5    | ADDR4    | ADDR3    | ADDR2            | ADDR1   | ADDR0   | D4h              |
| R125(7Dh)             | DEVIDL     | Device ID Low                       | DID7  | DID6           | DID5     | DID4     | DID3     | DID2             | DID1    | DID0    | 32h              |
| R126(7Eh)             | DEVIDH     | Device ID High                      | DID15   | DID14          | DID13    | DID12    | DID11    | DID10            | DID9    | DID8    | 01h              |
| R127(7Fh)             | REVID      | Device Revision                     | MAJ3  | MAJ2           | MAJ1     | MAJ0     | MNR3     | MNR2             | MNR1    | MNR0    | xxh <sup>1</sup> |
| R128(80h)             | RESET      | Reset                               | Writing 0x85 to this register resets all registers to their default state |                |          |          |          |                  |         |         | 00h              |
| R129-R135 (81h - 87h) | Reserved   |                                     | RSVD  |                |          |          |          |                  |         |         | NA               |
| R136(88h)             | THERMSPKR2 | Speaker Thermal Algorithm Status    | ForcePw Status  | VolStatus[6:0] |          |          |          |                  |         |         | 08h              |
| R137-R255 (88h-FFh)   | Reserved   |                                     | RSVD  |                |          |          |          |                  |         |         | NA               |

**Table 67. Register Map**

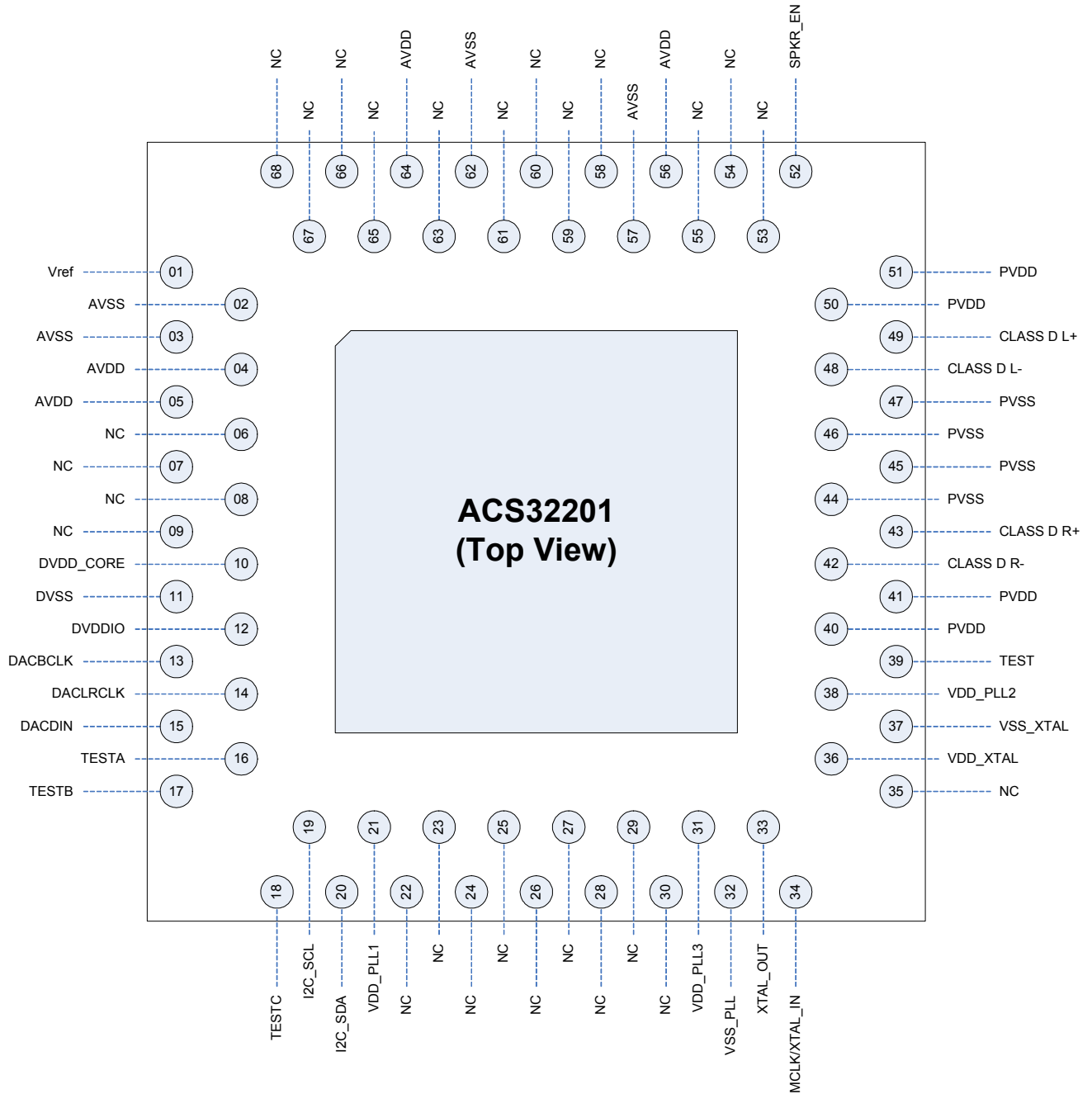
- For device revision information, please contact TSI.

*Note:*

- Registers not described in this map should be considered “reserved”.
- Numerous portions of the register map are compatible with popular codecs from other vendors.

**8. PIN INFORMATION**

**8.1. ACS32201 TAG/TLA Pin Diagram**



**Figure 22. ACS32201 TLA/TAG Pinout**

# ACS32201

## LOWER-POWER, HIGH-FIDELITY, CLASS-D AMPLIFIER

### 8.2. ACS32201 NAG/HLA Pin Diagram

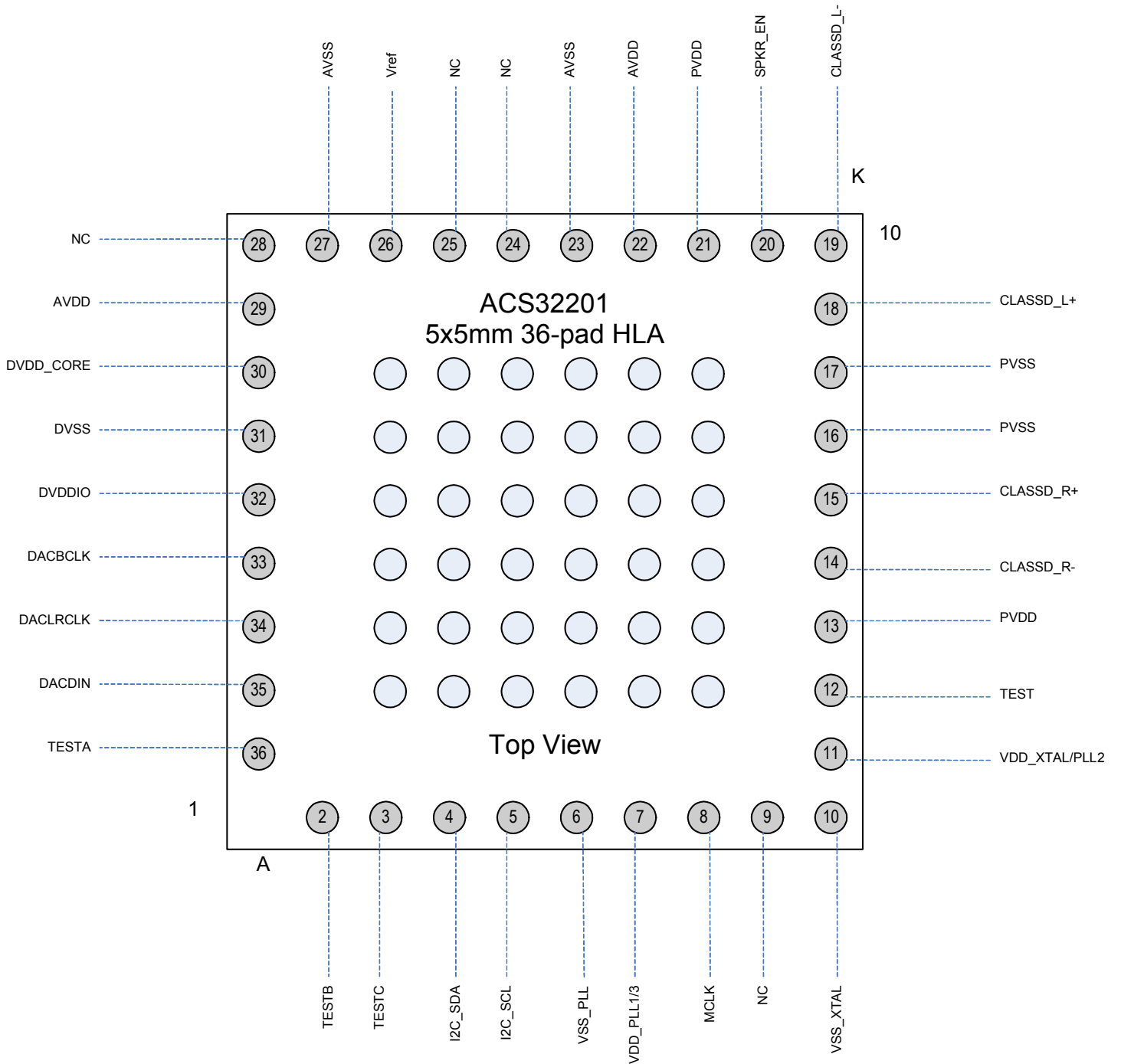


Figure 23. ACS32201 NAG/HLA Pinout

### 8.3. ACS32201 TAG Pin Tables

#### 8.3.1. ACS32201 TAG Power Pins

| Pin Name  | Pin Function   | I/O      | Internal Pull-up Pull-down | Pin location   |
|-----------|--|----------|----------------------------|----------------|
| PVDD      | BTL supply   | I(Power) | None                       | 40, 41, 50,51  |
| PVSS      | BTL supply   | I(Power) | None                       | 44, 45, 46, 47 |
| DVDD_Core | DSP and other core logic+clocks                      | I(Power) | None                       | 10             |
| DVDDIO    | Interface (I <sup>2</sup> S, I <sup>2</sup> C, GPIO) | I(Power) | None                       | 12             |
| DVSS      | Digital return                                       | I(Power) | None                       | 11             |
| AVDD      | Analog core supply                                   | I(Power) | None                       | 4, 5, 56, 64   |
| AVSS      | Analog return  | I(Power) | None                       | 2, 3, 57, 62   |
| VDD_PLL1  | PLL supply   | I(Power) | None                       | 21             |
| VDD_PLL3  | PLL supply   | I(Power) | None                       | 31             |
| VDD_PLL2  | PLL supply   | I(Power) | None                       | 38             |
| VDD_XTAL  | Oscillator supply                                    | I(Power) | None                       | 36             |
| VSS_PLL   | PLL return   | I(Power) | None                       | 32             |
| VSS_XTAL  | Oscillator return                                    | I(Power) | None                       | 37             |

Table 68. ACS32201 TAG Power Pins

Total Pins: 25

#### 8.3.2. ACS32201 TAG Reference Pins

| Pin Name | Pin Function                | I/O       | Internal Pull-up Pull-down | Pin location |
|----------|-----------------------------|-----------|----------------------------|--------------|
| Vref     | VREF reference pin (bypass) | I(Analog) | None                       | 1            |

Table 69. ACS32201 TAG Reference Pins

Total Pins: 1

#### 8.3.3. ACS32201 TAG Analog Output Pins

| Pin Name   | Pin Function              | I/O       | Internal Pull-up Pull-down | Pin location |
|------------|---------------------------|-----------|----------------------------|--------------|
| Class D L+ | BTL Left positive output  | O(Analog) | None                       | 49           |
| Class D L- | BTL Left negative output  | O(Analog) | None                       | 48           |
| Class D R+ | BTL Right positive output | O(Analog) | None                       | 43           |
| Class D R- | BTL Right negative output | O(Analog) | None                       | 42           |

Table 70. ACS32201 TAG Analog Output Pins

Total Pins: 4

# ACS32201

## LOWER-POWER, HIGH-FIDELITY, CLASS-D AMPLIFIER

### 8.3.4. ACS32201 TAG Data and Control Pins

| Pin Name | Pin Function                       | I/O          | Internal Pull-up<br>Pull-down | Pin<br>location |
|----------|------------------------------------|--------------|-------------------------------|-----------------|
| TEST A   | Test pin do not connect            | I/O(Digital) | Pull-Down                     | 16              |
| TEST B   | Test pin do not connect            | I/O(Digital) | Pull-Down                     | 17              |
| TEST C   | Test pin do not connect            | O(Digital)   | Pull-Down                     | 18              |
| DACBCLK  | DAC I <sup>2</sup> S shift clock   | I/O(Digital) | Pull-Down                     | 13              |
| DACLCLK  | DAC I <sup>2</sup> S framing clock | I/O(Digital) | Pull-Down                     | 14              |
| DACDIN   | DAC I <sup>2</sup> S input data    | I(Digital)   | Pull-Down                     | 15              |
| I2C_SCL  | SCL I <sup>2</sup> C shift clock   | I(Digital)   | Pull-Up                       | 19              |
| I2C_SDA  | SDA I <sup>2</sup> C shift data    | I(Digital)   | Pull-Up                       | 20              |
| HP_DET   | Headphone jack detection           | I(Digital)   | Pull-Up                       | 52              |
| TEST     | Reserved test pin                  | I(Analog)    | None                          | 39              |

Table 71. ACS32201 TAG Data and Control Pins

Total Pins: 10

### 8.3.5. ACS32201 TAG Clock Pins

| Pin Name     | Pin Function                  | I/O     | Internal Pull-up<br>Pull-down | Pin location                                     |
|--------------|-------------------------------|---------|-------------------------------|--|
| MCLK/XTAL_IN | Master Clock or Crystal input | I(XTAL) | None                          | 34   |
| XTAL_OUT     | Crystal output                | O(XTAL) | None                          | 33   |
| NC           | No Connect                    | NC      | NC                            | 6-9, 22-30,<br>35, 53-55,<br>58-61, 63,<br>65-68 |

Table 72. ACS32201 TAG Clock Pins

Total Pins: 28

**8.4. ACS32201 NAG Pin Tables**

**8.4.1. ACS32201 NAG Power Pins**

| Pin Name      | Pin Function   | I/O      | Internal Pull-up Pull-down | Pin location |
|---------------|--|----------|----------------------------|--------------|
| PVDD          | BTL supply   | I(Power) | None                       | 13, 21       |
| PVSS          | BTL supply   | I(Power) | None                       | 16, 17       |
| DVDD_Core     | DSP and other core logic+clocks                      | I(Power) | None                       | 30           |
| DVDDIO        | Interface (I <sup>2</sup> S, I <sup>2</sup> C, GPIO) | I(Power) | None                       | 32           |
| DVSS          | Digital return                                       | I(Power) | None                       | 31           |
| AVDD          | Analog core supply                                   | I(Power) | None                       | 22, 29       |
| AVSS          | Analog return  | I(Power) | None                       | 23, 27       |
| VDD_PLL1/3    | PLL supply   | I(Power) | None                       | 7            |
| VDD_XTAL/PLL2 | PLL supply   | I(Power) | None                       | 11           |
| VSS_PLL       | PLL return   | I(Power) | None                       | 6            |
| VSS_XTAL      | Oscillator return                                    | I(Power) | None                       | 10           |

**Table 73. ACS32201 NAG Power Pins**

Total Pins: 15

**8.4.2. ACS32201 NAG Reference Pins**

| Pin Name | Pin Function                | I/O       | Internal Pull-up Pull-down | Pin location |
|----------|-----------------------------|-----------|----------------------------|--------------|
| Vref     | VREF reference pin (bypass) | I(Analog) | None                       | 26           |

**Table 74. ACS32201 NAG Reference Pins**

Total Pins: 1

**8.4.3. ACS32201 NAG Analog Output Pins**

| Pin Name   | Pin Function              | I/O       | Internal Pull-up Pull-down | Pin location |
|------------|---------------------------|-----------|----------------------------|--------------|
| Class D L+ | BTL Left positive output  | O(Analog) | None                       | 18           |
| Class D L- | BTL Left negative output  | O(Analog) | None                       | 19           |
| Class D R+ | BTL Right positive output | O(Analog) | None                       | 15           |
| Class D R- | BTL Right negative output | O(Analog) | None                       | 14           |

**Table 75. ACS32201 NAG Analog Output Pins**

Total Pins: 4



# ACS32201

## LOWER-POWER, HIGH-FIDELITY, CLASS-D AMPLIFIER

### 8.4.4. ACS32201 NAG Data and Control Pins

| Pin Name           | Pin Function                        | I/O          | Internal Pull-up<br>Pull-down | Pin<br>location |
|--------------------|-------------------------------------|--------------|-------------------------------|-----------------|
| DACBCLK            | DAC I <sup>2</sup> S shift clock    | I/O(Digital) | Pull-Down                     | 33              |
| DACLCLK            | DAC I <sup>2</sup> S framing clock  | I/O(Digital) | Pull-Down                     | 34              |
| DACDIN             | DAC I <sup>2</sup> S input data     | I(Digital)   | Pull-Down                     | 35              |
| I2C_SCL            | SCL I <sup>2</sup> C shift clock    | I(Digital)   | Pull-Up                       | 5               |
| I2C_SDA            | SDA I <sup>2</sup> C shift data     | I(Digital)   | Pull-Up                       | 4               |
| SPKR_EN            | Speaker Enable                      | I(Digital)   | Pull-Up                       | 20              |
| TEST<br>TEST A/B/C | Reserved test pin<br>Do not connect | I(Analog)    | None                          | 12<br>2/3/36    |

Table 76. ACS32201 NAG Data and Control Pins

Total Pins: 10

### 8.4.5. ACS32201 NAG Clock Pins

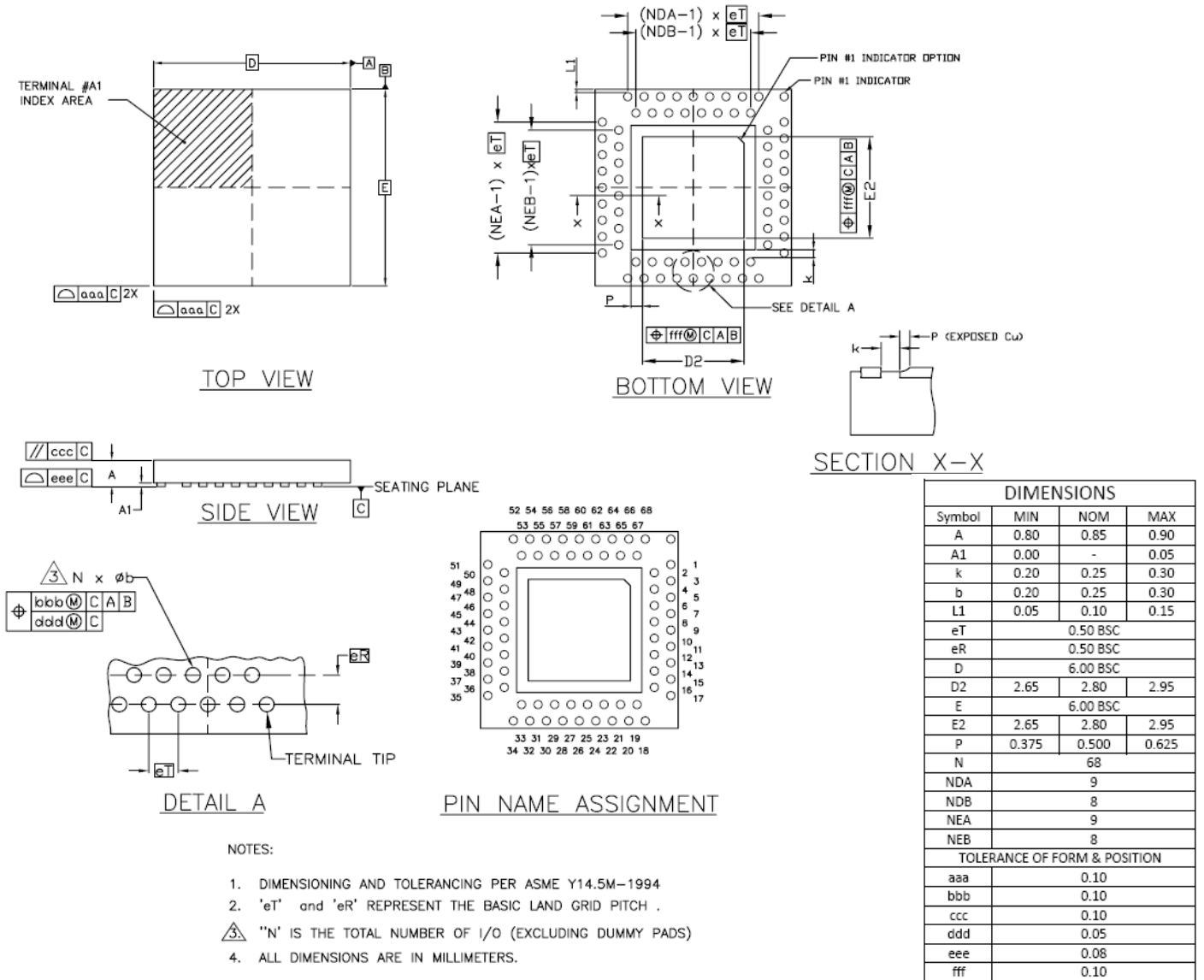
| Pin Name | Pin Function | I/O     | Internal Pull-up<br>Pull-down | Pin location  |
|----------|--------------|---------|-------------------------------|---------------|
| MCLK     | Master Clock | I(XTAL) | None                          | 8             |
| NC       | No Connect   | NC      | NC                            | 9, 24, 25, 28 |

Table 77. ACS32201 NAG Clock Pins

Total Pins: 5

## 9. PACKAGE INFORMATION

### 9.1. TAG/TLA Package Drawing



Note: To create a thermal pad size follow "D2" and "E2" value. Ignore "P" and "k"

Figure 24. Package Outline

### 9.2. Pb Free Process- Package Classification Reflow Temperatures

| Package Thickness | Volume mm <sup>3</sup> <350 | Volume mm <sup>3</sup> 350 - 2000 | Volume mm <sup>3</sup> >2000 |
|-------------------|-----------------------------|-----------------------------------|------------------------------|
| <1.6mm            | 260 + 0 °C*                 | 260 + 0 °C*                       | 260 + 0 °C*                  |
| 1.6mm - 2.5mm     | 260 + 0 °C*                 | 250 + 0 °C*                       | 245 + 0 °C*                  |
| > or = 2.5mm      | 250 + 0 °C*                 | 245 + 0 °C*                       | 245 + 0 °C*                  |

\*Tolerance: The device manufacturer/supplier shall assure process compatibility up to and including the stated classification temperature (this means Peak reflow temperature +0 °C. For example 260 °C+0 °C) at the rated MSL level.

Table 78. Reflow Temperatures

Note: TSI's package thicknesses are <2.5mm and <350 mm<sup>3</sup>, so 260 applies in every case.

10. NAG/HLA PACKAGE INFORMATION

10.1. NAG/HLA Package Drawing

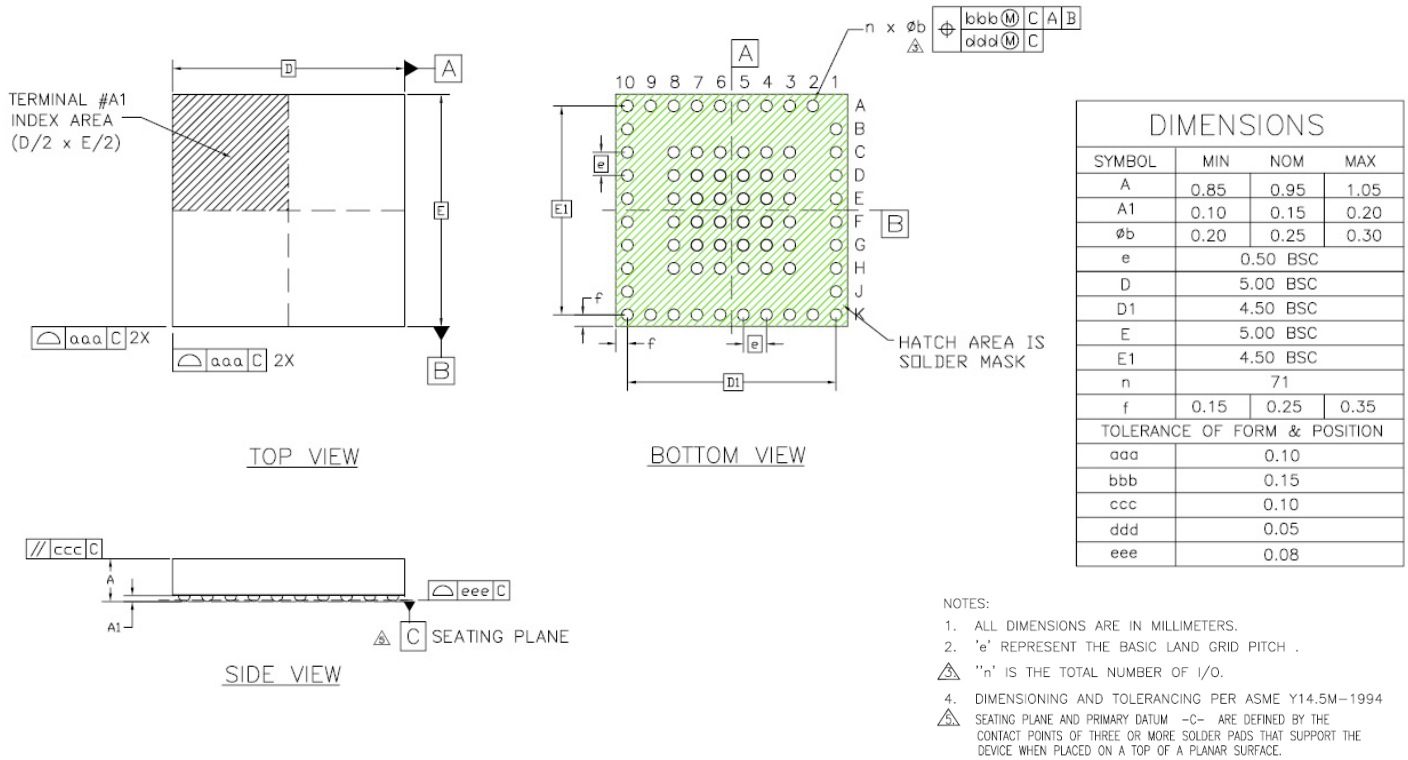


Figure 25. NAG/HLA Package Outline

10.2. Pb Free Process- Package Classification Reflow Temperatures

| Package Thickness | Volume mm <sup>3</sup> <350 | Volume mm <sup>3</sup> 350 - 2000 | Volume mm <sup>3</sup> >2000 |
|-------------------|-----------------------------|-----------------------------------|------------------------------|
| <1.6mm            | 260 + 0 °C*                 | 260 + 0 °C*                       | 260 + 0 °C*                  |
| 1.6mm - 2.5mm     | 260 + 0 °C*                 | 250 + 0 °C*                       | 245 + 0 °C*                  |
| > or = 2.5mm      | 250 + 0 °C*                 | 245 + 0 °C*                       | 245 + 0 °C*                  |

\*Tolerance: The device manufacturer/supplier shall assure process compatibility up to and including the stated classification temperature (this means Peak reflow temperature +0 °C. For example 260 °C+0 °C) at the rated MSL level.

Table 79. Reflow Temperatures

Note: TSI's package thicknesses are <2.5mm and <350 mm<sup>3</sup>, so 260 applies in every case.

# ACS32201

## LOWER-POWER, HIGH-FIDELITY, CLASS-D AMPLIFIER

---

### 11. ORDERING INFORMATION

|                 |             |
|-----------------|-------------|
| ACS32201XTAGyyX | TLA package |
| ACS32201XNAGyyX | HLA package |

yy = silicon revision, contact TSI for current part number.

### 12. DISCLAIMER

While the information presented herein has been checked for both accuracy and reliability, manufacturer assumes no responsibility for either its use or for the infringement of any patents or other rights of third parties, which would result from its use. No other circuits, patents, or licenses are implied. This product is intended for use in normal commercial applications. Any other applications, such as those requiring extended temperature range, high reliability, or other extraordinary environmental requirements, are not recommended without additional processing by manufacturer. Manufacturer reserves the right to change any circuitry or specifications without notice. Manufacturer does not authorize or warrant any product for use in life support devices or critical medical instruments.

**13. DOCUMENT REVISION HISTORY**

| Revision | Date           | Description of Change  |
|----------|----------------|--|
| 0.5      | June 2011      | initial release  |
| 0.6      | July 2011      | updated power consumption, TLA package drawing.  |
| 1.0      | January 2012   | Corrected the I/O type for the Analog output pins.   |
| 1.1      | February 2012  | Updated HLA pinout and package drawing.  |
| 1.2      | June 2012      | Swapped pins 6 and 7 on HLA Pinout and on Pin Tables. Updated HLA package drawing. Updated to 1.75W/channel (8Ohm) or 3W/channel (4Ohm), Adjusted Power measurement parameters in electrical section for THD+N.                            |
| 1.3      | September 2012 | Clarifications to MCLK rate. Updated PLL Electrical characteristics.   |
| 1.4      | November 2012  | Removed typical and low power consumption tables from electricals section, since these metrics are driven by software settings and are system specific, the typicals listed were not representative of what can be expected of the device. |
| 1.5      | August 2013    | Updated Recommended Operating Condition Max for PVDD from 5.25V to 5.5V.   |
| 1.6      | October 2014   | Updated in TSI format and added functionality for crystal input.   |



www.temposemi.com  
 8627 N. MoPac Expwy Suite 130  
 Austin, Texas 78759

DISCLAIMER Tempo Semiconductor, Inc. (TSI) and its subsidiaries reserve the right to modify the products and/or specifications described herein at any time and at TSI's sole discretion. All information in this document, including descriptions of product features and performance, is subject to change without notice. Performance specifications and the operating parameters of the described products are determined in the independent state and are not guaranteed to perform the same way when installed in customer products. The information contained herein is provided without representation or warranty of any kind, whether express or implied, including, but not limited to, the suitability of TSI's products for any particular purpose, an implied warranty of merchantability, or non-infringement of the intellectual property rights of others. This document is presented only as a guide and does not convey any license under intellectual property rights of TSI or any third parties.

TSI's products are not intended for use in life support systems or similar devices where the failure or malfunction of an TSI product can be reasonably expected to significantly affect the health or safety of users. Anyone using an TSI product in such a manner does so at their own risk, absent an express, written agreement by TSI.

Tempo Semiconductor, TSI and the TSI logo are registered trademarks of TSI. Other trademarks and service marks used herein, including protected names, logos and designs, are the property of TSI or their respective third party owners.



Компания «ЭлектроПласт» предлагает заключение долгосрочных отношений при поставках импортных электронных компонентов на взаимовыгодных условиях!

Наши преимущества:

- Оперативные поставки широкого спектра электронных компонентов отечественного и импортного производства напрямую от производителей и с крупнейших мировых складов;
- Поставка более 17-ти миллионов наименований электронных компонентов;
- Поставка сложных, дефицитных, либо снятых с производства позиций;
- Оперативные сроки поставки под заказ (от 5 рабочих дней);
- Экспресс доставка в любую точку России;
- Техническая поддержка проекта, помощь в подборе аналогов, поставка прототипов;
- Система менеджмента качества сертифицирована по Международному стандарту ISO 9001;
- Лицензия ФСБ на осуществление работ с использованием сведений, составляющих государственную тайну;
- Поставка специализированных компонентов (Xilinx, Altera, Analog Devices, Intersil, Interpoint, Microsemi, Aeroflex, Peregrine, Syfer, Eurofarad, Texas Instrument, Miteq, Cobham, E2V, MA-COM, Hittite, Mini-Circuits, General Dynamics и др.);

Помимо этого, одним из направлений компании «ЭлектроПласт» является направление «Источники питания». Мы предлагаем Вам помощь Конструкторского отдела:

- Подбор оптимального решения, техническое обоснование при выборе компонента;
- Подбор аналогов;
- Консультации по применению компонента;
- Поставка образцов и прототипов;
- Техническая поддержка проекта;
- Защита от снятия компонента с производства.



#### Как с нами связаться

**Телефон:** 8 (812) 309 58 32 (многоканальный)

**Факс:** 8 (812) 320-02-42

**Электронная почта:** [org@eplast1.ru](mailto:org@eplast1.ru)

**Адрес:** 198099, г. Санкт-Петербург, ул. Калинина, дом 2, корпус 4, литера А.