



Features

- Wide single-supply voltage range or dual supplies: +2 V to +36 V or ± 1 V to ± 18 V
- Very low supply current (0.45 mA) independent of supply voltage (1 mW/comparator at +5 V)
- Low input bias current: 20 nA typ.
- Low input offset current: ± 3 nA typ.
- Low input offset voltage: ± 1 mV typ.
- Input common-mode voltage range includes ground
- Low output saturation voltage: 80 mV typ. ($I_{\text{sink}} = 4$ mA)
- Differential input voltage range equal to the supply voltage
- TTL, DTL, ECL, MOS, CMOS compatible outputs
- Available in DIP8, SO-8, TSSOP8, MiniSO-8, and DFN8 2 x 2 mm packages

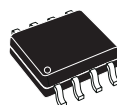
Description

The LM193, LM293, and LM393 devices consist of two independent low voltage comparators designed specifically to operate from a single supply over a wide range of voltages. Operation from split power supplies is also possible.

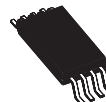
These comparators also have a unique characteristic in that the input common-mode voltage range includes ground even though operated from a single power supply voltage.



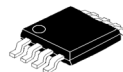
DIP8
(plastic package)



SO-8
(plastic micropackage)



TSSOP8
(thin shrink small outline package)



MiniSO-8
(plastic micropackage)



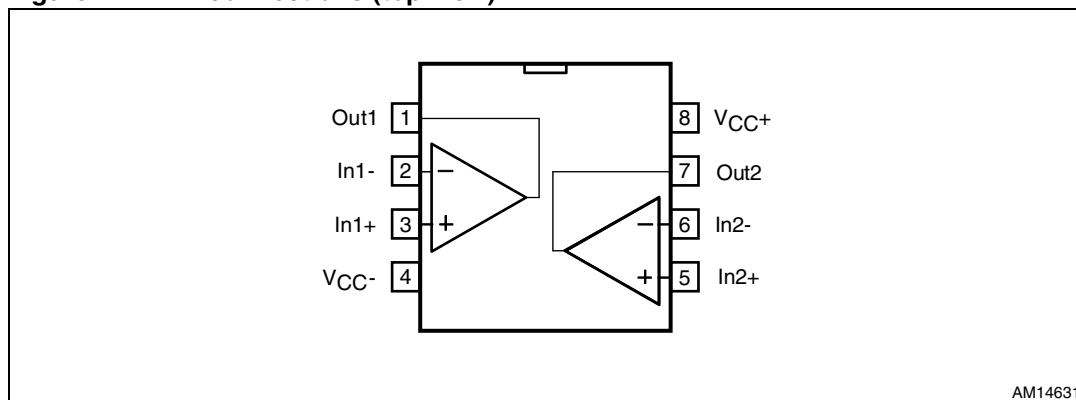
DFN8 2 x 2 mm
(plastic micropackage)

Contents

1	Pin connections	3
2	Schematic diagram	4
3	Absolute maximum ratings and operating conditions	5
4	Electrical characteristics	6
5	Typical applications	8
6	Package information	11
6.1	DIP8 package information	12
6.2	SO-8 package information	13
6.3	TSSOP8 package information	14
6.4	MiniSO-8 package information	15
6.5	DFN8 package information	16
7	Ordering information	18
8	Revision history	19

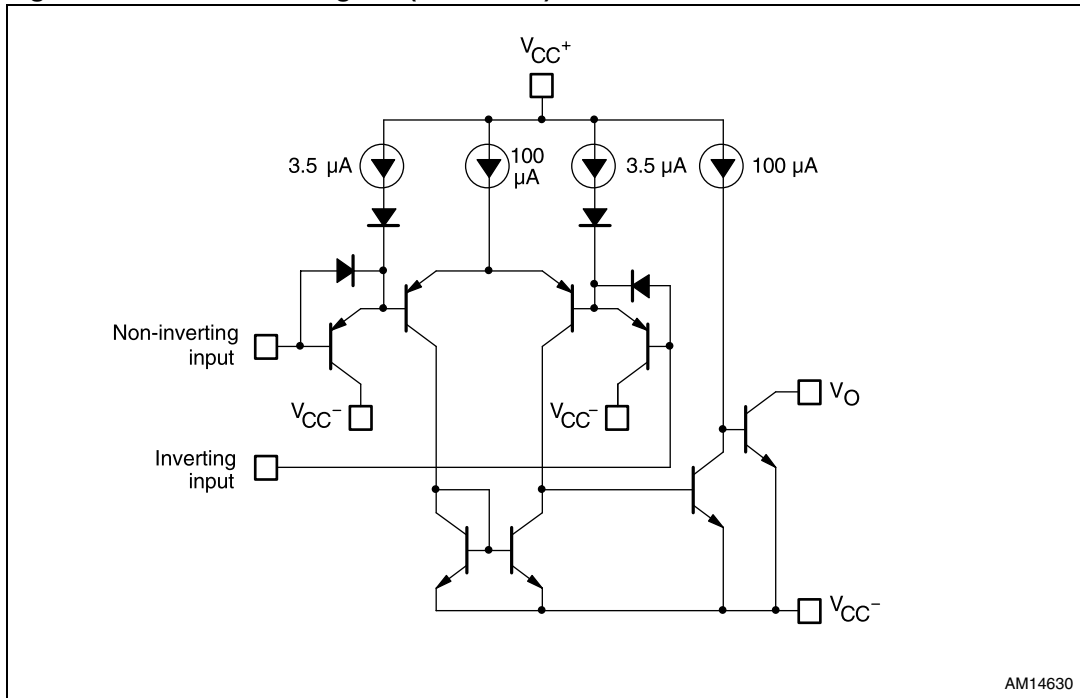
1 Pin connections

Figure 1. Pin connections (top view)



2 Schematic diagram

Figure 2. Schematic diagram (1/2 LM193)



3 Absolute maximum ratings and operating conditions

Table 1. Absolute maximum ratings

Symbol	Parameter	Value	Unit
V_{CC}	Supply voltage	± 18 or 36	V
V_{id}	Differential input voltage	± 36	V
V_{in}	Input voltage	-0.3 to +36	V
	Output short-circuit to ground ⁽¹⁾	Infinite	
R_{thja}	Thermal resistance junction to ambient ⁽²⁾		°C/W
	SO-8	125	
	TSSOP8	120	
	DIP8	85	
	MiniSO-8 DFN8 2 x 2 mm	190 57	
R_{thjc}	Thermal resistance junction to case ⁽²⁾		°C/W
	SO-8	40	
	TSSOP8	37	
	DIP8	41	
	MiniSO-8 DFN8 2 x 2 mm	39	
T_j	Maximum junction temperature	150	°C
T_{stg}	Storage temperature range	-65 to +150	°C
ESD Class ⁽³⁾	HBM: human body model	H1B	
	MM: machine model	M2	
	CDM: charged device model	C5	

- Short-circuits from the output to V_{CC+} can cause excessive heating and potential destruction. The maximum output current is approximately 20 mA independent of the magnitude of V_{CC+} .
- Short-circuits can cause excessive heating and destructive dissipation. Values are typical.
- ESD class definition from AEC-Q100:
HBM class H1B: ESD voltage level from 500 V to 1000 V
MM class M2: ESD voltage level from 100 V to 200 V
CDM class C5: ESD voltage level greater than 1500 V.

Table 2. Operating conditions

Symbol	Parameter	Value	Unit
V_{CC}	Supply voltage ($V_{CC+} - V_{CC-}$)	2 to 36	V
V_{icm}	Common mode input voltage range ($V_{CC+} = 30$ V) ⁽¹⁾ $T_{amb} = +25$ °C $T_{min} \leq T_{amb} \leq T_{max}$	0 to $V_{CC+} - 1.5$ 0 to $V_{CC+} - 2$	V
T_{oper}	Operating free-air temperature range LM193, LM193A LM293, LM293A LM393, LM393A	-55 to +125 -40 to +105 0 to +70	°C

- The input common-mode voltage of either input signal voltage should not be allowed to go negative by more than 0.3 V. The high end of the common-mode voltage range is $V_{CC+} - 1.5$ V, but either or both inputs can go to +30 V without damage.

4 Electrical characteristics

Table 3. $V_{CC}^+ = +5V$, $V_{CC}^- = 0V$, $T_{amb} = +25\text{ }^\circ\text{C}$ (unless otherwise specified)

Symbol	Parameter	LM193A - LM293A LM393A			LM193- LM293 LM393			Unit
		Min.	Typ.	Max.	Min.	Typ.	Max.	
V_{io}	Input offset voltage ⁽¹⁾ $T_{min} \leq T_{amb} \leq T_{max}$		1	2 4		1	5 9	mV
I_{io}	Input offset current $T_{min} \leq T_{amb} \leq T_{max}$		3	25 100		3	50 150	nA
I_{ib}	Input bias current (I^+ or I^-) ⁽²⁾ $T_{min} \leq T_{amb} \leq T_{max}$		20	100 300		20	250 400	nA
A_{vd}	Large signal voltage gain $V_{CC} = 15\text{ V}$, $R_L = 15\text{ k}\Omega$, $V_o = 1\text{ V to }11\text{ V}$	50	200		50	200		V/mV
I_{CC}	Supply current (all comparators) $V_{CC} = +5\text{ V}$, no load $V_{CC} = +30\text{ V}$, no load		0.45 0.6	1 2.5		0.45 0.6	1 2.5	mA
V_{id}	Differential input voltage ⁽³⁾			V_{CC}^+			V_{CC}^+	
V_{OL}	Low level output voltage $V_{id} = -1\text{ V}$, $I_{sink} = 4\text{ mA}$ $T_{min} \leq T_{amb} \leq T_{max}$		80	400 700		80	400 700	mV
I_{OH}	High level output current $V_{CC} = V_o = 30\text{ V}$, $V_{id} = 1\text{ V}$ $T_{min} \leq T_{amb} \leq T_{max}$		0.1	1		0.1	1	nA μA
I_{sink}	Output sink current $V_{id} = 1\text{ V}$, $V_o = 1.5\text{ V}$	6	18		6	18		mA
t_{re}	Response time ⁽⁴⁾ $R_L = 5.1\text{ k}\Omega$ connected to V_{CC}^+		1.3			1.3		μs
t_{rel}	Large signal response time $R_L = 5.1\text{ k}\Omega$ connected to V_{CC}^+ $e_1 = \text{TTL}$, $V_{(ref)} = +1.4\text{ V}$		300			300		ns

1. At output switch point, $V_o \approx 1.4\text{ V}$, $R_s = 0$ with V_{CC}^+ from 5 V to 30 V, and over the full common-mode range (0 V to $V_{CC}^+ - 1.5\text{ V}$).
2. The direction of the input current is out of the IC due to the PNP input stage. This current is essentially constant, independent of the state of the output, so no loading charge exists on the reference of input lines.
3. Positive excursions of input voltage may exceed the power supply level. As long as the other voltage remains within the common-mode range, the comparator will provide a proper output state. The low input voltage state must not be less than -0.3 V (or 0.3 V below the negative power supply, if used).
4. The response time specified is for a 100 mV input step with 5 mV overdrive. For larger overdrive signals 300 ns can be obtained.

Figure 3. Supply current vs. supply voltage



Figure 4. Input current vs. supply voltage



Figure 5. Output saturation voltage vs. output current



Figure 6. Response time for various input overdrives - negative transition



Figure 7. Response time for various input overdrives - positive transition



5 Typical applications

Figure 8. Basic comparator



Figure 9. Driving TTL



Figure 10. Low frequency op amp



Figure 11. Driving CMOS



Figure 12. Low frequency op amp



Figure 13. Transducer amplifier



Figure 14. Low frequency op amp with offset adjust



AM14643

Figure 15. Zero crossing detector (single power supply)



AM14644

Figure 16. Limit comparator



AM14645

Figure 17. Crystal controlled oscillator



AM14646

Figure 18. Split-supply applications - zero crossing detector



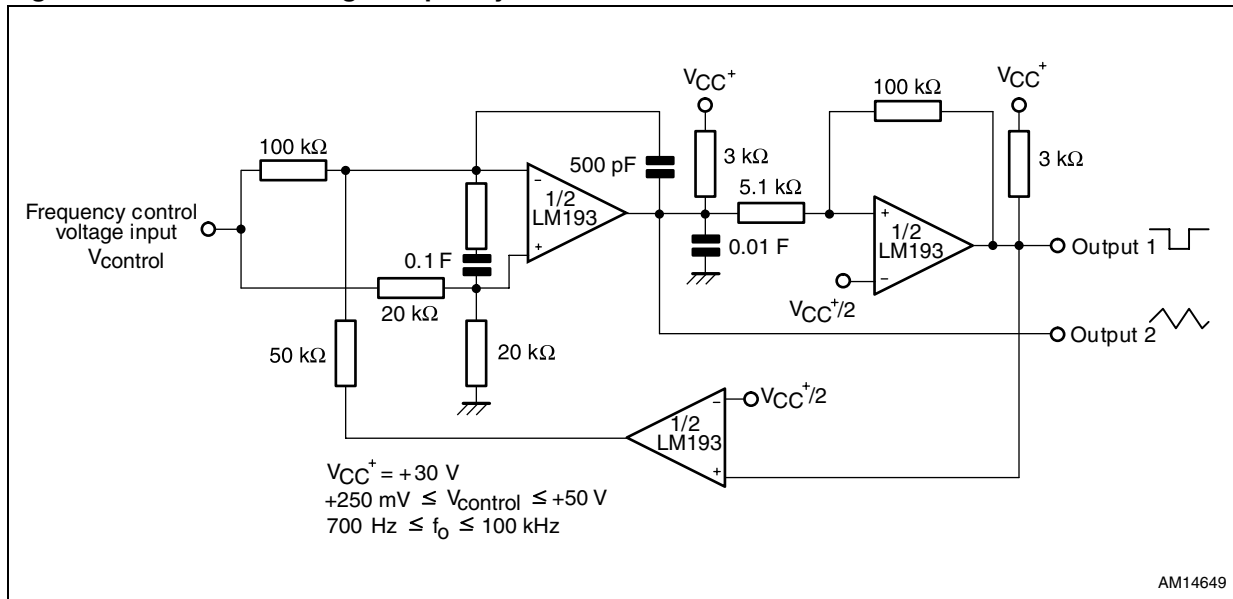
AM14647

Figure 19. Comparator with a negative reference



AM14648

Figure 20. Two-decade high frequency VCO



6 Package information

In order to meet environmental requirements, ST offers these devices in different grades of ECOPACK[®] packages, depending on their level of environmental compliance. ECOPACK specifications, grade definitions and product status are available at: www.st.com. ECOPACK is an ST trademark.

6.1 DIP8 package information

Figure 21. DIP8 package outline

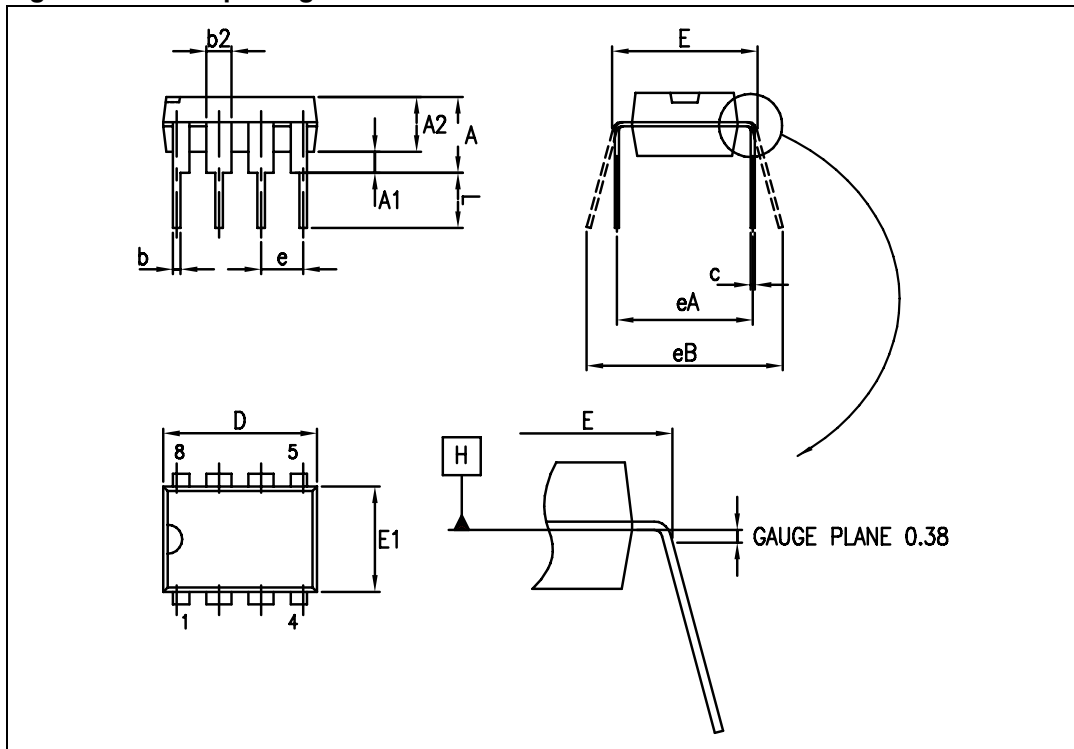


Table 4. DIP8 package mechanical data

Symbol	Dimensions					
	Millimeters			Inches		
	Min.	Typ.	Max.	Min.	Typ.	Max.
A			5.33			0.210
A1	0.38			0.015		
A2	2.92	3.30	4.95	0.115	0.130	0.195
b	0.36	0.46	0.56	0.014	0.018	0.022
b2	1.14	1.52	1.78	0.045	0.060	0.070
c	0.20	0.25	0.36	0.008	0.010	0.014
D	9.02	9.27	10.16	0.355	0.365	0.400
E	7.62	7.87	8.26	0.300	0.310	0.325
E1	6.10	6.35	7.11	0.240	0.250	0.280
e		2.54			0.100	
eA		7.62			0.300	
eB			10.92			0.430
L	2.92	3.30	3.81	0.115	0.130	0.150

6.2 SO-8 package information

Figure 22. SO-8 package outline



Table 5. SO-8 package mechanical data

Symbol	Dimensions					
	Millimeters			Inches		
	Min.	Typ.	Max.	Min.	Typ.	Max.
A			1.75			0.069
A1	0.10		0.25	0.004		0.010
A2	1.25			0.049		
b	0.28		0.48	0.011		0.019
c	0.17		0.23	0.007		0.010
D	4.80	4.90	5.00	0.189	0.193	0.197
E	5.80	6.00	6.20	0.228	0.236	0.244
E1	3.80	3.90	4.00	0.150	0.154	0.157
e		1.27			0.050	
h	0.25		0.50	0.010		0.020
L	0.40		1.27	0.016		0.050
L1		1.04			0.040	
k	0		8°	1°		8°
ccc			0.10			0.004

6.3 TSSOP8 package information

Figure 23. TSSOP8 package outline

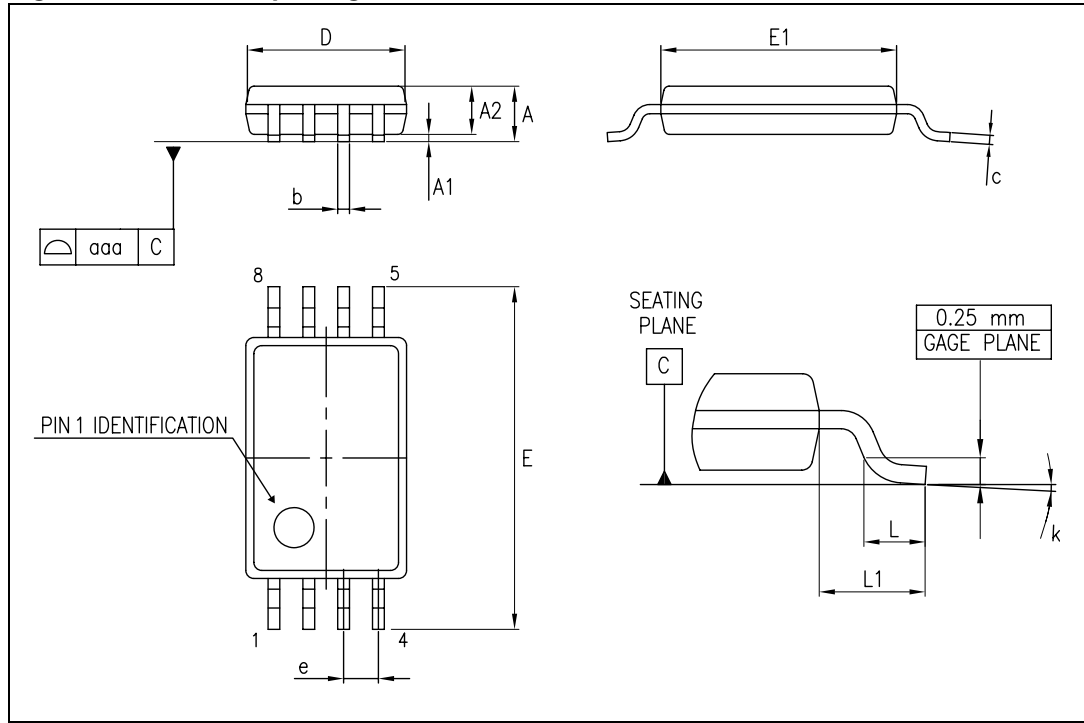


Table 6. TSSOP8 package mechanical data

Symbol	Dimensions					
	Millimeters			Inches		
	Min.	Typ.	Max.	Min.	Typ.	Max.
A			1.20			0.047
A1	0.05		0.15	0.002		0.006
A2	0.80	1.00	1.05	0.031	0.039	0.041
b	0.19		0.30	0.007		0.012
c	0.09		0.20	0.004		0.008
D	2.90	3.00	3.10	0.114	0.118	0.122
E	6.20	6.40	6.60	0.244	0.252	0.260
E1	4.30	4.40	4.50	0.169	0.173	0.177
e		0.65			0.0256	
k	0°		8°	0°		8°
L	0.45	0.60	0.75	0.018	0.024	0.030
L1		1			0.039	
aaa			0.10			0.004

6.4 MiniSO-8 package information

Figure 24. MiniSO-8 package outline



Table 7. MiniSO-8 package mechanical data

Symbol	Dimensions					
	Millimeters			Inches		
	Min.	Typ.	Max.	Min.	Typ.	Max.
A			1.1			0.043
A1	0		0.15	0		0.006
A2	0.75	0.85	0.95	0.030	0.033	0.037
b	0.22		0.40	0.009		0.016
c	0.08		0.23	0.003		0.009
D	2.80	3.00	3.20	0.11	0.118	0.126
E	4.65	4.90	5.15	0.183	0.193	0.203
E1	2.80	3.00	3.10	0.11	0.118	0.122
e		0.65			0.026	
L	0.40	0.60	0.80	0.016	0.024	0.031
L1		0.95			0.037	
L2		0.25			0.010	
k	0°		8°	0°		8°
ccc			0.10			0.004

6.5 DFN8 package information

Figure 25. DFN8 2 x 2 x 0.6 mm package outline (pitch 0.5 mm)



Table 8. DFN8 2 x 2 x 0.6 mm package mechanical data (pitch 0.5 mm)

Symbol	Dimensions					
	Millimeters			Inches		
	Min.	Typ.	Max.	Min.	Typ.	Max.
A	0.51	0.55	0.60	0.020	0.022	0.024
A1			0.05			0.002
A3		0.15			0.006	
b	0.18	0.25	0.30	0.007	0.010	0.012
D	1.85	2.00	2.15	0.073	0.079	0.085
D2	1.45	1.60	1.70	0.057	0.063	0.067
E	1.85	2.00	2.15	0.073	0.079	0.085
E2	0.75	0.90	1.00	0.030	0.035	0.039
e		0.50			0.020	
L			0.50			0.020
ddd			0.08			0.003

Figure 26. DFN8 2 x 2 footprint recommendation



7 Ordering information

Table 9. Order codes

Order code	Temperature range	Package	Packing	Marking
LM193AD LM193ADT	-55 °C, +125 °C	SO-8	Tube or tape and reel	193A
LM193D LM193DT				193
LM193AN		DIP8	Tube	LM193AN
LM193N				LM193N
LM293AD LM293ADT	-40 °C, +105 °C	SO-8	Tube or tape and reel	293A
LM293D LM293DT				293
LM293AN		DIP8	Tube	LM293AN
LM293N				LM293N
LM293PT		TSSOP8	Tape and reel	293
LM293ST		MiniSO-8	Tape and reel	K512
LM293QT		DFN8 2 x 2	Tape and reel	K59
LM393AD LM393ADT	0 °C, +70 °C	SO-8	Tube or tape and reel	393A
LM393D LM393DT				393
LM393AN		DIP8	Tube	LM393AN
LM393N				LM393N
LM393PT		TSSOP8	Tape and reel	393
LM393ST		MiniSO-8	Tape and reel	M393
LM393QT		DFN8 2 x 2	Tape and reel	K5C

8 Revision history

Table 10. Document revision history

Date	Revision	Changes
02-Jul-2002	1	First release.
02-Jan-2005	2	Class A of the product included in the datasheet.
02-May-2005	3	PPAP references inserted in the datasheet, see Table 7: Ordering information on page 18 .
02-Jul-2005	4	Modification on PPAP references - Errors on part numbers, see Table 7: Ordering information on page 18 .
22-Nov-2005	5	Modification on Table 3 on page 6 . LM293,A must be -40/+105°C instead of -40/+125°C.
16-Feb-2006	6	Unit error for V_{OI} parameter see Table 3 on page 6 .
23-Aug-2007	7	Corrected error in DIP8 package information related to lead thickness, see Figure 21 on page 12 . Added values for R_{thja} and R_{thjc} , and ESD parameters in Table 1: Absolute maximum ratings .
08-Nov-2007	8	Updated MiniSO-8 package information. Reformatted package information. Added automotive grade order codes.
19-Feb-2008	9	Corrected error in SO-8 package mechanical data: E dimension in drawing was marked with an F in table.
15-Dec-2008	10	Corrected heading in Figure 5 .
22-Feb-2010	11	Deleted automotive grade order codes for LM293 and LM393.
22-Jun-2011	12	Updated typical performance curves. Updated typical values on Table 3 on page 6 . Updated ESD parameters with ESD classes in Table 1: Absolute maximum ratings . Added DFN8 2x2mm package mechanical drawing. Added DFN8 2x2mm recommended footprint. Added DFN8 2x2mm order codes in Table 9 .
27-Jun-2012	13	Updated Features (added package information), Description (added RPNs), Figure 1: Pin connections (top view) moved to page 3, added Contents , updated marking of the LM293QT device in Table 9 , minor text corrections throughout document.
18-Jan-2013	14	Updated Table 8 (added dimensions in inches).

Please Read Carefully:

Information in this document is provided solely in connection with ST products. STMicroelectronics NV and its subsidiaries ("ST") reserve the right to make changes, corrections, modifications or improvements, to this document, and the products and services described herein at any time, without notice.

All ST products are sold pursuant to ST's terms and conditions of sale.

Purchasers are solely responsible for the choice, selection and use of the ST products and services described herein, and ST assumes no liability whatsoever relating to the choice, selection or use of the ST products and services described herein.

No license, express or implied, by estoppel or otherwise, to any intellectual property rights is granted under this document. If any part of this document refers to any third party products or services it shall not be deemed a license grant by ST for the use of such third party products or services, or any intellectual property contained therein or considered as a warranty covering the use in any manner whatsoever of such third party products or services or any intellectual property contained therein.

UNLESS OTHERWISE SET FORTH IN ST'S TERMS AND CONDITIONS OF SALE ST DISCLAIMS ANY EXPRESS OR IMPLIED WARRANTY WITH RESPECT TO THE USE AND/OR SALE OF ST PRODUCTS INCLUDING WITHOUT LIMITATION IMPLIED WARRANTIES OF MERCHANTABILITY, FITNESS FOR A PARTICULAR PURPOSE (AND THEIR EQUIVALENTS UNDER THE LAWS OF ANY JURISDICTION), OR INFRINGEMENT OF ANY PATENT, COPYRIGHT OR OTHER INTELLECTUAL PROPERTY RIGHT.

UNLESS EXPRESSLY APPROVED IN WRITING BY TWO AUTHORIZED ST REPRESENTATIVES, ST PRODUCTS ARE NOT RECOMMENDED, AUTHORIZED OR WARRANTED FOR USE IN MILITARY, AIR CRAFT, SPACE, LIFE SAVING, OR LIFE SUSTAINING APPLICATIONS, NOR IN PRODUCTS OR SYSTEMS WHERE FAILURE OR MALFUNCTION MAY RESULT IN PERSONAL INJURY, DEATH, OR SEVERE PROPERTY OR ENVIRONMENTAL DAMAGE. ST PRODUCTS WHICH ARE NOT SPECIFIED AS "AUTOMOTIVE GRADE" MAY ONLY BE USED IN AUTOMOTIVE APPLICATIONS AT USER'S OWN RISK.

Resale of ST products with provisions different from the statements and/or technical features set forth in this document shall immediately void any warranty granted by ST for the ST product or service described herein and shall not create or extend in any manner whatsoever, any liability of ST.

ST and the ST logo are trademarks or registered trademarks of ST in various countries.

Information in this document supersedes and replaces all information previously supplied.

The ST logo is a registered trademark of STMicroelectronics. All other names are the property of their respective owners.

© 2013 STMicroelectronics - All rights reserved

STMicroelectronics group of companies

Australia - Belgium - Brazil - Canada - China - Czech Republic - Finland - France - Germany - Hong Kong - India - Israel - Italy - Japan - Malaysia - Malta - Morocco - Philippines - Singapore - Spain - Sweden - Switzerland - United Kingdom - United States of America

www.st.com



Компания «ЭлектроПласт» предлагает заключение долгосрочных отношений при поставках импортных электронных компонентов на взаимовыгодных условиях!

Наши преимущества:

- Оперативные поставки широкого спектра электронных компонентов отечественного и импортного производства напрямую от производителей и с крупнейших мировых складов;
- Поставка более 17-ти миллионов наименований электронных компонентов;
- Поставка сложных, дефицитных, либо снятых с производства позиций;
- Оперативные сроки поставки под заказ (от 5 рабочих дней);
- Экспресс доставка в любую точку России;
- Техническая поддержка проекта, помощь в подборе аналогов, поставка прототипов;
- Система менеджмента качества сертифицирована по Международному стандарту ISO 9001;
- Лицензия ФСБ на осуществление работ с использованием сведений, составляющих государственную тайну;
- Поставка специализированных компонентов (Xilinx, Altera, Analog Devices, Intersil, Interpoint, Microsemi, Aeroflex, Peregrine, Syfer, Eurofarad, Texas Instrument, Miteq, Cobham, E2V, MA-COM, Hittite, Mini-Circuits, General Dynamics и др.);

Помимо этого, одним из направлений компании «ЭлектроПласт» является направление «Источники питания». Мы предлагаем Вам помощь Конструкторского отдела:

- Подбор оптимального решения, техническое обоснование при выборе компонента;
- Подбор аналогов;
- Консультации по применению компонента;
- Поставка образцов и прототипов;
- Техническая поддержка проекта;
- Защита от снятия компонента с производства.



Как с нами связаться

Телефон: 8 (812) 309 58 32 (многоканальный)

Факс: 8 (812) 320-02-42

Электронная почта: org@eplast1.ru

Адрес: 198099, г. Санкт-Петербург, ул. Калинина, дом 2, корпус 4, литера А.