

FEATURES

Latch-up immune under all circumstances
 Human body model (HBM) ESD rating: 8 kV
 Low on resistance: 13.5 Ω
 ± 9 V to ± 22 V dual-supply operation
 9 V to 40 V single-supply operation
 48 V supply maximum ratings
 Fully specified at ± 15 V, ± 20 V, +12 V, and +36 V
 V_{DD} to V_{SS} analog signal range

APPLICATIONS

High voltage signal routing
 Automatic test equipment
 Analog front-end circuits
 Precision data acquisition
 Industrial instrumentation
 Amplifier gain select
 Relay replacement

GENERAL DESCRIPTION

The **ADG5419** is a monolithic industrial, complementary metal oxide semiconductor (CMOS) analog switch containing a latch-up immune single-pole/double-throw (SPDT) switch.

Each switch conducts equally well in both directions when on, and each switch has an input signal range that extends to the power supplies. In the off condition, signal levels up to the supplies are blocked. The **ADG5419** exhibits break-before-make switching action for use in multiplexer applications.

The ultralow on resistance and on-resistance flatness of these switches make them ideal solutions for data acquisition and gain switching applications where low distortion is critical. The latch-up immune construction and high ESD rating make these switches more robust in harsh environments.

FUNCTIONAL BLOCK DIAGRAMS

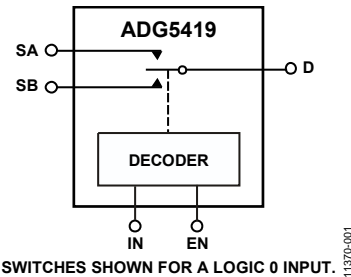


Figure 1. 8-Lead LFCSP

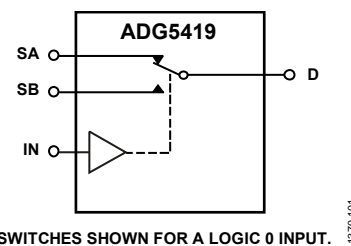


Figure 2. 8-Lead MSOP

PRODUCT HIGHLIGHTS

1. Trench isolation guards against latch-up. A dielectric trench separates the P channel and N channel transistors, thereby preventing latch-up even under severe overvoltage conditions.
2. Low R_{ON} of 13.5 Ω .
3. Dual-supply operation. For applications where the analog signal is bipolar, the **ADG5419** can be operated from dual supplies up to ± 22 V.
4. Single-supply operation. For applications where the analog signal is unipolar, the **ADG5419** can be operated from a single-rail power supply up to 40 V.
5. 3 V logic compatible digital inputs: $V_{INH} = 2.0$ V, $V_{INL} = 0.8$ V.
6. No V_I logic power supply required.
7. Available in 8-lead MSOP and 8-lead, 2 mm \times 3 mm LFCSP packages.

Rev. A

[Document Feedback](#)

Information furnished by Analog Devices is believed to be accurate and reliable. However, no responsibility is assumed by Analog Devices for its use, nor for any infringements of patents or other rights of third parties that may result from its use. Specifications subject to change without notice. No license is granted by implication or otherwise under any patent or patent rights of Analog Devices. Trademarks and registered trademarks are the property of their respective owners.

TABLE OF CONTENTS

| | | | |
|---------------------------------|---|--|----|
| Features | 1 | Continuous Current per Channel, Sx or D..... | 7 |
| Applications..... | 1 | Absolute Maximum Ratings | 8 |
| Functional Block DiagramS | 1 | ESD Caution..... | 8 |
| General Description | 1 | Pin Configurations and Function Descriptions | 9 |
| Product Highlights | 1 | Typical Performance Characteristics | 10 |
| Revision History | 2 | Test Circuits..... | 14 |
| Specifications..... | 3 | Terminology | 17 |
| ±15 V Dual Supply | 3 | Applications Information | 18 |
| ±20 V Dual Supply | 4 | Trench Isolation..... | 18 |
| 12 V Single Supply..... | 5 | Outline Dimensions | 19 |
| 36 V Single Supply..... | 6 | Ordering Guide | 19 |

REVISION HISTORY

3/15—Rev. 0 to Rev. A

| | | | |
|--|-----------|--|----|
| Added 8-Lead LFCSP..... | Universal | Added Figure 23 | 13 |
| Added Figure 1; Renumbered Sequentially | 1 | Changes to Figure 24 Caption | 14 |
| Changes to Table 1..... | 3 | Added Figure 25 and Figure 26 | 14 |
| Changes to Table 2..... | 4 | Deleted Figure 27; Renumbered Sequentially | 14 |
| Changes to Table 3..... | 5 | Added Figure 32 and Figure 33 | 15 |
| Changes to Table 4..... | 6 | Changes to Terminology Section | 17 |
| Changed Continuous Current, Sx or D to 8-Lead MSOP, Table 5 | 7 | Added Figure 37, Outline Dimensions..... | 19 |
| Added Figure 3 and Table 8; Renumbered Sequentially | 9 | Changes to Ordering Guide..... | 19 |
| Changes to Table 7..... | 9 | | |
| Changes to Figure 5..... | 10 | | |

9/13—Revision 0: Initial Version

SPECIFICATIONS

±15 V DUAL SUPPLY

$V_{DD} = +15\text{ V} \pm 10\%$, $V_{SS} = -15\text{ V} \pm 10\%$, GND = 0 V, unless otherwise noted.

Table 1.

| Parameter | 25°C | -40°C to +85°C | -40°C to +125°C | Unit | Test Conditions/Comments |
|---|------------|----------------|----------------------|-------------------|--|
| ANALOG SWITCH | | | | | |
| Analog Signal Range | | | V_{DD} to V_{SS} | V | |
| On Resistance, R_{ON} | 13.5 | | | Ω typ | $V_S = \pm 10\text{ V}$, $I_S = -10\text{ mA}$; see Figure 27 |
| | 15 | 19 | 23 | Ω max | $V_{DD} = +13.5\text{ V}$, $V_{SS} = -13.5\text{ V}$ |
| On-Resistance Match Between Channels, ΔR_{ON} | 0.1 | | | Ω typ | $V_S = \pm 10\text{ V}$, $I_S = -10\text{ mA}$ |
| | 0.8 | 1.3 | 1.4 | Ω max | |
| On-Resistance Flatness, $R_{FLAT(ON)}$ | 1.8 | | | Ω typ | $V_S = \pm 10\text{ V}$, $I_S = -10\text{ mA}$ |
| | 2.2 | 2.7 | 3.1 | Ω max | |
| LEAKAGE CURRENTS | | | | | |
| Source Off Leakage, I_S (Off) | ± 0.1 | | | nA typ | $V_{DD} = +16.5\text{ V}$, $V_{SS} = -16.5\text{ V}$ $V_S = \pm 10\text{ V}$, $V_D = \mp 10\text{ V}$; see Figure 24 and Figure 25 |
| | ± 0.25 | ± 1 | ± 10 | nA max | |
| Drain Off Leakage, I_D (Off) | ± 0.1 | | | nA typ | $V_S = \pm 10\text{ V}$, $V_D = \mp 10\text{ V}$; see Figure 25 |
| | ± 0.4 | ± 4 | ± 10 | nA max | |
| Channel On Leakage, I_D (On), I_S (On) | ± 0.1 | | | nA typ | $V_S = V_D = \pm 10\text{ V}$; see Figure 24 and Figure 26 |
| | ± 0.4 | ± 4 | ± 10 | nA max | |
| DIGITAL INPUTS | | | | | |
| Input High Voltage, V_{INH} | | | 2.0 | V min | |
| Input Low Voltage, V_{INL} | | | 0.8 | V max | |
| Input Current, I_{INL} or I_{INH} | 0.002 | | | μA typ | $V_{IN} = V_{GND}$ or V_{DD} |
| | | | ± 0.1 | μA max | |
| Digital Input Capacitance, C_{IN} | 6 | | | pF typ | |
| DYNAMIC CHARACTERISTICS¹ | | | | | |
| Transition Time, $t_{TRANSITION}$ | 217 | | | ns typ | $R_L = 300\ \Omega$, $C_L = 35\text{ pF}$ |
| | 260 | 310 | 336 | ns max | $V_S = 10\text{ V}$; see Figure 32 |
| t_{ON} (EN) | 179 | | | ns typ | $R_L = 300\ \Omega$, $C_L = 35\text{ pF}$ |
| | 212 | 261 | 298 | ns max | $V_S = 10\text{ V}$; see Figure 33 |
| t_{OFF} (EN) | 153 | | | ns typ | $R_L = 300\ \Omega$, $C_L = 35\text{ pF}$ |
| | 176 | 195 | 209 | ns max | $V_S = 10\text{ V}$; see Figure 33 |
| Break-Before-Make Time Delay, t_D | 86 | | | ns typ | $R_L = 300\ \Omega$, $C_L = 35\text{ pF}$ |
| | | | 45 | ns min | $V_S = 10\text{ V}$; see Figure 34 |
| Charge Injection, Q_{INJ} | 130 | | | pC typ | $V_S = 0\text{ V}$, $R_S = 0\ \Omega$, $C_L = 1\text{ nF}$; see Figure 35 |
| Off Isolation | -60 | | | dB typ | $R_L = 50\ \Omega$, $C_L = 5\text{ pF}$, $f = 1\text{ MHz}$; see Figure 29 |
| Channel-to-Channel Crosstalk | -80 | | | dB typ | $R_L = 50\ \Omega$, $C_L = 5\text{ pF}$, $f = 1\text{ MHz}$; see Figure 28 |
| Total Harmonic Distortion + Noise | 0.01 | | | % typ | $R_L = 1\text{ k}\Omega$, 15 V p-p , $f = 20\text{ Hz}$ to 20 kHz ; see Figure 30 |
| -3 dB Bandwidth | 190 | | | MHz typ | $R_L = 50\ \Omega$, $C_L = 5\text{ pF}$; see Figure 31 |
| Insertion Loss | -0.8 | | | dB typ | $R_L = 50\ \Omega$, $C_L = 5\text{ pF}$, $f = 1\text{ MHz}$; see Figure 31 |
| C_S (Off) | 12 | | | pF typ | $V_S = 0\text{ V}$, $f = 1\text{ MHz}$ |
| C_D (Off) | 23 | | | pF typ | $V_S = 0\text{ V}$, $f = 1\text{ MHz}$ |
| C_D (On), C_S (On) | 55 | | | pF typ | $V_S = 0\text{ V}$, $f = 1\text{ MHz}$ |
| POWER REQUIREMENTS | | | | | |
| I_{DD} | 45 | | | μA typ | $V_{DD} = +16.5\text{ V}$, $V_{SS} = -16.5\text{ V}$ Digital inputs = 0 V or V_{DD} |
| | 55 | | 70 | μA max | |
| I_{SS} | 0.001 | | | μA typ | Digital inputs = 0 V or V_{DD} |
| | | | 1 | μA max | |
| V_{DD}/V_{SS} | | | $\pm 9/\pm 22$ | V min/V max | GND = 0 V |

¹ Guaranteed by design; not subject to production test.

±20 V DUAL SUPPLY

$V_{DD} = +20\text{ V} \pm 10\%$, $V_{SS} = -20\text{ V} \pm 10\%$, $GND = 0\text{ V}$, unless otherwise noted.

Table 2.

| Parameter | 25°C | −40°C to +85°C | −40°C to +125°C | Unit | Test Conditions/Comments |
|---|------------|----------------|----------------------|-------------------|--|
| ANALOG SWITCH | | | | | |
| Analog Signal Range | | | V_{DD} to V_{SS} | V | |
| On Resistance, R_{ON} | 12.5 | | | Ω typ | $V_S = \pm 15\text{ V}$, $I_S = -10\text{ mA}$; see Figure 27 |
| | 14 | 18 | 22 | Ω max | $V_{DD} = +18\text{ V}$, $V_{SS} = -18\text{ V}$ |
| On-Resistance Match Between Channels, ΔR_{ON} | 0.1 | | | Ω typ | $V_S = \pm 15\text{ V}$, $I_S = -10\text{ mA}$ |
| | 0.8 | 1.3 | 1.4 | Ω max | |
| On-Resistance Flatness, $R_{FLAT(ON)}$ | 2.3 | | | Ω typ | $V_S = \pm 15\text{ V}$, $I_S = -10\text{ mA}$ |
| | 2.7 | 3.3 | 3.7 | Ω max | |
| LEAKAGE CURRENTS | | | | | |
| Source Off Leakage, I_S (Off) | ± 0.1 | | | nA typ | $V_{DD} = +22\text{ V}$, $V_{SS} = -22\text{ V}$ $V_S = \pm 15\text{ V}$, $V_D = \mp 15\text{ V}$; see Figure 24 and Figure 25 |
| | ± 0.25 | ± 1 | ± 10 | nA max | |
| Drain Off Leakage, I_D (Off) | ± 0.1 | | | nA typ | $V_S = \pm 15\text{ V}$, $V_D = \mp 15\text{ V}$; see Figure 25 |
| | ± 0.4 | ± 4 | ± 10 | nA max | |
| Channel On Leakage, I_D (On), I_S (On) | ± 0.1 | | | nA typ | $V_S = V_D = \pm 15\text{ V}$; see Figure 24 and Figure 26 |
| | ± 0.4 | ± 4 | ± 10 | nA max | |
| DIGITAL INPUTS | | | | | |
| Input High Voltage, V_{INH} | | | 2.0 | V min | |
| Input Low Voltage, V_{INL} | | | 0.8 | V max | |
| Input Current, I_{INL} or I_{INH} | 0.002 | | | μA typ | $V_{IN} = V_{GND}$ or V_{DD} |
| | | | ± 0.1 | μA max | |
| Digital Input Capacitance, C_{IN} | 6 | | | pF typ | |
| DYNAMIC CHARACTERISTICS¹ | | | | | |
| Transition Time, $t_{TRANSITION}$ | 200 | | | ns typ | $R_L = 300\ \Omega$, $C_L = 35\text{ pF}$ |
| | 235 | 279 | 294 | ns max | $V_S = 10\text{ V}$; see Figure 32 |
| t_{ON} (EN) | 199 | | | ns typ | $R_L = 300\ \Omega$, $C_L = 35\text{ pF}$ |
| | 239 | 300 | 344 | ns max | $V_S = 10\text{ V}$; see Figure 33 |
| t_{OFF} (EN) | 157 | | | ns typ | $R_L = 300\ \Omega$, $C_L = 35\text{ pF}$ |
| | 185 | 208 | 227 | ns max | $V_S = 10\text{ V}$; see Figure 33 |
| Break-Before-Make Time Delay, t_D | 77 | | | ns typ | $R_L = 300\ \Omega$, $C_L = 35\text{ pF}$ |
| | | | 46 | ns min | $V_S = 10\text{ V}$; see Figure 34 |
| Charge Injection, Q_{INJ} | 160 | | | pC typ | $V_S = 0\text{ V}$, $R_S = 0\ \Omega$, $C_L = 1\text{ nF}$; see Figure 35 |
| Off Isolation | −60 | | | dB typ | $R_L = 50\ \Omega$, $C_L = 5\text{ pF}$, $f = 1\text{ MHz}$; see Figure 29 |
| Channel-to-Channel Crosstalk | −80 | | | dB typ | $R_L = 50\ \Omega$, $C_L = 5\text{ pF}$, $f = 1\text{ MHz}$; see Figure 28 |
| Total Harmonic Distortion + Noise | 0.01 | | | % typ | $R_L = 1\text{ k}\Omega$, 20 V p-p , $f = 20\text{ Hz to } 20\text{ kHz}$; see Figure 30 |
| −3 dB Bandwidth | 190 | | | MHz typ | $R_L = 50\ \Omega$, $C_L = 5\text{ pF}$; see Figure 31 |
| Insertion Loss | −0.7 | | | dB typ | $R_L = 50\ \Omega$, $C_L = 5\text{ pF}$, $f = 1\text{ MHz}$; see Figure 31 |
| C_S (Off) | 11 | | | pF typ | $V_S = 0\text{ V}$, $f = 1\text{ MHz}$ |
| C_D (Off) | 22 | | | pF typ | $V_S = 0\text{ V}$, $f = 1\text{ MHz}$ |
| C_D (On), C_S (On) | 55 | | | pF typ | $V_S = 0\text{ V}$, $f = 1\text{ MHz}$ |
| POWER REQUIREMENTS | | | | | |
| I_{DD} | 50 | | | μA typ | $V_{DD} = +22\text{ V}$, $V_{SS} = -22\text{ V}$ Digital inputs = 0 V or V_{DD} |
| | 70 | | 110 | μA max | |
| I_{SS} | 0.001 | | | μA typ | Digital inputs = 0 V or V_{DD} |
| | | | 1 | μA max | |
| V_{DD}/V_{SS} | | | $\pm 9/\pm 22$ | V min/V max | $GND = 0\text{ V}$ |

¹ Guaranteed by design; not subject to production test.

12 V SINGLE SUPPLY

$V_{DD} = 12\text{ V} \pm 10\%$, $V_{SS} = 0\text{ V}$, $GND = 0\text{ V}$, unless otherwise noted.

Table 3.

| Parameter | 25°C | -40°C to +85°C | -40°C to +125°C | Unit | Test Conditions/Comments |
|---|------------|----------------|-----------------|-------------------|--|
| ANALOG SWITCH | | | | | |
| Analog Signal Range | | | 0 V to V_{DD} | V | |
| On Resistance, R_{ON} | 26 | | | Ω typ | $V_S = 0\text{ V to }10\text{ V}$, $I_S = -10\text{ mA}$; see Figure 27 |
| | 30 | 38 | 44 | Ω max | $V_{DD} = 10.8\text{ V}$, $V_{SS} = 0\text{ V}$ |
| On-Resistance Match Between Channels, ΔR_{ON} | 0.1 | | | Ω typ | $V_S = 0\text{ V to }10\text{ V}$, $I_S = -10\text{ mA}$ |
| | 1 | 1.5 | 1.6 | Ω max | |
| On-Resistance Flatness, $R_{FLAT(ON)}$ | 5.5 | | | Ω typ | $V_S = 0\text{ V to }10\text{ V}$, $I_S = -10\text{ mA}$ |
| | 6.8 | 8.3 | 12.3 | Ω max | |
| LEAKAGE CURRENTS | | | | | |
| Source Off Leakage, I_S (Off) | ± 0.1 | | | nA typ | $V_{DD} = +13.2\text{ V}$, $V_{SS} = 0\text{ V}$ $V_S = 1\text{ V to }10\text{ V}$, $V_D = 10\text{ V to }1\text{ V}$; see Figure 24 and Figure 25 |
| | ± 0.25 | ± 1 | ± 10 | nA max | |
| Drain Off Leakage, I_D (Off) | ± 0.1 | | | nA typ | $V_S = 1\text{ V to }10\text{ V}$, $V_D = 10\text{ V to }1\text{ V}$; see Figure 25 |
| | ± 0.4 | ± 4 | ± 10 | nA max | |
| Channel On Leakage, I_D (On), I_S (On) | ± 0.1 | | | nA typ | $V_S = V_D = 1\text{ V to }10\text{ V}$; see Figure 24 and Figure 26 |
| | ± 0.4 | ± 4 | ± 10 | nA max | |
| DIGITAL INPUTS | | | | | |
| Input High Voltage, V_{INH} | | | 2.0 | V min | |
| Input Low Voltage, V_{INL} | | | 0.8 | V max | |
| Input Current, I_{INL} or I_{INH} | 0.002 | | | μA typ | $V_{IN} = V_{GND}$ or V_{DD} |
| | | | ± 0.1 | μA max | |
| Digital Input Capacitance, C_{IN} | 6 | | | pF typ | |
| DYNAMIC CHARACTERISTICS¹ | | | | | |
| Transition Time, $t_{TRANSITION}$ | 333 | | | ns typ | $R_L = 300\ \Omega$, $C_L = 35\text{ pF}$ |
| | 414 | 508 | 567 | ns max | $V_S = 8\text{ V}$; see Figure 32 |
| t_{ON} (EN) | 327 | | | ns typ | $R_L = 300\ \Omega$, $C_L = 35\text{ pF}$ |
| | 410 | 526 | 612 | ns max | $V_S = 8\text{ V}$; see Figure 33 |
| t_{OFF} (EN) | 166 | | | ns typ | $R_L = 300\ \Omega$, $C_L = 35\text{ pF}$ |
| | 200 | 528 | 611 | ns max | $V_S = 8\text{ V}$; see Figure 33 |
| Break-Before-Make Time Delay, t_D | 176 | | | ns typ | $R_L = 300\ \Omega$, $C_L = 35\text{ pF}$ |
| | | | 97 | ns min | $V_S = 8\text{ V}$; see Figure 34 |
| Charge Injection, Q_{INJ} | 55 | | | pC typ | $V_S = 6\text{ V}$, $R_S = 0\ \Omega$, $C_L = 1\text{ nF}$; see Figure 35 |
| Off Isolation | -60 | | | dB typ | $R_L = 50\ \Omega$, $C_L = 5\text{ pF}$, $f = 1\text{ MHz}$; see Figure 29 |
| Channel-to-Channel Crosstalk | -80 | | | dB typ | $R_L = 50\ \Omega$, $C_L = 5\text{ pF}$, $f = 1\text{ MHz}$; see Figure 28 |
| Total Harmonic Distortion + Noise | 0.03 | | | % typ | $R_L = 1\text{ k}\Omega$, 6 V p-p , $f = 20\text{ Hz to }20\text{ kHz}$; see Figure 30 |
| -3 dB Bandwidth | 170 | | | MHz typ | $R_L = 50\ \Omega$, $C_L = 5\text{ pF}$; see Figure 31 |
| Insertion Loss | -1.7 | | | dB typ | $R_L = 50\ \Omega$, $C_L = 5\text{ pF}$, $f = 1\text{ MHz}$; see Figure 31 |
| C_S (Off) | 15 | | | pF typ | $V_S = 6\text{ V}$, $f = 1\text{ MHz}$ |
| C_D (Off) | 29 | | | pF typ | $V_S = 0\text{ V}$, $f = 1\text{ MHz}$ |
| C_D (On), C_S (On) | 50 | | | pF typ | $V_S = 6\text{ V}$, $f = 1\text{ MHz}$ |
| POWER REQUIREMENTS | | | | | |
| I_{DD} | 40 | | | μA typ | $V_{DD} = 13.2\text{ V}$ |
| | 50 | | 65 | μA max | Digital inputs = 0 V or V_{DD} |
| V_{DD} | | | 9/40 | V min/V max | $GND = 0\text{ V}$, $V_{SS} = 0\text{ V}$ |

¹ Guaranteed by design; not subject to production test.

36 V SINGLE SUPPLY

$V_{DD} = 36\text{ V} \pm 10\%$, $V_{SS} = 0\text{ V}$, $GND = 0\text{ V}$, unless otherwise noted.

Table 4.

| Parameter | 25°C | -40°C to +85°C | -40°C to +125°C | Unit | Test Conditions/Comments |
|---|-------------------------|----------------|-----------------|--|---|
| ANALOG SWITCH | | | | | |
| Analog Signal Range | | | 0 V to V_{DD} | V | |
| On Resistance, R_{ON} | 14.5 | | | Ω typ | $V_S = 0\text{ V to }30\text{ V}$, $I_S = -10\text{ mA}$; see Figure 27 |
| On-Resistance Match Between Channels, ΔR_{ON} | 16 0.1 | 20 | 24 | Ω max Ω typ | $V_{DD} = 32.4\text{ V}$, $V_{SS} = 0\text{ V}$ $V_S = 0\text{ V to }30\text{ V}$, $I_S = -10\text{ mA}$ |
| On-Resistance Flatness, $R_{FLAT(ON)}$ | 0.8 3.5 4.3 | 1.3 | 1.4 6.5 | Ω max Ω typ Ω max | $V_S = 0\text{ V to }30\text{ V}$, $I_S = -10\text{ mA}$ |
| LEAKAGE CURRENTS | | | | | |
| Source Off Leakage, I_S (Off) | ± 0.1 | | | nA typ | $V_{DD} = 39.6\text{ V}$, $V_{SS} = 0\text{ V}$ $V_S = 1\text{ V to }30\text{ V}$, $V_D = 30\text{ V to }1\text{ V}$; see Figure 24 and Figure 25 |
| Drain Off Leakage, I_D (Off) | ± 0.25 ± 0.1 | ± 1 | ± 10 | nA max nA typ | $V_S = 1\text{ V to }30\text{ V}$, $V_D = 30\text{ V to }1\text{ V}$; see Figure 25 |
| Channel On Leakage, I_D (On), I_S (On) | ± 0.4 ± 0.1 | ± 4 | ± 10 | nA max nA typ | $V_S = V_D = 1\text{ V to }30\text{ V}$; see Figure 24 and Figure 26 |
| | ± 0.4 | ± 4 | ± 10 | nA max | |
| DIGITAL INPUTS | | | | | |
| Input High Voltage, V_{INH} | | | 2.0 | V min | |
| Input Low Voltage, V_{INL} | | | 0.8 | V max | |
| Input Current, I_{INL} or I_{INH} | 0.002 | | | μA typ | $V_{IN} = V_{GND}$ or V_{DD} |
| Digital Input Capacitance, C_{IN} | 6 | | ± 0.1 | μA max pF typ | |
| DYNAMIC CHARACTERISTICS¹ | | | | | |
| Transition Time, $t_{TRANSITION}$ | 216 250 | | | ns typ ns max | $R_L = 300\ \Omega$, $C_L = 35\text{ pF}$ $V_S = 18\text{ V}$; see Figure 32 |
| t_{ON} (EN) | 199 232 | 286 | 310 | ns typ ns max | $R_L = 300\ \Omega$, $C_L = 35\text{ pF}$ $V_S = 18\text{ V}$; see Figure 33 |
| t_{OFF} (EN) | 160 193 | 279 | 315 | ns typ ns max | $R_L = 300\ \Omega$, $C_L = 35\text{ pF}$ $V_S = 18\text{ V}$; see Figure 33 |
| Break-Before-Make Time Delay, t_D | 80 | 284 | 315 | ns typ ns min | $R_L = 300\ \Omega$, $C_L = 35\text{ pF}$ $V_S = 18\text{ V}$; see Figure 34 |
| Charge Injection, Q_{INJ} | 135 | | 47 | pC typ | $V_S = 18\text{ V}$, $R_S = 0\ \Omega$, $C_L = 1\text{ nF}$; see Figure 35 |
| Off Isolation | -60 | | | dB typ | $R_L = 50\ \Omega$, $C_L = 5\text{ pF}$, $f = 1\text{ MHz}$; see Figure 29 |
| Channel-to-Channel Crosstalk | -80 | | | dB typ | $R_L = 50\ \Omega$, $C_L = 5\text{ pF}$, $f = 1\text{ MHz}$; see Figure 28 |
| Total Harmonic Distortion + Noise | 0.01 | | | % typ | $R_L = 1\text{ k}\Omega$, 18 V p-p , $f = 20\text{ Hz to }20\text{ kHz}$; see Figure 30 |
| -3 dB Bandwidth | 170 | | | MHz typ | $R_L = 50\ \Omega$, $C_L = 5\text{ pF}$; see Figure 31 |
| Insertion Loss | -1 | | | dB typ | $R_L = 50\ \Omega$, $C_L = 5\text{ pF}$, $f = 1\text{ MHz}$; see Figure 31 |
| C_S (Off) | 14 | | | pF typ | $V_S = 18\text{ V}$, $f = 1\text{ MHz}$ |
| C_D (Off) | 26 | | | pF typ | $V_S = 0\text{ V}$, $f = 1\text{ MHz}$ |
| C_D (On), C_S (On) | 50 | | | pF typ | $V_S = 18\text{ V}$, $f = 1\text{ MHz}$ |
| POWER REQUIREMENTS | | | | | |
| I_{DD} | 80 100 | | | μA typ μA max | $V_{DD} = 39.6\text{ V}$ Digital inputs = 0 V or V_{DD} |
| V_{DD} | | | 130 9/40 | V min/V max | $GND = 0\text{ V}$, $V_{SS} = 0\text{ V}$ |

¹ Guaranteed by design; not subject to production test.

CONTINUOUS CURRENT PER CHANNEL, S_x OR D

Table 5.

| Parameter | 25°C | 85°C | 125°C | Unit | Test Conditions/Comments |
|---|------|------|-------|------------|---|
| 8-LEAD MSOP | | | | | $\theta_{JA} = 133.1^{\circ}\text{C/W}$ |
| $V_{DD} = 15\text{ V}, V_{SS} = -15\text{ V}$ | 113 | 73 | 46 | mA maximum | |
| $V_{DD} = 20\text{ V}, V_{SS} = -20\text{ V}$ | 118 | 76 | 47 | mA maximum | |
| $V_{DD} = 12\text{ V}, V_{SS} = 0\text{ V}$ | 90 | 60 | 41 | mA maximum | |
| $V_{DD} = 36\text{ V}, V_{SS} = 0\text{ V}$ | 116 | 74 | 46 | mA maximum | |
| 8-LEAD LFCSP | | | | | $\theta_{JA} = 60.88^{\circ}\text{C/W}$ |
| $V_{DD} = 15\text{ V}, V_{SS} = -15\text{ V}$ | 156 | 92 | 52 | mA maximum | |
| $V_{DD} = 20\text{ V}, V_{SS} = -20\text{ V}$ | 163 | 95 | 53 | mA maximum | |
| $V_{DD} = 12\text{ V}, V_{SS} = 0\text{ V}$ | 126 | 78 | 48 | mA maximum | |
| $V_{DD} = 36\text{ V}, V_{SS} = 0\text{ V}$ | 160 | 93 | 53 | mA maximum | |

ABSOLUTE MAXIMUM RATINGS

$T_A = 25^\circ\text{C}$, unless otherwise noted.

Table 6.

| Parameter | Rating |
|--|---|
| V_{DD} to V_{SS} | 48 V |
| V_{DD} to GND | -0.3 V to +48 V |
| V_{SS} to GND | +0.3 V to -48 V |
| Analog Inputs ¹ | $V_{SS} - 0.3\text{ V}$ to $V_{DD} + 0.3\text{ V}$ or 30 mA, whichever occurs first |
| Digital Inputs ¹ | $V_{SS} - 0.3\text{ V}$ to $V_{DD} + 0.3\text{ V}$ or 30 mA, whichever occurs first |
| Peak Current, Sx or D Pins | 410 mA (pulsed at 1 ms, 10% duty cycle maximum) |
| Continuous Current, Sx or D ² | Data + 15% |
| Temperature Range | |
| Operating | -40°C to +125°C |
| Storage | -65°C to +150°C |
| Junction Temperature | 150°C |
| Thermal Impedance, θ_{JA} | |
| 8-Lead MSOP (4-Layer Board) | 133.1°C/W |
| 8-Lead LFCSP | 60.88°C/W |
| Reflow Soldering Peak Temperature, Pb Free | As per JEDEC J-STD-020 |
| Human Body Model (HBM) ESD | 8 kV |

¹ Overvoltages at the IN, Sx, and D pins are clamped by internal diodes. Limit current to the maximum ratings given.

² See Table 5.

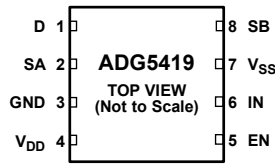
Stresses at or above those listed under Absolute Maximum Ratings may cause permanent damage to the product. This is a stress rating only; functional operation of the product at these or any other conditions above those indicated in the operational section of this specification is not implied. Operation beyond the maximum operating conditions for extended periods may affect product reliability.

ESD CAUTION



ESD (electrostatic discharge) sensitive device. Charged devices and circuit boards can discharge without detection. Although this product features patented or proprietary protection circuitry, damage may occur on devices subjected to high energy ESD. Therefore, proper ESD precautions should be taken to avoid performance degradation or loss of functionality.

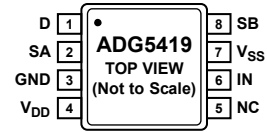
PIN CONFIGURATIONS AND FUNCTION DESCRIPTIONS



NOTES
1. EXPOSED PAD TIED TO SUBSTRATE, V_{SS} .

Figure 3. 8-Lead LFCSP Pin Configuration

11370-103



NOTES
1. NC = NO CONNECT. NOT INTERNALLY CONNECTED.

Figure 4. 8-Lead MSOP Pin Configuration

11370-002

Table 7. Pin Function Descriptions

| Pin No. | | Mnemonic | Description |
|---------|----------------|----------|--|
| LFCSP | MSOP | | |
| 1 | 1 | D | Drain Terminal. This pin can be an input or output. |
| 2 | 2 | SA | Source Terminal. This pin can be an input or an output. |
| 3 | 3 | GND | Ground (0 V) Reference. |
| 4 | 4 | V_{DD} | Most Positive Power Supply Potential. |
| 5 | | EN | Active High Digital Input. When this pin is low, the device is disabled and all switches are turned off. When this pin is high, the IN logic input determines the state of the switch. |
| 6 | 6 | IN | Logic Control Input. |
| 7 | 7 | V_{SS} | Most Negative Power Supply Potential. |
| 8 | 8 | SB | Source Terminal. This pin can be an input or an output. |
| | 5 | NC | No Connect. Not internally connected. |
| | Not applicable | EPAD | Exposed Pad. Exposed pad tied to substrate, V_{SS} . |

Table 8. LFCSP Truth Table

| EN | IN | Switch A | Switch B |
|----|----------------|----------|----------|
| 0 | X ¹ | Off | Off |
| 1 | 0 | On | Off |
| 1 | 1 | Off | On |

¹X = don't care.

Table 9. MSOP Truth Table

| IN | Switch A | Switch B |
|----|----------|----------|
| 0 | On | Off |
| 1 | Off | On |

TYPICAL PERFORMANCE CHARACTERISTICS

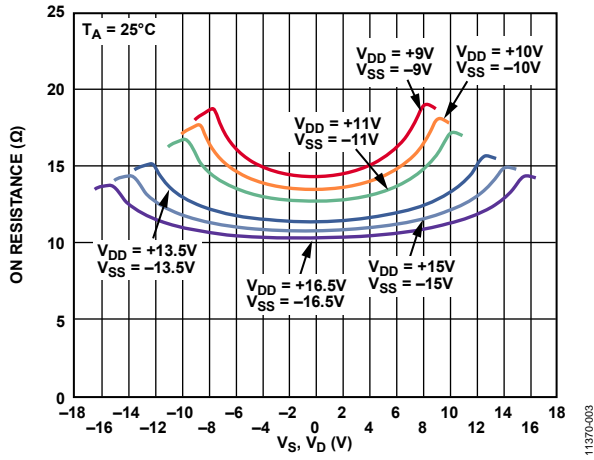


Figure 5. On Resistance as a Function of V_S, V_D Dual Supply

11370-003

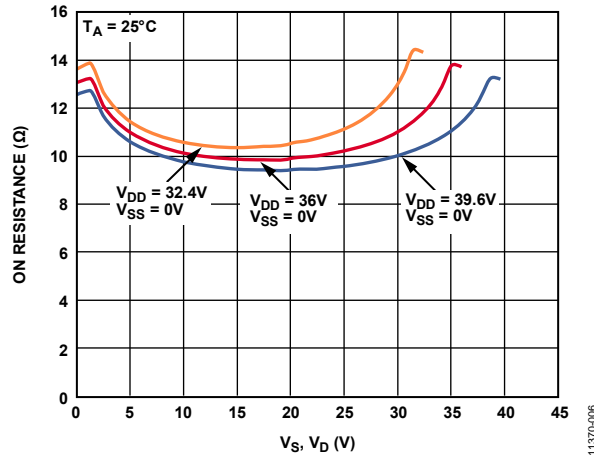


Figure 8. On Resistance as a Function of V_S, V_D (Single Supply)

11370-006

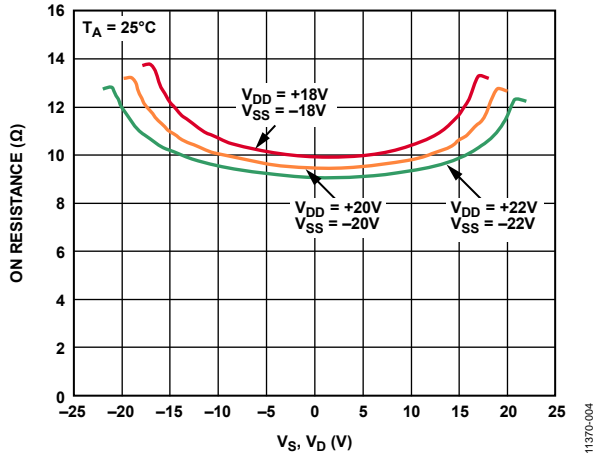


Figure 6. On Resistance as a Function of V_S, V_D Dual Supply

11370-004

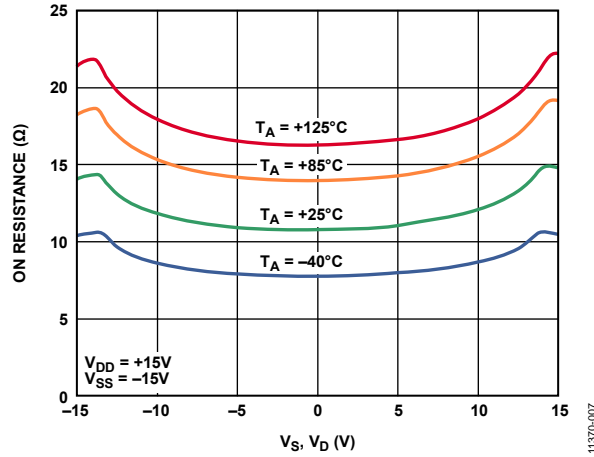


Figure 9. On Resistance as a Function of $V_S (V_D)$ for Different Temperatures, ± 15 V Dual Supply

11370-007

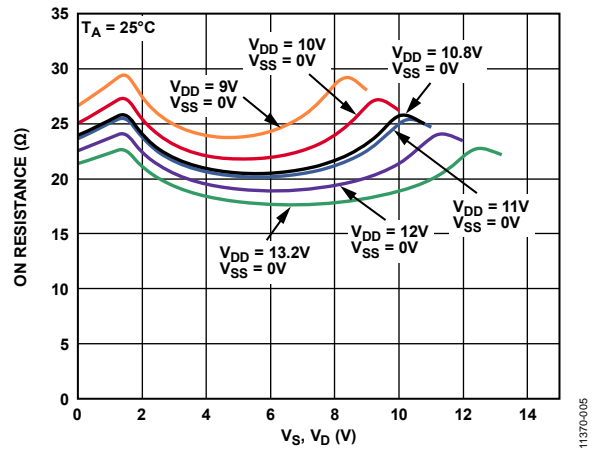


Figure 7. On Resistance as a Function of V_S, V_D (Single Supply)

11370-005

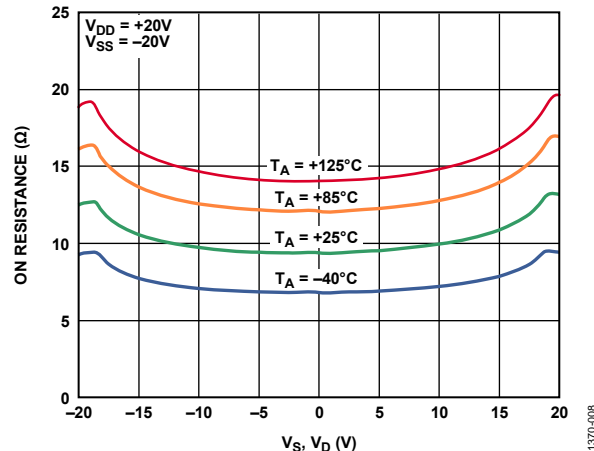


Figure 10. On Resistance as a Function of $V_S (V_D)$ for Different Temperatures, ± 20 V Dual Supply

11370-008

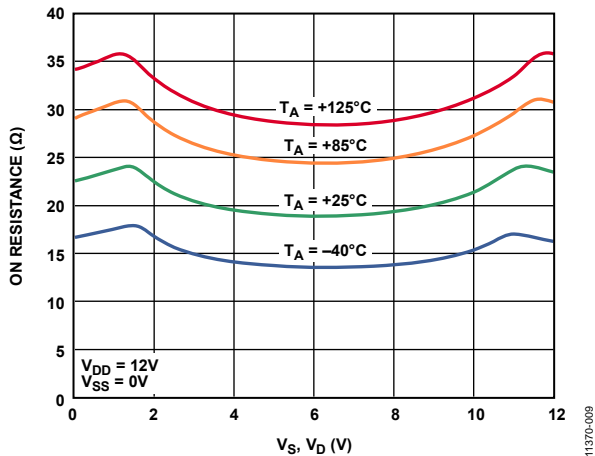


Figure 11. On Resistance as a Function of V_S (V_D) for Different Temperatures, 12 V Single Supply

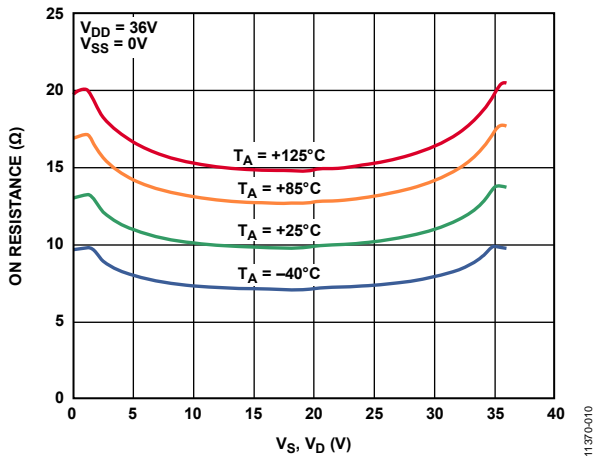


Figure 12. On Resistance as a Function of V_S (V_D) for Different Temperatures, 36 V Single Supply

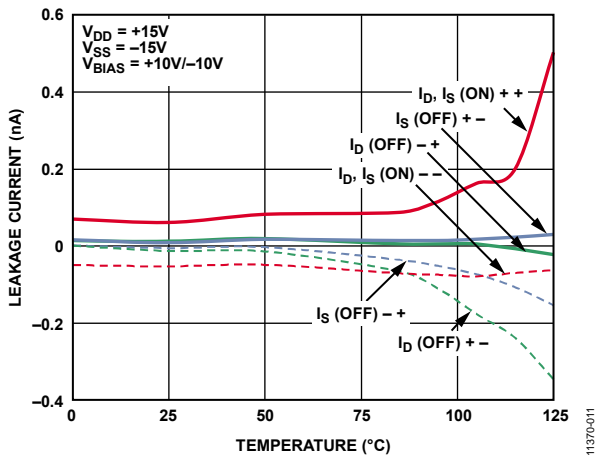


Figure 13. Leakage Currents as a Function of Temperature, ± 15 V Dual Supply

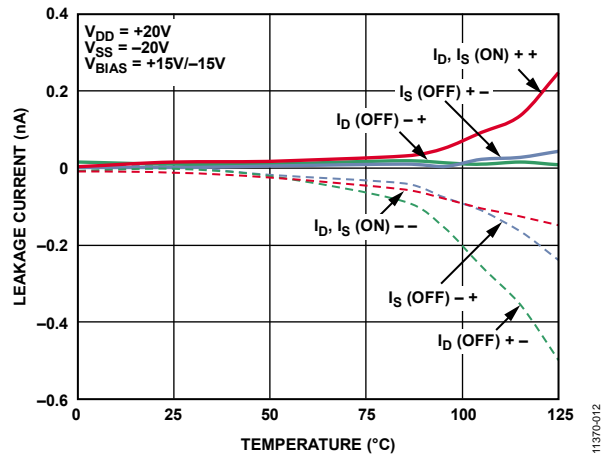


Figure 14. Leakage Currents as a Function of Temperature, ± 20 V Dual Supply

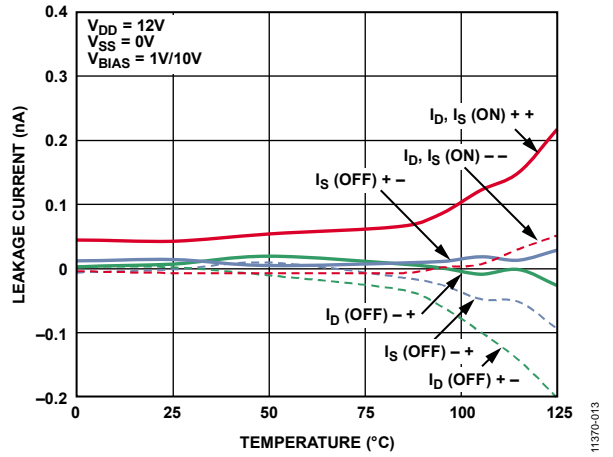


Figure 15. Leakage Currents as a Function of Temperature, 12 V Single Supply

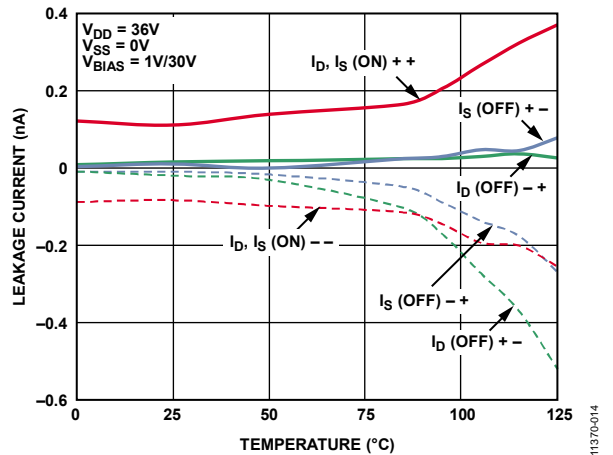


Figure 16. Leakage Currents as a Function of Temperature, 36 V Single Supply

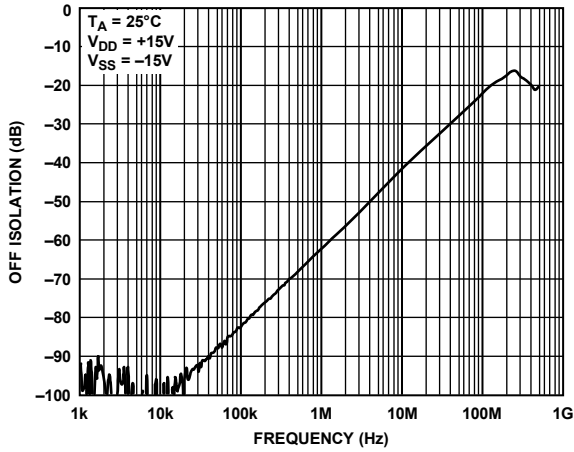


Figure 17. Off Isolation vs. Frequency

11370-015

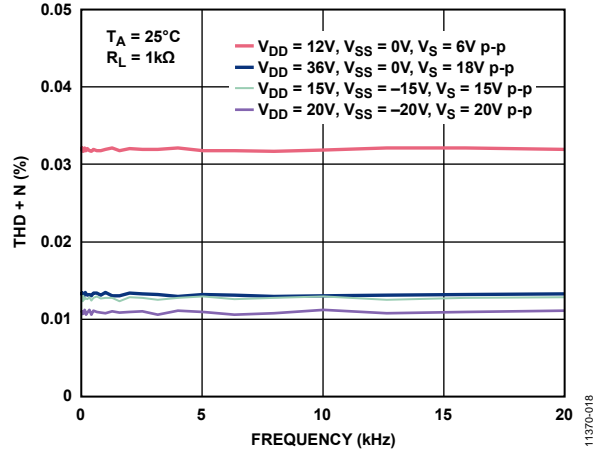


Figure 20. THD + N vs. Frequency

11370-018

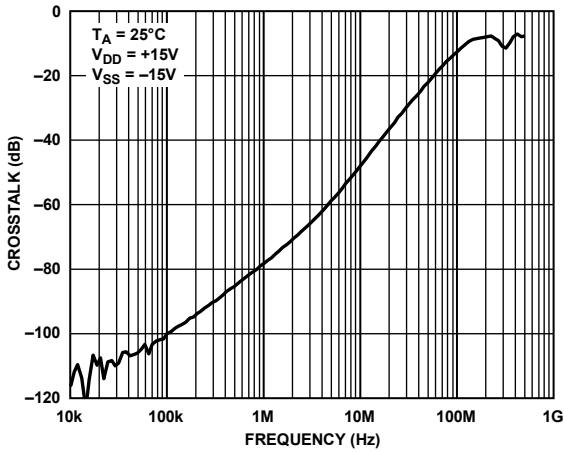


Figure 18. Crosstalk vs. Frequency

11370-016

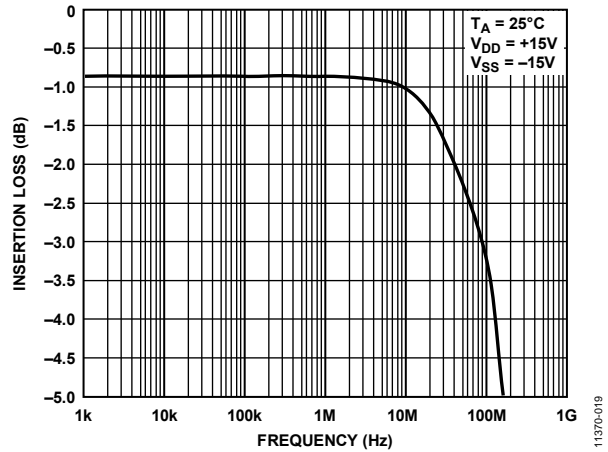


Figure 21. Bandwidth

11370-019

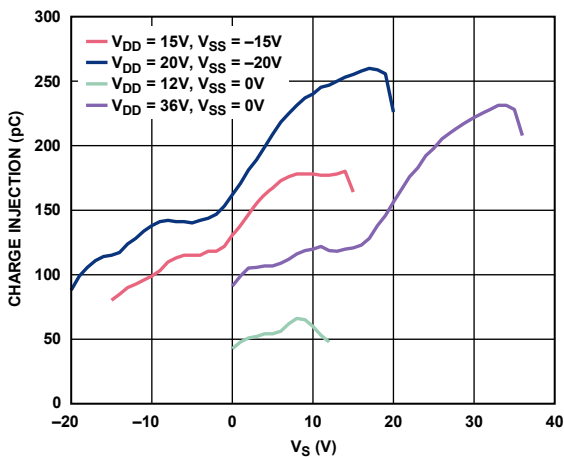


Figure 19. Charge Injection vs. Source Voltage

11370-017

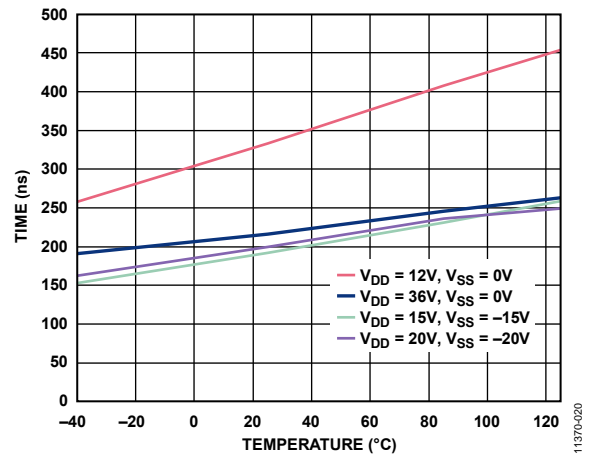


Figure 22. $t_{\text{TRANSITION}}$ Times vs. Temperature

11370-020

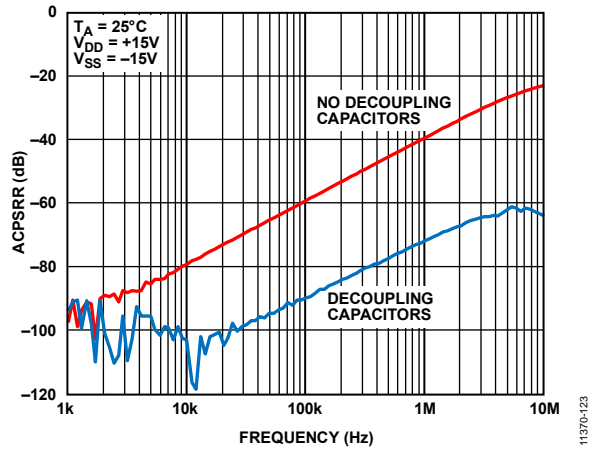


Figure 23. ACPSRR vs. Frequency

11370-123

TEST CIRCUITS

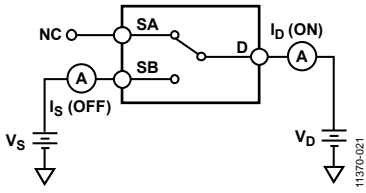


Figure 24. Channel On and Source Off Leakage (MSOP Only)

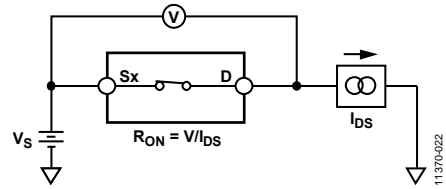


Figure 27. On Resistance

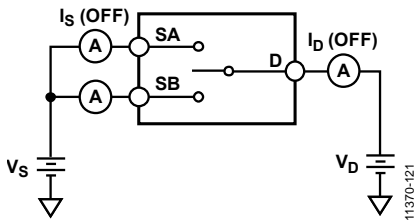


Figure 25. Off Leakage (LFCSP Only)

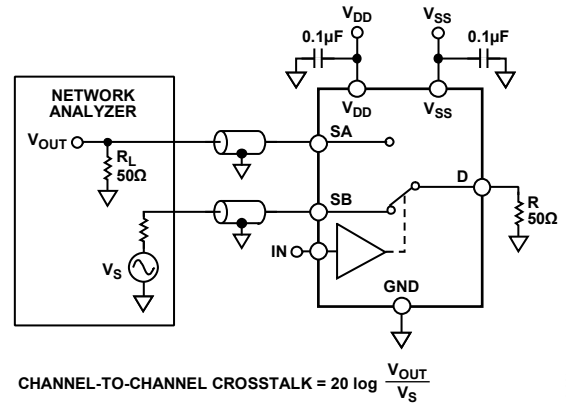


Figure 28. Channel-to-Channel Crosstalk

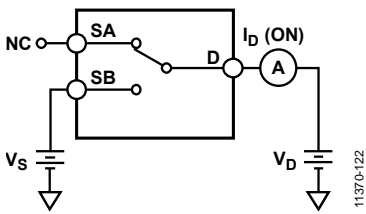


Figure 26. On Leakage (LFCSP Only)

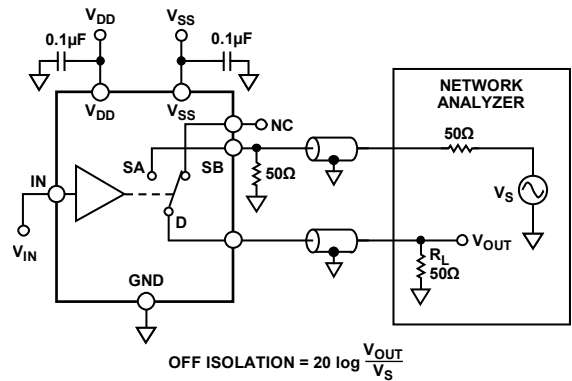


Figure 29. Off Isolation

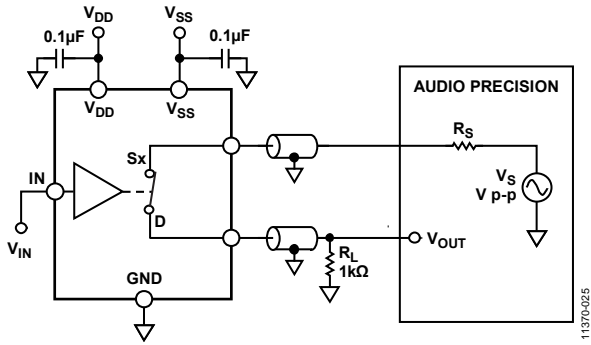


Figure 30. THD + Noise

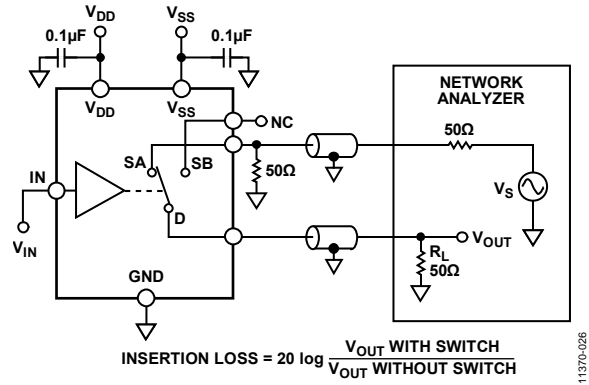
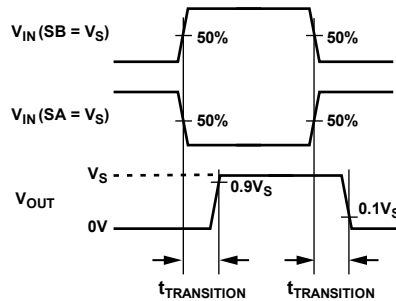
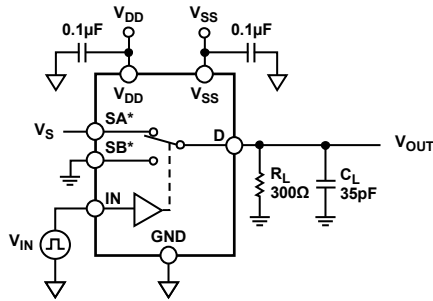


Figure 31. Bandwidth



*ALTERNATIVELY, SB CAN BE CONNECTED TO VS WITH SA CONNECTED TO GROUND.

Figure 32. Transition Time, $t_{TRANSITION}$

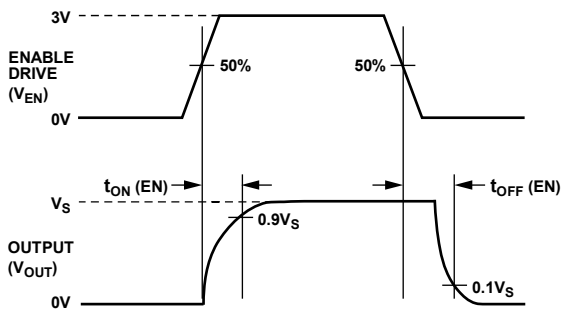
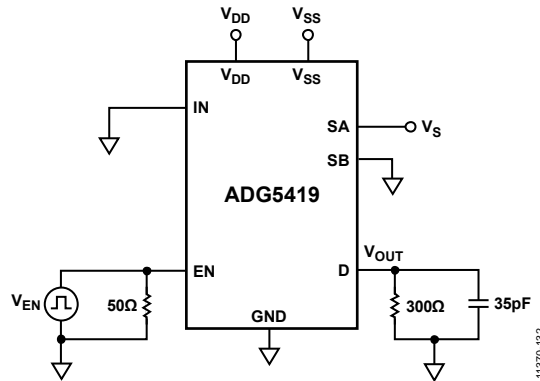


Figure 33. Enable Delay, $t_{ON}(EN)$, $t_{OFF}(EN)$ (LFCSP Only)



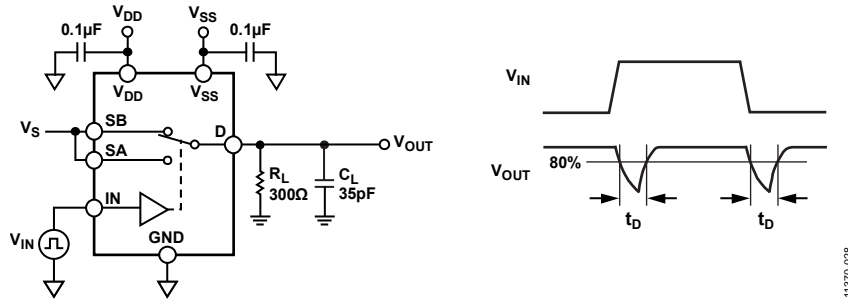


Figure 34. Break-Before-Make Delay, t_D

11370-028

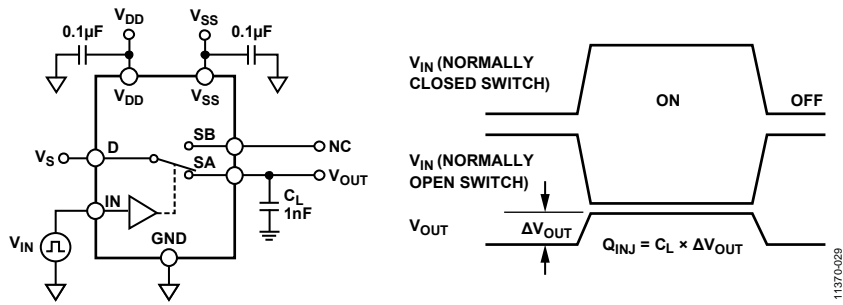


Figure 35. Charge Injection

11370-029

TERMINOLOGY

I_{DD}

I_{DD} represents the positive supply current.

I_{SS}

I_{SS} represents the negative supply current.

V_D, V_S

V_D and V_S represent the analog voltage on Terminal D and Terminal S, respectively.

R_{ON}

R_{ON} is the ohmic resistance between Terminal D and Terminal S.

ΔR_{ON}

ΔR_{ON} represents the difference between the R_{ON} of any two channels.

$R_{FLAT(ON)}$

The difference between the maximum and minimum value of on resistance as measured over the specified analog signal range is represented by $R_{FLAT(ON)}$.

I_S (Off)

I_S (Off) is the source leakage current with the switch off.

I_D (Off)

I_D (Off) is the drain leakage current with the switch off.

I_D (On), I_S (On)

I_D (On) and I_S (On) represent the channel leakage currents with the switch on.

V_{INL}

V_{INL} is the maximum input voltage for Logic 0.

V_{INH}

V_{INH} is the minimum input voltage for Logic 1.

I_{INL}, I_{INH}

I_{INL} and I_{INH} represent the low and high input currents of the digital inputs.

C_D (Off)

C_D (Off) represents the off switch drain capacitance, which is measured with reference to ground.

C_S (Off)

C_S (Off) represents the off switch source capacitance, which is measured with reference to ground.

C_D (On), C_S (On)

C_D (On) and C_S (On) represent on switch capacitances, which are measured with reference to ground.

C_{IN}

C_{IN} represents digital input capacitance.

$t_{ON(EN)}$

$t_{ON(EN)}$ represents the delay time between the 50% and 90% points of the digital input and switch on condition. See Figure 33.

$t_{OFF(EN)}$

$t_{OFF(EN)}$ represents the delay time between the 50% and 90% points of the digital input and switch off condition. See Figure 33.

$t_{TRANSITION}$

$t_{TRANSITION}$ represents the delay time between the 50% and 90% points of the digital inputs and the switch on condition when switching from one address state to another.

t_D

t_D represents the off time measured between the 80% point of both switches when switching from one address state to another.

Off Isolation

Off isolation is a measure of unwanted signal coupling through an off channel.

Charge Injection

Charge injection is a measure of the glitch impulse transferred from the digital input to the analog output during switching.

Crosstalk

Crosstalk is a measure of unwanted signal that is coupled through from one channel to another as a result of parasitic capacitance.

Bandwidth

Bandwidth is the frequency at which the output is attenuated by 3 dB, from its dc level.

Total Harmonic Distortion + Noise (THD + N)

THD + N is the ratio of the harmonic amplitude plus noise of the signal to the fundamental.

AC Power Supply Rejection Ratio (ACPSRR)

ACPSRR measures the ability of a device to avoid coupling noise and spurious signals that appear on the supply voltage pin to the output of the switch. The dc voltage on the device is modulated by a sine wave of 0.62 V p-p. The ratio of the amplitude of signal on the output to the amplitude of the modulation is the ACPSRR. See Figure 23.

APPLICATIONS INFORMATION

The [ADG54xx](#) family of switches and multiplexers provide a robust solution for instrumentation, industrial, aerospace, and other harsh environments that are prone to latch-up, which is an undesirable high current state that can lead to device failure and persists until the power supply is turned off. The [ADG5419](#) high voltage switch allows single-supply operation from 9 V to 40 V and dual-supply operation from ± 9 V to ± 22 V. The [ADG5419](#) (as well as other select devices within this family) achieves an 8 kV human body model ESD rating, which provides a robust solution, eliminating the need for separate protection circuitry designs in some applications.

TRENCH ISOLATION

In the [ADG5419](#), an insulating oxide layer (trench) is placed between the NMOS and the PMOS transistors of each CMOS switch. Parasitic junctions, which occur between the transistors in junction-isolated switches, are eliminated, and the result is a completely latch-up immune switch.

In junction isolation, the N and P wells of the PMOS and NMOS transistors form a diode that is reverse-biased under normal operation. However, during overvoltage conditions, this diode can become forward-biased. The two transistors form a silicon-controlled rectifier (SCR) type circuit, causing a significant amplification of the current that, in turn, leads to latch-up. With trench isolation, this diode is removed, and the result is a latch-up immune switch.

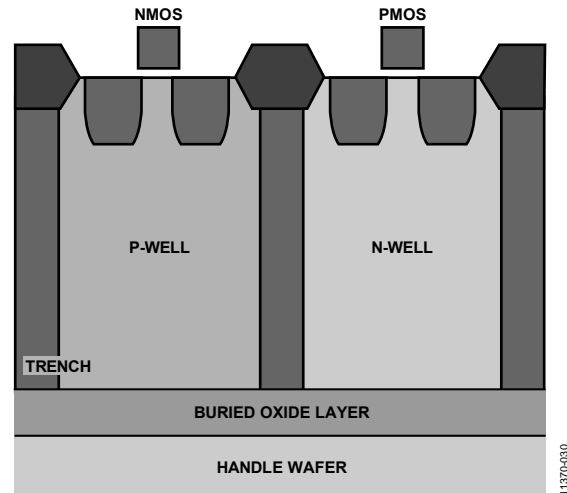


Figure 36. Trench Isolation

OUTLINE DIMENSIONS

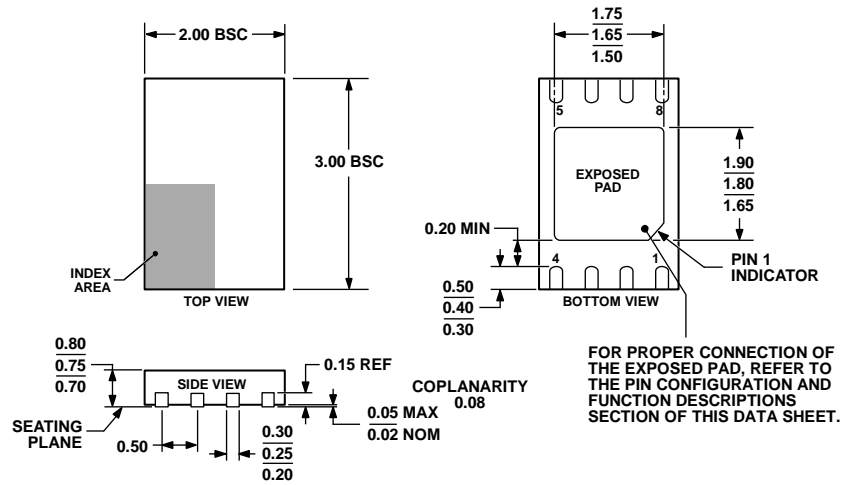
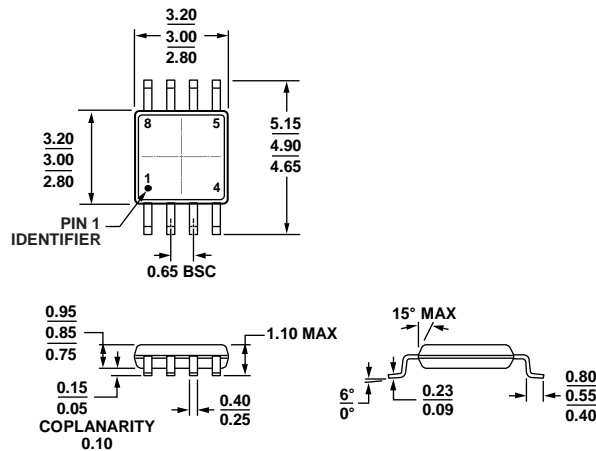


Figure 37. 8-Lead Lead Frame Chip Scale Package [LFCSP_WD]
2 mm × 3 mm Body, Very Very Thin, Dual Lead
(CP-8-4)
Dimensions shown in millimeters



COMPLIANT TO JEDEC STANDARDS MO-187-AA
Figure 38. 8-Lead Mini Small Outline Package [MSOP]
(RM-8)
Dimensions shown in millimeters

ORDERING GUIDE

| Model ¹ | Temperature Range | Package Description | Package Option | Branding |
|--------------------|-------------------|---|----------------|----------|
| ADG5419BCPZ-RL7 | -40°C to +125°C | 8-Lead Lead Frame Chip Scale Package [LFCSP_WD] | CP-8-4 | BL |
| ADG5419BRMZ | -40°C to +125°C | 8-Lead Mini Small Outline Package [MSOP] | RM-8 | S48 |
| ADG5419BRMZ-RL7 | -40°C to +125°C | 8-Lead Mini Small Outline Package [MSOP] | RM-8 | S48 |

¹ Z = RoHS Compliant Part.



Компания «ЭлектроПласт» предлагает заключение долгосрочных отношений при поставках импортных электронных компонентов на взаимовыгодных условиях!

Наши преимущества:

- Оперативные поставки широкого спектра электронных компонентов отечественного и импортного производства напрямую от производителей и с крупнейших мировых складов;
- Поставка более 17-ти миллионов наименований электронных компонентов;
- Поставка сложных, дефицитных, либо снятых с производства позиций;
- Оперативные сроки поставки под заказ (от 5 рабочих дней);
- Экспресс доставка в любую точку России;
- Техническая поддержка проекта, помощь в подборе аналогов, поставка прототипов;
- Система менеджмента качества сертифицирована по Международному стандарту ISO 9001;
- Лицензия ФСБ на осуществление работ с использованием сведений, составляющих государственную тайну;
- Поставка специализированных компонентов (Xilinx, Altera, Analog Devices, Intersil, Interpoint, Microsemi, Aeroflex, Peregrine, Syfer, Eurofarad, Texas Instrument, Miteq, Cobham, E2V, MA-COM, Hittite, Mini-Circuits, General Dynamics и др.);

Помимо этого, одним из направлений компании «ЭлектроПласт» является направление «Источники питания». Мы предлагаем Вам помощь Конструкторского отдела:

- Подбор оптимального решения, техническое обоснование при выборе компонента;
- Подбор аналогов;
- Консультации по применению компонента;
- Поставка образцов и прототипов;
- Техническая поддержка проекта;
- Защита от снятия компонента с производства.



Как с нами связаться

Телефон: 8 (812) 309 58 32 (многоканальный)

Факс: 8 (812) 320-02-42

Электронная почта: org@eplast1.ru

Адрес: 198099, г. Санкт-Петербург, ул. Калинина, дом 2, корпус 4, литера А.