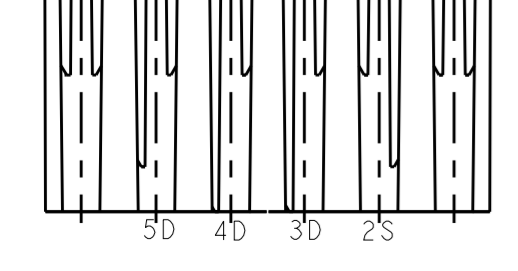
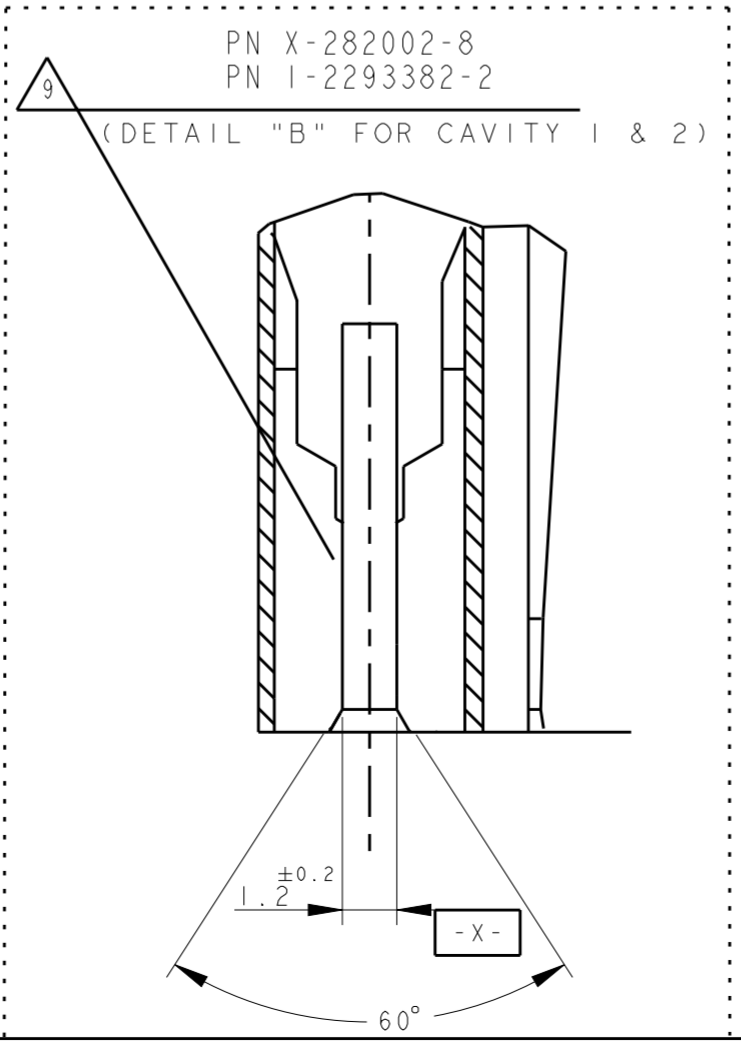
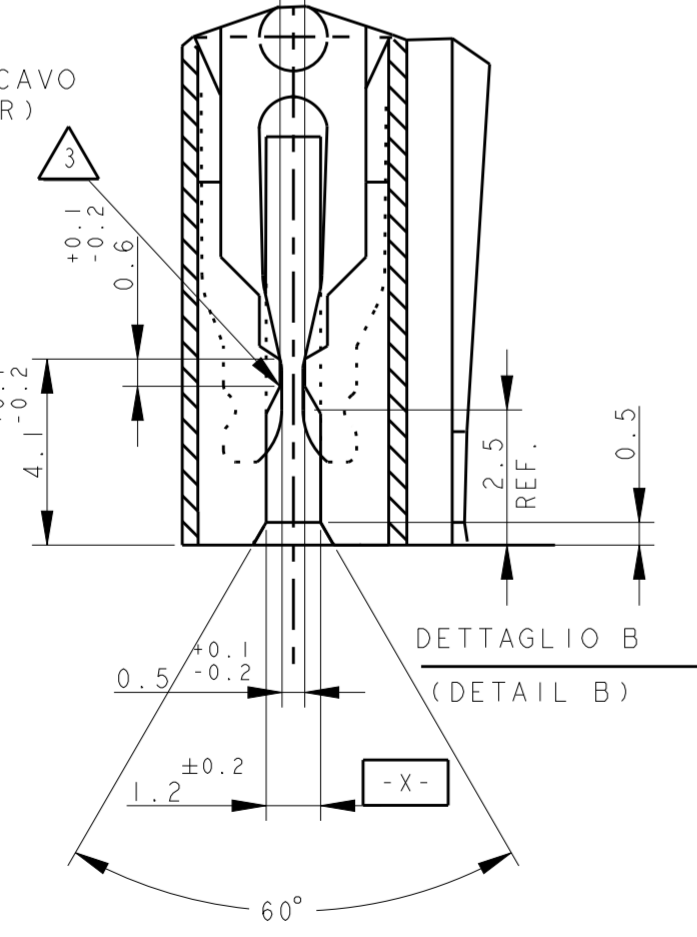
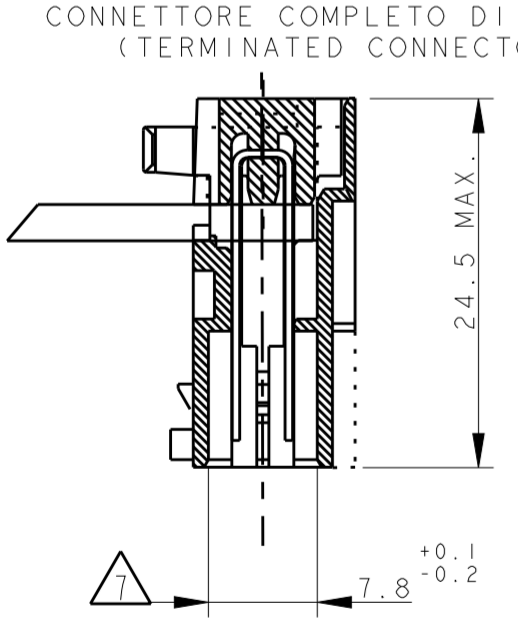
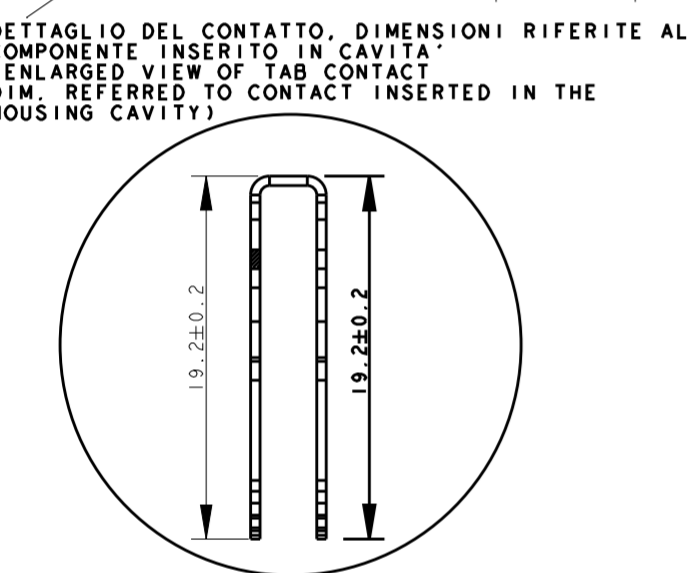
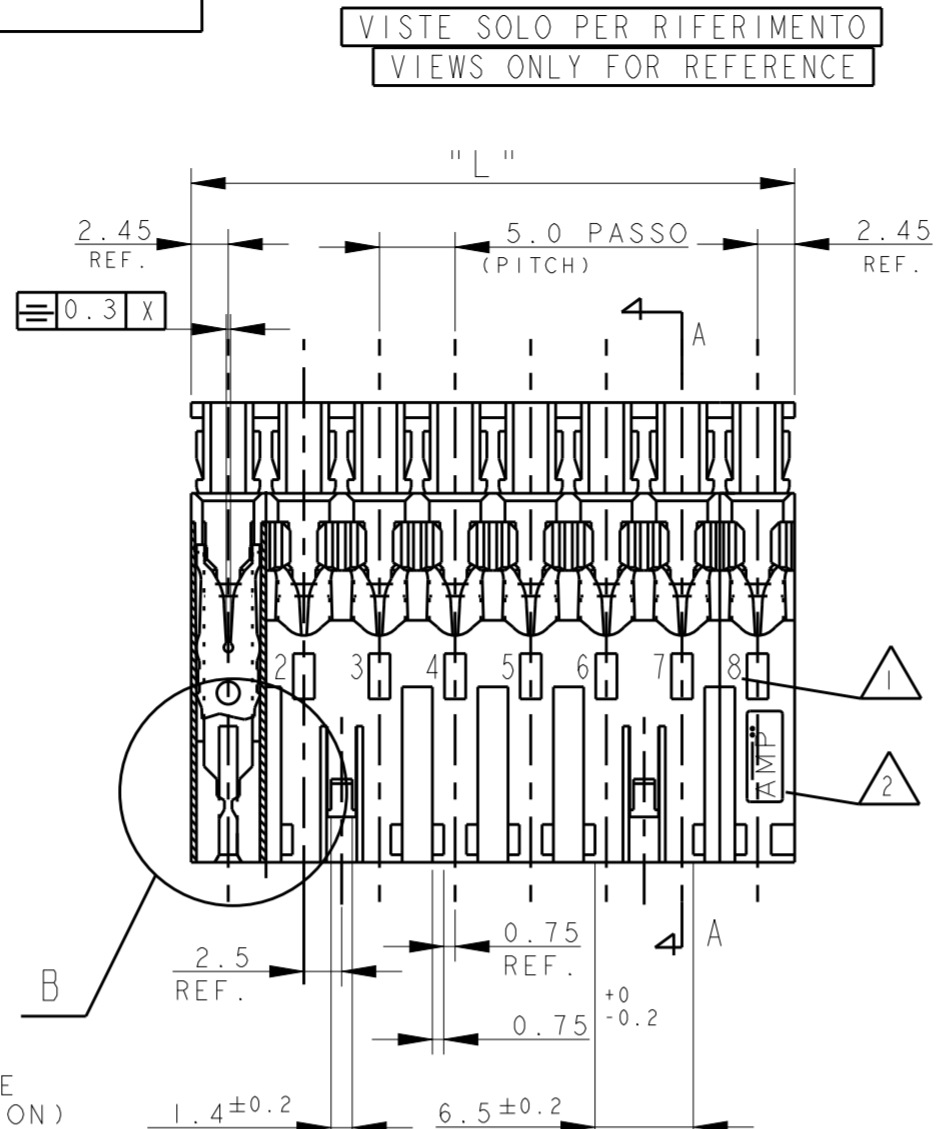
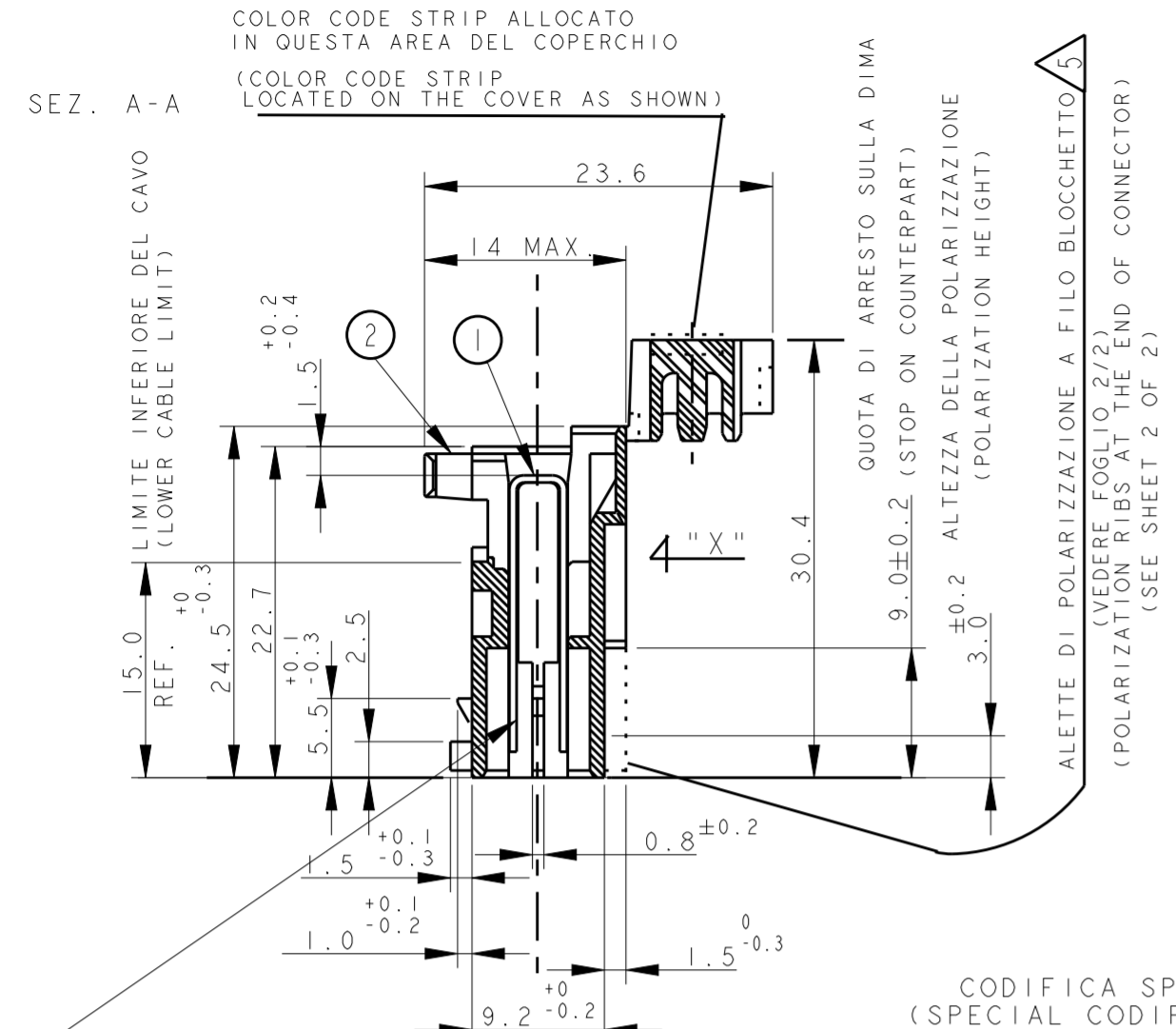


THIS DRAWING IS UNPUBLISHED. RELEASED FOR PUBLICATION  
 COPYRIGHT 2011 ALL RIGHTS RESERVED.

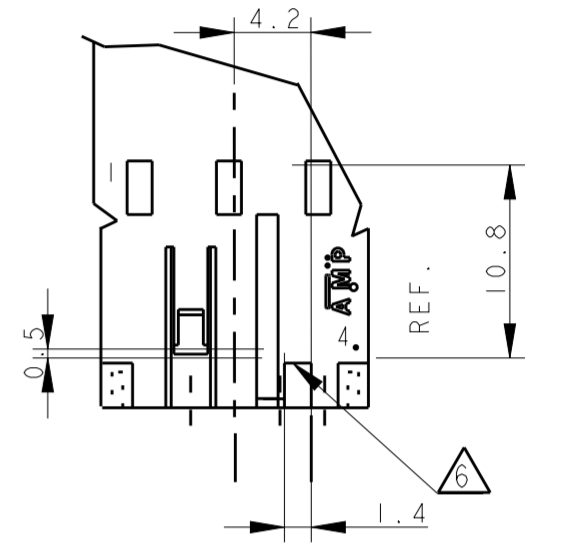
LOC		DIST		REVISIONS			
P	LTR	DESCRIPTION	DATE	DWN	APVD		
AA9	ECR-14-016167		30OCT2014	SS	LF		
AA10	ECR-15-008852		15JUN2015	KD	RR		
AA11	ECR-15-010515		14JUL2015	FL	RR		
AA12	ECR-15-011174		28JUL2015	SL	RR		



DETAIL PN/s:  
 1-282006-3  
 2-282006-3  
 3-282006-3

- NOTE/NOTES:
- 1 NUMERI DI IDENTIFICAZIONE CAVITA' (CIRCUIT IDENTIFICATION)
  - 2 MARCHIO DI FABBRICA LIBERA POSIZIONE (AMP LOGO FREE POSITION)
  - 3 RETENTION TOOTH IS REQUESTED FOR THE 2 AND 3 POS. ONLY; IT IS LOCATED ON THE CAVITY N.1 ONLY, EXCEPTION MADE FOR PN X-282002-8 AND PN 1-2293382-2 FOR THIS PN, CAVITY 1 IS WITHOUT RETENTION TOOTH AND HAS THE SAME DESIGN AS THE CAVITY N.2
  - 4 PN NON ANCORA IN PRODUZIONE (PN NOT YET RELEASED FOR PRODUCTION)
  - 5 PER QUESTI P/N LA POLARIZZAZIONE POSTERIORE DEVE INTENDERSI COMPLETA, A FINE BLOCCETTO. (per la rappresentazione vedere foglio 1/2) (FOR THE INDICATE P/N THE POLARIZATION MUST BE AT THE END OF CONNECTOR (see sheet 2 of 2.
  - 6 CODIFICA CON DIFFERENTE DIMENSIONE. (CODIFICATION WITH DIFFERENT DIMENSION).
  - 7 DIVENTA 6.5 PER LA CAVITA' N. 1 SOLO SUI CONNETTORI A 2,3,4,VIE. (BECOMES 6.5. FOR THE CAVITY N.1 ON THE 2,3,4, POS. ONLY.)
  - 8 INCLUDE LA POLARIZZAZIONE DOVE E' ESISTENTE (INCLUDING POLARIZATION KEY, WHEN EXISTING)
  - 9 DETAIL FOR PN X-282002-8 AND PN 1-2293382-2, SPECIAL VERSION, SEE ALSO NOTE 3
  - 10 P/N NON RILASCIATO PER LA PRODUZIONE (P/N NOT YET RELEASED FOR PRODUCTION)
  - 11 ---
  - 12 GEOMETRIA ALTERNATIVA DEL DENTINO DI AGGANCIAMENTO VEDI NOTA 3 PER ALTRI DETTAGLI (ALTERNATIVE SHAPE FOR RETENTION TOOTH, SEE NOTE 3 FOR ADDITIONAL DETAILS)
  - 13 STATO DI FORNITURA: CONFEZIONAMENTO IN "VASSOI + SCATOLA" (PACKAGING: "ON TRAY PLUS CARTON BOX")
  - 14 CONFEZIONAMENTO IN BOBINA OBSOLETO (PACKAGING: ON REEL OBSOLETE)
  - 15 OBSOLETE PARTS: OBSOLETE CIS STREAMLINING PER D.RENAUD/D.SINISI
  - 16 PA GF, UL-V0 GWEPT 750°C NO FLAME, NATURAL PRELIMINARY-NOT YET RELEASED FOR PRODUCTION

DETAIL FOR PN 0-282233-2 ONLY



ITEM	DENOMINAZIONE (DESCRIPTION)	FINITURA / COLORE (FINISH / COLOUR)	MATERIALE (MATERIAL)
2	BLOCCETTO (HOUSING)	NATURALE (NATURAL)	PA 6.6 CARICATO VETRO (POLIAMIDE 6.6 GLASSFIBER FILLED)
1	CONTATTO (CONTACT)	STAGNATO (TIN-PLATED)	OTTONE (BRASS)

THIS DRAWING IS A CONTROLLED DOCUMENT.

DIMENSIONS: mm

TOLERANCES UNLESS OTHERWISE SPECIFIED: 0.3

MATERIAL: SEE TABLE

FINISH: SEE TABLE

DWN: G. ENDRIZZI 23 JUL 1995  
 CHK: G. TURCO 23 JUL 1995  
 APVD: G. TURCO 23 JUL 1995

PRODUCT SPEC: 108-20065-1, 108-20065-2  
 APPLICATION SPEC: 114-20016, 114-20016-1

WEIGHT: -

Customer Drawing

SCALE: NO

SHEET 1 OF 4

REV: AA12

STE TE Connectivity

MONO-SHAPE MK1 TAB CONNECTORS 2-10 POS.

SIZE: A2  
 CAGE CODE: 0779  
 DRAWING NO: C-282002

THIS DRAWING IS UNPUBLISHED. RELEASED FOR PUBLICATION  
 © COPYRIGHT 2011 ALL RIGHTS RESERVED.

LOC	DIST	REVISIONS			
P	LTR	DESCRIPTION	DATE	DWN	APVD
-	-	SEE SHEET 1			

VISTE SOLO PER RIFERIMENTO  
 VIEWS ONLY FOR REFERENCE

NUMERO DI VIE	CONFIGURAZIONE (Vista connettore dall'alto)	TE PART NUMBER ASSY CONN.				POSIZIONE POLARIZ. (LATO POSTERIORE)	POSIZIONE AGGANCI O (LATO ANTERIORE)	POSIZIONE CODIFICA SPECIALE (LATO ANTERIORE)	L ±0.2 L -0.3 (mm)	NOTE MARCHIATURA CON BANDA COLORATA	CODICI RAST 5 RICAVABILI
		VERSIONE PEZZI IN VASSOIO	VERSIONE PEZZI SCIOLTI	POSIZIONE POLARIZ. (LATO POSTERIORE)	POSIZIONE AGGANCI O (LATO ANTERIORE)						
2		1-282002-1	V	2-282002-1	V	2S	1-2	-	9.9	NERO BLACK	02-C
2		1-282002-2	V	2-282002-2	V	1S 2D	1-2	-	9.9	GRIGIO GREY	02-B 02-E 02-F
2		1-282002-3	V	<del>2-282002-3</del>	V	2D	1-2	-	9.9	ROSSO RED	02-L
2		1-282002-4	V	<del>2-282002-4</del>	V	1D 2S	1-2	-	9.9	BLU BLUE	02-A
2		1-282002-5	V	2-282002-5	V	1D	1-2	-	9.9	NERO BLACK	02-O
2		1-282002-6	V	2-282002-6	V	-	1-2	-	9.9	NERO BLACK	-
2		1-282002-7	V	<del>2-282002-7</del>	V	-	1-2	-	9.9	-	OBSOLETE
2		1-282002-8	V	<del>2-282002-8</del>	V	1S 2D	1-2	-	9.9	VERDE GREEN	02-B 02-E 02-F
3		1-284396-1	Z	-	-	2S	2-3	-	14.9	NERO BLACK	-
3		1-282003-1	V	<del>2-282003-1</del>	V	1D	1-2	-	14.9	ARANCIO ORANGE	03-A 03-I
3		1-282003-2	V	<del>2-282003-2</del>	V	2D 3D	2-3	-	14.9	BLU BLUE	03-B
3		1-282003-3	V	<del>2-282003-3</del>	V	1S 3D	1-2	-	14.9	VERDE GREEN	03-F
3		0-282233-2	V	2-282233-2	V	1S	1-2	-	14.9	-	03-D
3		1-282003-4	V	<del>2-282003-4</del>	V	2D 3D	2-3	-	14.9	ROSSO RED	03-B
3		1-282003-5	V	2-282003-5	V	2D 3D	2-3	-	14.9	GRIGIO GREY	03-B
3		1-282003-6	V	2-282003-6	V	-	1-2	-	14.9	VIOLA VIOLET	-
3		1-282003-7	V	-	-	2D 3D	2-3	-	14.9	NERO BLACK	03-B
4		1-282004-1	V	<del>2-282004-1</del>	V	1D	1-2 3-4	2D	19.9	GRIGIO GREY	04-A
4		1-282004-2	V	2-282004-2	V	3D	2-3	-	19.9	NERO BLACK	04-D
4		1-282004-3	V	<del>2-282004-3</del>	V	1D	1-2 3-4	2D	19.9	ROSSO RED	04-A
4		1-282004-4	S	-	-	3D 4D	1-2 3-4	-	19.9	BLU BLUE	-
5		1-282005-1	V	2-282005-1	V	4D	4-5	-	24.9	ROSSO RED	-
5		1-284545-1	Z	-	-	2S	4-5	-	24.9	ROSSO RED	-
5		1-293003-5	Z	-	-	-	4-5	-	24.9	NERO BLACK	-
5		1-284545-2	A	-	-	1S 5D	-	3D	24.9	-	-
5		1-284545-3	A	-	-	1S 5D	1-2 3-4	-	24.9	BLU BLUE	-

OBSOLETE

OBSOLETE

OBSOLETE

OBSOLETE

OBSOLETE

OBSOLETE

OBSOLETE

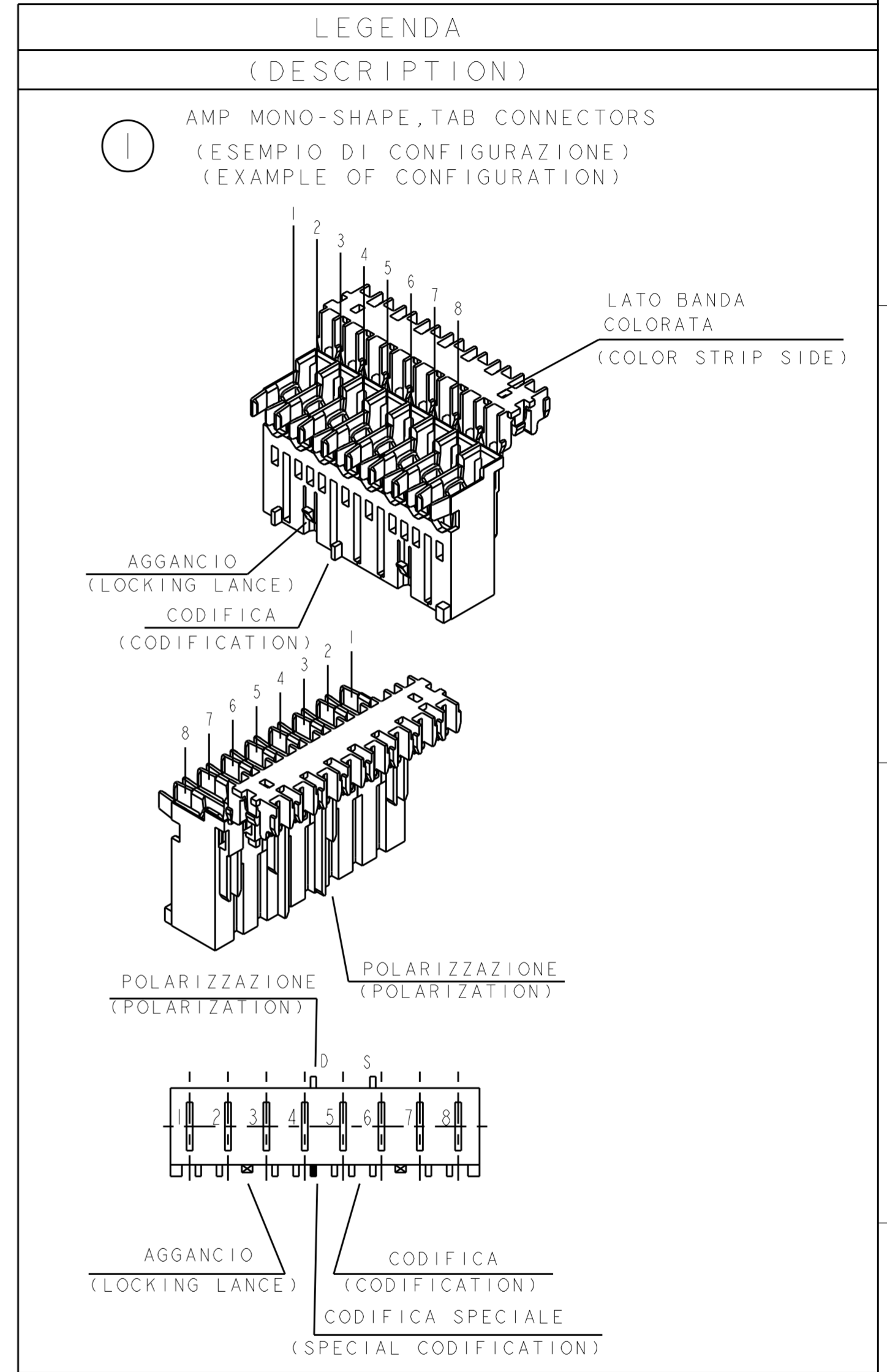
OBSOLETE

OBSOLETE

OBSOLETE

2		5-282002-2	I	-	-	1S, 2D	1-2	-	9.9	YELLOW	02-B 02-E 02-F
---	--	------------	---	---	---	--------	-----	---	-----	--------	----------------------

4		3-282004-4	I	-	-	1S, 4D	1-2 3-4	-	19.9	-	-
---	--	------------	---	---	---	--------	---------	---	------	---	---



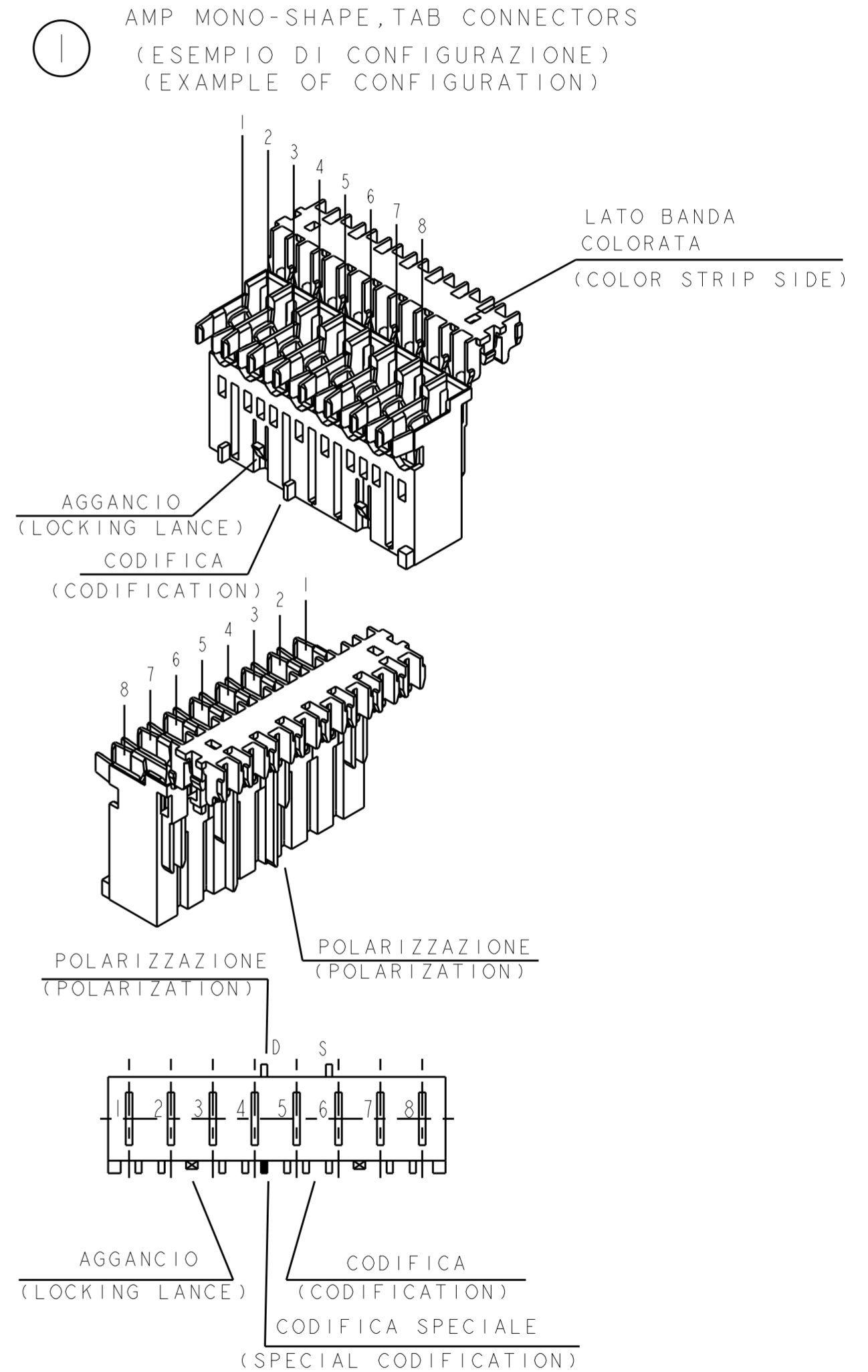
THIS DRAWING IS A CONTROLLED DOCUMENT.		DWN G. ENDRIZZI 23JUL1995	TE Connectivity MONO-SHAPE MK1 TAB CONNECTORS 2-10 POS.
DIMENSIONS: mm		CHK G. TURCO 23JUL1995	
TOLERANCES UNLESS OTHERWISE SPECIFIED:		APVD G. TURCO 23JUL1995	NAME
0 PLC ±		PRODUCT SPEC	108-20065-1, 108-20065-2
1 PLC ±		APPLICATION SPEC	114-20016, 114-20016-1
2 PLC ±		WEIGHT	-
3 PLC ±		SCALE	NO
4 PLC ±		SHEET	2 OF 4
ANGLES		REV	AA12
FINISH		CAGE CODE	A20779
SEE TABLE		DRAWING NO	G-282002
SEE TABLE		RESTRICTED TO	-
Customer Drawing		Customer Drawing	

THIS DRAWING IS UNPUBLISHED. RELEASED FOR PUBLICATION  
 © COPYRIGHT 2011 ALL RIGHTS RESERVED.

LOC	DIST	REVISIONS			
P	LTR	DESCRIPTION	DATE	DWN	APVD
-	-	SEE SHEET 1			

VISTE SOLO PER RIFERIMENTO  
 VIEWS ONLY FOR REFERENCE

LEGENDA  
 (DESCRIPTION)



NUMERO DI VIE	CONFIGURAZIONE (Vista connettore dall'alto)	TE PART NUMBER ASSY CONN.				POSIZIONE POLARIZ. (LATO POSTERIORE)	POSIZIONE AGGANCIAMENTO (LATO ANTERIORE)	POSIZIONE CODIFICA SPECIALE (LATO ANTERIORE)	L ±0.2 / -0.3 (mm)	NOTE MARCHIATURA CON BANDA COLORATA	CODICI RAST 5 RICAVABILI	OBSOLETE
		VERSIONE PEZZI IN VASSOIO	PART REV.	VERSIONE PEZZI SCIOLTI	PART REV.							
6		1-282006-2	V	<del>2-282006-2</del>	V	2S 5D	2-3	-	29.9	VIOLA VIOLET	-	OBSOLETE
6		1-282006-3	V	<del>2-282006-3</del>	V	2S 3D 4D 5D	4-5	-	29.9	-	-	OBSOLETE
6		2-282006-4	V	-	-	3D 5D	-	5S	29.9	NERO BLACK	-	
6		1-284745-1	Z	-	-	6D	4-5	-	29.9	ROSSO RED	-	
7		1-282007-1	V	<del>2-282007-1</del>	V	1D 5D	1-2 5-6	3S	34.9	-	-	OBSOLETE
7		1-284397-1	Z	-	-	2D	1-2 5-6	-	34.9	NERO BLACK	-	
7		2-293004-7	I	-	-	-	1-2 5-6	-	34.9	GRIGIO GREY	-	
7		1-293004-7	Z	-	-	-	1-2 5-6	-	34.9	ROSSO RED	-	
7		2-282007-2	V	-	-	4D 6D	-	6S	34.9	VIOLA VIOLET	-	
8		0-284085-1	V	<del>2-284085-1</del>	V	2D 6S 4D 6D	-	4S	39.9	-	-	OBSOLETE
8		0-284085-2	V	<del>2-284085-2</del>	V	-	2-3	-	39.9	VIOLA VIOLET	-	OBSOLETE
10		1-282010-1	V	2-282010-1	V	6D 8S	4-5 8-9	6S	49.9	-	-	
10		0-284004-1	V	-	-	6D 8S	4-5 8-9	6S	49.9	-	-	
6		1-284745-2	I	-	-	6D	-	4D	29.9	RED	-	
7		3-282007-2	I	-	-	-	1-2 5-6	5S	34.9	-	-	

THIS DRAWING IS A CONTROLLED DOCUMENT.		DWN G. ENDRIZZI 23 JUL 1995	 TE Connectivity	NAME	
DIMENSIONS: mm		CHK G. TURCO 23 JUL 1995		MONO-SHAPE MK1 TAB CONNECTORS 2-10 POS.	
TOLERANCES UNLESS OTHERWISE SPECIFIED:		APVD G. TURCO 23 JUL 1995		RESTRICTED TO	
0 PLC ± 1 PLC ± 2 PLC ± 3 PLC ± 4 PLC ± ANGLES ± FINISH ±		PRODUCT SPEC 108-20065-1, 108-20065-2		SIZE A2	CAGE CODE 0779
MATERIAL SEE TABLE		APPLICATION SPEC 114-20016, 114-20016-1	SCALE NO	SHEET 3 OF 4	REV AA12
SEE TABLE		WEIGHT --	Customer Drawing		

THIS DRAWING IS UNPUBLISHED. RELEASED FOR PUBLICATION  
 © COPYRIGHT 2011 ALL RIGHTS RESERVED.

LOC		DIST		REVISIONS			
P	LTR	DESCRIPTION	DATE	DWN	APVD		
-	-	SEE SHEET 1					

**16** PA GF, UL-VO GWEPT 750° C NO FLAME, NATURAL  
 -PRELIMINARY PART- NOT YET RELEASED FOR PRODUCTION-

No. of POS.	CONFIGURATION ONLY FOR REF	ON TRAY		LOOSE PIECES		SEE SHEET 1 FOR ADDITIONAL DETAILS AND NOTES					
		P/N ASS'Y	PART REV.	P/N ASS'Y	PART REV.	POLARIZ. POSITION (BACK SIDE)	LOCKING POSITION (FRONT SIDE)	SPECIAL CODIFICAT. POSITION (FRONT SIDE)	L (mm)	COLOR CODE	RAST 5 OBTAINABLE CODE
2		2293382-2	1			1S 2D	1-2	-	9.9		02-B 02-E 02-F
2		1-2293382-2	1			1S 2D	1-2	-	9.9	GREEN	02-B 02-E 02-F
2		2-2293382-2	1			-	1-2	-	9.9		-
2		3-2293382-2	1			1D 2S	1-2	-	9.9	BLU BLUE	02-A
3		2293382-3	1			2S	2-3	-	14.9		-
3		1-2293382-3	1			-	1-2	-	14.9	VIOLET	-
3		2-2293382-3	1			1D	1-2	-	14.9	ARANCIO ORANGE	03-A 03-I
4		2293382-4	2			1D	1-2 3-4	2D	19.9	GREY	04-A
4		1-2293382-4	1			1S 4D	1-2 3-4	-	19.9		-
4		2-2293382-4	1			3D 4D	1-2 3-4	-	19.9	BLU BLUE	-
5		2293382-5	1			-	4-5	-	24.9		-



THIS DRAWING IS A CONTROLLED DOCUMENT.		DWN G. ENDRIZZI 23 JUL 1995				
DIMENSIONS: mm		CHK G. TURCO 23 JUL 1995				
TOLERANCES UNLESS OTHERWISE SPECIFIED:		APVD G. TURCO 23 JUL 1995				
		NAME MONO-SHAPE MK1 TAB CONNECTORS 2-10 POS.				
MATERIAL		PRODUCT SPEC 108-20065-1, 108-20065-2	SIZE A20779	CAGE CODE C-282002	DRAWING NO G-282002	RESTRICTED TO
SEE TABLE		FINISH	WEIGHT --	SCALE NO	SHEET 4 OF 4	REV AA12



Компания «ЭлектроПласт» предлагает заключение долгосрочных отношений при поставках импортных электронных компонентов на взаимовыгодных условиях!

Наши преимущества:

- Оперативные поставки широкого спектра электронных компонентов отечественного и импортного производства напрямую от производителей и с крупнейших мировых складов;
- Поставка более 17-ти миллионов наименований электронных компонентов;
- Поставка сложных, дефицитных, либо снятых с производства позиций;
- Оперативные сроки поставки под заказ (от 5 рабочих дней);
- Экспресс доставка в любую точку России;
- Техническая поддержка проекта, помощь в подборе аналогов, поставка прототипов;
- Система менеджмента качества сертифицирована по Международному стандарту ISO 9001;
- Лицензия ФСБ на осуществление работ с использованием сведений, составляющих государственную тайну;
- Поставка специализированных компонентов (Xilinx, Altera, Analog Devices, Intersil, Interpoint, Microsemi, Aeroflex, Peregrine, Syfer, Eurofarad, Texas Instrument, Miteq, Cobham, E2V, MA-COM, Hittite, Mini-Circuits, General Dynamics и др.);

Помимо этого, одним из направлений компании «ЭлектроПласт» является направление «Источники питания». Мы предлагаем Вам помощь Конструкторского отдела:

- Подбор оптимального решения, техническое обоснование при выборе компонента;
- Подбор аналогов;
- Консультации по применению компонента;
- Поставка образцов и прототипов;
- Техническая поддержка проекта;
- Защита от снятия компонента с производства.



#### Как с нами связаться

**Телефон:** 8 (812) 309 58 32 (многоканальный)

**Факс:** 8 (812) 320-02-42

**Электронная почта:** [org@eplast1.ru](mailto:org@eplast1.ru)

**Адрес:** 198099, г. Санкт-Петербург, ул. Калинина, дом 2, корпус 4, литера А.