

### FEATURES

- Broadband frequency range: 100 MHz to 4 GHz**
- Nonreflective 50  $\Omega$  design**
- Low insertion loss: 0.7 dB at 2 GHz**
- High isolation: 43 dB at 2 GHz**
- High input linearity at 250 MHz to 4 GHz**
  - 1 dB compression (P1dB): 29 dBm typical
  - Third order intercept (IP3): 47 dBm typical
- High power handling**
  - 28.5 dBm through path
  - 25 dBm terminated path
- Single positive supply: 3 V to 5 V**
- Integrated 2 to 4 line decoder**
- 16-lead, 3 mm  $\times$  3 mm LFCSP package**
- ESD rating: 250 V (Class 1A)**

### ENHANCED PRODUCT FEATURES

- Supports defense and aerospace applications (AQEC standard)**
- Military temperature range ( $-55^{\circ}\text{C}$  to  $+125^{\circ}\text{C}$ )**
- Controlled manufacturing baseline**
- One assembly/test site**
- Product change notification**
- Qualification data available on request**

### APPLICATIONS

- Cellular/4 G infrastructure**
- Wireless infrastructure**
- Automotive telematics**
- Mobile radios**
- Test equipment**

### GENERAL DESCRIPTION

The HMC241ATCPZ-EP is a general-purpose, nonreflective, 100 MHz to 4 GHz single-pole, four-throw (SP4T) switch manufactured using a gallium arsenide (GaAs) process. This switch offers high isolation of 43 dB typical at 2 GHz, low insertion loss of 0.7 dB at 2 GHz, and on-chip termination of the isolated ports.

The on-chip circuitry allows the HMC241ATCPZ-EP to operate at a single, positive supply voltage range of 3 V to 5 V. This switch

### FUNCTIONAL BLOCK DIAGRAM

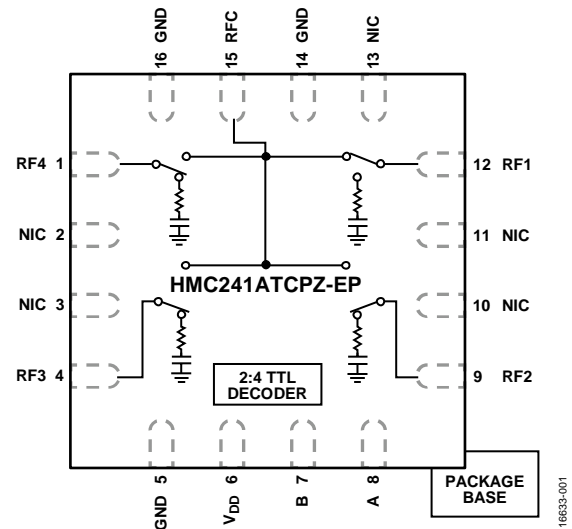


Figure 1.

requires two positive logic control voltages. The HMC241ATCPZ-EP includes an on-chip, binary two to four line decoder that provides logic control from two logic input lines to select one of the four radio frequency (RF) lines.

The HMC241ATCPZ-EP is available in a 3 mm  $\times$  3 mm, 16-lead LFCSP package. Additional application and technical information can be found in the [HMC241ALP3E](#) data sheet.

**TABLE OF CONTENTS**

Features .....	1	ESD Caution.....	4
Enhanced Product Features .....	1	Pin Configuration and Function Descriptions.....	5
Applications.....	1	Interface Schematics .....	6
Functional Block Diagram .....	1	Typical Performance Characteristics .....	7
General Description .....	1	Outline Dimensions .....	8
Revision History .....	2	Ordering Guide .....	8
Specifications.....	3		
Absolute Maximum Ratings.....	4		

**REVISION HISTORY**

3/2018—Revision 0: Initial Version

## SPECIFICATIONS

$V_{DD} = 3\text{ V}$  or  $5\text{ V}$ ,  $V_{CTRL} = 0\text{ V}$  or  $V_{DD}$ ,  $T_{CASE} = 25^\circ\text{C}$ ,  $50\ \Omega$  system, unless otherwise noted.

Table 1.

Parameter	Symbol	Test Conditions/Comments	Min	Typ	Max	Unit
FREQUENCY RANGE	f		0.1		4	GHz
INSERTION LOSS						
Between RFC and RF1 to RF4 (On)		100 MHz to 1 GHz		0.6	0.9	dB
		1 GHz to 2 GHz		0.7	1.0	dB
		2 GHz to 2.5 GHz		0.9	1.2	dB
		2.5 GHz to 4 GHz		1.2	1.5	dB
ISOLATION						
Between RFC and RF1 to RF4 (Off)		100 MHz to 1 GHz	40	45		dB
		1 GHz to 2 GHz	38	43		dB
		2 GHz to 2.5 GHz	35	41		dB
		2.5 GHz to 4 GHz	25	32		dB
RETURN LOSS						
RFC and RF1 to RF4 (On)		100 MHz to 2.5 GHz		18		dB
		2.5 GHz to 4 GHz		12		dB
RF1 to RF4 (Off)		100 MHz to 4 GHz		12		dB
SWITCHING		250 MHz to 4 GHz				
Rise and Fall Time	$t_{RISE}, t_{FALL}$	10 % to 90 % of RF output		30		ns
On and Off Time	$t_{ON}, t_{OFF}$	50 % $V_{CTL}$ to 90 % of RF output		100		ns
INPUT LINEARITY <sup>1</sup>		250 MHz to 4 GHz				
1 dB Power Compression	P1dB	$V_{DD} = 3\text{ V}$		24		dBm
		$V_{DD} = 5\text{ V}$	23	29		dBm
Third-Order Intercept	IP3	10 dBm per tone, 1 MHz spacing				
		$V_{DD} = 3\text{ V}$		50		dBm
		$V_{DD} = 5\text{ V}$		47		dBm
SUPPLY		$V_{DD}$ pin				
Voltage	$V_{DD}$		3		5	V
Current	$I_{DD}$			2.5	5	mA
DIGITAL CONTROL INPUTS		CTRLA and CTRLB pins				
Voltage	$V_{CTL}$					
Low	$V_{INL}$	$V_{DD} = 3\text{ V}$	0		0.8	V
		$V_{DD} = 5\text{ V}$	0		0.8	V
High	$V_{INH}$	$V_{DD} = 3\text{ V}$	2		3	V
		$V_{DD} = 5\text{ V}$	2		5	V
Current						
Low	$I_{INL}$			0.2		$\mu\text{A}$
High	$I_{INH}$			40		$\mu\text{A}$
OPERATING TEMPERATURE			-55		+125	$^\circ\text{C}$

<sup>1</sup> Input linearity performance degrades at frequencies less than 250 MHz.

### ABSOLUTE MAXIMUM RATINGS

For recommended operating conditions, see Table 1.

Table 2.

Parameter	Rating
Positive Supply Voltage ( $V_{DD}$ )	7 V
Digital Control Input Voltage	-0.5 V to $V_{DD} + 1$ V
RF Input Power (See Figure 2) ( $f = 100$ MHz to 4 GHz, $T_{CASE} = 85^{\circ}\text{C}$ )	
$V_{DD} = 3$ V	
Through Path	23.5 dBm
Terminated Path	20 dBm
Hot Switching	17.5 dBm
$V_{DD} = 5$ V	
Through Path	28.5 dBm
Terminated Path	23.5 dBm
Hot Switching	22.5 dBm
Junction Temperature, $T_J$	150°C
Storage Temperature Range	-65°C to +150°C
Reflow Temperature (MSL3 Rating) <sup>1</sup>	260°C
Junction to Case Thermal Resistance, $\theta_{JC}$	
Through Path	144°C/W
Terminated Path	300°C/W
Electrostatic Discharge (ESD) Sensitivity	
Human Body Model (HBM)	250 V (Class 1A)

<sup>1</sup> See the Ordering Guide section.

Stresses at or above those listed under Absolute Maximum Ratings may cause permanent damage to the product. This is a stress rating only; functional operation of the product at these or any other conditions above those indicated in the operational section of this specification is not implied. Operation beyond the maximum operating conditions for extended periods may affect product reliability.

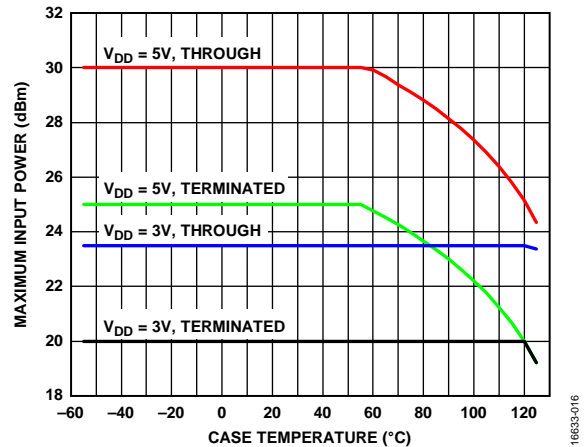


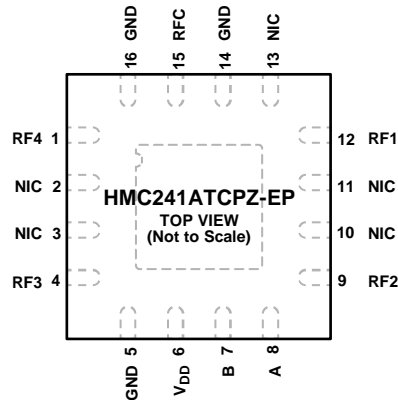
Figure 2. Maximum Input Power vs. Case Temperature

### ESD CAUTION



**ESD (electrostatic discharge) sensitive device.** Charged devices and circuit boards can discharge without detection. Although this product features patented or proprietary protection circuitry, damage may occur on devices subjected to high energy ESD. Therefore, proper ESD precautions should be taken to avoid performance degradation or loss of functionality.

## PIN CONFIGURATION AND FUNCTION DESCRIPTIONS



- NOTES**
1. NOT INTERNALLY CONNECTED. THESE PINS MUST BE CONNECTED TO PCB RF GROUND TO MAXIMIZE ISOLATION.
  2. THE EXPOSED PAD MUST BE CONNECTED TO RF/DC GROUND.

16833-003

Figure 3. Pin Configuration

Table 3. Pin Function Descriptions

Pin No.	Mnemonic	Description
1	RF4	RF Port 4. This pin is dc-coupled and matched to 50 Ω. A dc blocking capacitor is required on this pin.
2, 3, 10, 11, 13	NIC	Not Internally Connected. These pins must be connected to the printed circuit board (PCB) RF ground to maximize isolation.
4	RF3	RF Port 3. This pin is dc-coupled and matched to 50 Ω. A dc blocking capacitor is required on this pin.
5, 14, 16	GND	Ground. The package bottom has an exposed metal pad that must connect to the PCB RF/dc ground.
6	V <sub>DD</sub>	Supply Voltage.
7	B	Logic Control Input B. See Figure 5 for the control input interface schematic. See the recommended input control voltages range in Table 1 and the control voltage truth table (Table 4).
8	A	Logic Control Input A. See Figure 5 for the control input interface schematic. See the recommended input control voltages range in Table 1 and the control voltage truth table (Table 4).
9	RF2	RF Port 2. This pin is dc-coupled and matched to 50 Ω. A dc blocking capacitor is required on this pin.
12	RF1	RF Port 1. This pin is dc-coupled and matched to 50 Ω. A dc blocking capacitor is required on this pin.
15	RFC	RF Common Port. This pin is dc-coupled and matched to 50 Ω. A dc blocking capacitor is required on this pin.
	EPAD	Exposed Pad. The exposed pad must be connected to RF/dc ground.

Table 4. Control Voltage Truth Table

Digital Control Input		RF Paths			
CTRLA	CTRLB	RFC to RF1	RFC to RF2	RFC to RF3	RFC to RF4
Low	Low	Insertion loss (on)	Isolation (off)	Isolation (off)	Isolation (off)
High	Low	Isolation (off)	Insertion loss (on)	Isolation (off)	Isolation (off)
Low	High	Isolation (off)	Isolation (off)	Insertion loss (on)	Isolation (off)
High	High	Isolation (off)	Isolation (off)	Isolation (off)	Insertion loss (on)

INTERFACE SCHEMATICS

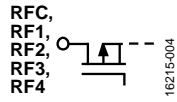


Figure 4. RFC to RF4 Interface Schematic

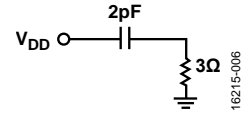


Figure 6. Supply Voltage Schematic

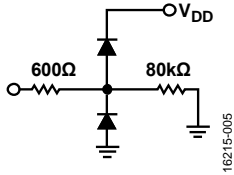


Figure 5. CTRLA and CTRLB Interface Schematic

### TYPICAL PERFORMANCE CHARACTERISTICS

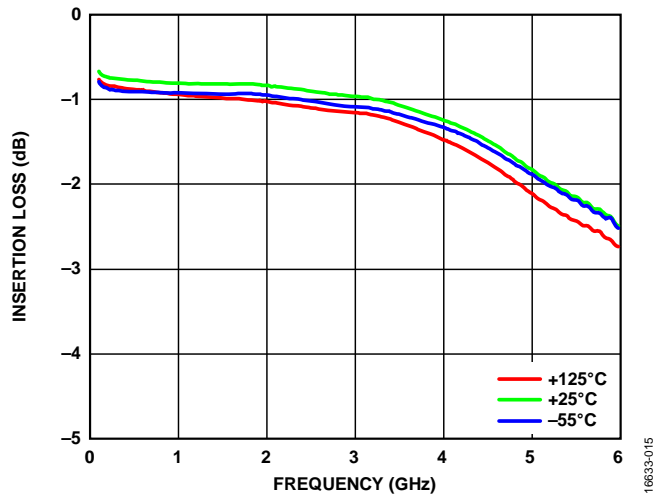
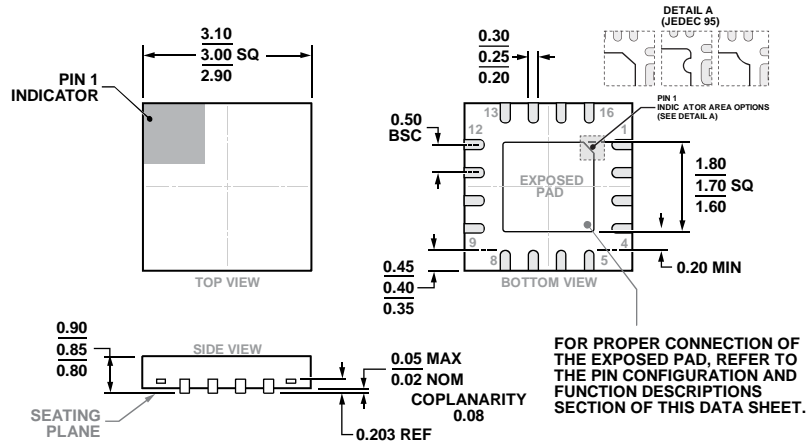


Figure 7. Insertion Loss Between RFC and RF1 vs. Frequency at Various Temperatures

OUTLINE DIMENSIONS



COMPLIANT TO JEDEC STANDARDS MO-220-VEED-4

Figure 8. 16-Terminal Lead Frame Chip Scale Package [LFCSP]  
3 mm x 3 mm Body and 0.85 mm Package Height  
(CP-16-51)  
Dimensions shown in millimeters

ORDERING GUIDE

Model <sup>1</sup>	Temperature Range	MSL Rating <sup>2</sup>	Package Description	Package Option
HMC241ATCPZ-EP-PT	-55°C to +125°C	MSL3	16-Terminal Lead Frame Chip Scale Package [LFCSP]	CP-16-51
HMC241ATCPZ-EP-R7	-55°C to +125°C	MSL3	16-Terminal Lead Frame Chip Scale Package [LFCSP]	CP-16-51

<sup>1</sup> All models are RoHS compliant.

<sup>2</sup> See the Absolute Maximum Ratings section.





Компания «ЭлектроПласт» предлагает заключение долгосрочных отношений при поставках импортных электронных компонентов на взаимовыгодных условиях!

Наши преимущества:

- Оперативные поставки широкого спектра электронных компонентов отечественного и импортного производства напрямую от производителей и с крупнейших мировых складов;
- Поставка более 17-ти миллионов наименований электронных компонентов;
- Поставка сложных, дефицитных, либо снятых с производства позиций;
- Оперативные сроки поставки под заказ (от 5 рабочих дней);
- Экспресс доставка в любую точку России;
- Техническая поддержка проекта, помощь в подборе аналогов, поставка прототипов;
- Система менеджмента качества сертифицирована по Международному стандарту ISO 9001;
- Лицензия ФСБ на осуществление работ с использованием сведений, составляющих государственную тайну;
- Поставка специализированных компонентов (Xilinx, Altera, Analog Devices, Intersil, Interpoint, Microsemi, Aeroflex, Peregrine, Syfer, Eurofarad, Texas Instrument, Miteq, Cobham, E2V, MA-COM, Hittite, Mini-Circuits, General Dynamics и др.);

Помимо этого, одним из направлений компании «ЭлектроПласт» является направление «Источники питания». Мы предлагаем Вам помощь Конструкторского отдела:

- Подбор оптимального решения, техническое обоснование при выборе компонента;
- Подбор аналогов;
- Консультации по применению компонента;
- Поставка образцов и прототипов;
- Техническая поддержка проекта;
- Защита от снятия компонента с производства.



#### Как с нами связаться

**Телефон:** 8 (812) 309 58 32 (многоканальный)

**Факс:** 8 (812) 320-02-42

**Электронная почта:** [org@eplast1.ru](mailto:org@eplast1.ru)

**Адрес:** 198099, г. Санкт-Петербург, ул. Калинина, дом 2, корпус 4, литера А.