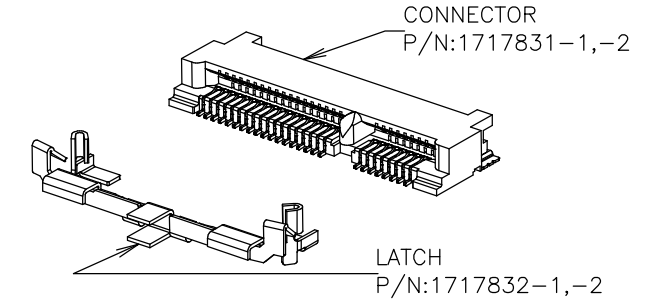
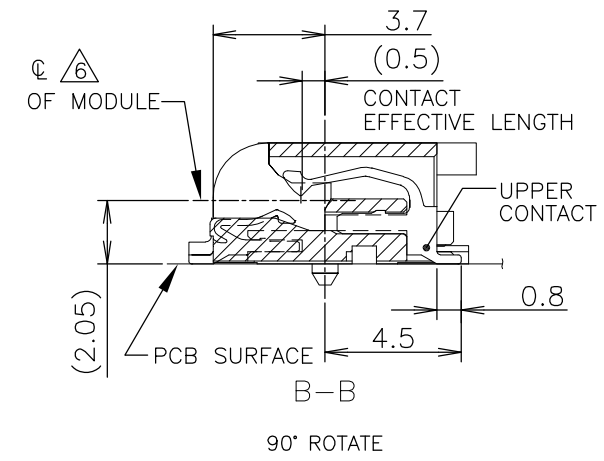


THIS DRAWING IS UNPUBLISHED. RELEASED FOR PUBLICATION OCT ,2003.  
 © COPYRIGHT 2003 By - ALL RIGHTS RESERVED.

REVISIONS					
P	LTR	DESCRIPTION	DATE	DWN	APVD
	E	RELEASED PER ECR-16-010328	19JUL2016	S.W	C.W

NOTE  
 1. MATERIAL : HOUSING : HIGH TEMPERATURE THERMO PLASTIC UL94V-0  
 COLOR: BLACK  
 CONTACT : COPPER ALLOY  
 SOLDER PEG : COPPER ALLOY  
 2. FINISH : CONTACT : GOLD FLASH ON CONTACT AREA, ALL OVER NICKEL.  
 SOLDER PEG : TIN PLATE, ALL OVER NICKEL  
 3. TOLERANCES NON-CUMMURATIVE  
 4. -D- IS THE TOP SURFACE OF PCB.  
 5. COMPONENT KEEP OUT AREA BASED ON MINI PCI EXPRESS SPECIFICATION  
 1.0 CANDIDATE DRAFT (v1)  
 6. THE FLOATING VALUE BY SOLDERING IS NOT INCLUDED.

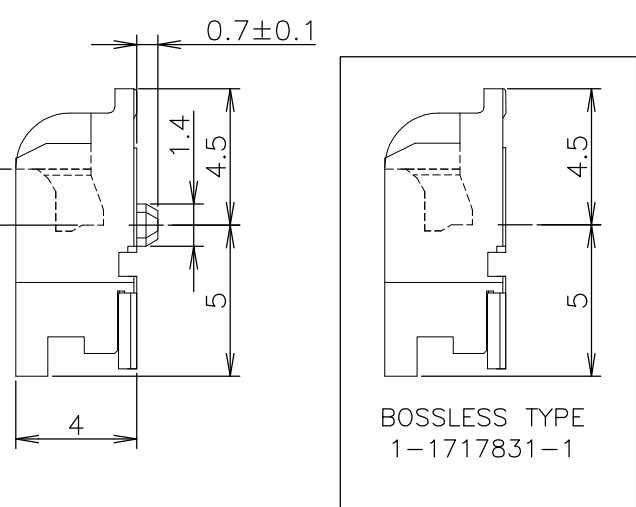
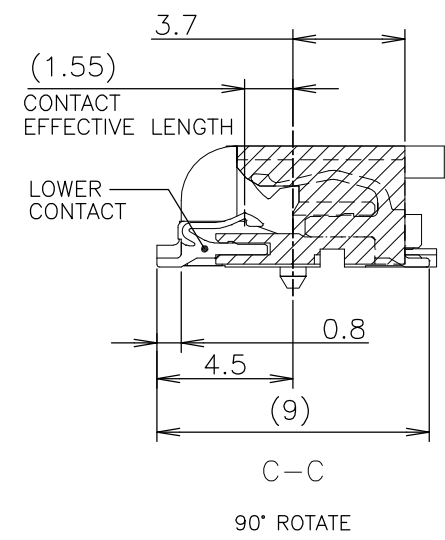


PCI-E MINI CARD CONNECTOR  
 SIGNAL ASSIGNMENTS

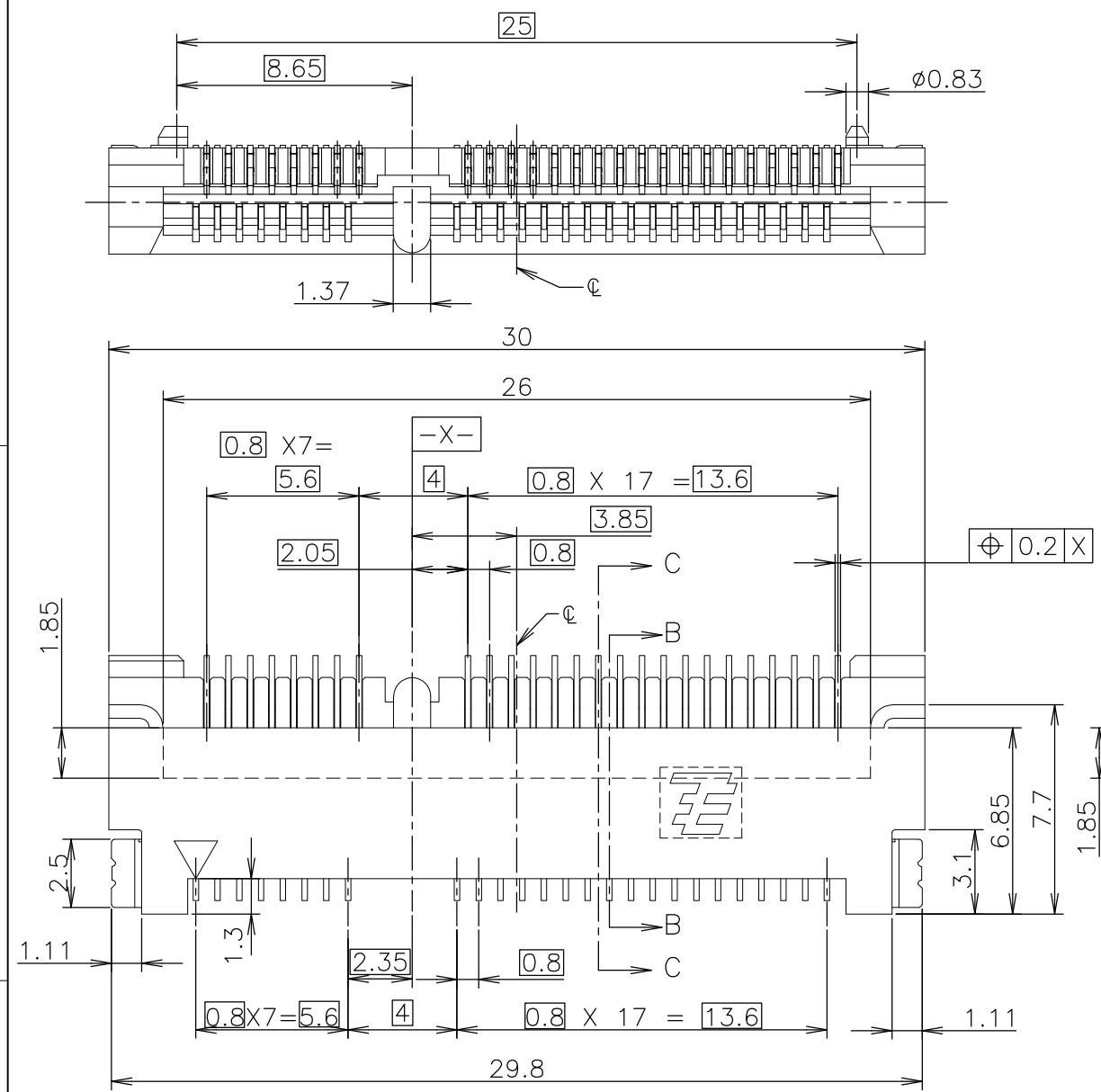
PIN#	NAME	PIN#	NAME
51	Reserved	52	+3.3Vaux
49	Reserved	50	GND
47	Reserved	48	+1.5V
45	Reserved	46	LED_WPAN#
43	GND	44	LED_WLAN#
41	+3.3Vaux	42	LED_WWAN#
39	+3.3Vaux	40	GND
37	GND	38	USB_D+
35	GND	36	USB_D-
33	PETp0	34	GND
31	PETn0	32	SMB_DATA
29	GND	30	SMB_CLK
27	GND	28	+1.5V
25	PERp0	26	GND
23	PERn0	24	+3.3Vaux
21	GND	22	PERST#
19	Reserved* (UIM_C4)	20	W_DISABLE#
17	Reserved* (UIM_C8)	18	GND
MECHANICAL KEY			
15	GND	16	UIM_VPP
13	REFCLK+	14	UIM_RESET
11	REFCLK-	12	UIM_CLK
9	GND	10	UIM_DATA
7	CLKREQ#	8	UIM_PWR
5	COEX2	6	1.5V
3	COEX1	4	GND
1	WAKE#	2	3.3Vaux

mSATA CONNECTOR  
 SIGNAL ASSIGNMENTS

PIN#	NAME	PIN#	NAME
51	Presence Detection	52	+3.3V
49	DA/DSS	50	GND
47	Vendor	48	+1.5V
45	Vendor	46	Reserved
43	No Connect	44	Reserved
41	+3.3V	42	Reserved
39	+3.3V	40	GND
37	GND	38	Reserved
35	GND	36	Reserved
33	+A	34	GND
31	-A	32	Two Wire Interface
29	GND	30	Two Wire Interface
27	GND	28	+1.5V
25	-B	26	GND
23	+B	24	+3.3V
21	GND	22	Reserved
19	Reserved	20	Reserved
17	Reserved	18	GND
MECHANICAL KEY			
15	GND	16	Reserved
13	Reserved	14	Reserved
11	Reserved	12	Reserved
9	GND	10	Reserved
7	Reserved	8	Reserved
5	Reserved	6	+1.5V
3	Reserved	4	GND
1	Reserved	2	+3.3V



BOSSLSS TYPE  
 1-1717831-1

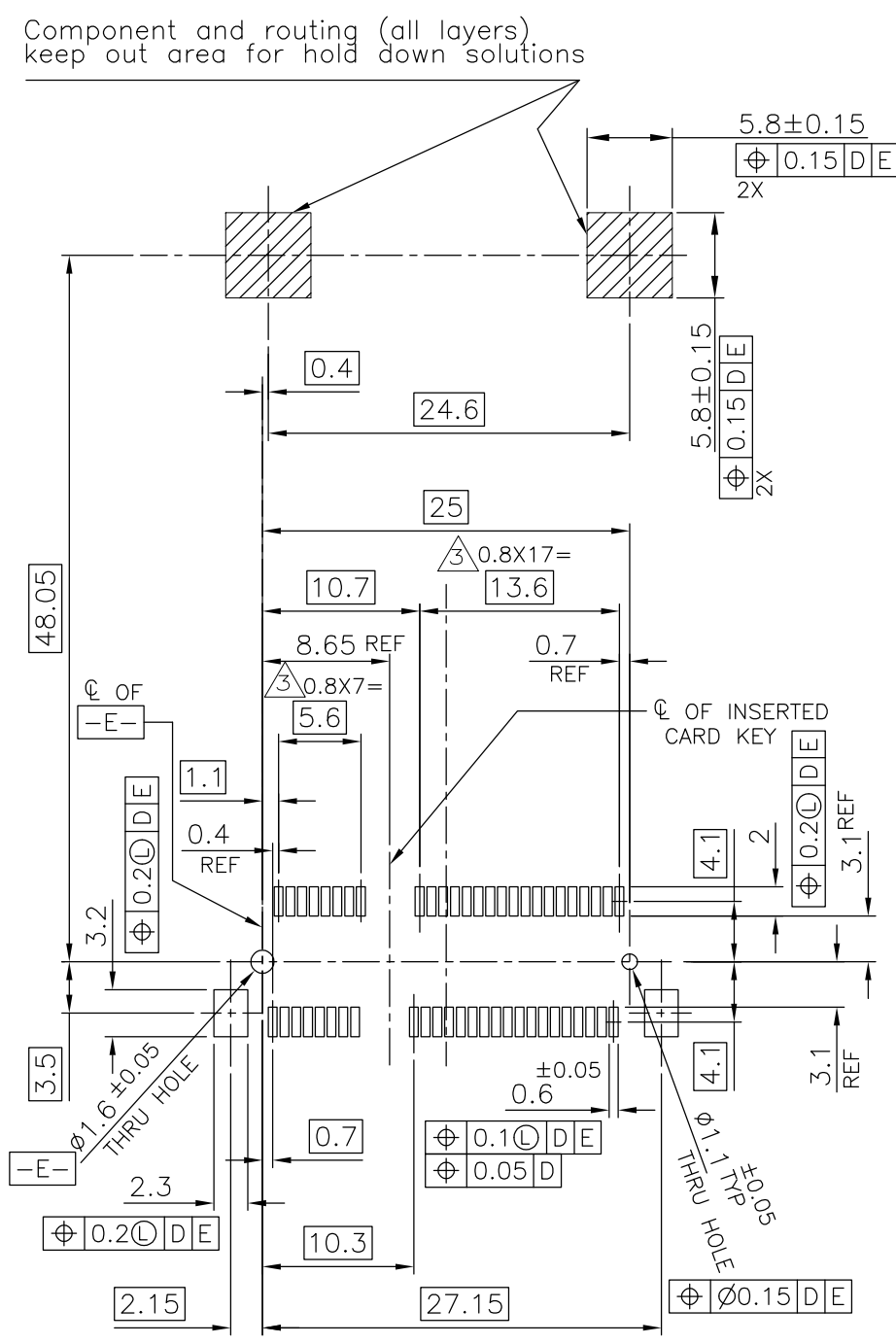


TOLERANCES UNLESS OTHERWISE SPECIFIED  
 10 ≥ : ±0.2  
 30 ≥ >10: ±0.25  
 100 ≥ >10: ±0.3  
 ANGLES : ±3°

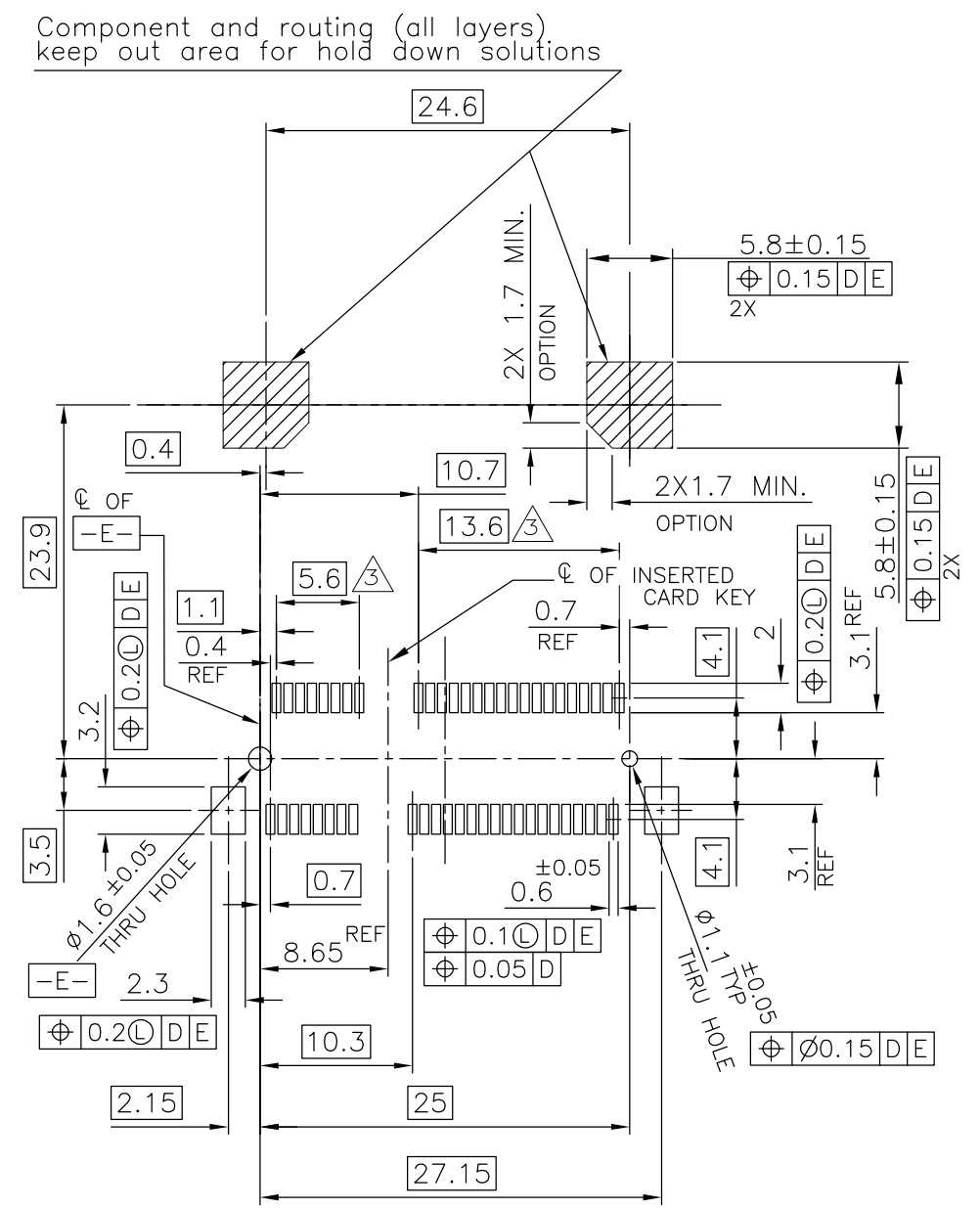
THIS DRAWING IS A CONTROLLED DOCUMENT.		DWN J.TANIGAWA 100CT03	 TE Connectivity SEMI HARD TRAY & EMBOSS TAPE SUPPLY 2 IN 1 mSATA AND MINI PCI EXPRESS MINI CARD CONNECTOR 4mm HEIGHT
DIMENSIONS: MM		CHK Y.YAMAMOTO 100CT03	
TOLERANCES UNLESS OTHERWISE SPECIFIED:		APVD Y.YAMAMOTO 100CT03	
0 PLC ± - 1 PLC ± - 2 PLC ± - 3 PLC ± - 4 PLC ± - ANGLES ± - FINISH ± -		NAME	
MATERIAL SEE NOTE		PRODUCT SPEC 108-5899	SIZE
		APPLICATION SPEC	CAGE CODE A300779
		WEIGHT 1.2g	DRAWING NO C-1717831
		CUSTOMER DRAWING	RESTRICTED TO
		SCALE 4:1	SHEET 1 OF 7
			REV E

THIS DRAWING IS UNPUBLISHED. RELEASED FOR PUBLICATION OCT. 2003.  
 © COPYRIGHT 2003 By - ALL RIGHTS RESERVED.


REVISIONS					
P	LTR	DESCRIPTION	DATE	DWN	APVD
-	-	SEE SHEET 1	-	-	-



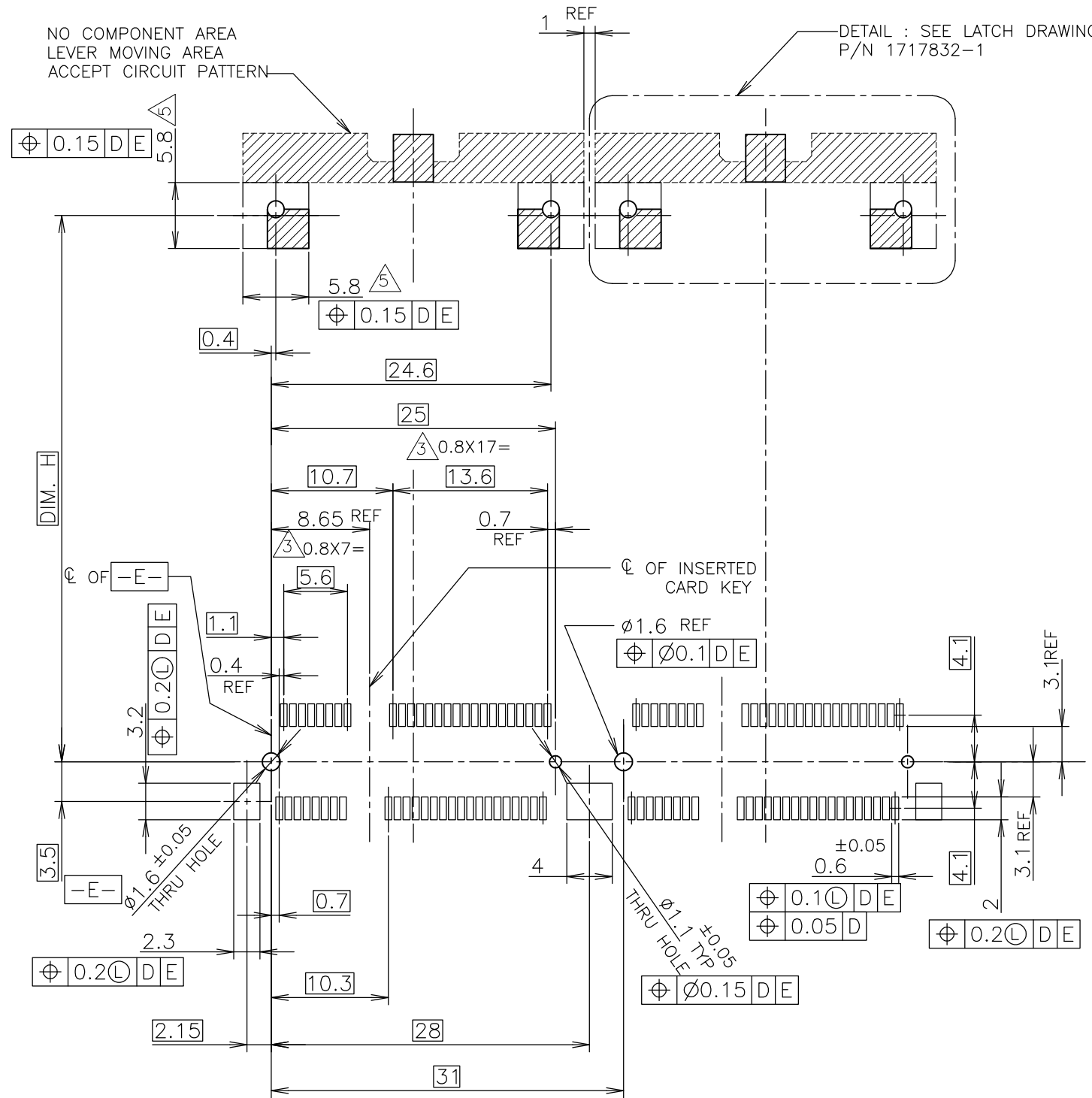
REFERENTIAL P.C.BOARD LAYOUT FOR FULL CARD CONNECTOR



REFERENTIAL P.C.BOARD LAYOUT FOR HALF CARD CONNECTOR

THIS DRAWING IS A CONTROLLED DOCUMENT.		DWN	 TE Connectivity			
DIMENSIONS: MM		CHK				
TOLERANCES UNLESS OTHERWISE SPECIFIED:		APVD	NAME			
0 PLC ± - 1 PLC ± - 2 PLC ± - 3 PLC ± - 4 PLC ± - ANGLES ± - FINISH ± -		PRODUCT SPEC	SEMI HARD TRAY & EMBOSS TAPE SUPPLY 2 IN 1 mSATA AND MINI PCI EXPRESS MINI CARD CONNECTOR 4mm HEIGHT			
MATERIAL		APPLICATION SPEC	SIZE	CAGE CODE	DRAWING NO	RESTRICTED TO
		WEIGHT	A3	00779	C-1717831	-
CUSTOMER DRAWING			SCALE	SHEET	REV	
			2:1	2 OF 7	E	

P	LTR	DESCRIPTION	DATE	DWN	APVD
-	-	SEE SHEET 1	-	-	-

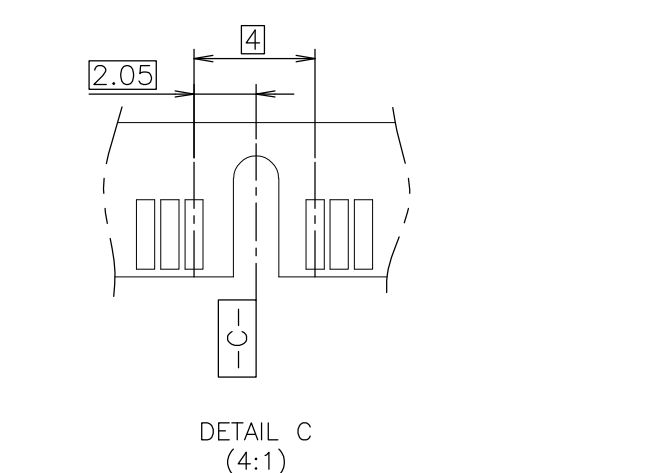
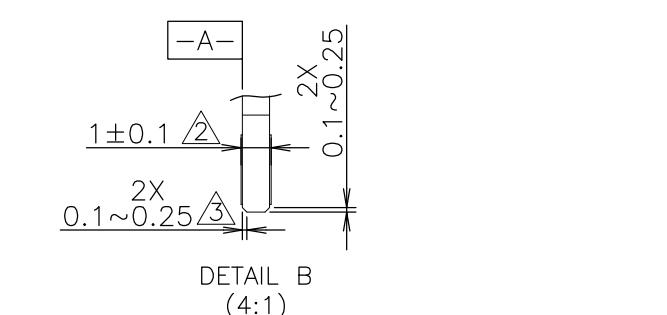
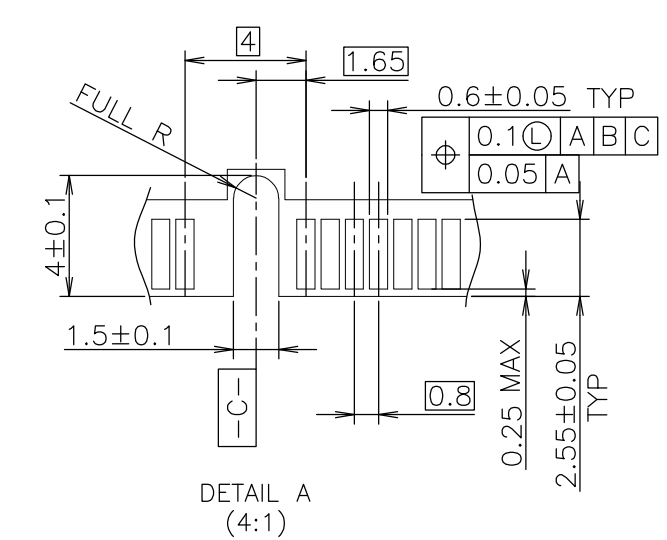
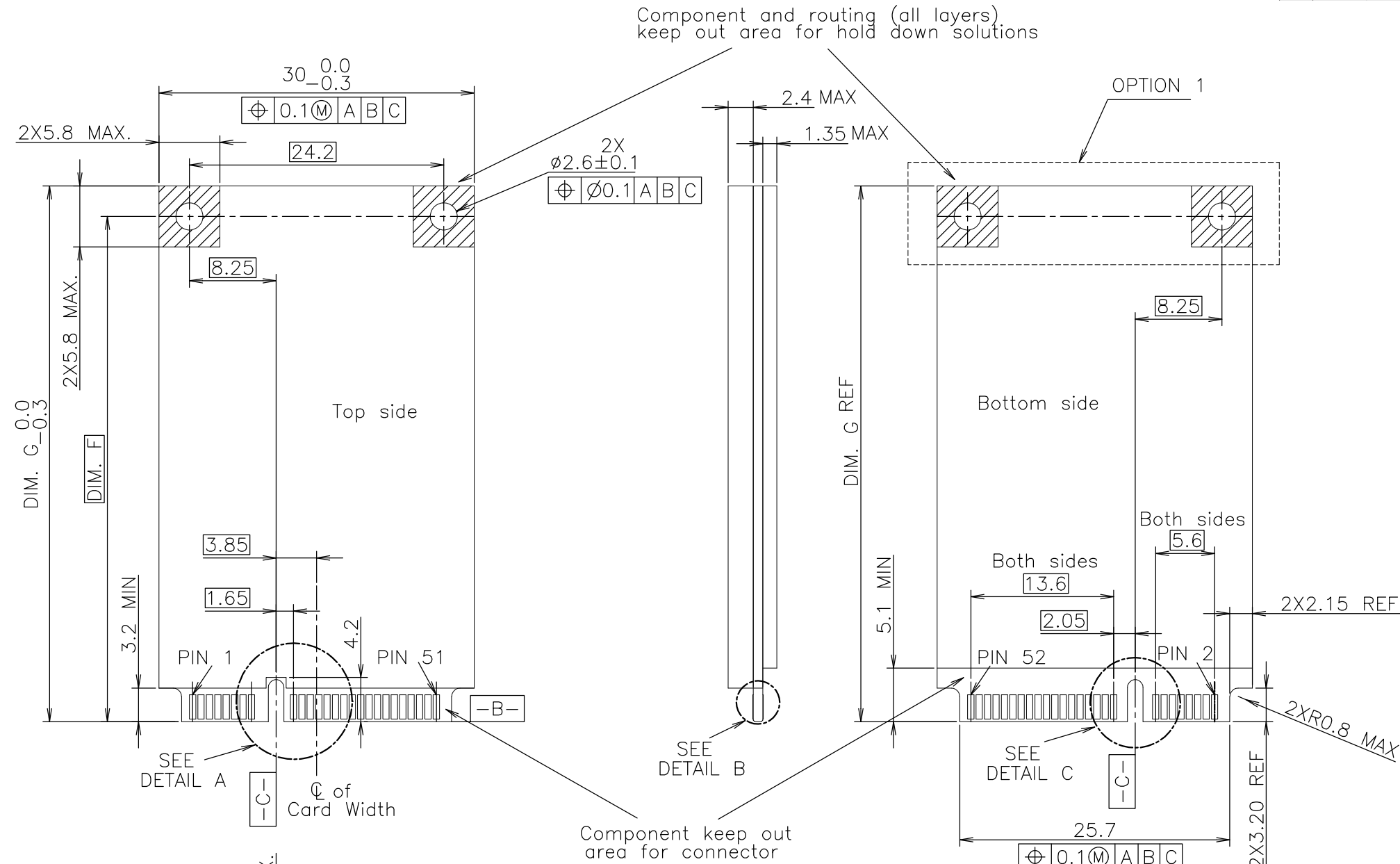


RECOMMENDED P.C.BOARD PATTERN LAYOUT FOR FULL CARD & SIDE BY SIDE MOUNT

DIM. H	
48.05	FULL-MINI CARD
23.9	HALF-MINI CARD

THIS DRAWING IS A CONTROLLED DOCUMENT.		DWN		<b>STE</b> TE Connectivity	
DIMENSIONS: MM		CHK			
TOLERANCES UNLESS OTHERWISE SPECIFIED:		APVD		NAME	
0 PLC ± -		PRODUCT SPEC		SEMI HARD TRAY & EMBOSS TAPE SUPPLY	
1 PLC ± -		APPLICATION SPEC		2 IN 1 mSATA AND MINI PCI EXPRESS MINI CARD	
2 PLC ± -		WEIGHT		CONNECTOR 4mm HEIGHT	
3 PLC ± -		SIZE		CAGE CODE	
4 PLC ± -		DRAWING NO		RESTRICTED TO	
ANGLES ± -		A300779		G-1717831	
FINISH		CUSTOMER DRAWING		SCALE 2:1	
		SHEET 3 OF 7		REV E	

P	LTR	DESCRIPTION	DATE	DWN	APVD
-	-	SEE SHEET 1	-	-	-



RECOMMENDED MATING P.C.B CONFIGURATION FOR PCI EXPRESS MINI CARD

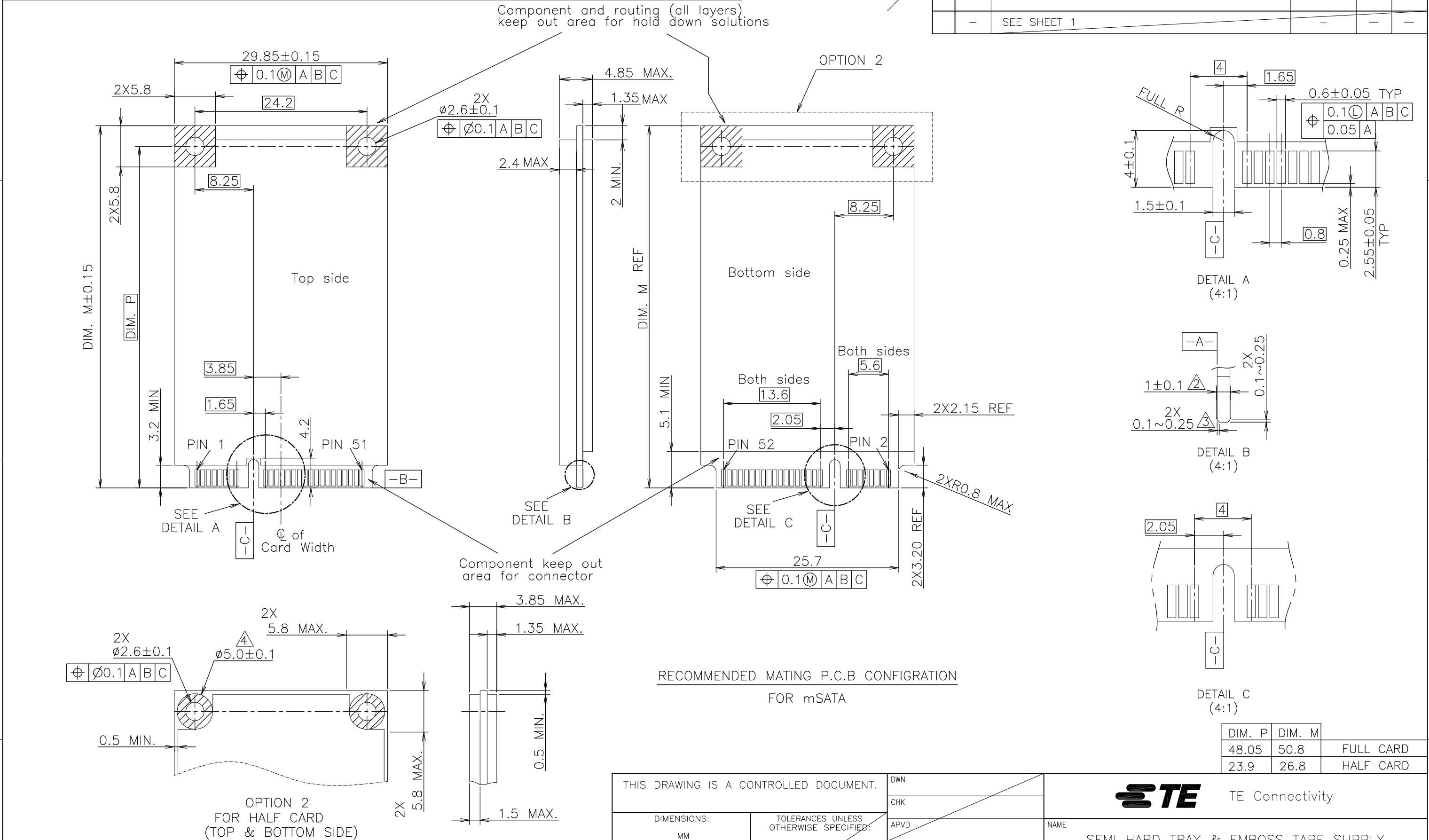
DIM. F	DIM. G	
48.05	50.95	FULL-MINI CARD
23.9	26.8	HALF-MINI CARD

- NOTES
- 1.PCI EXPRESS MINI CARD,PCB THICKNESS 1.0mm.
  - 2.CARD THICKNESS APPLIES ACROSS TABS AND INCLUDES PLATING AND/OR METALIZATION.
  - 3.BEVEL MUST BE FREE OF CUTTING BURRS.

OPTION 1 FOR HALF-MINI CARD (TOP & BOTTOM SIDE)

THIS DRAWING IS A CONTROLLED DOCUMENT.		DWN		TE Connectivity	
DIMENSIONS: MM		CHK			
TOLERANCES UNLESS OTHERWISE SPECIFIED:		APVD			
0 PLC ± - 1 PLC ± - 2 PLC ± - 3 PLC ± - 4 PLC ± - ANGLES ± - FINISH ± -		PRODUCT SPEC			
MATERIAL		WEIGHT		NAME	
		CUSTOMER DRAWING		SEMI HARD TRAY & EMBOSS TAPE SUPPLY	
				2 IN 1 mSATA AND MINI PCI EXPRESS MINI CARD	
				CONNECTOR 4mm HEIGHT	
		SIZE	CAGE CODE	DRAWING NO	RESTRICTED TO
		A3	00779	C-1717831	-
		SCALE	SHEET	REV	
		2:1	4 OF 7	E	

REVISIONS					
P	LTR	DESCRIPTION	DATE	DWN	APVD
-	-	SEE SHEET 1	-	-	-



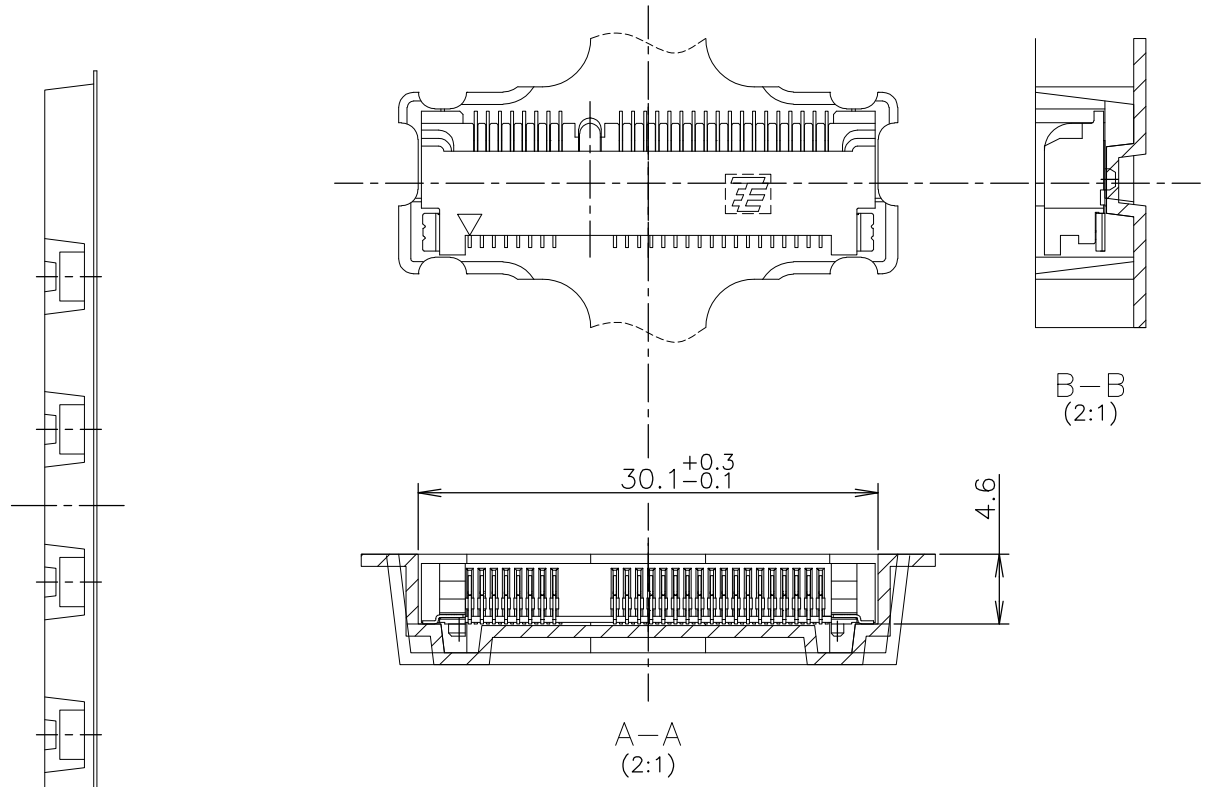
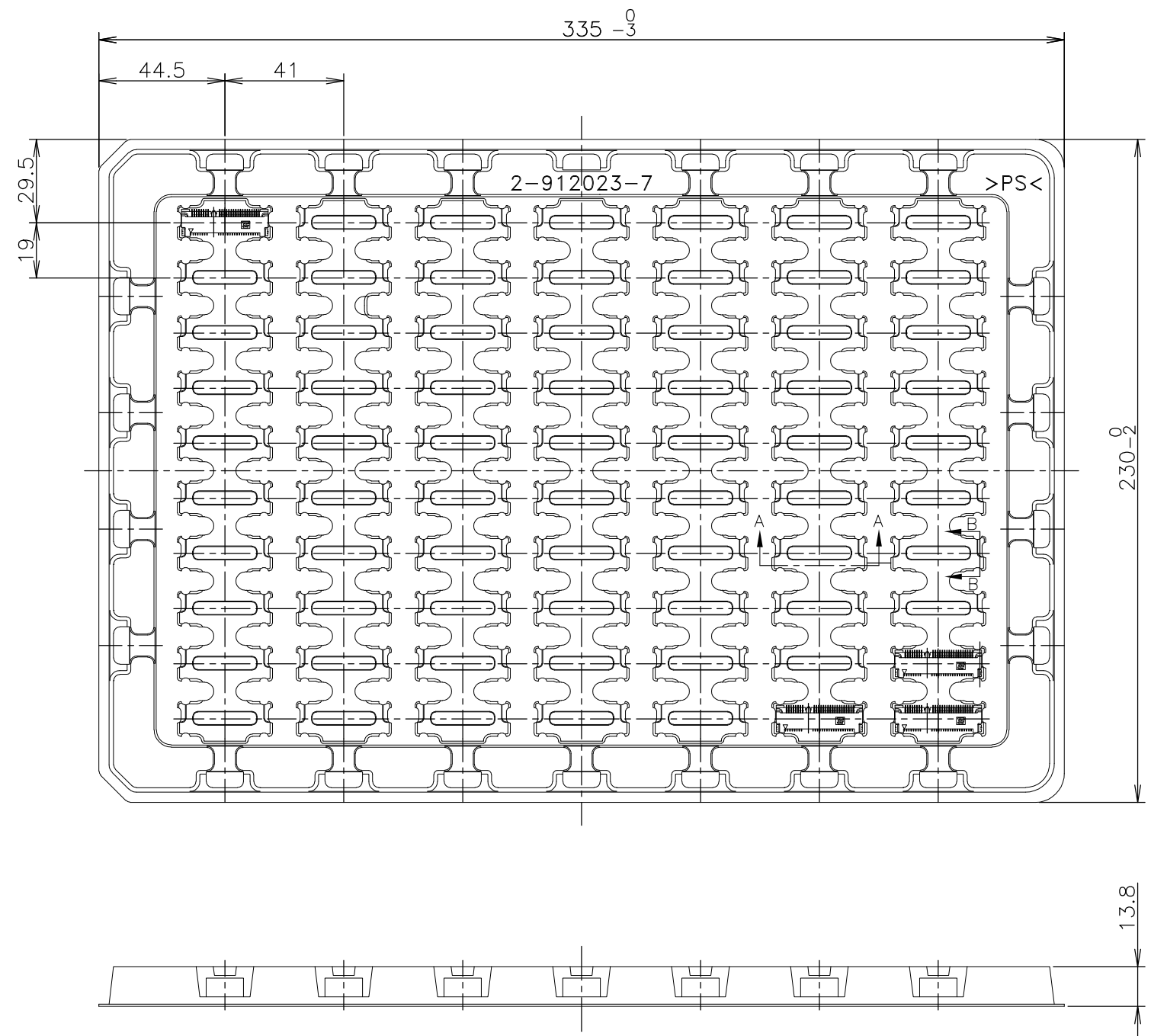
NOTES

- 1.mSATA CARD,PCB THICKNESS 1.0mm.
- CARD THICKNESS APPLIES ACROSS TABS AND INCLUDES PLATING AND/OR METALIZATION.
- BEVEL MUST BE FREE OF CUTTING BURRS.
- COMPONENT AND ROUTING (TOP/BOTTOM LAYER) KEEP OUT AREA FOR HOLD DOWN SOLUTIONS.

THIS DRAWING IS A CONTROLLED DOCUMENT.		DWN	TE Connectivity					
DIMENSIONS: MM		CHK				NAME		
TOLERANCES UNLESS OTHERWISE SPECIFIED: 0 PLC ± - 1 PLC ± - 2 PLC ± - 3 PLC ± - 4 PLC ± - ANGLES ± - MATERIAL FINISH ± -		APVD				SEMI HARD TRAY & EMBOSS TAPE SUPPLY 2 IN 1 mSATA AND MINI PCI EXPRESS MINI CARD CONNECTOR 4mm HEIGHT		
		PRODUCT SPEC				SIZE	CAGE CODE	DRAWING NO
MATERIAL		APPL. SPEC	A3	00779	C-1717831	-		
		WEIGHT	CUSTOMER DRAWING		SCALE 2:1	SHEET 5 OF 7	REV E	

THIS DRAWING IS UNPUBLISHED. RELEASED FOR PUBLICATION OCT , 2003.  
 © COPYRIGHT 2003 By - ALL RIGHTS RESERVED.

REVISIONS					
P	LTR	DESCRIPTION	DATE	DWN	APVD
-	-	SEE SHEET 1	-	-	-



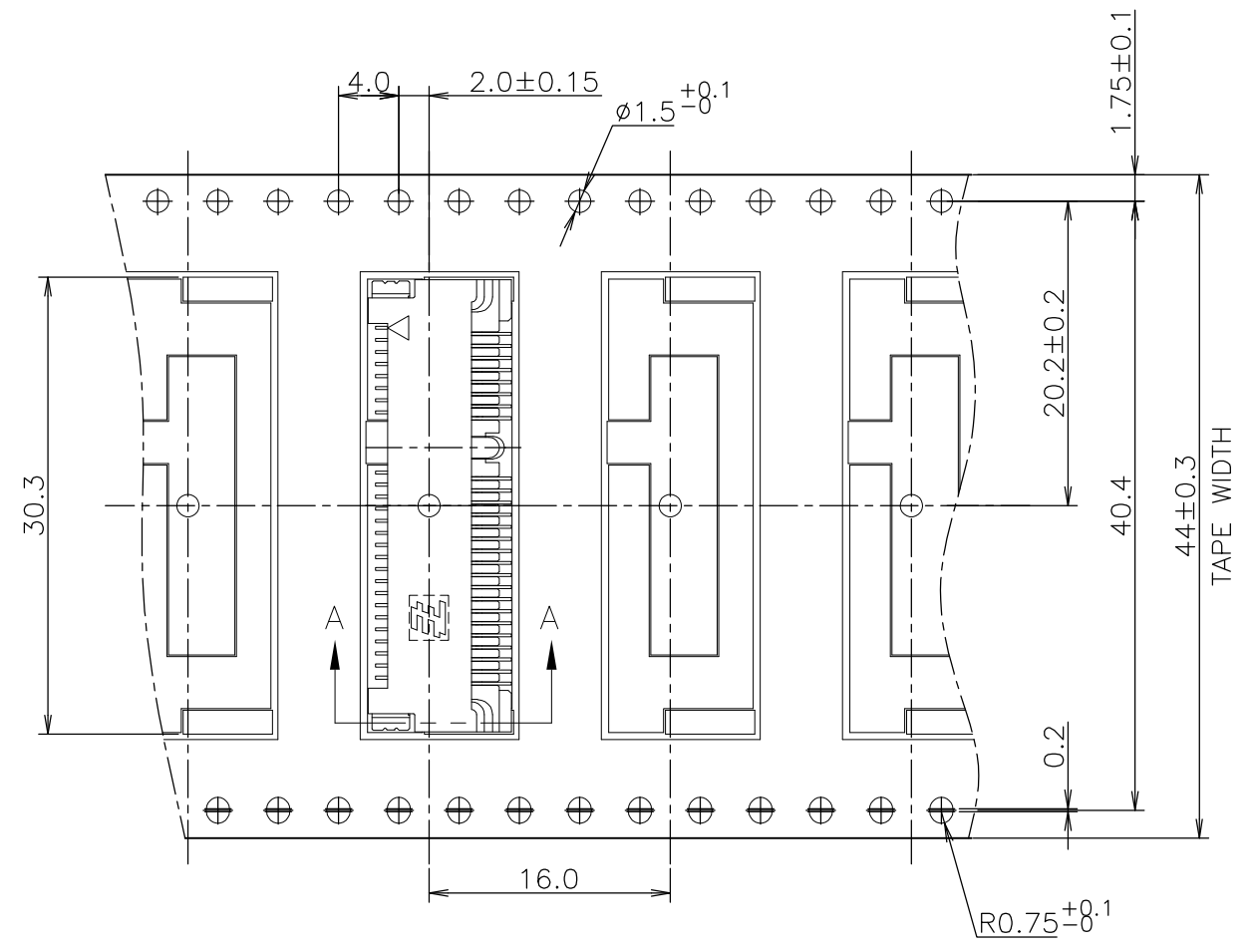
NOTE  
 1. THE DIRECTION OF EACH CONNECTOR ON A TRAY IS REFERRED TO THIS DWG.

BOSSLESS	70EA/TRAY	2-912023-7	1-1717831-1
//	70EA/TRAY	2-912023-7	1717831-1
REMARK	QTY	TRAY P/N	P/N

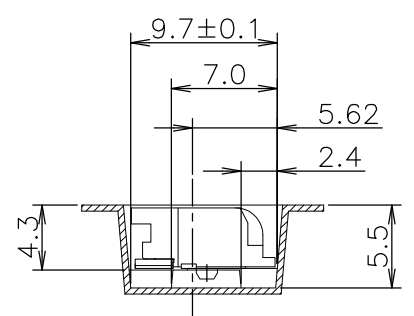
THIS DRAWING IS A CONTROLLED DOCUMENT.		DWN	<b>STE</b> TE Connectivity		
DIMENSIONS: MM		CHK			
TOLERANCES UNLESS OTHERWISE SPECIFIED:		APVD	NAME		
0 PLC ± -		PRODUCT SPEC	SEMI HARD TRAY & EMBOSS TAPE SUPPLY		
1 PLC ± -		108-5899	2 IN 1 mSATA AND MINI PCI EXPRESS MINI CARD		
2 PLC ± -		APPLICATION SPEC	CONNECTOR 4mm HEIGHT		
3 PLC ± -		WEIGHT	SIZE	CAGE CODE	DRAWING NO
4 PLC ± -		CUSTOMER DRAWING	A3	00779	C-1717831
ANGLES ± -			SCALE	SHEET	REV
FINISH ± -			NTS	6 OF 7	E
TOLERANCES UNLESS OTHERWISE SPECIFIED ±0.5					

THIS DRAWING IS UNPUBLISHED. RELEASED FOR PUBLICATION OCT , 2003.  
 © COPYRIGHT 2003 By - ALL RIGHTS RESERVED.

REVISIONS					
P	LTR	DESCRIPTION	DATE	DWN	APVD
-	-	SEE SHEET 1	-	-	-

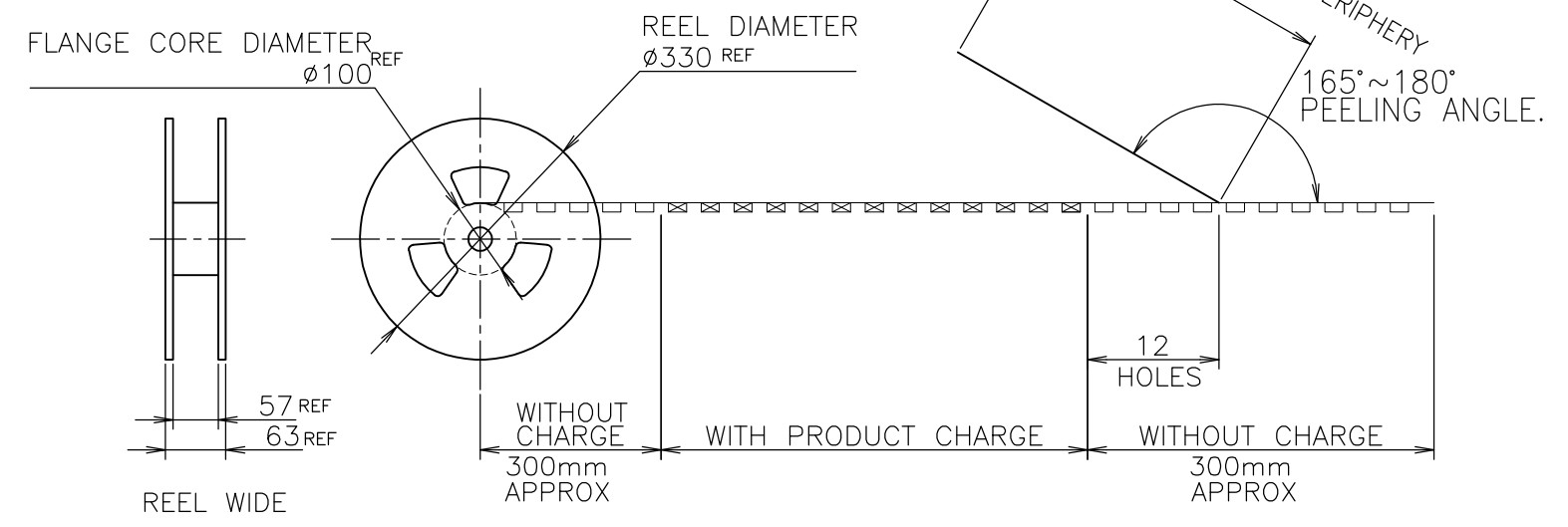


NOTE 1. PEELING RESISTANCE : 0.1N~1.3N  
 (10gf~130gf)  
 SPEED : 300mm/min



A-A

TOP OF REEL →



//	500EA	5-912103-9	1717831-2
REMARK	QTY/REEL	EMBOSS TAPE P/N	P/N

THIS DRAWING IS A CONTROLLED DOCUMENT.		DWN	<b>STE</b> TE Connectivity		
DIMENSIONS: MM		CHK			
TOLERANCES UNLESS OTHERWISE SPECIFIED:		APVD	NAME		
0 PLC ± -		PRODUCT SPEC	SEMI HARD TRAY & EMBOSS TAPE SUPPLY		
1 PLC ± -		108-5899	2 IN 1 mSATA AND MINI PCI EXPRESS MINI CARD		
2 PLC ± -		APPLICATION SPEC	CONNECTOR 4mm HEIGHT		
3 PLC ± -		WEIGHT	SIZE	CAGE CODE	DRAWING NO
4 PLC ± -		CUSTOMER DRAWING	A3	00779	C-1717831
ANGLES ± -			SCALE	SHEET	REV
FINISH		2:1	7 OF 7	E	



Компания «ЭлектроПласт» предлагает заключение долгосрочных отношений при поставках импортных электронных компонентов на взаимовыгодных условиях!

Наши преимущества:

- Оперативные поставки широкого спектра электронных компонентов отечественного и импортного производства напрямую от производителей и с крупнейших мировых складов;
- Поставка более 17-ти миллионов наименований электронных компонентов;
- Поставка сложных, дефицитных, либо снятых с производства позиций;
- Оперативные сроки поставки под заказ (от 5 рабочих дней);
- Экспресс доставка в любую точку России;
- Техническая поддержка проекта, помощь в подборе аналогов, поставка прототипов;
- Система менеджмента качества сертифицирована по Международному стандарту ISO 9001;
- Лицензия ФСБ на осуществление работ с использованием сведений, составляющих государственную тайну;
- Поставка специализированных компонентов (Xilinx, Altera, Analog Devices, Intersil, Interpoint, Microsemi, Aeroflex, Peregrine, Syfer, Eurofarad, Texas Instrument, Miteq, Cobham, E2V, MA-COM, Hittite, Mini-Circuits, General Dynamics и др.);

Помимо этого, одним из направлений компании «ЭлектроПласт» является направление «Источники питания». Мы предлагаем Вам помощь Конструкторского отдела:

- Подбор оптимального решения, техническое обоснование при выборе компонента;
- Подбор аналогов;
- Консультации по применению компонента;
- Поставка образцов и прототипов;
- Техническая поддержка проекта;
- Защита от снятия компонента с производства.



#### Как с нами связаться

**Телефон:** 8 (812) 309 58 32 (многоканальный)

**Факс:** 8 (812) 320-02-42

**Электронная почта:** [org@eplast1.ru](mailto:org@eplast1.ru)

**Адрес:** 198099, г. Санкт-Петербург, ул. Калинина, дом 2, корпус 4, литера А.