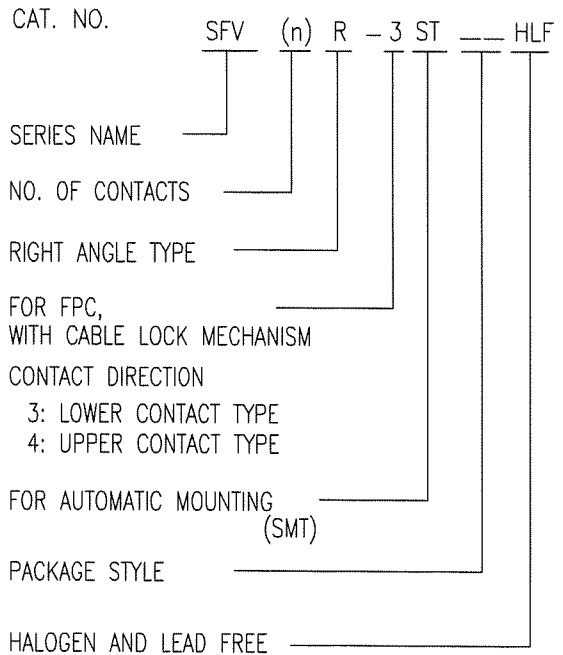


CAT. NO. & DIMENSIONS

| NO. OF CONTACTS (n) | CAT. NO. | DIMENSIONS (NOTE2) | | | |
|---------------------|-------------------|--------------------|---------|---------|---------|
| | | A ± 0.2 | B ± 0.2 | C ± 0.1 | D ± 0.1 |
| 4 | SFV 4R-3/4ST__HLF | 7.5 | 5.9 | 1.5 | 1.6 |
| 5 | SFV 5R-3/4ST__HLF | 8.0 | 6.4 | 2.0 | 2.1 |
| 6 | SFV 6R-3/4ST__HLF | 8.5 | 6.9 | 2.5 | 2.6 |
| 7 | SFV 7R-3/4ST__HLF | 9.0 | 7.4 | 3.0 | 3.1 |
| 8 | SFV 8R-3/4ST__HLF | 9.5 | 7.9 | 3.5 | 3.6 |
| 9 | SFV 9R-3/4ST__HLF | 10.0 | 8.4 | 4.0 | 4.1 |
| 10 | SFV10R-3/4ST__HLF | 10.5 | 8.9 | 4.5 | 4.6 |
| 11 | SFV11R-3/4ST__HLF | 11.0 | 9.4 | 5.0 | 5.1 |
| 12 | SFV12R-3/4ST__HLF | 11.5 | 9.9 | 5.5 | 5.6 |
| 13 | SFV13R-3/4ST__HLF | 12.0 | 10.4 | 6.0 | 6.1 |
| 14 | SFV14R-3/4ST__HLF | 12.5 | 10.9 | 6.5 | 6.6 |
| 15 | SFV15R-3/4ST__HLF | 13.0 | 11.4 | 7.0 | 7.1 |
| 16 | SFV16R-3/4ST__HLF | 13.5 | 11.9 | 7.5 | 7.6 |
| 17 | SFV17R-3/4ST__HLF | 14.0 | 12.4 | 8.0 | 8.1 |
| 18 | SFV18R-3/4ST__HLF | 14.5 | 12.9 | 8.5 | 8.6 |
| 19 | SFV19R-3/4ST__HLF | 15.0 | 13.4 | 9.0 | 9.1 |
| 20 | SFV20R-3/4ST__HLF | 15.5 | 13.9 | 9.5 | 9.6 |
| 21 | SFV21R-3/4ST__HLF | 16.0 | 14.4 | 10.0 | 10.1 |
| 22 | SFV22R-3/4ST__HLF | 16.5 | 14.9 | 10.5 | 10.6 |
| 23 | SFV23R-3/4ST__HLF | 17.0 | 15.4 | 11.0 | 11.1 |
| 24 | SFV24R-3/4ST__HLF | 17.5 | 15.9 | 11.5 | 11.6 |
| 25 | SFV25R-3/4ST__HLF | 18.0 | 16.4 | 12.0 | 12.1 |
| 26 | SFV26R-3/4ST__HLF | 18.5 | 16.9 | 12.5 | 12.6 |
| 27 | SFV27R-3/4ST__HLF | 19.0 | 17.4 | 13.0 | 13.1 |
| 28 | SFV28R-3/4ST__HLF | 19.5 | 17.9 | 13.5 | 13.6 |
| 29 | SFV29R-3/4ST__HLF | 20.0 | 18.4 | 14.0 | 14.1 |
| 30 | SFV30R-3/4ST__HLF | 20.5 | 18.9 | 14.5 | 14.6 |
| 31 | SFV31R-3/4ST__HLF | 21.0 | 19.4 | 15.0 | 15.1 |
| 32 | SFV32R-3/4ST__HLF | 21.5 | 19.9 | 15.5 | 15.6 |
| 33 | SFV33R-3/4ST__HLF | 22.0 | 20.4 | 16.0 | 16.1 |
| 34 | SFV34R-3/4ST__HLF | 22.5 | 20.9 | 16.5 | 16.6 |
| 35 | SFV35R-3/4ST__HLF | 23.0 | 21.4 | 17.0 | 17.1 |



NOTES

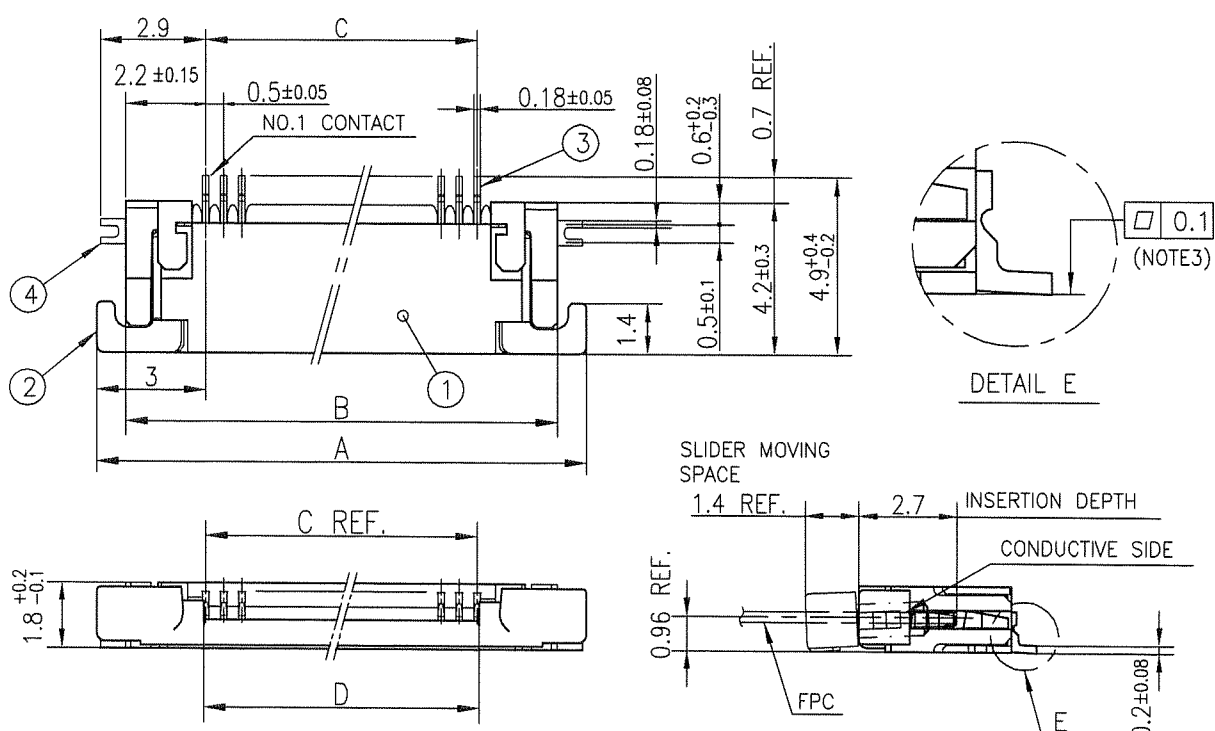
1. THIS PRODUCT IS THE CONNECTOR USED FOR FPC AND COPELS WITH AUTOMATIC MOUNTING (SMT).
2. SEE PART DRAWINGS FOR DIMENSIONS A~D.
3. THIS PRODUCT IS THE CONNECTOR WITH CABLE LOCK MECHANISM.



FCIconnect.com

Copyright FCI.

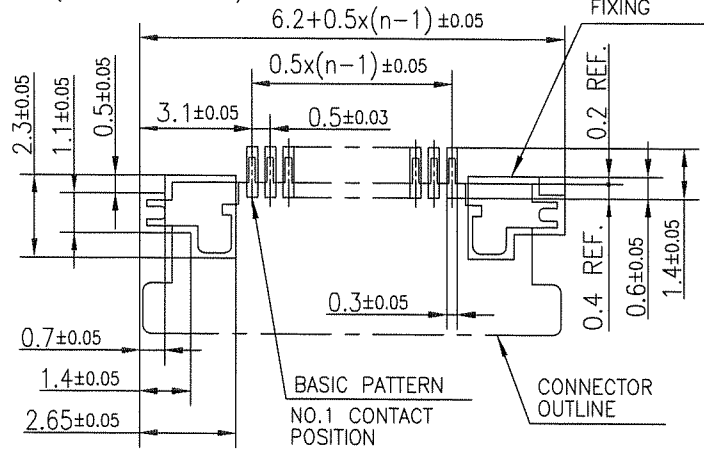
| | | | | | | | | | | | |
|-------------|----------------|---------------------------------------------------------|------|----------------------------------------------------------------------|--------------------|----------------|--|---------------------------------------------------------------------------------------------|-------------------------------|----------------------------|--------|
| mat'l. code | | surface ISO 1302 <input checked="" type="checkbox"/> | | tolerance ISO 406 <input checked="" type="checkbox"/> ISO 1101 | | projection | | product family 58EF | | CODE JP | |
| ltr | ecn no | dr | date | tolerances unless otherwise specified | | mm | | title CAT. NO. TABLE FOR 0.5 mm CONTACT SPACING CONNECTOR (Cat. No. : SFV__R-3/4ST__HLF) | | | |
| A | | | | angles | linear | scale \times | | dwg no 10117319 | | sheet 2 of 8 size A4 | |
| | | | | dr | <i>S. Wicks</i> | 2011-2-10 | | | type Product Customer Drawing | | |
| | | | | enrg | <i>S. Wicks</i> | 2011-2-10 | | | | | |
| | | | | chr | <i>Y. Kawada</i> | 2011-2-10 | | | | | |
| | | | | appd | <i>[Signature]</i> | Feb 10 11 | | | | | |
| sheet index | revision sheet | | | | | | | | | | Rev. A |



| PT. NO. | PARTS NAME | MATERIAL | Q'TY | NOTE |
|---------|----------------|------------------------------------------------------|------|------------------------------------------------------------|
| 1 | HOUSING | 13~35pin : LCP RESIN GLASS REINFORCED (UL94V-0) | 1 | COLOR : BLACK (HALOGEN FREE) |
| | | 4~12pin : POLYAMIDE RESIN GLASS REINFORCED (UL94V-0) | | |
| 2 | SLIDER | PPS RESIN GLASS REINFORCED (UL94V-0) | 1 | COLOR : GRAY (HALOGEN FREE) |
| 3 | CONTACT | PHOSPHOR BRONZE | n | PLATING : MATTE PURE TIN Ni UNDER PLATED (LEAD FREE) |
| 4 | MOUNTING PLATE | | 2 | |

n : NO. OF CONTACTS

RECOMMENDED PC BOARD LAYOUT
(COMPONENT SIDE)



- NOTES
- THIS PRODUCT IS THE CONNECTOR USED FOR FPC AND COPES WITH AUTOMATIC MOUNTING (SMT).
 - THIS PRODUCT IS UPPER CONTACT TYPE CONNECTOR WITH CABLE LOCK MECHANISM.
 - FLATNESS OF CONTACT TERMINAL AND MOUNTING PLATE MUST BE WITHIN TOLERANCE IN E PORTION DETAILED DRAWING.
 - THIS PRODUCT MEETS EUROPEAN UNION DIRECTIVES AND OTHER COUNTRY REGULATIONS AS DESCRIBED IN GS-22-008.
 - THE HOUSING WILL WITHSTAND EXPOSURE TO 260°C PEAK TEMPERATURE FOR 10 SECONDS IN A REFLOW SOLDERING OVEN.

| | | | | | | | | | | | |
|-------------|--------|--------------------|-------------------|---------------------------------------|--------|------------|----------|---------------------------------------------------------------------------------|--------------------------|---------|--------|
| mat'l. code | | surface ISO 1302 ✓ | | tolerance ISO 406 ISO 1101 | | projection | | product family 58EF | | CODE JP | |
| ltr | ecn no | dr | date | tolerances unless otherwise specified | | mm | | title | | | |
| A | | | | angles | linear | mm | | CONNECTOR USED FOR FPC WITH 0.5 mm CONTACT SPACING (Cat. No. : SFV__R-4ST__HLF) | | | |
| | | dr | <i>S. Nishida</i> | 2011-2-10 | scale | | dwg no | | sheet 4 of 8 | | size |
| | | enr | <i>S. Nishida</i> | 2011-2-10 | FCJ | | 10117319 | | | | A4 |
| | | chr | <i>Y. Kamada</i> | 2011-2-10 | | | type | | Product Customer Drawing | | |
| | | appd | <i>M. Iwano</i> | Feb/11 | | | | | | | Rev. A |
| sheet index | | revision sheet | | | | | | | | | |

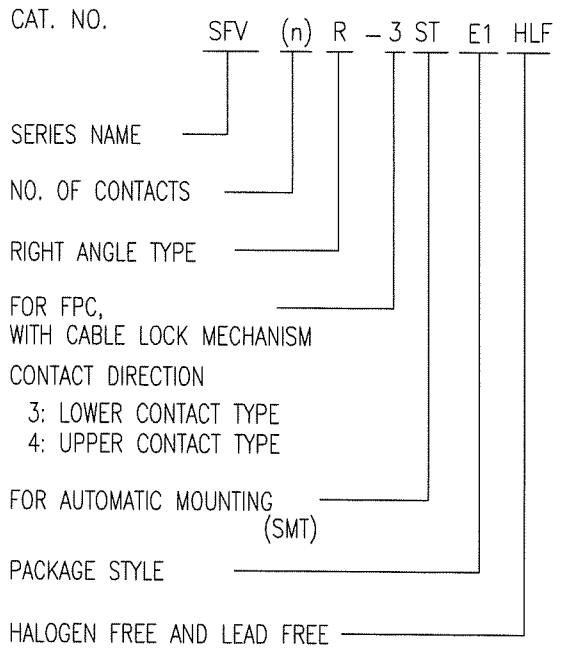


FCJconnect.com

Copyright FCI.

CAT. NO. & DIMENSIONS

| NO. OF CONTACTS (n) | CAT. NO. | DIMENSIONS (NOTE3) | | |
|---------------------|-------------------|--------------------|---------|---------|
| | | F ± 5 | G ± 0.3 | H ± 0.1 |
| 4 | SFV 4R-3/4STE1HLF | 20.4 | 16 | — |
| 5 | SFV 5R-3/4STE1HLF | 20.4 | 16 | — |
| 6 | SFV 6R-3/4STE1HLF | 20.4 | 16 | — |
| 7 | SFV 7R-3/4STE1HLF | 28.4 | 24 | — |
| 8 | SFV 8R-3/4STE1HLF | 28.4 | 24 | — |
| 9 | SFV 9R-3/4STE1HLF | 28.4 | 24 | — |
| 10 | SFV10R-3/4STE1HLF | 28.4 | 24 | — |
| 11 | SFV11R-3/4STE1HLF | 28.4 | 24 | — |
| 12 | SFV12R-3/4STE1HLF | 28.4 | 24 | — |
| 13 | SFV13R-3/4STE1HLF | 28.4 | 24 | — |
| 14 | SFV14R-3/4STE1HLF | 28.4 | 24 | — |
| 15 | SFV15R-3/4STE1HLF | 28.4 | 24 | — |
| 16 | SFV16R-3/4STE1HLF | 28.4 | 24 | — |
| 17 | SFV17R-3/4STE1HLF | 28.4 | 24 | — |
| 18 | SFV18R-3/4STE1HLF | 28.4 | 24 | — |
| 19 | SFV19R-3/4STE1HLF | 28.4 | 24 | — |
| 20 | SFV20R-3/4STE1HLF | 28.4 | 24 | — |
| 21 | SFV21R-3/4STE1HLF | 28.4 | 24 | — |
| 22 | SFV22R-3/4STE1HLF | 28.4 | 24 | — |
| 23 | SFV23R-3/4STE1HLF | 36.4 | 32 | 28.4 |
| 24 | SFV24R-3/4STE1HLF | 36.4 | 32 | 28.4 |
| 25 | SFV25R-3/4STE1HLF | 36.4 | 32 | 28.4 |
| 26 | SFV26R-3/4STE1HLF | 36.4 | 32 | 28.4 |
| 27 | SFV27R-3/4STE1HLF | 36.4 | 32 | 28.4 |
| 28 | SFV28R-3/4STE1HLF | 36.4 | 32 | 28.4 |
| 29 | SFV29R-3/4STE1HLF | 36.4 | 32 | 28.4 |
| 30 | SFV30R-3/4STE1HLF | 36.4 | 32 | 28.4 |
| 31 | SFV31R-3/4STE1HLF | 48.4 | 44 | 40.4 |
| 32 | SFV32R-3/4STE1HLF | 48.4 | 44 | 40.4 |
| 33 | SFV33R-3/4STE1HLF | 48.4 | 44 | 40.4 |
| 34 | SFV34R-3/4STE1HLF | 48.4 | 44 | 40.4 |
| 35 | SFV35R-3/4STE1HLF | 48.4 | 44 | 40.4 |



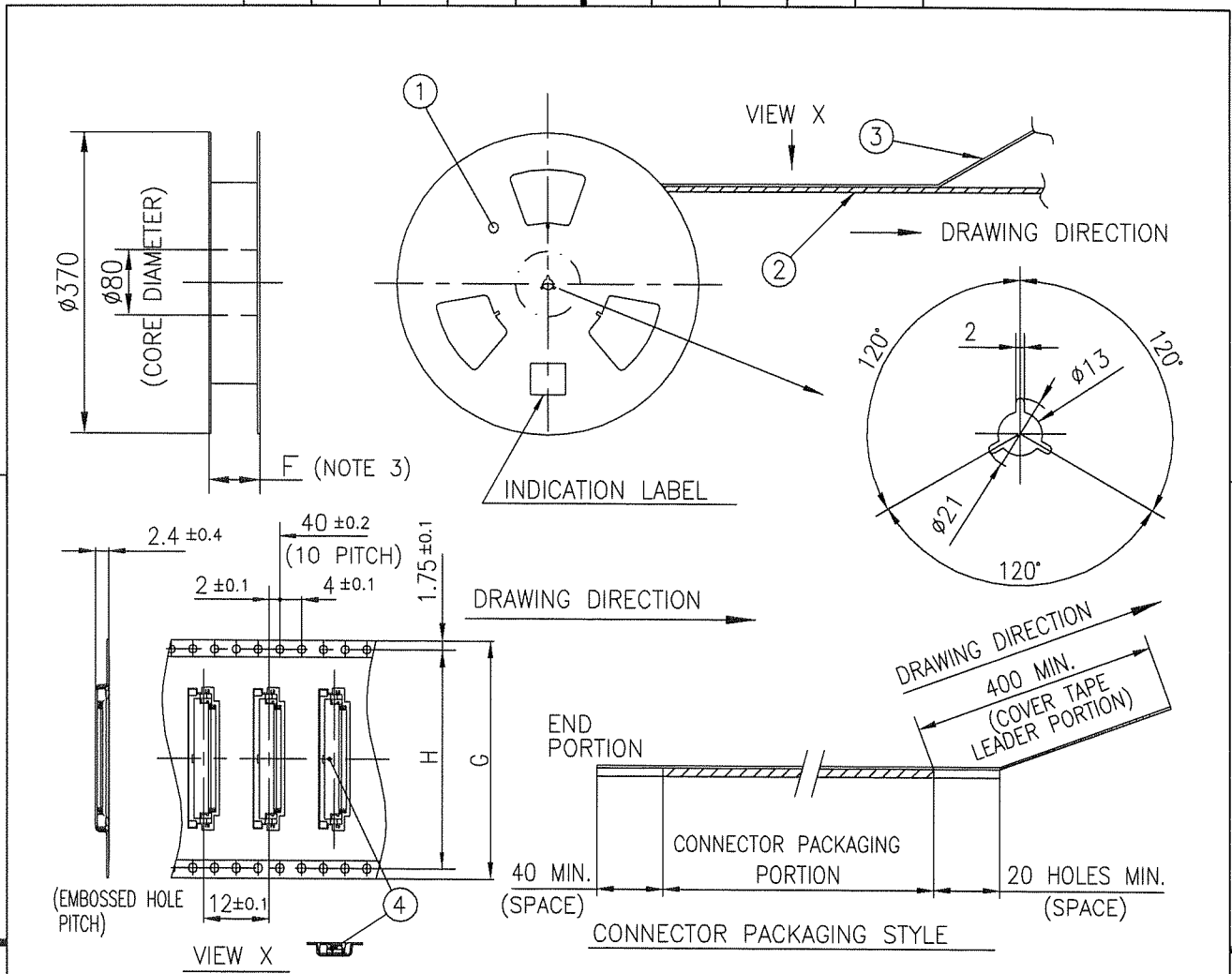
NOTES

1. THIS PRODUCT IS THE CONNECTOR USED FOR FPC AND COPES WITH AUTOMATIC MOUNTING (SMT).
2. THIS CATALOG NO. INDICATES PLASTIC TAPE PACKAGED
3. SEE PART DRAWINGS FOR DIMENSIONS F~H.
4. THIS PRODUCT IS THE CONNECTOR WITH CABLE LOCK MECHANISM.



Copyright FCI.

| | | | | | | | | | | | | | |
|--------------------|--|----------------|--|------------------------------------------------------|--|-------------------------------------------------------|--|------------|--|----------------------------------------------------------------------------------------------------------|--|---------|--|
| mat'l. code | | | | surface ISO 1302 <input checked="" type="checkbox"/> | | tolerance ISO 406 <input checked="" type="checkbox"/> | | projection | | product family 58EF | | CODE JP | |
| ltr ecn no dr date | | | | tolerances unless otherwise specified | | mm | | title | | CAT. NO. TABLE FOR PLASTIC TAPE PACKAGED 0.5 mm CONTACT SPACING CONNECTOR (Cat. No. : SFV__R-3/4STE1HLF) | | | |
| A | | | | angles linear | | scale \times | | dwg no | | sheet 5 of 8 | | size | |
| | | | | dr <i>S. Mithal</i> 2011-2-10 | | | | 10117319 | | | | A4 | |
| | | | | enr <i>S. Mithal</i> 2011-2-10 | | | | type | | Product Customer Drawing | | | |
| | | | | chr <i>V. Zamora</i> 2011-2-10 | | | | | | | | | |
| | | | | appd <i>M. Carr</i> Feb 10/11 | | | | | | | | | |
| sheet index | | revision sheet | | | | | | | | | | Rev. A | |



| PT. NO. | PARTS NAME | CAT. NO. | MATERIAL | Q'TY | NOTE |
|---------|-----------------------|----------------|-------------------|------|----------------------------------------------|
| 1 | REEL | — | CARDBOARD | 1 | COLOR : WHITE |
| 2 | PLASTIC (EMBOSS) TAPE | — | A-PET | — | COLOR : TRANSPARENCY |
| 3 | COVER | — | POLYESTER | — | COLO : TRANSPARENCY |
| 4 | CONNECTOR | SFV__R-3ST_HLF | SEE ATTACHED DWG. | 3000 | LOWER CONTACT TYPE WITH CABLE LOCK MECHANISM |

NOTES

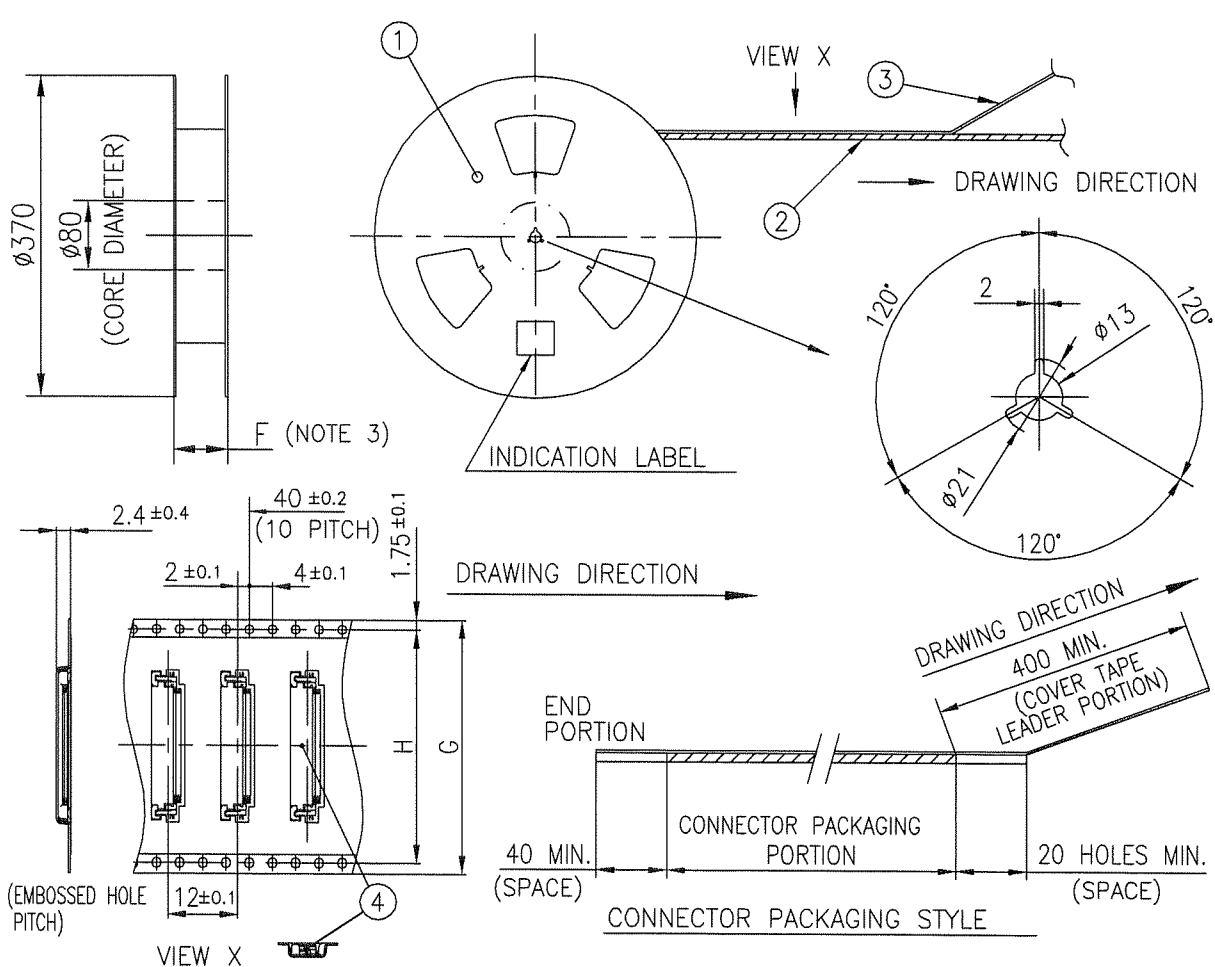
1. THIS IS PLASTIC TAPE PACKAGED CONNECTOR USED FOR FPC AND COPES WITH AUTOMATIC MOUNTING (SMT).
2. SEE JIS C 0806 (PACKING OF ELECTRONIC COMPONENTS ON CONTINUOUS TAPES (SURFACE MOUNTING DEVICES)) FOR SHAPE AND DIMENSIONS OF PLASTIC (EMBOSS) TAPE AND REEL.
3. F DIMENSION IS PORTION OF THE CORE.

| | | | | | | | | | | | |
|-------------|--------|--------------------|------|----------------------------|---------------------------------------|------------|----|---------------------|-------------------------------------------------------------------------------------|--------------------------|--|
| mat'l. code | | surface ISO 1302 ✓ | | tolerance ISO 406 ISO 1101 | | projection | | product family 58EF | | CODE JP | |
| ltr | ecn no | dr | date | | tolerances unless otherwise specified | | mm | | title | | |
| A | | | | | angles linear ±5' | | mm | | PLASTIC TAPE PACKAGED 0.5 mm CONTACT SPACING CONNECTOR (Cat. No. : SFV__R-3STE1HLF) | | |
| | | | dr | S. Nishida 2011-2-10 | | scale X | | dwg no | | sheet 6 of 8 size | |
| | | | enr | S. Nishida 2011-2-10 | | FCI | | 10117319 | | A4 | |
| | | | chr | Y. Yamada 2011-2-10 | | | | type | | Product Customer Drawing | |
| | | | appd | M. Nishida Feb 10 2011 | | | | | | Rev. A | |
| sheet index | | revision sheet | | | | | | | | | |



FCIconnect.com

Copyright FCI.



| PT. NO. | PARTS NAME | CAT. NO. | MATERIAL | Q'TY | NOTE |
|---------|-----------------------|-----------------|-------------------|------|----------------------------------------------|
| 1 | REEL | --- | CARDBOARD | 1 | COLOR : WHITE |
| 2 | PLASTIC (EMBOSS) TAPE | --- | A-PET | --- | COLOR : TRANSPARENCY |
| 3 | COVER | --- | POLYESTER | --- | COLOR : TRANSPARENCY |
| 4 | CONNECTOR | SFV__R-4ST__HLF | SEE ATTACHED DWG. | 3000 | UPPER CONTACT TYPE WITH CABLE LOCK MECHANISM |

- NOTES
- THIS IS PLASTIC TAPE PACKAGED CONNECTOR USED FOR FPC AND COPES WITH AUTOMATIC MOUNTING (SMT).
 - SEE JIS C 0806 (PACKING OF ELECTRONIC COMPONENTS ON CONTINUOUS TAPES (SURFACE MOUNTING DEVICES)) FOR SHAPE AND DIMENSIONS OF PLASTIC (EMBOSS) TAPE AND REEL.
 - F DIMENSION IS PORTION OF THE CORE.

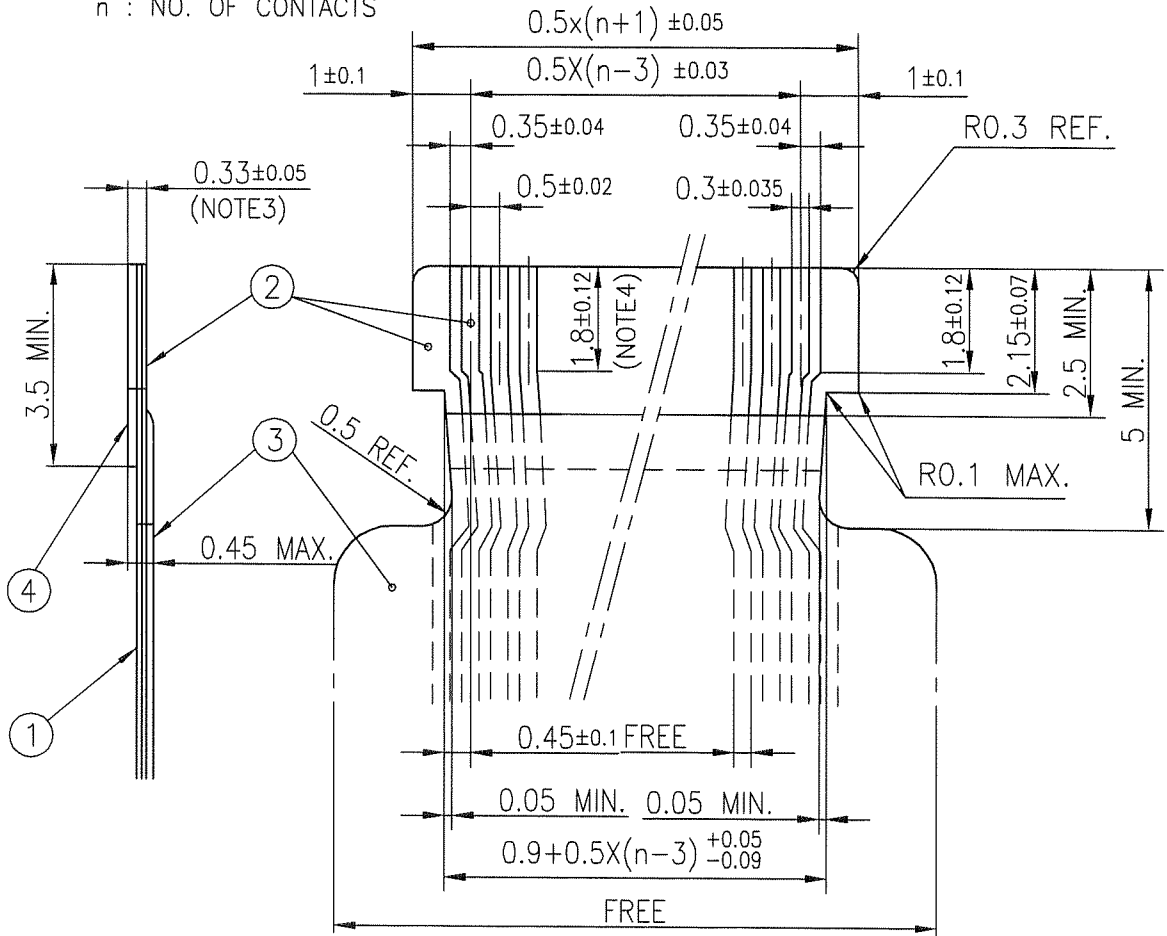
| | | | | | | | | | | | | | |
|-------------|--|----------------------------------------------------------------|--|----------------------------------|--|------------------|--|----------------------------------------------------------------------------------------------------|--|--------------------------|--|------|--|
| mat'l. code | | surface ISO 1302 ✓ tolerances unless otherwise specified | | tolerance ISO 406 ISO 1101 | | projection mm | | product family 58EF | | CODE JP | | | |
| ltr | | ecn no | | dr | | date | | title PLASTIC TAPE PACKAGED 0.5 mm CONTACT SPACING CONNECTOR (Cat. No. : SFV__R-4STE1HLF) | | dwg no | | | |
| A | | | | | | | | sheet 7 of 8 | | size | | | |
| | | | | angles ±5' | | linear ±5 | | scale X | | 10117319 | | | |
| | | dr | | S. Nishida | | 2011-2-10 | | | | type | | | |
| | | enr | | S. Nishida | | 2011-2-10 | | | | Product Customer Drawing | | Rev. | |
| | | chr | | Y. Kamada | | 2011-2-10 | | | | A | | A | |
| | | appd | | M. Iwano | | Feb 10/11 | | | | | | | |
| sheet index | | revision sheet | | | | | | | | | | | |

FCI
FCIconnect.com

Copyright FCI.

RECOMMENDED CABLE (FPC)

n : NO. OF CONTACTS



| PT. NO. | PARTS NAME | MATERIAL | THICKNESS (um) |
|---------|-----------------|-----------------------------------------------|----------------|
| 1 | BASE FILM | POLYIMIDE OR POLYESTER OR EQUAL | 25 |
| 2 | CONDUCTOR | COPPER FOIL(PLATING : TIN or SOLDER 1um min.) | 35 |
| 3 | OVERLAY | POLYIMIDE OR POLYESTER OR EQUAL | — |
| 4 | SUPPORTING TAPE | POLYESTER OR POLYIMIDE OR EQUAL | 188 |

NOTES

1. NO BURR AT EACH PORTION.
2. NO PEELING IN COMMON USE.
3. TOTAL THICKNESS LIMIT OF EACH MATERIAL (INCLUDING ADHESIVE AGENT) IS SPECIFIED.
4. THIS DIMENSION INDICATES THE RANGE FOR 0.3±0.035 CONDUCTOR WIDTH.

| | | | | | | | | | | | |
|-------------|--|------------------------------------------------------|--|-------------------------------------------------------|--|------------|--|---------------------------------|--|-------------------------------|--|
| mat'l. code | | surface ISO 1302 <input checked="" type="checkbox"/> | | tolerance ISO 406 <input checked="" type="checkbox"/> | | projection | | product family 58EF | | CODE JP | |
| ltr | | ecn no | | dr | | date | | title | | RECOMMENDED CABLE | |
| A | | | | | | | | (Cat. No. : SFV__R-3/4STB__HLF) | | | |
| | | angles | | linear | | mm | | scale X | | dwg no | |
| | | | | | | | | | | sheet 8 of 8 | |
| | | dr | | 2011-2-10 | | | | | | size | |
| | | enr | | 2011-2-10 | | | | | | A4 | |
| | | chr | | 2011-2-10 | | | | | | 10117319 | |
| | | appd | | Feb 10 2011 | | | | | | type Product Customer Drawing | |
| sheet index | | revision sheet | | | | | | | | Rev. A | |



FCIconnect.com

Copyright FCI.



Компания «ЭлектроПласт» предлагает заключение долгосрочных отношений при поставках импортных электронных компонентов на взаимовыгодных условиях!

Наши преимущества:

- Оперативные поставки широкого спектра электронных компонентов отечественного и импортного производства напрямую от производителей и с крупнейших мировых складов;
- Поставка более 17-ти миллионов наименований электронных компонентов;
- Поставка сложных, дефицитных, либо снятых с производства позиций;
- Оперативные сроки поставки под заказ (от 5 рабочих дней);
- Экспресс доставка в любую точку России;
- Техническая поддержка проекта, помощь в подборе аналогов, поставка прототипов;
- Система менеджмента качества сертифицирована по Международному стандарту ISO 9001;
- Лицензия ФСБ на осуществление работ с использованием сведений, составляющих государственную тайну;
- Поставка специализированных компонентов (Xilinx, Altera, Analog Devices, Intersil, Interpoint, Microsemi, Aeroflex, Peregrine, Syfer, Eurofarad, Texas Instrument, Miteq, Cobham, E2V, MA-COM, Hittite, Mini-Circuits, General Dynamics и др.);

Помимо этого, одним из направлений компании «ЭлектроПласт» является направление «Источники питания». Мы предлагаем Вам помощь Конструкторского отдела:

- Подбор оптимального решения, техническое обоснование при выборе компонента;
- Подбор аналогов;
- Консультации по применению компонента;
- Поставка образцов и прототипов;
- Техническая поддержка проекта;
- Защита от снятия компонента с производства.



Как с нами связаться

Телефон: 8 (812) 309 58 32 (многоканальный)

Факс: 8 (812) 320-02-42

Электронная почта: org@eplast1.ru

Адрес: 198099, г. Санкт-Петербург, ул. Калинина, дом 2, корпус 4, литера А.