



FCIconnect.com

Copyright FCI.

List of "SFV\_\_R-3/4STE1HLF" customer document

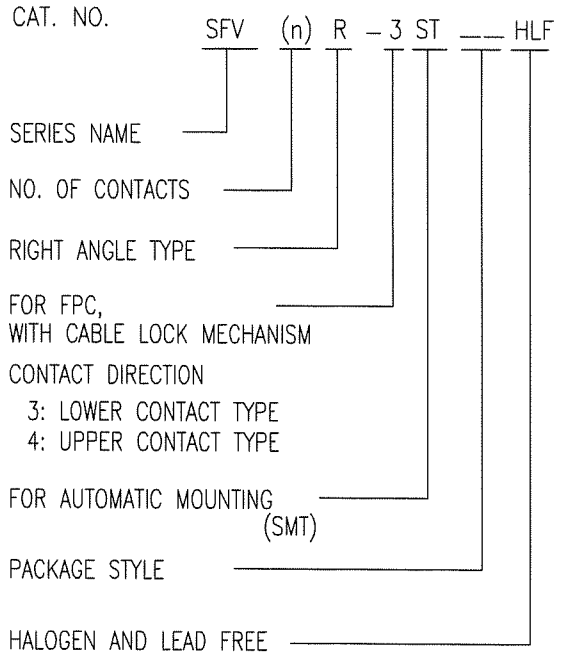
| DOCUMENT NO.     | LIST   |
|------------------|--|
| 10117319(Sheet1) | DOCUMENT LIST  |
| 10117319(Sheet2) | CAT.NO.TABLE FOR 0.5mm CONTACT SPACING CONNECTOR (SFV__R-3/4ST_HLF)                        |
| 10117319(Sheet3) | CONNECTOR USED FOR FPC WITH 0.5mm CONTACT SPACING (SFV__R-3ST_HLF)                         |
| 10117319(Sheet4) | CONNECTOR USED FOR FPC WITH 0.5mm CONTACT SPACING (SFV__R-4ST_HLF)                         |
| 10117319(Sheet5) | CAT.NO.TABLE FOR PLASTIC TAPE PACKAGED 0.5mm CONTACT SPACING CONNECTOR (SFV__R-3/4STE1HLF) |
| 10117319(Sheet6) | PLASTIC TAPE PACKAGED 0.5mm CONTACT SPACING CONNECTOR (SFV__R-3STE1HLF)                    |
| 10117319(Sheet7) | PLASTIC TAPE PACKAGED 0.5mm CONTACT SPACING CONNECTOR (SFV__R-4STE1HLF)                    |
| 10117319(Sheet8) | RECOMMENDED CABLE (FPC) (SFV__R-3/4ST_HLF)   |
| GS-12-0844       | SPEC.  |
| BJM-SFV102       | HANDLING PROCEDURES  |

|             |  |                |  |   |  |                                  |  |                                       |  |   |  |                    |  |
|-------------|--|----------------|--|---|--|----------------------------------|--|---------------------------------------|--|---|--|--------------------|--|
| mat'l. code |  |                |  | surface<br>ISO 1302 <input checked="" type="checkbox"/> |  | tolerance<br>ISO 406<br>ISO 1101 |  | projection<br>                        |  | product family<br>58EF  |  | CODE<br>JP         |  |
| ltr         |  | ecn no         |  | dr  |  | date                             |  | tolerances unless otherwise specified |  | title<br>0.5mm SPACING FPC<br>CONNECTOR DOCUMENT LIST<br>(Cat. No. : SFV__R-3/4STE1HLF) |  | dwg no<br>10117319 |  |
| A           |  | J11-0042       |  | S.W.  |  | 2011-2-10                        |  | linear                                |  |   |  |                    |  |
| sheet index |  | revision sheet |  | dr  |  | engr                             |  | chr                                   |  | appd  |  | size               |  |
| 1           |  | A              |  | S. Nishida  |  | 2011-2-10                        |  | Y. Kamada                             |  | Feb 10/11   |  | A4                 |  |
| 2           |  | A              |  | S. Nishida  |  | 2011-2-10                        |  | Y. Kamada                             |  | Feb 10/11   |  | A4                 |  |
| 3           |  | A              |  | S. Nishida  |  | 2011-2-10                        |  | Y. Kamada                             |  | Feb 10/11   |  | A4                 |  |
| 4           |  | A              |  | S. Nishida  |  | 2011-2-10                        |  | Y. Kamada                             |  | Feb 10/11   |  | A4                 |  |
| 5           |  | A              |  | S. Nishida  |  | 2011-2-10                        |  | Y. Kamada                             |  | Feb 10/11   |  | A4                 |  |
| 6           |  | A              |  | S. Nishida  |  | 2011-2-10                        |  | Y. Kamada                             |  | Feb 10/11   |  | A4                 |  |
| 7           |  | A              |  | S. Nishida  |  | 2011-2-10                        |  | Y. Kamada                             |  | Feb 10/11   |  | A4                 |  |
| 8           |  | A              |  | S. Nishida  |  | 2011-2-10                        |  | Y. Kamada                             |  | Feb 10/11   |  | A4                 |  |
| type        |  |                |  |   |  |                                  |  |                                       |  | Product Customer Drawing  |  |                    |  |
| Rev. A      |  |                |  |   |  |                                  |  |                                       |  | A   |  |                    |  |

form: A4

CAT. NO. & DIMENSIONS

| NO. OF CONTACTS (n) | CAT. NO.          | DIMENSIONS (NOTE2) |         |         |         |
|---------------------|-------------------|--------------------|---------|---------|---------|
|                     |                   | A ± 0.2            | B ± 0.2 | C ± 0.1 | D ± 0.1 |
| 4                   | SFV 4R-3/4ST__HLF | 7.5                | 5.9     | 1.5     | 1.6     |
| 5                   | SFV 5R-3/4ST__HLF | 8.0                | 6.4     | 2.0     | 2.1     |
| 6                   | SFV 6R-3/4ST__HLF | 8.5                | 6.9     | 2.5     | 2.6     |
| 7                   | SFV 7R-3/4ST__HLF | 9.0                | 7.4     | 3.0     | 3.1     |
| 8                   | SFV 8R-3/4ST__HLF | 9.5                | 7.9     | 3.5     | 3.6     |
| 9                   | SFV 9R-3/4ST__HLF | 10.0               | 8.4     | 4.0     | 4.1     |
| 10                  | SFV10R-3/4ST__HLF | 10.5               | 8.9     | 4.5     | 4.6     |
| 11                  | SFV11R-3/4ST__HLF | 11.0               | 9.4     | 5.0     | 5.1     |
| 12                  | SFV12R-3/4ST__HLF | 11.5               | 9.9     | 5.5     | 5.6     |
| 13                  | SFV13R-3/4ST__HLF | 12.0               | 10.4    | 6.0     | 6.1     |
| 14                  | SFV14R-3/4ST__HLF | 12.5               | 10.9    | 6.5     | 6.6     |
| 15                  | SFV15R-3/4ST__HLF | 13.0               | 11.4    | 7.0     | 7.1     |
| 16                  | SFV16R-3/4ST__HLF | 13.5               | 11.9    | 7.5     | 7.6     |
| 17                  | SFV17R-3/4ST__HLF | 14.0               | 12.4    | 8.0     | 8.1     |
| 18                  | SFV18R-3/4ST__HLF | 14.5               | 12.9    | 8.5     | 8.6     |
| 19                  | SFV19R-3/4ST__HLF | 15.0               | 13.4    | 9.0     | 9.1     |
| 20                  | SFV20R-3/4ST__HLF | 15.5               | 13.9    | 9.5     | 9.6     |
| 21                  | SFV21R-3/4ST__HLF | 16.0               | 14.4    | 10.0    | 10.1    |
| 22                  | SFV22R-3/4ST__HLF | 16.5               | 14.9    | 10.5    | 10.6    |
| 23                  | SFV23R-3/4ST__HLF | 17.0               | 15.4    | 11.0    | 11.1    |
| 24                  | SFV24R-3/4ST__HLF | 17.5               | 15.9    | 11.5    | 11.6    |
| 25                  | SFV25R-3/4ST__HLF | 18.0               | 16.4    | 12.0    | 12.1    |
| 26                  | SFV26R-3/4ST__HLF | 18.5               | 16.9    | 12.5    | 12.6    |
| 27                  | SFV27R-3/4ST__HLF | 19.0               | 17.4    | 13.0    | 13.1    |
| 28                  | SFV28R-3/4ST__HLF | 19.5               | 17.9    | 13.5    | 13.6    |
| 29                  | SFV29R-3/4ST__HLF | 20.0               | 18.4    | 14.0    | 14.1    |
| 30                  | SFV30R-3/4ST__HLF | 20.5               | 18.9    | 14.5    | 14.6    |
| 31                  | SFV31R-3/4ST__HLF | 21.0               | 19.4    | 15.0    | 15.1    |
| 32                  | SFV32R-3/4ST__HLF | 21.5               | 19.9    | 15.5    | 15.6    |
| 33                  | SFV33R-3/4ST__HLF | 22.0               | 20.4    | 16.0    | 16.1    |
| 34                  | SFV34R-3/4ST__HLF | 22.5               | 20.9    | 16.5    | 16.6    |
| 35                  | SFV35R-3/4ST__HLF | 23.0               | 21.4    | 17.0    | 17.1    |



NOTES

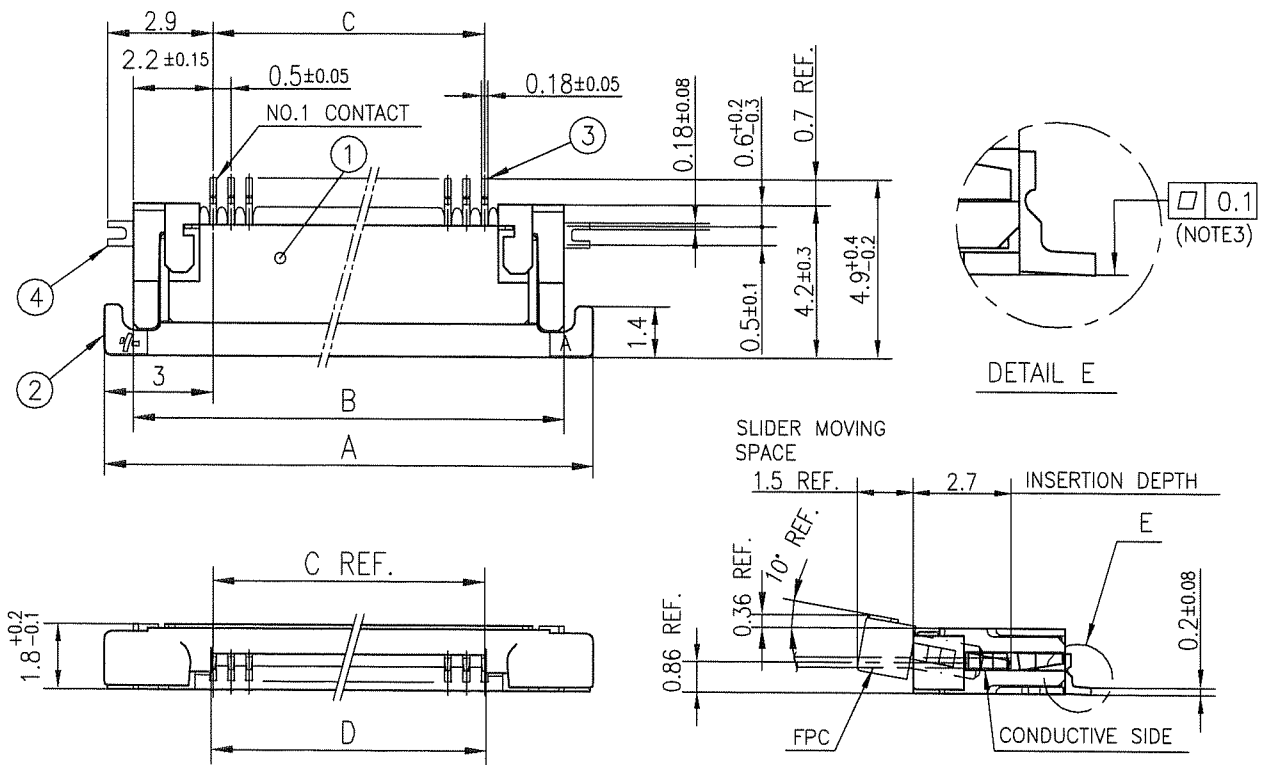
1. THIS PRODUCT IS THE CONNECTOR USED FOR FPC AND COPELS WITH AUTOMATIC MOUNTING (SMT).
2. SEE PART DRAWINGS FOR DIMENSIONS A~D.
3. THIS PRODUCT IS THE CONNECTOR WITH CABLE LOCK MECHANISM.



FCIconnect.com

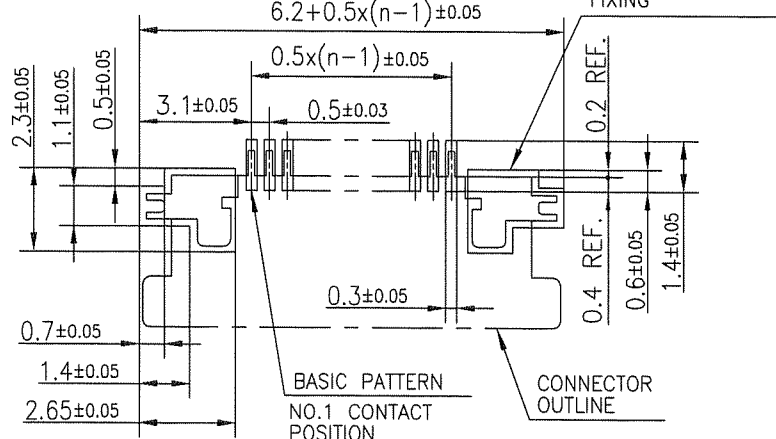
Copyright FCI.

|             |                |   |          |                                       |  |                               |
|-------------|----------------|---|----------|---------------------------------------|--|-------------------------------|
| mat'l. code |                | surface ISO 1302 <input checked="" type="checkbox"/> tolerance ISO 406 <input checked="" type="checkbox"/> ISO 1101 |          | projection                            | product family 58EF  | CODE JP                       |
| ltr         | ecn no         | dr  | date     | tolerances unless otherwise specified | title  |                               |
| A           |                |   |          | angles linear                         | CAT. NO. TABLE FOR 0.5 mm CONTACT SPACING CONNECTOR (Cat. No. : SFV__R-3/4ST__HLF) |                               |
|             |                |   |          | mm                                    | scale X  |                               |
|             |                | dr  | engr     | chr                                   | appd   | dwg no sheet 2 of 8 size      |
|             |                | S. Wicks  | S. Wicks | Y. Kawada                             | Feb 10 11  | 10117319 A4                   |
| sheet index | revision sheet |   |          |                                       |  | type Product Customer Drawing |
|             |                |   |          |                                       |  | Rev. A                        |



| PT. NO. | PARTS NAME     | MATERIAL   | Q'TY | NOTE   |
|---------|----------------|--|------|--|
| 1       | HOUSING        | 13~35pin : LCP RESIN GLASS REINFORCED (UL94V-0)      | 1    | COLOR : BLACK (HALOGEN FREE)                               |
|         |                | 4~12pin : POLYAMIDE RESIN GLASS REINFORCED (UL94V-0) |      |  |
| 2       | SLIDER         | PPS RESIN GLASS REINFORCED (UL94V-0)                 | 1    | COLOR : GRAY (HALOGEN FREE)                                |
| 3       | CONTACT        | PHOSPHOR BRONZE                                      | n    | PLATING : MATTE PURE TIN<br>Ni UNDER PLATED<br>(LEAD FREE) |
| 4       | MOUNTING PLATE |  | 2    |  |

RECOMMENDED PC BOARD LAYOUT (COMPONENT SIDE)



n : NO. OF CONTACTS

- NOTES
1. THIS PRODUCT IS THE CONNECTOR USED FOR FPC AND COPS WITH AUTOMATIC MOUNTING (SMT).
  2. THIS PRODUCT IS LOWER CONTACT TYPE CONNECTOR WITH CABLE LOCK MECHANISM.
  3. FLATNESS OF CONTACT TERMINAL AND MOUNTING PLATE MUST BE WITHIN TOLERANCE IN E PORTION DETAILED DRAWING.
  4. THIS PRODUCT MEETS EUROPEAN UNION DIRECTIVES AND OTHER COUNTRY REGULATIONS AS DESCRIBED IN GS-22-008.
  5. THE HOUSING WILL WITHSTAND EXPOSURE TO 260°C PEAK TEMPERATURE FOR 10 SECONDS IN A REFLOW SOLDERING OVEN.

|             |  |                  |  |                   |  |            |  |                     |  |  |  |
|-------------|--|------------------|--|-------------------|--|------------|--|---------------------|--|--|--|
| mat'l. code |  | surface ISO 1302 |  | tolerance ISO 406 |  | projection |  | product family 58EF |  | CODE JP  |  |
| ltr         |  | ecn no           |  | dr                |  | date       |  | title               |  | CONNECTION USED FOR FPC WITH 0.5 mm CONTACT SPACING (Cat. No. : SFV__R-3ST__HLF) |  |
| A           |  |                  |  |                   |  |            |  | scale               |  | X  |  |
| sheet index |  | revision sheet   |  | dr                |  | engr       |  | dwg no              |  | sheet 3 of 8   |  |
|             |  |                  |  | chr               |  | appd       |  | 10117319            |  | size A4  |  |
|             |  |                  |  |                   |  |            |  | type                |  | Product Customer Drawing   |  |
|             |  |                  |  |                   |  |            |  |                     |  | Rev. A   |  |



FCIconnect.com

Copyright FCI.



| PT. NO. | PARTS NAME     | MATERIAL   | Q'TY | NOTE   |
|---------|----------------|--|------|--|
| 1       | HOUSING        | 13~35pin : LCP RESIN GLASS REINFORCED (UL94V-0)      | 1    | COLOR : BLACK (HALOGEN FREE)                               |
|         |                | 4~12pin : POLYAMIDE RESIN GLASS REINFORCED (UL94V-0) |      |  |
| 2       | SLIDER         | PPS RESIN GLASS REINFORCED (UL94V-0)                 | 1    | COLOR : GRAY (HALOGEN FREE)                                |
| 3       | CONTACT        | PHOSPHOR BRONZE                                      | n    | PLATING : MATTE PURE TIN<br>Ni UNDER PLATED<br>(LEAD FREE) |
| 4       | MOUNTING PLATE |  | 2    |  |

n : NO. OF CONTACTS

RECOMMENDED PC BOARD LAYOUT (COMPONENT SIDE)



NOTES

- THIS PRODUCT IS THE CONNECTOR USED FOR FPC AND COPES WITH AUTOMATIC MOUNTING (SMT).
- THIS PRODUCT IS UPPER CONTACT TYPE CONNECTOR WITH CABLE LOCK MECHANISM.
- FLATNESS OF CONTACT TERMINAL AND MOUNTING PLATE MUST BE WITHIN TOLERANCE IN E PORTION DETAILED DRAWING.
- THIS PRODUCT MEETS EUROPEAN UNION DIRECTIVES AND OTHER COUNTRY REGULATIONS AS DESCRIBED IN GS-22-008.
- THE HOUSING WILL WITHSTAND EXPOSURE TO 260°C PEAK TEMPERATURE FOR 10 SECONDS IN A REFLOW SOLDERING OVEN.

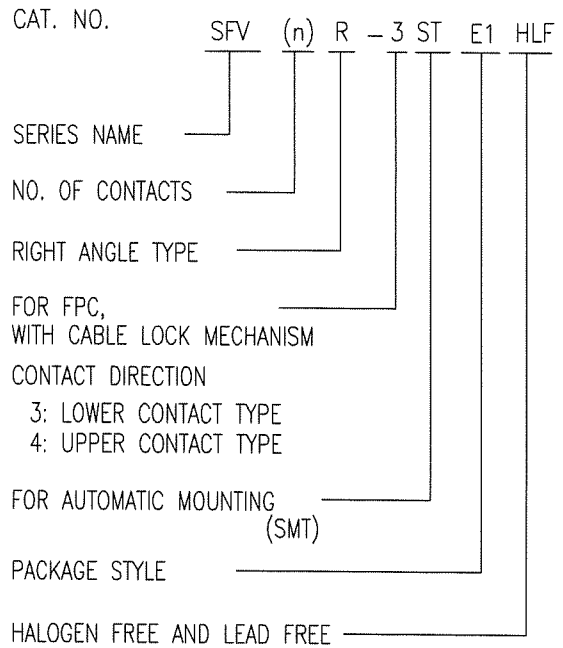
|             |                |                    |                   |                                       |             |            |          |   |                          |         |        |
|-------------|----------------|--------------------|-------------------|---------------------------------------|-------------|------------|----------|---|--------------------------|---------|--------|
| mat'l. code |                | surface ISO 1302 ✓ |                   | tolerance ISO 406 ISO 1101            |             | projection |          | product family 58EF   |                          | CODE JP |        |
| ltr         | ecn no         | dr                 | date              | tolerances unless otherwise specified |             | mm         |          | title   |                          |         |        |
| A           |                |                    |                   | angles                                | linear ±0.2 | mm         |          | CONNECTOR USED FOR FPC WITH 0.5 mm CONTACT SPACING (Cat. No. : SFV__R-4ST__HLF) |                          |         |        |
|             |                | dr                 | <i>S. Nishida</i> | 2011-2-10                             | scale       |            | dwg no   |   | sheet 4 of 8             |         | size   |
|             |                | enr                | <i>S. Nishida</i> | 2011-2-10                             | FCI         |            | 10117319 |   |                          |         | A4     |
|             |                | chr                | <i>Y. Kamada</i>  | 2011-2-10                             |             |            | type     |   | Product Customer Drawing |         |        |
|             |                | appd               | <i>M. Iwano</i>   | Feb/11                                |             |            |          |   |                          |         | Rev. A |
| sheet index | revision sheet |                    |                   |                                       |             |            |          |   |                          |         |        |

form: A4



CAT. NO. & DIMENSIONS

| NO. OF CONTACTS (n) | CAT. NO.          | DIMENSIONS (NOTE3) |         |         |
|---------------------|-------------------|--------------------|---------|---------|
|                     |                   | F ± 5              | G ± 0.3 | H ± 0.1 |
| 4                   | SFV 4R-3/4STE1HLF | 20.4               | 16      | —       |
| 5                   | SFV 5R-3/4STE1HLF | 20.4               | 16      | —       |
| 6                   | SFV 6R-3/4STE1HLF | 20.4               | 16      | —       |
| 7                   | SFV 7R-3/4STE1HLF | 28.4               | 24      | —       |
| 8                   | SFV 8R-3/4STE1HLF | 28.4               | 24      | —       |
| 9                   | SFV 9R-3/4STE1HLF | 28.4               | 24      | —       |
| 10                  | SFV10R-3/4STE1HLF | 28.4               | 24      | —       |
| 11                  | SFV11R-3/4STE1HLF | 28.4               | 24      | —       |
| 12                  | SFV12R-3/4STE1HLF | 28.4               | 24      | —       |
| 13                  | SFV13R-3/4STE1HLF | 28.4               | 24      | —       |
| 14                  | SFV14R-3/4STE1HLF | 28.4               | 24      | —       |
| 15                  | SFV15R-3/4STE1HLF | 28.4               | 24      | —       |
| 16                  | SFV16R-3/4STE1HLF | 28.4               | 24      | —       |
| 17                  | SFV17R-3/4STE1HLF | 28.4               | 24      | —       |
| 18                  | SFV18R-3/4STE1HLF | 28.4               | 24      | —       |
| 19                  | SFV19R-3/4STE1HLF | 28.4               | 24      | —       |
| 20                  | SFV20R-3/4STE1HLF | 28.4               | 24      | —       |
| 21                  | SFV21R-3/4STE1HLF | 28.4               | 24      | —       |
| 22                  | SFV22R-3/4STE1HLF | 28.4               | 24      | —       |
| 23                  | SFV23R-3/4STE1HLF | 36.4               | 32      | 28.4    |
| 24                  | SFV24R-3/4STE1HLF | 36.4               | 32      | 28.4    |
| 25                  | SFV25R-3/4STE1HLF | 36.4               | 32      | 28.4    |
| 26                  | SFV26R-3/4STE1HLF | 36.4               | 32      | 28.4    |
| 27                  | SFV27R-3/4STE1HLF | 36.4               | 32      | 28.4    |
| 28                  | SFV28R-3/4STE1HLF | 36.4               | 32      | 28.4    |
| 29                  | SFV29R-3/4STE1HLF | 36.4               | 32      | 28.4    |
| 30                  | SFV30R-3/4STE1HLF | 36.4               | 32      | 28.4    |
| 31                  | SFV31R-3/4STE1HLF | 48.4               | 44      | 40.4    |
| 32                  | SFV32R-3/4STE1HLF | 48.4               | 44      | 40.4    |
| 33                  | SFV33R-3/4STE1HLF | 48.4               | 44      | 40.4    |
| 34                  | SFV34R-3/4STE1HLF | 48.4               | 44      | 40.4    |
| 35                  | SFV35R-3/4STE1HLF | 48.4               | 44      | 40.4    |



NOTES

1. THIS PRODUCT IS THE CONNECTOR USED FOR FPC AND COPES WITH AUTOMATIC MOUNTING (SMT).
2. THIS CATALOG NO. INDICATES PLASTIC TAPE PACKAGED
3. SEE PART DRAWINGS FOR DIMENSIONS F~H.
4. THIS PRODUCT IS THE CONNECTOR WITH CABLE LOCK MECHANISM.



Copyright FCI.

|                    |  |                |  |  |  |   |  |                          |  |  |  |         |  |
|--------------------|--|----------------|--|--|--|---|--|--------------------------|--|--|--|---------|--|
| mat'l. code        |  |                |  | surface ISO 1302 <input checked="" type="checkbox"/> |  | tolerance ISO 406 <input checked="" type="checkbox"/> |  | projection               |  | product family 58EF  |  | CODE JP |  |
| ltr ecn no dr date |  |                |  | tolerances unless otherwise specified                |  | mm  |  | title                    |  | CAT. NO. TABLE FOR PLASTIC TAPE PACKAGED 0.5 mm CONTACT SPACING CONNECTOR (Cat. No. : SFV__R-3/4STE1HLF) |  |         |  |
| A                  |  |                |  | angles linear  |  | scale $\propto$                                       |  | dwg no                   |  | sheet 5 of 8   |  | size A4 |  |
|                    |  |                |  | dr <i>S. Mithal</i> 2011-2-10                        |  |   |  | 10117319                 |  |  |  |         |  |
|                    |  |                |  | enr <i>S. Mithal</i> 2011-2-10                       |  |   |  | Product Customer Drawing |  |  |  |         |  |
|                    |  |                |  | chr <i>V. Ramola</i> 2011-2-10                       |  |   |  |                          |  |  |  |         |  |
|                    |  |                |  | appd <i>MC</i> Feb 10 11                             |  |   |  |                          |  |  |  |         |  |
| sheet index        |  | revision sheet |  |  |  |   |  |                          |  |  |  | Rev. A  |  |



| PT. NO. | PARTS NAME            | CAT. NO.        | MATERIAL          | Q'TY | NOTE   |
|---------|-----------------------|-----------------|-------------------|------|--|
| 1       | REEL                  | —               | CARDBOARD         | 1    | COLOR : WHITE                                |
| 2       | PLASTIC (EMBOSS) TAPE | —               | A-PET             | —    | COLOR : TRANSPARENCY                         |
| 3       | COVER                 | —               | POLYESTER         | —    | COLO : TRANSPARENCY                          |
| 4       | CONNECTOR             | SFV__R-3ST__HLF | SEE ATTACHED DWG. | 3000 | LOWER CONTACT TYPE WITH CABLE LOCK MECHANISM |

NOTES

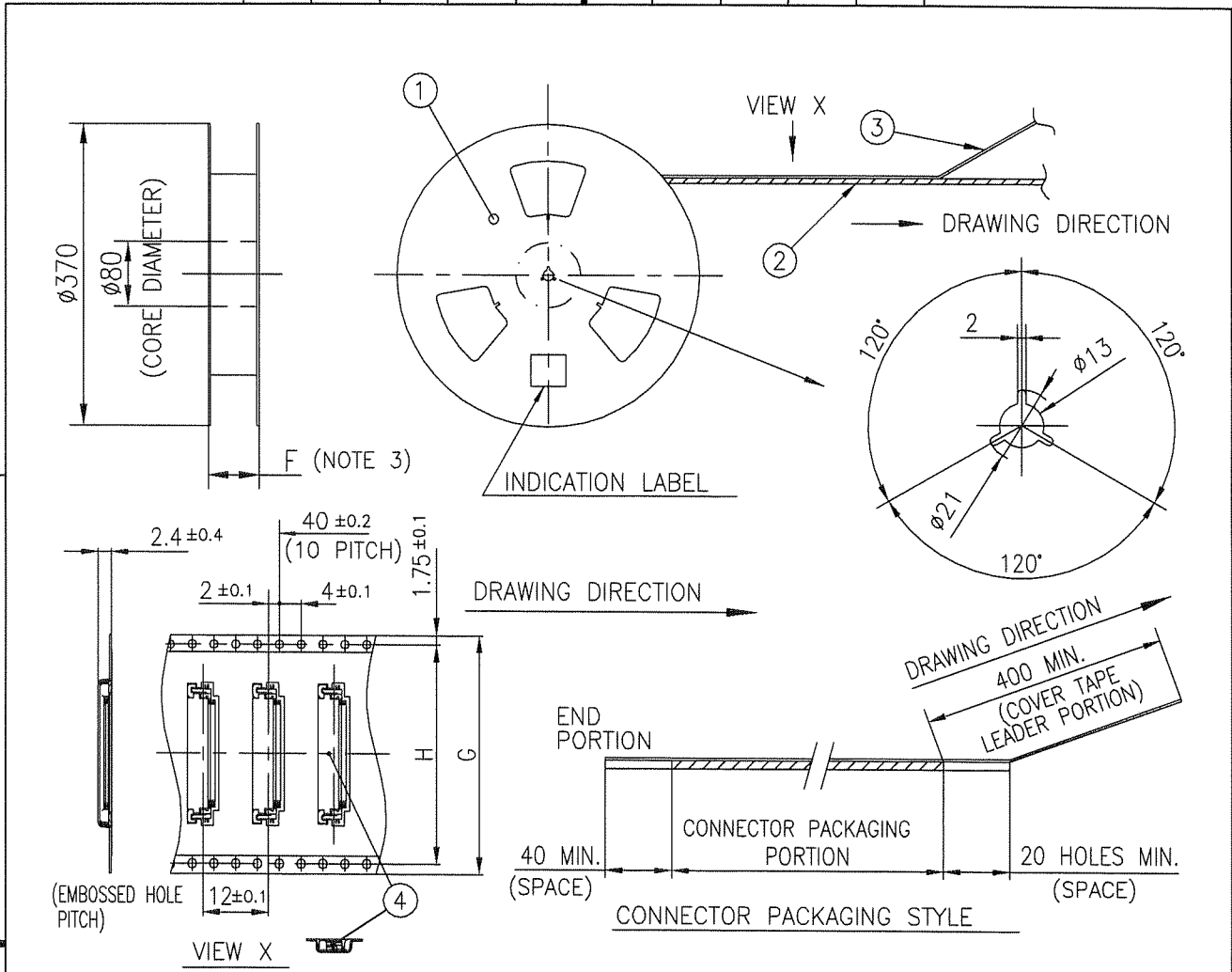
1. THIS IS PLASTIC TAPE PACKAGED CONNECTOR USED FOR FPC AND COPES WITH AUTOMATIC MOUNTING (SMT).
2. SEE JIS C 0806 (PACKING OF ELECTRONIC COMPONENTS ON CONTINUOUS TAPES (SURFACE MOUNTING DEVICES)) FOR SHAPE AND DIMENSIONS OF PLASTIC (EMBOSS) TAPE AND REEL.
3. F DIMENSION IS PORTION OF THE CORE.

|             |  |  |  |   |  |            |  |                                       |  |                                  |  |
|-------------|--|--|--|---|--|------------|--|---------------------------------------|--|----------------------------------|--|
| mat'l. code |  | surface ISO 1302 <input checked="" type="checkbox"/> |  | tolerance ISO 406 <input checked="" type="checkbox"/> |  | projection |  | product family 58EF                   |  | CODE JP                          |  |
| ltr         |  | ecn no   |  | dr  |  | date       |  | tolerances unless otherwise specified |  | title                            |  |
| A           |  |  |  |   |  |            |  | ±5                                    |  | PLASTIC TAPE PACKAGED            |  |
|             |  |  |  | angles  |  |            |  | linear                                |  | 0.5 mm CONTACT SPACING CONNECTOR |  |
|             |  |  |  | ±5'   |  |            |  | mm                                    |  | (Cat. No. : SFV__R-3STE1HLF)     |  |
|             |  |  |  | dr  |  | 2011-2-10  |  | scale $\times$                        |  | dwg no                           |  |
|             |  |  |  | enr   |  | 2011-2-10  |  | FCI                                   |  | sheet 6 of 8                     |  |
|             |  |  |  | chr   |  | 2011-2-10  |  |                                       |  | size                             |  |
|             |  |  |  | appd  |  | Feb 10 11  |  |                                       |  | 10117319                         |  |
| sheet index |  | revision sheet                                       |  |   |  |            |  |                                       |  | type Product Customer Drawing    |  |
| D           |  |  |  |   |  |            |  |                                       |  | Rev. A                           |  |



FCIconnect.com

Copyright FCI.



| PT. NO. | PARTS NAME            | CAT. NO.        | MATERIAL          | Q'TY | NOTE   |
|---------|-----------------------|-----------------|-------------------|------|--|
| 1       | REEL                  | ---             | CARDBOARD         | 1    | COLOR : WHITE                                |
| 2       | PLASTIC (EMBOSS) TAPE | ---             | A-PET             | ---  | COLOR : TRANSPARENCY                         |
| 3       | COVER                 | ---             | POLYESTER         | ---  | COLOR : TRANSPARENCY                         |
| 4       | CONNECTOR             | SFV__R-4ST__HLF | SEE ATTACHED DWG. | 3000 | UPPER CONTACT TYPE WITH CABLE LOCK MECHANISM |

NOTES

- THIS IS PLASTIC TAPE PACKAGED CONNECTOR USED FOR FPC AND COPES WITH AUTOMATIC MOUNTING (SMT).
- SEE JIS C 0806 (PACKING OF ELECTRONIC COMPONENTS ON CONTINUOUS TAPES (SURFACE MOUNTING DEVICES)) FOR SHAPE AND DIMENSIONS OF PLASTIC (EMBOSS) TAPE AND REEL.
- F DIMENSION IS PORTION OF THE CORE.

|             |  |  |  |   |  |                |  |  |  |                               |  |
|-------------|--|--|--|---|--|----------------|--|--|--|-------------------------------|--|
| mat'l. code |  | surface<br>ISO 1302 <input checked="" type="checkbox"/> ISO 406 <input type="checkbox"/> ISO 1101 <input type="checkbox"/> |  | tolerance<br>ISO 406 <input type="checkbox"/> ISO 1101 <input type="checkbox"/> |  | projection<br> |  | product family<br>58EF   |  | CODE<br>JP                    |  |
| ltr         |  | ecn no   |  | dr  |  | date           |  | title<br>PLASTIC TAPE PACKAGED<br>0.5 mm CONTACT SPACING CONNECTOR<br>(Cat. No. : SFV__R-4STE1HLF) |  | dwg no                        |  |
| A           |  |  |  |   |  |                |  | mm   |  | sheet 7 of 8                  |  |
|             |  |  |  | angles<br>linear  |  | ±5             |  | scale $\times$   |  | size<br>A4                    |  |
|             |  |  |  | dr  |  | 2011-2-10      |  |  |  | 10117319                      |  |
|             |  |  |  | enr   |  | 2011-2-10      |  |  |  | type Product Customer Drawing |  |
|             |  |  |  | chr   |  | 2011-2-10      |  |  |  | Rev.                          |  |
|             |  |  |  | appd  |  | Feb 10, 2011   |  |  |  | A                             |  |
| sheet index |  | revision sheet   |  |   |  |                |  |  |  |                               |  |

FCJ  
FCIconnect.com

Copyright FCI.

RECOMMENDED CABLE (FPC)

n : NO. OF CONTACTS



| PT. NO. | PARTS NAME      | MATERIAL                                      | THICKNESS (um) |
|---------|-----------------|---|----------------|
| 1       | BASE FILM       | POLYIMIDE OR POLYESTER OR EQUAL               | 25             |
| 2       | CONDUCTOR       | COPPER FOIL(PLATING : TIN or SOLDER 1um min.) | 35             |
| 3       | OVERLAY         | POLYIMIDE OR POLYESTER OR EQUAL               | —              |
| 4       | SUPPORTING TAPE | POLYESTER OR POLYIMIDE OR EQUAL               | 188            |

NOTES

1. NO BURR AT EACH PORTION.
2. NO PEELING IN COMMON USE.
3. TOTAL THICKNESS LIMIT OF EACH MATERIAL (INCLUDING ADHESIVE AGENT) IS SPECIFIED.
4. THIS DIMENSION INDICATES THE RANGE FOR 0.3±0.035 CONDUCTOR WIDTH.

|             |  |  |  |   |  |            |  |                                 |  |                   |  |
|-------------|--|--|--|---|--|------------|--|---------------------------------|--|-------------------|--|
| mat'l. code |  | surface ISO 1302 <input checked="" type="checkbox"/> |  | tolerance ISO 406 <input checked="" type="checkbox"/> |  | projection |  | product family 58EF             |  | CODE JP           |  |
| ltr         |  | ecn no   |  | dr  |  | date       |  | title                           |  | RECOMMENDED CABLE |  |
| A           |  |  |  |   |  |            |  | (Cat. No. : SFV__R-3/4STB__HLF) |  |                   |  |
|             |  | angles   |  | linear  |  | mm         |  | scale X                         |  | dwg no            |  |
|             |  |  |  |   |  |            |  |                                 |  | sheet 8 of 8      |  |
|             |  | dr   |  | 2011-2-10   |  |            |  | 10117319                        |  | size A4           |  |
|             |  | enrg   |  | 2011-2-10   |  |            |  |                                 |  |                   |  |
|             |  | chr  |  | 2011-2-10   |  |            |  |                                 |  |                   |  |
|             |  | appd   |  | Feb 10 2011   |  |            |  |                                 |  |                   |  |
| sheet index |  | revision sheet                                       |  |   |  |            |  | type Product Customer Drawing   |  | Rev. A            |  |



FCIconnect.com

Copyright FCI.





Компания «ЭлектроПласт» предлагает заключение долгосрочных отношений при поставках импортных электронных компонентов на взаимовыгодных условиях!

Наши преимущества:

- Оперативные поставки широкого спектра электронных компонентов отечественного и импортного производства напрямую от производителей и с крупнейших мировых складов;
- Поставка более 17-ти миллионов наименований электронных компонентов;
- Поставка сложных, дефицитных, либо снятых с производства позиций;
- Оперативные сроки поставки под заказ (от 5 рабочих дней);
- Экспресс доставка в любую точку России;
- Техническая поддержка проекта, помощь в подборе аналогов, поставка прототипов;
- Система менеджмента качества сертифицирована по Международному стандарту ISO 9001;
- Лицензия ФСБ на осуществление работ с использованием сведений, составляющих государственную тайну;
- Поставка специализированных компонентов (Xilinx, Altera, Analog Devices, Intersil, Interpoint, Microsemi, Aeroflex, Peregrine, Syfer, Eurofarad, Texas Instrument, Miteq, Cobham, E2V, MA-COM, Hittite, Mini-Circuits, General Dynamics и др.);

Помимо этого, одним из направлений компании «ЭлектроПласт» является направление «Источники питания». Мы предлагаем Вам помощь Конструкторского отдела:

- Подбор оптимального решения, техническое обоснование при выборе компонента;
- Подбор аналогов;
- Консультации по применению компонента;
- Поставка образцов и прототипов;
- Техническая поддержка проекта;
- Защита от снятия компонента с производства.



#### Как с нами связаться

**Телефон:** 8 (812) 309 58 32 (многоканальный)

**Факс:** 8 (812) 320-02-42

**Электронная почта:** [org@eplast1.ru](mailto:org@eplast1.ru)

**Адрес:** 198099, г. Санкт-Петербург, ул. Калинина, дом 2, корпус 4, литера А.