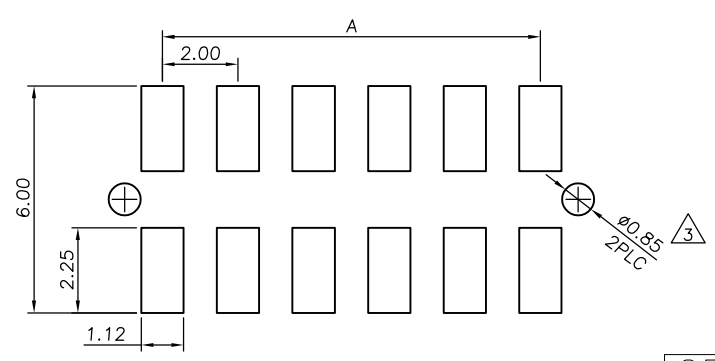
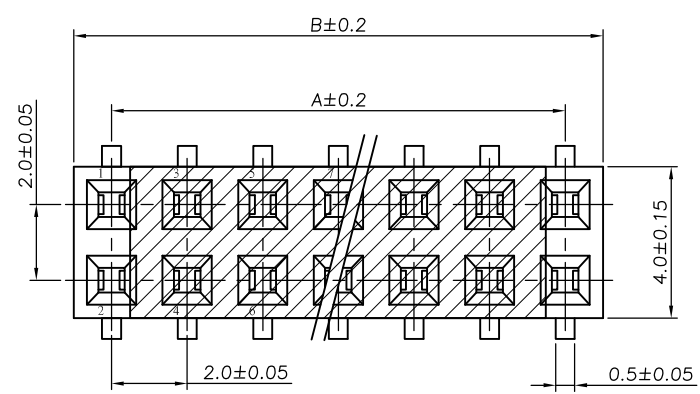
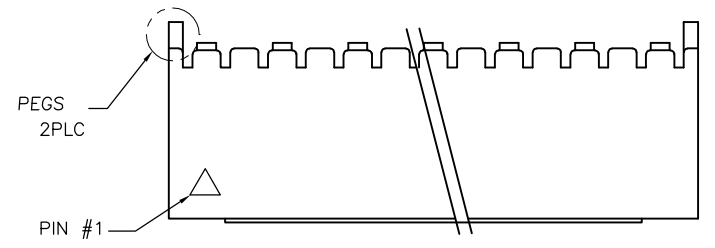
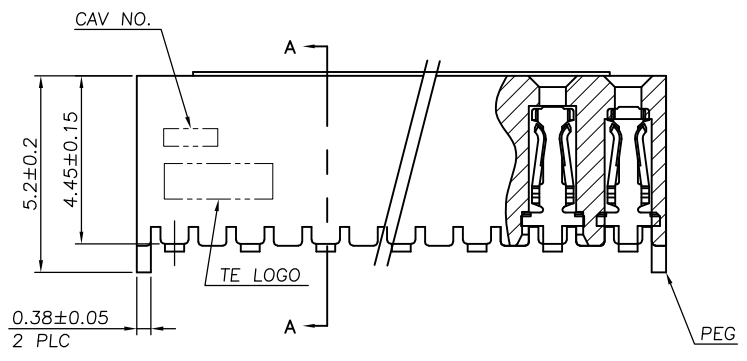
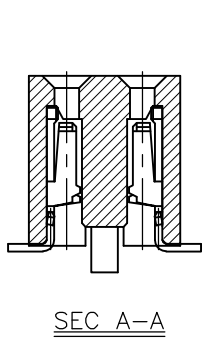


THIS DRAWING IS UNPUBLISHED  
 RELEASED FOR PUBLICATION AUG 2006.  
 ALL RIGHTS RESERVED.

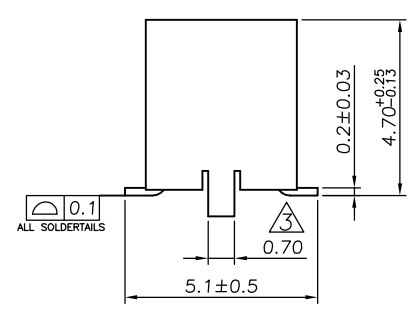
|     |      |           |     |                           |         |     |      |
|-----|------|-----------|-----|---------------------------|---------|-----|------|
| LOC | DIST | REVISIONS |     |                           |         |     |      |
| IR  | -    | P         | LTR | DESCRIPTION               | DATE    | DWN | APVD |
|     |      |           | A4  | REVISED PER ECO-12-013073 | 16JUL12 | KH  | JO   |



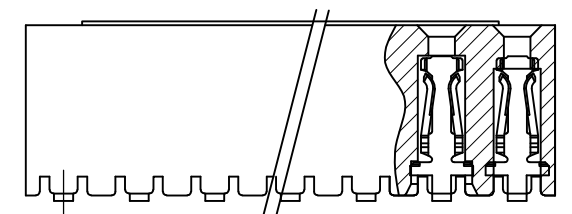
RECOMMENDED PCB LAYOUT



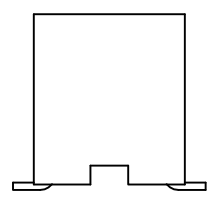
1a



1b



2a



2b

OBSOLETE  
 OBSOLETE  
 OBSOLETE  
 OBSOLETE

OBSOLETE  
 OBSOLETE  
 OBSOLETE  
 OBSOLETE  
 OBSOLETE  
 OBSOLETE  
 OBSOLETE

OBSOLETE  
 OBSOLETE  
 OBSOLETE  
 OBSOLETE  
 OBSOLETE  
 OBSOLETE

OBSOLETE  
 OBSOLETE

OBSOLETE  
 OBSOLETE  
 OBSOLETE

|                          |       |       |             |             |
|--------------------------|-------|-------|-------------|-------------|
| NO, SEE VIEWS<br>2a, 2b  | 38.00 | 40.00 | 40          | 9-1734516-0 |
|                          | 36.00 | 38.00 | 38          | 8-1734516-8 |
|                          | 34.00 | 36.00 | 36          | 8-1734516-6 |
|                          | 32.00 | 34.00 | 34          | 8-1734516-4 |
|                          | 30.00 | 32.00 | 32          | 8-1734516-2 |
|                          | 28.00 | 30.00 | 30          | 8-1734516-0 |
|                          | 26.00 | 28.00 | 28          | 7-1734516-8 |
|                          | 24.00 | 26.00 | 26          | 7-1734516-6 |
|                          | 22.00 | 24.00 | 24          | 7-1734516-4 |
|                          | 20.00 | 22.00 | 22          | 7-1734516-2 |
| YES, SEE VIEWS<br>1a, 1b | 18.00 | 20.00 | 20          | 7-1734516-0 |
|                          | 16.00 | 18.00 | 18          | 6-1734516-8 |
|                          | 14.00 | 16.00 | 16          | 6-1734516-6 |
|                          | 12.00 | 14.00 | 14          | 6-1734516-4 |
|                          | 10.00 | 12.00 | 12          | 6-1734516-2 |
|                          | 8.00  | 10.00 | 10          | 6-1734516-0 |
|                          | 6.00  | 8.00  | 8           | 5-1734516-8 |
|                          | 38.00 | 40.00 | 40          | 4-1734516-0 |
|                          | 36.00 | 38.00 | 38          | 3-1734516-8 |
|                          | 34.00 | 36.00 | 36          | 3-1734516-6 |
| 32.00                    | 34.00 | 34    | 3-1734516-4 |             |
| 30.00                    | 32.00 | 32    | 3-1734516-2 |             |
| 28.00                    | 30.00 | 30    | 3-1734516-0 |             |
| 26.00                    | 28.00 | 28    | 2-1734516-8 |             |
| 24.00                    | 26.00 | 26    | 2-1734516-6 |             |
| 22.00                    | 24.00 | 24    | 2-1734516-4 |             |
| 20.00                    | 22.00 | 22    | 2-1734516-2 |             |
| 18.00                    | 20.00 | 20    | 2-1734516-0 |             |
| 16.00                    | 18.00 | 18    | 1-1734516-8 |             |
| 14.00                    | 16.00 | 16    | 1-1734516-6 |             |
| 12.00                    | 14.00 | 14    | 1-1734516-4 |             |
| 10.00                    | 12.00 | 12    | 1-1734516-2 |             |
| 8.00                     | 10.00 | 10    | 1-1734516-0 |             |
| 6.00                     | 8.00  | 8     | 0-1734516-8 |             |

|                |   |   |                 |             |
|----------------|---|---|-----------------|-------------|
| ALIGNMENT PEGS | A | B | No. of CONTACTS | PART NUMBER |
|----------------|---|---|-----------------|-------------|

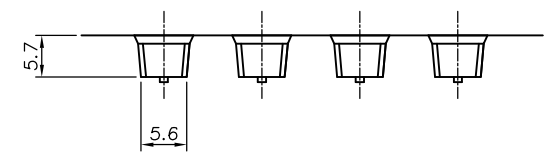
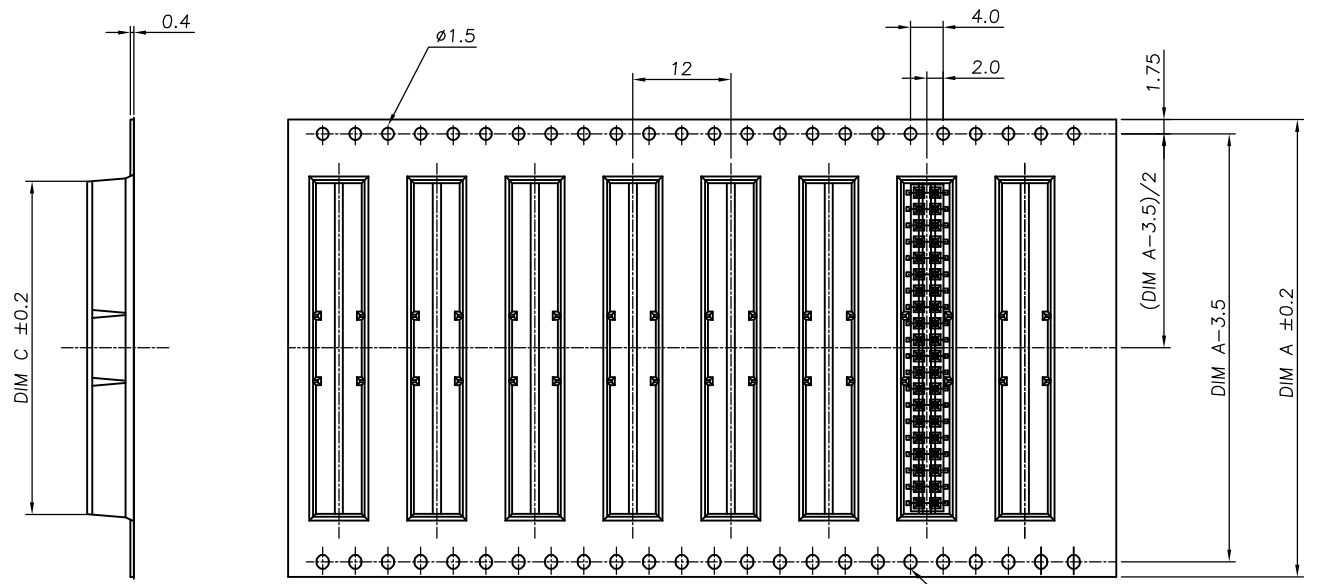
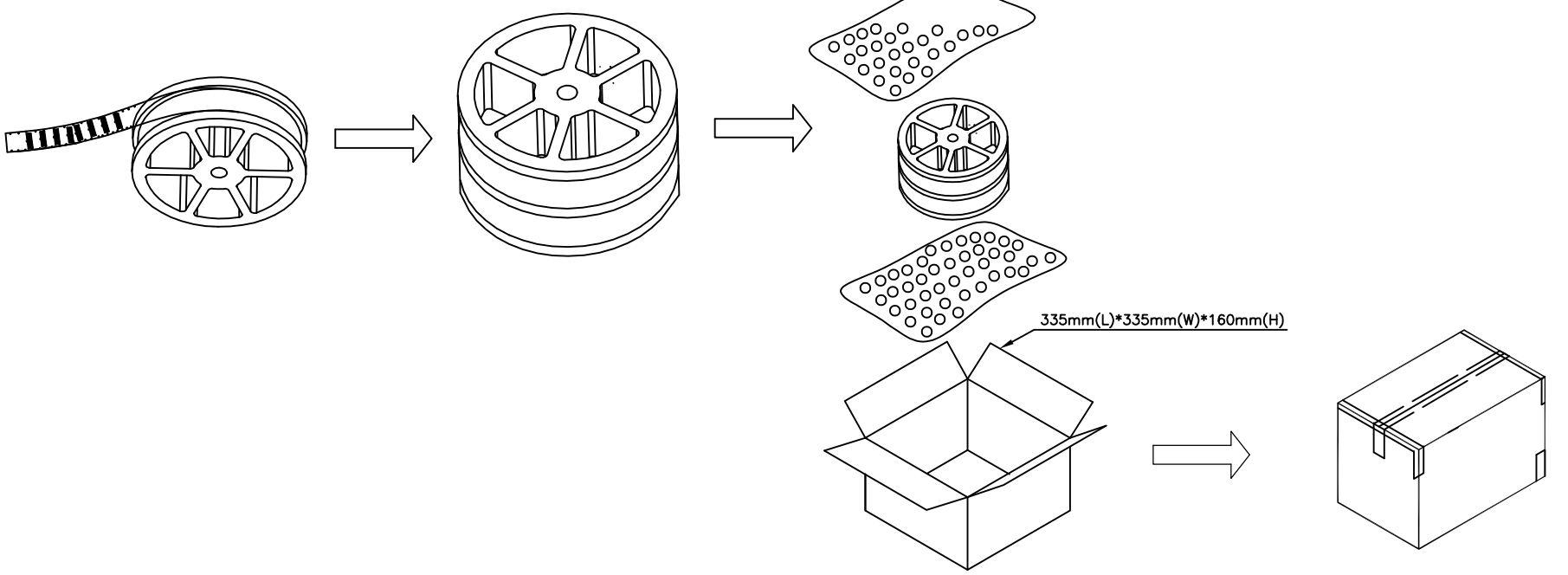
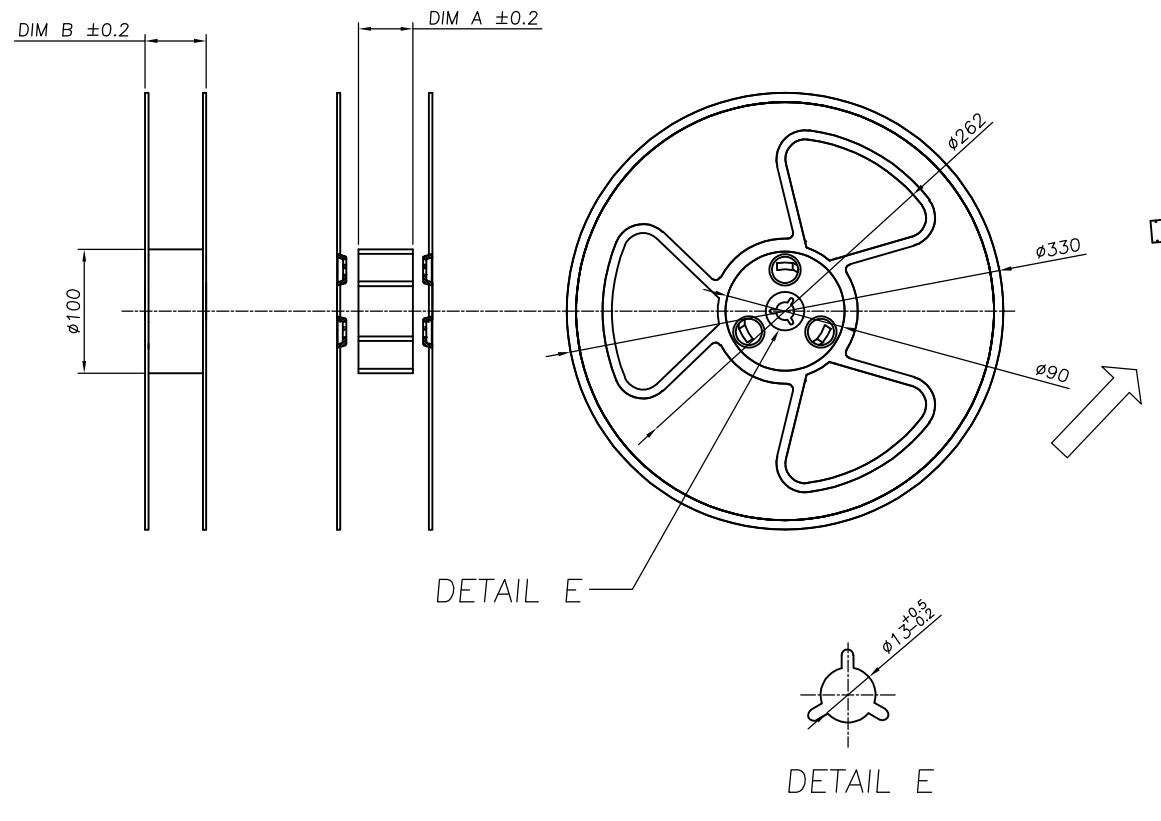
- 1 MATERIAL :  
HOUSING : THERMOPLASTIC, UL94V-0, BLACK COLOR.  
CONTACT : PHOSPHOR BRASS, THICKNESS=0.20MM.
- 2 FINISH :  
30M" MIN. GOLD PLATED ON CONTACT AREA  
100M" MIN. MATTE TIN PLATED ON SOLDER TAIL,  
50M" MIN. NICKEL UNDERPLATED OVER ALL.
- 3 ONLY APPLIES TO  
P/NS. : 0-1734516-8 ~ 4-1734516-0
- 4 REFLOW SOLDER CAPABLE TO 245°C PER TE SPEC 109-201, CONDITION A.
- 5 QUALIFICATION TEST REPORT: 501-57197

|  |        |  |           |   |       |        |       |        |       |        |       |     |        |      |      |
|--|--------|--|-----------|---|-------|--------|-------|--------|-------|--------|-------|-----|--------|------|------|
| THIS DRAWING IS A CONTROLLED DOCUMENT.   |        | DWN                                    | 07APR2006 | <b>STE</b> TE Connectivity                            |       |        |       |        |       |        |       |     |        |      |      |
|  |        | CHK                                    | 07APR2006 |   |       |        |       |        |       |        |       |     |        |      |      |
|  |        | APVD                                   | 07APR2006 |   |       |        |       |        |       |        |       |     |        |      |      |
|  |        | PRODUCT SPEC                           | 108-57197 |   |       |        |       |        |       |        |       |     |        |      |      |
| DIMENSIONS: mm   |        | TOLERANCES UNLESS OTHERWISE SPECIFIED: |           | AMPMODU 2.0mm PITCH, REC<br>CONN, SMT, VERTICAL MOUNT |       |        |       |        |       |        |       |     |        |      |      |
| <table border="1"> <tr><td>0 PLC</td><td>± -</td></tr> <tr><td>1 PLC</td><td>± 0.20</td></tr> <tr><td>2 PLC</td><td>± 0.10</td></tr> <tr><td>3 PLC</td><td>± 0.05</td></tr> <tr><td>4 PLC</td><td>± -</td></tr> <tr><td>ANGLES</td><td>± 3'</td></tr> </table> |        | 0 PLC                                  | ± -       |   | 1 PLC | ± 0.20 | 2 PLC | ± 0.10 | 3 PLC | ± 0.05 | 4 PLC | ± - | ANGLES | ± 3' | NAME |
| 0 PLC  | ± -    |  |           |   |       |        |       |        |       |        |       |     |        |      |      |
| 1 PLC  | ± 0.20 |  |           |   |       |        |       |        |       |        |       |     |        |      |      |
| 2 PLC  | ± 0.10 |  |           |   |       |        |       |        |       |        |       |     |        |      |      |
| 3 PLC  | ± 0.05 |  |           |   |       |        |       |        |       |        |       |     |        |      |      |
| 4 PLC  | ± -    |  |           |   |       |        |       |        |       |        |       |     |        |      |      |
| ANGLES   | ± 3'   |  |           |   |       |        |       |        |       |        |       |     |        |      |      |
| MATERIAL   |        | FINISH                                 |           | SIZE  |       |        |       |        |       |        |       |     |        |      |      |
| 1  |        | 2                                      |           | A3  |       |        |       |        |       |        |       |     |        |      |      |
|  |        | WEIGHT                                 |           | CAGE CODE   |       |        |       |        |       |        |       |     |        |      |      |
|  |        | -                                      |           | 00779   |       |        |       |        |       |        |       |     |        |      |      |
| CUSTOMER DRAWING   |        | DRAWING NO                             |           | RESTRICTED TO   |       |        |       |        |       |        |       |     |        |      |      |
|  |        | C-1734516                              |           | -   |       |        |       |        |       |        |       |     |        |      |      |
|  |        | SCALE                                  |           | SHEET   |       |        |       |        |       |        |       |     |        |      |      |
|  |        | 5:1                                    |           | 1 OF 2  |       |        |       |        |       |        |       |     |        |      |      |
|  |        | REV                                    |           | A4  |       |        |       |        |       |        |       |     |        |      |      |

THIS DRAWING IS UNPUBLISHED  
 © COPYRIGHT 2006 By -  
 ALL RIGHTS RESERVED.

RELEASED FOR PUBLICATION  
 AUG 2006.

| LOC | DIST | REVISIONS   |      |     |      |
|-----|------|-------------|------|-----|------|
| P   | LTR  | DESCRIPTION | DATE | DWN | APVD |
| IR  | -    | SEE SHEET 1 | -    | -   | -    |



| DIM B               | DIM A (REEL WIDTH)  | PCS/CARTON       | PCS/REEL       | No. of Contacts | PART NO.               |
|---------------------|---------------------|------------------|----------------|-----------------|------------------------|
| <del>61</del>       | <del>56</del>       | <del>1,800</del> | <del>900</del> | <del>40</del>   | <del>9-1734516-0</del> |
| <del>OBSOLETE</del> | <del>OBSOLETE</del> | <del>1,800</del> | <del>900</del> | <del>38</del>   | <del>8-1734516-8</del> |
| <del>OBSOLETE</del> | <del>OBSOLETE</del> | <del>1,800</del> | <del>900</del> | <del>36</del>   | <del>8-1734516-6</del> |
| <del>OBSOLETE</del> | <del>OBSOLETE</del> | <del>1,800</del> | <del>900</del> | <del>34</del>   | <del>8-1734516-4</del> |
| <del>OBSOLETE</del> | <del>OBSOLETE</del> | <del>1,800</del> | <del>900</del> | <del>32</del>   | <del>8-1734516-2</del> |
| <del>OBSOLETE</del> | <del>OBSOLETE</del> | <del>1,800</del> | <del>900</del> | <del>30</del>   | <del>8-1734516-0</del> |
| <del>OBSOLETE</del> | <del>OBSOLETE</del> | <del>1,800</del> | <del>900</del> | <del>28</del>   | <del>7-1734516-8</del> |
| <del>OBSOLETE</del> | <del>OBSOLETE</del> | <del>1,800</del> | <del>900</del> | <del>26</del>   | <del>7-1734516-6</del> |
| <del>OBSOLETE</del> | <del>OBSOLETE</del> | <del>2,700</del> | <del>900</del> | <del>24</del>   | <del>7-1734516-4</del> |
| <del>OBSOLETE</del> | <del>OBSOLETE</del> | <del>2,700</del> | <del>900</del> | <del>22</del>   | <del>7-1734516-2</del> |
| <del>OBSOLETE</del> | <del>OBSOLETE</del> | <del>2,700</del> | <del>900</del> | <del>20</del>   | <del>7-1734516-0</del> |
| <del>OBSOLETE</del> | <del>OBSOLETE</del> | <del>2,700</del> | <del>900</del> | <del>18</del>   | <del>6-1734516-8</del> |
| <del>OBSOLETE</del> | <del>OBSOLETE</del> | <del>2,700</del> | <del>900</del> | <del>16</del>   | <del>6-1734516-6</del> |
| <del>OBSOLETE</del> | <del>OBSOLETE</del> | <del>2,700</del> | <del>900</del> | <del>14</del>   | <del>6-1734516-4</del> |
| <del>OBSOLETE</del> | <del>OBSOLETE</del> | <del>2,700</del> | <del>900</del> | <del>12</del>   | <del>6-1734516-2</del> |
| <del>OBSOLETE</del> | <del>OBSOLETE</del> | <del>2,700</del> | <del>900</del> | <del>10</del>   | <del>6-1734516-0</del> |
| <del>OBSOLETE</del> | <del>OBSOLETE</del> | <del>2,700</del> | <del>900</del> | <del>8</del>    | <del>5-1734516-8</del> |
| <del>OBSOLETE</del> | <del>OBSOLETE</del> | <del>1,800</del> | <del>900</del> | <del>40</del>   | <del>4-1734516-0</del> |
| <del>OBSOLETE</del> | <del>OBSOLETE</del> | <del>1,800</del> | <del>900</del> | <del>38</del>   | <del>3-1734516-8</del> |
| <del>OBSOLETE</del> | <del>OBSOLETE</del> | <del>1,800</del> | <del>900</del> | <del>36</del>   | <del>3-1734516-6</del> |
| <del>OBSOLETE</del> | <del>OBSOLETE</del> | <del>1,800</del> | <del>900</del> | <del>34</del>   | <del>3-1734516-4</del> |
| <del>OBSOLETE</del> | <del>OBSOLETE</del> | <del>1,800</del> | <del>900</del> | <del>32</del>   | <del>3-1734516-2</del> |
| <del>OBSOLETE</del> | <del>OBSOLETE</del> | <del>1,800</del> | <del>900</del> | <del>30</del>   | <del>3-1734516-0</del> |
| <del>OBSOLETE</del> | <del>OBSOLETE</del> | <del>1,800</del> | <del>900</del> | <del>28</del>   | <del>2-1734516-8</del> |
| <del>OBSOLETE</del> | <del>OBSOLETE</del> | <del>1,800</del> | <del>900</del> | <del>26</del>   | <del>2-1734516-6</del> |
| <del>OBSOLETE</del> | <del>OBSOLETE</del> | <del>2,700</del> | <del>900</del> | <del>24</del>   | <del>2-1734516-4</del> |
| <del>OBSOLETE</del> | <del>OBSOLETE</del> | <del>2,700</del> | <del>900</del> | <del>22</del>   | <del>2-1734516-2</del> |
| <del>OBSOLETE</del> | <del>OBSOLETE</del> | <del>2,700</del> | <del>900</del> | <del>20</del>   | <del>2-1734516-0</del> |
| <del>OBSOLETE</del> | <del>OBSOLETE</del> | <del>2,700</del> | <del>900</del> | <del>18</del>   | <del>1-1734516-8</del> |
| <del>OBSOLETE</del> | <del>OBSOLETE</del> | <del>2,700</del> | <del>900</del> | <del>16</del>   | <del>1-1734516-6</del> |
| <del>OBSOLETE</del> | <del>OBSOLETE</del> | <del>2,700</del> | <del>900</del> | <del>14</del>   | <del>1-1734516-4</del> |
| <del>OBSOLETE</del> | <del>OBSOLETE</del> | <del>2,700</del> | <del>900</del> | <del>12</del>   | <del>1-1734516-2</del> |
| <del>OBSOLETE</del> | <del>OBSOLETE</del> | <del>2,700</del> | <del>900</del> | <del>10</del>   | <del>1-1734516-0</del> |
| <del>OBSOLETE</del> | <del>OBSOLETE</del> | <del>2,700</del> | <del>900</del> | <del>8</del>    | <del>0-1734516-8</del> |

THIS DRAWING IS A CONTROLLED DOCUMENT.

|                         |   |   |   |                    |                         |                    |
|-------------------------|---|---|---|--------------------|-------------------------|--------------------|
| DIMENSIONS:<br>mm       | TOLERANCES UNLESS OTHERWISE SPECIFIED:<br>0 PLC ± -<br>1 PLC ± 0.20<br>2 PLC ± 0.10<br>3 PLC ± 0.05<br>4 PLC ± -<br>ANGLES ± 3' | DWN O.HU 07APR2006<br>CHK S.HOU 07APR2006<br>APVD W.J.KE 07APR2006<br>PRODUCT SPEC<br>108-57197<br>APPLICATION SPEC | TE Connectivity<br>AMPMODU 2.0mm PITCH, REC CONN, SMT, VERTICAL MOUNT |                    |                         |                    |
| MATERIAL<br>SEE SHEET 1 | FINISH<br>SEE SHEET 1   | WEIGHT<br>-   | SIZE<br>A3  | CAGE CODE<br>00779 | DRAWING NO<br>C-1734516 | RESTRICTED TO<br>- |
| CUSTOMER DRAWING        |   |   | SCALE<br>5:1  | SHEET<br>2 OF 2    | REV<br>A4               |                    |



Компания «ЭлектроПласт» предлагает заключение долгосрочных отношений при поставках импортных электронных компонентов на взаимовыгодных условиях!

Наши преимущества:

- Оперативные поставки широкого спектра электронных компонентов отечественного и импортного производства напрямую от производителей и с крупнейших мировых складов;
- Поставка более 17-ти миллионов наименований электронных компонентов;
- Поставка сложных, дефицитных, либо снятых с производства позиций;
- Оперативные сроки поставки под заказ (от 5 рабочих дней);
- Экспресс доставка в любую точку России;
- Техническая поддержка проекта, помощь в подборе аналогов, поставка прототипов;
- Система менеджмента качества сертифицирована по Международному стандарту ISO 9001;
- Лицензия ФСБ на осуществление работ с использованием сведений, составляющих государственную тайну;
- Поставка специализированных компонентов (Xilinx, Altera, Analog Devices, Intersil, Interpoint, Microsemi, Aeroflex, Peregrine, Syfer, Eurofarad, Texas Instrument, Miteq, Cobham, E2V, MA-COM, Hittite, Mini-Circuits, General Dynamics и др.);

Помимо этого, одним из направлений компании «ЭлектроПласт» является направление «Источники питания». Мы предлагаем Вам помощь Конструкторского отдела:

- Подбор оптимального решения, техническое обоснование при выборе компонента;
- Подбор аналогов;
- Консультации по применению компонента;
- Поставка образцов и прототипов;
- Техническая поддержка проекта;
- Защита от снятия компонента с производства.



#### Как с нами связаться

**Телефон:** 8 (812) 309 58 32 (многоканальный)

**Факс:** 8 (812) 320-02-42

**Электронная почта:** [org@eplast1.ru](mailto:org@eplast1.ru)

**Адрес:** 198099, г. Санкт-Петербург, ул. Калинина, дом 2, корпус 4, литера А.