

**PI6C49X0204A**

**Low Skew 1 TO 4 Clock Buffer**

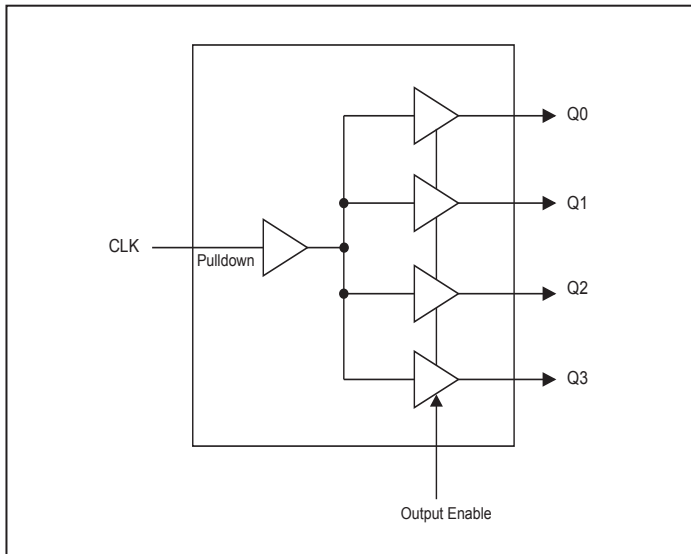
**Features**

- Low skew outputs (250 ps)
- Low power CMOS technology
- Operating Voltages of 1.5 V to 3.3 V
- Output Enable pin tri-states outputs
- 3.6 V tolerant input clock
- Industrial temperature ranges
- Totally Lead-Free & Fully RoHS Compliant (Notes 1 & 2)
- Halogen and Antimony Free. “Green” Device (Note 3)
- Packaged: 8-pin SOIC

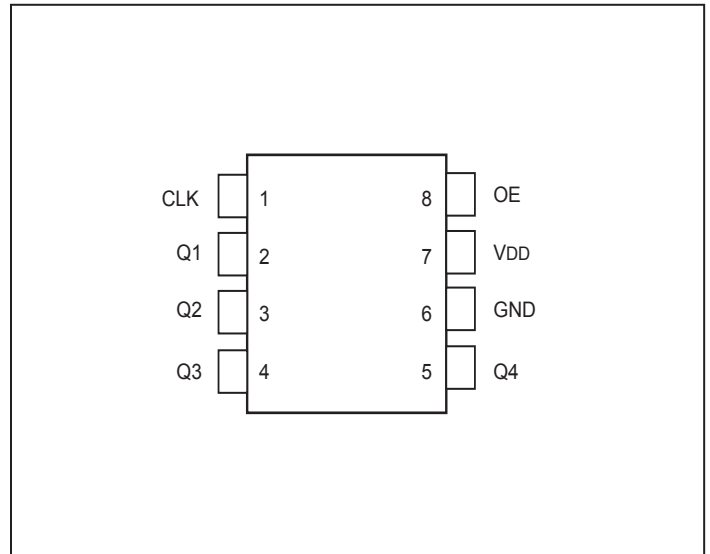
**Description**

The PI6C49X0204A is a low skew, single input to four output, clock buffer. Perfect for fanning out multiple clock outputs.

**Block Diagram**



**Pin Configuration**



Notes:

1. No purposely added lead. Fully EU Directive 2002/95/EC (RoHS), 2011/65/EU (RoHS 2) & 2015/863/EU (RoHS 3) compliant.
2. See <https://www.diodes.com/quality/lead-free/> for more information about Diodes Incorporated’s definitions of Halogen- and Antimony-free, “Green” and Lead-free.
3. Halogen- and Antimony-free “Green” products are defined as those which contain <900ppm bromine, <900ppm chlorine (<1500ppm total Br + Cl) and <1000ppm antimony compounds.

## Pin Descriptions

| Pin# | Pin Name | Pin Type | Pin Description  |
|------|----------|----------|--|
| 1    | CLK      | Input    | Clock Input. 3.3 V tolerant input. Internal 51k $\Omega$ pull down resistor.     |
| 2    | Q1       | Output   | Clock Output 1.  |
| 3    | Q2       | Output   | Clock Output 2.  |
| 4    | Q3       | Output   | Clock Output 3.  |
| 5    | Q4       | Output   | Clock Output 4.  |
| 6    | GND      | Power    | Connect to ground.   |
| 7    | VDD      | Power    | Connect to 1.5 V, 1.8V, 2.5V or 3.3V.  |
| 8    | OE       | Input    | Output Enable. Tri-states outputs when low. Connect to VDD for normal operation. |

## External Components

A minimum number of external components are required for proper operation. A decoupling capacitor of 0.01  $\mu$ F should be connected between VDD on pin 7 and GND on pin 6, as close to the device as possible. A 33  $\Omega$  series terminating resistor may be used on each clock output if the trace is longer than 1 inch.

## Maximum Ratings

|  |                            |
|--|----------------------------|
| Supply Voltage, VDD                        | 4.6V                       |
| Output Enable and All Outputs              | -0.5 V to VDD+0.5 V        |
| CLK  | -0.5 V to 3.6 V (VDD > 0V) |
| Ambient Operating Temperature (industrial) | -40 to +85 °C              |
| Storage Temperature                        | -65 to +150°C              |
| Soldering Temperature                      | 260°C                      |
| ESD Protection (HBM)                       | 2000 V                     |

Note:

Stresses above the ratings listed below can cause permanent damage to the PI6C49X0204A. Functional operation of the device at these or any other conditions above those indicated in the operational sections of the specifications is not implied.

Exposure to absolute maximum rating conditions for extended periods can affect product reliability. Electrical parameters are guaranteed only over the recommended operating temperature range.

## Recommended Operation Conditions

| Parameter   | Min.   | Typ. | Max. | Units |
|---|--------|------|------|-------|
| Ambient Operating Temperature (industrial)        | -40    |      | +85  | °C    |
| Power Supply Voltage (measured in respect to GND) | +1.425 |      | +3.6 | V     |

## DC ELECTRICAL CHARACTERISTICS

**VDD = 1.5 V ±5%**, Ambient temperature -40 to +85° C, unless stated otherwise

| Symbol          | Parameter                | Conditions              | Min.  | Typ. | Max.  | Units |
|-----------------|--------------------------|-------------------------|-------|------|-------|-------|
| VDD             | Operating Voltage        |                         | 1.425 | 1.5  | 1.575 | V     |
| V <sub>IH</sub> | Input High Voltage       | Note 1, CLK             | 1.17  |      | 3.6   | V     |
| V <sub>IL</sub> | Input Low Voltage        | Note 1, CLK             |       |      | 0.575 | V     |
| I <sub>IH</sub> | Input High Current       | Note 1, CLK, OE         |       |      | 40    | μA    |
| I <sub>IL</sub> | Input Low Current        | Note 1, CLK, OE         |       |      | 1     | μA    |
| V <sub>OH</sub> | Output High Voltage      | I <sub>OH</sub> = -6 mA | 0.95  |      |       | V     |
| V <sub>OL</sub> | Output Low Voltage       | I <sub>OL</sub> = 6 mA  |       |      | 0.45  | V     |
| IDD             | Operating Supply Current | No load, 133 MHz        |       |      | 9     | mA    |
| Z <sub>O</sub>  | Nominal Output Impedance |                         |       | 20   |       | Ω     |
| C <sub>IN</sub> | Input Capacitance        | CLK, OE pin             |       | 5    |       | pF    |
| I <sub>OS</sub> | Short Circuit Current    |                         |       | ±12  |       | mA    |

Notes: 1. Nominal switching threshold is VDD/2

## DC ELECTRICAL CHARACTERISTICS CONT.

**VDD=1.8 V ±5%**, Ambient temperature -40 to +85° C, unless stated otherwise

| Symbol          | Parameter                | Conditions              | Min. | Typ. | Max. | Units |
|-----------------|--------------------------|-------------------------|------|------|------|-------|
| VDD             | Operating Voltage        |                         | 1.7  | 1.8  | 1.89 | V     |
| V <sub>IH</sub> | Input High Voltage       | Note 1, CLK             | 1.7  |      | 3.6  | V     |
| V <sub>IL</sub> | Input Low Voltage        | Note 1, CLK             |      |      | 0.6  | V     |
| I <sub>IH</sub> | Input High Current       | Note 1, CLK, OE         |      |      | 50   | μA    |
| I <sub>IL</sub> | Input Low Current        | Note 1, CLK, OE         |      |      | 1    | μA    |
| V <sub>OH</sub> | Output High Voltage      | I <sub>OH</sub> = -8 mA | 1.4  |      |      | V     |
| V <sub>OL</sub> | Output Low Voltage       | I <sub>OL</sub> = 8 mA  |      |      | 0.4  | V     |
| IDD             | Operating Supply Current | No load, 133 MHz        |      |      | 11   | mA    |
| Z <sub>O</sub>  | Nominal Output Impedance |                         |      | 20   |      | Ω     |
| C <sub>IN</sub> | Input Capacitance        | CLK, OE pin             |      | 5    |      | pF    |
| I <sub>OS</sub> | Short Circuit Current    |                         |      | ±20  |      | mA    |

Notes: 1. Nominal switching threshold is VDD/2

**VDD=2.5 V ±5%**, Ambient temperature -40 to +85° C, unless stated otherwise

| Symbol          | Parameter                | Conditions              | Min.  | Typ. | Max.  | Units |
|-----------------|--------------------------|-------------------------|-------|------|-------|-------|
| VDD             | Operating Voltage        |                         | 2.375 | 2.5  | 2.625 | V     |
| V <sub>IH</sub> | Input High Voltage       | Note 1, CLK             | 1.7   |      | 3.6   | V     |
| V <sub>IL</sub> | Input Low Voltage        | Note 1, CLK             |       |      | 0.7   | V     |
| I <sub>IH</sub> | Input High Current       | Note 1, CLK, OE         |       |      | 60    | μA    |
| I <sub>IL</sub> | Input Low Current        | Note 1, CLK, OE         |       |      | 3     | μA    |
| V <sub>OH</sub> | Output High Voltage      | I <sub>OH</sub> = -8 mA | 2     |      |       | V     |
| V <sub>OL</sub> | Output Low Voltage       | I <sub>OL</sub> = 8 mA  |       |      | 0.4   | V     |
| IDD             | Operating Supply Current | No load, 133 MHz        |       |      | 15    | mA    |
| Z <sub>O</sub>  | Nominal Output Impedance |                         |       | 20   |       | Ω     |
| C <sub>IN</sub> | Input Capacitance        | CLK, OE pin             |       | 5    |       | pF    |
| I <sub>OS</sub> | Short Circuit Current    |                         |       | ±50  |       | mA    |

Notes: 1. Nominal switching threshold is VDD/2

## DC ELECTRICAL CHARACTERISTICS CONT.

**VDD=3.3 V ±10%**, Ambient temperature -40 to +85° C, unless stated otherwise

| Symbol          | Parameter                | Conditions              | Min. | Typ. | Max. | Units |
|-----------------|--------------------------|-------------------------|------|------|------|-------|
| VDD             | Operating Voltage        |                         | 3.0  | 3.3  | 3.6  | V     |
| V <sub>IH</sub> | Input High Voltage       | Note 1, CLK             | 2.1  |      | 3.6  | V     |
| V <sub>IL</sub> | Input Low Voltage        | Note 1, CLK             |      |      | 0.7  | V     |
| I <sub>IH</sub> | Input High Current       | Note 1, CLK, OE         |      |      | 85   | μA    |
| I <sub>IL</sub> | Input Low Current        | Note 1, CLK, OE         |      |      | 1    | μA    |
| V <sub>OH</sub> | Output High Voltage      | I <sub>OH</sub> = -8 mA | 2.8  |      |      | V     |
| V <sub>OL</sub> | Output Low Voltage       | I <sub>OL</sub> = 8 mA  |      |      | 0.2  | V     |
| IDD             | Operating Supply Current | No load, 133 MHz        |      |      | 21   | mA    |
| Z <sub>O</sub>  | Nominal Output Impedance |                         |      | 20   |      | Ω     |
| C <sub>IN</sub> | Input Capacitance        | CLK, OE pin             |      | 5    |      | pF    |
| I <sub>OS</sub> | Short Circuit Current    |                         |      | ±50  |      | mA    |

Notes: 1. Nominal switching threshold is VDD/2

## AC ELECTRICAL CHARACTERISTICS

**VDD=1.5 V ±5%**, Ambient temperature -40 to +85° C, unless stated otherwise

| Symbol           | Parameter                     | Conditions            | Min. | Typ. | Max. | Units |
|------------------|-------------------------------|-----------------------|------|------|------|-------|
| F <sub>OUT</sub> | Output Frequency              |                       | 0    |      | 166  | MHz   |
| t <sub>OR</sub>  | Output Rise Time              | 20% to 80%            |      | 1.0  | 1.5  | ns    |
| t <sub>OF</sub>  | Output Fall Time              | 20% to 80%            |      | 1.0  | 1.5  | ns    |
| T <sub>PD</sub>  | Propagation Delay (Note1)     |                       | 2    | 3    | 5    | ns    |
| T <sub>SK</sub>  | Output to Output Skew (Note2) | Rising edges at VDD/2 |      | 0    | ±250 | ps    |

**VDD=1.8 V ±5%**, Ambient temperature -40 to +85° C, unless stated otherwise

| Symbol           | Parameter                     | Conditions               | Min. | Typ. | Max. | Units |
|------------------|-------------------------------|--------------------------|------|------|------|-------|
| F <sub>OUT</sub> | Output Frequency              |                          | 0    |      | 166  | MHz   |
| t <sub>OR</sub>  | Output Rise Time              | 20% to 80%               |      | 1.0  | 1.5  | ns    |
| t <sub>OF</sub>  | Output Fall Time              | 20% to 80%               |      | 1.0  | 1.5  | ns    |
| T <sub>PD</sub>  | Propagation Delay (Note1)     |                          | 1.3  | 2    | 4    | ns    |
| T <sub>SK</sub>  | Output to Output Skew (Note2) | Rising edges at VDD/2    |      | 0    | ±250 | ps    |
| J <sub>ADD</sub> | Additive Jitter               | @156.25MHz, 12k to 20MHz |      | 0.1  |      | ps    |

## AC ELECTRICAL CHARACTERISTICS CONT.

**VDD=2.5 V ±5%**, Ambient temperature -40 to +85° C, unless stated otherwise

| Symbol           | Parameter                     | Conditions               | Min. | Typ. | Max. | Units |
|------------------|-------------------------------|--------------------------|------|------|------|-------|
| F <sub>OUT</sub> | Output Frequency              |                          | 0    |      | 200  | MHz   |
| t <sub>OR</sub>  | Output Rise Time              | 20% TO 80%               |      | 1.0  | 1.5  | ns    |
| t <sub>OF</sub>  | Output Fall Time              | 20% TO 80%               |      | 1.0  | 1.5  | ns    |
| T <sub>PD</sub>  | Propagation Delay (Note1)     |                          | 0.8  | 1.5  | 3    | ns    |
| T <sub>SK</sub>  | Output to Output Skew (Note2) | Rising edges at VDD/2    |      | 0    | ±250 | ps    |
| J <sub>ADD</sub> | Additive Jitter               | @156.25MHz, 12k to 20MHz |      | 0.05 |      | ps    |

Notes:

1. With rail to rail input clock
2. Between any 2 outputs with equal loading.

**VDD=3.3 V ±10%**, Ambient temperature -40 to +85° C, unless stated otherwise

| Symbol           | Parameter                     | Conditions               | Min. | Typ. | Max. | Units |
|------------------|-------------------------------|--------------------------|------|------|------|-------|
| F <sub>OUT</sub> | Output Frequency              |                          | 0    |      | 200  | MHz   |
| t <sub>OR</sub>  | Output Rise Time              | 20% TO 80%               |      | 1.0  | 1.5  | ns    |
| t <sub>OF</sub>  | Output Fall Time              | 20% TO 80%               |      | 1.0  | 1.5  | ns    |
| T <sub>PD</sub>  | Propagation Delay (Note1)     |                          | 0.8  | 1.0  | 2.5  | ns    |
| T <sub>SK</sub>  | Output to Output Skew (Note2) | Rising edges at VDD/2    |      | 0    | ±250 | ps    |
| J <sub>ADD</sub> | Additive Jitter               | @156.25MHz, 12k to 20MHz |      | 0.05 |      | ps    |

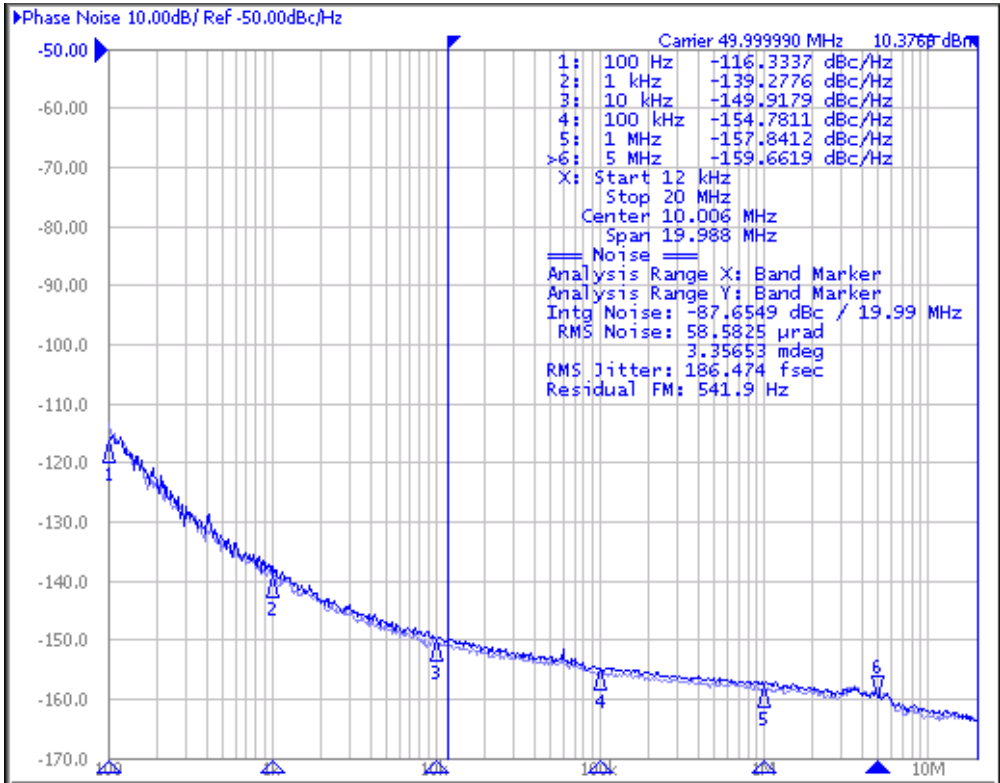
Notes:

1. With rail to rail input clock
2. Between any 2 outputs with equal loading.

## THERMAL CHARACTERISTICS

| Symbol          | Parameter                              | Conditions | Min. | Typ. | Max. | Units |
|-----------------|--|------------|------|------|------|-------|
| θ <sub>JA</sub> | Thermal Resistance Junction to Ambient | Still air  |      | 157  |      | °C/W  |
| θ <sub>JC</sub> | Thermal Resistance Junction to Case    |            |      | 42   |      | °C/W  |

**Phase Noise Plot**



## Application Information

### Suggest for Unused Inputs and Outputs

#### LVC MOS Input Control Pins

It is suggested to add pull-up=4.7k and pull-down=1k for LVC MOS pins even though they have internal pull-up/down but with much higher value (>=50k) for higher design reliability.

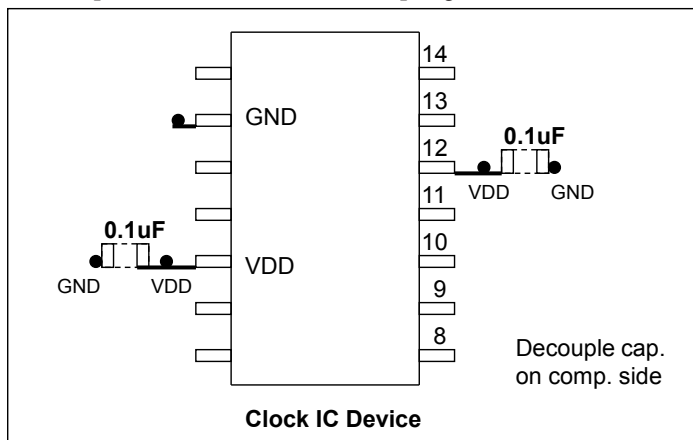
#### Outputs

All unused outputs are suggested to be left open and not connected to any trace. This can lower the IC power consumption.

### Power Decoupling & Routing

#### VDD Pin Decoupling

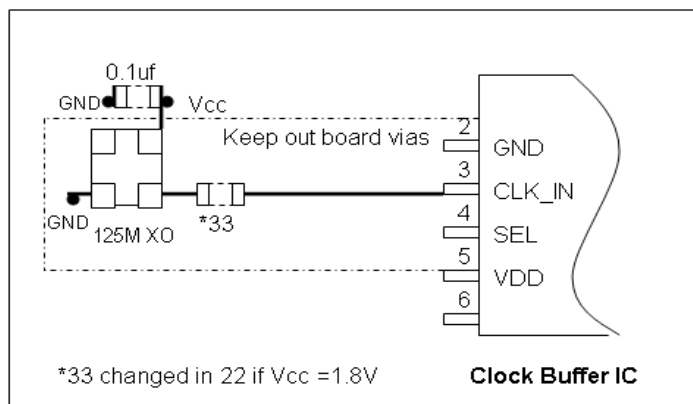
Each VDD pin must have a 0.1uF decoupling capacitor. For better decoupling, 1uF can be used. Locating the decoupling capacitor on the component side has better decoupling filter result as shown.



Placement of Decoupling Caps

#### CMOS Clock Trace Routing

Please ensure that there is a sufficient keep-out area to the adjacent trace (>20mil.). In an example using a 125MHz XO driving a buffer IC, it is better to route the clock trace on the component side with a 33 ohm termination resistor.

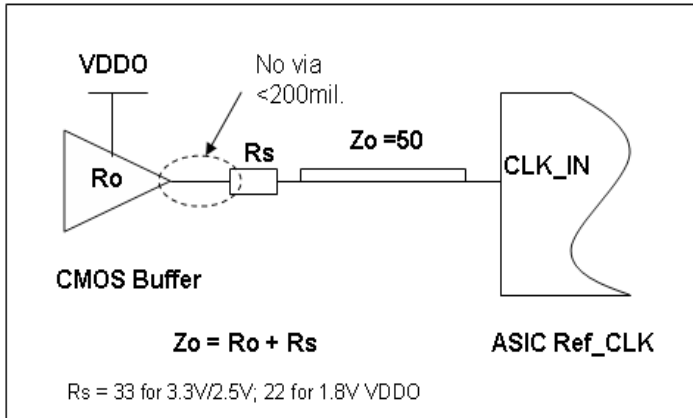




## CMOS Output Termination

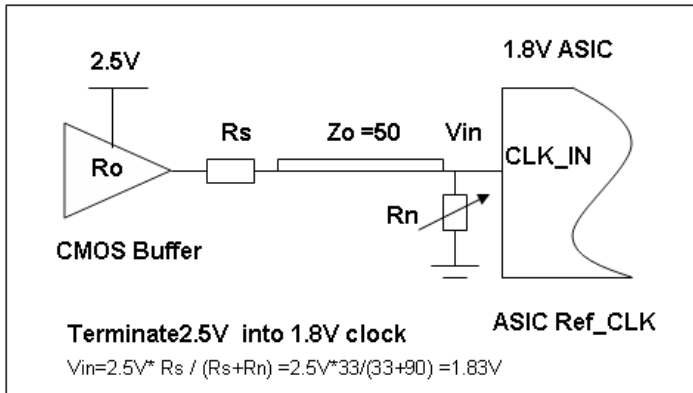
### Popular CMOS Output Termination

The most popular CMOS termination is a serial resistor close to the output pin (<=200mil). It is simple and balances the drive strength. The resistor's value can be fine tuned for best performance during board bring-up based on VDDO voltage used.



### Combining Serial and Parallel Termination

Designers can also use a parallel termination for CMOS outputs. For example, a 50 ohm pull-down resistor can be used at the Rx side to reduce signal reflection, but it reduces the signals  $V_{swing}$  in half. This pull-down can be combined with a serial resistor to form a smaller clock voltage difference. The following diagram shows how to transition a 2.5V clock into 1.8V clock.



$R_s = 33$  ohm with  $R_n = 100$  ohm, to transition 3.3V CMOS to 2.5V

$R_s = 43$  ohm with  $R_n = 70$  ohm to transition 3.3V CMOS to 1.8V

## Clock Jitter Definitions

### Total Jitter= RJ + DJ

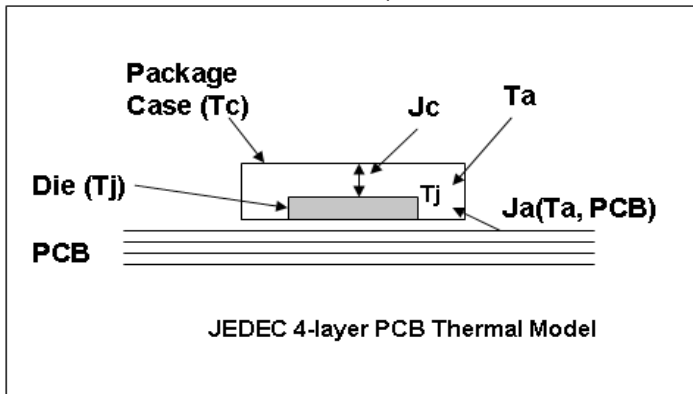
Random Jitter (RJ) is unpredictable and unbounded timing noise that can fit in a Gaussian math distribution in RMS. RJ test values are directly related with how long or how many test samples are available. Deterministic Jitter (DJ) is timing jitter that is predictable and periodic in fixed interference frequency. Total Jitter (TJ) is the combination of random jitter and deterministic jitter: , where is a factor based on total test sample count. JEDEC std. specifies digital clock TJ in 10k random samples.

### Phase Jitter

Phase noise is short-term random noise attached on the clock carrier and it is a function of the clock offset from the carrier, for example dBc/Hz@10kHz which is phase noise power in 1-Hz normalized bandwidth vs. the carrier power @10kHz offset. Integration of phase noise in plot over a given frequency band yields RMS phase jitter, for example, to specify phase jitter <=1ps at 12k to 20MHz offset band as SONET standard specification.

## Device Thermal Calculation

The JEDEC thermal model in a 4-layer PCB is shown below.



### JEDEC IC Thermal Model

Important factors to influence device operating temperature are:

- 1) The power dissipation from the chip ( $P_{chip}$ ) is after subtracting power dissipation from external loads. Generally it can be the no-load device  $I_{dd}$
- 2) Package type and PCB stack-up structure, for example, 1oz 4 layer board. PCB with more layers and are thicker has better heat dissipation
- 3) Chassis air flow and cooling mechanism. More air flow M/s and adding heat sink on device can reduce device final die junction temperature  $T_j$

The individual device thermal calculation formula:

$$T_j = T_a + P_{chip} \times J_a$$

$$T_c = T_j - P_{chip} \times J_c$$

$J_a$  \_\_\_ Package thermal resistance from die to the ambient air in C/W unit; This data is provided in JEDEC model simulation. An air flow of 1m/s will reduce  $J_a$  (still air) by 20~30%

$J_c$  \_\_\_ Package thermal resistance from die to the package case in C/W unit

$T_j$  \_\_\_ Die junction temperature in C (industry limit <125C max.)

$T_a$  \_\_\_ Ambient air temperature in C

$T_c$  \_\_\_ Package case temperature in C

$P_{chip}$  \_\_\_ IC actually consumes power through  $I_{ee}/GND$  current

**PI6C49X0204A**

### Part Marking

W Package

PI6C49X  
0204AWIE  
ZYYWWX $\bar{X}$   
○

Z: Die Rev  
YY: Year  
WW: Workweek  
1st X: Assembly Code  
2nd X: Fab Site Code

**PI6C49X0204A**

**Packaging Mechanical: 8-SOIC (W)**

| SYMBOLS        | MIN.     | NOM. | MAX. |
|----------------|----------|------|------|
| A              | —        | —    | 1.75 |
| A1             | 0.10     | —    | 0.25 |
| A2             | 1.25     | —    | —    |
| b              | 0.31     | —    | 0.51 |
| c              | 0.10     | —    | 0.25 |
| D              | 4.80     | 4.90 | 5.00 |
| E              | 5.80     | 6.00 | 6.20 |
| E1             | 3.80     | 3.90 | 4.00 |
| e              | 1.27 BSC |      |      |
| L              | 0.40     | —    | 1.27 |
| h              | 0.25     | —    | 0.50 |
| $\theta^\circ$ | 0        | —    | 8    |

UNIT : mm

**NOTE :**  
 1. ALL DIMENSIONS ARE IN mm. ANGLES IN DEGREES  
 2. DIMENSIONS EXCLUDE BURRS, MOLD FLASH OR PROTRUSIONS  
 3. REFER JEDEC MS-012

|                                       |             |                |
|---------------------------------------|-------------|----------------|
|                                       |             | DATE: 02/21/14 |
| DESCRIPTION: 8-Pin, 150mil-Wide, SOIC |             |                |
| PACKAGE CODE: W (W8)                  |             |                |
| DOCUMENT CONTROL #: PD-1001           | REVISION: G |                |

15-0103

**For latest package info.**

please check: <http://www.diodes.com/design/support/packaging/pericom-packaging/packaging-mechanicals-and-thermal-characteristics/>

**Ordering Information<sup>(1-3)</sup>**

| Ordering Code    | Package Code | Package Description       |
|------------------|--------------|---------------------------|
| PI6C49X0204AWIEX | W            | 8-pin, 150mil-Wide (SOIC) |

**Notes:**

1. No purposely added lead. Fully EU Directive 2002/95/EC (RoHS), 2011/65/EU (RoHS 2) & 2015/863/EU (RoHS 3) compliant.
2. See <https://www.diodes.com/quality/lead-free/> for more information about Diodes Incorporated's definitions of Halogen- and Antimony-free, "Green" and Lead-free.
3. Halogen- and Antimony-free "Green" products are defined as those which contain <900ppm bromine, <900ppm chlorine (<1500ppm total Br + Cl) and <1000ppm antimony compounds.
4. E = Pb-free and Green
5. X suffix = Tape/Reel

**IMPORTANT NOTICE**

DIODES INCORPORATED MAKES NO WARRANTY OF ANY KIND, EXPRESS OR IMPLIED, WITH REGARDS TO THIS DOCUMENT, INCLUDING, BUT NOT LIMITED TO, THE IMPLIED WARRANTIES OF MERCHANTABILITY AND FITNESS FOR A PARTICULAR PURPOSE (AND THEIR EQUIVALENTS UNDER THE LAWS OF ANY JURISDICTION).

Diodes Incorporated and its subsidiaries reserve the right to make modifications, enhancements, improvements, corrections or other changes without further notice to this document and any product described herein. Diodes Incorporated does not assume any liability arising out of the application or use of this document or any product described herein; neither does Diodes Incorporated convey any license under its patent or trademark rights, nor the rights of others. Any Customer or user of this document or products described herein in such applications shall assume all risks of such use and will agree to hold Diodes Incorporated and all the companies whose products are represented on Diodes Incorporated website, harmless against all damages.

Diodes Incorporated does not warrant or accept any liability whatsoever in respect of any products purchased through unauthorized sales channel.

Should Customers purchase or use Diodes Incorporated products for any unintended or unauthorized application, Customers shall indemnify and hold Diodes Incorporated and its representatives harmless against all claims, damages, expenses, and attorney fees arising out of, directly or indirectly, any claim of personal injury or death associated with such unintended or unauthorized application.

Products described herein may be covered by one or more United States, international or foreign patents pending. Product names and markings noted herein may also be covered by one or more United States, international or foreign trademarks.

This document is written in English but may be translated into multiple languages for reference. Only the English version of this document is the final and definitive format released by Diodes Incorporated.

**LIFE SUPPORT**

Diodes Incorporated products are specifically not authorized for use as critical components in life support devices or systems without the express written approval of the Chief Executive Officer of Diodes Incorporated. As used herein:

A. Life support devices or systems are devices or systems which:

1. are intended to implant into the body, or

2. support or sustain life and whose failure to perform when properly used in accordance with instructions for use provided in the labeling can be reasonably expected to result in significant injury to the user.

B. A critical component is any component in a life support device or system whose failure to perform can be reasonably expected to cause the failure of the life support device or to affect its safety or effectiveness.

Customers represent that they have all necessary expertise in the safety and regulatory ramifications of their life support devices or systems, and acknowledge and agree that they are solely responsible for all legal, regulatory and safety-related requirements concerning their products and any use of Diodes Incorporated products in such safety-critical, life support devices or systems, notwithstanding any devices- or systems-related information or support that may be provided by Diodes Incorporated. Further, Customers must fully indemnify Diodes Incorporated and its representatives against any damages arising out of the use of Diodes Incorporated products in such safety-critical, life support devices or systems.

Copyright © 2016, Diodes Incorporated

[www.diodes.com](http://www.diodes.com)



Компания «ЭлектроПласт» предлагает заключение долгосрочных отношений при поставках импортных электронных компонентов на взаимовыгодных условиях!

Наши преимущества:

- Оперативные поставки широкого спектра электронных компонентов отечественного и импортного производства напрямую от производителей и с крупнейших мировых складов;
- Поставка более 17-ти миллионов наименований электронных компонентов;
- Поставка сложных, дефицитных, либо снятых с производства позиций;
- Оперативные сроки поставки под заказ (от 5 рабочих дней);
- Экспресс доставка в любую точку России;
- Техническая поддержка проекта, помощь в подборе аналогов, поставка прототипов;
- Система менеджмента качества сертифицирована по Международному стандарту ISO 9001;
- Лицензия ФСБ на осуществление работ с использованием сведений, составляющих государственную тайну;
- Поставка специализированных компонентов (Xilinx, Altera, Analog Devices, Intersil, Interpoint, Microsemi, Aeroflex, Peregrine, Syfer, Eurofarad, Texas Instrument, Miteq, Cobham, E2V, MA-COM, Hittite, Mini-Circuits, General Dynamics и др.);

Помимо этого, одним из направлений компании «ЭлектроПласт» является направление «Источники питания». Мы предлагаем Вам помощь Конструкторского отдела:

- Подбор оптимального решения, техническое обоснование при выборе компонента;
- Подбор аналогов;
- Консультации по применению компонента;
- Поставка образцов и прототипов;
- Техническая поддержка проекта;
- Защита от снятия компонента с производства.



#### Как с нами связаться

**Телефон:** 8 (812) 309 58 32 (многоканальный)

**Факс:** 8 (812) 320-02-42

**Электронная почта:** [org@eplast1.ru](mailto:org@eplast1.ru)

**Адрес:** 198099, г. Санкт-Петербург, ул. Калинина, дом 2, корпус 4, литера А.