

Inverted Thru Board Card Edge & Inverted Poke-In Platform Connectors

The Inverted Card Edge and Poke-In Platform Connectors provide 3.0 mm creep and clearance from all other conductive components on FR4 and metal clad printed circuit boards. The 2 position connectors share the same printed circuit board footprint while offering flexibility in providing either a direct power driver board one piece mating solution or a poke-in wire connection to the underside of the LED array boards.

PRODUCT BENEFITS

- The ITB connectors are surface mounted at the same time as other devices on the PCB eliminating secondary processes
- Low profile, space-saving connector designed with and without a cover. The 1.55 mm without cover or 1.90 mm with cover height above the PCB minimizes LED light obstruction.
- Surface mount hold downs provide stability during driver board mating, un-mating and poke-in mating.
- Flat top surface allows for vacuum pick up
- Tape and reel packaging for high speed SMT processing
- Designed with round corners to minimize shadowing
- Both the Inverted Poke-in and Inverted Card Edge Connectors are available with an optional cap that provides for a touch safe design once soldered to the printed circuit board

APPLICATIONS

- Retrofit LED Bulbs
- Track Lighting
- Spot Lights
- Down Lights

MECHANICAL

Inverted Card Edge termination:

- Offered in two versions to accept 1.0 mm or 1.6 mm driver boards
- Polarity keying retention feature options provide additional retention force
- 5 mating cycles

Inverted Poke-In Termination:

- Offered in two versions for poke-in termination of 18 AWG stranded and 18-22 AWG solid and pre-bonded wire or 24-26 AWG solid wire
- Added 1 mm depth dimension to accommodate the wire insulation guide barrels
- Single insertion mating

ELECTRICAL

- Operating Voltage: 400 VAC / VDC
- Operating Current : 3 A, Inverted Card Edge and 18-22 AWG Poke-In
2 A, 24-26 AWG Poke-In
- Operating Temperature: -20 to 130°C
- 3 mm creep and clearance from contacts to MCPCB substrate for non-isolated line voltage power supplies (dielectric withstand voltage)

MATERIALS

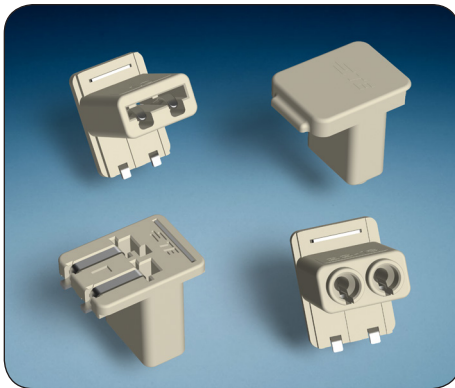
- Housing and Cover: 94 V-0 rated high temperature resistant thermoplastic
- Contacts: Tin over nickel plated copper alloy

STANDARDS AND SPECIFICATIONS

- UL 1977
- CSA Std. C22.2 No. 182.3
- Product Specification: **108-32041**
- Application Specification: **108-32054**

te.com/ib

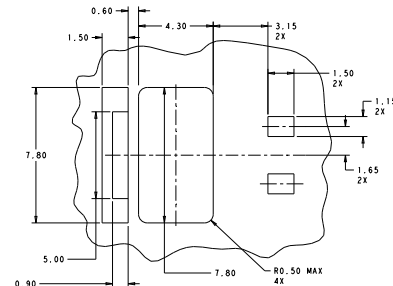
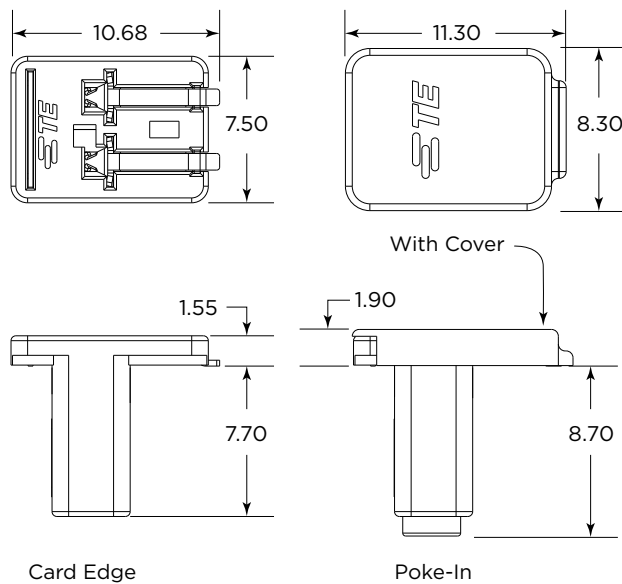




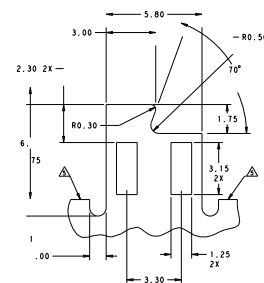
PRODUCT OFFERING

Part Number	Inverted Through Board Connector Style	Board Thickness	Wire Gauge
2213188-1	Card Edge	1.0 mm	
2213188-2	Card Edge	1.6 mm	
2213188-3	Card Edge with Pre-installed Cover	1.0 mm	
2213188-4	Card Edge with Pre-installed Cover	1.6 mm	
2213189-1	Poke-In		18-22 AWG
2213189-2	Poke-In		24-26 AWG
2213189-3	Poke-In with Pre-installed Cover		18-22 AWG
2213189-4	Poke-In with Pre-installed Cover		24-26 AWG

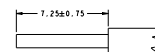
PRODUCT DIMENSIONS



Board Layout



Mating PCB detail



Wire preparation detail

While TE has made every reasonable effort to ensure the accuracy of the information in this brochure, TE does not guarantee that it is error-free, nor does TE make any other representation, warranty or guarantee that the information is accurate, correct, reliable or current. TE reserves the right to make any adjustments to the information contained herein at any time without notice. TE expressly disclaims all implied warranties regarding the information contained herein, including, but not limited to, any implied warranties of merchantability or fitness for a particular purpose. The dimensions in this catalog are for reference purposes only and are subject to change without notice. Specifications are subject to change without notice. Consult TE for the latest dimensions and design specifications.

te.com/ib





Компания «ЭлектроПласт» предлагает заключение долгосрочных отношений при поставках импортных электронных компонентов на взаимовыгодных условиях!

Наши преимущества:

- Оперативные поставки широкого спектра электронных компонентов отечественного и импортного производства напрямую от производителей и с крупнейших мировых складов;
- Поставка более 17-ти миллионов наименований электронных компонентов;
- Поставка сложных, дефицитных, либо снятых с производства позиций;
- Оперативные сроки поставки под заказ (от 5 рабочих дней);
- Экспресс доставка в любую точку России;
- Техническая поддержка проекта, помощь в подборе аналогов, поставка прототипов;
- Система менеджмента качества сертифицирована по Международному стандарту ISO 9001;
- Лицензия ФСБ на осуществление работ с использованием сведений, составляющих государственную тайну;
- Поставка специализированных компонентов (Xilinx, Altera, Analog Devices, Intersil, Interpoint, Microsemi, Aeroflex, Peregrine, Syfer, Eurofarad, Texas Instrument, Miteq, Cobham, E2V, MA-COM, Hittite, Mini-Circuits, General Dynamics и др.);

Помимо этого, одним из направлений компании «ЭлектроПласт» является направление «Источники питания». Мы предлагаем Вам помощь Конструкторского отдела:

- Подбор оптимального решения, техническое обоснование при выборе компонента;
- Подбор аналогов;
- Консультации по применению компонента;
- Поставка образцов и прототипов;
- Техническая поддержка проекта;
- Защита от снятия компонента с производства.



Как с нами связаться

Телефон: 8 (812) 309 58 32 (многоканальный)

Факс: 8 (812) 320-02-42

Электронная почта: org@eplast1.ru

Адрес: 198099, г. Санкт-Петербург, ул. Калинина, дом 2, корпус 4, литера А.