

MATERIAL		
COMPONENT NAME	BASE MATERIAL	FINISH
CASE	LCP, BLACK, UL94 V-0	
TERMINAL, WIRE LUG (GOLD)	BRASS	GOLD OVER NICKEL
TERMINAL, PC & RA (GOLD)	BRASS	GOLD OVER NICKEL IN CONTACT AREA, TIN OVER NICKEL IN SOLDER AREA
TERMINAL, VRA (GOLD)	BRASS	GOLD OVER NICKEL IN CONTACT AREA, TIN OVER NICKEL IN SOLDER AREA
TERMINAL, WIRE LUG (SILVER)	SILVER CLAD COPPER	SILVER OVER NICKEL
TERMINAL, PC (SILVER)	SILVER CLAD COPPER	SILVER OVER NICKEL
CONTACT (GOLD)	COPPER ALLOY OR BRASS	GOLD OVER NICKEL
CONTACT (SILVER)	SILVER CLAD COPPER OR COPPER	SILVER OVER NICKEL
FRAME	STEEL	TIN OVER COPPER
SPRING	MUSIC WIRE	
PLUNGER BUTTON	NYLON 6/6, BLACK, RED OR BLUE, UL94 HB (EXTENDED) OR UL94V-2 (FLUSH)	
SUPPORT BRACKET (RA*ES VERSIONS ONLY)	BRASS	TIN OVER COPPER
SUPPORT BRACKET, VRA (B&C BUSHINGS ONLY)	STEEL	TIN OVER COPPER
BUSHING	BRASS	NICKEL OVER COPPER
MOUNTING NUT	BRASS	NICKEL
LOCKWASHER	STEEL	NICKEL
ES HOUSING	NYLON 6/6, NATURAL, UL94 V-2	
ES BOOT	VINYL PLASTISOL, BLACK	

PART NUMBER MATRIX									
MODEL	ACTUATOR	POLES	RATING	FUNCTION	PLATING	TERMINATIONS	PROCESS SEAL	BUTTON COLOR	04
TPC	BLANK=EXTENDED	1	1=GOLD .4VA	C=SPST MOMENTARY	G=GOLD	BLANK=WIRE LUG	ES=PROCESS SEALED <sup>2</sup>	0=BLACK	
		2	3=SILVER 1 AMP <sup>1</sup>	F=SPDT MOMENTARY	BLANK=SILVER <sup>1</sup>	PC=PRINTED CIRCUIT		2=RED	
				M=DPST MOMENTARY		RA=RIGHT ANGLE <sup>2</sup>		6=BLUE	
				R=DPDT MOMENTARY		VRA=VERTICAL RIGHT ANGLE <sup>3</sup>			

NOTES:  
 1. SILVER ONLY AVAILABLE IN WIRE LUG AND PC TERMINATIONS  
 2. RAES AVAILABLE WITH B AND C BUSHINGS ONLY  
 3. VRA ONLY AVAILABLE IN SINGLE POLE

SPECIFICATIONS	
RATING	GOLD: .4VA MAX. @ 20VDC OR PEAK AC RESISTIVE SILVER: 1A @ 125VAC OR 28 VDC RESISTIVE
INITIAL TERMINATION RESISTANCE	20 MILLIOHMS MAX.
INSULATION RESISTANCE	1,000 MEGOHMS MIN @ 500 VDC
DIELECTRIC STRENGTH	1,000 VOLTS RMS AT SEA LEVEL
TIMING	BREAK BEFORE MAKE
PLUNGER TRAVEL	.030
ACTUATION FORCE	50 TO 400 GRAMS
LIFE EXPECTANCY	.4 VA, 1 POLE: 100,000 .4 VA, 2 POLES: 80,000 1 A, 1 POLE: 60,000 1 A, 2 POLES: 50,000
OPERATING TEMPERATURE	-30°C TO +65°C
STORAGE TEMPERATURE	-30°C TO +65°C
TERMINAL SEAL	SINGLE POLE: EPOXY DOUBLE POLE: EPOXY OPTIONAL

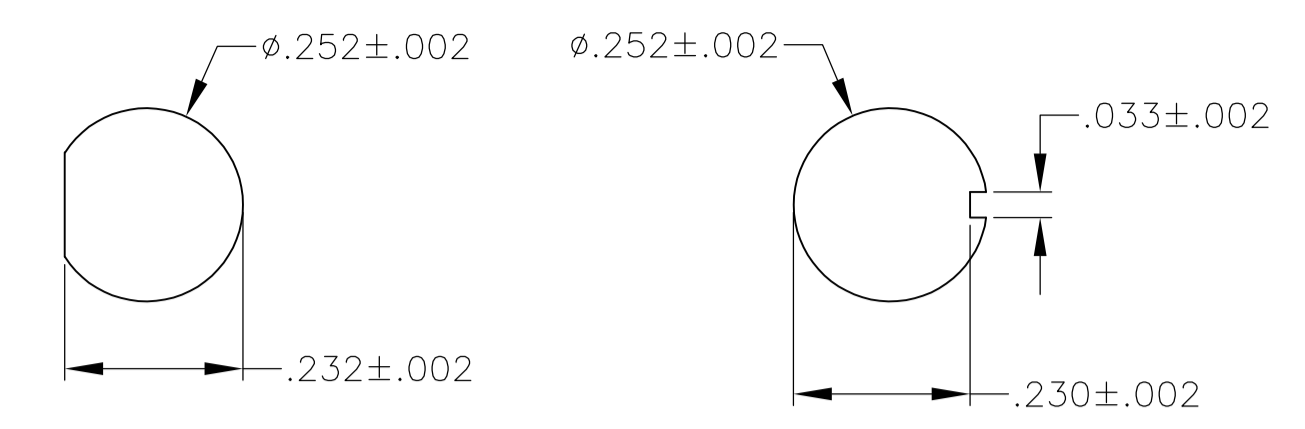
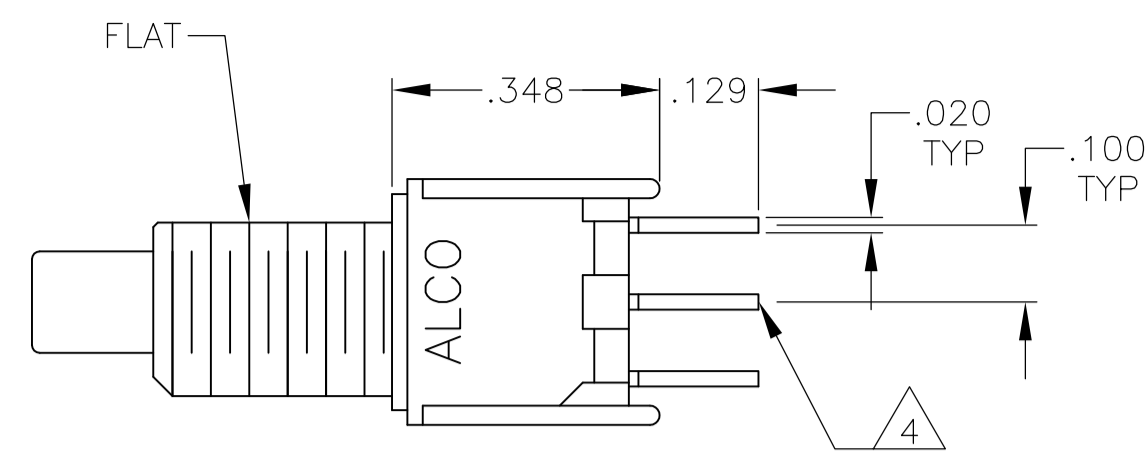
- TERMINAL NUMBERS ARE FOR REFERENCE ONLY AND DO NOT APPEAR ON SWITCHES.
- ALL MATERIALS AND FINISHES COMPLY WITH EU DIRECTIVE 2002/95/EC OF 27JAN2003 (ROHS).
- DISPOSABLE BOOT SUPPLIED WITH ES VERSIONS. BOOT TO BE PLACED OVER BUSHING BEFORE SOLDER WASHING.
- CENTER TERMINAL PRESENT ON DOUBLE THROW SWITCHES ONLY.
- OBSOLETE.

TE P/N	ALCO P/N	POLES	THROWS	PLATING	TERMINALS	PROCESS SEALED	BUTTON COLOR	FUNCTION				CONNECTED TERMINALS	
								OFF	MOM	ON	OFF	1-2	2-3
1825100-1	TPF11CGPC004	1	1	GOLD	PC	NO	BLACK	OFF	MOM	OFF	OFF	1-3	
1825100-2	TPF11CGPC204	1	1	GOLD	PC	NO	RED	OFF	MOM	OFF	OFF	1-3	
1825100-3	TPF11CGPCES004	1	1	GOLD	PC	YES	BLACK	OFF	MOM	OFF	OFF	1-3	
1825100-4	TPF11CGRA004	1	1	GOLD	RIGHT ANGLE	NO	BLACK	OFF	MOM	OFF	OFF	1-3	
1825100-5	TPF11CGRA204	1	1	GOLD	RIGHT ANGLE	NO	RED	OFF	MOM	OFF	OFF	1-3	
1825100-6	TPF11CGRA604	1	1	GOLD	RIGHT ANGLE	NO	BLUE	OFF	MOM	OFF	OFF	1-3	
1825100-7	TPF11FGPC004	1	2	GOLD	PC	NO	BLACK	ON	MOM	OFF	OFF	1-2, 4-6	
1825100-8	TPF11FGPC204	1	2	GOLD	PC	NO	RED	ON	MOM	OFF	OFF	1-2, 4-6	
1825100-9	TPF11FGPC604	1	2	GOLD	PC	NO	BLUE	ON	MOM	OFF	OFF	1-2, 4-6	
1-1825100-0	TPF11FGPCES004	1	2	GOLD	PC	YES	BLACK	ON	MOM	OFF	OFF	1-2, 4-6	
1-1825100-1	TPF11FGRA004	1	2	GOLD	RIGHT ANGLE	NO	BLACK	ON	MOM	OFF	OFF	1-2, 4-6	
1-1825100-2	TPF13C004	1	1	SILVER	WIRE LUG	NO	BLACK	OFF	MOM	OFF	OFF	1-3	
1-1825100-3	TPF13C204	1	1	SILVER	WIRE LUG	NO	RED	OFF	MOM	OFF	OFF	1-3	
1-1825100-4	TPF13F204	1	2	SILVER	WIRE LUG	NO	RED	ON	MOM	OFF	OFF	1-2, 4-6	
1-1825100-5	TPF13F604	1	2	SILVER	WIRE LUG	NO	BLUE	ON	MOM	OFF	OFF	1-2, 4-6	
1-1825100-6	TPF21MGPC004	2	1	GOLD	PC	NO	BLACK	OFF	MOM	OFF	OFF	1-3, 4-6	
1-1825100-7	TPF21RGRA004	2	2	GOLD	RIGHT ANGLE	NO	BLACK	ON	MOM	OFF	OFF	1-2, 4-5, 2-3, 5-6	
1-1825100-8	TPF23M004	2	1	SILVER	WIRE LUG	NO	BLACK	OFF	MOM	OFF	OFF	1-3, 4-6	

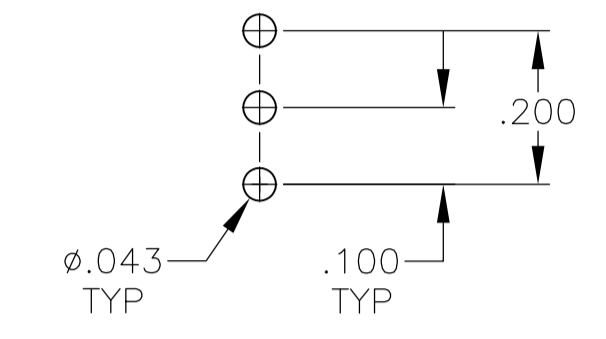
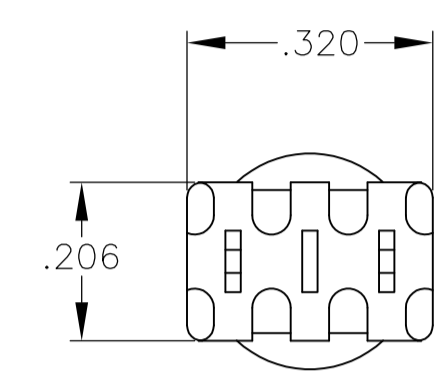
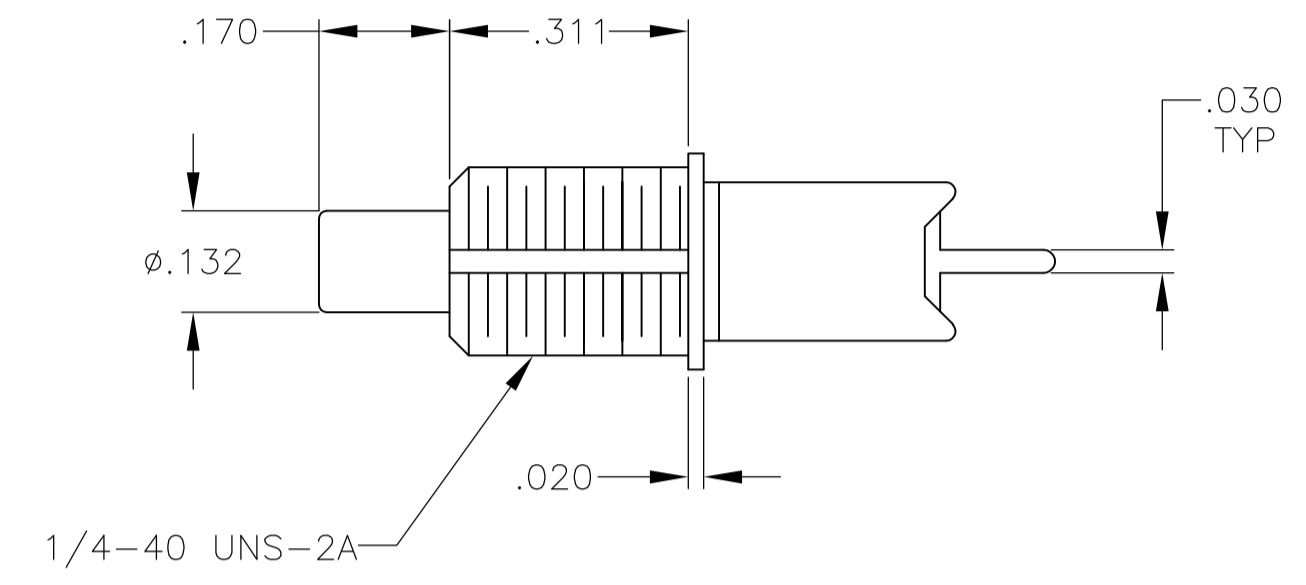
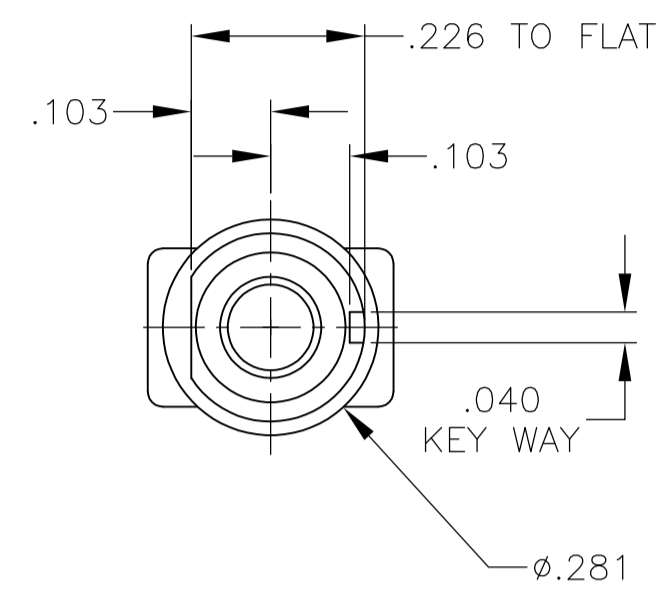
THIS DRAWING IS A CONTROLLED DOCUMENT. BIN RAGHU 12-7-05

DIMENSIONS: INCHES	TOLERANCES UNLESS OTHERWISE SPECIFIED:	APVD	NAME
0 PLC ± .010	1 PLC ± .010		PRODUCT SPEC
2 PLC ± .010	3 PLC ± .010		APPLICATION SPEC
4 PLC ± .010	ANGLES ± .5°		SIZE
MATERIAL	FINISH	WEIGHT	SCALE

STE TE Connectivity  
 PUSHBUTTON SWITCH, TPF SERIES  
 SIZE: A1 00779 1825100  
 CUSTOMER DRAWING SCALE: 4:1 SHEET 1 OF 5 REV B

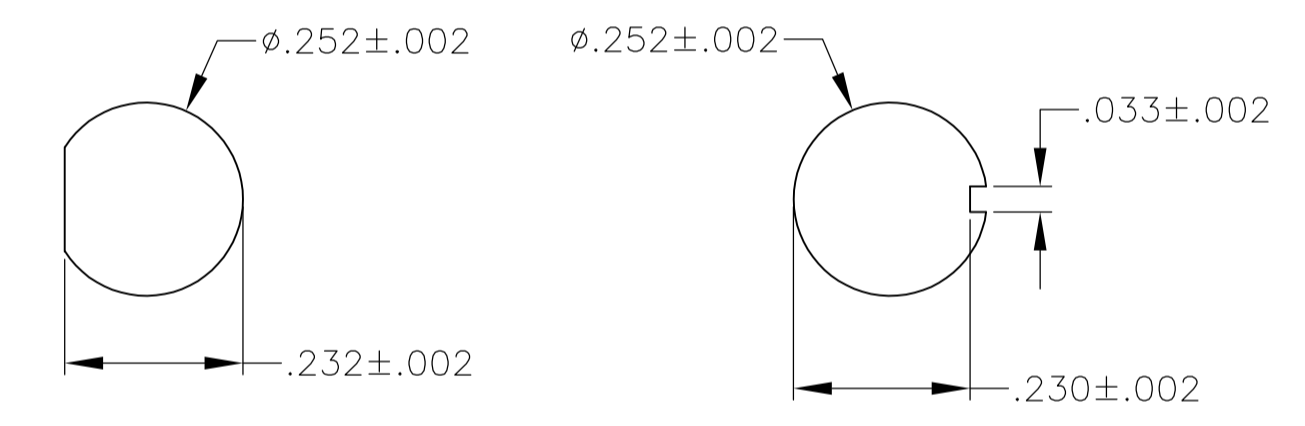
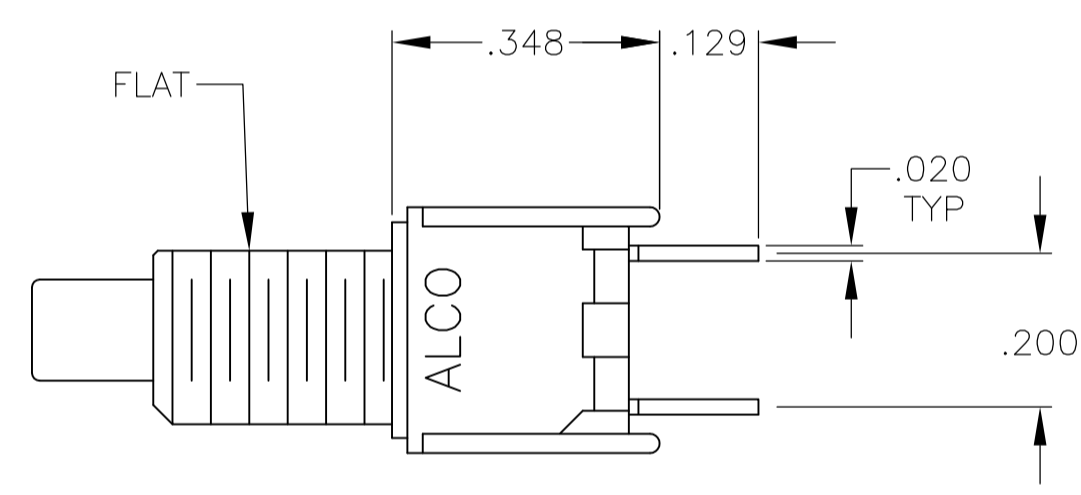


RECOMMENDED PANEL LAYOUTS

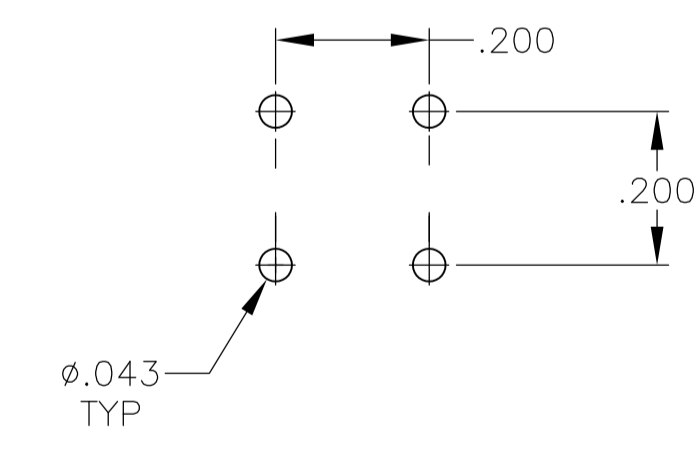
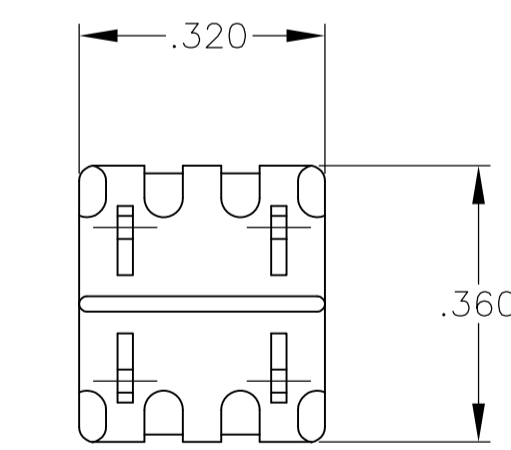
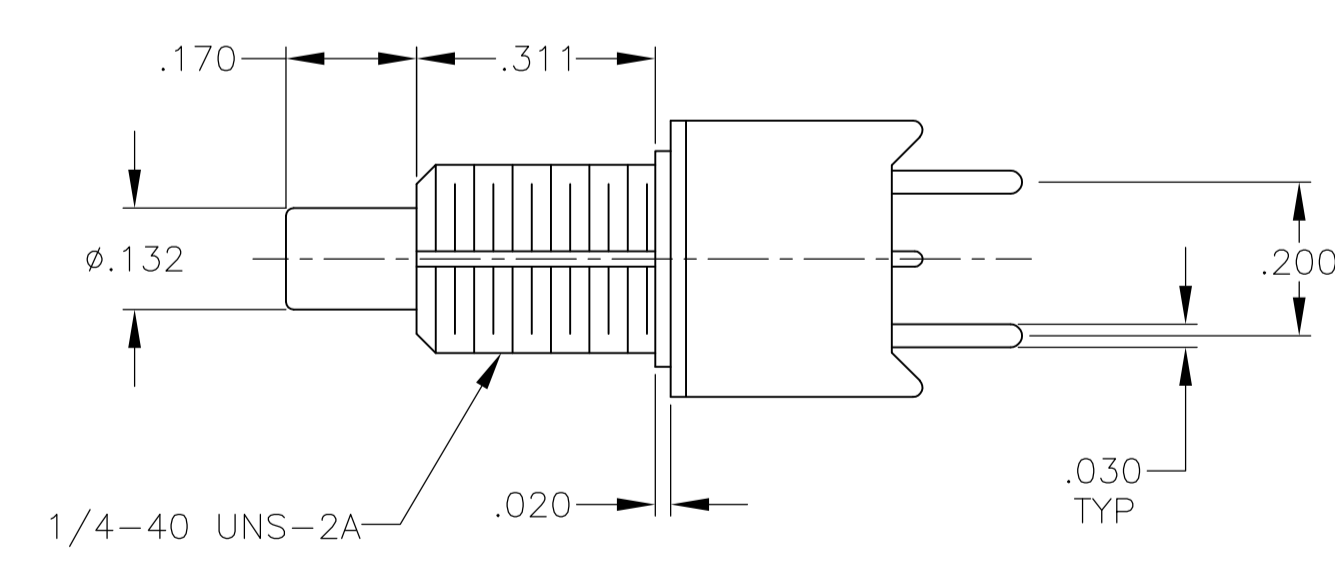
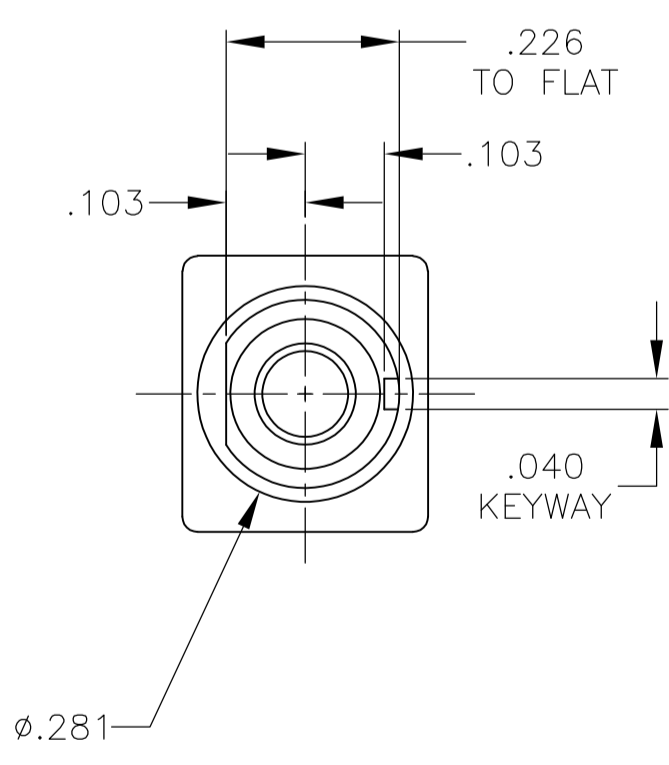


RECOMMENDED PCB LAYOUT  
TOLERANCES +/- .002

TPF11CGPC, TPF11FGPC



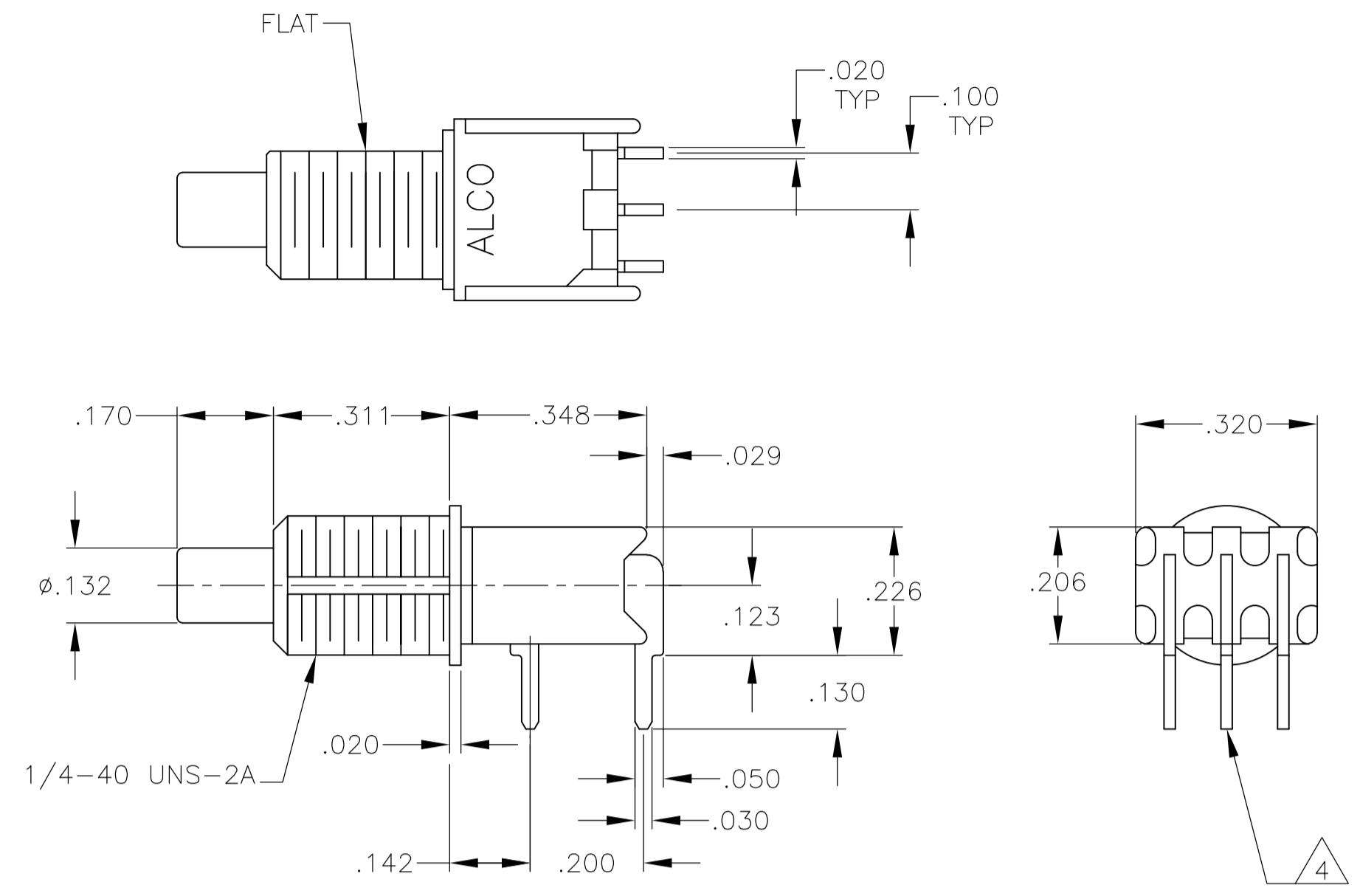
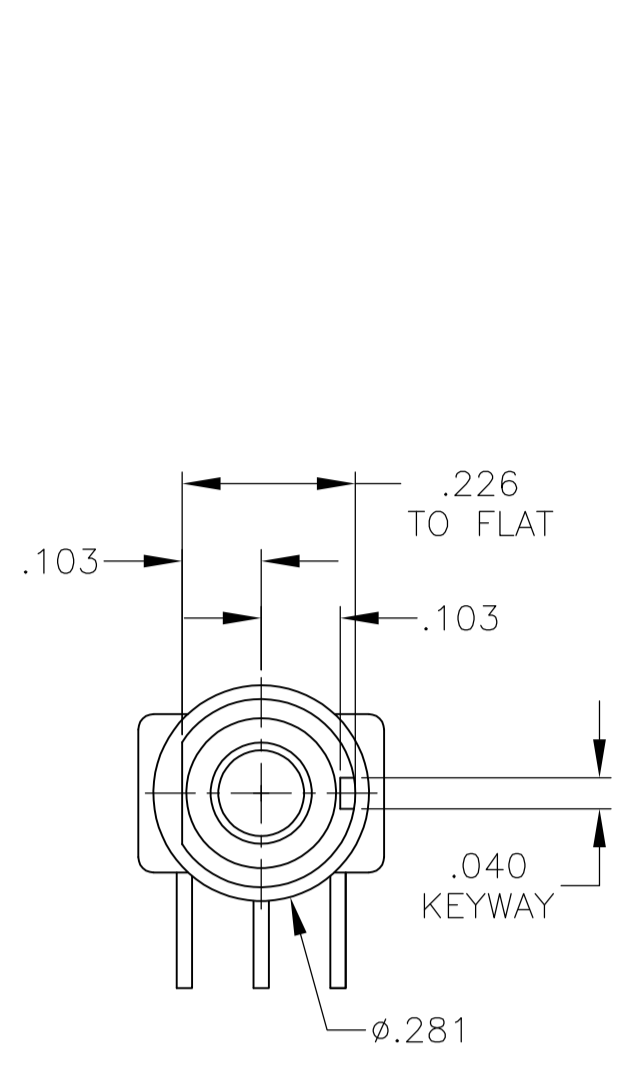
RECOMMENDED PANEL LAYOUTS



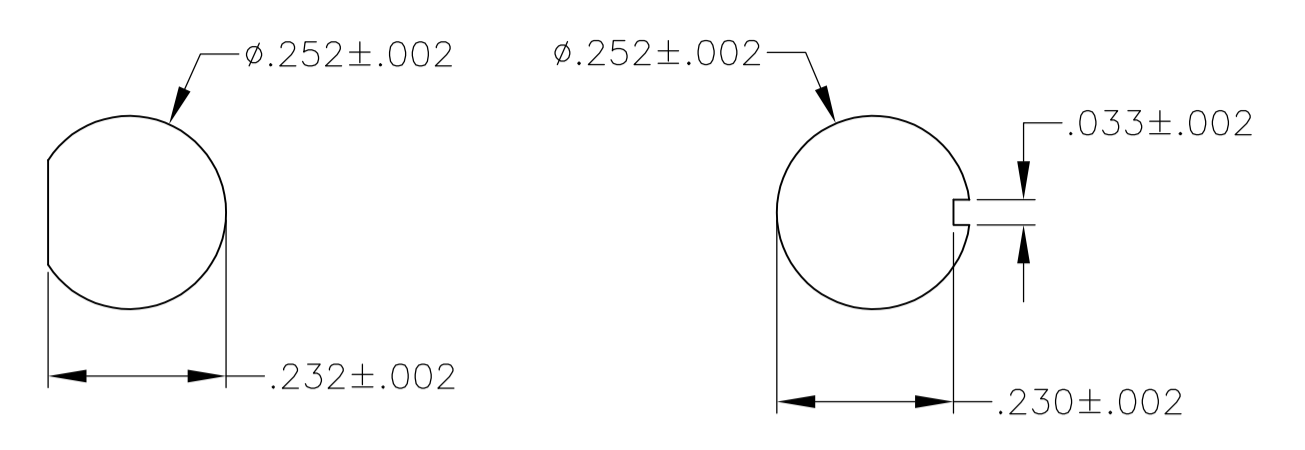
RECOMMENDED PCB LAYOUT  
TOLERANCES +/- .002

TPF21RGPC

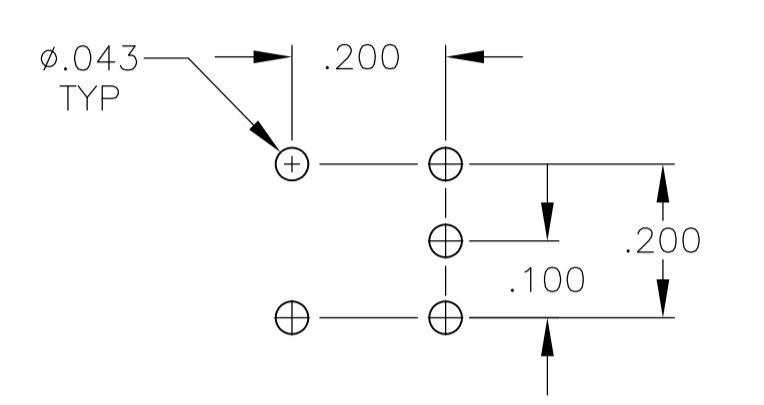
THIS DRAWING IS A CONTROLLED DOCUMENT.		DIN	12-7-05	STE TE Connectivity	
DIMENSIONS: INCHES		CHK	RAGHU	NAME	
TOLERANCES UNLESS OTHERWISE SPECIFIED:		APVD		PRODUCT SPEC	
0. PLC ± .010		APPLICATION SPEC		SIZE	
1. PLC ± .005		RESTRICTED TO		CAGE CODE	
2. PLC ± .005		DRAWING NO		DRAWING NO	
3. PLC ± .010		WEIGHT		A1 00779	
4. PLC ± .010		CUSTOMER DRAWING		SCALE 4:1	
ANGLES ± .5°		SHEET 2 OF 5		REV B	



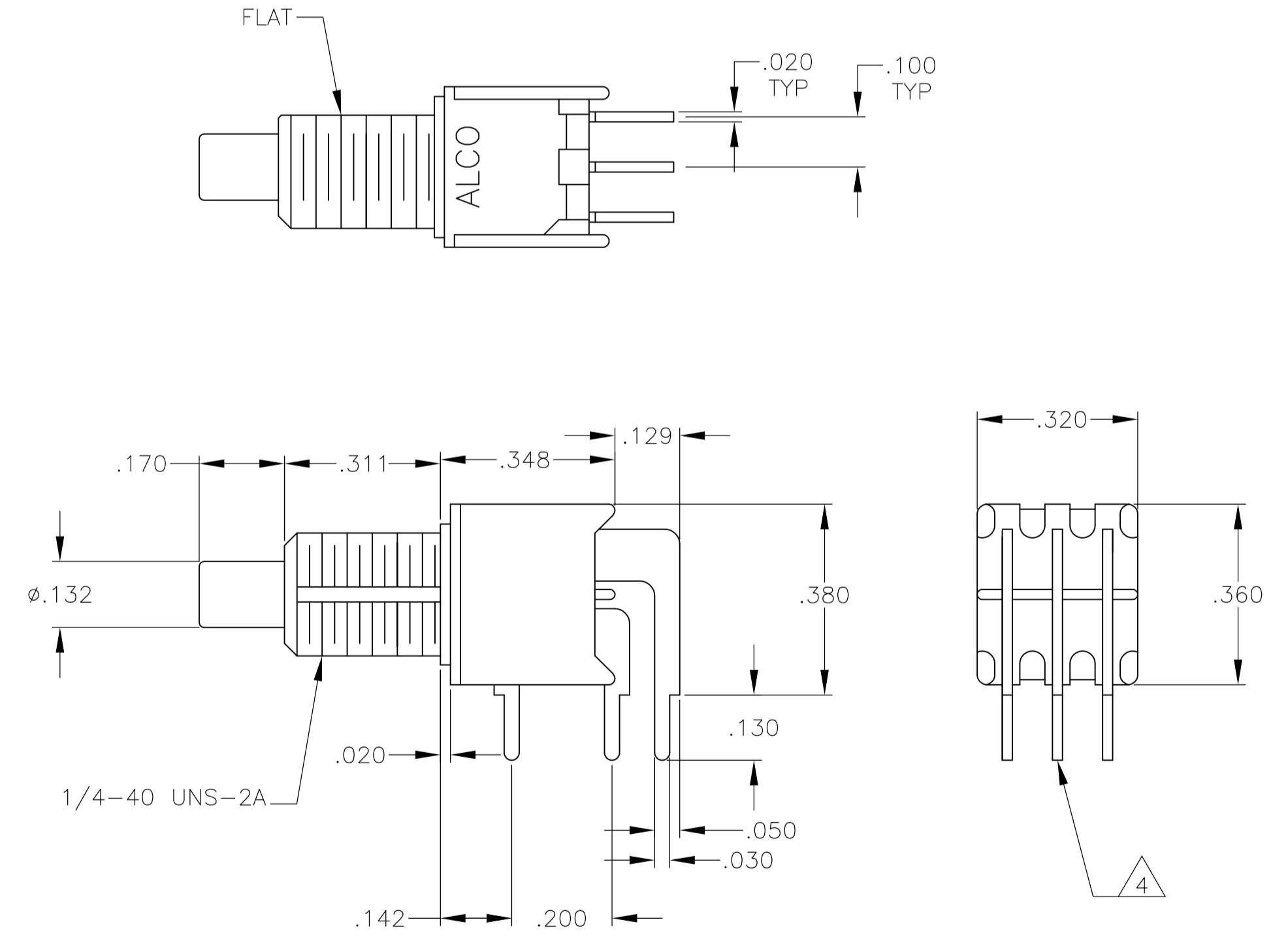
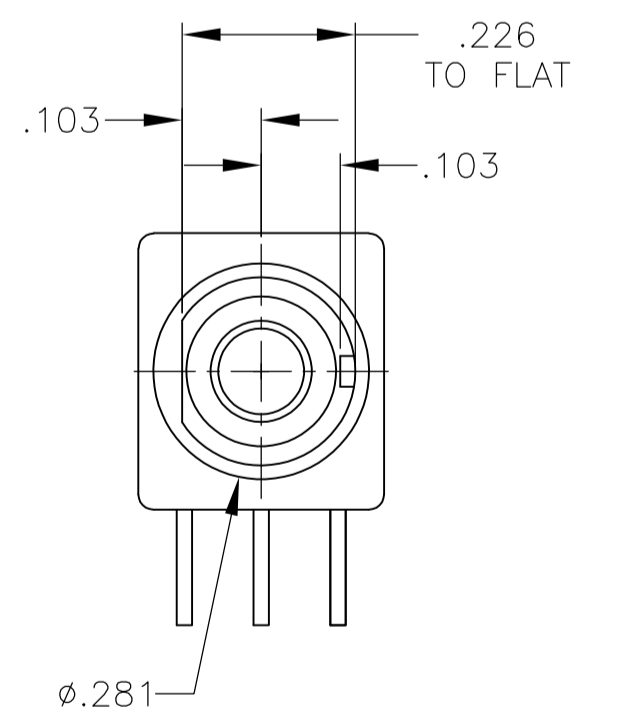
TPF11CGRA, TPF11FGRA



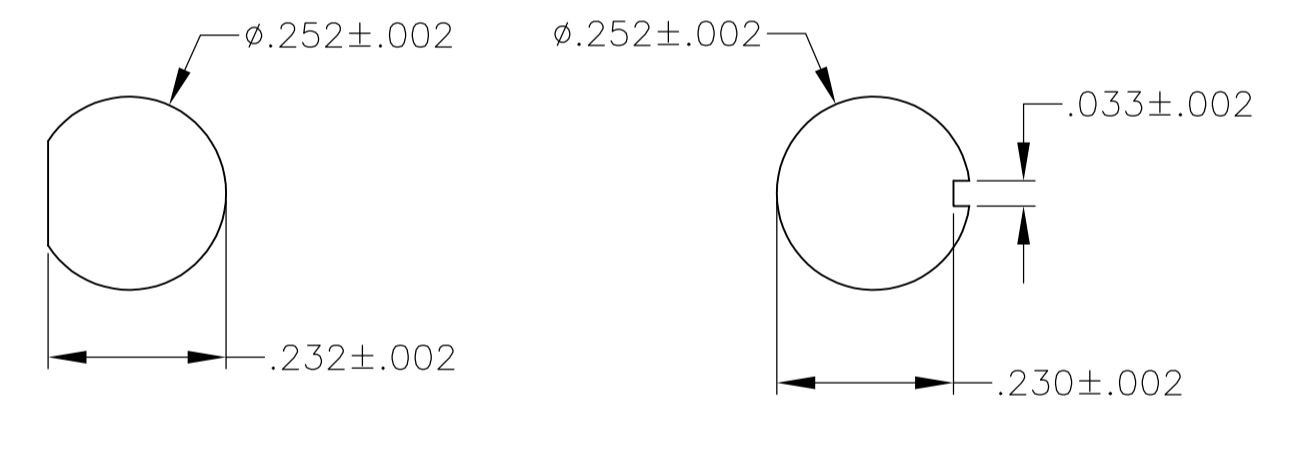
RECOMMENDED PANEL LAYOUTS



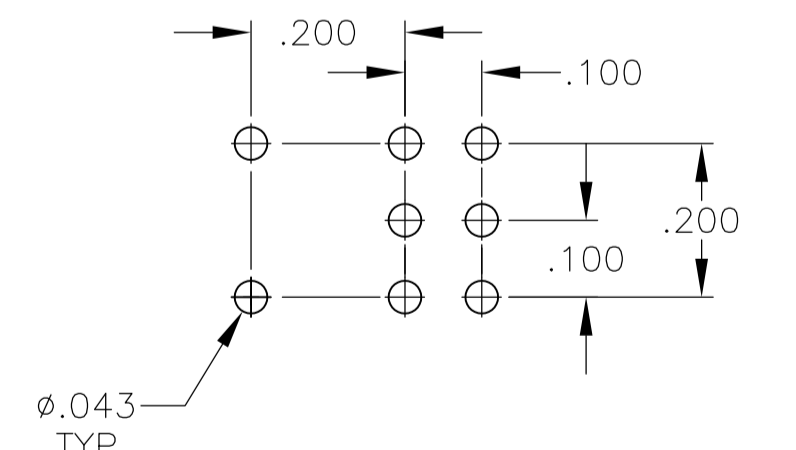
RECOMMENDED PCB LAYOUT  
TOLERANCES +/- .002



TPF21RGRA

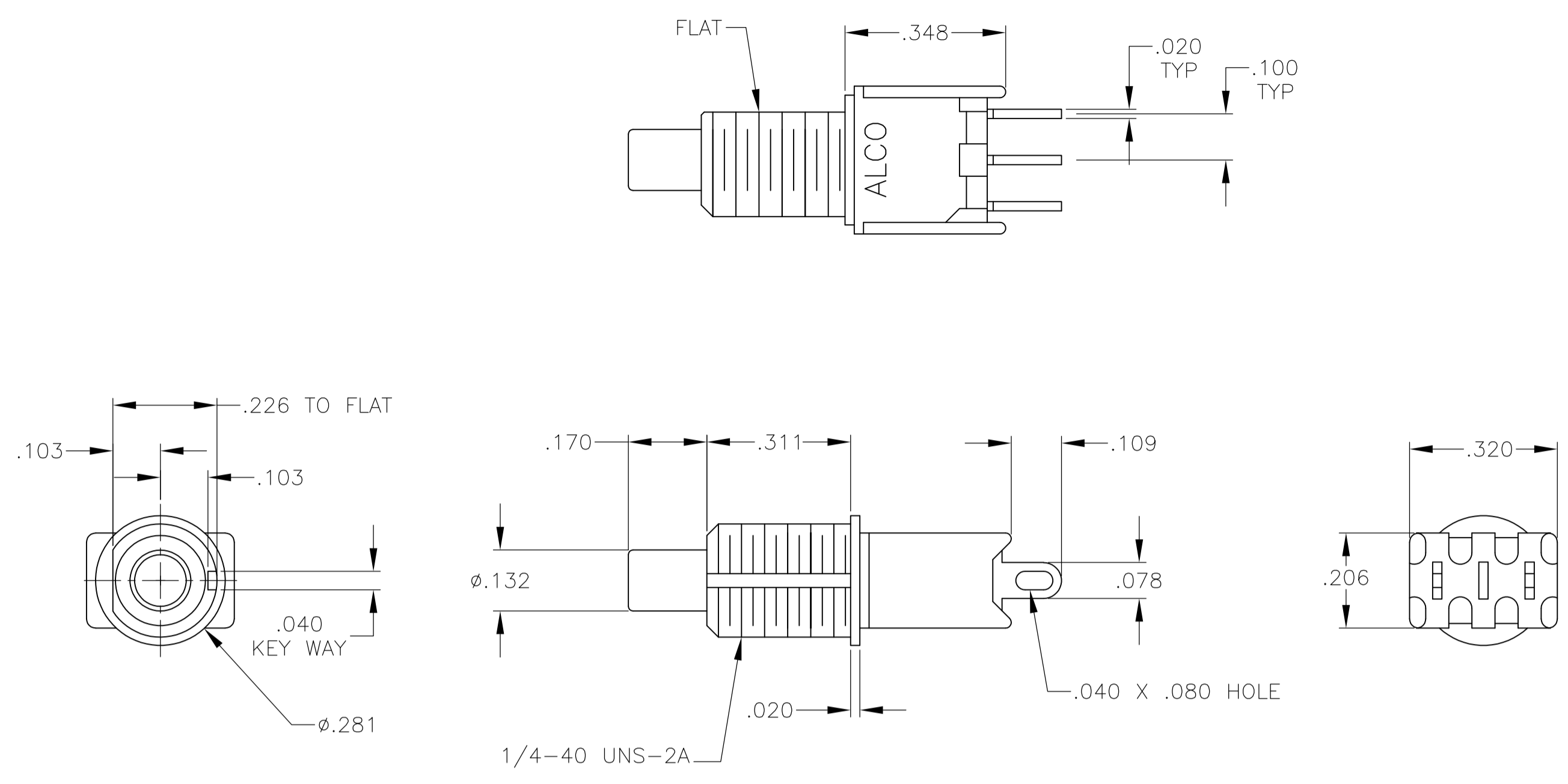


RECOMMENDED PANEL LAYOUTS

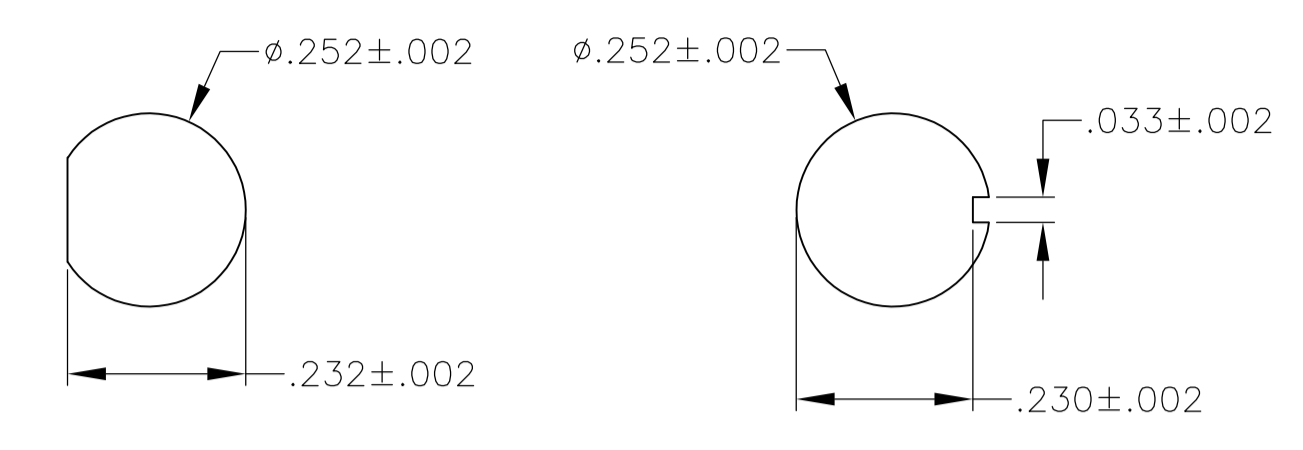


RECOMMENDED PCB LAYOUT  
TOLERANCES +/- .002

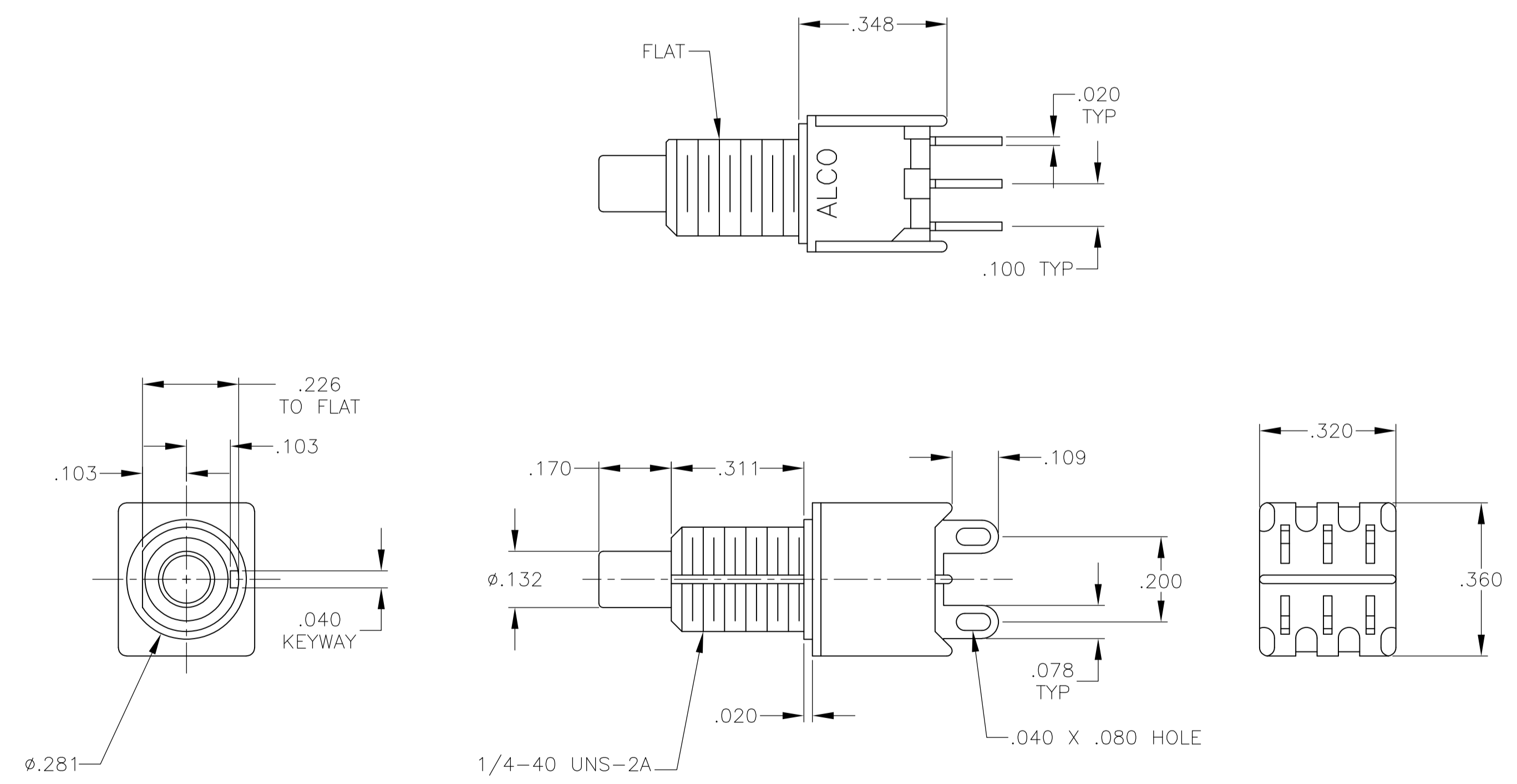
THIS DRAWING IS A CONTROLLED DOCUMENT.		DIN RAGHU 12-7-05	TE Connectivity	
DIMENSIONS: INCHES		TOLERANCES UNLESS OTHERWISE SPECIFIED:	APVD	NAME
		0. PLC ± -	NAME	PUSHBUTTON SWITCH, TPF SERIES
		1. PLC ± -	PRODUCT SPEC	
		2. PLC ± -	APPLICATION SPEC	
		3. PLC ± .010	SIZE	A1
		4. PLC ± -	CAGE CODE	00779
		ANGLES ± ± °	DRAWING NO	1825100
MATERIAL	FINISH	WEIGHT	RESTRICTED TO	
			CUSTOMER DRAWING	SCALE 4:1 SHEET 3 OF 5 REV B



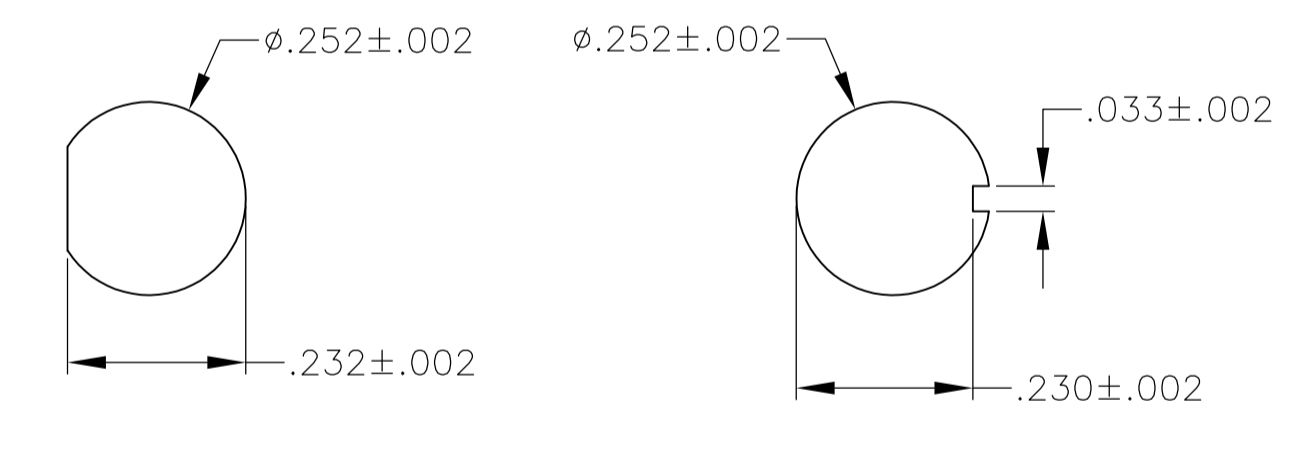
TPF13C, TPF13F



RECOMMENDED PANEL LAYOUTS

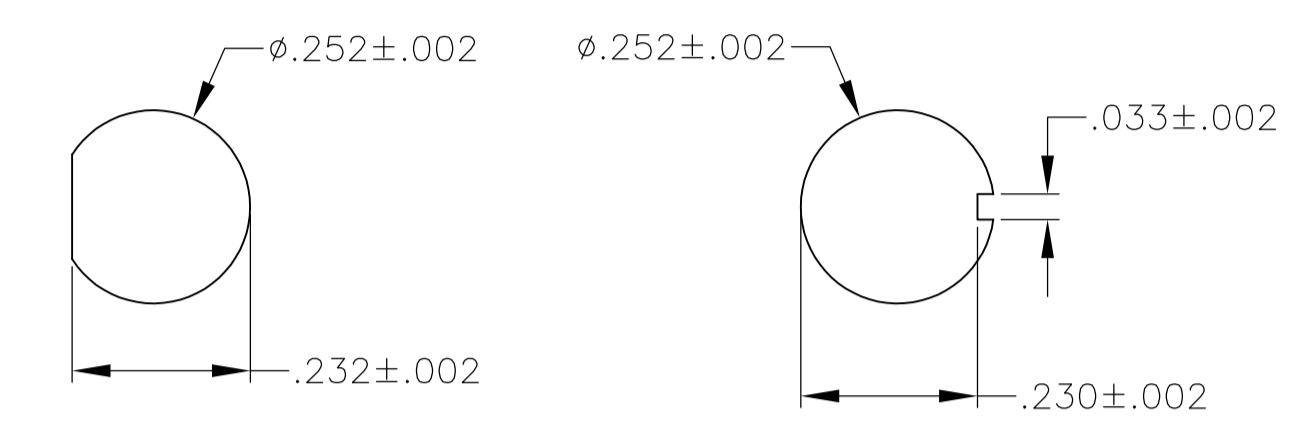
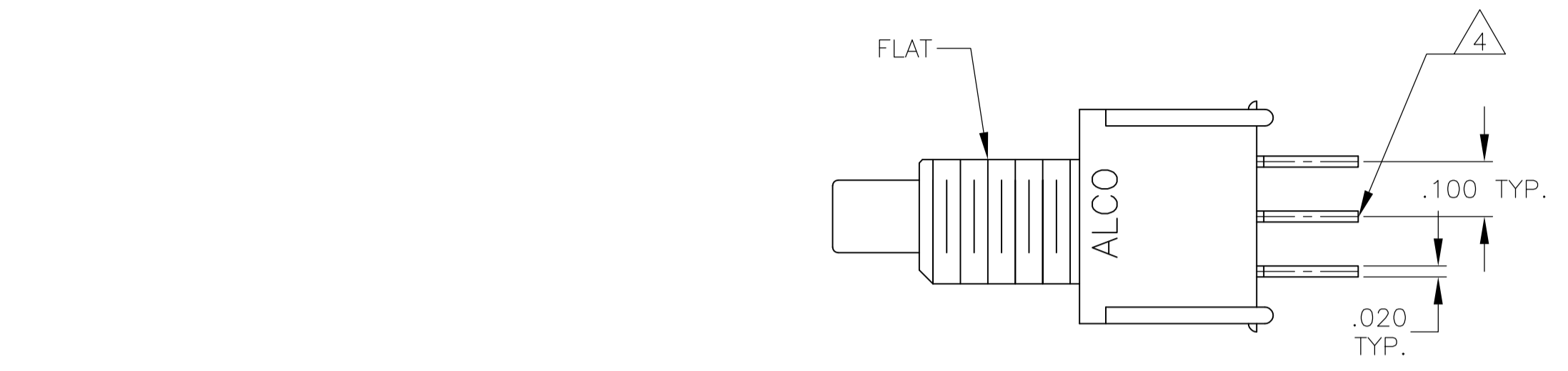


TPF23M

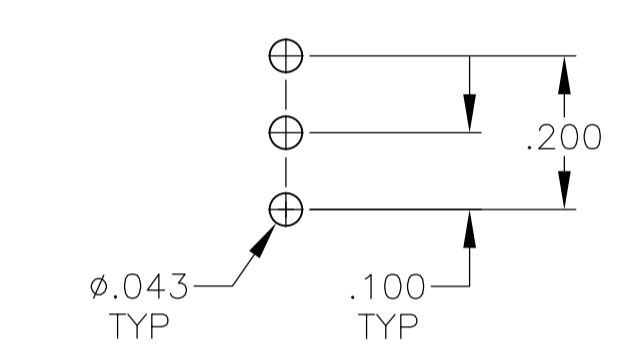
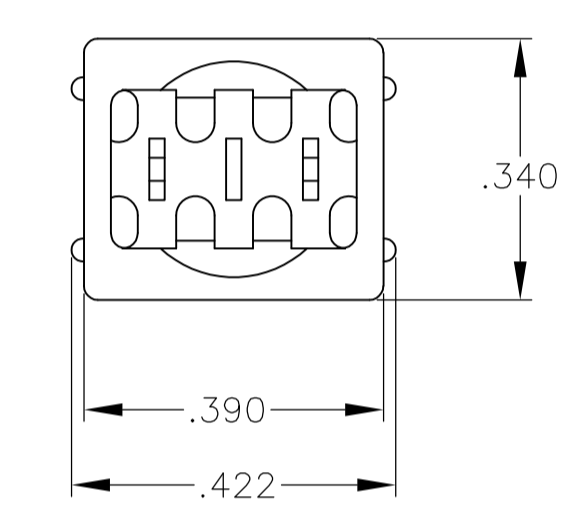
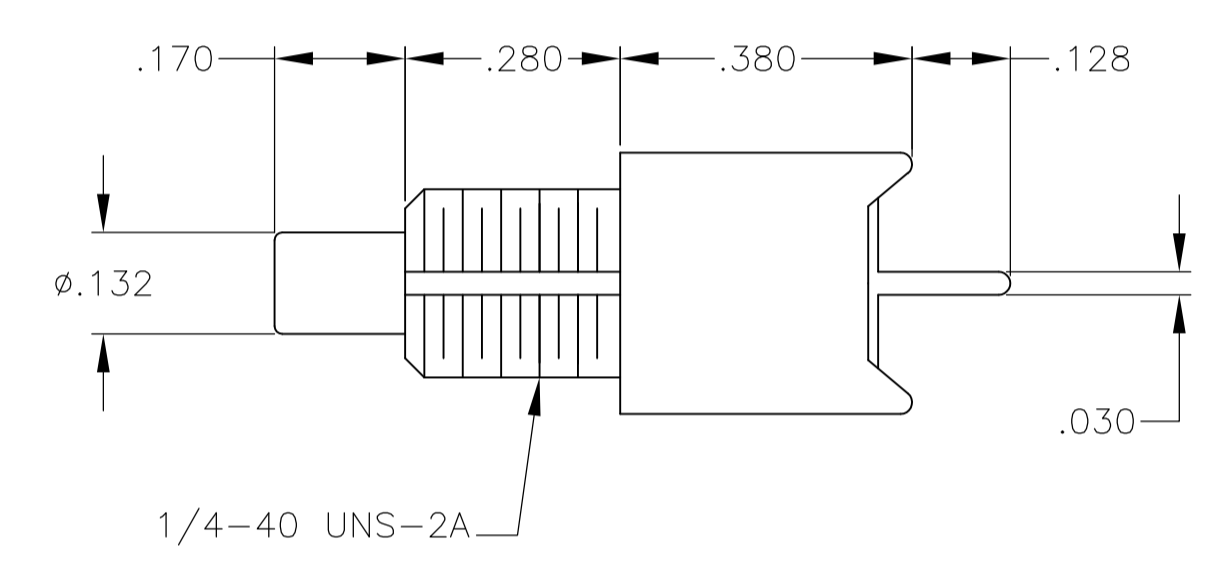
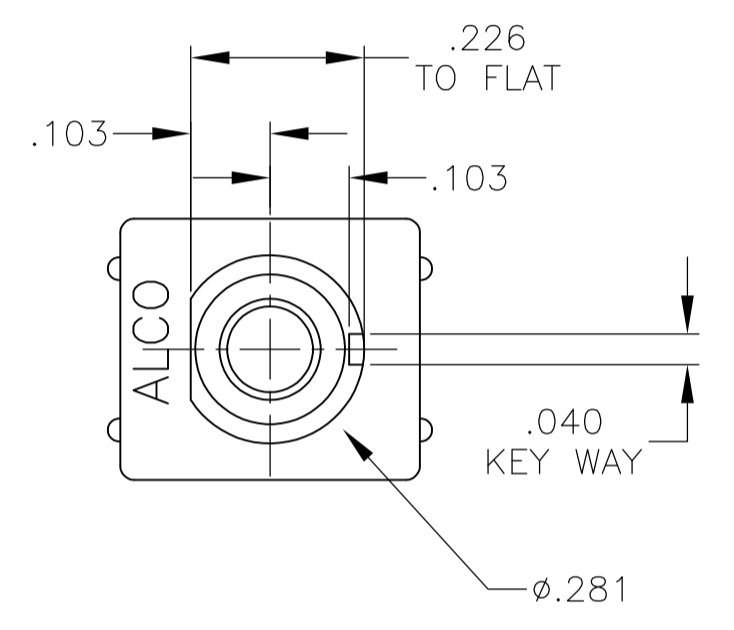


RECOMMENDED PANEL LAYOUTS

THIS DRAWING IS A CONTROLLED DOCUMENT.		DIN	12-7-05	TE Connectivity	
		CHK			
DIMENSIONS: INCHES		TOLERANCES UNLESS OTHERWISE SPECIFIED:		NAME	
		0. PLC	± .010	PRODUCT SPEC	
		1. PLC	± .010	APPLICATION SPEC	
		2. PLC	± .010	SIZE	
		3. PLC	± .010	CAGE CODE	
		4. PLC	± .010	DRAWING NO	
		ANGLES	± .5°	RESTRICTED TO	
MATERIAL		FINISH		WEIGHT	
				A1 00779C=1825100	
CUSTOMER DRAWING				SCALE	4:1
				SHEET	4 OF 5
				REV	B



RECOMMENDED PANEL LAYOUTS



RECOMMENDED PCB LAYOUT  
TOLERANCES +/- .002

TPF11CGPCES, TPF11FGPCES

THIS DRAWING IS A CONTROLLED DOCUMENT.		DIN RAGHU 12-7-05		TE Connectivity																			
DIMENSIONS: INCHES		TOLERANCES UNLESS OTHERWISE SPECIFIED:		NAME																			
<table border="1"> <tr><td>0 PL</td><td>±</td><td>-</td></tr> <tr><td>1 PL</td><td>±</td><td>-</td></tr> <tr><td>2 PL</td><td>±</td><td>-</td></tr> <tr><td>3 PL</td><td>±</td><td>.010</td></tr> <tr><td>4 PL</td><td>±</td><td>-</td></tr> <tr><td>ANGLES</td><td>±</td><td>°</td></tr> </table>		0 PL	±	-	1 PL	±	-	2 PL	±	-	3 PL	±	.010	4 PL	±	-	ANGLES	±	°	APVD		PRODUCT SPEC	
0 PL	±	-																					
1 PL	±	-																					
2 PL	±	-																					
3 PL	±	.010																					
4 PL	±	-																					
ANGLES	±	°																					
MATERIAL		FINISH		APPLICATION SPEC																			
CUSTOMER DRAWING		WEIGHT		RESTRICTED TO																			
SCALE 4:1		SHEET 5 OF 5		REV B																			



Компания «ЭлектроПласт» предлагает заключение долгосрочных отношений при поставках импортных электронных компонентов на взаимовыгодных условиях!

Наши преимущества:

- Оперативные поставки широкого спектра электронных компонентов отечественного и импортного производства напрямую от производителей и с крупнейших мировых складов;
- Поставка более 17-ти миллионов наименований электронных компонентов;
- Поставка сложных, дефицитных, либо снятых с производства позиций;
- Оперативные сроки поставки под заказ (от 5 рабочих дней);
- Экспресс доставка в любую точку России;
- Техническая поддержка проекта, помощь в подборе аналогов, поставка прототипов;
- Система менеджмента качества сертифицирована по Международному стандарту ISO 9001;
- Лицензия ФСБ на осуществление работ с использованием сведений, составляющих государственную тайну;
- Поставка специализированных компонентов (Xilinx, Altera, Analog Devices, Intersil, Interpoint, Microsemi, Aeroflex, Peregrine, Syfer, Eurofarad, Texas Instrument, Miteq, Cobham, E2V, MA-COM, Hittite, Mini-Circuits, General Dynamics и др.);

Помимо этого, одним из направлений компании «ЭлектроПласт» является направление «Источники питания». Мы предлагаем Вам помощь Конструкторского отдела:

- Подбор оптимального решения, техническое обоснование при выборе компонента;
- Подбор аналогов;
- Консультации по применению компонента;
- Поставка образцов и прототипов;
- Техническая поддержка проекта;
- Защита от снятия компонента с производства.



#### Как с нами связаться

**Телефон:** 8 (812) 309 58 32 (многоканальный)

**Факс:** 8 (812) 320-02-42

**Электронная почта:** [org@eplast1.ru](mailto:org@eplast1.ru)

**Адрес:** 198099, г. Санкт-Петербург, ул. Калинина, дом 2, корпус 4, литера А.