

**PLEASE CHECK WWW.MOLEX.COM FOR LATEST PART INFORMATION**

**Part Number:** [0365090044](#)  
**Status:** **Active**  
**Overview:** [din\\_41612](#)  
**Description:** 2.54mm (.100") Pitch DIN 41612 R Style Female Receptacle, Right Angle, Through Hole, 0.60µm (24µ") Selective Gold (Au) Plating, 64 Circuits, with Mounting Clips and Sealing Strip

**Documents:**

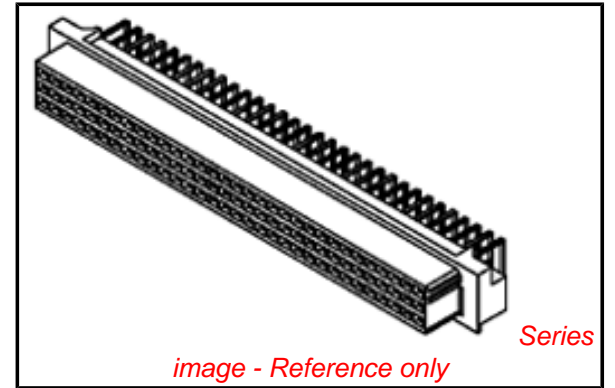
[3D Model](#) [Product Specification PS-36509-001 \(PDF\)](#)  
[Drawing \(PDF\)](#) [RoHS Certificate of Compliance \(PDF\)](#)

**General**

Product Family	Backplane Connectors
Series	<a href="#">36509</a>
Application	Daughtercard
Comments	With Mounting Clips and Sealing Strip
Component Type	PCB Receptacle
Overview	<a href="#">din_41612</a>
Product Name	IEC 603-2/DIN 41612
Style	R

**Physical**

Circuits (Loaded)	64
Circuits (maximum)	64
Circuits Detail	1,2,3,...32; a+c
Color - Resin	Gray
Durability (mating cycles max)	400
First Mate / Last Break	No
Guide to Mating Part	No
Keying to Mating Part	Yes
Material - Metal	Phosphor Bronze
Material - Plating Mating	Gold
Material - Plating Termination	Tin
Material - Resin	Polyester
Number of Columns	32
Number of Pairs	Open Pin Field
Number of Rows	2
Orientation	Right Angle
PC Tail Length (in)	0.118 In
PC Tail Length (mm)	3.00 mm
PCB Locator	No
PCB Retention	Yes
PCB Thickness Recommended (in)	0.063 In
PCB Thickness Recommended (mm)	1.60 mm
Packaging Type	Carton
Pitch - Mating Interface (in)	0.100 In
Pitch - Mating Interface (mm)	2.54 mm
Pitch - Term. Interface (in)	0.100 In
Pitch - Term. Interface (mm)	2.54 mm
Plating min: Mating (µin)	24
Plating min: Mating (µm)	0.60
Plating min: Termination (µin)	98
Plating min: Termination (µm)	2.5
Polarized to PCB	Yes
Stackable	No
Surface Mount Compatible (SMC)	No



**EU RoHS** **China RoHS**

**Compliance Status**

**Not Reviewed**

**REACH SVHC**

**Not Reviewed**

**Halogen-Free**

**Status**

**Not Reviewed**

**Need more information on product environmental compliance?**

Email [productcompliance@molex.com](mailto:productcompliance@molex.com)  
 For a multiple part number RoHS Certificate of Compliance, [click here](#)

Please visit the [Contact Us](#) section for any non-product compliance questions.

**Search Parts in this Series**

[36509Series](#)

Temperature Range - Operating -55°C to +125°C  
Termination Interface: Style Through Hole

**Electrical**

Current - Maximum per Contact 1A  
Data Rate 622.0 Mbps  
Voltage - Maximum 250V AC (RMS)

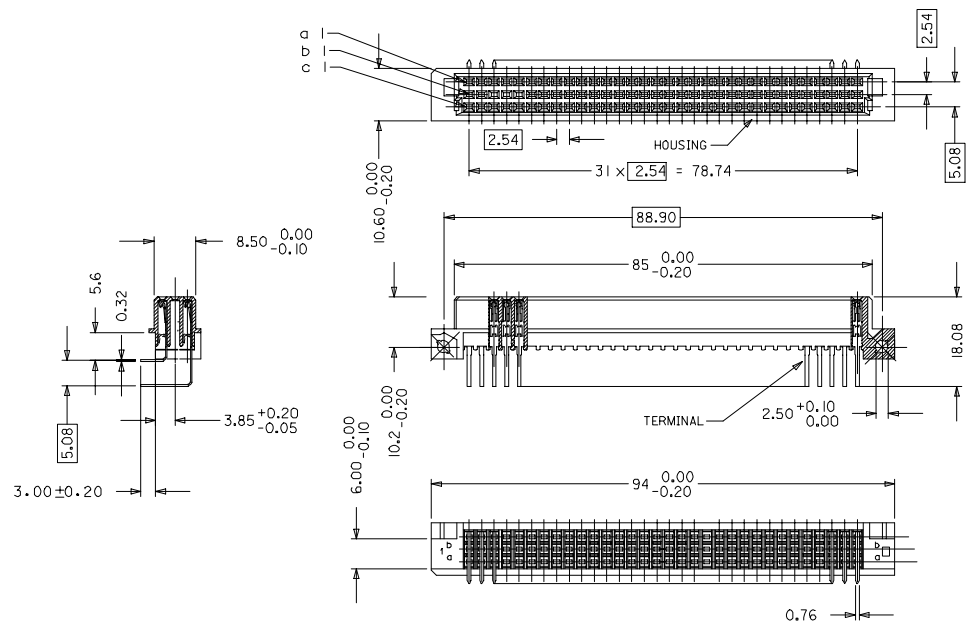
**Material Info**

**Reference - Drawing Numbers**

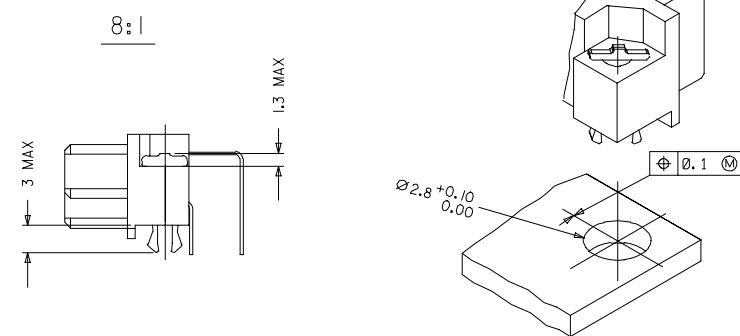
Product Specification PS-36509-001  
Sales Drawing SD-36509-002

This document was generated on 05/13/2010

**PLEASE CHECK [WWW.MOLEX.COM](http://WWW.MOLEX.COM) FOR LATEST PART INFORMATION**

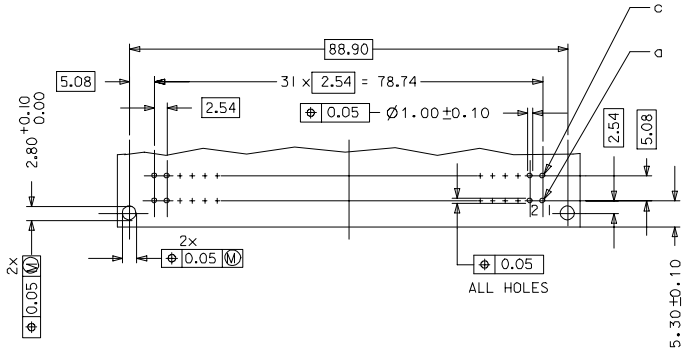


WITH MOUNTING CLIPS



- NOTES:
- MATERIALS: THERMOPLASTIC POLYESTER, GLASS FILLED, UL94V-0. COLOUR: PEBBLE GREY RAL 7032  
TERMINAL - PHOSPHOR BRONZE  
MOUNTING CLIP: STEEL
  - FINISH: TERMINAL:-  
CONTACT AREA  
1. PERFORMANCE LEVEL 1: SELECTIVE GOLD (Au), THICKNESS = 1.1 MICROMETER OVER NICKEL, THICKNESS = 1.25 MICROMETER  
2. PERFORMANCE LEVEL 2: SELECTIVE GOLD (Au), THICKNESS = 0.6 MICROMETER OVER NICKEL, THICKNESS = 1.25 MICROMETER  
3. PERFORMANCE LEVEL 3: SELECTIVE GOLD (Au), THICKNESS = 0.3 MICROMETER OVER NICKEL, THICKNESS = 1.25 MICROMETER  
TERMINATION AREA: SELECTIVE TIN, THICKNESS = 2.5 MICROMETER OVER NICKEL, THICKNESS = 1.25 MICROMETER OVERALL
  - MOUNTING CLIP:-  
TIN (Sn), THICKNESS = 5-10 MICROMETER, OVER NICKEL (Ni), THICKNESS = 2.5 MICROMETER
  - FOR NON MOUNTING CLIP OPTION, CONNECTOR TO BE SECURED WITH RIVETS: 2 TUBULAR RIVETS 2.5 x 0.3 ... DIN 7340  
SCREWS: CHEESEHEAD SCREWS M2.5 x .... DIN 84 AND 2 HEXAGONAL NUTS M 2.5 DIN 934
  - MATERIAL No, BATCH CODE, UL AND CSA MARKING TO BE PRINTED ON CONNECTOR
  - CUT FACE OF TIP WITHOUT PLATING PERMITTED
  - PRODUCT SPECIFICATION : PS-36509-001

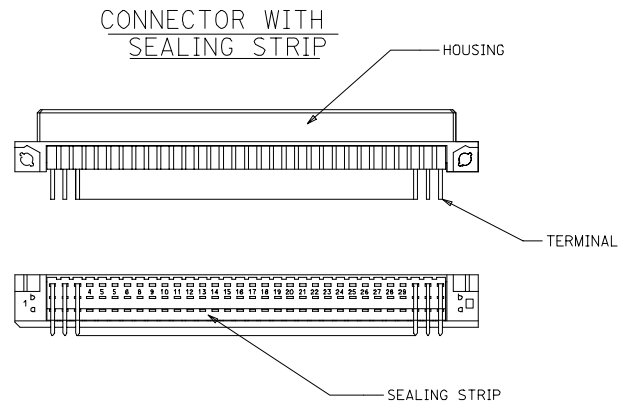
RECOMMENDED PCB LAYOUT  
COMPONENT SIDE



RoHS COMPLIANT

EC No: P007-0044 DRWNGSATTI/MARAD 2006/10/10 CHKDSSUDHIR 2006/10/10 APPR:SSUDHIR 2006/10/10	QUALITY SYMBOLS	GENERAL TOLERANCES (UNLESS SPECIFIED)	DIMENSION STYLE	SCALE	DESIGN UNITS	THIRD ANGLE PROJECTION
	▽=0 ▽=0	[mm] INCH 4 PLACES ± --- ± --- 3 PLACES ± 0.05 ± --- 2 PLACES ± 0.1 ± --- 1 PLACE ± 0.15 ± --- ANGULAR ± 2°	MM ONLY	2:1	METRIC	ASSEMBLY, DIN41612 R FEMALE, 64 POS A+C LOADED
D1	DRAFT WHERE APPLICABLE MUST REMAIN WITHIN DIMENSIONS	DRAWN BY: SS CHECKED BY: GJLOWE APPROVED BY: GJLOWE DATE: 1999/10/08	MATERIAL NO. SEE CHART	DOCUMENT NO. SD-36509-002	MOLEX INCORPORATED	SHEET NO. 1 OF 2
			THIS DRAWING CONTAINS INFORMATION THAT IS PROPRIETARY TO MOLEX INCORPORATED AND SHOULD NOT BE USED WITHOUT WRITTEN PERMISSION			

MATERIAL No	MOLEX ENG No	PERF LEVEL	PLATING	CONTACT SEQUENCE/ROW	MOUNTING CLIP	SEALING STRIP
36509-0025	MM-B2400-R963	1	Au+Ni	1,2,3....32 a+c	NO	NO
36509-0026	MM-B2500-R963	2	Au+Ni	1,2,3....32 a+c	NO	NO
36509-0027	MM-B2600-R963	3	Au+Ni	1,2,3....32 a+c	NO	NO
36509-0031	MM-B2400-R913	1	Au+Ni	1,2,3....32 a+c	YES	NO
36509-0032	MM-B2500-R913	2	Au+Ni	1,2,3....32 a+c	YES	NO
36509-0033	MM-B2600-R913	3	Au+Ni	1,2,3....32 a+c	YES	NO
36509-0037	MM-B2400-R963-101	1	Au+Ni	1,2,3....32 a+c	NO	YES
36509-0038	MM-B2500-R963-101	2	Au+Ni	1,2,3....32 a+c	NO	YES
36509-0039	MM-B2600-R963-101	3	Au+Ni	1,2,3....32 a+c	NO	YES
36509-0043	MM-B2400-R913-101	1	Au+Ni	1,2,3....32 a+c	YES	YES
36509-0044	MM-B2500-R913-101	2	Au+Ni	1,2,3....32 a+c	YES	YES
36509-0045	MM-B2600-R913-101	3	Au+Ni	1,2,3....32 a+c	YES	YES



RoHS COMPLIANT

EC No: 2007/0044 DRAWING: DRWINGATTI/MARAD 2006/10/10 CHECKED BY: CHIKKOSUDHAR 2006/10/11 APPROVED BY: APPR:SSUDHAR 2006/10/16	QUALITY SYMBOLS	GENERAL TOLERANCES (UNLESS SPECIFIED)	DIMENSION STYLE	SCALE	DESIGN UNITS	THIRD ANGLE PROJECTION															
	$\nabla=0$ $\nabla=0$	<table border="1"> <thead> <tr> <th></th> <th>mm</th> <th>INCH</th> </tr> </thead> <tbody> <tr> <td>4 PLACES</td> <td><math>\pm 0.15</math></td> <td><math>\pm 0.005</math></td> </tr> <tr> <td>3 PLACES</td> <td><math>\pm 0.05</math></td> <td><math>\pm 0.002</math></td> </tr> <tr> <td>2 PLACES</td> <td><math>\pm 0.1</math></td> <td><math>\pm 0.004</math></td> </tr> <tr> <td>1 PLACE</td> <td><math>\pm 0.15</math></td> <td><math>\pm 0.006</math></td> </tr> </tbody> </table>		mm	INCH	4 PLACES	$\pm 0.15$	$\pm 0.005$	3 PLACES	$\pm 0.05$	$\pm 0.002$	2 PLACES	$\pm 0.1$	$\pm 0.004$	1 PLACE	$\pm 0.15$	$\pm 0.006$	MM ONLY	2:1	METRIC	
		mm	INCH																		
	4 PLACES	$\pm 0.15$	$\pm 0.005$																		
3 PLACES	$\pm 0.05$	$\pm 0.002$																			
2 PLACES	$\pm 0.1$	$\pm 0.004$																			
1 PLACE	$\pm 0.15$	$\pm 0.006$																			
DRAFT WHERE APPLICABLE MUST REMAIN WITHIN DIMENSIONS	SEE CHART	DRAWN BY: SS 1999/09/24 CHECKED BY: G.J.LOWE 1999/09/24 APPROVED BY: G.J.LOWE 1999/09/24	MATERIAL NO. SD-36509-002 DOCUMENT NO. SD-36509-002 SHEET NO. 2 OF 2																		
D1	MOLEX INCORPORATED	THIS DRAWING CONTAINS INFORMATION THAT IS PROPRIETARY TO MOLEX INCORPORATED AND SHOULD NOT BE USED WITHOUT WRITTEN PERMISSION																			



Компания «ЭлектроПласт» предлагает заключение долгосрочных отношений при поставках импортных электронных компонентов на взаимовыгодных условиях!

Наши преимущества:

- Оперативные поставки широкого спектра электронных компонентов отечественного и импортного производства напрямую от производителей и с крупнейших мировых складов;
- Поставка более 17-ти миллионов наименований электронных компонентов;
- Поставка сложных, дефицитных, либо снятых с производства позиций;
- Оперативные сроки поставки под заказ (от 5 рабочих дней);
- Экспресс доставка в любую точку России;
- Техническая поддержка проекта, помощь в подборе аналогов, поставка прототипов;
- Система менеджмента качества сертифицирована по Международному стандарту ISO 9001;
- Лицензия ФСБ на осуществление работ с использованием сведений, составляющих государственную тайну;
- Поставка специализированных компонентов (Xilinx, Altera, Analog Devices, Intersil, Interpoint, Microsemi, Aeroflex, Peregrine, Syfer, Eurofarad, Texas Instrument, Miteq, Cobham, E2V, MA-COM, Hittite, Mini-Circuits, General Dynamics и др.);

Помимо этого, одним из направлений компании «ЭлектроПласт» является направление «Источники питания». Мы предлагаем Вам помощь Конструкторского отдела:

- Подбор оптимального решения, техническое обоснование при выборе компонента;
- Подбор аналогов;
- Консультации по применению компонента;
- Поставка образцов и прототипов;
- Техническая поддержка проекта;
- Защита от снятия компонента с производства.



#### Как с нами связаться

**Телефон:** 8 (812) 309 58 32 (многоканальный)

**Факс:** 8 (812) 320-02-42

**Электронная почта:** [org@eplast1.ru](mailto:org@eplast1.ru)

**Адрес:** 198099, г. Санкт-Петербург, ул. Калинина, дом 2, корпус 4, литера А.