

QUICK START GUIDE FOR DEMONSTRATION CIRCUIT 916

LOW NOISE REGULATED CHARGE PUMP IN 2X2 DFN


LTC3204B-5 and LTC3204B-3.3

DESCRIPTION

Demonstration circuit 916 is a low noise regulated charge pump in 2X2 DFN. There are two assembly versions, DC916A-A and DC916A-B for featuring LTC3204B-5 and LTC3204B-3.3 respectively. The DC916A-A produces a regulated 5V output from a 2.7V to 5.5V input. The guaranteed output load current is **150mA** for V_{IN} between 3.1V and 5.5V, and 65mA for V_{IN} less than 3.1V. The DC916A-B produces a regulated 3.3V output from a 1.8V to 4.5V input. The guaranteed output current is 50mA from V_{IN} between 1.9V and 4.5V, and 40mA for V_{IN} less than 1.9V. The circuit requires only three tiny 0603 surface mount capacitors and consumes minimal board

space. No inductor and diode are needed. The circuit features constant frequency operation at any load. Built-in soft-start circuitry prevents excessive inrush current during start-up. Thermal shutdown and current-limit circuitry allow the parts to survive a continuous output short circuit from V_{OUT} to GND. These circuits are particularly useful in applications that require low V_{OUT} ripple and extremely small size.

Design files for this circuit board are available. Call the LTC factory.

 , LTC and LT are registered trademarks of Linear Technology Corporation.

PERFORMANCE SUMMARY

PARAMETER	CONDITION	MIN	TYP	MAX
Input Voltage Range	DC916A-A (LTC3204B-5)	2.7V		5.5V
	DC916A-B (LTC3204B-3.3)	1.8V		4.5V
Output Voltage V_{OUT}	DC916A-A (LTC3204B-5) 3.1V < V_{IN} < 5.5V, I_{OUT} < 150mA 2.7V < V_{IN} < 5.5V, I_{OUT} < 65mA	4.8V	5V	5.2V
	DC916A-B (LTC3204B-3.3) 1.9V < V_{IN} < 4.5V, I_{OUT} < 50mA 1.8V < V_{IN} < 4.5V, I_{OUT} < 40mA	3.168V	3.3V	3.432V
Output Ripple V_{OUT}	$V_{IN} = 3.6V$, $I_{OUT} = 150mA$ (DC916A-A)		20mV _{P-P}	50mV _{P-P}
	$V_{IN} = 2.4V$, $I_{OUT} = 50mA$ (DC916A-B)		10mV _{P-P}	20mV _{P-P}
Nominal Switching Frequency			1.2MHz	
Efficiency	$V_{IN} = 3.0V$, $I_{OUT} = 100mA$ (DC916A-A)		81.2%	
	$V_{IN} = 1.8V$, $I_{OUT} = 20mA$ (DC916A-B)		90.2%	

QUICK START PROCEDURE

Demonstration circuit 916 is easy to set up to evaluate the performance of the LTC3204B-5 and LTC3204B-3.3. Refer to Figure 1 for proper measurement equipment setup and follow the procedure below:

NOTE: When measuring the input or output voltage ripple, care must be taken to avoid a long ground lead on the oscilloscope probe. Measure the input or output voltage ripple by touching the probe tip directly across the V_{IN} or V_{OUT} and GND terminals. See Figure 2 for proper scope probe technique.

- Place jumpers in the following positions:

JP1 ON

- With power off, connect the input power supply to V_{IN} and GND terminals.

- Connect the load between V_{OUT} and GND terminals.
- Turn on the power at the input.

NOTE: Make sure that the input voltage does not exceed 5.5V for DC916A-A or 4.5V for DC916A-B. To prevent input voltage overshoot when the circuit is connected to a live supply, an aluminum electrolytic capacitor can be added to bypass the V_{IN} at the input terminals. See Linear Technology Application Note 88 for a complete discussion.

- Check for the proper output voltages. $V_{OUT} = 4.8V$ to $5.2V$ for DC916A-A, $V_{OUT} = 3.168V$ to $3.432V$ for DC916A-B

NOTE: If there is no output, temporarily disconnect the load to make sure that the load is not set too high.

- Once the proper output voltages are established, adjust the loads within the operating range and observe the output voltage regulation, ripple voltage, efficiency and other parameters.

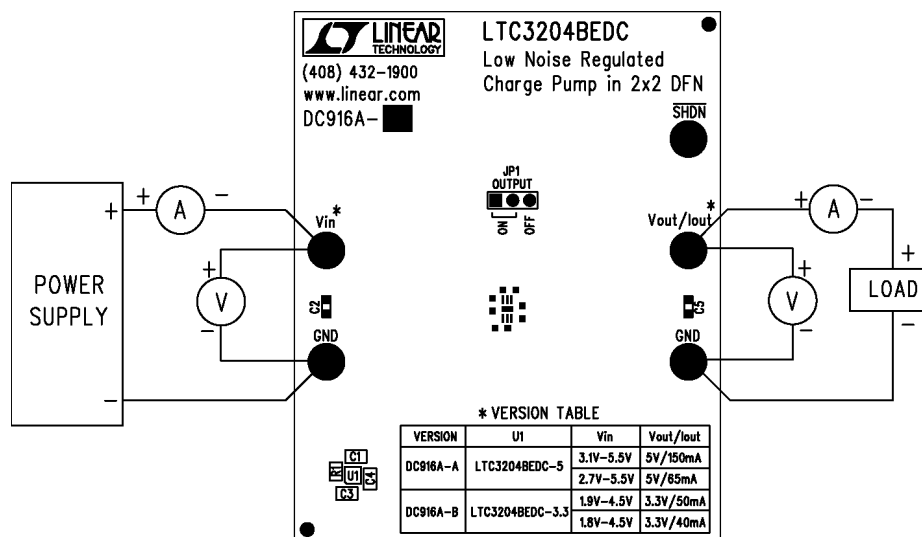


Figure 1. Proper Measurement Equipment Setup

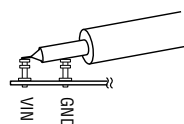


Figure 2. Measuring Input or Output Ripple

OPERATING PRINCIPLES

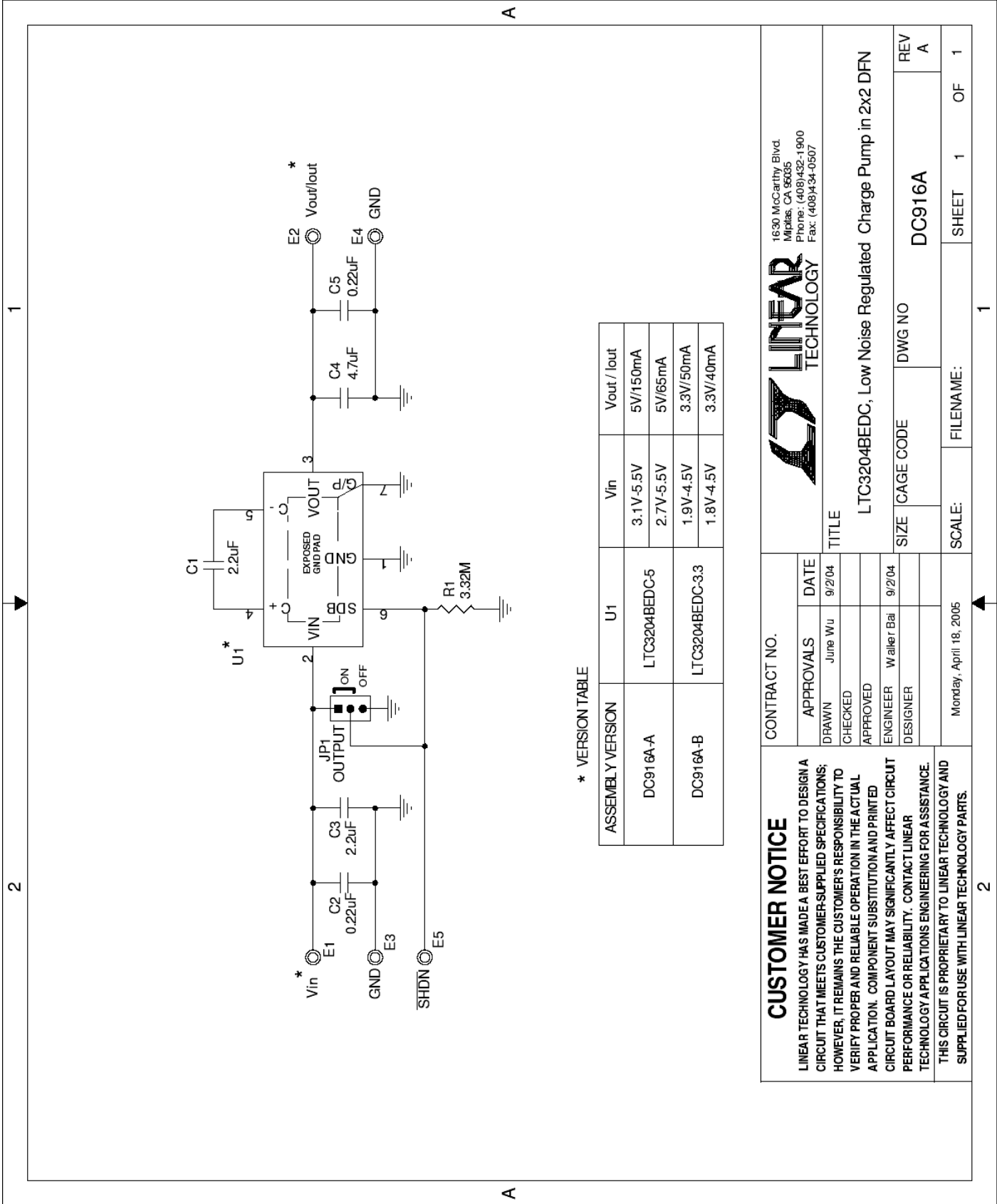
The LTC3204B-5/LTC3204B-3.3 use switched capacitor charge pump to boost V_{IN} to a regulated voltage. Regulation is achieved by sensing the output voltage through an internal resistor divider and by modulating the charge pump output current based on the error signal. A 2-phase non-overlapping clock activates the charge pump switches. The flying capacitor is charged from V_{IN} on the first phase of the clock. On

the second phase of the clock, it is stacked in series with V_{IN} and connected to V_{OUT} . This sequence of charging and discharging the flying capacitor continues at a free running frequency of 1.2MHz.

The LTC3204B datasheet gives complete description of the part, operation and application information. The datasheet must be read in conjunction with this quick start guide for demo circuit 916.

QUICK START GUIDE FOR DEMONSTRATION CIRCUIT 916

LOW NOISE REGULATED CHARGE PUMP IN 2X2 DFN



1630 McCarthy Blvd.
 Milpitas, CA 95035
 Phone: (408)432-1900
 Fax: (408)434-0807

TITLE
 LTC3204BDC, Low Noise Regulated Charge Pump in 2x2 DFN

SIZE CAGE CODE DWG NO DC916A REV A



Компания «ЭлектроПласт» предлагает заключение долгосрочных отношений при поставках импортных электронных компонентов на взаимовыгодных условиях!

Наши преимущества:

- Оперативные поставки широкого спектра электронных компонентов отечественного и импортного производства напрямую от производителей и с крупнейших мировых складов;
- Поставка более 17-ти миллионов наименований электронных компонентов;
- Поставка сложных, дефицитных, либо снятых с производства позиций;
- Оперативные сроки поставки под заказ (от 5 рабочих дней);
- Экспресс доставка в любую точку России;
- Техническая поддержка проекта, помощь в подборе аналогов, поставка прототипов;
- Система менеджмента качества сертифицирована по Международному стандарту ISO 9001;
- Лицензия ФСБ на осуществление работ с использованием сведений, составляющих государственную тайну;
- Поставка специализированных компонентов (Xilinx, Altera, Analog Devices, Intersil, Interpoint, Microsemi, Aeroflex, Peregrine, Syfer, Eurofarad, Texas Instrument, Miteq, Cobham, E2V, MA-COM, Hittite, Mini-Circuits, General Dynamics и др.);

Помимо этого, одним из направлений компании «ЭлектроПласт» является направление «Источники питания». Мы предлагаем Вам помощь Конструкторского отдела:

- Подбор оптимального решения, техническое обоснование при выборе компонента;
- Подбор аналогов;
- Консультации по применению компонента;
- Поставка образцов и прототипов;
- Техническая поддержка проекта;
- Защита от снятия компонента с производства.



Как с нами связаться

Телефон: 8 (812) 309 58 32 (многоканальный)

Факс: 8 (812) 320-02-42

Электронная почта: org@eplast1.ru

Адрес: 198099, г. Санкт-Петербург, ул. Калинина, дом 2, корпус 4, литера А.