

PLEASE CHECK WWW.MOLEX.COM FOR LATEST PART INFORMATION

Part Number: [5017450801](#)
Status: **Active**
Overview: [slimstack_mm016_pitch](#)
Description: 0.40mm (.016") Pitch SlimStack™ Board-to-Board Plug, Surface Mount, Dual Row, Vertical, Lead-free, 80 Circuits

Documents:

[3D Model](#) [Product Specification PS-51338-003 \(PDF\)](#)
[Drawing \(PDF\)](#) [RoHS Certificate of Compliance \(PDF\)](#)

General

Product Family	PCB Headers
Series	501745
Application	Board-to-Board
Comments	Solder Tab Plating: Tin
Overview	slimstack_mm016_pitch
Product Name	SlimStack™

Physical

Breakaway	No
Circuits (Loaded)	80
Color - Resin	Black
Durability (mating cycles max)	30
Glow-Wire Compliant	No
Keying to Mating Part	None
Lock to Mating Part	Yes
Mated Height (in)	0.079 In
Mated Height (mm)	2.00 mm
Material - Metal	Brass, Phosphor Bronze
Material - Plating Mating	Gold
Material - Plating Termination	Gold
Number of Rows	2
Orientation	Vertical
PCB Locator	No
PCB Retention	Yes
Packaging Type	Embossed Tape on Reel
Pitch - Mating Interface (in)	0.016 In
Pitch - Mating Interface (mm)	0.40 mm
Polarized to Mating Part	No
Polarized to PCB	No
Stackable	No
Temperature Range - Operating	-25°C to +85°C
Termination Interface: Style	Surface Mount

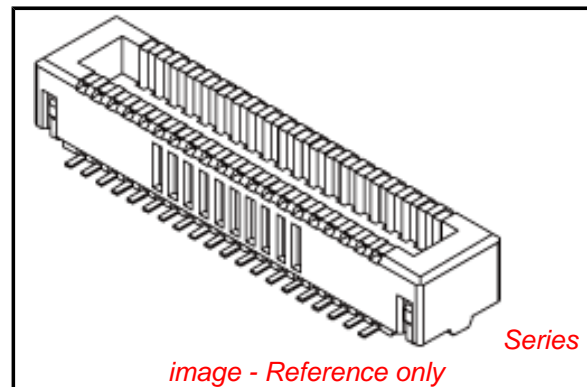
Electrical

Current - Maximum per Contact	0.3A
Voltage - Maximum	50V AC (RMS)/DC

Material Info

Reference - Drawing Numbers

Packaging Specification	SPK-501745-001
Product Specification	PS-51338-003, RPS-51338-029
Sales Drawing	SD-501745-001, SD-501745-002



EU RoHS

ELV and RoHS Compliant
REACH SVHC
 Not Reviewed
Halogen-Free Status
 Not Reviewed

China RoHS



Need more information on product environmental compliance?

Email productcompliance@molex.com
 For a multiple part number RoHS Certificate of Compliance, [click here](#)

Please visit the [Contact Us](#) section for any non-product compliance questions.

Search Parts in this Series

[501745Series](#)

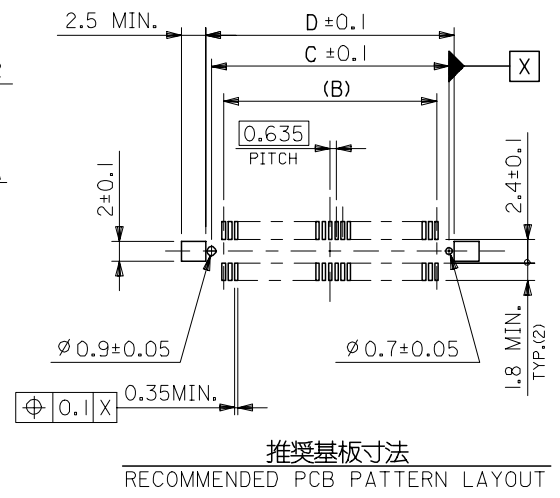
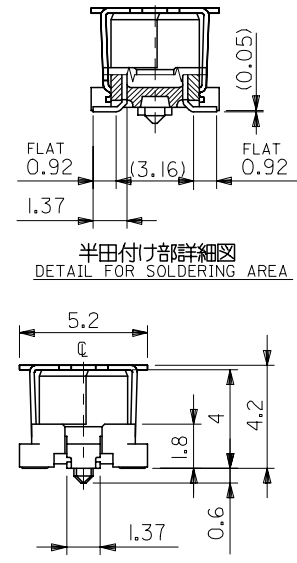
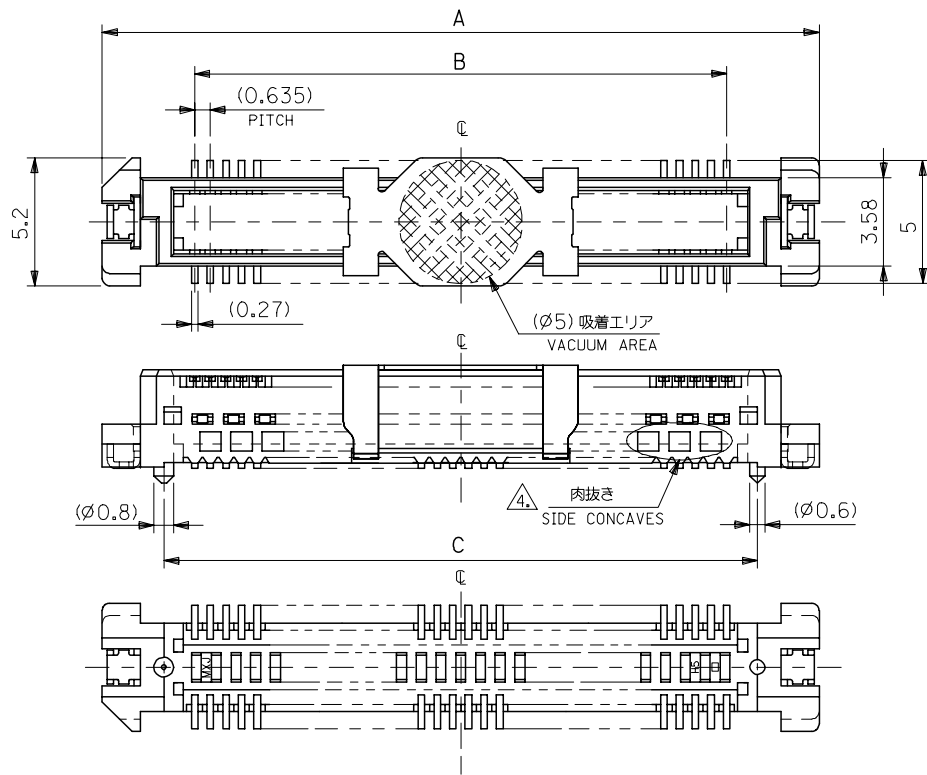
Mates With

[51338 PCB Receptacle](#)

This document was generated on 05/26/2010

PLEASE CHECK WWW.MOLEX.COM FOR LATEST PART INFORMATION

10 9 8 7 6 5 4 3 2 1



注) NOTES

1. 材質 MATERIAL
ハウジング: ガラス入りLCP、白色、UL94V-0
HOUSING: G.F.LCP, WHITE, UL94V-0
ターミナル: 銅合金 (t=0.2)
TERMINAL: COPPER ALLOY
吸着カバー: ステンレス (t=0.2)
VACUUM COVER: STAINLESS STEEL
2. メッキ仕様 PLATING
接点部 : 金メッキ 0.76 μmMIN.
CONTACT AREA: GOLD 0.76 μmMIN.
半田付け部: 錫メッキ: 1.0 μmMIN.
SOLDER TAIL AREA: TIN 1.0 μmMIN.
下地メッキ: ニッケルメッキ 1.5 μmMIN.
UNDER-PLATING: NICKEL 1.5 μmMIN.
3. テールのバラツキ寸法 TAIL COPLANARITY
テール平坦度は、0.1 MAX. とする。
TAILS COPLANARITY TO BE 0.1 MAX.
4. 側面の肉抜きは140種以上に適用。
SIDE CONCAVES TO BE APPLICABLE TO 140 CKT. AND MORE.

28.37	27.27	24.765	32.27	501750-0874	501750-0872	80	○
D	C	B	A	エンボス梱包 (EMBOSSED PACKAGING)	製品番号 (MATERIAL NO.)	種数 (CKT. NO.)	量産対応 (AVAILABLE)

RELEASED EC NO: J2005-2905 DRAWN: KENSUZUKI 2005/04/12 CHK'D: NUKITA 2005/04/12 APPR: NUKITA 2005/04/13	GENERAL TOLERANCES (UNLESS SPECIFIED)		DIMENSION STYLE MM ONLY		SCALE ---	DESIGN UNITS METRIC	THIRD ANGLE PROJECTION
	10 UNDER	±0.2	DRAWN BY KENSUZUKI	DATE 2005/04/01	TITLE 0.635 B/B CONN. PLUG HS'G ASS'Y <AU:0.76> -LEAD FREE-		
	10 OVER 30 UNDER	±0.25	CHECKED BY NUKITA	DATE 2005/04/01	APPROVED BY MOLEX INCORPORATED		
	30 OVER	±0.3	APPROVED BY NUKITA	DATE 2005/04/01	DOCUMENT NO. SD-501750-001		
0	ANGULAR ±3 °	DRAFT WHERE APPLICABLE MUST REMAIN WITHIN DIMENSIONS		SEE CHART		SHEET NO. 1 OF 1	
THIS DRAWING CONTAINS INFORMATION THAT IS PROPRIETARY TO MOLEX INCORPORATED AND SHOULD NOT BE USED WITHOUT WRITTEN PERMISSION							

F

E

D

C

B

A

F

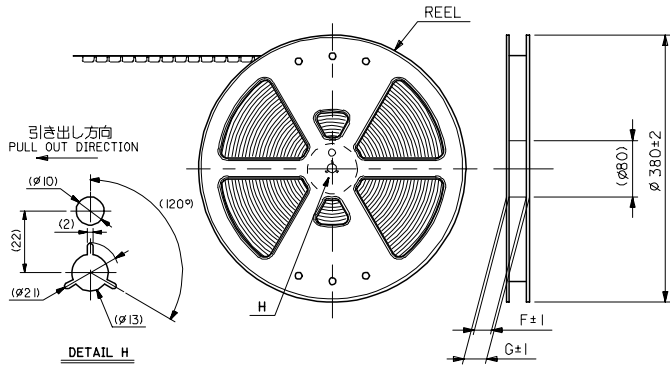
E

D

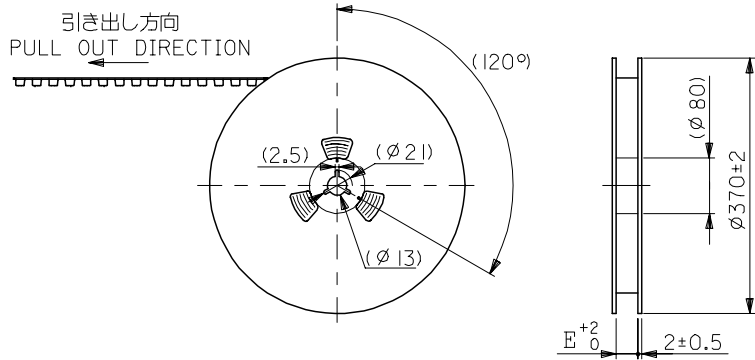
C

B

A



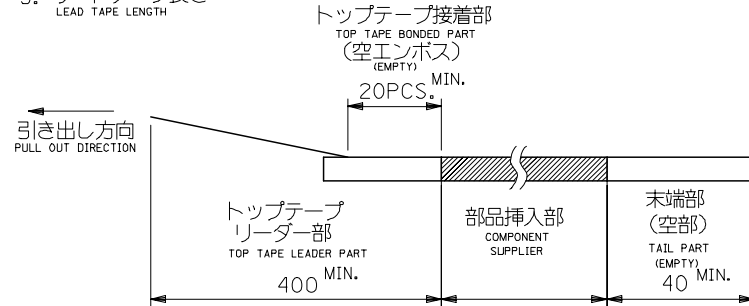
キャリアテープ幅 : 24mm~56mm
CARRIER TAPE WIDTH : 24mm-56mm



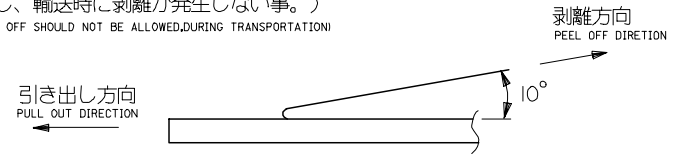
キャリアテープ幅 : 7.2mm
CARRIER TAPE WIDTH : 7.2mm

注)
NOTES

- 製品番号 501750-**72 の詳細寸法(01750)では、SD-501750-001 を参照下さい。
IN THE PACKAGE, PART NO. 501750-**72 DETAILED DIMENSIONS, SEE SD-501750-001.
- 梱包数量 : 1000個/リール
NUMBER OF CONNECTORS : 1000 PCS/REEL
- リードテープ長さ
LEAD TAPE LENGTH



- トップテープの剥離強度 (剥離方向は下図参照)
PEELING OFF FORCE OF TOP TAPE (PEELING DIRECTION AS SHOWN IN FOLLOWING FIG.)
0.1~1.3N (10~130gf)
尚、本規格値は、出荷時に適用。
THIS REQUIREMENT SHOULD BE APPLIED AT SHIPMENT
(但し、輸送時に剥離が発生しない事。)
(PEEL OFF SHOULD NOT BE ALLOWED DURING TRANSPORTATION)



- 材料
MATERIAL
キャリアテープ : ポリプロピレン (PP)
CARRIER TAPE : POLYPROPYLENE (PP)
トップテープ : PET, PE, PEF
TOP TAPE : PET, PE, PEF
リール
REEL : キャリアテープ幅 24mm~56mm : ポリスチレン
CARRIER TAPE WIDTH 24mm-56mm : POLYSTYRENE
キャリアテープ幅 7.2mm : 紙
CARRIER TAPE WIDTH 7.2mm : CARD BOARD

RELEASED EC NO: J2005-2905 DRAWN: KENSUZUKI 2005/04/12 CHYKD: NUKITA 2005/04/12 APPR: NUKITA 2005/04/13	GENERAL TOLERANCES (UNLESS SPECIFIED)		DIMENSION STYLE MM ONLY		SCALE ---	DESIGN UNITS METRIC	THIRD ANGLE PROJECTION	
	10 UNDER	±0.2	DRAWN BY KENSUZUKI	DATE 2005/04/01	TITLE 501750-**72 TAPING PACKAGE -LEAD FREE-			
	10 OVER 30 UNDER	±0.25	CHECKED BY NUKITA	DATE 2005/04/01	MOLEX MOLEX INCORPORATED			
	30 OVER	±0.3	APPROVED BY NUKITA	DATE 2005/04/01	DOCUMENT NO. SD-501750-002	SHEET NO. 1 OF 2		
0	ANGULAR ±3 °	DRAFT WHERE APPLICABLE MUST REMAIN WITHIN DIMENSIONS		SEE CHART		THIS DRAWING CONTAINS INFORMATION THAT IS PROPRIETARY TO MOLEX INCORPORATED AND SHOULD NOT BE USED WITHOUT WRITTEN PERMISSION		

10 9 8 7 6 5 4 3 2 1

F

E

D

C

B

A

F

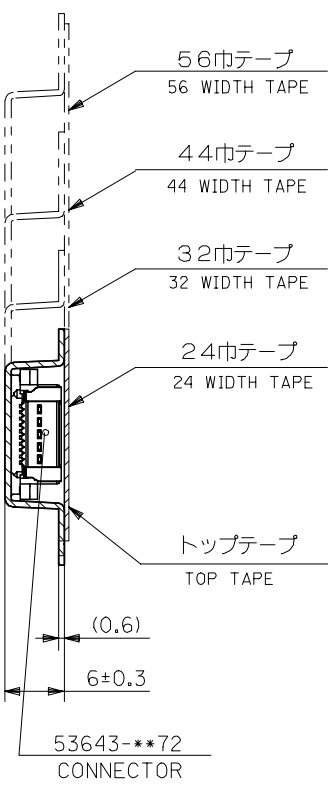
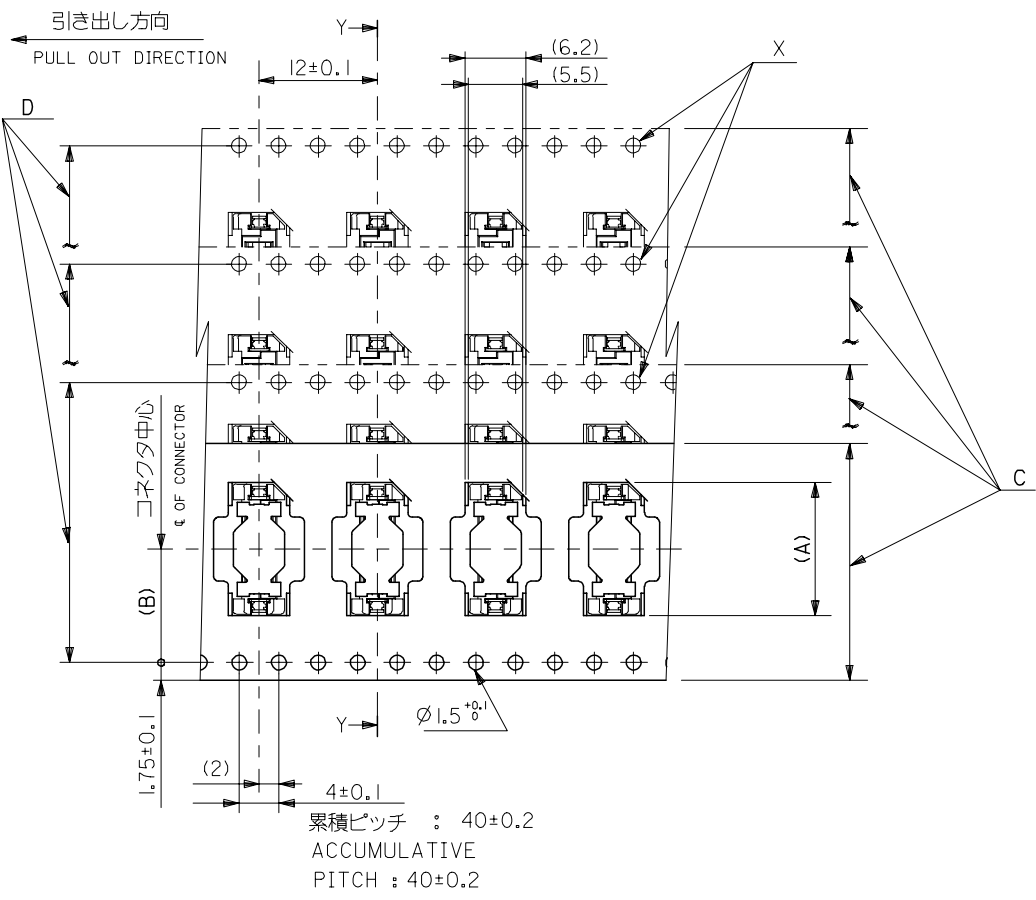
E

D

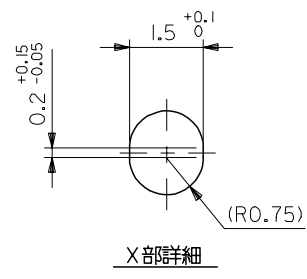
C

B

A



断面 Y-Y
SECTION Y-Y



49.4	45.4	40.4	44 ^{+0.3}	20.2	32.6	501750-0874	80	○
G	F	D	C	キャリアテープ幅 C CARRIER TAPE WIDTH	(B)	(A)	MATERIAL NO.	極数 NO. OF CXTS. AVAILABLE

RELEASED EC NO: J2005-2905 DRAWN: KENSUZUKI 2005/04/12 CHKD: NUKITA 2005/04/12 APPR: NUKITA 2005/04/13	GENERAL TOLERANCES (UNLESS SPECIFIED)		DIMENSION STYLE MM ONLY		SCALE 10:1	DESIGN UNITS METRIC	THIRD ANGLE PROJECTION	
	10 UNDER	±0.2	DRAWN BY KENSUZUKI		DATE 2005/04/01	TITLE 501750-**72 TAPING PACKAGE -LEAD FREE-		
	10 OVER 30 UNDER	±0.25	CHECKED BY NUKITA		DATE 2005/04/01	APPROVED BY MOLEX INCORPORATED		
	30 OVER	±0.3	APPROVED BY NUKITA		DATE 2005/04/01	DOCUMENT NO. SD-501750-002	SHEET NO. 2 OF 2	
	ANGULAR	±1 °	MATERIAL NO. SEE CHART					
0	DRAFT WHERE APPLICABLE MUST REMAIN WITHIN DIMENSIONS		SIZE A3		THIS DRAWING CONTAINS INFORMATION THAT IS PROPRIETARY TO MOLEX INCORPORATED AND SHOULD NOT BE USED WITHOUT WRITTEN PERMISSION			



Компания «ЭлектроПласт» предлагает заключение долгосрочных отношений при поставках импортных электронных компонентов на взаимовыгодных условиях!

Наши преимущества:

- Оперативные поставки широкого спектра электронных компонентов отечественного и импортного производства напрямую от производителей и с крупнейших мировых складов;
- Поставка более 17-ти миллионов наименований электронных компонентов;
- Поставка сложных, дефицитных, либо снятых с производства позиций;
- Оперативные сроки поставки под заказ (от 5 рабочих дней);
- Экспресс доставка в любую точку России;
- Техническая поддержка проекта, помощь в подборе аналогов, поставка прототипов;
- Система менеджмента качества сертифицирована по Международному стандарту ISO 9001;
- Лицензия ФСБ на осуществление работ с использованием сведений, составляющих государственную тайну;
- Поставка специализированных компонентов (Xilinx, Altera, Analog Devices, Intersil, Interpoint, Microsemi, Aeroflex, Peregrine, Syfer, Eurofarad, Texas Instrument, Miteq, Cobham, E2V, MA-COM, Hittite, Mini-Circuits, General Dynamics и др.);

Помимо этого, одним из направлений компании «ЭлектроПласт» является направление «Источники питания». Мы предлагаем Вам помощь Конструкторского отдела:

- Подбор оптимального решения, техническое обоснование при выборе компонента;
- Подбор аналогов;
- Консультации по применению компонента;
- Поставка образцов и прототипов;
- Техническая поддержка проекта;
- Защита от снятия компонента с производства.



Как с нами связаться

Телефон: 8 (812) 309 58 32 (многоканальный)

Факс: 8 (812) 320-02-42

Электронная почта: org@eplast1.ru

Адрес: 198099, г. Санкт-Петербург, ул. Калинина, дом 2, корпус 4, литера А.