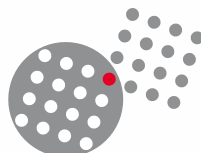




8D Series

MIL-DTL-38999 Series III



SOURIAU
Connection Technology



Contents

Overview

- MIL-DTL-38999: A universal product platform 04
- 8D Series - Presentation 05
- Product overview 06
- A superior concept 07
- A performing MIL standard connector design 08
- Technical features & benefits 09
- Contact layouts 11
- Contact layouts (matrix) 15

Standard Series

- **Aluminum Series**
 - Part numbers 18
 - Dimensions 20
 - Backshells 23
 - Dummy receptacle 28
 - Caps 29
 - Connectors weight 30
- **Composite Series**
 - Part numbers 32
 - Dimensions 34
 - Backshells 36
 - Connectors weight 37
- **Stainless Steel Series**
 - Part numbers 40
 - Dimensions 42
 - Connectors weight 45
- **Titanium Series**
 - Part numbers 48
 - Dimensions 49
 - Connectors weight 52
- **Bronze Series**
 - Part numbers 54
 - Dimensions 55
 - Backshells 58
 - Dummy receptacle 62
 - Caps 63

Common Section

- Contents 64
- Orientations 65
- Panel cut-out 65
- Crimp contacts 66
- Straight PC tail contacts 68
- Coaxial contacts #12 69
- Solder cup 69
- Crimp contacts: 1500 mating 69
- Wire wrap contacts 69
- Quadrax #8 contacts 69
- Thermocouple contacts 70
- Dummy contacts 70
- Filler plugs 70
- Insertion and extraction tools 71
- Crimping tools 71
- Wiring instruction 72
- Gaskets 74
- Plastic protective caps 74

Derived Series

- Reinforced sealing Series 75
- Hermetic Series 77
- Clinch nuts 81
- Double flange 85
- Optical ELIO® Contacts 91
- RJ45/USB Series 101

Range Extension

- 8D8 / 8D9 Series 110
- 8DB bulkhead feedthrough 110
- 8D hermetic ELIO® feedthrough 111
- 8D hermetic aluminum power & signal connector 111
- Coordinates for straight PC tail terminations 112



MIL-DTL-38999: A universal product platform



Series I: 8LT Series

- ▶ High density (#22D) MIL-spec circular (1980's)
- ▶ Scoop proof
- ▶ Coupling system: Bayonet
- ▶ Method of mounting: screws or jam nut
- ▶ Shell: Aluminum alloy
- ▶ Plating: olive green cadmium or nickel
- ▶ QPL approved
- ▶ Numerous layouts



Series I.5: 8ST Series

- ▶ High density - same layouts as 38999 Series I
- ▶ Lightweight version of Series I
- ▶ Scoop proof, bayonet coupling
- ▶ Method of mounting: screws or jam nut
- ▶ Shell: Aluminum alloy
- ▶ Plating: olive green cadmium or nickel
- ▶ VG 96912 German specification
- ▶ JN 1003 Typhoon specification



Series II: 8T Series

- ▶ Short version of MIL-DTL-38999 Series I
- ▶ Low profile = lightweight
- ▶ High density MIL-spec circular (1980's)
- ▶ Non-scoop proof, bayonet coupling
- ▶ Method of mounting: screws or jam nut
- ▶ Shell: Aluminum alloy
- ▶ Plating: olive green cadmium, nickel, hard anodized
- ▶ QPL approved
- ▶ Numerous layouts

8D Series - MIL-DTL-38999 Series III



8D Series - Presentation

38999 Series III: 8D Series

Since the early 80's, Souriau is a major supplier of 38999 Series III, the screw-coupled version of MIL-C-38999. Present on the main international programs, Souriau has developed a range of products that meet the performance required in extreme environments:

- Civil and military aeronautics
- Ground military
- Industrial
- Marine and offshore

This evolution of MIL-C-38999 allows:

- A high contact density up to 128 contacts #22D
- A quick screw coupling with self locking mechanism
- High resistance to harsh environments (vibration, 200°C)

Always at the cutting edge of innovation, Souriau's teams have continuously improved this range of connectors:

- Composite version in the 90's (Its choice is recommended wherever weight is critical)
- Titanium version for weight saving and very high and mechanical resistance
- Today Souriau remains innovative with cadmium free and RoHS solutions.
In 2009 Souriau was the first to be QPL qualified for Zinc Nickel plating.

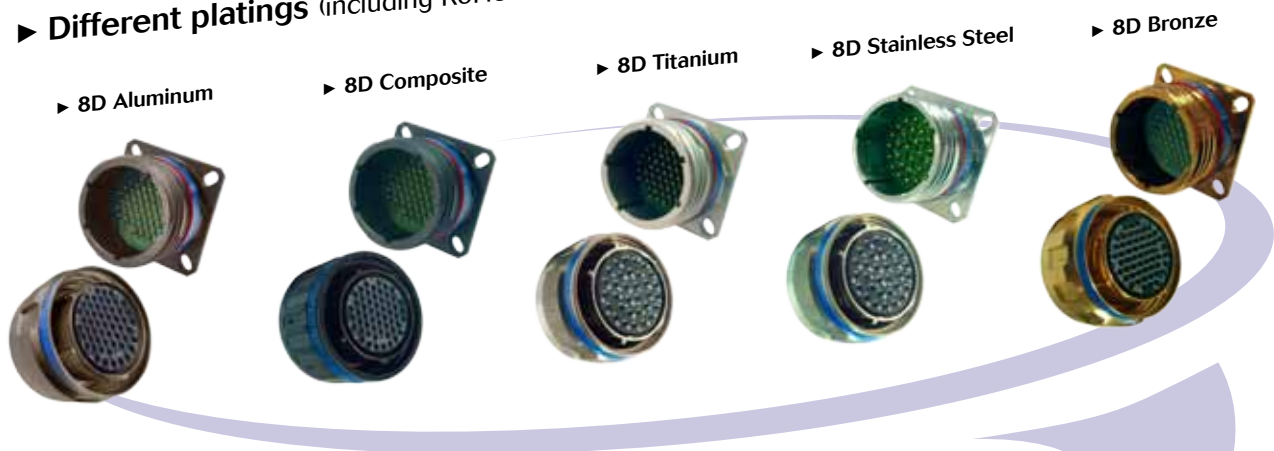
This product family is in accordance with MIL-DTL-38999 Series III, EN 3645, CECC (standard for bronze shell), ... and also meets many customers' standards (Rolls Royce, ABS, BACC, ...)



8D Series - Product overview

Standard Series

- ▶ 5 different materials
- ▶ A full platform that matches any environment
- ▶ Different platings (including RoHS & Cadmium free platings)



Derived Series

- ▶ Various possibilities of range extension & shell variant from Standard Series
- ▶ The only limit is your imagination: Consult us !



8D Series - MIL-DTL-38999 Series III



8D Series - A superior concept

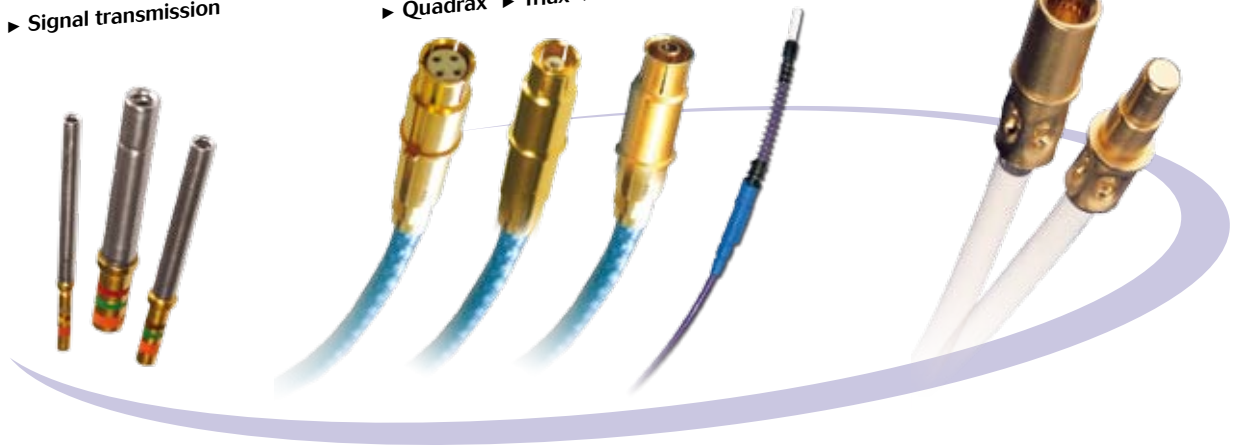
A full range of contact

► Multi-contact technology provides versatile connectors

► Signal transmission

► High speed data transmission
► Quadrax ► Triax ► Coax ► ELIO® fiber optic

► High power transmission



► Various contact styles

► Crimp ► Solder cup ► PC tails ► Wire wrap

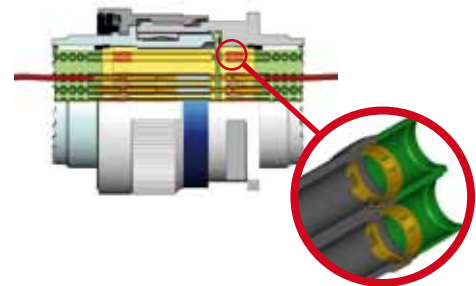
► Common cavity for all #8 contacts

Metal clips patented by Souriau

► Unique clip retention technology

► High performance contact retention system:

- Insure high temperature withstanding
- Provides superior strenght in vibrations
- Better retention characteristics than plastic clips



High performance sealing (IP67)

► Each contact cavity is individually sealed

Accessories available

► Protective caps, backshells, tools, ...



A performing MIL standard connector design

Scoop proof connector

- ▶ No risk of damaging the contact during the coupling operation

Unique self locking mechanism

- ▶ Connector will never unscrew even under high vibration (44g)

Visual mating indication

- ▶ Red band visible = not correctly mated



- ▶ Red band hidden = correctly mated



Quick screw coupling

- ▶ 1 1/4 turn to mate



Fully shielded connector

- ▶ 360° shielding

360° teeth for optimum shield continuity with accessories

EMI Ring



- ▶ Shell to shell bottoming = perfect shield continuity

8D Series - MIL-DTL-38999 Series III



Description

- High contact density
- Screw coupling
- Contact protection: 100% Scoop proof
- Shell size from 9 to 25
- Accessories available (protective caps, backshells, etc...)
- RFI - EMI shielding and shell to shell continuity
- Hermetic
- Protected by cadmium, nickel, green zinc cobalt or black zinc nickel plating

Applications

- Civil and Military Aerospace
- Marine and Offshore Equipment
- Defense and Ground Military
- Industrial

Standards

- MIL-DTL-38999 Series III
- EN3645
- BACC63CT/CU; BACC63DB/DC

Technical features

Mechanical

- **Shell:**
Aluminum, composite, stainless steel, bronze
- **Shells plating:**
 - . Aluminum shell:
 - Cadmium olive drab (W)
 - Nickel (F)
 - Black zinc nickel (Z)
 - Green zinc cobalt (ZO)
 - . Composite shell:
 - Cadmium olive drab (J)
 - Nickel (M)
 - Without plating (X)

- . Stainless steel shell:
 - Passivated (K)
 - Nickel (S)
 - . Titanium shell:
 - Without plating (TT)
 - Nickel (TF)
 - . Bronze shell:
 - Without plating
 - **Insulator:** Thermoplastic
 - **Grommet and interfacial seal:** Silicone elastomer
 - **Contacts:** Copper alloy
 - **Contacts plating:** Gold over nickel plated
 - **Endurance:**
 - . 500 mating/unmating operations whatever the material used
 - . 1500 mating/unmating operations with composite connectors + specifics contacts
 - **Shock:** 300g, 3 ms according EN 2591-D2 method A
 - **Vibration:**
 - . Sinus:
 - . 10 à 2000 Hz, 3x12 hrs (60g, 140 - 2000 Hz) with T° cycling
 - . Random:
 - . 50 to 2000 Hz, 2x8 Hrs (1g2/ Hz, 100 - 2000Hz) at T° max.
 - . 25 to 2000 Hz, 2x8 Hrs (5g2/ Hz, 100 - 300Hz) at ambient T°
- Test with accessories in acc with EN2591-D3

• Contact retention:

| Contacts size | 22 | 20 | 16 | 12 | 8 | 4 |
|----------------|----|----|-----|-----|-----|-----|
| Min force in N | 44 | 67 | 111 | 111 | 111 | 200 |

Weight comparison

Example for a plug shell size 15

| Materials | Weight | |
|-----------------|---------|-------------|
| Stainless steel | 58.80 g | 42% lighter |
| Titanium | 33.90 g | |
| Aluminum | 20.35 g | 40% lighter |
| Composite | 14.30 g | |
| | | 30% lighter |

8D Series - MIL-DTL-38999 Series III



Electrical

• Test voltage rating (Vrms)

| Service | sea level | at 21000 m |
|---------|-----------|------------|
| M | 1 300 | 800 |
| N | 1 000 | 600 |
| I | 1 800 | 1 000 |
| II | 2 300 | 1 000 |

• Contact resistance

| Contacts size | 22 | 20 | 16 | 12 | 8 | 4 |
|---------------|------|-----|-----|-----|---|---|
| Resistance mΩ | 14.6 | 7.3 | 3.8 | 3.5 | 3 | 2 |

• Insulation resistance:

≥ 5 000 MΩ (under 500 Vdc)

• Contact rating:

| Contacts size | 22 | 20 | 16 | 12 | 8 | 4 |
|---------------|----|-----|----|----|----|----|
| Rating (A) | 5 | 7.5 | 13 | 23 | 45 | 80 |

• Shell continuity

- . Aluminum shell:
 - Cadmium olive drab (W): 2.5 Ωh
 - Nickel (F): 1 Ωh
 - Black zinc nickel (Z): 2.5 Ωh
 - Green zinc cobalt (ZC): 2.5 Ωh
- . Composite shell:
 - Cadmium olive drab (J): 3 Ωh
 - Nickel (M): 3 Ωh
- . Stainless steel shell:
 - Passivated (K): 10 Ωh
 - Nickel (S): 1 Ωh
- . Titanium shell:
 - Without plating (TT): 10 Ωh
 - Nickel (TF): 1 Ωh
- . Bronze shell:
 - Without plating: 5 Ωh

• Shielding:

- . Aluminum shell:
 - F: 65 db at 10 GHz
 - F: 85 db at 1 GHz
 - W: 50 db at 10 GHz
 - Z & ZC: Consult us
- . Composite shell:
 - J: 90 db at 10 GHz
 - M: 85 db at 1 GHz
- . Stainless steel shell:
 - K: 45 db at 10 GHz
 - S: 65 db at 10 GHz
- . Titanium shell:
 - TT: 45 db at 10 GHz
 - TF: 65 db at 10 GHz
- . Bronze shell:
 - 85 db at 10 GHz

Climatics

• Temperature range:

- . Aluminum shell:
 - W: -65°C +175°C
 - F: -65°C +200°C
 - Z: -65°C +200°C
 - ZC: -65°C +200°C
- . Composite shell:
 - J: -65°C +175°C
 - M: -65°C +200°C
 - Without plating (X): -65°C +175°C
- . Stainless steel shell:
 - K: -65°C +200°C
 - S: -65°C +200°C
- . Titanium shell:
 - TT: -65°C +200°C
 - TF: -65°C +200°C
- . Bronze shell:
 - Without plating: -65°C +175°C

• Sealing:

Mated connectors meet altitude immersion requirements of MIL-DTL-38999.

• Salt spray:

- . Aluminum shell:
 - W: 500 Hrs
 - F: 48 Hrs
 - Z: 500 Hrs
 - ZC: 500 Hrs
- . Composite shell:
 - J: 2000 Hrs
 - M: 2000 Hrs
 - Without plating (X): 2000 Hrs
- . Stainless steel shell:
 - K: 500 Hrs
 - S: 48 Hrs
- . Titanium shell:
 - TT: 500 Hrs
 - TF: 48 Hrs
- . Bronze shell:
 - Without plating: 500 Hrs

Resistance to fluids

• According to MIL-DTL-38999 standard

- . Gasoline: JP5 (OTAN F44)
- . Mineral hydrolic fluid: MIL-H-5606 (OTAN H515)
- . Synthetic hydraulic fluid: Skydrol 500 B4

• LD4 (SAE AS 1241)

- . Mineral lubricating: MIL-L-7870A (OTAN 0142)
- . Synthetic lubricating: MIL-L-23699 (OTAN 0156), MIL-L-7808
- . Cleaning fluid: MIL-DTL-25769 diluted
- . De-icing fluid: MIL-A-8243
- . Extinguishing fluid: Chlorobrométhane
- . Cooling fluid: Coolanol

8D Series - MIL-DTL-38999 Series III



Contact layouts

09 / A

| | | | |
|---------------|---------------|---------------|---------------|
| 01 | 05 | 35 | 98 |
|---------------|---------------|---------------|---------------|

- Contact #22D
- Contact #20
- Contact #16
- Contact #12
- Contact #10
- Contact #8 Triax
- Contact #8 Power
- Contact #8 Quadrax
- Contact ELIO® (optical fiber)
- Contact #4 Power

11 / B

| | | | | | | | |
|---------------|---------------|---------------|---------------|---------------|---------------|---------------|---------------|
| 01 | 01 | 02 | 02 | 04 | 05 | 12 | 22 |
| 35 | 80 | 81 | 98 | 99 | | | |

13 / C

| | | | | | | |
|---------------|---------------|---------------|---------------|---------------|---------------|---------------|
| 03 | 04 | 04 | 08 | 26 | 35 | 98 |
|---------------|---------------|---------------|---------------|---------------|---------------|---------------|

ELIO® fiber optic Ethernet Quadrax

8D Series - MIL-DTL-38999 Series III



Contact layouts

15 / D

| | | | | | |
|-------------------------------------|---|-------------------------------------|-------------------------------------|--------------------------------------|--|
| 05 5#16 Service II | 15 1#16 14#20 Service I | 18 18#20 Service I | 19 19#20 Service I | 35 37#22D Service M | 97 4#16 8#20 Service I |
|-------------------------------------|---|-------------------------------------|-------------------------------------|--------------------------------------|--|

17 / E

| | | | | | | | | |
|---|--|-------------------------------------|--|---|-------------------------------------|--------------------------------------|---|--|
| 02 38#22D 1#8 Triax Service M | 06 6#12 Service I | 08 8#16 Service II | 20 4#12 16#22D Service M | 22 2#12 2#8 Triax Service M | 26 26#20 Service I | 35 55#22D Service M | 75 2#8 Triax Service M | |
| 80 2#12 2#8 Quadrax | 81 38#22D 1#8 Quadrax | 82 2#8 Quadrax | 99 2#16 21#20 Service I | | | | | |

19 / F

| | | | | | | | |
|---|--------------------------------------|---|---|-------------------------------------|--------------------------------------|--------------------------|--|
| 08 8 Optical positions | 11 11#16 Service II | 18 14#22D 4#8 Triax Service M | 28 26#20 2#16 Service I | 32 32#20 Service I | 35 66#22D Service M | 53* 53#22D | 84 14#22D 4#8 Quadrax |
|---|--------------------------------------|---|---|-------------------------------------|--------------------------------------|--------------------------|--|

ELIO® fiber optic Ethernet Quadrax * Pending layout

8D Series - MIL-DTL-38999 Series III



Contact layouts

21 / G

| | | | | | | | |
|--|---|---|--|---|-------------------------------------|---|---|
| 11 11#12 Service I | 16 16#16 Service II | 20* 18#20 2#8 Quadrax | 35 79#22D Service M | 39 2#16 37#20 Service I | 41 41#20 Service I | 42 2#4 Power Service I | 48 4#8 Power Service I |
| 59 55#22D 4#12 Service M | 72 2#4 Power 6#16 Service I | 75 4#8 Triax Service M | 77 17#22D 2#8 Coax Service M | 78 17#22D 2#8 Quadrax | 84 4#8 Quadrax | | |

23 / H

| | | | | | |
|--------------------------------------|-------------------------------------|---------------------------------------|-------------------------------------|--|-------------------------------------|
| 21 21#16 Service II | 32 32#20 Service I | 35 100#22D Service M | 53 53#20 Service I | 54 4#12, 9#16 40#22D Service M | 55 55#20 Service I |
|--------------------------------------|-------------------------------------|---------------------------------------|-------------------------------------|--|-------------------------------------|

8D Series - MIL-DTL-38999 Series III



Contact layouts

| 25 / J | | | | | | | |
|--|---|---|---|--|---|---|--|
| <p>04</p> <p>8#16 48#20 Service I</p> | <p>07</p> <p>2#8 Triax 97#22D Service M</p> | <p>08</p> <p>8#8 Triax Service M</p> | <p>11</p> <p>2#20 9#10 Service N</p> | <p>17</p> <p>36#22D 6#8 Triax</p> | <p>19</p> <p>19#12 Service I</p> | <p>20*</p> <p>10#20, 13#16 4#12 Coax 3#8 Triax Service N</p> | <p>24</p> <p>12#16 12#12 Service II</p> |
| <p>24</p> <p>24 Optical positions</p> | <p>29</p> <p>29#16 Service I</p> | <p>35</p> <p>128#22D Service M</p> | <p>37</p> <p>37#16 Service I</p> | <p>41</p> <p>22#22D, 3#20 11#16, 2#12 3#8 Triax Service M</p> | <p>43</p> <p>23#20 20#16 Service I</p> | <p>44</p> <p>4#4 Power 4#16 Service I</p> | <p>46</p> <p>40#20, 4#16 2#8 Coax Service I</p> |
| <p>61</p> <p>61#20 Service I</p> | <p>80</p> <p>10#20 13#16 4#12 Coax 3#8 Quadrax</p> | <p>81</p> <p>22#22D 3#20, 11#16 2#12 3#8 Quadrax</p> | <p>82</p> <p>97#22D 2#8 Quadrax</p> | <p>86</p> <p>40#20 4#16 2#8 Quadrax</p> | <p>87</p> <p>36#22D 6#8 Quadrax</p> | <p>88</p> <p>8#8 Quadrax</p> | <p>90</p> <p>40#20, 4#16 2#8 Twinax Service I</p> |

ELIO® fiber optic
 Ethernet Quadrax
 * For classes F, W, K, S only

8D Series - MIL-DTL-38999 Series III



Contact layouts

| Shell size | Layout | MIL-DTL-38999 (QPL) Aluminum, Stainless steel & Composite | 8D Titanium | JVS (CECC) Bronze connectors | Hermetics | EN3645 | BACC63 CT/CU DB/DC | Number of contacts | #22D | #20 | #16 | #12 | #10 | #8 | #4 Power | Optical posi- tions |
|------------|-----------|---|----------------|------------------------------------|-----------|--------|--------------------------|-----------------------|------|-----|-----|-----|-------|---------|-------------|---------------------------|
| 09 / A | 09-01 | | | | | | | 1 | | | | | | | | 1 |
| | 09-05 (1) | Consult us | Consult us | Consult us | | | | 1 | | | | | | 1 Qdx | | |
| | 09-35 | | | | | | | 6 | 6 | | | | | | | |
| | 09-98 | | | | | | | 3 | | 3 | | | | | | |
| 11 / B | 11-01 | | | | | | | 1 | | | | 1 | | | | |
| | 11-01 | | | | | | | 1 | | | | | | 1 Coax | | |
| | 11-02 | | | | | | | 2 | | | 2 | | | | | |
| | 11-02 | | | | | | | 2 | | | | | | | | 2 |
| | 11-04 | | | | | | | 4 | | 4 | | | | | | |
| | 11-05 | | | | | | | 5 | | 5 | | | | | | |
| | 11-12 | | | | | | | 1 | | | | 1 | | | | |
| | 11-22 | | | | | | | 4 | 4 | | | | | | | |
| | 11-35 | | | | | | | 13 | 13 | | | | | | | |
| | 11-80 | | | | | | | 1 | | | | | | 1 Triax | | |
| | 11-81 | | | | | | | 1 | | | | | | 1 Qdx | | |
| 11-98 | | | | | | | 6 | | 6 | | | | | | | |
| 11-99 | | | | | | | 7 | | 7 | | | | | | | |
| 13 / C | 13-03 | | | | | | | 3 | | | | | | | | |
| | 13-04 | | | | | | | 4 | | | 4 | | | | | |
| | 13-04 | | | | | | | 4 | | | | | | | | 4 |
| | 13-08 | | | | | | | 8 | | 8 | | | | | | |
| | 13-26 | | | | | | | 8 | 6 | | | 2 | | | | |
| | 13-35 | | | | | | | 22 | 22 | | | | | | | |
| 13-98 | | | | | | | 10 | | 10 | | | | | | | |
| 15 / D | 15-05 | | | | | | | 5 | | | 5 | | | | | |
| | 15-15 | | | | | | | 15 | | 14 | 1 | | | | | |
| | 15-18 | | | | | | | 18 | | 18 | | | | | | |
| | 15-19 | | | | | | | 19 | | 19 | | | | | | |
| | 15-35 | | | | | | | 37 | 37 | | | | | | | |
| | 15-97 | | | | | | | 12 | | 8 | 4 | | | | | |
| 17 / E | 17-02 | | | | | | | 39 | 38 | | | | | 1 Triax | | |
| | 17-06 | | | | | | | 6 | | | | 6 | | | | |
| | 17-08 | | | | | | | 8 | | | 8 | | | | | |
| | 17-20 | | | | | | | 20 | 16 | | | 4 | | | | |
| | 17-22 | | | | | | | 4 | | | | 2 | | 2 Triax | | |
| | 17-26 | | | | | | | 26 | | 26 | | | | | | |
| | 17-35 | | | | | | | 55 | 55 | | | | | | | |
| | 17-75 | | | | | | | 2 | | | | | | 2 Triax | | |
| | 17-80 | | | | | | | 4 | | | | 2 | | 2 Qdx | | |
| | 17-81 | | | | | | | 39 | 38 | | | | | 1 Qdx | | |
| | 17-82 | | | | | | | 2 | | | | | | 2 Qdx | | |
| 17-99 | | | | | | | 23 | | 21 | 2 | | | | | | |
| 19 / F | 19-08 | | | | | | | 8 | | | | | | | | 8 |
| | 19-11 | | | | | | | 11 | | | 11 | | | | | |
| | 19-18 | | | | | | | 18 | 14 | | | | | 4 Triax | | |
| | 19-28 | | | | | | | 28 | | 26 | 2 | | | | | |
| | 19-32 | | | | | | | 32 | | 32 | | | | | | |
| | 19-35 | | | | | | | 66 | 66 | | | | | | | |
| | 19-53 | | | | | | | 53 | 53 | | | | | | | |
| 19-84 | | | | | | | 18 | 14 | | | | | 4 Qdx | | | |

Souriau's layout
 Souriau's layout & Layout according to corresponding norm

(1) Grounded insert only

#8 Pow: Power; Qdx: Quadrax; Twx: Twinax

8D Series - MIL-DTL-38999 Series III



Contact layouts

| Shell size | Layout | MIL-DTL-38999 (QPL) Aluminum, Stainless steel & Composite | 8D Titanium | JVS (CECC) Bronze connectors | Hermetics | EN3645 | BACC63 CT/CU DB/DC | Number of contacts | #22D | #20 | #16 | #12 | #10 | #8 | #4 Power | Optical posi- tions | |
|------------|--------|---|----------------|------------------------------------|-----------|--------|--------------------------|-----------------------|------|-----|-----|-----|-------|---------|-------------|---------------------------|--|
| 21 / G | 21-11 | | | | | | | 11 | | | | 11 | | | | | |
| | 21-16 | | | | | | | 16 | | | 16 | | | | | | |
| | 21-20 | | | | | | | 20 | | 18 | | | | 2 Qdx | | | |
| | 21-35 | | | | | | | 79 | 79 | | | | | | | | |
| | 21-39 | | | | | | | 39 | | 37 | 2 | | | | | | |
| | 21-41 | | | | | | | 41 | | 41 | | | | | | | |
| | 21-42 | | | | | | | 2 | | | | | | | 2 | | |
| | 21-48 | | | | | | | 4 | | | | | | | 4 Pow | | |
| | 21-59 | | | | | | | 59 | 55 | | | | 4 | | | | |
| | 21-72 | | | | | | | 8 | | | | | | | | 2 | |
| | 21-75 | | | | | | | 4 | | | | | | | 4 Triax | | |
| | 21-77 | | | | | | | 19 | 17 | | | | | | 2 Coax | | |
| | 21-78 | | | | | | | 19 | 17 | | | | | | 2 Qdx | | |
| 21-84 | | | | | | | 4 | | | | | | | 4 Qdx | | | |
| 23 / H | 23-21 | | | | | | | 21 | | | 21 | | | | | | |
| | 23-32 | | | | | | | 32 | | 32 | | | | | | | |
| | 23-35 | | | | | | | 100 | 100 | | | | | | | | |
| | 23-53 | | | | | | | 53 | | 53 | | | | | | | |
| | 23-54 | | | | | | | 53 | 40 | | 9 | 4 | | | | | |
| | 23-55 | | | | | | | 55 | | 55 | | | | | | | |
| 25 / J | 25-04 | | | | | | | 56 | | 48 | 8 | | | | | | |
| | 25-07 | | | | | | | 99 | 97 | | | | | 2 Triax | | | |
| | 25-08 | | | (2) | | | | 8 | | | | | | 8 Triax | | | |
| | 25-11 | | | | | | | 11 | | 2 | | | 9 | | | | |
| | 25-17 | | | | | | | 42 | 36 | | | | | 6 Triax | | | |
| | 25-19 | | | | | | | 19 | | | | 19 | | | | | |
| | 25-20 | (3) | | (4) | | (5) | (6) | 30 | | 10 | 13 | 4 | | 3 Triax | | | |
| | 25-24 | | | | | | | 24 | | | 12 | 12 | | | | | |
| | 25-24 | | | | | | | 24 | | | | | | | | 24 | |
| | 25-29 | | | | | | | 29 | | | 29 | | | | | | |
| | 25-35 | | | | | | | 128 | 128 | | | | | | | | |
| | 25-37 | | | | | | | 37 | | | 37 | | | | | | |
| | 25-41 | | | | | | | 41 | 22 | 3 | 11 | 2 | | 3 Triax | | | |
| | 25-43 | | | | | | | 43 | | 23 | 20 | | | | | | |
| | 25-44 | | | | | | | 8 | | | 4 | | | | 4 | | |
| | 25-46 | | | | | | | 46 | | 40 | 4 | | | 2 Coax | | | |
| | 25-61 | | | | | | | 61 | | 61 | | | | | | | |
| | 25-80 | | | | | | | 30 | | 10 | 13 | 4 | | 3 Qdx | | | |
| | 25-81 | | | | | | | 41 | 22 | 3 | 11 | 2 | | 3 Qdx | | | |
| | 25-82 | | | | | | | 99 | 97 | | | | | 2 Qdx | | | |
| 25-86 | | | | | | | 46 | | 40 | 4 | | | 2 Qdx | | | | |
| 25-87 | | | | | | | 42 | 36 | | | | | 6 Qdx | | | | |
| 25-88 | | | | | | | 8 | | | | | | 8 Qdx | | | | |
| 25-90 | | | | | | | 46 | | 40 | 4 | | | 2 Twx | | | | |

- Souriau's layout
- Souriau's layout & Layout according to corresponding norm
- (2) For CECC, layout 25-08 only delivered without contact
- (3) For Aluminum & Stainless steel only
- (4) For classes F, W, S, K only
- (5) For classes F, W, K only
- (6) Qualified BACC63DB/DC only
- #8 Pow: Power; Qdx: Quadrax; Twx: Twinax



Aluminum Series

MIL-DTL-38999 Series III

8D - D38999 Aluminum Series



Connector part numbers

| | | | | | | | | | | | |
|---|-----------|----------|----------|-----------|----------|-----------|----------|----------|----------|----------|----------|
| Basic Series | 8D | 0 | - | 11 | W | 35 | P | N | - | - | L |
| Shell style: | | | | | | | | | | | |
| <ul style="list-style-type: none"> 0: Square flange receptacle 1: In line receptacle 7: Jam nut receptacle 5: Plug with RFI shielding | | | | | | | | | | | |
| <i>Also available:</i> | | | | | | | | | | | |
| . Square flange receptacle with clinch nuts (see page 81) | | | | | | | | | | | |
| . Jam nut receptacle with double flange (see page 85) | | | | | | | | | | | |
| Type: | | | | | | | | | | | |
| None: Connectors with standard crimp contacts. | | | | | | | | | | | |
| L: Receptacle with long PC tail (male and female size #22D, #20). | | | | | | | | | | | |
| C: Receptacle with short PC tail (male and female #22D, #20, #16). | | | | | | | | | | | |
| S: Receptacle with specific PC tail (male et female #22D) | | | | | | | | | | | |
| W: Receptacle with male contacts #22D for wire wrap (3 wraps) | | | | | | | | | | | |
| T: Receptacle with male contacts #20 for wire wrap (2 wraps) | | | | | | | | | | | |
| P: Receptacle with solder cup - only available for Reinforced sealing Series (see page 75) - male and female size #22D; male #16 & #12; female #16 & #12 and male female #20 please consult us | | | | | | | | | | | |
| Shell size: 09, 11, 13, 15, 17, 19, 21, 23, 25 | | | | | | | | | | | |
| Plating: | | | | | | | | | | | |
| W: Olive drab cadmium | | | | | | | | | | | |
| F: Nickel | | | | | | | | | | | |
| ZC: Green zinc cobalt | | | | | | | | | | | |
| Z: Black zinc nickel | | | | | | | | | | | |
| Contact layout: See pages 11 to 14 | | | | | | | | | | | |
| Contact type: | | | | | | | | | | | |
| P: Pin | | | | | | | | | | | |
| A: Connector supplied less pin contact or with specific contacts (connector marking: A + orientation) | | | | | | | | | | | |
| S: Socket | | | | | | | | | | | |
| B: Connector supplied less socket contact or with specific contacts (connector marking: B + orientation) | | | | | | | | | | | |
| Orientation: N, A, B, C, D, E (see page 65) | | | | | | | | | | | |
| Specification: | | | | | | | | | | | |
| 046: Tinned straight PC tail | | | | | | | | | | | |
| 251: Connector provided with power contacts (layouts with contact #8) | | | | | | | | | | | |
| 022: Fuel tank | | | | | | | | | | | |
| Special custom: | | | | | | | | | | | |
| None: Standard plastic cap | | | | | | | | | | | |
| M: Antistatic plastic cap | | | | | | | | | | | |
| L: For P or S contact type only, connectors delivered without contacts, connectors marking P or S plus orientation | | | | | | | | | | | |

8D - D38999 Aluminum Series



MIL-DTL-38999 part numbers*

| | | | | | | | | |
|---|---------------|-----------|----------|----------|-----------|----------|----------|----------|
| Basic Series | D38999 | 20 | W | B | 35 | P | N | L |
| Shell style: | | | | | | | | |
| 20: Square flange receptacle | | | | | | | | |
| 24: Jam nut receptacle | | | | | | | | |
| 26: Plug with RFI shielding. | | | | | | | | |
| Plating: | | | | | | | | |
| W: Olive drab cadmium | | | | | | | | |
| F: Nickel | | | | | | | | |
| Shell size: A, B, C, D, E, F, G, H, J | | | | | | | | |
| Contact layout: See page 15 for layout according to MIL-DTL-38999 | | | | | | | | |
| Contact type: | | | | | | | | |
| P: Pin | | | | | | | | |
| A: Connector supplied less pin contact or with specific contacts (connector marking: A + orientation) | | | | | | | | |
| S: Socket | | | | | | | | |
| B: Connector supplied less socket contact or with specific contacts (connector marking: B + orientation) | | | | | | | | |
| Orientation: N, A, B, C, D, E (see page 65) | | | | | | | | |
| L: For P or S contact type only, connector delivered without contacts, connector marking P or S (without L) | | | | | | | | |

* Note: To place an order of MIL connectors delivered without MIL removable crimp contacts and keep P or S plus orientation marking, it must be specify clearly on the order (by adding a suffix L at the end of the P/N or specified in comment).

EN3645 part numbers

| | | | | | | | | |
|--|---------------|----------|----------|----------|----------|-----------|----------|----------|
| Basic Series | EN3645 | W | 6 | G | N | 35 | B | N |
| Plating: | | | | | | | | |
| W: Olive drab cadmium | | | | | | | | |
| F: Nickel | | | | | | | | |
| Shell style: | | | | | | | | |
| 0: Square flange receptacle | | | | | | | | |
| 6: Plug | | | | | | | | |
| 7: Jam nut receptacle | | | | | | | | |
| Shell size: | | | | | | | | |
| 09=A, 11=B, 13=C, 15=D, 17=E, 19=F, 21=G, 23=H, 25=J | | | | | | | | |
| Grounding: | | | | | | | | |
| N: Standard insert not grounded | | | | | | | | |
| Contact layout: | | | | | | | | |
| See page 15 for layout according to EN3645 | | | | | | | | |
| Contact type: | | | | | | | | |
| A: Connector supplied less pin contact | | | | | | | | |
| B: Connector supplied less socket contact | | | | | | | | |
| F: Socket | | | | | | | | |
| M: Pin | | | | | | | | |
| Orientation: | | | | | | | | |
| N, A, B, C, D, E (see page 65) | | | | | | | | |

8D - D38999 Aluminum Series



Dimensions

| Receptacle type 0 | | | | | | | | | | |
|-------------------|------------|-------|-------|------------|------------|-------------|-------|-------|-------------|-------------|
| | Shell size | A Max | B Max | C Max | D Thread | E ± 0.3 | F | G | H ± 0.2 | J ± 0.2 |
| | 09 (A) | 20.9 | 10.72 | 2.5 | M12 x 1-6g | 23.8 | 18.26 | 15.09 | 3.25 | 5.49 |
| 11 (B) | M15 x 1-6g | | | | 26.2 | 20.62 | 18.26 | 4.93 | | |
| 13 (C) | M18 x 1-6g | | | | 28.6 | 23.01 | 20.62 | 4.4 | | |
| 15 (D) | M22 x 1-6g | | | | 31 | 24.61 | 23.01 | 4.93 | | |
| 17 (E) | M25 x 1-6g | | | | 33.3 | 26.97 | 24.61 | | | |
| 19 (F) | M28 x 1-6g | | | | 36.5 | 29.36 | 26.97 | | | |
| 21 (G) | 20.1 | 11.54 | 3.2 | M31 x 1-6g | 39.7 | 31.75 | 29.36 | 3.91 | 6.15 | |
| 23 (H) | | | | M34 x 1-6g | 42.9 | 34.93 | 31.75 | | | |
| 25 (J) | | | | M37 x 1-6g | 46 | 38.1 | 34.93 | | | |

| Receptacle type 7 | | | | | | | | |
|-------------------|------------|--------------|-------|-------|-------|-------|-------------|------------|
| | Shell size | A ± 0.15 | B Max | C Max | D Max | E Max | F ± 0.4 | G Thread |
| | 09 (A) | 16.53 | 9.9 | 3.2 | 30.5 | 23 | 27 | M12 x 1-6g |
| 11 (B) | 19.07 | 35.2 | | | 26 | 31.8 | M15 x 1-6g | |
| 13 (C) | 23.82 | 38.4 | | | 31 | 34.9 | M18 x 1-6g | |
| 15 (D) | 26.97 | 41.6 | | | 34 | 38.1 | M22 x 1-6g | |
| 17 (E) | 30.15 | 44.8 | | | 37 | 41.3 | M25 x 1-6g | |
| 19 (F) | 33.32 | 49.5 | | | 41 | 46 | M28 x 1-6g | |
| 21 (G) | 36.50 | 52.7 | | | 46 | 49.2 | M31 x 1-6g | |
| 23 (H) | 39.67 | 55.9 | | | 47 | 52.4 | M34 x 1-6g | |
| 25 (J) | 42.85 | 59 | | | 51.23 | 55.6 | M37 x 1-6g | |

Recommended coupling torque on panel for jam nut receptacle (type 7)

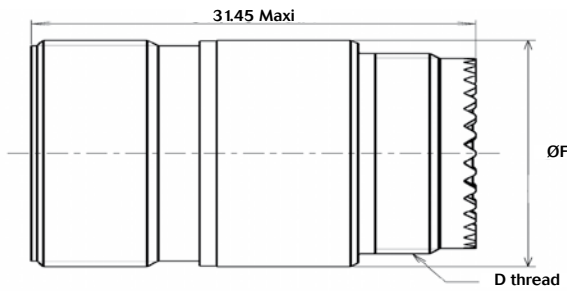
| Shell | 09 (A) | 11 (B) | 13 (C) | 15 (D) | 17 (E) | 19 (F) | 21 (G) | 23 (H) | 25 (J) |
|----------------------------------|--------|--------|--------|--------|--------|--------|--------|--------|--------|
| Coupling torque (± 0.5 N.m) | 4 | 5 | 7 | 8 | 9 | 10 | 12 | 13 | 14 |

Note: All dimensions are in millimeters (mm)

8D - D38999 Aluminum Series

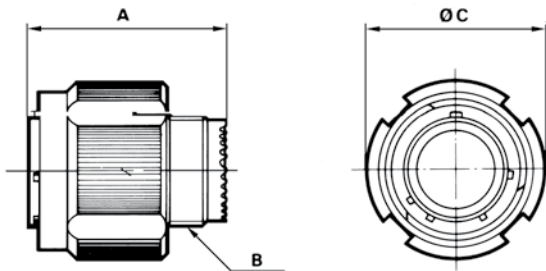


In line receptacle type 1



| Shell size | D thread | Ø F |
|------------|------------|-------|
| 09 (A) | M12 x 1-6g | 15.90 |
| 11 (B) | M15 x 1-6g | 19.05 |
| 13 (C) | M18 x 1-6g | 22.25 |
| 15 (D) | M22 x 1-6g | 25.40 |
| 17 (E) | M25 x 1-6g | 30.15 |
| 19 (F) | M28 x 1-6g | 31.75 |
| 21 (G) | M31 x 1-6g | 34.75 |
| 23 (H) | M34 x 1-6g | 37.10 |
| 25 (J) | M37 x 1-6g | 41.30 |

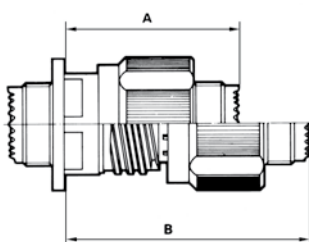
Plug type 5



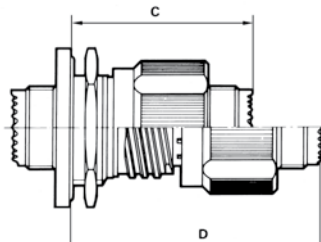
| Shell size | A Max. | B thread | C Max. |
|------------|--------|------------|--------|
| 09 (A) | 31.00 | M12 x 1-6g | 21.80 |
| 11 (B) | 31.00 | M15 x 1-6g | 25.00 |
| 13 (C) | 31.00 | M18 x 1-6g | 29.40 |
| 15 (D) | 31.00 | M22 x 1-6g | 32.50 |
| 17 (E) | 31.00 | M25 x 1-6g | 35.70 |
| 19 (F) | 31.00 | M28 x 1-6g | 38.50 |
| 21 (G) | 31.00 | M31 x 1-6g | 41.70 |
| 23 (H) | 31.00 | M34 x 1-6g | 44.90 |
| 25 (J) | 31.00 | M37 x 1-6g | 48.00 |

Mated connectors dimensions

Type 0 with plug



Type 7 with plug



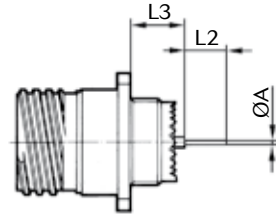
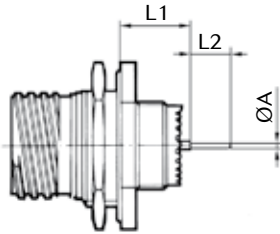
| Shell size | A Max. | B Max. | C Max. | D Max. |
|------------|--------|--------|--------|--------|
| 09 (A) | 37.00 | 52.30 | 38.30 | 53.60 |
| 11 (B) | 37.00 | 52.30 | 38.30 | 53.60 |
| 13 (C) | 37.00 | 52.30 | 38.50 | 53.80 |
| 15 (D) | 37.00 | 52.30 | 38.50 | 53.80 |
| 17 (E) | 37.00 | 52.30 | 38.50 | 53.80 |
| 19 (F) | 37.00 | 52.30 | 38.50 | 53.80 |
| 21 (G) | 36.00 | 51.30 | 38.50 | 53.80 |
| 23 (H) | 36.00 | 51.30 | 38.50 | 53.80 |
| 25 (J) | 36.00 | 51.30 | 38.50 | 53.80 |

Note: All dimensions are in millimeters (mm)

8D - D38999 Aluminum Series



Receptacle with straight PC tail contacts



| | | Shell size | | | 09 (A) | 11 (B) | 13 (C) | 15 (C) | 17 (E) | 19 (F) | 21 (G) | 23 (H) | 25 (J) |
|----|-----|--------------|--------------|--------------|--------|--------|--------|--------|--------|--------|--------|--------|--------|
| | | Contact size | Contact type | PC tail type | | | | | | | | | |
| A | | #22D | M & F | L & C | | | | | 0.70 | | | | |
| | | #22D | M & F | S | | | | | 0.50 | | | | |
| | | #20 | M & F | C | | | | | 0.70 | | | | |
| | | #16 | M & F | C | | | | | 1.15 | | | | |
| L1 | Min | #22D | M | L & C | 10.52 | | | | | 10.34 | | | |
| | Max | #22D | M | L & C | 11.46 | | | | | 11.28 | | | |
| | Min | #22D | F | L & C | 10.19 | | | | | 10.01 | | | |
| | Max | #22D | F | L & C | 11.46 | | | | | 11.28 | | | |
| | Min | #22D | M | S | 10.19 | | | | | 10.01 | | | |
| | Max | #22D | M | S | 11.46 | | | | | 11.28 | | | |
| | Min | #22D | F | S | 10.69 | | | | | 10.51 | | | |
| | Max | #22D | F | S | 11.63 | | | | | 11.45 | | | |
| | Min | #20 | M | C | 10.36 | | | | | 10.18 | | | |
| | Max | #20 | M | C | 11.63 | | | | | 11.45 | | | |
| | Min | #20 | F | C | 10.69 | | | | | 10.51 | | | |
| | Max | #20 | F | C | 11.63 | | | | | 11.45 | | | |
| | Min | #16 | M | C | 10.69 | | | | | 10.51 | | | |
| | Max | #16 | M | C | 11.63 | | | | | 11.45 | | | |
| | Min | #16 | F | C | 10.69 | | | | | 10.51 | | | |
| | Max | #16 | F | C | 11.63 | | | | | 11.45 | | | |
| L2 | | #22D | M & F | L | | | | | 8.50 | | | | |
| | | #22D | M & F | C | | | | | 4.00 | | | | |
| | | #22D | M & F | S | | | | | 5.10 | | | | |
| | | #20 | M & F | C | | | | | 5.10 | | | | |
| | | #16 | M & F | C | | | | | 5.10 | | | | |
| L3 | Min | #22D | M | L & C | | | 9.48 | | | | | 9.59 | |
| | Max | #22D | M | L & C | | | 10.58 | | | | | 10.69 | |
| | Min | #22D | F | L & C | | | 9.15 | | | | | 9.26 | |
| | Max | #22D | F | L & C | | | 10.58 | | | | | 10.69 | |
| | Min | #22D | M | S | | | 9.65 | | | | | 9.76 | |
| | Max | #22D | M | S | | | 10.75 | | | | | 10.86 | |
| | Min | #22D | F | S | | | 9.15 | | | | | 9.26 | |
| | Max | #22D | F | S | | | 10.75 | | | | | 10.86 | |
| | Min | #20 | M | C | | | 9.65 | | | | | 9.76 | |
| | Max | #20 | M | C | | | 10.75 | | | | | 10.86 | |
| | Min | #20 | F | C | | | 9.65 | | | | | 9.76 | |
| | Max | #20 | F | C | | | 10.75 | | | | | 10.86 | |
| | Min | #16 | M | C | | | 9.65 | | | | | 9.76 | |
| | Max | #16 | M | C | | | 10.75 | | | | | 10.86 | |
| | Min | #16 | F | C | | | 9.65 | | | | | 9.76 | |
| | Max | #16 | F | C | | | 10.75 | | | | | 10.86 | |

M: Male contact

F: Female contact

L: Long PC tail

C: Short PC tail

S: Specific PC tail

Dimensions in millimeters

8D - D38999 Aluminum Series



Souriau backshells part numbers

| | | | | | | | | | | | | |
|-------------------------------------|-----|-----|-----|-----|-----|-----|-----|-----|----|-----|---|----|
| Basic Series | | | | | | | | | 8D | 102 | B | 02 |
| Shell style: | | | | | | | | | | | | |
| 09 | 11 | 13 | 15 | 17 | 19 | 21 | 23 | 25 | | | | |
| 101 | 102 | 103 | 104 | 105 | 106 | 107 | 108 | 109 | | | | |
| Plating: | | | | | | | | | | | | |
| B: Olive drab cadmium | | | | | | | | | | | | |
| F: Nickel | | | | | | | | | | | | |
| Backshell type: | | | | | | | | | | | | |
| 01: Back nut (please consult us) | | | | | | | | | | | | |
| 02: Straight cable clamp | | | | | | | | | | | | |
| 03: 90° cable clamp | | | | | | | | | | | | |
| 13: Backshell for heat shrink boots | | | | | | | | | | | | |

Cross reference table

| Backshell type | AS85049 Standard | Souriau Part Numbers |
|--|------------------|----------------------|
| Back nut | M85049/14-**-x | 8D101x01 |
| Straight cable clamp | M85049/38-**-x | 8D101x02 |
| 90° cable clamp | M85049/39-**-x | 8D101x03 |
| Backshell for heat shrink boots | M85049/69-**-x | 8D101x13 |
| Backshell for screen termination and cable clamp | M85049/19-**-x | N/A |

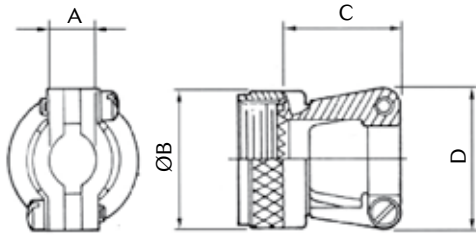
x: Plating **: Shell size: see pages 11 to 14

8D - D38999 Aluminum Series

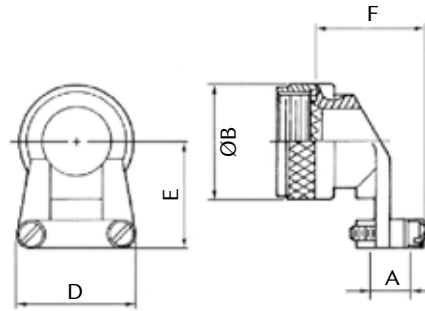


Backshells - Cable clamp

Straight cable clamp (Type 38)



90° cable clamp (Type 39)



| Shell size | A | | ØB Max | C Max | D Max | E | F |
|------------|-------|-------|--------|-------|-------|-------|-------|
| | Min | Max | | | | | |
| 09 | 2.50 | 5.90 | 21.80 | 23.10 | 21.60 | 25.40 | 25.70 |
| 11 | 3.90 | 5.90 | 25.00 | 23.10 | 22.90 | 27.90 | 25.70 |
| 13 | 4.80 | 8.30 | 29.40 | 25.70 | 27.90 | 27.90 | 30.70 |
| 15 | 6.60 | 11.60 | 32.50 | 26.90 | 29.20 | 31.80 | 32.00 |
| 17 | 7.20 | 15.60 | 35.70 | 29.50 | 33.00 | 33.00 | 35.80 |
| 19 | 8.30 | 16.10 | 38.50 | 35.80 | 38.10 | 34.30 | 38.40 |
| 21 | 8.70 | 17.70 | 41.70 | 38.40 | 40.60 | 40.60 | 42.20 |
| 23 | 9.70 | 20.90 | 44.90 | 42.20 | 43.20 | 44.50 | 44.70 |
| 25 | 10.60 | 21.70 | 48.00 | 44.70 | 45.70 | 47.00 | 48.50 |

Basic Series M85049 38 - 11 W

Backshell type:

- 38: Straight cable clamp
- 39: 90° cable clamp

Nut type:

- : Without self-locking
- S: With self-locking

Shell size:

09, 11, 13, 15, 17, 19, 21, 23, 25

Plating:

Type 38 & 39:

- A: Black anodized (500 hours salt spray)
- W: Olive drab cadmium over nickel (500 hours salt spray)

Type 38S & 39S:

- W: Olive drab cadmium over nickel (500 hours salt spray)
- N: Nickel (48 hours salt spray)

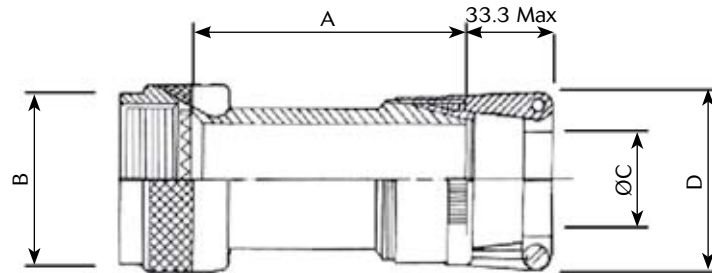
Note: All dimensions are in millimeters (mm)

8D - D38999 Aluminum Series



Backshell for screen termination and cable clamp

Backshell for screen termination and cable clamp (Type 19)



| Shell size | A Max | B Max | Clamp indicator base on shell size |
|------------|-------|-------|------------------------------------|
| 09 | 38.10 | 19.10 | 01 - 02 |
| 11 | | 21.60 | 01 - 02 - 03 |
| 13 | | 25.40 | 02 - 03 - 04 |
| 15 | | 27.90 | 02 - 03 - 04 - 05 |
| 17 | | 31.80 | 02 - 03 - 04 - 05 - 06 |
| 19 | | 35.60 | 03 - 04 - 05 - 06 - 07 |
| 21 | | 38.10 | 03 - 04 - 05 - 06 - 07 - 08 |
| 23 | | 41.90 | 03 - 04 - 05 - 06 - 07 - 08 |
| 25 | | 44.50 | 04 - 05 - 06 - 07 - 08 - 10 |

| Clamp size indicator | C | | D |
|----------------------|-------|-------|-------|
| | Min | Max | |
| 01 | 1.60 | 3.20 | 20.30 |
| 02 | 3.20 | 6.35 | 25.40 |
| 03 | 6.35 | 9.50 | 27.90 |
| 04 | 7.90 | 12.70 | 30.50 |
| 05 | 11.10 | 15.90 | 31.80 |
| 06 | 14.30 | 19.00 | 35.60 |
| 07 | 17.45 | 22.20 | 38.10 |
| 08 | 20.60 | 24.40 | 41.90 |
| 09 | 23.80 | 28.60 | 44.50 |
| 10 | 27.00 | 31.75 | 48.30 |

Basic Series M85049 19 11 W 03

Shell style:
19: Backshell for screen termination and cable clamp

Shell size:
09, 11, 13, 15, 17, 19, 21, 23, 25

Plating:
W: Olive drab cadmium
N: Nickel

Clamp size indicator:
See tables above

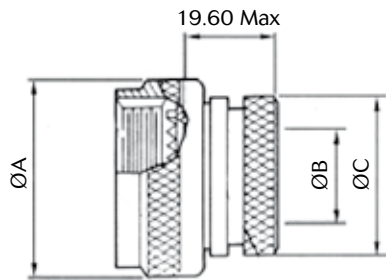
Note: All dimensions are in millimeters (mm)

8D - D38999 Aluminum Series



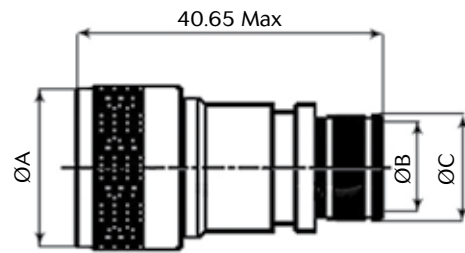
Backshells for heat shrink boots

Backshell for heat shrink boots (Type 69)



| Shell size | ØA Max | ØB Max | ØC Max |
|------------|--------|--------|--------|
| 09 | 19.10 | 6.35 | 13.55 |
| 11 | 21.60 | 9.50 | 15.40 |
| 13 | 25.40 | 12.70 | 19.70 |
| 15 | 29.20 | 15.90 | 21.30 |
| 17 | 31.80 | 19.00 | 24.50 |
| 19 | 35.60 | 20.60 | 26.50 |
| 21 | 39.40 | 23.80 | 30.90 |
| 23 | 41.90 | 27.00 | 34.40 |
| 25 | 47.00 | 30.20 | 36.65 |

Straight backshell for heat shrink boots (Type 88)



| Shell size | ØA Max | ØB ^{±0.10} Entry size | | ØC | |
|------------|--------|--------------------------------|-------|-------|-------|
| | | 02 | 03 | 02 | 03 |
| 09 | 21.79 | N/A | 6.35 | N/A | 10.03 |
| 11 | 24.99 | N/A | 7.92 | N/A | 11.61 |
| 13 | 29.39 | 7.92 | 11.13 | 11.61 | 14.81 |
| 15 | 32.49 | 11.13 | 14.27 | 14.81 | 17.96 |
| 17 | 35.71 | 12.70 | 15.88 | 16.38 | 19.56 |
| 19 | 38.51 | 15.88 | 19.05 | 19.56 | 22.73 |
| 21 | 41.71 | 15.88 | 20.62 | 19.56 | 24.30 |
| 23 | 44.91 | 17.47 | 23.83 | 21.06 | 27.51 |
| 25 | 47.98 | 19.05 | 25.40 | 22.73 | 29.08 |

Basic Series

M85049

69

11

A

D

Backshell type:

69: Backshell for heat shrink boots

88: Straight backshell for heat shrink boots

Shell size:

09, 11, 13, 15, 17, 19, 21, 23, 25

Plating:

Type 69:

A: Black anodised (500 hours salt spray)

Type 88:

J: Olive drab cadmium over electroless nickel

M: Electroless nickel

Option (Type 69 only):

Empty: Without drain hole

D: With drain hole

Entry size (Type 88 only):

02: See table above

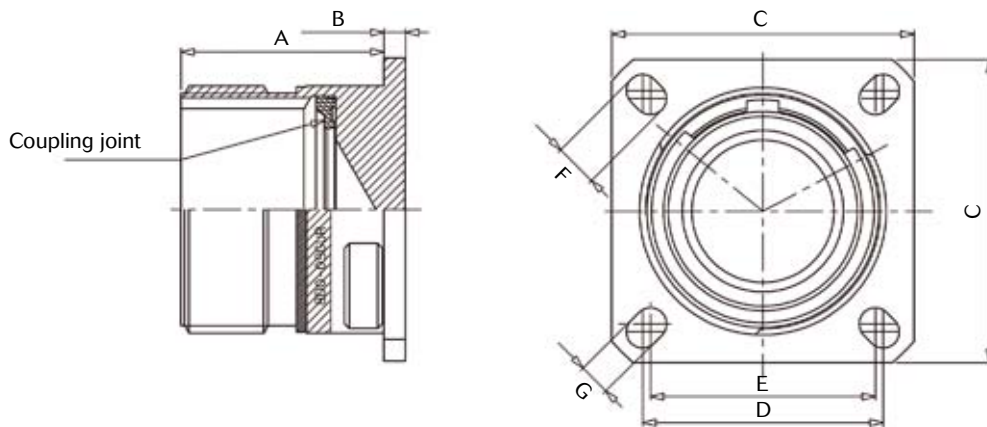
03: See table above

8D - D38999 Aluminum Series



Dummy receptacle

Dimensions



| Shell size | Souriau Part number * | A Max | B Max | C ± 0.30 | D | E | F ± 0.20 | G ± 0.20 |
|------------|------------------------|-------|-------|--------------|-------|-------|--------------|--------------|
| 09 | 8D0-09GUR 8D0-09FUR | 20.90 | 2.50 | 23.80 | 18.26 | 15.09 | 4.49 | 3.25 |
| 11 | 8D0-11GUR 8D0-11FUR | 20.90 | 2.50 | 26.20 | 20.62 | 18.26 | 4.93 | 3.25 |
| 13 | 8D0-13GUR 8D0-13FUR | 20.90 | 2.50 | 28.60 | 23.01 | 20.62 | 4.93 | 3.25 |
| 15 | 8D0-15GUR 8D0-15FUR | 20.90 | 2.50 | 31.00 | 24.61 | 23.01 | 4.93 | 3.25 |
| 17 | 8D0-17GUR 8D0-17FUR | 20.90 | 2.50 | 33.30 | 26.97 | 24.61 | 4.93 | 3.25 |
| 19 | 8D0-19GUR 8D0-19FUR | 20.90 | 2.50 | 36.50 | 26.97 | 24.61 | 4.93 | 3.25 |
| 21 | 8D0-21GUR 8D0-21FUR | 20.10 | 3.20 | 39.70 | 31.75 | 29.36 | 4.93 | 3.25 |
| 23 | 8D0-23GUR 8D0-23FUR | 20.10 | 3.20 | 42.90 | 34.93 | 31.75 | 6.15 | 3.91 |
| 25 | 8D0-25GUR 8D0-25FUR | 20.10 | 3.20 | 46.00 | 38.10 | 34.93 | 6.15 | 3.91 |

* G: Olive green cadmium
F: Nickel

Note: All dimensions are in millimeters (mm)

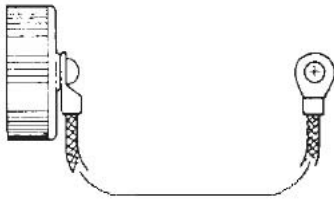
8D - D38999 Aluminum Series



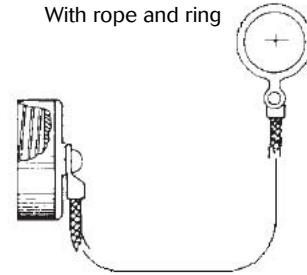
Caps

Caps for receptacle (D38999/33 - S2453)

With rope and eyelet



With rope and ring

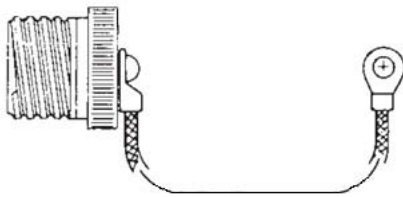


| Shell size | Part numbers | |
|------------|--------------|---------------------|
| | Plating ** | Olive green plating |
| 9 | S2453-09W-** | D38999/33 W 09 R |
| 11 | S2453-11W-** | D38999/33 W 11 R |
| 13 | S2453-13W-** | D38999/33 W 13 R |
| 15 | S2453-15W-** | D38999/33 W 15 R |
| 17 | S2453-17W-** | D38999/33 W 17 R |
| 19 | S2453-19W-** | D38999/33 W 19 R |
| 21 | S2453-21W-** | D38999/33 W 21 R |
| 23 | S2453-23W-** | D38999/33 W 23 R |
| 25 | S2453-25W-** | D38999/33 W 25 R |

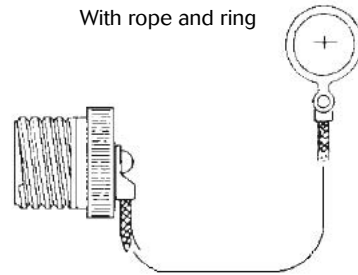
| Shell size | Part numbers | |
|------------|---------------|---------------------|
| | Plating ** | Olive green plating |
| 9 | S2453-09W**-1 | D38999/33 W 09 N |
| 11 | S2453-11W**-1 | D38999/33 W 11 N |
| 13 | S2453-13W**-1 | D38999/33 W 13 N |
| 15 | S2453-15W**-1 | D38999/33 W 15 N |
| 17 | S2453-17W**-1 | D38999/33 W 17 N |
| 19 | S2453-19W**-1 | D38999/33 W 19 N |
| 21 | S2453-21W**-1 | D38999/33 W 21 N |
| 23 | S2453-23W**-1 | D38999/33 W 23 N |
| 25 | S2453-25W**-1 | D38999/33 W 25 N |

Caps for plug (D38999/32 - S2454)

With rope and eyelet



With rope and ring



| Shell size | Part numbers | |
|------------|----------------|---------------------|
| | Plating ** | Olive green plating |
| 9 | S2454-09F-** S | D38999/32 W 09 R |
| 11 | S2454-11F-** S | D38999/32 W 11 R |
| 13 | S2454-13F-** S | D38999/32 W 13 R |
| 15 | S2454-15F-** S | D38999/32 W 15 R |
| 17 | S2454-17F-** S | D38999/32 W 17 R |
| 19 | S2454-19F-** S | D38999/32 W 19 R |
| 21 | S2454-21F-** S | D38999/32 W 21 R |
| 23 | S2454-23F-** S | D38999/32 W 23 R |
| 25 | S2454-25F-** S | D38999/32 W 25 R |

| Shell size | Part numbers | |
|------------|---------------|---------------------|
| | Plating ** | Olive green plating |
| 9 | S2454-09W**-S | D38999/32 W 09 N |
| 11 | S2454-11W**-S | D38999/32 W 11 N |
| 13 | S2454-13W**-S | D38999/32 W 13 N |
| 15 | S2454-15W**-S | D38999/32 W 15 N |
| 17 | S2454-17W**-S | D38999/32 W 17 N |
| 19 | S2454-19W**-S | D38999/32 W 19 N |
| 21 | S2454-21W**-S | D38999/32 W 21 N |
| 23 | S2454-23W**-S | D38999/32 W 23 N |
| 25 | S2454-25W**-S | D38999/32 W 25 N |

** Plating - 34 : Olive green cadmium. Plating - 12 : Nickel.

Note: Method of attachment to cover and ring is optional. Please consult us.

8D - D38999 Aluminum Series



Connectors weight

| | With contacts | | | | | | Without contact | | | | | |
|---------|------------------|--------|------------------------|--------|------------------------|--------|------------------|--------|------------------------|--------|------------------------|--------|
| | Plug (type 5) | | Receptacle (type 0) | | Receptacle (type 7) | | Plug (type 5) | | Receptacle (type 0) | | Receptacle (type 7) | |
| | Male | Female | Male | Female | Male | Female | Male | Female | Male | Female | Male | Female |
| 09 – 35 | 11.47 | 13.05 | 9.15 | 10.73 | 13.91 | 15.49 | 11.05 | 11.55 | 8.73 | 9.23 | 13.49 | 13.99 |
| 09 – 98 | 11.47 | 12.77 | 9.15 | 10.45 | 13.91 | 15.21 | 11.05 | 11.57 | 8.73 | 9.25 | 13.49 | 14.01 |
| 11 – 01 | 14.98 | 17.92 | 12.01 | 14.95 | 18.17 | 21.11 | 14.32 | 16.32 | 11.35 | 13.35 | 17.51 | 19.51 |
| 11 – 02 | 14.61 | 17.15 | 11.64 | 14.18 | 17.80 | 20.34 | 13.99 | 15.59 | 11.02 | 12.62 | 17.18 | 18.78 |
| 11 – 04 | 14.80 | 17.86 | 11.83 | 14.89 | 17.99 | 21.05 | 14.24 | 16.26 | 11.27 | 13.29 | 17.43 | 19.45 |
| 11 – 05 | 14.83 | 18.04 | 11.86 | 15.07 | 19.48 | 21.23 | 14.13 | 16.04 | 11.16 | 13.07 | 17.32 | 19.23 |
| 11 – 22 | 14.47 | 16.89 | 11.50 | 13.92 | 17.66 | 20.08 | 14.19 | 15.89 | 11.22 | 12.92 | 17.38 | 19.08 |
| 11 – 35 | 14.73 | 18.20 | 11.76 | 15.23 | 17.68 | 21.39 | 13.82 | 14.95 | 10.85 | 11.98 | 17.01 | 18.14 |
| 11 – 80 | 18.30 | 21.90 | 15.30 | 18.90 | 21.50 | 28.39 | 13.80 | 14.90 | 10.80 | 11.90 | 17.00 | 18.10 |
| 11 – 98 | 14.70 | 17.46 | 11.73 | 14.49 | 17.89 | 20.65 | 13.86 | 15.06 | 10.89 | 12.09 | 17.05 | 18.25 |
| 11 – 99 | 14.87 | 18.09 | 11.90 | 15.12 | 18.06 | 21.28 | 13.89 | 15.29 | 10.92 | 12.32 | 17.08 | 18.48 |
| 13 – 04 | 21.04 | 24.82 | 15.71 | 19.49 | 24.14 | 27.92 | 19.80 | 21.70 | 14.47 | 16.37 | 22.90 | 24.80 |
| 13 – 08 | 21.42 | 26.60 | 16.09 | 21.27 | 24.52 | 29.70 | 20.30 | 23.40 | 14.97 | 18.07 | 23.40 | 26.50 |
| 13 – 26 | 21.79 | 27.44 | 16.46 | 22.11 | 24.89 | 30.54 | 20.05 | 22.74 | 14.72 | 17.41 | 23.15 | 25.84 |
| 13 – 35 | 21.22 | 26.99 | 15.89 | 21.66 | 24.32 | 30.09 | 19.68 | 21.49 | 14.35 | 16.16 | 22.78 | 24.59 |
| 13 – 98 | 21.08 | 25.70 | 15.75 | 20.37 | 24.18 | 28.80 | 19.68 | 21.70 | 14.35 | 16.37 | 22.78 | 24.80 |
| 15 – 05 | 26.04 | 31.38 | 19.54 | 24.88 | 29.62 | 34.96 | 24.49 | 27.48 | 17.99 | 20.98 | 28.07 | 31.06 |
| 15 – 15 | 26.84 | 34.00 | 20.34 | 27.50 | 30.42 | 37.58 | 24.57 | 27.62 | 18.07 | 21.12 | 28.15 | 31.20 |
| 15 – 18 | 27.05 | 35.93 | 20.55 | 29.43 | 30.63 | 39.51 | 24.53 | 28.73 | 18.03 | 22.23 | 28.11 | 32.31 |
| 15 – 19 | 26.58 | 34.31 | 20.08 | 27.81 | 30.16 | 37.89 | 23.92 | 26.71 | 17.42 | 20.21 | 27.50 | 30.29 |
| 15 – 35 | 26.68 | 35.92 | 20.18 | 29.42 | 30.26 | 39.50 | 24.09 | 26.67 | 17.59 | 20.17 | 27.67 | 30.25 |
| 15 – 97 | 26.51 | 33.56 | 20.01 | 27.06 | 30.09 | 37.14 | 24.15 | 27.24 | 17.65 | 20.74 | 27.73 | 30.82 |
| 17 – 02 | 32.96 | 46.30 | 31.26 | 44.60 | 42.06 | 55.40 | 25.80 | 29.80 | 24.10 | 28.10 | 34.90 | 38.90 |
| 17 – 06 | 29.90 | 39.50 | 28.21 | 37.81 | 39.00 | 48.60 | 25.94 | 29.90 | 24.25 | 28.21 | 35.04 | 39.00 |
| 17 – 08 | 28.89 | 37.62 | 27.20 | 35.93 | 37.99 | 46.72 | 26.41 | 31.38 | 24.72 | 29.69 | 35.51 | 40.48 |
| 17 – 26 | 29.47 | 40.26 | 27.78 | 38.57 | 38.57 | 49.36 | 25.83 | 29.86 | 24.14 | 28.17 | 34.93 | 38.96 |
| 17 – 35 | 29.71 | 43.26 | 28.02 | 41.57 | 38.81 | 52.36 | 25.86 | 29.51 | 24.17 | 27.82 | 34.96 | 38.61 |
| 17 – 75 | 35.31 | 46.60 | 33.62 | 44.91 | 44.41 | 55.70 | 26.31 | 32.60 | 24.62 | 30.91 | 35.41 | 41.70 |
| 17 – 99 | 29.52 | 40.08 | 27.83 | 38.39 | 38.62 | 49.18 | 25.96 | 30.12 | 24.27 | 28.43 | 35.06 | 39.22 |
| 19 – 11 | 37.77 | 51.36 | 31.07 | 44.66 | 44.62 | 58.21 | 34.36 | 42.78 | 27.66 | 46.43 | 30.86 | 49.63 |
| 19 – 32 | 36.98 | 50.38 | 30.28 | 43.68 | 43.83 | 57.23 | 32.50 | 37.58 | 25.80 | 41.23 | 29.00 | 44.43 |
| 19 – 35 | 37.29 | 53.74 | 30.59 | 47.04 | 44.14 | 44.09 | 32.67 | 37.24 | 25.97 | 40.89 | 29.17 | 44.09 |
| 21 – 11 | 45.51 | 65.35 | 39.31 | 59.15 | 53.19 | 73.03 | 38.25 | 47.75 | 32.05 | 51.93 | 35.55 | 55.43 |
| 21 – 16 | 42.61 | 57.89 | 36.41 | 51.69 | 50.29 | 65.57 | 37.65 | 45.41 | 31.45 | 49.59 | 34.95 | 53.09 |
| 21 – 35 | 42.89 | 63.55 | 36.69 | 57.35 | 50.57 | 71.23 | 37.36 | 43.80 | 31.16 | 47.98 | 34.66 | 51.48 |
| 21 – 39 | 44.27 | 64.60 | 38.07 | 58.40 | 51.95 | 72.28 | 38.47 | 48.24 | 32.27 | 52.42 | 35.77 | 55.92 |
| 21 – 41 | 42.81 | 60.18 | 36.61 | 64.36 | 50.49 | 67.86 | 37.07 | 43.78 | 30.87 | 47.96 | 34.37 | 51.46 |
| 21 – 48 | 49.59 | 49.93 | 43.39 | 43.73 | 55.27 | 57.61 | 36.48 | 43.38 | 30.28 | 37.18 | 44.16 | 51.06 |
| 21 – 75 | 54.48 | 71.38 | 48.28 | 65.18 | 62.16 | 79.06 | 36.48 | 43.38 | 30.28 | 37.18 | 44.16 | 51.06 |
| 23 – 21 | 50.49 | 73.74 | 44.19 | 67.44 | 59.23 | 82.48 | 43.98 | 57.36 | 37.68 | 62.20 | 41.58 | 66.10 |
| 23 – 35 | 48.85 | 75.00 | 42.55 | 68.70 | 57.59 | 83.74 | 41.85 | 50.00 | 35.55 | 54.84 | 39.45 | 58.74 |
| 23 – 53 | 48.91 | 71.10 | 42.61 | 64.80 | 57.65 | 79.84 | 41.49 | 49.90 | 35.19 | 54.74 | 39.09 | 58.64 |
| 23 – 55 | 49.66 | 72.73 | 43.36 | 66.43 | 58.40 | 81.47 | 41.96 | 50.73 | 35.66 | 55.57 | 39.56 | 59.47 |
| 25 – 07 | 61.89 | 90.70 | 55.73 | 85.10 | 71.15 | 99.10 | 46.41 | 56.20 | 40.25 | 61.26 | 44.45 | 65.46 |
| 25 – 11 | 54.48 | 71.38 | 48.28 | 65.18 | 62.16 | 79.06 | 36.48 | 43.38 | 42.94 | 55.94 | 58.36 | 71.36 |
| 25 – 19 | 59.76 | 91.77 | 53.60 | 85.61 | 69.02 | 101.03 | 47.22 | 61.37 | 41.06 | 66.43 | 45.26 | 70.63 |
| 25 – 24 | 59.26 | 90.62 | 53.10 | 84.46 | 68.52 | 99.88 | 47.62 | 62.06 | 41.46 | 67.12 | 45.66 | 71.32 |
| 25 – 29 | 57.58 | 86.55 | 51.42 | 80.39 | 66.84 | 95.81 | 48.59 | 63.93 | 42.43 | 68.99 | 46.63 | 73.19 |
| 25 – 35 | 55.37 | 88.20 | 49.21 | 82.04 | 64.63 | 97.46 | 46.41 | 56.20 | 40.25 | 61.26 | 44.45 | 65.46 |
| 25 – 37 | 57.57 | 89.86 | 51.41 | 59.36 | 66.83 | 90.06 | 46.10 | 61.00 | 39.94 | 60.50 | 55.36 | 61.20 |
| 25 – 44 | 52.80 | 67.61 | 46.53 | 65.39 | 62.05 | 83.39 | 44.40 | 59.22 | 38.14 | 57.00 | 53.66 | 75.00 |
| 25 – 43 | 57.62 | 88.30 | 51.46 | 82.14 | 66.88 | 97.56 | 48.20 | 63.50 | 42.04 | 68.56 | 46.24 | 72.76 |
| 25 – 46 | 59.92 | 83.76 | 53.76 | 77.60 | 69.18 | 93.02 | 45.28 | 55.44 | 39.12 | 60.50 | 43.32 | 64.70 |
| 25 – 61 | 54.67 | 81.42 | 48.51 | 75.26 | 63.93 | 90.68 | 46.13 | 57.02 | 39.97 | 62.08 | 44.17 | 66.28 |
| 25 – 08 | 81.00 | 112.83 | 74.84 | 106.67 | 90.26 | 122.09 | 45.00 | 56.83 | 38.84 | 61.69 | 43.04 | 66.09 |
| 25 – 20 | 66.02 | 96.24 | 59.86 | 90.08 | 75.28 | 105.50 | 44.45 | 54.70 | 38.29 | 59.76 | 42.49 | 63.96 |
| 25 – 04 | 58.42 | 88.27 | 52.26 | 82.11 | 67.68 | 97.53 | 49.22 | 62.83 | 43.06 | 67.89 | 47.26 | 72.09 |

Weight in gram (+/- 15%)



Composite Series

MIL-DTL-38999 Series III

8D - D38999 Composite Series



Connector part numbers

| | | | | | | | | | | | |
|---|-----------|----------|----------|-----------|----------|-----------|----------|----------|----------|----------|----------|
| Basic Series | 8D | 0 | - | 11 | J | 35 | P | N | - | - | L |
| Shell style: | | | | | | | | | | | |
| 0: Square flange receptacle | | | | | | | | | | | |
| 5: Plug with RFI shielding | | | | | | | | | | | |
| Type: | | | | | | | | | | | |
| None: Connectors with standard crimp contacts. | | | | | | | | | | | |
| L: Receptacle with long PC tail (male and female size #22D, #20). | | | | | | | | | | | |
| C: Receptacle with short PC tail (male and female #22D, #20, #16). | | | | | | | | | | | |
| S: Receptacle with specific PC tail (male et female #22D) | | | | | | | | | | | |
| W: Receptacle with male contacts #22D for wire wrap (3 wraps) | | | | | | | | | | | |
| T: Receptacle with male contacts #20 for wire wrap (2 wraps) | | | | | | | | | | | |
| P: Receptacle with solder cup (male and female size #22D; male #16 & #12; female #16 & #12 and male female #20 please consult us) | | | | | | | | | | | |
| Shell size: 09, 11, 13, 15, 17, 19, 21, 23, 25 | | | | | | | | | | | |
| Plating: | | | | | | | | | | | |
| J: Olive drab cadmium | | | | | | | | | | | |
| M: Nickel | | | | | | | | | | | |
| X: Without plating | | | | | | | | | | | |
| Contact layout: See pages 11 to 14 | | | | | | | | | | | |
| Contact type: | | | | | | | | | | | |
| P: Pin (500 mating/unmating) | | | | | | | | | | | |
| H: Pin (1500 mating/unmating) | | | | | | | | | | | |
| A: Connector supplied less pin contact or with specific contacts (connector marking: A + orientation) | | | | | | | | | | | |
| S: Socket (500 mating/unmating) | | | | | | | | | | | |
| J: Socket (1500 mating/unmating) | | | | | | | | | | | |
| B: Connector supplied less socket contact or with specific contacts (connector marking: B + orientation) | | | | | | | | | | | |
| Orientation: N, A, B, C, D, E (see page 65) | | | | | | | | | | | |
| Specification: | | | | | | | | | | | |
| 046: Tinned straight PC tail | | | | | | | | | | | |
| 251: Connector provided with power contacts (layouts with contact #8) | | | | | | | | | | | |
| 022: Fuel tank | | | | | | | | | | | |
| Special custom: | | | | | | | | | | | |
| None: Standard plastic cap | | | | | | | | | | | |
| M: Antistatic plastic cap | | | | | | | | | | | |
| L: For P or S contact type only, connectors delivered without contacts, connectors marking P or S plus orientation. | | | | | | | | | | | |

MIL-DTL-38999 part numbers*

| | | | | | | | | |
|---|---------------|-----------|----------|----------|-----------|----------|----------|----------|
| Basic Series | D38999 | 20 | M | B | 35 | P | N | L |
| Shell style: | | | | | | | | |
| 20: Square flange receptacle | | | | | | | | |
| 26: Plug with RFI shielding. | | | | | | | | |
| Plating: | | | | | | | | |
| J: Olive drab cadmium | | | | | | | | |
| M: Nickel | | | | | | | | |
| Shell size: 09=A, 11=B, 13=C, 15=D, 17=E, 19=F, 21=G, 23=H, 25=J | | | | | | | | |
| Contact layout: See page 15 for layout according to MIL-DTL-38999 | | | | | | | | |
| Contact type: | | | | | | | | |
| P: Pin (500 mating/unmating) | | | | | | | | |
| H: Pin (1500 mating/unmating) | | | | | | | | |
| A: Connector supplied less pin contact or with specific contacts (connector marking: A + orientation) | | | | | | | | |
| S: Socket (500 mating/unmating) | | | | | | | | |
| J: Socket (1500 mating/unmating) | | | | | | | | |
| B: Connector supplied less socket contact or with specific contacts (connector marking: B + orientation) | | | | | | | | |
| Orientation: N, A, B, C, D, E (see page 65) | | | | | | | | |
| L: For P or S contact type only, connector delivered without contacts, connector marking P or S (without L) | | | | | | | | |

* Note: To place an order of MIL connectors delivered without MIL removable crimp contacts and keep P or S plus orientation marking, it must be specify clearly on the order (by adding a suffix L at the end of the P/N or specified in comment).

8D - D38999 Composite Series



BACC part numbers

| | | | | | | |
|--|-----------------|-----------|-----------|----------|----------|----------|
| Basic Series: BACC63CT: 8D5*M (composite plug) BACC63CU: 8D0*M (composite square flange receptacle) | BACC63CT | 13 | 98 | P | N | H |
| Shell size: 09=A, 11=B, 13=C, 15=D, 17=E, 19=F, 21=G, 23=H, 25=J | | | | | | |
| Contact layout: See page 15 for layout according to BACC | | | | | | |
| Contact type: P: Pin A: Connector supplied less pin contact or with specific contacts (connector marking: A + orientation) S: Socket B: Connector supplied less socket contact or with specific contacts (connector marking: B + orientation) | | | | | | |
| Orientation: N, A, B, C, D, E (see page 65) | | | | | | |
| H: Without contacts & without filler plug = L -: Empty with contacts | | | | | | |

EN3645 part numbers

| | | | | | | | | |
|--|---------------|----------|----------|----------|----------|-----------|----------|----------|
| Basic Series | EN3645 | J | 6 | G | N | 35 | B | N |
| Plating: J: Olive drab cadmium M: Nickel | | | | | | | | |
| Shell style: 0: Square flange receptacle 6: Plug | | | | | | | | |
| Shell size: 09=A, 11=B, 13=C, 15=D, 17=E, 19=F, 21=G, 23=H, 25=J | | | | | | | | |
| Grounding: N: Standard insert not grounded | | | | | | | | |
| Contact layout: See page 15 for layout according to EN3645 | | | | | | | | |
| Contact type: A: Connector supplied less pin contact B: Connector supplied less socket contact F: Socket M: Pin | | | | | | | | |
| Orientation: N, A, B, C, D, E (see page 65) | | | | | | | | |

8D - D38999 Composite Series



Dimensions

| Receptacle type 0 | | | | | | | | | | |
|-------------------|------------|------------|-------|------------|------------|-------------------|-------|-------|-------------------|-------------------|
| | Shell size | A Max | B Max | C Max | D Thread | E ^{±0.3} | F | G | H ^{±0.2} | J ^{±0.2} |
| | 09 (A) | 19.65 | 11.96 | 3.65 | M12 x 1-6g | 23.8 | 18.26 | 15.09 | 3.25 | 5.49 |
| 11 (B) | M15 x 1-6g | | | | 26.2 | 20.62 | 18.26 | 4.93 | | |
| 13 (C) | M18 x 1-6g | | | | 28.6 | 23.01 | 20.62 | 4.39 | | |
| 15 (D) | M22 x 1-6g | | | | 31 | 24.61 | 23.01 | 4.93 | | |
| 17 (E) | M25 x 1-6g | | | | 33.3 | 26.97 | 24.61 | 4.93 | | |
| 19 (F) | 3.7 | M28 x 1-6g | 36.5 | 29.36 | 26.97 | 4.93 | | | | |
| 21 (G) | 18.85 | 12.76 | 4.35 | M31 x 1-6g | 39.7 | 31.75 | 29.36 | 3.91 | 6.15 | |
| 23 (H) | | | | M34 x 1-6g | 42.9 | 34.93 | 31.75 | | | |
| 25 (J) | | | | M37 x 1-6g | 46 | 38.1 | 34.93 | | | |

| Plug type 5 | | | | |
|-------------|------------|------------|------------|--------|
| | Shell size | A Max. | B thread | C Max. |
| | 09 (A) | 31.00 | M12 x 1-6g | 21.80 |
| 11 (B) | 31.00 | M15 x 1-6g | 25.00 | |
| 13 (C) | 31.00 | M18 x 1-6g | 29.40 | |
| 15 (D) | 31.00 | M22 x 1-6g | 32.50 | |
| 17 (E) | 31.00 | M25 x 1-6g | 35.70 | |
| 19 (F) | 31.00 | M28 x 1-6g | 38.50 | |
| 21 (G) | 31.00 | M31 x 1-6g | 41.70 | |
| 23 (H) | 31.00 | M34 x 1-6g | 44.90 | |
| 25 (J) | 31.00 | M37 x 1-6g | 48.00 | |

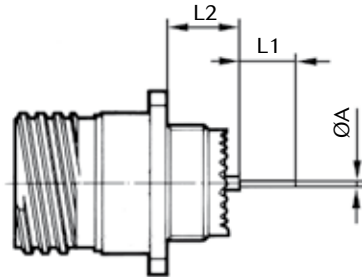
| Mated connectors | | | |
|------------------|------------|--------|--------|
| | Shell size | A Max. | B Max. |
| | 09 (A) | 37.00 | 52.30 |
| 11 (B) | 37.00 | 52.30 | |
| 13 (C) | 37.00 | 52.30 | |
| 15 (D) | 37.00 | 52.30 | |
| 17 (E) | 37.00 | 52.30 | |
| 19 (F) | 37.00 | 52.30 | |
| 21 (G) | 36.00 | 51.30 | |
| 23 (H) | 36.00 | 51.30 | |
| 25 (J) | 36.00 | 51.30 | |

Note: All dimensions are in millimeters (mm)

8D - D38999 Composite Series



Receptacle with straight PC tail contacts



| | Shell size | | | 09 (A) | 11 (B) | 13 (C) | 15 (C) | 17 (E) | 19 (F) | 21 (G) | 23 (H) | 25 (J) |
|----|--------------|--------------|--------------|--------|--------|--------|--------|--------|--------|--------|--------|--------|
| | Contact size | Contact type | PC tail type | | | | | | | | | |
| A | #22D | M & F | L & C | 0.70 | | | | | | | | |
| | #22D | M & F | S | 0.50 | | | | | | | | |
| | #20 | M & F | C | 0.70 | | | | | | | | |
| | #16 | M & F | C | 1.15 | | | | | | | | |
| L1 | #22D | M & F | L | 8.50 | | | | | | | | |
| | #22D | M & F | C | 4.00 | | | | | | | | |
| | #22D | M & F | S | 5.00 | | | | | | | | |
| | #20 | M & F | C | 5.00 | | | | | | | | |
| | #16 | M & F | C | 5.00 | | | | | | | | |
| L2 | Min | #22D | M | L & C | 9.48 | | | | 9.59 | | | |
| | Max | #22D | M | L & C | 10.38 | | | | 10.48 | | | |
| | Min | #22D | F | L & C | 9.15 | | | | 9.26 | | | |
| | Max | #22D | F | L & C | 10.58 | | | | 10.69 | | | |
| | Min | #22D | M | S | 9.65 | | | | 9.76 | | | |
| | Max | #22D | M | S | 10.55 | | | | 10.65 | | | |
| | Min | #22D | F | S | 9.65 | | | | 9.76 | | | |
| | Max | #22D | F | S | 10.55 | | | | 10.65 | | | |
| | Min | #20 | M | C | 9.65 | | | | 9.76 | | | |
| | Max | #20 | M | C | 10.55 | | | | 10.65 | | | |
| | Min | #20 | F | C | 9.65 | | | | 9.76 | | | |
| | Max | #20 | F | C | 10.55 | | | | 10.65 | | | |
| | Min | #16 | M | C | 9.65 | | | | 9.76 | | | |
| | Max | #16 | M | C | 10.55 | | | | 10.65 | | | |
| | Min | #16 | F | C | 9.65 | | | | 9.76 | | | |
| | Max | #16 | F | C | 10.55 | | | | 10.65 | | | |

M: Male contact F: Female contact L: Long PC tail C: Short PC tail S: Specific PC tail

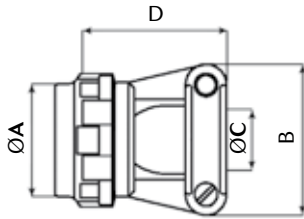
Note: All dimensions are in millimeters (mm)

8D - D38999 Composite Series

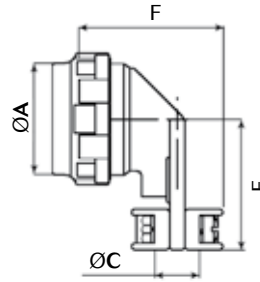


Backshells

Straight cable clamp (Type 91)



90° cable clamp (Type 92)



| Shell size | ØA Max | B Max | C Max | D Max | E | F |
|------------|--------|-------|-------|-------|-------|-------|
| 09 | 21.80 | 24.90 | 5.55 | 21.25 | 22.20 | 26.95 |
| 11 | 25.00 | 26.00 | 6.70 | 24.30 | 23.80 | 27.95 |
| 13 | 29.40 | 30.50 | 8.75 | 27.95 | 26.20 | 30.00 |
| 15 | 32.50 | 33.00 | 11.70 | 27.95 | 28.60 | 33.00 |
| 17 | 35.70 | 36.10 | 13.85 | 31.25 | 33.30 | 35.05 |
| 19 | 38.50 | 38.60 | 15.60 | 35.80 | 34.95 | 36.85 |
| 21 | 41.70 | 41.65 | 17.75 | 38.35 | 38.10 | 39.15 |
| 23 | 44.90 | 45.00 | 19.80 | 42.15 | 41.30 | 41.15 |
| 25 | 48.00 | 48.00 | 21.60 | 44.70 | 44.45 | 42.95 |

Basic Series

M85049

91

11

M

Backshell type:

91: Straight cable clamp

92: 90° cable clamp

Shell size:

09, 11, 13, 15, 17, 19, 21, 23, 25

Plating:

J: Olive drab cadmium over electroless nickel

M: Electroless nickel

T: Without plating

Note: All dimensions are in millimeters (mm)

8D - D38999 Composite Series



Connectors weight

| | With contacts | | | | Without contact | | | |
|-------|------------------|--------|------------------------|--------|------------------|--------|------------------------|--------|
| | Plug (type 5) | | Receptacle (type 0) | | Plug (type 5) | | Receptacle (type 0) | |
| | Male | Female | Male | Female | Male | Female | Male | Female |
| 09-35 | 8.5 | 10.1 | 7.8 | 9.4 | 8.1 | 8.6 | 7.4 | 7.9 |
| 09-98 | 8.5 | 9.8 | 7.8 | 9.1 | 8.1 | 8.6 | 7.4 | 7.9 |
| 11-01 | 12.8 | 15.7 | 10.4 | 13.3 | 12.1 | 14.1 | 9.7 | 11.7 |
| 11-02 | 11.5 | 14.1 | 09.3 | 11.8 | 10.9 | 12.5 | 08.7 | 10.3 |
| 11-04 | 12.6 | 15.7 | 10.2 | 13.3 | 12.0 | 14.1 | 9.7 | 11.7 |
| 11-05 | 12.6 | 15.8 | 10.2 | 13.4 | 11.9 | 13.8 | 9.5 | 11.5 |
| 11-22 | 11.4 | 13.8 | 09.1 | 11.6 | 11.1 | 12.8 | 08.8 | 10.6 |
| 11-35 | 12.5 | 16.0 | 10.1 | 13.6 | 11.6 | 12.8 | 9.2 | 10.4 |
| 11-80 | 15.25 | 18.6 | 13.40 | 10.4 | 10.75 | 11.63 | 08.90 | 09.4 |
| 11-98 | 12.5 | 15.3 | 10.1 | 12.9 | 11.7 | 12.8 | 9.3 | 10.5 |
| 11-99 | 11.8 | 15.0 | 09.6 | 12.8 | 10.8 | 12.2 | 08.6 | 10.0 |
| 13-04 | 17.2 | 20.9 | 13.7 | 17.5 | 15.6 | 17.9 | 12.4 | 14.3 |
| 13-08 | 17.6 | 22.8 | 14.1 | 19.2 | 16.5 | 19.6 | 12.9 | 16.1 |
| 13-26 | 17.9 | 23.6 | 14.4 | 20.1 | 16.2 | 18.9 | 12.7 | 15.4 |
| 13-35 | 17.4 | 23.1 | 13.8 | 19.6 | 15.8 | 17.6 | 12.3 | 14.1 |
| 13-98 | 17.2 | 21.8 | 13.7 | 18.3 | 15.8 | 17.9 | 12.3 | 14.3 |
| 15-05 | 21.4 | 26.7 | 16.6 | 21.9 | 19.8 | 22.8 | 15.0 | 18.0 |
| 15-15 | 22.2 | 29.3 | 17.4 | 24.5 | 19.9 | 23.0 | 15.1 | 18.1 |
| 15-18 | 22.4 | 31.3 | 17.6 | 26.5 | 19.9 | 24.0 | 15.0 | 19.2 |
| 15-19 | 22.0 | 29.6 | 17.1 | 24.8 | 19.2 | 22.0 | 14.5 | 17.2 |
| 15-35 | 22.0 | 31.3 | 17.2 | 26.5 | 19.4 | 22.0 | 14.6 | 17.2 |
| 15-97 | 21.8 | 28.9 | 17.1 | 24.1 | 19.4 | 22.6 | 14.7 | 17.8 |
| 17-02 | 26.51 | 38.85 | 25.23 | 37.57 | 19.35 | 22.35 | 18.07 | 21.07 |
| 17-06 | 25.9 | 35.5 | 23.2 | 32.8 | 21.9 | 25.9 | 19.2 | 23.2 |
| 17-08 | 24.9 | 33.6 | 22.2 | 30.1 | 22.4 | 27.4 | 19.7 | 24.7 |
| 17-26 | 25.5 | 36.3 | 22.8 | 33.6 | 21.8 | 25.9 | 19.2 | 23.1 |
| 17-35 | 25.7 | 39.3 | 23.0 | 36.6 | 21.9 | 25.5 | 19.2 | 22.8 |
| 17-75 | 31.3 | 42.6 | 28.6 | 39.9 | 22.3 | 28.6 | 19.6 | 25.9 |
| 17-99 | 25.5 | 36.1 | 22.8 | 33.4 | 22.0 | 26.1 | 19.3 | 23.4 |
| 19-11 | 32.1 | 45.7 | 26.1 | 39.7 | 28.7 | 37.1 | 22.7 | 31.1 |
| 19-32 | 31.3 | 44.7 | 25.3 | 38.7 | 26.8 | 31.9 | 20.8 | 25.9 |
| 19-35 | 31.6 | 48.1 | 25.6 | 42.0 | 27.1 | 31.6 | 21.0 | 25.6 |
| 21-11 | 38.0 | 57.9 | 32.8 | 52.6 | 30.8 | 40.3 | 25.5 | 35.1 |
| 21-16 | 35.1 | 50.4 | 29.9 | 45.2 | 30.2 | 37.9 | 24.9 | 32.7 |
| 21-35 | 35.4 | 56.1 | 30.1 | 50.8 | 29.9 | 36.3 | 24.6 | 31.1 |
| 21-39 | 36.8 | 57.1 | 31.5 | 51.9 | 31.0 | 40.8 | 25.7 | 35.5 |
| 21-41 | 35.3 | 52.7 | 30.1 | 47.5 | 29.6 | 36.3 | 24.3 | 31.0 |
| 21-48 | 42.41 | 62.40 | 37.71 | 57.70 | 29.3 | 36.2 | 24.6 | 31.5 |
| 21-75 | 47.3 | 64.2 | 42.6 | 59.50 | 29.3 | 36.2 | 24.6 | 31.5 |
| 23-21 | 43.1 | 66.3 | 38.0 | 61.2 | 36.5 | 49.9 | 31.5 | 44.8 |
| 23-35 | 41.4 | 67.5 | 36.3 | 62.5 | 34.4 | 42.5 | 29.3 | 37.5 |
| 23-53 | 41.5 | 63.6 | 36.4 | 58.6 | 34.1 | 42.4 | 29.0 | 37.4 |
| 23-55 | 42.2 | 65.3 | 42.2 | 60.2 | 34.5 | 43.3 | 29.4 | 38.2 |
| 25-07 | 53.6 | 90.05 | 49.0 | 84.85 | 37.8 | 51.8 | 33.2 | 46.6 |
| 25-11 | 59.08 | 81.60 | 54.48 | 77.00 | 40.8 | 53.8 | 36.2 | 49.2 |
| 25-19 | 51.7 | 83.7 | 46.6 | 78.6 | 39.2 | 53.3 | 34.0 | 48.2 |
| 25-24 | 51.2 | 82.5 | 46.1 | 77.4 | 39.6 | 54.0 | 34.4 | 48.9 |
| 25-29 | 49.5 | 78.5 | 44.4 | 73.4 | 40.5 | 55.9 | 35.4 | 50.7 |
| 25-35 | 47.3 | 80.1 | 42.2 | 75.0 | 38.4 | 48.1 | 33.2 | 43.0 |
| 25-37 | 49.27 | 80.36 | 45.47 | 76.16 | 37.8 | 51.50 | 34.0 | 47.30 |
| 25-44 | 69.64 | 93.70 | 65.04 | 94.65 | 36.1 | 45.80 | 31.5 | 46.75 |
| 25-43 | 49.6 | 80.2 | 44.4 | 75.1 | 40.1 | 55.4 | 35.0 | 50.3 |
| 25-46 | 51.9 | 75.7 | 46.7 | 70.1 | 37.2 | 47.4 | 32.1 | 42.2 |
| 25-61 | 46.6 | 73.4 | 41.5 | 68.2 | 38.1 | 48.9 | 32.9 | 43.8 |
| 25-08 | 72.9 | 104.8 | 67.8 | 99.6 | 36.9 | 48.8 | 31.8 | 43.6 |
| 25-20 | 57.9 | 88.2 | 52.8 | 83.0 | 36.4 | 46.6 | 31.3 | 41.5 |
| 25-04 | 50.4 | 80.2 | 45.3 | 75.0 | 41.2 | 54.8 | 36.1 | 49.6 |

Weight in gram (+/- 15%)



Stainless Steel Series

MIL-DTL-38999 Series III

8D - D38999 Stainless Steel Series



Connector part numbers

| | | | | | | | | | | | |
|---|-----------|----------|----------|-----------|----------|-----------|----------|----------|----------|----------|----------|
| Basic Series | 8D | 0 | - | 11 | K | 35 | P | N | - | - | L |
| Shell style: | | | | | | | | | | | |
| 0: Square flange receptacle | | | | | | | | | | | |
| 7: Jam nut receptacle | | | | | | | | | | | |
| 5: Plug with RFI shielding | | | | | | | | | | | |
| Type: | | | | | | | | | | | |
| None: Connectors with standard crimp contacts. | | | | | | | | | | | |
| L: Receptacle with long PC tail (male and female size #22D, #20). | | | | | | | | | | | |
| C: Receptacle with short PC tail (male and female #22D, #20, #16). | | | | | | | | | | | |
| S: Receptacle with specific PC tail (male et female #22D) | | | | | | | | | | | |
| W: Receptacle with male contacts #22D for wire wrap (3 wraps) | | | | | | | | | | | |
| T: Receptacle with male contacts #20 for wire wrap (2 wraps) | | | | | | | | | | | |
| P: Receptacle with solder cup (male and female size #22D; male #16 & #12; female #16 & #12 and male female #20 please consult us) | | | | | | | | | | | |
| Shell size: 09, 11, 13, 15, 17, 19, 21, 23, 25 | | | | | | | | | | | |
| Plating: | | | | | | | | | | | |
| K: Passivated | | | | | | | | | | | |
| S: Nickel | | | | | | | | | | | |
| Contact layout: See pages 11 to 14 | | | | | | | | | | | |
| Contact type: | | | | | | | | | | | |
| P: Pin | | | | | | | | | | | |
| A: Connector supplied less pin contact or with specific contacts (connector marking: A + orientation) | | | | | | | | | | | |
| S: Socket | | | | | | | | | | | |
| B: Connector supplied less socket contact or with specific contacts (connector marking: B + orientation) | | | | | | | | | | | |
| Orientation: N, A, B, C, D, E (see page 65) | | | | | | | | | | | |
| Specification: | | | | | | | | | | | |
| 046: Tinned straight PC tail | | | | | | | | | | | |
| 251: Connector provided with power contacts (layouts with contact #8) | | | | | | | | | | | |
| 022: Fuel tank | | | | | | | | | | | |
| Special custom | | | | | | | | | | | |
| None: Standard plastic cap | | | | | | | | | | | |
| M: Antistatic plastic cap | | | | | | | | | | | |
| L: For P or S contact type only, connectors delivered without contacts, connectors marking P or S plus orientation. | | | | | | | | | | | |

MIL-DTL-38999 part numbers*

| | | | | | | | | |
|---|---------------|-----------|----------|----------|-----------|----------|----------|----------|
| Basic Series | D38999 | 20 | K | B | 35 | P | N | L |
| Shell style: | | | | | | | | |
| 20: Square flange receptacle | | | | | | | | |
| 24: Jam nut receptacle | | | | | | | | |
| 26: Plug with RFI shielding. | | | | | | | | |
| Plating: | | | | | | | | |
| K: Passivated | | | | | | | | |
| S: Nickel | | | | | | | | |
| Shell size: 09=A, 11=B, 13=C, 15=D, 17=E, 19=F, 21=G, 23=H, 25=J | | | | | | | | |
| Contact layout: See page 15 for layout according to MIL-DTL-38999 | | | | | | | | |
| Contact type: | | | | | | | | |
| P: Pin | | | | | | | | |
| A: Connector supplied less pin contact or with specific contacts (connector marking: A + orientation) | | | | | | | | |
| S: Socket | | | | | | | | |
| B: Connector supplied less socket contact or with specific contacts (connector marking: B + orientation) | | | | | | | | |
| Orientation: N, A, B, C, D, E (see page 65) | | | | | | | | |
| L: For P or S contact type only, connector delivered without contacts, connector marking P or S (without L) | | | | | | | | |

* Note: To place an order of MIL connectors delivered without MIL removable crimp contacts and keep P or S plus orientation marking, it must be specified clearly on the order (by adding a suffix L at the end of the P/N or specified in comment).

8D - D38999 Stainless Steel Series



BACC part numbers

| | | | | | | |
|--|-----------------|-----------|-----------|----------|----------|----------|
| Basic Series: BACC63DB: 8D5*K (stainless steel plug) BACC63DC: 8D0*K (stainless steel square flange receptacle) | BACC63DB | 13 | 98 | P | N | H |
| Shell size: 09=A, 11=B, 13=C, 15=D, 17=E, 19=F, 21=G, 23=H, 25=J | | | | | | |
| Contact layout: See page 15 for layout according to BACC | | | | | | |
| Contact type: P: Pin A: Connector supplied less pin contact or with specific contacts (connector marking: A + orientation) S: Socket B: Connector supplied less socket contact or with specific contacts (connector marking: B + orientation) | | | | | | |
| Orientation: N, A, B, C, D, E (see page 65) | | | | | | |
| H: Without contacts & without filler plug = L -: Empty with contacts | | | | | | |

EN3645 part numbers

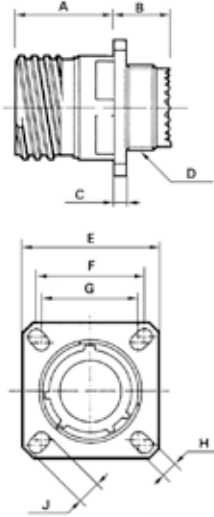
| | | | | | | | | |
|--|---------------|----------|----------|----------|----------|-----------|----------|----------|
| Basic Series | EN3645 | K | 6 | G | N | 35 | B | N |
| Plating: K: Stainless steel passivated | | | | | | | | |
| Shell style: 0: Square flange receptacle 6: Plug 7: Jam nut receptacle | | | | | | | | |
| Shell size: 09=A, 11=B, 13=C, 15=D, 17=E, 19=F, 21=G, 23=H, 25=J | | | | | | | | |
| Grounding: N: Standard insert not grounded | | | | | | | | |
| Contact layout: See page 15 for layout according to EN3645 | | | | | | | | |
| Contact type: A: Connector supplied less pin contact B: Connector supplied less socket contact F: Socket M: Pin | | | | | | | | |
| Orientation: N, A, B, C, D, E (see page 65) | | | | | | | | |

8D - D38999 Stainless Steel Series



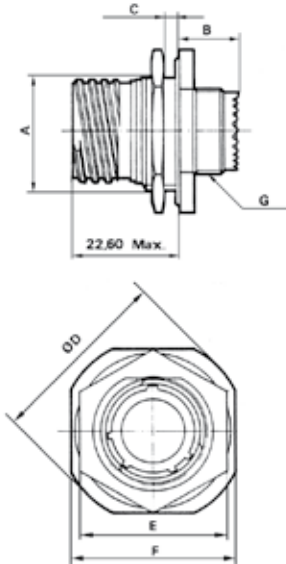
Dimensions

Receptacle type 0 (8D) or type 20 (D38999)



| Shell size | A Max | B Max | C Max | D Thread | E ± 0.3 | F | G | H ± 0.2 | J ± 0.2 |
|------------|-------|-------|-------|------------|-------------|-------|-------|-------------|-------------|
| 09 (A) | 20.2 | 11.4 | 2.5 | M12 x 1-6g | 23.8 | 18.26 | 15.09 | 3.25 | 5.49 |
| 11 (B) | | | | M15 x 1-6g | 26.2 | 20.62 | 18.26 | | 4.93 |
| 13 (C) | | | | M18 x 1-6g | 28.6 | 23.01 | 20.62 | | 4.4 |
| 15 (D) | | | | M22 x 1-6g | 31 | 24.61 | 23.01 | | 4.93 |
| 17 (E) | | | | M25 x 1-6g | 33.3 | 26.97 | 24.61 | | |
| 19 (F) | | | | M28 x 1-6g | 36.5 | 29.36 | 26.97 | | |
| 21 (G) | 19.8 | 11.8 | 3.2 | M31 x 1-6g | 39.7 | 31.75 | 29.36 | 3.91 | 6.15 |
| 23 (H) | | 11.4 | | M34 x 1-6g | 42.9 | 34.93 | 31.75 | | |
| 25 (J) | | | | M37 x 1-6g | 46 | 38.1 | 34.93 | | |

Receptacle type 7 (8D) or type 24 (D38999)



| Shell size | A ± 0.15 | B Max | C Max | D Max | E Max | F ± 0.4 | G Thread |
|------------|--------------|-------|-------|-------|-------|-------------|------------|
| 09 (A) | 16.57 | 9.9 | 3.2 | 30.5 | 23 | 27 | M12 x 1-6g |
| 11 (B) | 19.12 | | | 35.2 | 26 | 31.8 | M15 x 1-6g |
| 13 (C) | 23.87 | | | 38.4 | 31 | 34.9 | M18 x 1-6g |
| 15 (D) | 27.02 | | | 41.6 | 34 | 38.1 | M22 x 1-6g |
| 17 (E) | 30.2 | | | 44.8 | 37 | 41.3 | M25 x 1-6g |
| 19 (F) | 33.37 | | | 49.5 | 41 | 46 | M28 x 1-6g |
| 21 (G) | 36.55 | | | 52.7 | 46 | 49.2 | M31 x 1-6g |
| 23 (H) | 39.72 | | | 55.9 | 47 | 52.4 | M34 x 1-6g |
| 25 (J) | 42.90 | | | 59 | 51.23 | 55.6 | M37 x 1-6g |

Recommended coupling torque on panel for jam nut receptacle (type 7)

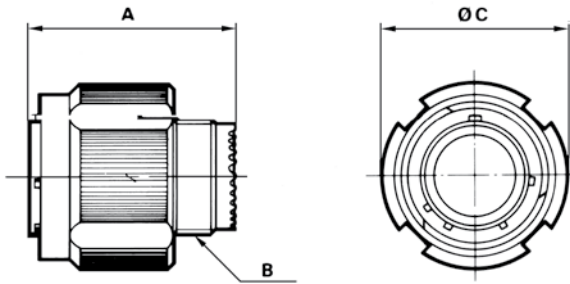
| Shell | 09 (A) | 11 (B) | 13 (C) | 15 (D) | 17 (E) | 19 (F) | 21 (G) | 23 (H) | 25 (J) |
|----------------------------------|--------|--------|--------|--------|--------|--------|--------|--------|--------|
| Coupling torque (± 0.5 N.m) | 4 | 5 | 7 | 8 | 9 | 10 | 12 | 13 | 14 |

Note: All dimensions are in millimeters (mm)

8D - D38999 Stainless Steel Series

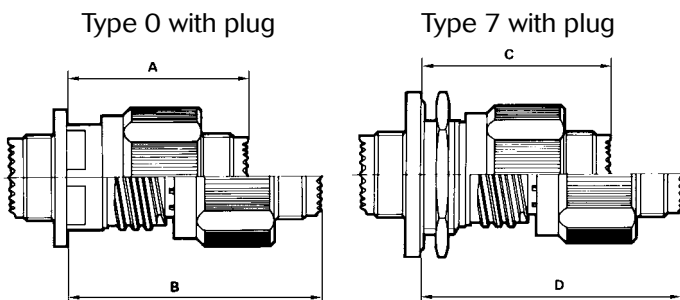


Plug type 5 (8D) or type 26 (D38999)



| Shell size | A Max. | B thread | C Max. |
|------------|--------|------------|--------|
| 09 (A) | 31.00 | M12 x 1-6g | 21.80 |
| 11 (B) | 31.00 | M15 x 1-6g | 25.00 |
| 13 (C) | 31.00 | M18 x 1-6g | 29.40 |
| 15 (D) | 31.00 | M22 x 1-6g | 32.50 |
| 17 (E) | 31.00 | M25 x 1-6g | 35.70 |
| 19 (F) | 31.00 | M28 x 1-6g | 38.50 |
| 21 (G) | 31.00 | M31 x 1-6g | 41.70 |
| 23 (H) | 31.00 | M34 x 1-6g | 44.90 |
| 25 (J) | 31.00 | M37 x 1-6g | 48.00 |

Mated connectors dimensions



| Shell size | A Max. | B Max. | C Max. | D Max. |
|------------|--------|--------|--------|--------|
| 09 (A) | 37.00 | 52.30 | 38.30 | 53.60 |
| 11 (B) | 37.00 | 52.30 | 38.30 | 53.60 |
| 13 (C) | 37.00 | 52.30 | 38.50 | 53.80 |
| 15 (D) | 37.00 | 52.30 | 38.50 | 53.80 |
| 17 (E) | 37.00 | 52.30 | 38.50 | 53.80 |
| 19 (F) | 37.00 | 52.30 | 38.50 | 53.80 |
| 21 (G) | 36.00 | 51.30 | 38.50 | 53.80 |
| 23 (H) | 36.00 | 51.30 | 38.50 | 53.80 |
| 25 (J) | 36.00 | 51.30 | 38.50 | 53.80 |

Note: All dimensions are in millimeters (mm)

8D - D38999 Stainless Steel Series



Receptacle with straight PC tail contacts



| | | Shell size | | | 09 (A) | 11 (B) | 13 (C) | 15 (C) | 17 (E) | 19 (F) | 21 (G) | 23 (H) | 25 (J) |
|----|-----|--------------|--------------|--------------|--------|--------|--------|--------|--------|--------|--------|--------|--------|
| | | Contact size | Contact type | PC tail type | | | | | | | | | |
| A | | #22D | M & F | L & C | | | | | 0.70 | | | | |
| | | #22D | M & F | S | | | | | 0.50 | | | | |
| | | #20 | M & F | C | | | | | 0.70 | | | | |
| | | #16 | M & F | C | | | | | 1.15 | | | | |
| L1 | Min | #22D | M | L & C | 10.52 | | | | | 10.34 | | | |
| | Max | #22D | M | L & C | 11.46 | | | | | 11.28 | | | |
| | Min | #22D | F | L & C | 10.19 | | | | | 10.01 | | | |
| | Max | #22D | F | L & C | 11.46 | | | | | 11.28 | | | |
| | Min | #22D | M | S | 10.69 | | | | | 10.51 | | | |
| | Max | #22D | M | S | 11.63 | | | | | 11.45 | | | |
| | Min | #22D | F | S | 10.36 | | | | | 10.18 | | | |
| | Max | #22D | F | S | 11.63 | | | | | 11.45 | | | |
| | Min | #20 | M | C | 10.69 | | | | | 10.51 | | | |
| | Max | #20 | M | C | 11.63 | | | | | 11.45 | | | |
| | Min | #20 | F | C | 10.69 | | | | | 10.51 | | | |
| | Max | #20 | F | C | 11.63 | | | | | 11.45 | | | |
| | Min | #16 | M | C | 10.69 | | | | | 10.51 | | | |
| | Max | #16 | M | C | 11.63 | | | | | 11.45 | | | |
| | Min | #16 | F | C | 10.69 | | | | | 10.51 | | | |
| | Max | #16 | F | C | 11.63 | | | | | 11.45 | | | |
| L2 | | #22D | M & F | L | | | | | 8.50 | | | | |
| | | #22D | M & F | C | | | | | 4.00 | | | | |
| | | #22D | M & F | S | | | | | 5.10 | | | | |
| | | #20 | M & F | C | | | | | 5.10 | | | | |
| | | #16 | M & F | C | | | | | 5.10 | | | | |
| L3 | Min | #22D | M | L & C | | | 9.48 | | | | | 9.59 | |
| | Max | #22D | M | L & C | | | 10.58 | | | | | 10.69 | |
| | Min | #22D | F | L & C | | | 9.15 | | | | | 9.26 | |
| | Max | #22D | F | L & C | | | 10.58 | | | | | 10.69 | |
| | Min | #22D | M | S | | | 9.65 | | | | | 9.76 | |
| | Max | #22D | M | S | | | 10.75 | | | | | 10.86 | |
| | Min | #22D | F | S | | | 9.15 | | | | | 9.26 | |
| | Max | #22D | F | S | | | 10.75 | | | | | 10.86 | |
| | Min | #20 | M | C | | | 9.65 | | | | | 9.76 | |
| | Max | #20 | M | C | | | 10.75 | | | | | 10.86 | |
| | Min | #20 | F | C | | | 9.65 | | | | | 9.76 | |
| | Max | #20 | F | C | | | 10.75 | | | | | 10.86 | |
| | Min | #16 | M | C | | | 9.65 | | | | | 9.76 | |
| | Max | #16 | M | C | | | 10.75 | | | | | 10.86 | |
| | Min | #16 | F | C | | | 9.65 | | | | | 9.76 | |
| | Max | #16 | F | C | | | 10.75 | | | | | 10.86 | |

M: Male contact

F: Female contact

L: Long PC tail

C: Short PC tail

S: Specific PC tail

Dimensions in millimeters

8D - D38999 Stainless Steel Series



Connectors weight

| | With contacts | | | | | | Without contact | | | | | |
|-------|------------------|--------|------------------------|--------|------------------------|--------|------------------|--------|------------------------|--------|------------------------|--------|
| | Plug (type 5) | | Receptacle (type 0) | | Receptacle (type 7) | | Plug (type 5) | | Receptacle (type 0) | | Receptacle (type 7) | |
| | Male | Female | Male | Female | Male | Female | Male | Female | Male | Female | Male | Female |
| 09-35 | 30.63 | 32.21 | 23.93 | 25.51 | 33.93 | 35.51 | 30.21 | 30.71 | 23.51 | 24.01 | 33.51 | 34.01 |
| 09-98 | 30.63 | 31.93 | 23.93 | 25.23 | 33.93 | 35.23 | 30.21 | 30.73 | 23.51 | 24.03 | 33.51 | 34.03 |
| 11-01 | 38.13 | 41.07 | 29.53 | 32.47 | 42.43 | 45.37 | 37.47 | 39.47 | 28.87 | 30.87 | 41.77 | 43.77 |
| 11-02 | 37.76 | 40.30 | 29.36 | 30.12 | 46.98 | 49.52 | 37.14 | 38.74 | 28.56 | 30.16 | 46.36 | 47.96 |
| 11-04 | 37.95 | 41.01 | 29.35 | 32.41 | 42.25 | 45.31 | 37.39 | 39.41 | 28.79 | 30.81 | 41.69 | 43.71 |
| 11-05 | 37.98 | 41.19 | 29.38 | 32.59 | 42.04 | 45.49 | 37.28 | 39.19 | 28.68 | 30.59 | 41.58 | 43.49 |
| 11-22 | 37.48 | 39.54 | 28.90 | 130.86 | 46.70 | 48.76 | 37.34 | 39.04 | 28.76 | 30.36 | 46.56 | 48.26 |
| 11-35 | 37.88 | 41.35 | 29.28 | 32.75 | 41.94 | 45.65 | 36.97 | 38.10 | 28.37 | 29.50 | 41.27 | 42.40 |
| 11-80 | 38.12 | 44.84 | 29.73 | 36.26 | 47.78 | 54.06 | 34.86 | 37.84 | 26.45 | 29.26 | 44.51 | 47.06 |
| 11-98 | 37.85 | 40.61 | 29.25 | 32.01 | 42.15 | 44.91 | 37.01 | 38.21 | 28.41 | 29.61 | 41.31 | 42.51 |
| 11-99 | 38.02 | 41.24 | 29.44 | 32.66 | 47.24 | 50.46 | 37.04 | 38.44 | 28.46 | 29.86 | 46.26 | 47.66 |
| 13-04 | 53.34 | 57.12 | 37.94 | 41.72 | 56.24 | 60.02 | 52.10 | 54.00 | 36.70 | 38.60 | 55.00 | 56.90 |
| 13-08 | 53.72 | 58.90 | 38.32 | 43.50 | 56.62 | 61.80 | 52.60 | 55.70 | 37.20 | 40.30 | 55.50 | 58.60 |
| 13-26 | 54.09 | 59.74 | 38.69 | 44.34 | 56.99 | 62.64 | 52.35 | 55.04 | 36.95 | 39.64 | 55.25 | 57.94 |
| 13-35 | 53.52 | 59.29 | 38.12 | 43.89 | 56.42 | 62.19 | 51.98 | 53.79 | 36.58 | 38.39 | 54.88 | 56.69 |
| 13-98 | 53.38 | 58.00 | 37.98 | 42.60 | 56.28 | 60.90 | 51.98 | 54.00 | 36.58 | 38.60 | 54.88 | 56.90 |
| 15-05 | 64.49 | 69.83 | 45.69 | 51.03 | 67.59 | 72.93 | 62.94 | 65.93 | 44.14 | 47.13 | 66.04 | 69.03 |
| 15-15 | 65.29 | 72.45 | 46.49 | 53.65 | 68.39 | 75.55 | 63.02 | 66.07 | 44.22 | 47.27 | 66.12 | 69.17 |
| 15-18 | 65.50 | 74.38 | 46.70 | 55.58 | 68.60 | 77.48 | 62.98 | 67.18 | 44.18 | 48.38 | 66.08 | 70.28 |
| 15-19 | 65.03 | 72.76 | 46.23 | 53.96 | 68.13 | 75.86 | 62.37 | 65.16 | 43.57 | 46.36 | 65.47 | 68.26 |
| 15-35 | 65.13 | 74.37 | 46.33 | 55.57 | 68.23 | 77.47 | 62.54 | 65.12 | 43.74 | 46.32 | 65.64 | 68.22 |
| 15-97 | 64.96 | 72.01 | 46.16 | 53.21 | 68.06 | 75.11 | 62.60 | 65.69 | 43.80 | 46.89 | 65.70 | 68.79 |
| 17-02 | 77.80 | 92.64 | 72.89 | 87.73 | 104.09 | 118.95 | 74.53 | 86.09 | 69.62 | 81.18 | 100.82 | 112.38 |
| 17-06 | 69.07 | 78.67 | 64.17 | 73.77 | 87.27 | 96.87 | 65.11 | 69.07 | 60.21 | 64.17 | 83.31 | 87.27 |
| 17-08 | 68.06 | 76.79 | 63.16 | 71.89 | 86.26 | 94.99 | 65.58 | 70.55 | 60.68 | 65.65 | 83.78 | 88.75 |
| 17-26 | 68.64 | 79.43 | 63.74 | 74.53 | 86.84 | 97.63 | 65.00 | 69.03 | 60.10 | 64.13 | 83.20 | 87.23 |
| 17-35 | 68.88 | 82.43 | 63.98 | 77.53 | 87.08 | 100.63 | 65.03 | 68.68 | 60.13 | 63.78 | 83.23 | 86.88 |
| 17-75 | 74.48 | 85.77 | 69.58 | 80.87 | 92.68 | 103.97 | 65.48 | 71.77 | 60.58 | 66.87 | 83.68 | 89.97 |
| 17-99 | 68.69 | 79.25 | 63.79 | 74.35 | 86.89 | 97.45 | 65.13 | 69.29 | 60.23 | 64.39 | 83.33 | 87.49 |
| 19-11 | 87.04 | 100.63 | 67.69 | 81.28 | 97.59 | 111.18 | 83.63 | 92.05 | 64.28 | 73.45 | 94.18 | 103.35 |
| 19-32 | 86.25 | 99.65 | 66.90 | 80.30 | 96.80 | 110.20 | 81.77 | 86.85 | 62.42 | 67.50 | 92.32 | 97.40 |
| 19-35 | 86.56 | 103.01 | 67.21 | 83.66 | 97.11 | 113.56 | 81.94 | 86.51 | 62.59 | 67.16 | 92.49 | 97.06 |
| 21-11 | 99.71 | 119.55 | 81.81 | 101.65 | 111.81 | 131.65 | 92.45 | 101.95 | 74.55 | 84.05 | 104.55 | 114.05 |
| 21-16 | 96.81 | 112.09 | 78.91 | 94.19 | 108.91 | 124.19 | 91.85 | 99.61 | 73.95 | 81.71 | 103.95 | 111.71 |
| 21-35 | 97.09 | 117.75 | 79.19 | 99.85 | 109.19 | 129.85 | 91.56 | 98.00 | 73.66 | 80.10 | 103.66 | 110.10 |
| 21-39 | 98.47 | 118.80 | 80.57 | 100.90 | 110.57 | 130.90 | 92.67 | 102.44 | 74.77 | 84.54 | 104.77 | 114.54 |
| 21-41 | 97.01 | 114.38 | 79.11 | 126.48 | 109.11 | 126.48 | 91.27 | 97.98 | 73.37 | 80.08 | 103.37 | 80.08 |
| 21-48 | 103.84 | 123.82 | 85.93 | 105.91 | 126.02 | 146.02 | 90.72 | 97.62 | 72.81 | 79.71 | 112.92 | 119.82 |
| 21-75 | 108.72 | 125.62 | 90.81 | 107.71 | 130.92 | 147.82 | 90.72 | 97.62 | 72.81 | 79.71 | 112.92 | 119.82 |
| 23-21 | 108.81 | 132.06 | 90.61 | 113.86 | 122.81 | 146.06 | 102.30 | 115.68 | 84.10 | 97.48 | 116.30 | 129.68 |
| 23-35 | 107.17 | 133.32 | 88.97 | 115.12 | 121.17 | 147.32 | 100.17 | 108.32 | 81.97 | 90.12 | 114.17 | 122.32 |
| 23-53 | 107.23 | 129.42 | 89.03 | 111.22 | 121.23 | 143.42 | 99.81 | 108.22 | 81.61 | 90.02 | 113.81 | 122.22 |
| 23-55 | 107.98 | 131.05 | 89.78 | 112.85 | 121.98 | 145.05 | 100.28 | 109.05 | 82.08 | 90.85 | 114.28 | 123.05 |
| 25-07 | 133.3 | 157.7 | 115.5 | 172.25 | 160.06 | 172.25 | 108.51 | 119.45 | 90.71 | 101.65 | 135.27 | 101.65 |
| 25-11 | 132.31 | 152.31 | 114.51 | 134.51 | 159.71 | 179.07 | 111.51 | 124.51 | 93.71 | 106.71 | 138.91 | 151.27 |
| 25-19 | 122.14 | 154.15 | 104.34 | 136.35 | 136.74 | 168.75 | 109.60 | 123.75 | 91.80 | 105.95 | 124.20 | 138.35 |
| 25-24 | 121.64 | 153.00 | 103.84 | 135.20 | 136.24 | 167.60 | 110.00 | 124.44 | 92.20 | 106.64 | 124.60 | 139.04 |
| 25-29 | 119.96 | 148.93 | 102.16 | 131.13 | 134.56 | 163.53 | 110.97 | 126.31 | 93.17 | 108.51 | 125.57 | 140.91 |
| 25-35 | 117.75 | 150.58 | 99.95 | 132.78 | 132.35 | 165.18 | 108.79 | 118.58 | 90.99 | 100.78 | 123.39 | 133.18 |
| 25-37 | 119.98 | 148.26 | 102.18 | 162.67 | 146.74 | 162.67 | 108.51 | 119.40 | 90.71 | 101.60 | 135.27 | 101.60 |
| 25-44 | 140.35 | 164.98 | 122.55 | 179.58 | 167.11 | 179.71 | 106.81 | 117.08 | 89.01 | 99.28 | 133.57 | 99.41 |
| 25-43 | 120.00 | 150.68 | 102.20 | 132.88 | 134.60 | 165.28 | 110.58 | 125.88 | 92.78 | 108.08 | 125.18 | 140.48 |
| 25-46 | 122.30 | 146.14 | 104.50 | 128.34 | 136.90 | 160.74 | 107.66 | 117.82 | 89.86 | 100.02 | 122.26 | 132.42 |
| 25-61 | 117.05 | 143.80 | 99.25 | 126.00 | 131.65 | 158.40 | 108.51 | 119.40 | 90.71 | 101.60 | 123.11 | 155.51 |
| 25-08 | 143.38 | 175.21 | 125.58 | 157.41 | 157.98 | 189.81 | 107.38 | 119.21 | 89.58 | 101.41 | 121.98 | 133.81 |
| 25-20 | 128.40 | 158.62 | 110.60 | 140.82 | 143.00 | 173.22 | 106.83 | 117.08 | 89.03 | 99.28 | 121.43 | 131.68 |
| 25-04 | 120.80 | 150.65 | 103.00 | 132.85 | 135.40 | 165.25 | 111.60 | 125.21 | 93.80 | 107.41 | 126.20 | 139.81 |

Weight in gram (+/- 15%)



Titanium Series

Derived from MIL-DTL-38999 Series III

8D - Titanium Series



Connector part numbers

| Basic Series | 8D | 0 | - | 11 | TT | 35 | P | N | - | - | L |
|---|----|---|---|----|----|----|---|---|---|---|---|
| Shell style: | | | | | | | | | | | |
| 0: Square flange receptacle | | | | | | | | | | | |
| 7: Jam nut receptacle | | | | | | | | | | | |
| 5: Plug with RFI shielding | | | | | | | | | | | |
| Type: | | | | | | | | | | | |
| None: Connectors with standard crimp contacts. | | | | | | | | | | | |
| L: Receptacle with long PC tail (male and female size #22D, #20). | | | | | | | | | | | |
| C: Receptacle with short PC tail (male and female #22D, #20, #16). | | | | | | | | | | | |
| S: Receptacle with specific PC tail (male et female #22D) | | | | | | | | | | | |
| W: Receptacle with male contacts #22D for wire wrap (3 wraps) | | | | | | | | | | | |
| T: Receptacle with male contacts #20 for wire wrap (2 wraps) | | | | | | | | | | | |
| P: Receptacle with solder cup (male and female size #22D; male #16 & #12; female #16 & #12 and male female #20 please consult us) | | | | | | | | | | | |
| Shell size: | | | | | | | | | | | |
| 09, 11, 13, 15, 17, 19, 21, 23, 25 | | | | | | | | | | | |
| Plating: | | | | | | | | | | | |
| TT: Without plating | | | | | | | | | | | |
| TF: Nickel | | | | | | | | | | | |
| Contact layout: | | | | | | | | | | | |
| See pages 11 to 14 | | | | | | | | | | | |
| Contact type: | | | | | | | | | | | |
| P: Pin | | | | | | | | | | | |
| A: Connector supplied less pin contact or with specific contacts (connector marking: A + orientation) | | | | | | | | | | | |
| S: Socket | | | | | | | | | | | |
| B: Connector supplied less socket contact or with specific contacts (connector marking: B + orientation) | | | | | | | | | | | |
| Orientation: | | | | | | | | | | | |
| N, A, B, C, D, E (see page 65) | | | | | | | | | | | |
| Specification: | | | | | | | | | | | |
| 046: Tinned straight PC tail | | | | | | | | | | | |
| 251: Connector provided with power contacts (layouts with contact #8) | | | | | | | | | | | |
| 022: Fuel tank | | | | | | | | | | | |
| Special custom | | | | | | | | | | | |
| None: Standard plastic cap | | | | | | | | | | | |
| M: Antistatic plastic cap | | | | | | | | | | | |
| L: For P or S contact type only, connectors delivered without contacts, connectors marking P or S plus orientation. | | | | | | | | | | | |

8D - Titanium Series



Dimensions

| Receptacle type 0 | | | | | | | | | | |
|-------------------|------------|-------|-------|------------|------------|-------------|-------|-------|-------------|-------------|
| | Shell size | A Max | B Max | C Max | D Thread | E ± 0.3 | F | G | H ± 0.2 | J ± 0.2 |
| | 09 (A) | 20.2 | 11.4 | 2.5 | M12 x 1-6g | 23.8 | 18.26 | 15.09 | 3.25 | 5.49 |
| 11 (B) | M15 x 1-6g | | | | 26.2 | 20.62 | 18.26 | 4.93 | | |
| 13 (C) | M18 x 1-6g | | | | 28.6 | 23.01 | 20.62 | 4.4 | | |
| 15 (D) | M22 x 1-6g | | | | 31 | 24.61 | 23.01 | 4.93 | | |
| 17 (E) | M25 x 1-6g | | | | 33.3 | 26.97 | 24.61 | | | |
| 19 (F) | M28 x 1-6g | | | | 36.5 | 29.36 | 26.97 | | | |
| 21 (G) | 19.8 | 11.8 | 3.2 | M31 x 1-6g | 39.7 | 31.75 | 29.36 | 3.91 | 6.15 | |
| 23 (H) | | | | M34 x 1-6g | 42.9 | 34.93 | 31.75 | | | |
| 25 (J) | | 11.4 | | M37 x 1-6g | 46 | 38.1 | 34.93 | | | |

| Receptacle type 7 | | | | | | | | |
|-------------------|------------|--------------|-------|-------|-------|-------|-------------|------------|
| | Shell size | A ± 0.15 | B Max | C Max | D Max | E Max | F ± 0.4 | G Thread |
| | 09 (A) | 16.57 | 9.9 | 3.2 | 30.5 | 23 | 27 | M12 x 1-6g |
| 11 (B) | 19.12 | 35.2 | | | 26 | 31.8 | M15 x 1-6g | |
| 13 (C) | 23.87 | 38.4 | | | 31 | 34.9 | M18 x 1-6g | |
| 15 (D) | 27.02 | 41.6 | | | 34 | 38.1 | M22 x 1-6g | |
| 17 (E) | 30.2 | 44.8 | | | 37 | 41.3 | M25 x 1-6g | |
| 19 (F) | 33.37 | 49.5 | | | 41 | 46 | M28 x 1-6g | |
| 21 (G) | 36.55 | 52.7 | | | 46 | 49.2 | M31 x 1-6g | |
| 23 (H) | 39.72 | 55.9 | | | 47 | 52.4 | M34 x 1-6g | |
| 25 (J) | 42.90 | 59 | | | 51.23 | 55.6 | M37 x 1-6g | |

Recommended coupling torque on panel for jam nut receptacle (type 7)

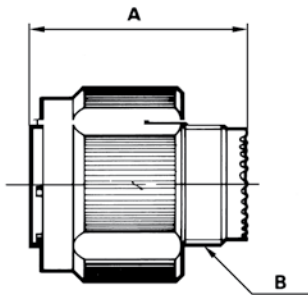
| Shell | 09 (A) | 11 (B) | 13 (C) | 15 (D) | 17 (E) | 19 (F) | 21 (G) | 23 (H) | 25 (J) |
|----------------------------------|--------|--------|--------|--------|--------|--------|--------|--------|--------|
| Coupling torque (± 0.5 N.m) | 4 | 5 | 7 | 8 | 9 | 10 | 12 | 13 | 14 |

Note: All dimensions are in millimeters (mm)

8D - Titanium Series



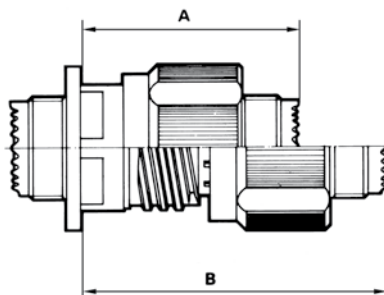
Plug type 5



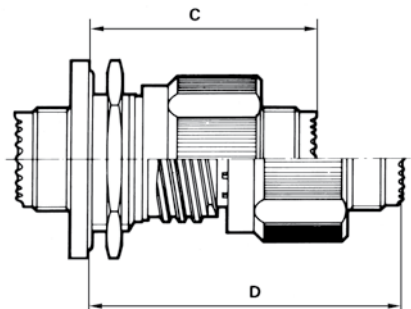
| Shell size | A Max. | B thread | C Max. |
|------------|--------|------------|--------|
| 09 | 31.00 | M12 x 1-6g | 21.80 |
| 11 | 31.00 | M15 x 1-6g | 25.00 |
| 13 | 31.00 | M18 x 1-6g | 29.40 |
| 15 | 31.00 | M22 x 1-6g | 32.50 |
| 17 | 31.00 | M25 x 1-6g | 35.70 |
| 19 | 31.00 | M28 x 1-6g | 38.50 |
| 21 | 31.00 | M31 x 1-6g | 41.70 |
| 23 | 31.00 | M34 x 1-6g | 44.90 |
| 25 | 31.00 | M37 x 1-6g | 48.00 |

Mated connectors dimensions

Type 0 with plug



Type 7 with plug



| Shell size | A Max. | B Max. | C Max. | D Max. |
|------------|--------|--------|--------|--------|
| 09 | 37.00 | 52.30 | 38.30 | 53.60 |
| 11 | 37.00 | 52.30 | 38.30 | 53.60 |
| 13 | 37.00 | 52.30 | 38.50 | 53.80 |
| 15 | 37.00 | 52.30 | 38.50 | 53.80 |
| 17 | 37.00 | 52.30 | 38.50 | 53.80 |
| 19 | 37.00 | 52.30 | 38.50 | 53.80 |
| 21 | 36.00 | 51.30 | 38.50 | 53.80 |
| 23 | 36.00 | 51.30 | 38.50 | 53.80 |
| 25 | 36.00 | 51.30 | 38.50 | 53.80 |

Note: All dimensions are in millimeters (mm)

8D - Titanium Series



Receptacle with straight PC tail contacts



| | | Shell size | | | 09 (A) | 11 (B) | 13 (C) | 15 (C) | 17 (E) | 19 (F) | 21 (G) | 23 (H) | 25 (J) |
|----|-----|--------------|--------------|--------------|--------|--------|--------|--------|--------|--------|--------|--------|--------|
| | | Contact size | Contact type | PC tail type | | | | | | | | | |
| A | | #22D | M & F | L & C | | | | | 0.70 | | | | |
| | | #22D | M & F | S | | | | | 0.50 | | | | |
| | | #20 | M & F | C | | | | | 0.70 | | | | |
| | | #16 | M & F | C | | | | | 1.15 | | | | |
| L1 | Min | #22D | M | L & C | 10.52 | | | | | 10.34 | | | |
| | Max | #22D | M | L & C | 11.46 | | | | | 11.28 | | | |
| | Min | #22D | F | L & C | 10.19 | | | | | 10.01 | | | |
| | Max | #22D | F | L & C | 11.46 | | | | | 11.28 | | | |
| | Min | #22D | M | S | 10.19 | | | | | 10.01 | | | |
| | Max | #22D | M | S | 11.46 | | | | | 11.28 | | | |
| | Min | #22D | F | S | 10.69 | | | | | 10.51 | | | |
| | Max | #22D | F | S | 11.63 | | | | | 11.45 | | | |
| | Min | #20 | M | C | 10.36 | | | | | 10.18 | | | |
| | Max | #20 | M | C | 11.63 | | | | | 11.45 | | | |
| | Min | #20 | F | C | 10.69 | | | | | 10.51 | | | |
| | Max | #20 | F | C | 11.63 | | | | | 11.45 | | | |
| | Min | #16 | M | C | 10.69 | | | | | 10.51 | | | |
| | Max | #16 | M | C | 11.63 | | | | | 11.45 | | | |
| | Min | #16 | F | C | 10.69 | | | | | 10.51 | | | |
| | Max | #16 | F | C | 11.63 | | | | | 11.45 | | | |
| L2 | | #22D | M & F | L | | | | | 8.50 | | | | |
| | | #22D | M & F | C | | | | | 4.00 | | | | |
| | | #22D | M & F | S | | | | | 5.10 | | | | |
| | | #20 | M & F | C | | | | | 5.10 | | | | |
| | | #16 | M & F | C | | | | | 5.10 | | | | |
| L3 | Min | #22D | M | L & C | | | 9.48 | | | | | 9.59 | |
| | Max | #22D | M | L & C | | | 10.58 | | | | | 10.69 | |
| | Min | #22D | F | L & C | | | 9.15 | | | | | 9.26 | |
| | Max | #22D | F | L & C | | | 10.58 | | | | | 10.69 | |
| | Min | #22D | M | S | | | 9.65 | | | | | 9.76 | |
| | Max | #22D | M | S | | | 10.75 | | | | | 10.86 | |
| | Min | #22D | F | S | | | 9.15 | | | | | 9.26 | |
| | Max | #22D | F | S | | | 10.75 | | | | | 10.86 | |
| | Min | #20 | M | C | | | 9.65 | | | | | 9.76 | |
| | Max | #20 | M | C | | | 10.75 | | | | | 10.86 | |
| | Min | #20 | F | C | | | 9.65 | | | | | 9.76 | |
| | Max | #20 | F | C | | | 10.75 | | | | | 10.86 | |
| | Min | #16 | M | C | | | 9.65 | | | | | 9.76 | |
| | Max | #16 | M | C | | | 10.75 | | | | | 10.86 | |
| | Min | #16 | F | C | | | 9.65 | | | | | 9.76 | |
| | Max | #16 | F | C | | | 10.75 | | | | | 10.86 | |

M: Male contact F: Female contact L: Long PC tail C: Short PC tail S: Specific PC tail *Dimensions in millimeters*

8D - Titanium Series



Connectors weight

| | With contacts | | | | | | Without contact | | | | | |
|-------|---------------|--------|---------------------|--------|---------------------|--------|-----------------|--------|---------------------|--------|---------------------|--------|
| | Plug (type 5) | | Receptacle (type 0) | | Receptacle (type 7) | | Plug (type 5) | | Receptacle (type 0) | | Receptacle (type 7) | |
| | Male | Female | Male | Female | Male | Female | Male | Female | Male | Female | Male | Female |
| 09-35 | 18.23 | 19.81 | 14.37 | 15.95 | 20.14 | 21.72 | 17.81 | 18.31 | 13.95 | 14.45 | 19.72 | 20.22 |
| 09-98 | 18.23 | 19.53 | 14.37 | 15.67 | 20.14 | 21.44 | 17.81 | 18.33 | 13.95 | 14.47 | 19.72 | 20.24 |
| 11-01 | 23.15 | 26.09 | 18.19 | 21.13 | 25.63 | 28.57 | 22.49 | 24.49 | 17.53 | 19.53 | 24.97 | 26.97 |
| 11-02 | 22.78 | 25.32 | 17.82 | 20.36 | 28.1 | 30.64 | 22.16 | 23.76 | 17.2 | 18.8 | 27.48 | 29.08 |
| 11-04 | 22.97 | 26.03 | 18.01 | 21.07 | 25.45 | 28.51 | 22.41 | 24.43 | 17.45 | 19.47 | 24.89 | 26.91 |
| 11-05 | 23.00 | 26.21 | 18.04 | 21.25 | 25.24 | 28.69 | 22.30 | 24.21 | 17.34 | 19.25 | 24.78 | 26.69 |
| 11-22 | 22.64 | 25.06 | 17.68 | 20.10 | 27.96 | 30.38 | 22.36 | 24.06 | 17.40 | 19.10 | 27.68 | 29.38 |
| 11-35 | 22.90 | 26.37 | 17.94 | 21.41 | 25.14 | 28.85 | 21.99 | 23.12 | 17.03 | 18.16 | 24.47 | 25.60 |
| 11-80 | 25.38 | 29.86 | 20.08 | 24.88 | 30.66 | 35.78 | 22.10 | 22.86 | 16.80 | 17.88 | 27.38 | 28.78 |
| 11-98 | 22.87 | 25.63 | 17.91 | 20.67 | 25.35 | 28.11 | 22.03 | 23.23 | 17.07 | 18.27 | 24.51 | 25.71 |
| 11-99 | 23.04 | 26.26 | 18.06 | 21.28 | 25.53 | 28.75 | 22.06 | 23.46 | 17.08 | 18.48 | 24.55 | 25.95 |
| 13-04 | 32.44 | 36.22 | 23.56 | 27.34 | 34.11 | 37.89 | 31.20 | 33.10 | 22.32 | 24.22 | 32.87 | 34.77 |
| 13-08 | 32.82 | 38.00 | 23.94 | 29.12 | 34.49 | 39.67 | 31.70 | 34.80 | 22.82 | 25.92 | 33.37 | 36.47 |
| 13-26 | 33.19 | 38.84 | 24.31 | 29.96 | 34.86 | 40.51 | 31.45 | 34.14 | 22.57 | 25.26 | 33.12 | 35.81 |
| 13-35 | 32.62 | 38.39 | 23.74 | 29.51 | 34.29 | 40.06 | 31.08 | 32.89 | 22.20 | 24.01 | 32.75 | 34.56 |
| 13-98 | 32.48 | 37.10 | 23.60 | 28.22 | 34.15 | 38.77 | 31.08 | 33.10 | 22.20 | 24.22 | 32.75 | 34.77 |
| 15-05 | 39.61 | 44.95 | 28.77 | 34.11 | 41.40 | 46.74 | 38.06 | 41.05 | 27.22 | 30.21 | 39.85 | 42.84 |
| 15-15 | 40.41 | 47.57 | 29.57 | 36.73 | 42.20 | 49.36 | 38.14 | 41.19 | 27.30 | 30.35 | 39.93 | 42.98 |
| 15-18 | 40.62 | 49.50 | 29.78 | 38.66 | 42.41 | 51.29 | 38.10 | 42.30 | 27.26 | 31.46 | 39.89 | 44.09 |
| 15-19 | 40.15 | 47.88 | 29.31 | 37.04 | 41.94 | 49.67 | 37.49 | 40.28 | 26.65 | 29.44 | 39.28 | 42.07 |
| 15-35 | 40.25 | 49.49 | 29.41 | 38.65 | 42.04 | 51.28 | 37.66 | 40.24 | 26.82 | 29.40 | 39.45 | 42.03 |
| 15-97 | 40.08 | 47.13 | 29.24 | 36.29 | 41.87 | 48.92 | 37.72 | 40.81 | 26.88 | 29.97 | 39.51 | 42.60 |
| 17-02 | 48.16 | 58.40 | 45.20 | 55.44 | 63.99 | 74.23 | 44.89 | 51.85 | 41.93 | 48.89 | 60.72 | 67.68 |
| 17-06 | 43.73 | 53.33 | 40.90 | 50.50 | 54.23 | 63.83 | 39.77 | 43.73 | 36.94 | 40.90 | 50.27 | 54.23 |
| 17-08 | 42.72 | 51.45 | 39.89 | 48.62 | 53.22 | 61.95 | 40.24 | 45.21 | 37.41 | 42.38 | 50.74 | 55.71 |
| 17-26 | 43.30 | 54.09 | 40.47 | 51.26 | 53.80 | 64.59 | 39.66 | 43.69 | 36.83 | 40.86 | 50.16 | 54.19 |
| 17-35 | 43.54 | 57.09 | 40.71 | 54.26 | 54.04 | 67.59 | 39.69 | 43.34 | 36.86 | 40.51 | 50.19 | 53.84 |
| 17-75 | 49.14 | 60.43 | 46.31 | 57.60 | 59.64 | 70.93 | 40.14 | 46.43 | 37.31 | 43.60 | 50.64 | 56.93 |
| 17-99 | 43.35 | 53.91 | 40.52 | 51.08 | 53.85 | 64.41 | 39.79 | 43.95 | 36.96 | 41.12 | 50.29 | 54.45 |
| 19-11 | 55.16 | 68.75 | 44.00 | 57.59 | 61.25 | 74.84 | 51.75 | 60.17 | 40.59 | 66.26 | 40.59 | 66.26 |
| 19-32 | 54.37 | 67.77 | 43.21 | 56.61 | 60.46 | 73.86 | 49.89 | 54.97 | 38.73 | 61.06 | 38.73 | 61.06 |
| 19-35 | 54.68 | 71.13 | 43.52 | 59.97 | 60.77 | 77.22 | 50.06 | 54.63 | 38.90 | 60.72 | 38.90 | 60.72 |
| 21-11 | 64.64 | 84.48 | 54.31 | 74.15 | 71.62 | 91.46 | 57.38 | 66.88 | 47.05 | 73.86 | 47.05 | 73.86 |
| 21-16 | 61.74 | 77.02 | 51.41 | 66.69 | 68.72 | 84.00 | 56.78 | 64.54 | 46.45 | 71.52 | 46.45 | 71.52 |
| 21-35 | 62.02 | 82.68 | 51.69 | 72.35 | 69.00 | 89.66 | 56.49 | 62.93 | 46.16 | 69.91 | 46.16 | 69.91 |
| 21-39 | 63.40 | 83.73 | 53.07 | 73.40 | 70.38 | 90.71 | 57.60 | 67.37 | 47.27 | 74.35 | 47.27 | 74.35 |
| 21-41 | 61.94 | 79.31 | 51.61 | 86.29 | 68.92 | 86.29 | 56.20 | 62.91 | 45.87 | 69.89 | 45.87 | 69.89 |
| 21-48 | 68.73 | 88.71 | 58.4 | 78.38 | 81.56 | 101.54 | 55.61 | 62.51 | 45.28 | 52.18 | 68.44 | 75.34 |
| 21-75 | 73.61 | 90.51 | 63.28 | 80.18 | 86.44 | 103.34 | 55.61 | 62.51 | 45.28 | 52.18 | 68.44 | 75.34 |
| 23-21 | 71.07 | 94.32 | 60.57 | 83.82 | 79.15 | 102.40 | 64.56 | 77.94 | 54.06 | 86.02 | 54.06 | 86.02 |
| 23-35 | 69.43 | 95.58 | 58.93 | 85.08 | 77.51 | 103.66 | 62.43 | 70.58 | 51.93 | 78.66 | 51.93 | 78.66 |
| 23-53 | 69.49 | 91.68 | 58.99 | 81.18 | 77.57 | 99.76 | 62.07 | 70.48 | 51.57 | 78.56 | 51.57 | 78.56 |
| 23-55 | 70.24 | 93.31 | 59.74 | 82.81 | 78.32 | 101.39 | 62.54 | 71.31 | 52.04 | 79.39 | 52.04 | 79.39 |
| 25-07 | 83.91 | 117.09 | 73.64 | 123.58 | 99.34 | 121.8 | 68.12 | 78.84 | 57.85 | 85.33 | 83.55 | 83.55 |
| 25-11 | 91.92 | 111.92 | 81.65 | 101.65 | 94.65 | 127.35 | 71.12 | 84.12 | 60.85 | 73.85 | 86.55 | 99.55 |
| 25-19 | 81.78 | 113.79 | 71.51 | 103.52 | 90.20 | 122.21 | 69.24 | 83.39 | 58.97 | 91.81 | 58.97 | 91.81 |
| 25-24 | 81.28 | 112.64 | 71.01 | 102.37 | 89.70 | 121.06 | 69.64 | 84.08 | 59.37 | 92.50 | 59.37 | 92.50 |
| 25-29 | 79.60 | 108.57 | 69.33 | 98.30 | 88.02 | 116.99 | 70.61 | 85.95 | 60.34 | 94.37 | 60.34 | 94.37 |
| 25-35 | 77.39 | 110.22 | 67.12 | 99.95 | 85.81 | 118.64 | 68.43 | 78.22 | 58.16 | 86.64 | 58.16 | 86.64 |
| 25-37 | 79.59 | 107.09 | 69.32 | 116.12 | 95.02 | 113.36 | 68.12 | 79.04 | 57.85 | 87.26 | 83.55 | 84.50 |
| 25-44 | 99.96 | 127.50 | 89.69 | 134.23 | 115.39 | 134.44 | 66.42 | 77.85 | 56.15 | 86.33 | 81.85 | 84.54 |
| 25-43 | 79.64 | 110.32 | 69.37 | 100.05 | 88.06 | 118.74 | 70.22 | 85.52 | 59.95 | 93.94 | 59.95 | 93.94 |
| 25-46 | 81.94 | 105.78 | 71.67 | 95.51 | 90.36 | 114.20 | 67.30 | 77.46 | 57.03 | 85.88 | 57.03 | 85.88 |
| 25-61 | 76.69 | 103.44 | 66.42 | 93.17 | 85.11 | 111.86 | 68.15 | 79.04 | 57.88 | 87.46 | 57.88 | 87.46 |
| 25-08 | 103.02 | 134.85 | 92.75 | 124.58 | 111.44 | 143.27 | 67.02 | 78.85 | 56.75 | 87.27 | 56.75 | 87.27 |
| 25-20 | 88.04 | 118.26 | 77.77 | 107.99 | 96.46 | 126.68 | 66.47 | 76.72 | 56.20 | 85.14 | 56.20 | 85.14 |
| 25-04 | 80.44 | 110.29 | 70.17 | 100.02 | 88.86 | 118.71 | 71.24 | 84.85 | 60.97 | 93.27 | 60.97 | 93.27 |

Weight in gram (+/- 15%)

* Please, consult us for weight of receptacles type 77.

38999 Bronze Series



CECC approved

CECC 75.201.00

38999 Bronze Series



Connector part numbers

| | | | | | | | | |
|--|-----|----|---|----|----|---|---|---|
| Basic Series | JVS | 16 | A | 11 | 35 | P | N | - |
| Shell style: | | | | | | | | |
| 00: Square flange receptacle | | | | | | | | |
| 07: Jam nut receptacle | | | | | | | | |
| 16: Plug with RFI shielding | | | | | | | | |
| Material: | | | | | | | | |
| A: Bronze housing material | | | | | | | | |
| Shell size: | | | | | | | | |
| 09, 11, 13, 15, 17, 19, 21, 23, 25 | | | | | | | | |
| Contact layout: | | | | | | | | |
| See pages 11 to 14 | | | | | | | | |
| Contact type: | | | | | | | | |
| P: Pin | | | | | | | | |
| A: Connector supplied less pin contact or with specific contacts (connector marking: A + orientation) | | | | | | | | |
| S: Socket | | | | | | | | |
| B: Connector supplied less socket contact or with specific contacts (connector marking: B + orientation) | | | | | | | | |
| Orientation: | | | | | | | | |
| N, A, B, C, D, E (see page 65) | | | | | | | | |
| Specification: | | | | | | | | |
| 251: Connector provides with power contacts (layouts with contacts #8) | | | | | | | | |
| CI: Printed board mounting contacts | | | | | | | | |
| LI: Receptacle with long PC tail (pin or socket #22D) | | | | | | | | |
| L: For P or S contact type only, connectors delivered without contacts, connectors marking P or S plus orientation | | | | | | | | |

CECC part numbers

| | | | | | | | | | | | |
|--|-----------|---|---|----|---|---|---|---|---|---|---|
| Basic Series | C 752 002 | B | B | 98 | P | C | N | A | 0 | 1 | G |
| Shell style: | | | | | | | | | | | |
| A: Plug | | | | | | | | | | | |
| B: Square flange receptacle | | | | | | | | | | | |
| C: Jam nut receptacle | | | | | | | | | | | |
| Shell size: | | | | | | | | | | | |
| 09=A, 11=B, 13=C, 15=D, 17=E, 19=F, 21=G, 23=H, 25=J | | | | | | | | | | | |
| Contact layout: | | | | | | | | | | | |
| See pages 11 to 14 | | | | | | | | | | | |
| Contact type: | | | | | | | | | | | |
| P: Pin | | | | | | | | | | | |
| S: Socket | | | | | | | | | | | |
| Type of contact termination: | | | | | | | | | | | |
| C: Crimp contact | | | | | | | | | | | |
| Orientation: | | | | | | | | | | | |
| N, A, B, C, D, E (see page 65) | | | | | | | | | | | |
| Shell material: | | | | | | | | | | | |
| A: Aluminum bronze | | | | | | | | | | | |
| Supply code: | | | | | | | | | | | |
| 0: Connectors supplied with contacts | | | | | | | | | | | |
| 1: Connectors supplied without contacts | | | | | | | | | | | |
| Assessment level: | | | | | | | | | | | |
| 1: Level 1 | | | | | | | | | | | |
| Performance level: | | | | | | | | | | | |
| G: Level G | | | | | | | | | | | |

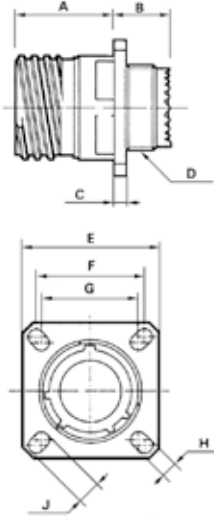
Note: C 752 002 refers to the abbreviated form of the CECC 75 201-002 type designation.

38999 Bronze Series



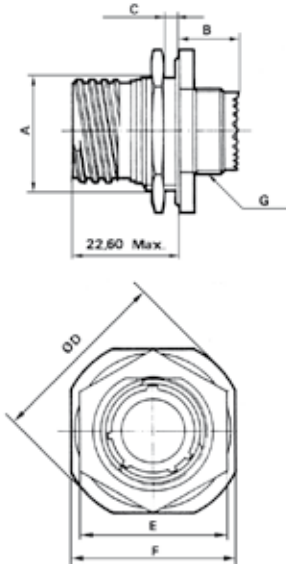
Dimensions

Receptacle type 00 (JVS) or type B (CECC)



| Shell size | A Max | B Max | C Max | D Thread | E ^{±0.3} | F | G | H ^{±0.2} | J ^{±0.2} |
|------------|-------|-------|-------|------------|-------------------|-------|-------|-------------------|-------------------|
| 09 (A) | 20.2 | 11.4 | 2.5 | M12 x 1-6g | 23.8 | 18.26 | 15.09 | 3.25 | 5.49 |
| 11 (B) | | | | M15 x 1-6g | 26.2 | 20.62 | 18.26 | | 4.93 |
| 13 (C) | | | | M18 x 1-6g | 28.6 | 23.01 | 20.62 | | 4.4 |
| 15 (D) | | | | M22 x 1-6g | 31 | 24.61 | 23.01 | | 4.93 |
| 17 (E) | | | | M25 x 1-6g | 33.3 | 26.97 | 24.61 | | 4.93 |
| 19 (F) | | | | M28 x 1-6g | 36.5 | 29.36 | 26.97 | | 4.93 |
| 21 (G) | 19.8 | 11.8 | 3.2 | M31 x 1-6g | 39.7 | 31.75 | 29.36 | 3.91 | 6.15 |
| 23 (H) | | 11.4 | | M34 x 1-6g | 42.9 | 34.93 | 31.75 | | |
| 25 (J) | | | | M37 x 1-6g | 46 | 38.1 | 34.93 | | |

Receptacle type 07 (JVS) or type C (CECC)



| Shell size | A ^{±0.15} | B Max | C Max | D Max | E Max | F ^{±0.4} | G Thread |
|------------|--------------------|-------|-------|-------|-------|-------------------|------------|
| 09 (A) | 16.57 | 9.9 | 3.2 | 30.5 | 23 | 27 | M12 x 1-6g |
| 11 (B) | 19.12 | | | 35.2 | 26 | 31.8 | M15 x 1-6g |
| 13 (C) | 23.87 | | | 38.4 | 31 | 34.9 | M18 x 1-6g |
| 15 (D) | 27.02 | | | 41.6 | 34 | 38.1 | M22 x 1-6g |
| 17 (E) | 30.2 | | | 44.8 | 37 | 41.3 | M25 x 1-6g |
| 19 (F) | 33.37 | | | 49.5 | 41 | 46 | M28 x 1-6g |
| 21 (G) | 36.55 | | | 52.7 | 46 | 49.2 | M31 x 1-6g |
| 23 (H) | 39.72 | | | 55.9 | 47 | 52.4 | M34 x 1-6g |
| 25 (J) | 42.90 | | | 59 | 51.23 | 55.6 | M37 x 1-6g |

Recommended coupling torque on panel for jam nut receptacle (type 7)

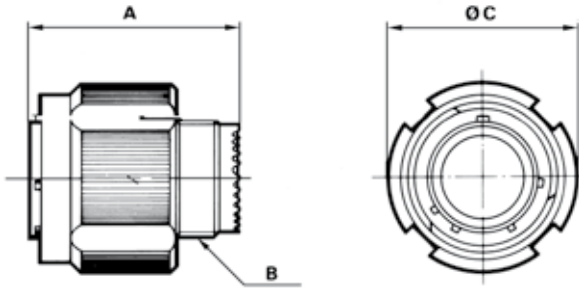
| Shell | 09 (A) | 11 (B) | 13 (C) | 15 (D) | 17 (E) | 19 (F) | 21 (G) | 23 (H) | 25 (J) |
|----------------------------|--------|--------|--------|--------|--------|--------|--------|--------|--------|
| Coupling torque (±0.5 N.m) | 4 | 5 | 7 | 8 | 9 | 10 | 12 | 13 | 14 |

Note: All dimensions are in millimeters (mm)

38999 Bronze Series



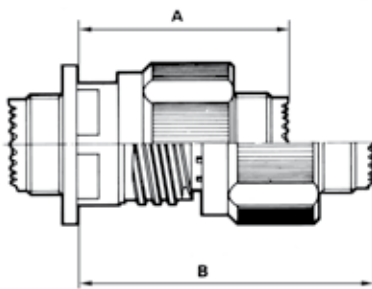
Plug type 16 (JVS) or type A (CECC)



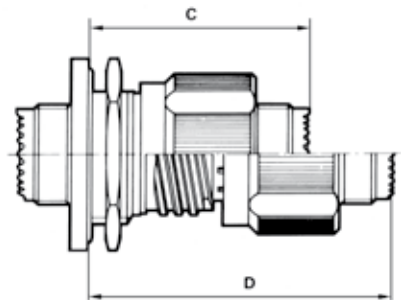
| Shell size | A Max. | B thread | C Max. |
|------------|--------|------------|--------|
| 09 (A) | 31.00 | M12 x 1-6g | 21.10 |
| 11 (B) | 31.00 | M15 x 1-6g | 23.80 |
| 13 (C) | 31.00 | M18 x 1-6g | 28.20 |
| 15 (D) | 31.00 | M22 x 1-6g | 31.40 |
| 17 (E) | 31.00 | M25 x 1-6g | 36.50 |
| 19 (F) | 31.00 | M28 x 1-6g | 39.30 |
| 21 (G) | 31.00 | M31 x 1-6g | 42.50 |
| 23 (H) | 31.00 | M34 x 1-6g | 45.30 |
| 25 (J) | 31.00 | M37 x 1-6g | 48.40 |

Mated connectors dimensions

Type 00 with plug



Type 7 with plug



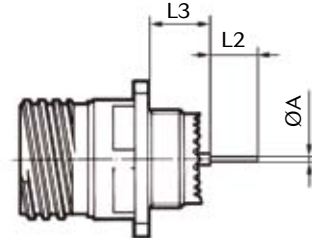
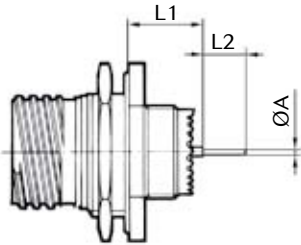
| Shell size | A Max. | B Max. | C Max. | D Max. |
|------------|--------|--------|--------|--------|
| 09 (A) | 37.00 | 52.30 | 38.30 | 53.60 |
| 11 (B) | 37.00 | 52.30 | 38.30 | 53.60 |
| 13 (C) | 37.00 | 52.30 | 38.30 | 53.60 |
| 15 (D) | 37.00 | 52.30 | 38.30 | 53.60 |
| 17 (E) | 37.00 | 52.30 | 38.30 | 53.60 |
| 19 (F) | 37.00 | 52.30 | 38.30 | 53.60 |
| 21 (G) | 36.00 | 51.30 | 38.30 | 53.60 |
| 23 (H) | 36.00 | 51.30 | 38.30 | 53.60 |
| 25 (J) | 36.00 | 51.30 | 38.30 | 53.60 |

Note: All dimensions are in millimeters (mm)

38999 Bronze Series



Receptacle with straight PC tail contacts (CI & TI specification)



| | Shell size | | | 09 (A) | 11 (B) | 13 (C) | 15 (C) | 17 (E) | 19 (F) | 21 (G) | 23 (H) | 25 (J) |
|----|--------------|--------------|--------------|--------|--------|--------|--------|--------|--------|--------|--------|--------|
| | Contact size | Contact type | PC tail type | | | | | | | | | |
| A | #22D | M & F | L | | | | | 0.70 | | | | |
| | #22D | M & F | C | | | | | 0.50 | | | | |
| | #20 | M & F | C | | | | | 0.70 | | | | |
| | #16 | M & F | C | | | | | 1.15 | | | | |
| L1 | Min | #22D | M | L | 10.52 | | | | 10.34 | | | |
| | Max | #22D | M | L | 11.46 | | | | 11.28 | | | |
| | Min | #22D | F | L | 10.19 | | | | 10.01 | | | |
| | Max | #22D | F | L | 11.46 | | | | 11.28 | | | |
| | Min | #22D | M | C | 10.19 | | | | 10.01 | | | |
| | Max | #22D | M | C | 11.46 | | | | 11.28 | | | |
| | Min | #22D | F | C | 10.69 | | | | 10.51 | | | |
| | Max | #22D | F | C | 11.63 | | | | 11.45 | | | |
| | Min | #20 | M | C | 10.36 | | | | 10.18 | | | |
| | Max | #20 | M | C | 11.63 | | | | 11.45 | | | |
| | Min | #20 | F | C | 10.69 | | | | 10.51 | | | |
| | Max | #20 | F | C | 11.63 | | | | 11.45 | | | |
| | Min | #16 | M | C | 10.69 | | | | 10.51 | | | |
| | Max | #16 | M | C | 11.63 | | | | 11.45 | | | |
| | Min | #16 | F | C | 10.69 | | | | 10.51 | | | |
| | Max | #16 | F | C | 11.63 | | | | 11.45 | | | |
| L2 | #22D | M & F | L | | | | | 8.50 | | | | |
| | #22D | M & F | C | | | | | 5.10 | | | | |
| | #20 | M & F | C | | | | | 5.10 | | | | |
| | #16 | M & F | C | | | | | 5.10 | | | | |
| L3 | Min | #22D | M | L | | 9.48 | | | | | 9.59 | |
| | Max | #22D | M | L | | 10.58 | | | | | 10.69 | |
| | Min | #22D | F | L | | 9.15 | | | | | 9.26 | |
| | Max | #22D | F | L | | 10.58 | | | | | 10.69 | |
| | Min | #22D | M | C | | 9.65 | | | | | 9.76 | |
| | Max | #22D | M | C | | 10.75 | | | | | 10.86 | |
| | Min | #22D | F | C | | 9.15 | | | | | 9.26 | |
| | Max | #22D | F | C | | 10.75 | | | | | 10.86 | |
| | Min | #20 | M | C | | 9.65 | | | | | 9.76 | |
| | Max | #20 | M | C | | 10.75 | | | | | 10.86 | |
| | Min | #20 | F | C | | 9.65 | | | | | 9.76 | |
| | Max | #20 | F | C | | 10.75 | | | | | 10.86 | |
| | Min | #16 | M | C | | 9.65 | | | | | 9.76 | |
| | Max | #16 | M | C | | 10.75 | | | | | 10.86 | |
| | Min | #16 | F | C | | 9.65 | | | | | 9.76 | |
| | Max | #16 | F | C | | 10.75 | | | | | 10.86 | |

M: Male contact

F: Female contact

L: Long PC tail

C: Short PC tail

Dimensions in millimeters

38999 Bronze Series



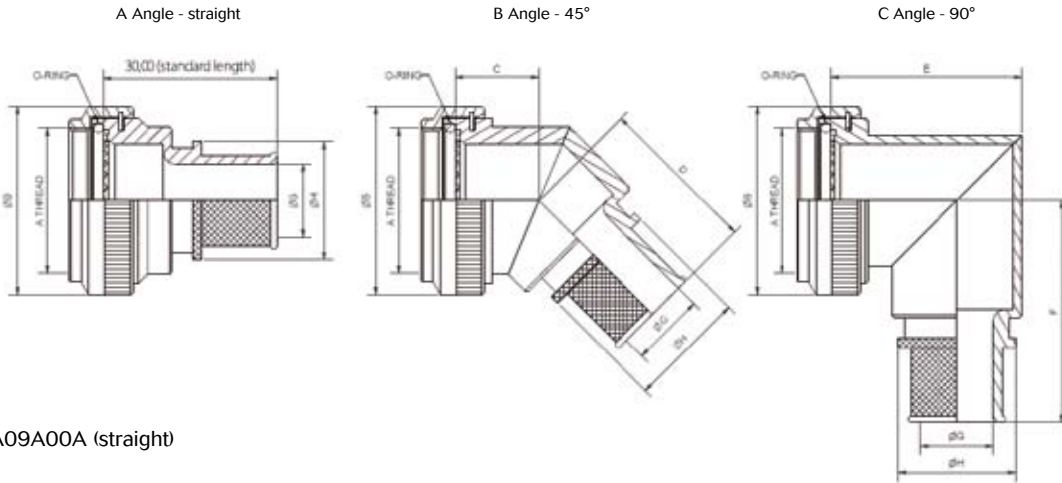
Backshell part numbers

| Basic Series | JVS | A | 11 | A | 00 | C | SB |
|--|-----|---|----|---|----|---|----|
| Accessory style | | | | | | | |
| A : Rear accessory (backshell) | | | | | | | |
| Shell size: | | | | | | | |
| 09, 11, 13, 15, 17, 19, 21, 23, 25 | | | | | | | |
| Accessory type: | | | | | | | |
| A: Screened adaptor for use with compression spring or band strap | | | | | | | |
| B: Adaptor with strain relief cable clamp | | | | | | | |
| E: Screened adaptor with braid trap | | | | | | | |
| G: Environmental cone clamp screened adaptor | | | | | | | |
| P: Adaptor for heat shrink boot | | | | | | | |
| X: Cone clamp screened adaptor | | | | | | | |
| Cable entry size: | | | | | | | |
| For B type: | | | | | | | |
| 00: Standard, by default choice | | | | | | | |
| For other types: | | | | | | | |
| 00: Standard, by default choice | | | | | | | |
| 03 to 32: Depending on backshell type, please refer to corresponding table | | | | | | | |
| Angle: | | | | | | | |
| A: Straight backshell (orientation by default) | | | | | | | |
| B: 45° backshell (except for «B Type» accessory) | | | | | | | |
| C: 90° right angle backshell | | | | | | | |
| Variant: | | | | | | | |
| For all types: | | | | | | | |
| None: Supplied without any other accessory | | | | | | | |
| For E, X and G type: | | | | | | | |
| CC: Cable clamp variant | | | | | | | |

38999 Bronze Series



A Type - Screened adaptor for use with compression spring or band strap



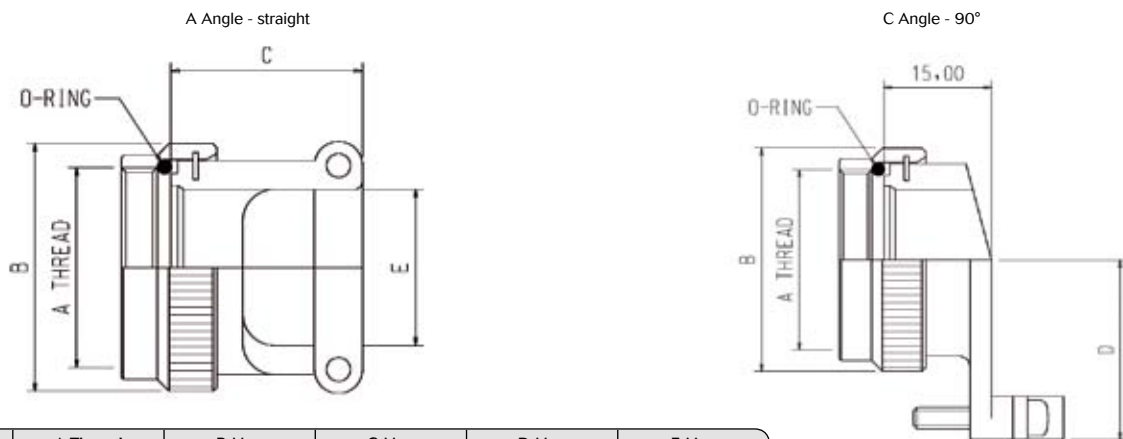
Example: JVSA09A00A (straight)

| Shell Size | A Thread | B Max | C Max | D Max | E Max | F Max | Max Entry* |
|------------|-----------|-------|-------|-------|-------|-------|------------|
| 09 | M12 x 1.0 | 18.0 | 13.1 | 24.7 | 25.5 | 30.5 | 04 |
| 11 | M15 x 1.0 | 21.0 | 13.9 | 25.9 | 26.5 | 32.2 | 06 |
| 13 | M18 x 1.0 | 24.5 | 14.5 | 26.3 | 31.0 | 33.7 | 08 |
| 15 | M22 x 1.0 | 29.0 | 15.5 | 27.2 | 37.0 | 35.2 | 10 |
| 17 | M25 x 1.0 | 32.5 | 16.1 | 28.0 | 40.0 | 36.9 | 12 |
| 19 | M28 x 1.0 | 35.5 | 16.8 | 28.3 | 44.5 | 38.5 | 13 |
| 21 | M31 x 1.0 | 37.0 | 17.1 | 29.1 | 49.0 | 40.1 | 16 |
| 23 | M34 x 1.0 | 40.0 | 17.7 | 29.5 | 51.5 | 41.6 | 18 |
| 25 | M37 x 1.0 | 43.5 | 18.4 | 30.4 | 53.0 | 43.1 | 20 |

| Entry Size | G | H Max | Entry Size | G | H Max |
|------------|-------|-------|------------|-------|-------|
| 03 | 4.77 | 13.9 | 12 | 19.05 | 26.7 |
| 04 | 6.35 | 13.9 | 13 | 20.62 | 28.3 |
| 05 | 7.92 | 15.5 | 14 | 22.23 | 29.9 |
| 06 | 9.52 | 17.2 | 15 | 23.82 | 31.5 |
| 07 | 11.10 | 18.7 | 16 | 25.40 | 33.1 |
| 08 | 12.70 | 20.3 | 17 | 27.00 | 34.7 |
| 09 | 14.27 | 21.9 | 18 | 28.60 | 36.3 |
| 10 | 15.88 | 23.5 | 19 | 30.20 | 37.9 |
| 11 | 17.47 | 25.1 | 20 | 31.80 | 39.5 |

* Recommendation only, please consult us for outside entry size

B Type - Adaptor with strain relief cable clamp



| Shell Size | A Thread | B Max | C Max | D Max | E Max |
|------------|-----------|-------|-------|-------|-------|
| 09 | M12 x 1.0 | 18.0 | 21.5 | 20.0 | 7.0 |
| 11 | M15 x 1.0 | 21.0 | 21.5 | 21.0 | 10.5 |
| 13 | M18 x 1.0 | 24.5 | 23.5 | 22.0 | 13.4 |
| 15 | M22 x 1.0 | 29 | 23.5 | 23.0 | 16.5 |
| 17 | M25 x 1.0 | 32.5 | 24.5 | 25.0 | 19.7 |
| 19 | M28 x 1.0 | 35.5 | 27.5 | 27.5 | 22.2 |
| 21 | M31 x 1.0 | 37.0 | 34.5 | 30.0 | 25.6 |
| 23 | M34 x 1.0 | 40.0 | 37.5 | 31.5 | 28.5 |
| 25 | M37 x 1.0 | 43.5 | 37.5 | 34.5 | 31.7 |

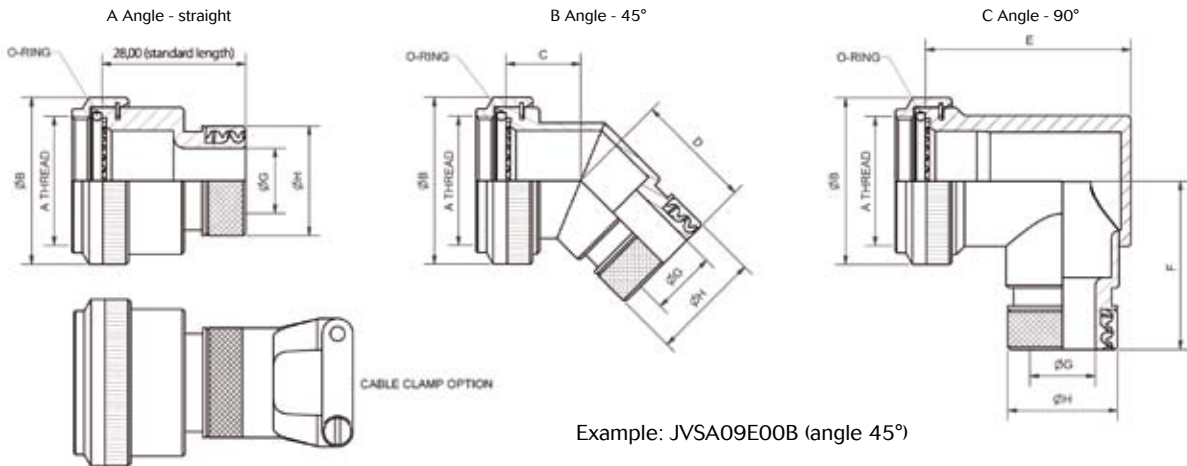
Example: JVSA09B00A (straight)

Note: All dimensions are in millimeters (mm)

38999 Bronze Series



E Type - Screened adaptor with braid trap

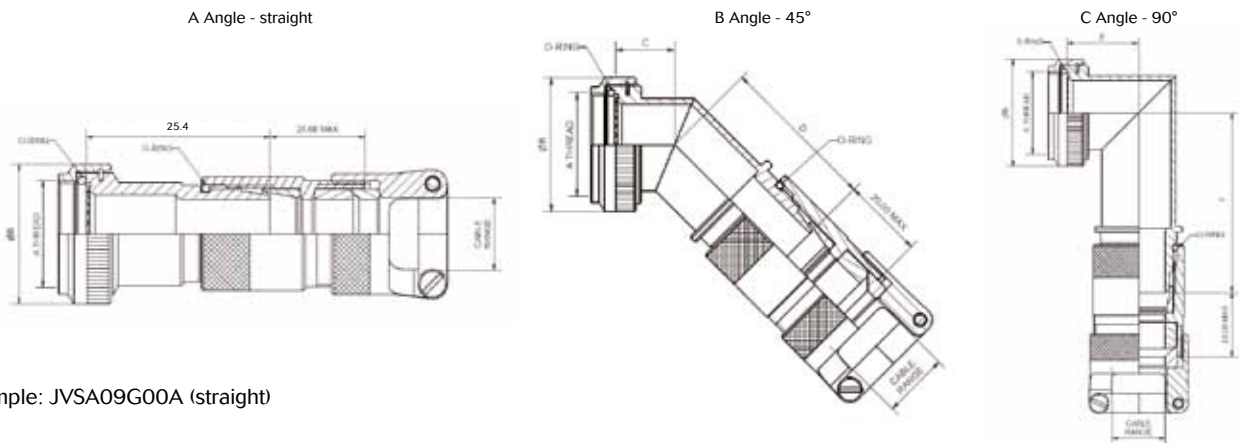


Example: JVSA09E00B (angle 45°)

| Shell Size | A Thread | B Max | C Max | D Max | E Max | F Max | Max Entry |
|------------|-----------|-------|-------|-------|-------|-------|-----------|
| 09 | M12 x 1.0 | 18.0 | 13.1 | 23.6 | 25.7 | 30.5 | 04 |
| 11 | M15 x 1.0 | 21.0 | 13.9 | 24.4 | 26.7 | 32.2 | 06 |
| 13 | M18 x 1.0 | 24.5 | 14.5 | 24.8 | 31.2 | 33.7 | 08 |
| 15 | M22 x 1.0 | 29.0 | 15.5 | 25.6 | 37.2 | 35.2 | 10 |
| 17 | M25 x 1.0 | 32.5 | 16.1 | 26.4 | 40.2 | 36.9 | 12 |
| 19 | M28 x 1.0 | 35.5 | 16.8 | 26.8 | 44.7 | 38.5 | 13 |
| 21 | M31 x 1.0 | 37.0 | 17.1 | 27.6 | 49.2 | 40.1 | 16 |
| 23 | M34 x 1.0 | 40.0 | 17.7 | 28.0 | 51.7 | 41.6 | 18 |
| 25 | M37 x 1.0 | 43.5 | 18.4 | 29.0 | 53.2 | 43.1 | 20 |

| Entry Size | G | H Max | Entry Size | G | H Max |
|------------|-------|-------|------------|-------|-------|
| 03 | 4.77 | 15.0 | 12 | 19.05 | 27.7 |
| 04 | 6.35 | 15.0 | 13 | 20.62 | 29.3 |
| 05 | 7.92 | 16.6 | 14 | 22.23 | 30.9 |
| 06 | 9.52 | 18.2 | 15 | 23.82 | 32.5 |
| 07 | 11.10 | 19.8 | 16 | 25.40 | 34.1 |
| 08 | 12.70 | 21.4 | 17 | 27.00 | 35.7 |
| 09 | 14.27 | 23.0 | 18 | 28.60 | 37.3 |
| 10 | 15.88 | 24.6 | 19 | 30.20 | 39.1 |
| 11 | 17.47 | 26.2 | 20 | 31.80 | 40.4 |

G Type - Environmental cone clamp screened adaptor



Example: JVSA09G00A (straight)

| Shell Size | A Thread | B Max | C Max | D Max | E Max | F Max | Max Entry |
|------------|-----------|-------|-------|-------|-------|-------|-----------|
| 09 | M12 x 1.0 | 18.0 | 13.1 | 30.5 | 15.8 | 39.2 | - |
| 11 | M15 x 1.0 | 21.0 | 13.9 | 30.5 | 17.6 | 42.3 | 04 |
| 13 | M18 x 1.0 | 24.5 | 14.5 | 32.5 | 19.0 | 42.8 | 06 |
| 15 | M22 x 1.0 | 29.0 | 15.5 | 40.3 | 21.5 | 50.5 | 10 |
| 17 | M25 x 1.0 | 32.5 | 16.1 | 43.1 | 23.1 | 52.8 | 12 |
| 19 | M28 x 1.0 | 35.5 | 16.8 | 47.9 | 24.5 | 57.1 | 12 |
| 21 | M31 x 1.0 | 37.0 | 17.1 | 47.9 | 25.3 | 57.1 | 16 |
| 23 | M34 x 1.0 | 40.0 | 17.7 | 56.5 | 27.5 | 64.7 | 16 |
| 25 | M37 x 1.0 | 43.5 | 18.4 | 56.5 | 28.3 | 64.7 | 16 |

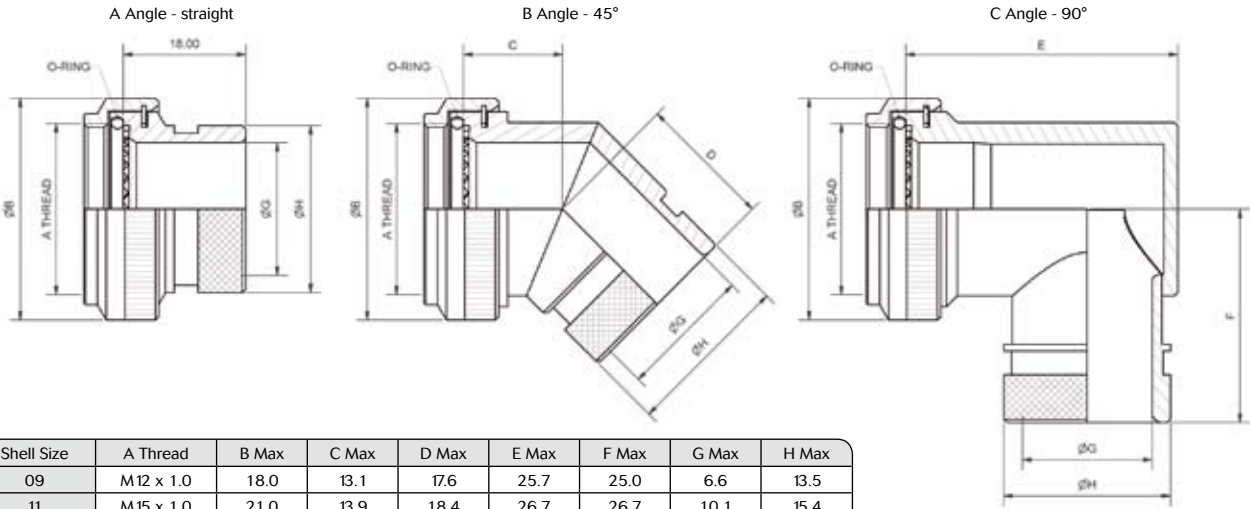
| Entry Size | Cable Range |
|------------|-------------|
| 04 | 3.2 - 7.9 |
| 06 | 6.4 - 11.1 |
| 08 | 9.8 - 14.3 |
| 10 | 8.9 - 15.9 |
| 12 | 12.7 - 19.1 |
| 16 | 15.9 - 23.8 |

Note: All dimensions are in millimeters (mm)

38999 Bronze Series



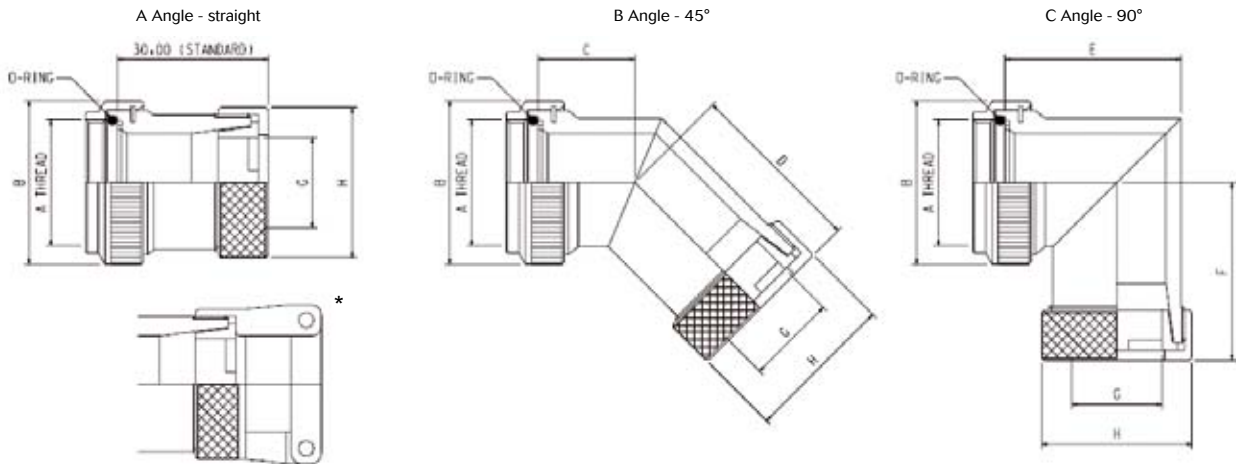
P Type - Adaptor for heat shrink boot



| Shell Size | A Thread | B Max | C Max | D Max | E Max | F Max | G Max | H Max |
|------------|-----------|-------|-------|-------|-------|-------|-------|-------|
| 09 | M12 x 1.0 | 18.0 | 13.1 | 17.6 | 25.7 | 25.0 | 6.6 | 13.5 |
| 11 | M15 x 1.0 | 21.0 | 13.9 | 18.4 | 26.7 | 26.7 | 10.1 | 15.4 |
| 13 | M18 x 1.0 | 24.5 | 14.5 | 19.3 | 31.2 | 28.2 | 13.4 | 19.7 |
| 15 | M22 x 1.0 | 29 | 15.5 | 19.6 | 37.2 | 29.7 | 16.1 | 21.3 |
| 17 | M25 x 1.0 | 32.5 | 16.1 | 20.4 | 40.2 | 31.4 | 19.3 | 24.5 |
| 19 | M28 x 1.0 | 35.5 | 16.8 | 20.8 | 44.7 | 33.0 | 21.7 | 26.5 |
| 21 | M31 x 1.0 | 37.0 | 17.1 | 21.6 | 49.2 | 34.6 | 25 | 31.0 |
| 23 | M34 x 1.0 | 40.0 | 17.7 | 22.5 | 51.7 | 36.1 | 28.1 | 34.4 |
| 25 | M37 x 1.0 | 43.5 | 18.4 | 22.9 | 53.2 | 37.6 | 31.3 | 36.6 |

Example: JVSA09P00C (angle 90°)

X Type - Cone clamp screened adaptor



| Shell Size | A Thread | B Max | C Max | D Max | E Max | F Max | G | H Max |
|------------|-----------|-------|-------|-------|-------|-------|------|-------|
| 09 | M12 x 1.0 | 18.0 | 13.1 | 24.6 | 22.7 | 26.5 | 6.8 | 16.0 |
| 11 | M15 x 1.0 | 21.0 | 13.9 | 25.4 | 26.2 | 28.2 | 9.5 | 19.0 |
| 13 | M18 x 1.0 | 24.5 | 14.5 | 26.3 | 29.2 | 29.7 | 12.8 | 22.0 |
| 15 | M22 x 1.0 | 27.5 | 15.5 | 26.7 | 32.2 | 31.2 | 14.8 | 25.4 |
| 17 | M25 x 1.0 | 31.0 | 16.1 | 27.5 | 35.7 | 32.9 | 17.9 | 28.5 |
| 19 | M28 x 1.0 | 34.0 | 16.8 | 27.8 | 39.7 | 34.5 | 20.0 | 32.0 |
| 21 | M31 x 1.0 | 37.0 | 17.1 | 28.6 | 42.2 | 36.1 | 23.0 | 35.0 |
| 23 | M34 x 1.0 | 40.0 | 17.7 | 29.5 | 45.2 | 37.6 | 26.4 | 38.0 |
| 25 | M37 x 1.0 | 43.5 | 18.4 | 29.9 | 48.2 | 39.1 | 29.3 | 41.0 |

Example: JVSA09X00B (angle 45°)

* Stainless steel clamp

Note: All dimensions are in millimeters (mm)

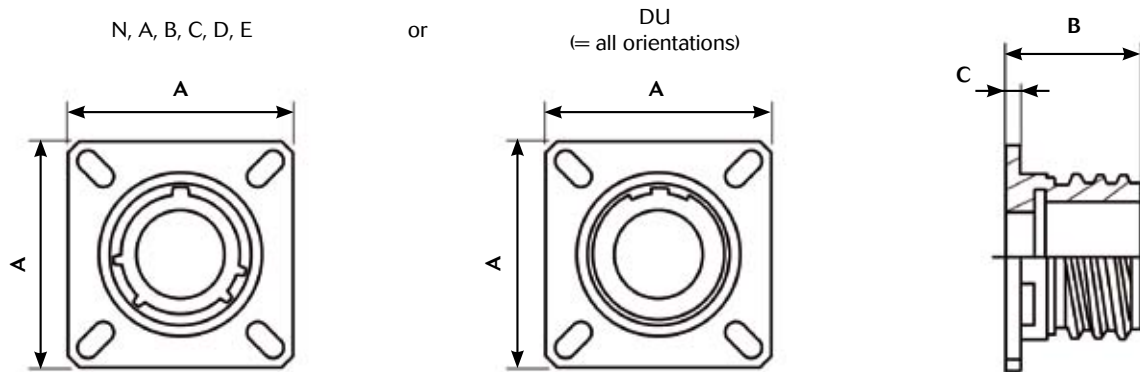
38999 Bronze Series



Dummy receptacle

Orientations & dimensions

Orientations:

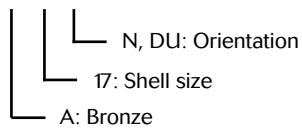


| Shell size | 9 | 11 | 13 | 15 | 17 | 19 | 21 | 23 | 25 |
|-----------------------------------|------|------|------|------|------|------|------|------|------|
| A ^{+0.3} _{-0.3} | 23.8 | 26.2 | 28.6 | 31 | 33.3 | 36.5 | 39.7 | 42.9 | 46 |
| B maxi | 24.2 | 24.2 | 24.2 | 24.2 | 24.2 | 24.2 | 24.1 | 24.1 | 24.1 |
| C maxi | 2.5 | 2.5 | 2.5 | 2.5 | 2.5 | 2.5 | 3.2 | 3.2 | 3.2 |

Examples of Part Number:

. JVS BN 02 A 17 N

. JVS BN 02 A 17 DU



Equivalent to CECC blind hole. For information only: CECC75201002AxA00A (x = shell size A, B, C, D, ...)
 CECC75201002EA00A (blind hole) = JVSBN02A17DU (through hole)
 (no correspondance CECC with N, A, B, C, D, E orientations)

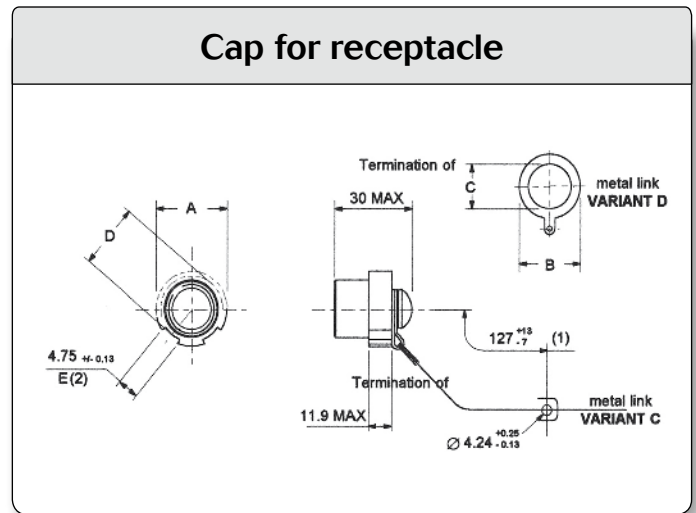
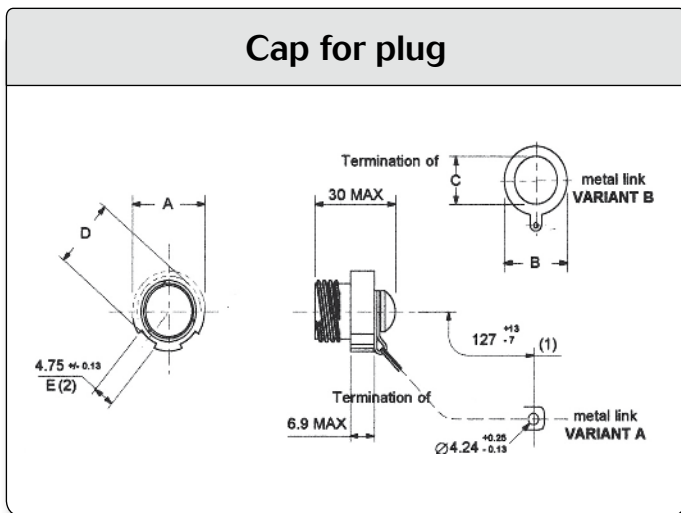
Note: All dimensions are in millimeters (mm)

38999 Bronze Series



Caps

| | | | | | | |
|--|-----|---|----|---|----|---|
| Basic Series | JVS | B | 09 | B | 00 | A |
| Accessory style: B: Protective cap | | | | | | |
| Shell size: 09, 11, 13, 15, 17, 19, 21, 23, 25 | | | | | | |
| Variant: A or B: Cap for plug (see drawing below) C or D: Cap for receptacle (see drawing below) | | | | | | |
| Sub variant: Not applicable | | | | | | |
| Material: A: Bronze | | | | | | |



- (1) Flexible metal link
- (2) Number of notch on A diameter

| Shell size | A Max. | Variant B | | Variant D | | D Max. | E |
|------------|--------|-----------|--------|-----------|--------|--------|----|
| | | B Max. | C Min. | B Max. | C Min. | | |
| 09 | 21.1 | 24.20 | 13.50 | 26.80 | 18.40 | 19.20 | 8 |
| 11 | 23.8 | 26.80 | 18.40 | 31.60 | 23.00 | 21.80 | |
| 13 | 28.2 | 30.50 | 19.80 | 36.90 | 26.20 | 26.10 | 10 |
| 15 | 31.4 | 31.60 | 23.00 | 40.10 | 29.40 | 29.30 | |
| 17 | 36.5 | 36.90 | 26.20 | 43.20 | 32.50 | 34.40 | 12 |
| 19 | 39.3 | 40.10 | 29.40 | 46.40 | 35.70 | 37.20 | |
| 21 | 42.5 | 43.20 | 32.50 | 49.20 | 39.10 | 40.50 | 16 |
| 23 | 45.3 | 46.40 | 35.70 | 52.80 | 42.10 | 43.10 | |
| 25 | 48.4 | 49.20 | 39.10 | 55.50 | 45.30 | 46.10 | 18 |

Equivalent to CECC, for information CECC75201002Bxy00A (x = shell size, y = variant)
 Example: CECC75201002BAC00A = JVS B09C00A

Note: All dimensions are in millimeters (mm)



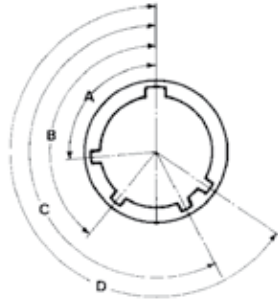
Contents

| | |
|---|----|
| • Orientations | 65 |
| • Panel cut-out | 65 |
| • Crimp contacts | 66 |
| • Straight PC tail contacts | 68 |
| • Coaxial contacts # 12 | 69 |
| • Solder cup | 69 |
| • Crimp contacts: 1500 mating | 69 |
| • Wire wrap contacts | 69 |
| • Quadrax #8 contacts | 69 |
| • Thermocouple contacts | 70 |
| • Dummy contacts | 70 |
| • Filler plugs | 70 |
| • Insertion and extraction tools | 71 |
| • Crimping tools | 71 |
| • Wiring instructions | |
| Cable preparation and wire stripping | 72 |
| Insertion of wire in contact barrel | 72 |
| Insertion of the contacts | 72 |
| Extraction of the contacts | 73 |
| Backshell tightening and slackening tools | 73 |
| Tightening support | 73 |
| • Gaskets | 74 |
| • Plastic protective caps | 74 |

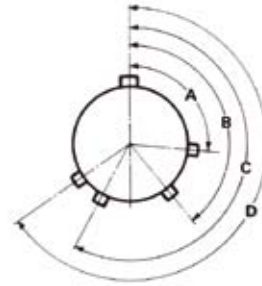
Common Section



Orientations



Viewed from front face of receptacle

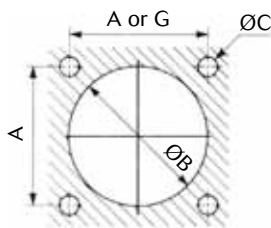


Viewed from front face of plug

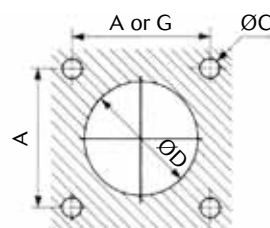
| Shell size | Angles | N | A | B | C | D | E |
|--|--------|-----|-----|-----|-----|-----|-----|
| 9 (A) | A° | 105 | 102 | 80 | 35 | 64 | 91 |
| | B° | 140 | 132 | 118 | 140 | 155 | 131 |
| | C° | 215 | 248 | 230 | 205 | 234 | 197 |
| | D° | 265 | 320 | 312 | 275 | 304 | 240 |
| 11 (B), 13 (C) & 15 (D) | A° | 95 | 113 | 90 | 53 | 119 | 51 |
| | B° | 141 | 156 | 145 | 156 | 146 | 141 |
| | C° | 208 | 182 | 195 | 220 | 176 | 184 |
| | D° | 236 | 292 | 252 | 255 | 298 | 242 |
| 17 (E), 19 (F), 21 (G), 23 (H), & 25 (J) | A° | 80 | 135 | 49 | 66 | 62 | 79 |
| | B° | 142 | 170 | 169 | 140 | 145 | 153 |
| | C° | 196 | 200 | 200 | 200 | 180 | 197 |
| | D° | 293 | 310 | 244 | 257 | 280 | 272 |

Panel cut-out

Square flange receptacle (Type 0)

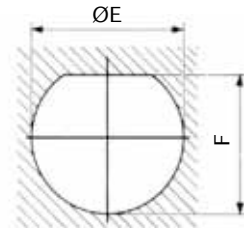


Rear mounting



Front mounting

Jam nut receptacle (Type 7)



| Shell size | A | G | B min. | C ±0.13 | D min. | E ±0.25 | F |
|------------|-------|-------|--------|---------|--------|---------|-------|
| 9 (A) | 18.26 | 15.09 | 16.66 | 3.25 | 13.11 | 17.78 | 17.02 |
| 11 (B) | 20.62 | 18.26 | 20.22 | | 15.88 | 20.96 | 19.59 |
| 13 (C) | 23.01 | 20.62 | 23.42 | | 19.05 | 25.65 | 24.26 |
| 15 (D) | 24.61 | 23.01 | 26.59 | | 23.01 | 28.83 | 27.56 |
| 17 (E) | 26.97 | 24.61 | 30.96 | | 25.81 | 32.01 | 30.73 |
| 19 (F) | 29.36 | 26.97 | 32.94 | | 28.98 | 35.18 | 33.91 |
| 21 (G) | 31.75 | 29.36 | 36.12 | | 32.16 | 38.35 | 37.08 |
| 23 (H) | 34.93 | 31.75 | 39.29 | 3.91 | 34.93 | 41.53 | 40.26 |
| 25 (J) | 38.10 | 34.94 | 42.47 | | 37.69 | 44.70 | 43.43 |











Max. thickness panel for receptacle: Type 0: front mounting = 3.2 mm, rear mounting = 2.5 mm
Type 7: 3.2 mm

Note: All dimensions are in millimeters (mm)

Common Section



Crimp contacts

| Contact size | Contact type | Souriau Part number (without color code) | MIL-DTL-38999 contacts | | |
|--------------------------------------|--------------|---|------------------------|---|--------------|
| | | | Part number | Profile and color code | |
| #22D | Pin | 8599-0702 JJ | M39029/58 360 |  Black / Blue / Orange | |
| | Socket | 8599-0706 900 | M39029/56 348 |  Grey / Yellow / Orange | |
| #20 | Pin | 8599-0703 SA | M39029/58 363 |  Orange / Blue / Orange | |
| | Socket | 8599-0707 900 | M39029/56 351 |  Brown / Green / Orange | |
| #16 | Pin | 8599-0704 MJ | M39029/58 364 |  Yellow / Blue / Orange | |
| | Socket | 8599-0708 900 | M39029/56 352 |  Red / Green / Orange | |
| #16 Coaxial | Pin | - | M39029/76 424 |  Yellow / Red / Yellow | |
| | Socket | - | M39029/77 428 |  Grey / Red / Yellow | |
| #12 | Pin | 8599-0705 MJ | M39029/58 365 |  Green / Blue / Orange | |
| | Socket | 8599-0709 900 | M39029/56 353 |  Orange / Green / Orange | |
| #12 Coaxial | Pin | - | M39029/102 558 | | |
| | Socket | - | M39029/103 559 | | |
| | Pin | - | M39029/28 211 | | |
| | Socket | - | M39029/75 416 | | |
| #10 Power | Pin | - | M39029/58 528 | | |
| | Socket | - | M39029/56 527 | | |
| #8 Power | Pin | 8599-7544 * | - | | |
| | Socket | 8599-7541 * | - | | |
| | Pin | 8599-7580 | - | | |
| | Socket | 8599-7581 | - | | |
| | Boot | | 8599-4542 | - | For wire #8 |
| | | | 8599-4547 | - | For wire #10 |
| Reductor | 8599-7645 | - | | | |
| #8 Coaxial | Pin | - | M39029/60 367 | | |
| | Socket | - | M39029/59 366 | | |
| | Boot | 8590-4571 | - | | |
| #8 Triaxial | Pin | - | M39029/90 529 | | |
| | Socket | - | M39029/91 530 | | |
| | Boot | 8590-4571 | - | | |
| #4 Power | Pin | 8599-7598 900 ** | - | For wire 25 mm ² | |
| | Socket | 8599-7599 900 ** | - | | |
| | Pin | 8599-7534 | - | For wire 21.15 mm ² | |
| | Socket | 8599-7535 | - | | |
| | Boot | for cable 16 mm ² | 8599-4594 | - | |
| | | for cable 10 mm ² | 8599-4593 | - | |
| Reductor cable 10 mm ² | 8400-2351A | - | | | |
| #4 Power with reduced barrel | Pin | 8599-7528 900 | - | Mating part #4 / Barrel #6 | |
| | Socket | 8599-7529 900 | - | | |
| | Boot | 8599-4593 | - | | |

* JVS only. ** Not included in connector Part number. Must be ordered separately.

Common Section



Crimp contacts

| Contact size | Contact type | Contact Ø | Conductor section | | | | External Ø over insulator | |
|------------------------------|-----------------------------------|-----------|---|-----|-----------------|-------|---------------------------|------|
| | | | AWG | | mm ² | | Min | Max |
| | | | Min | Max | Min | Max | Min | Max |
| #22D | Pin | 0.76 | 28 | 22 | 0.095 | 0.34 | 0.76 | 1.37 |
| | Socket | | | | | | | |
| #20 | Pin | 1.00 | 24 | 20 | 0.21 | 0.60 | 1.02 | 2.11 |
| | Socket | | | | | | | |
| #16 | Pin | 1.60 | 20 | 16 | 0.60 | 1.34 | 1.65 | 2.77 |
| | Socket | | | | | | | |
| #16 Coaxial | Pin | 1.60 | RG 174 RG 179 RG 316 | | | | 1.65 | 2.60 |
| | Socket | | | | | | | |
| #12 | Pin | 2.40 | 14 | 12 | 1.91 | 3.18 | 2.46 | 3.61 |
| | Socket | | | | | | | |
| #12 Coaxial | Pin | 2.40 | RG 174 RG 179 RG 316 | | | | 2.40 | 2.60 |
| | Socket | | | | | | | |
| | Pin | | | | | | | |
| | Socket | | | | | | | |
| #10 Power | Pin | 3.20 | Please consult us | | | | - | 2.95 |
| | Socket | | | | | | | |
| #8 Power | Pin | 3.64 | - | 8 | - | 8.98 | - | - |
| | Socket | | - | - | - | - | 4.50 | 6.50 |
| | Boot | | - | - | - | - | 2.50 | 4 |
| | Reductor | | - | - | - | - | - | - |
| | Reductor | | - | - | - | - | - | - |
| #8 Coaxial | Pin | 3.64 | RG 180 A/U | | | | - | 2.80 |
| | Socket | | | | | | | |
| | Boot | | | | | | | |
| #8 Triaxial | Pin | 5.50 | 0,76MIL-C17/176 00002 FILECA F.2703/14 RAYCHEM CHEMINAX 10612 FILOTEX M 17/176 00002 | | | | 3.15 | 3.40 |
| | Socket | | | | | | | |
| | Boot | | | | | | | |
| #4 Power | Pin | 5.74 | - | 3 | - | 25 | - | - |
| | Socket | | 5 | 4 | 16 | 21.15 | - | - |
| | Pin | | - | - | - | - | 6.35 | 7.50 |
| | Socket | | - | - | - | - | 4 | 5.80 |
| | Boot | | - | - | - | - | - | - |
| | Reductor | | - | - | - | - | - | - |
| | Reductor cable 10 mm ² | | - | - | - | - | - | - |
| #4 Power with reduced barrel | Pin | 5.74 | 6 | | 13.3 | | - | - |
| | Socket | | - | - | - | - | 4 | 5.80 |
| | Boot | | - | - | - | - | - | - |

Common Section



Straight PC tail contacts

| Contact size | Contact type | PC tail type | Part number | Profile |
|--------------|--------------|--------------|-----------------|---------|
| #22D | Pin | L | 8599-0720 900 | |
| | Pin | L | 8599-0750 900 | - |
| | Pin | M | 8599-8028 900 | - |
| | Pin | C | 8599-0730 900 | |
| | Pin | S | 8599-0796 900 | |
| | Socket | L | 8599-0721 900 | |
| | Socket | C | 8599-0731 900 | |
| | Socket | S | 8599-0797 900 | |
| #20 | Pin | M | 8599-0658 JJ | - |
| | Socket | M | 8599-0759 900 | - |
| | Pin | C | 8599-0724 900 | |
| | Socket | C | 8599-0725 900 | |
| | Pin | L | 8599-0771 900 | - |
| | Socket | L | 8599-0772 900 | - |
| #16 | Pin | C | 8599-0726 900 | - |
| | Pin | C | 8599-07482A 900 | |
| | Socket | C | 8599-0727 900 | |
| Coaxial #16 | Pin | C | 8599-1000 900 | |
| #12 | Pin | C | 8599-7929 900 | - |
| | Socket | C | 8599-7932 900 | - |
| | Socket | C | 8599-7485A 900 | - |

S: Specific PC tail L: Long PC tail M: Medium PC tail C: Short PC tail

Common Section



Coaxial contacts #12

| Designation | Part number |
|-------------------------------|-------------|
| Coaxial socket solder #12 | THA1-0151A |
| Coaxial pin solder #12 | THA1-0152A |
| Coaxial pin crimp contact #12 | THA1-0155A |
| Coaxial crimp contact #12 | THA1-0156A |

Solder cup

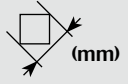


| Contact size | Contact type | Part number |
|--------------|--------------|----------------|
| #22D | Pin | 8599-0750 900 |
| #16 | Pin | 8599-7482A 900 |
| #12 | Socket | 8599-7485A 900 |

For other contacts type please consult us.

Crimp contacts: 1500 mating

| Contact size | MIL-DTL-38999 contacts | | |
|--------------|------------------------|----------------|-----------------------|
| | Contact type | Part number | Color code |
| #22D | Pin (H) | M39029/107 620 | Blue / Red / Black |
| | Socket (J) | M39029/106 614 | Blue / Brown / Yellow |
| #20 | Pin (H) | M39029/107 621 | Blue / Red / Brown |
| | Socket (J) | M39029/106 615 | Blue / Brown / Green |
| #16 | Pin (H) | M39029/107 622 | Blue / Red / Red |
| | Socket (J) | M39029/106 616 | Blue / Brown / Blue |
| #12 | Pin (H) | M39029/107 623 | Blue / Red / Orange |
| | Socket (J) | M39029/106 617 | Blue / Brown / Gray |

Wire wrap contacts

| Contact size | Contact type | Part number | Contact Ø (mm) | Profile |  (mm) |
|--------------|--------------|---------------|----------------|--|--|
| #22D | Pin | 8599-0790 JJ | 0.76 |  | 0.86 |
| #20 | Pin | 8599-0791 900 | 1 |  | 0.86 |









Quadrax #8 contacts

| Contact type | Version | Souriau Part Number | Cross Norm | T° | Impedance | Sealing | Release |
|--------------|-----------|---------------------|------------|-------|-----------|---------|---------|
| Pin | PCB mount | ETH1-1237A | - | 125°C | 100Ω | Sealed | Rear |
| | | ETH1-1501A | - | | 150Ω | | |
| | Crimp | ETH1-1345A | EN3155-074 | 200°C | 100Ω | | |
| | | ETH1-1503A | - | | 150Ω | | |
| Socket | PCB mount | ETH1-1238A | - | 125°C | 100Ω | | |
| | | ETH1-1502A | - | | 150Ω | | |
| | Crimp | ETH1-1346A | EN3155-075 | 200°C | 100Ω | | |
| | | ETH1-1504A | - | | 150Ω | | |

Common Section

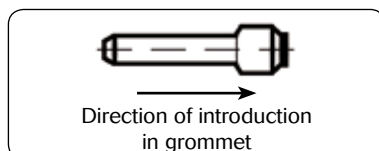


Thermocouple contacts

| Contact size | Contact type | Souriau part numbers (without color code) | MIL-DTL-38999 contacts | | Ø Contact (mm) | Wire section | | | | Ø Over insulation (mm) | | | | | | | | |
|--------------|--------------|---|------------------------|--|----------------|--------------|-----|-----------------|------|------------------------|------|---|----|----|------|-----|------|------|
| | | | Part numbers | Profile and color code | | Awg | | mm ² | | min | max | | | | | | | |
| | | | | | | min | max | min | max | | | | | | | | | |
| #22D Chromel | Pin | - | M39029/87-472 |  Red / Violet / Yellow | 0.75 | 28 | 22 | 0.095 | 0.34 | 0.76 | 1.37 | | | | | | | |
| | Socket | - | M39029/88-484 |  Yellow / Grey / Yellow | | | | | | | | | | | | | | |
| #22D Alumel | Pin | - | M39029/87-471 |  Brown / Violet / Yellow | | | | | | | | | | | | | | |
| | Socket | - | M39029/88-483 |  Orange / Grey / Yellow | | | | | | | | | | | | | | |
| #20 Chromel | Pin | 8599-0749 900 | 8599-0949 900 |  Blue / Violet / Yellow | | | | | | | | 1 | 24 | 20 | 0.21 | 0.6 | 1.02 | 2.11 |
| | Socket | 8599-0753 900 | 8599-0953 900 |  Grey / Grey / Yellow | | | | | | | | | | | | | | |
| #20 Alumel | Pin | 8599-0761 900 | 8599-0961 900 |  Green / Violet / Yellow | | | | | | | | | | | | | | |
| | Socket | 8599-0765 900 | 8599-0965 900 |  Violet / Grey / Yellow | | | | | | | | | | | | | | |

Dummy contacts

| Size | Part number |
|------|----------------|
| #16 | 8599-6A016001A |
| #8 | 8599-0308 |
| #4 | 8599-0310 |



Filler plugs

| Contact size | Filler plugs | | |
|--------------|-------------------------|--------|---------------------|
| | MS Part number (Rev. N) | Color | Souriau Part number |
| #22D | MS27488-22-2 | Black | 8660-212 |
| #20 | MS27488-20-2 | Red | 8522-389A |
| #16 | MS27488-16-2 | Blue | 8522-390A |
| #12 | MS27488-12-2 | Yellow | 8522-391A |
| #10 | - | - | - |
| #8 | - | - | - |
| #4 | - | - | - |

Common Section



Insertion & extraction tools

| Contact size | Material | Part number | | Color | |
|--------------|----------|--------------|-----------|-----------|------------|
| | | MIL standard | Souriau | Insertion | Extraction |
| #22D | Plastic | M81969/14-01 | - | Green | White |
| #20 | Plastic | M81969/14-10 | - | Red | Orange |
| #16 | Plastic | M81969/14-03 | - | Blue | White |
| #12 | Plastic | M81969/14-04 | - | Yellow | White |
| #10 | Plastic | M81969/14-05 | - | Grey | - |
| #8 | Plastic | M81969/14-12 | - | - | Red |
| | Metalic | - | 8660-197 | - | - |
| #4 | Plastic | M81969/14-07 | - | - | Blue |
| | Metalic | - | 8533-8175 | - | - |

Crimping tools

| Contact size | Contact type | Plier M22520/1-01 | | Plier M22520/2-01 (Souriau 8476-01) | | Plier M300BT | Plier * M22520/23-01 | |
|--------------|--------------|--------------------|---------|-------------------------------------|---------|---------------------|----------------------|---------------------|
| | | Turret Part number | | Locator Part number | | Locator Part number | Turret Part number | Locator Part number |
| | | Norm | Souriau | Norm | Souriau | | | |
| #22D | Pin | - | - | M22520/2-09 | 8476-09 | - | - | - |
| | Socket | - | - | M22520/2-07 | 8476-07 | - | - | - |
| #20 | Pin | M22520/1-04 | 8365-04 | M22520/2-10 | 8476-10 | - | - | - |
| | Socket | | | | | - | - | - |
| #16 | Pin | M22520/1-04 | 8365-04 | - | - | - | - | - |
| | Socket | | | - | - | - | - | |
| #12 | Pin | M22520/1-04 | 8365-04 | - | - | - | - | - |
| | Socket | | | - | - | - | - | |
| #8 Power | Pin | - | - | - | - | SP 593 | M22520/23-02 | 8599-9601 |
| | Socket | - | - | - | - | | | |
| #4 Power | pin | - | - | - | - | - | M22520/23-04 | M22520/23-11 |
| | Socket | - | - | - | - | - | | |

| Contact size | Contact type | Plier M22520/2-01 (Souriau 8476-01) | Plier M22520/31-01 | Plier M22520/4-01 | Plier M22520/5-01 |
|---|--------------|-------------------------------------|---------------------|---------------------|-----------------------|
| | | Locator Part Number | Locator Part number | Locator Part Number | Die set Part Number |
| #12 Coaxial M39029/102-558 M39029/103-559 | Inner | - | - | - | M22520/5-03 |
| | Outer | - | - | - | |
| #12 Coaxial M39029/28-211 M39029/75-416 | Inner | M22520/2-34 | - | - | - |
| | Outer | - | M22520/31-02 | - | - |
| #16 Coaxial | Inner | M22520/2-35 | - | - | - |
| | Outer | - | - | M22520/4-02 | - |
| #8 Coaxial | Inner | M22520/2-31 | - | - | - |
| | Outer | - | - | - | M22520/5-05 closure B |
| #8 Triaxial | Inner | K709 | - | - | - |
| | Middle | - | - | - | Y631 closure B |
| | Ferrule | - | - | - | Y631 closure A |

* Pneumatic plier

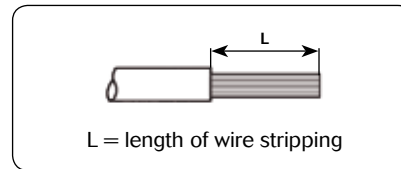
Note: for the #10 contact's plier and locator, please consult us.



Wiring instruction

Cable preparation and wire stripping

| Contact size | #22D | #20 | #16 | #12 | #8 | #4 |
|--------------|-------------|-------------|-------------|-------------|-------------|-------------|
| L min | 3.58 .14 | 5.31 .21 | 5.31 .21 | 5.31 .21 | 12.5 .49 | 12.5 .49 |
| L max | 3.99 .16 | 5.82 .23 | 5.82 .23 | 5.82 .23 | 13 .51 | 13 .51 |

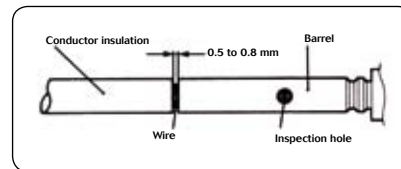


Insertion of wire in contact barrel

When inserting the stripped wire into the contact barrel check that no strands are left outside and that the wire is visible through the wire inspection hole in the barrel.

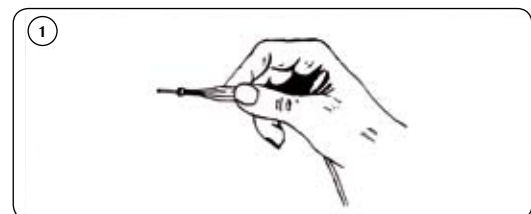
Important :

- Slide any accessories over wire strands before carrying out the following operations.
- Contacts are inserted and extracted from the rear of the connector.

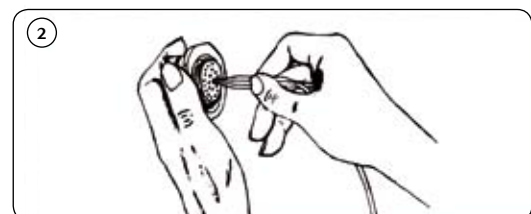


Insertion of the contacts

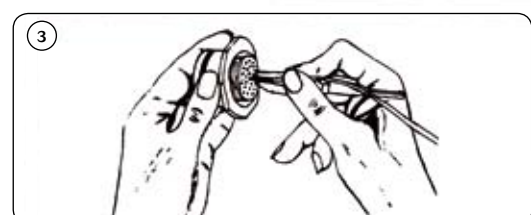
1 - Engage the crimp cable / contact assembly into the longitudinal slot of the plastic tool (coloured tip). Slide the tool down the cable until the tip of the tool abuts the contact retention shoulder.



2 - Introduce the contact into the required contact cavity in the insulator, pushing tool axially, until the contact snaps into position in clip.



3 - Withdraw the tool (from rear). Check that contact is firmly locked by pulling wire gently. When connector is fully loaded, check the position of contact tips. They should all be in the same plane.



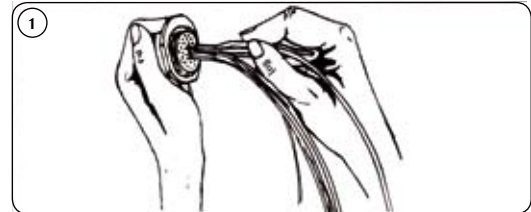
Nota : For larger sizes of cable which are stiff enough manual insertion without tool is preferable.



Wiring instruction

Extraction of the contacts

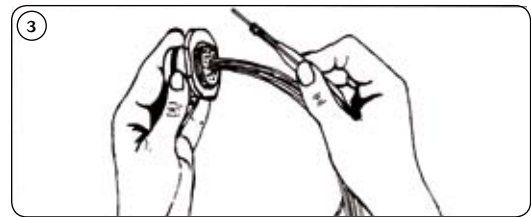
1 - Engage the appropriate cable into the longitudinal slot of the tool with the white tip towards connector.



2 - Slide the tool down towards the contact. Insert the tool in the insulator until it abuts the contact shoulder.



3 - Holding the tool-contact and cable assembly together, remove them simultaneously.



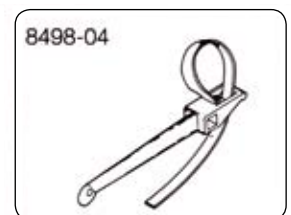
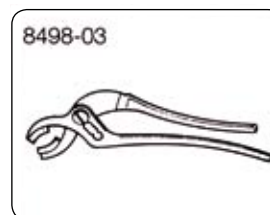
Backshell tightening and slackening tools

Backshell tightening pliers, part number : 8498-03

Square jaws, part number : 8500-1015 (order 2 jaws)

Strap clamp : 8498-04

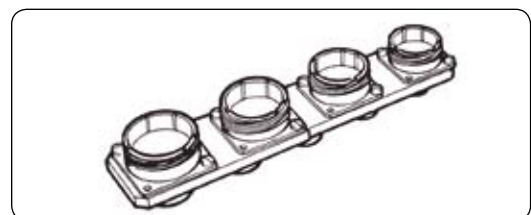
Spare strap : 8498-103



Tightening support

Part number: 8599-0831

This tool is made up of dummy receptable housings of all 9 sizes for all key polarisation, and locates free connectors during wiring and fitting of rear accessories.



Common Section



Gaskets

| Shell size | Gasket for receptacles Type 0* (ordered separately) | O ring for receptacle Type 7 |
|------------|--|------------------------------|
| 9 (A) | 8599-5541 | AS3582-019 |
| 11 (B) | 8599-5542 | AS3582-022 |
| 13 (C) | 8599-5543 | AS3582-024 |
| 15 (D) | 8599-5544 | AS3582-026 |
| 17 (E) | 8599-5545 | AS3582-028 |
| 19 (F) | 8599-5546 | AS3582-128 |
| 21 (G) | 8599-5547 | AS3582-130 |
| 23 (H) | 8599-5548 | AS3582-132 |
| 25 (J) | 8599-5549 | AS3582-134 |

*For front mounting

Plastic protective caps*

| Shell size | Caps for receptacles | Caps for plugs | Caps for composite plugs only (J & M) | Antistatic caps for receptacles | Antistatic caps for plugs |
|------------|----------------------|----------------|---------------------------------------|---------------------------------|---------------------------|
| 9 (A) | 70777 | 8500-5587 A | MS90376-12R | 70777N | 8500-5587N |
| 11 (B) | MS90376-12R | 70198 | 8500-5598 | MS9037612RF | 8500-5588N |
| 13 (C) | MS90376-14R | 8500-5600 | 8500-5600 | MS9037614RF | 8500-5600N |
| 15 (D) | MS90376-16R | 8500-5601 | 8500-5601 | MS9037616RF | 8500-5601N |
| 17 (E) | 70201 | 8500-5602 | 8500-5602 | 70201N | 8500-5602N |
| 19 (F) | 70209 | 8500-5592 A | 8500-5592 A | 8500-5590N | 8500-5592N |
| 21 (G) | MS90376-22R | 8500-5593 A | 8500-5593 A | 8500-5591N | 8500-5593N |
| 23 (H) | MS90376-24R | 8500-5593 A | 70472 | 8500-5592N | 8500-5591N |
| 25 (J) | 8500-5593 A | J599ABC6009A00 | J599ABC6009A00 | 8500-5593N | 8500-5592N |

*Excepted 8D composite version (X): supplied without cap

8D - Reinforced Sealing Series



Reinforced Sealing Series

Derived from MIL-DTL-38999 Series III

8D - Reinforced Sealing Series



Description

- Reinforced sealing receptacle with male or female straight PC tail contacts
- High hermeticity performance: 10^{-7} atm.cm³/s
- 100 % scoop proof
- High density connectors
- Lower profile for compactness
- Weight saving compared to hermetic version
- Reinforced sealing for harsh environments
- Good shock resistance

Applications

- Avionics
- Missile warning systems
- To be used when enhanced sealing is needed in harsh environments
- To be used as an alternative to hermetic glass bead

Layouts

All 8D layouts can be manufactured with resin sealed (except for power contact - please consult us).

Ordering information

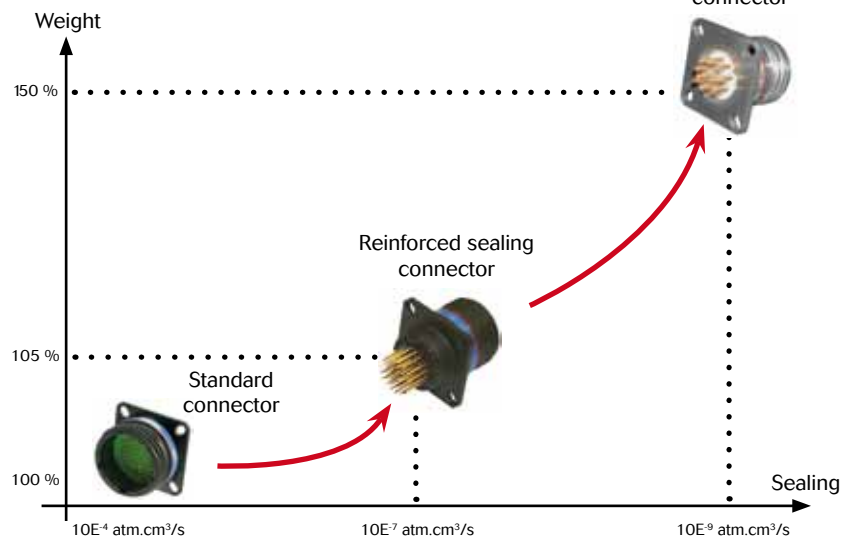
After the basic Series "8D", related to the digit "R" (8D+R...)
Don't forget the digit related to the PC tail length (C, M, L, S).

Examples:

8D (Alu) = 8DR 0 C 13 W 35 PN
8D (Titane) = 8DR 7 L 13 TT 35 PN

Comparison between standard, reinforced sealing and hermetic version

Example: 8D Series



Please, consult us !



Hermetic Series

Derived from MIL-DTL-38999 Series III

8D - Hermetic Series



Description

As per MIL-DTL-38999

- Inert glass insulator
- High hermeticity performance
- Ideal for high pressure environments
- Low profile
- Nickel plating upon request

Technical features

Mechanical

- **Shell:** stainless steel
- **Shell plating:** passivated
- **Interfacial seal:** silicone elastomer
- **Contacts:** gold
- **Endurance:** 500 operations
- **Hermeticity:**
no leakage in excess of 10⁻⁷ cm³/s

Electrical

- **Test voltage rating:**

| Service | sea level | at 21000 m |
|---------|-----------|------------|
| M | 1 300 | 800 |
| I | 1 800 | 1 000 |
| II | 2 300 | 1 000 |

- **Shielding:** 45 dB at 10 GHz

- **Insulation resistance:**
5000 mh (under 500 Vdc)

- **Current rating:**

| Contacts size | 22D | 20 | 16 | 12 |
|---------------|-----|----|----|----|
| Rating (A) | 3 | 5 | 10 | 17 |

Environmental

- **Temperature:** -65°C at 200°C
- **Salt spray:** per MIL-DTL-38999

8D - Hermetic Series

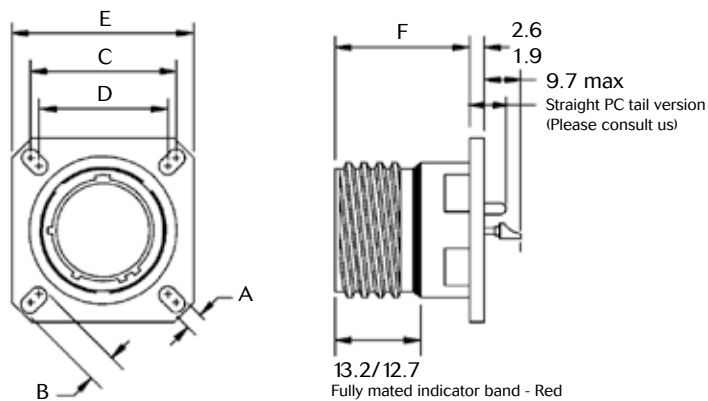


Connector part numbers

| | | | | | | | | | |
|--|----------------|-----------|----------|----------|-----------|----------|----------|-----------|----------|
| Basic Series | F389999 | 21 | y | A | 35 | P | N | WF | - |
| Shell style: | | | | | | | | | |
| 21: Box mounting flange receptacle | | | | | | | | | |
| 23: Jam nut receptacle | | | | | | | | | |
| 25: Solder mounting receptacle | | | | | | | | | |
| Class: | | | | | | | | | |
| y: Passivated stainless steel | | | | | | | | | |
| Shell size: | | | | | | | | | |
| 09=A, 11=B, 13=C, 15=D, 17=E, 19=F, 21=G, 23=H, 25=J | | | | | | | | | |
| Contact layout: | | | | | | | | | |
| See pages 11 to 14 | | | | | | | | | |
| Contact type: | | | | | | | | | |
| P: Male solder cup | | | | | | | | | |
| C: Male straight PC tail (please consult us) | | | | | | | | | |
| Orientation: | | | | | | | | | |
| N, A, B, C, D, E (see page 65) | | | | | | | | | |
| Suffix: | | | | | | | | | |
| WF: Mandatory suffix | | | | | | | | | |
| Specification: | | | | | | | | | |
| None for standard product | | | | | | | | | |

Dimensions

Box mounting flange receptacle (type 21)



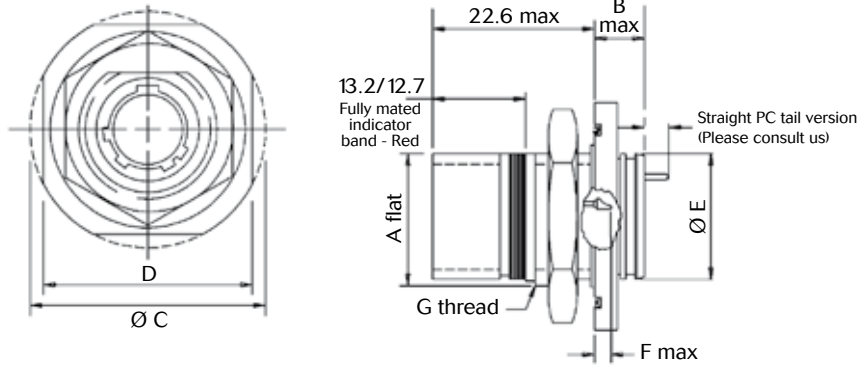
| Shell size | A ± 0.20 | B ± 0.20 | C | D | E ± 0.30 | F max |
|------------|----------|----------|-------|-------|----------|-------|
| A (9) | 3.25 | 4.93 | 18.26 | 15.09 | 23.80 | 21.40 |
| B (11) | | | 20.62 | 18.26 | 26.20 | |
| C (13) | | | 23.01 | 20.62 | 28.60 | |
| D (15) | | | 24.61 | 23.01 | 31.00 | |
| E (17) | | | 26.97 | 24.61 | 33.30 | |
| F (19) | | | 29.36 | 26.97 | 36.50 | |
| G (21) | | | 31.75 | 29.36 | 39.70 | |
| H (23) | 3.91 | 6.15 | 34.93 | 31.75 | 42.90 | |
| j (25) | | | 38.10 | 34.93 | 46.00 | |

Note: All dimensions are in millimeters (mm)

8D - Hermetic Series

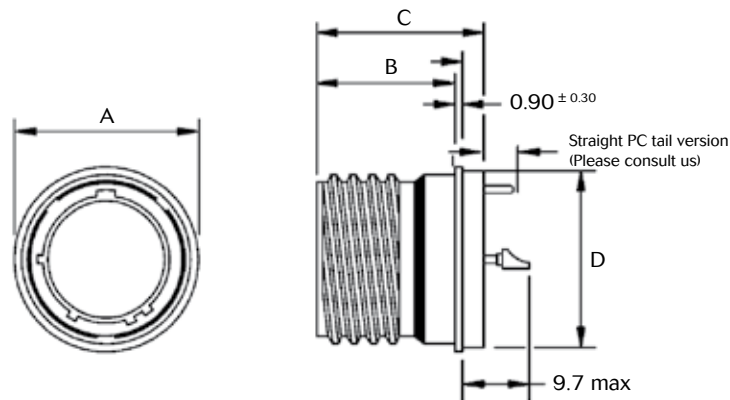


Jam nut receptacle (type 23)



| Shell size | A flat $\pm \begin{smallmatrix} 0.10 \\ 0.15 \end{smallmatrix}$ | B max | $\text{Ø C} \pm 0.30$ | $\text{Ø D} \pm 0.40$ | $\text{Ø E} \pm 0.30/0$ | F max | G thread |
|------------|---|-------|-----------------------|-----------------------|-------------------------|-------|------------|
| A (9) | 16.53 | 9.10 | 30.20 | 27.00 | 16.30 | 5.30 | M17 x 1-6g |
| B (11) | 19.07 | | 34.90 | 31.80 | 19.40 | | M20 x 1-6g |
| C (13) | 23.82 | | 38.10 | 34.90 | 22.70 | | M25 x 1-6g |
| D (15) | 26.97 | | 41.30 | 38.10 | 25.90 | | M28 x 1-6g |
| E (17) | 30.15 | | 44.50 | 41.30 | 29.00 | | M32 x 1-6g |
| F (19) | 33.32 | 9.70 | 49.20 | 46.00 | 32.20 | 5.10 | M35 x 1-6g |
| G (21) | 36.50 | | 52.40 | 49.20 | 35.40 | | M38 x 1-6g |
| H (23) | 39.67 | | 55.60 | 52.40 | 38.60 | | M41 x 1-6g |
| j (25) | 42.85 | | 58.70 | 55.60 | 41.70 | | M44 x 1- |

Solder mounting receptacle (type 25)



| Shell size | Ø A max | B max | C max | D max |
|------------|---------|-------|-------|-------|
| A (9) | 19.40 | 17.20 | 23.80 | 17.10 |
| B (11) | 21.80 | | | 19.90 |
| C (13) | 24.90 | | | 23.10 |
| D (15) | 28.10 | | | 26.20 |
| E (17) | 31.30 | | | 29.40 |
| F (19) | 33.60 | | | 31.80 |
| G (21) | 36.80 | | | 35.00 |
| H (23) | 40.00 | 24.60 | 38.20 | |
| j (25) | 43.20 | | 41.30 | |

Note: All dimensions are in millimeters (mm)



Clinch Nuts

Derived from MIL-DTL-38999 Series III

8D - Clinch Nuts



Description

- Square flange receptacle with 4 clinch nuts
- Clinch nut are selflocking
- Rear mounting
- Easy to install
- Time saving
- Different plating available over aluminum material
- Equivalent MIL level qualification as 38999 Series III
- Clinch nut tested:
 - Impact test (drop 0.4kg from height of 100mm)
 - Push out test (130N during 15s max)
 - Wrench out test (1N/m)
- Clinch Nut in UNC thread available on request

Technical features

Mechanical

- **Shell:** Aluminum
 - **Shells plating:**
 - Cadmium olive drab (W)
 - Nickel (F)
 - Black zinc nickel (Z)
 - Green zinc cobalt (ZC)
 - **Insulator:** Thermoplastic
 - **Grommet and interfacial seal:** Silicone elastomer
 - **Contact:** Copper alloy
 - **Contact plating:** Gold over nickel plated
 - **Endurance:**
 - . 500 mating/unmating operations
 - **Shock:**
 - 300g, 3 ms according EN 2591-D2 method A
 - **Vibration:**
 - . Sinus:
 - . 10 à 2000 Hz, 3x12 hrs (60g, 140 - 2000 Hz) with T° cycling
 - . Random:
 - . 50 to 2000 Hz, 2x8 Hrs (1g2/ Hz, 100 - 2000Hz) at T° max.
 - . 25 to 2000 Hz, 2x8 Hrs (5g2/ Hz, 100 - 300Hz) at ambient T°
- Test with accessories in acc with EN 2591-D3

Contact retention:

| | | | | | | |
|----------------|----|----|-----|-----|-----|-----|
| Contact size | 22 | 20 | 16 | 12 | 8 | 4 |
| Min force in N | 44 | 67 | 111 | 111 | 111 | 200 |

Electrical

Test voltage rating (Vrms)

| Service | sea level | at 21000 m |
|---------|-----------|------------|
| M | 1 300 | 800 |
| N | 1 000 | 600 |
| I | 1 800 | 1 000 |
| II | 2 300 | 1 000 |

Contact resistance

| | | | | | | |
|---------------|------|-----|-----|-----|---|---|
| Contact size | 22 | 20 | 16 | 12 | 8 | 4 |
| Resistance mΩ | 14.6 | 7.3 | 3.8 | 3.5 | 3 | 2 |

- **Insulation resistance:**
 - ≥ 5 000 MΩ (under 500 Vdc)

Contact rating:

| | | | | | | |
|--------------|----|-----|----|----|----|----|
| Contact size | 22 | 20 | 16 | 12 | 8 | 4 |
| Rating (A) | 5 | 7.5 | 13 | 23 | 45 | 80 |

- **Shell continuity**
 - Cadmium olive drab (W): 2.5 Ωh
 - Nickel (F): 1 Ωh
 - Black zinc nickel (Z): 2.5 Ωh
 - Green zinc cobalt (ZC): 2.5 Ωh

Shielding:

- F: 65 db at 10 GHz
- F: 85 db at 1 GHz
- W: 50 db at 10 GHz
- Z & ZC: Consult us

Climatics

- **Temperature range:**
 - W: -65°C +175°C
 - F: -65°C +200°C
 - Z: -65°C +200°C
 - ZC: -65°C +200°C
- **Sealing:**
 - Mated connectors meet altitude immersion requirements of MIL-DTL-38999.
- **Salt spray:**
 - W: 500 Hrs
 - F: 48 Hrs
 - Z: 500 Hrs
 - ZC: 500 Hrs

Resistance to fluids

- **According to MIL-DTL-38999 standard**
 - . Gasoline: JP5 (OTAN F44)
 - . Mineral hydrolic fluid: MIL-H-5606 (OTAN H515)
 - . Synthetic hydraulic fluid: Skydrol 500 B4
- **LD4 (SAE AS 1241)**
 - . Mineral lubricating: MIL-L-7870A (OTAN O142)
 - . Synthetic lubricating: MIL-L-23699 (OTAN O156), MIL-L-7808
 - . Cleaning fluid: MIL-DTL-25769 diluted
 - . De-icing fluid: MIL-A-8243
 - . Extinguishing fluid: Chlorobrométhane
 - . Cooling fluid: Coolanol

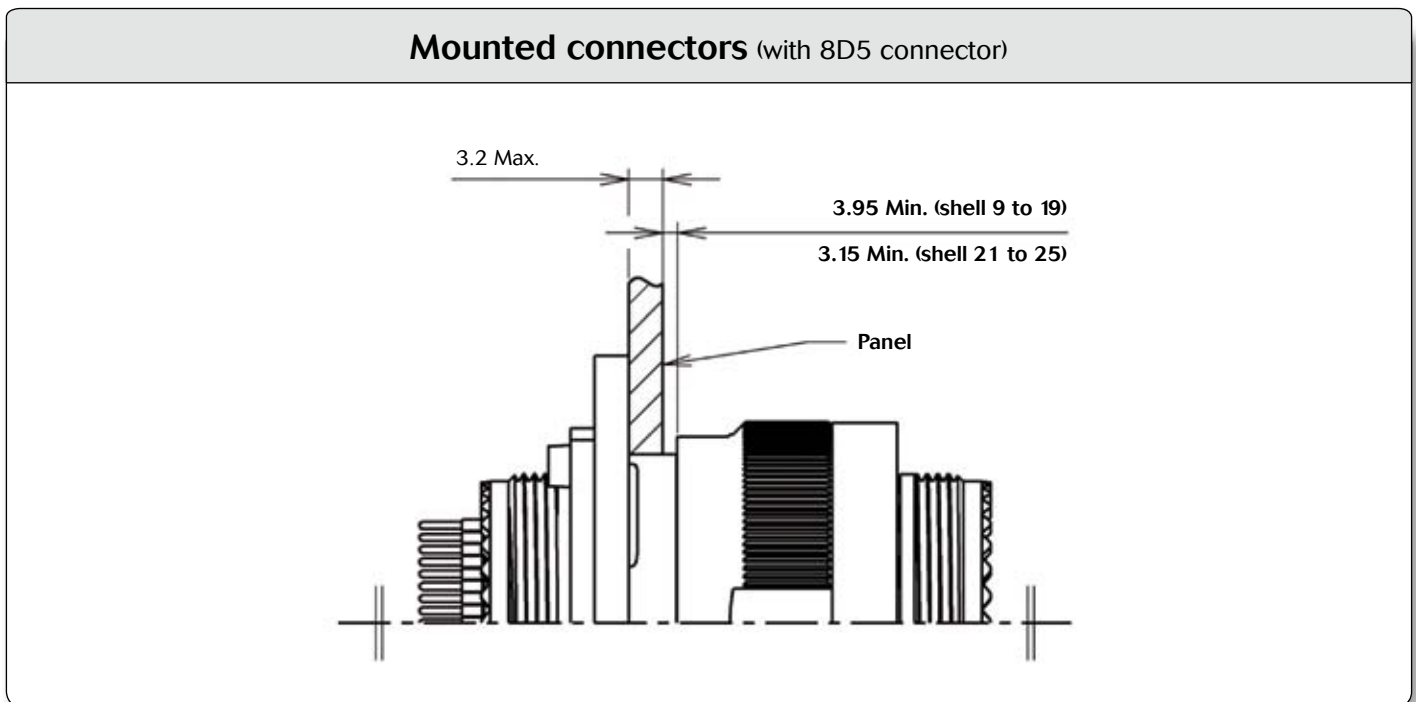
8D - Clinch Nuts



Ordering information

| | | | | | | | | |
|---|-----------|-----------|----------|-----------|----------|-----------|----------|----------|
| Basic Series | 8D | 34 | C | 19 | F | 35 | S | N |
| Shell style: 34: Square flange receptacle with M3 clinch nuts | | | | | | | | |
| Contact length: (consult us) C: Short PC tail L: Long PC tail S: Specific PC tail | | | | | | | | |
| Shell size: 09, 11, 13, 15, 17, 19, 21, 23, 25 | | | | | | | | |
| Plating: F: Nickel W: Olive green cadmium Z: Black zinc nickel ZC: Green zinc cobalt | | | | | | | | |
| Contact layout: See pages 11 to 14 | | | | | | | | |
| Contact type: P: Pin S: Socket | | | | | | | | |
| Orientation: N, A, B, C, D, E | | | | | | | | |

Dimensions

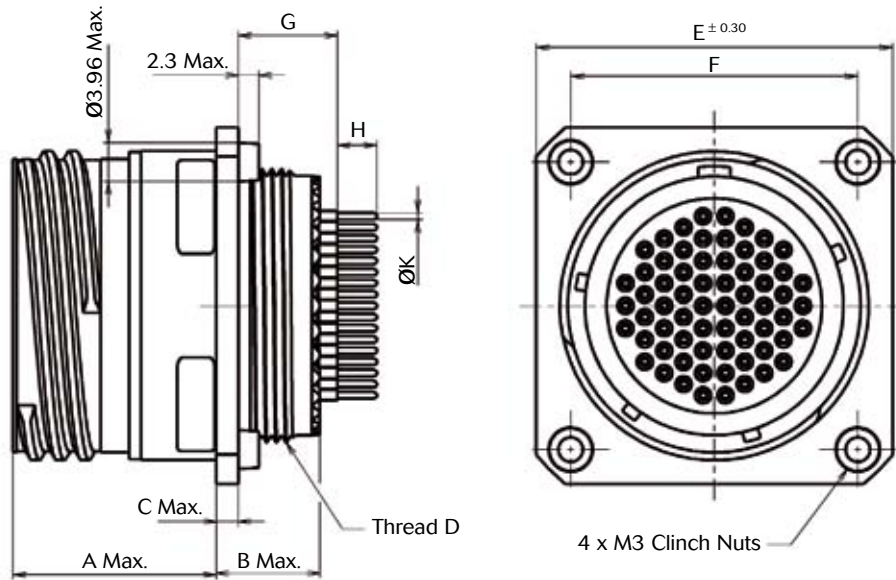


Note: All dimensions are in millimeters (mm)

8D - Clinch Nuts



Jam nut receptacle (type 34)



| Shell Size | A Max | B Max | C Max | D Thread | E ±0.3 | F |
|------------|-------|-------|-------|----------|--------|-------|
| 9 | 20.90 | 10.60 | 2.50 | M12x1-6g | 27.79 | 18.26 |
| 11 | | | | M15x1-6g | 30.15 | 20.62 |
| 13 | | | | M18x1-6g | 32.54 | 23.01 |
| 15 | | | | M22x1-6g | 34.14 | 24.61 |
| 17 | | | | M25x1-6g | 36.5 | 26.97 |
| 19 | | | | M28x1-6g | 38.89 | 29.36 |
| 21 | 20.10 | 11.40 | 3.20 | M31x1-6g | 41.27 | 31.75 |
| 23 | | | | M34x1-6g | 44.45 | 34.93 |
| 25 | | | | M37x1-6g | 47.62 | 38.1 |

Short contact length

For other length please consult us

| Shell size | G | | | | H | | K | |
|------------|--------------|--------------|--------------|--------------|-----------|-----------|-------------|-------------|
| | #22D | | #20 & #16 | | #22D | #20 & #16 | #22D & #20 | #16 |
| | P | S | P | S | P & S | P & S | P & S | P & S |
| 9 | 9.47 / 10.54 | 9.09 / 10.54 | 9.64 / 10.71 | 9.26 / 10.71 | 3.8 / 4.0 | 4.9 / 5.1 | 0.65 / 0.70 | 1.09 / 1.15 |
| 11 | | | | | | | | |
| 13 | | | | | | | | |
| 15 | | | | | | | | |
| 17 | | | | | | | | |
| 19 | | | | | | | | |
| 21 | 9.58 / 10.65 | 9.20 / 10.65 | 9.75 / 10.82 | 9.37 / 10.82 | | | | |
| 23 | | | | | | | | |
| 25 | | | | | | | | |

Note: All dimensions are in millimeters (mm)

8D - Double Flange



Double Flange
Derived from MIL-DTL-38999 Series III

8D - Double Flange



Description

- High level vibration resistance in harsh environments.
- Offers the same level of performance as the MIL-DTL-38999 Series III connector.
- New receptacle body: Square flange & Jam Nut.
- No risk of breaking contacts.
- No risk of micro-cuts.
- Allow direct grounding from PCB to the flange.
- Standard PC tails contacts: #16, #20 and #22 - as well as specific ones.

Technical features

Mechanical

- **Shell:** Aluminum
 - **Shell plating:**
 - . Cadmium olive drab (W)
 - . Nickel (F)
 - . Black zinc nickel (Z)
 - **Insulator:** Thermoplastic
 - **Grommet and interfacial seal:** Silicone elastomer
 - **Contacts:** Copper alloy
 - **Contacts plating:** Gold over nickel plated
 - **Endurance:** 500 mating/unmating operations whatever the material used
 - **Shock:** 300g, 3 ms according EN 2591-D2 method A
 - **Vibration:**
 - . Sinus:
 - . 10 à 2000 Hz, 3x12 hrs (60g, 140 - 2000 Hz) with T° cycling
 - . Random:
 - . 50 to 2000 Hz, 2x8 Hrs (1g2/ Hz, 100 - 2000Hz) at T° max.
 - . 25 to 2000 Hz, 2x8 Hrs (5g2/ Hz, 100 - 300Hz) at ambient T°
- Test with accessories in acc with EN 2591-D3

Contact retention:

| | | | | | | |
|----------------|----|----|-----|-----|-----|-----|
| Contact size | 22 | 20 | 16 | 12 | 8 | 4 |
| Min force in N | 44 | 67 | 111 | 111 | 111 | 200 |

Electrical

Test voltage rating (Vrms)

| Service | sea level | at 2 1000 m |
|---------|-----------|-------------|
| M | 1 300 | 800 |
| N | 1 000 | 600 |
| I | 1 800 | 1 000 |
| II | 2 300 | 1 000 |

Contact resistance

| | | | | | | |
|---------------|------|-----|-----|-----|---|---|
| Contact size | 22 | 20 | 16 | 12 | 8 | 4 |
| Resistance mΩ | 14.6 | 7.3 | 3.8 | 3.5 | 3 | 2 |

Insulation resistance:

≥ 5 000 MΩ (under 500 Vdc)

Contact rating:

| | | | | | | |
|--------------|----|-----|----|----|----|----|
| Contact size | 22 | 20 | 16 | 12 | 8 | 4 |
| Rating (A) | 5 | 7.5 | 13 | 23 | 45 | 80 |

Shell continuity:

- . Cadmium olive drab (W): 2.5 Ωh
- . Nickel (F): 1 Ωh
- . Black zinc nickel (Z): 2.5 Ωh

Shielding:

- . F: 65 db at 10 GHz; 85 db at 1 GHz
- . W: 50 db at 10 GHz
- . Z: Consult us

Climatics

Temperature range:

- . W: -65°C +175°C
- . F: -65°C +200°C
- . Z: -65°C +200°C

Sealing:

Mated connectors meet altitude immersion requirements of MIL-DTL-38999.

Salt spray:

- . W: 500 Hrs
- . F: 48 Hrs
- . Z: 500 Hrs

Resistance to fluids

According to MIL-DTL-38999 standard

- . Gasoline: JP5 (OTAN F44)
- . Mineral hydrolic fluid: MIL-H-5606 (OTAN H515)
- . Synthetic hydraulic fluid: Skydrol 500 B4

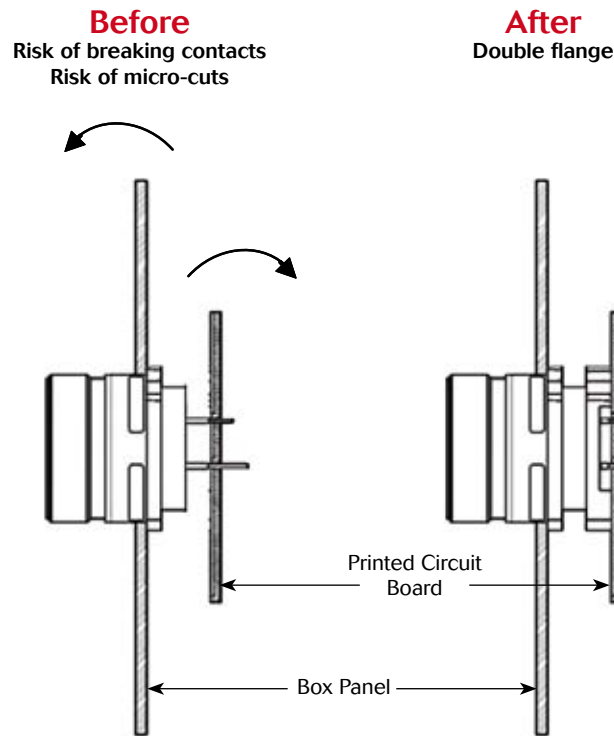
LD4 (SAE AS 1241)

- . Mineral lubricating: MIL-L-7870A (OTAN 0142)
- . Synthetic lubricating: MIL-L-23699 (OTAN 0156), MIL-L-7808
- . Cleaning fluid: MIL-DTL-25769 diluted
- . De-icing fluid: MIL-A-8243
- . Extinguishing fluid: Chlorobromethane
- . Cooling fluid: Coolanol

8D - Double Flange



Comparison



Ordering information

| | | | | | | | | | | |
|--|----|----|----|---|----|---|----|---|---|---|
| Basic Series | 8D | 87 | 11 | C | 17 | W | 35 | P | N | - |
| Shell type: | | | | | | | | | | |
| 87: Jam nut receptacle | | | | | | | | | | |
| Length between panel & PCB * | | | | | | | | | | |
| Type: | | | | | | | | | | |
| C: Receptacle with short PC tail | | | | | | | | | | |
| L: Receptacle with long PC tail | | | | | | | | | | |
| Shell size: | | | | | | | | | | |
| 09, 11, 13, 15, 17, 19, 21, 23, 25 | | | | | | | | | | |
| Plating: | | | | | | | | | | |
| W: Olive green cadmium | | | | | | | | | | |
| F: Nickel (ROHS) | | | | | | | | | | |
| Z: Zinc nickel | | | | | | | | | | |
| Contact layout: | | | | | | | | | | |
| See pages 11 to 14 | | | | | | | | | | |
| Contact type: | | | | | | | | | | |
| P: Pin | | | | | | | | | | |
| S: Socket | | | | | | | | | | |
| Orientation: | | | | | | | | | | |
| N, A, B, C, D, E | | | | | | | | | | |
| Specification: | | | | | | | | | | |
| None: Standard | | | | | | | | | | |
| L: Without contacts | | | | | | | | | | |
| For other specification, please contact us | | | | | | | | | | |

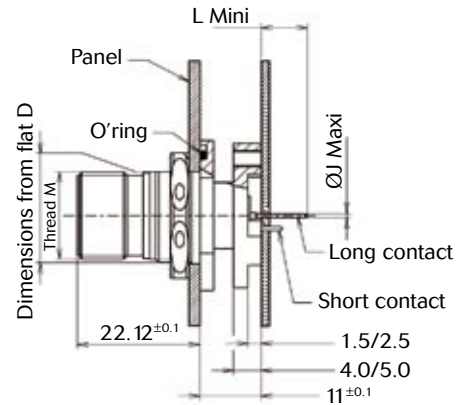
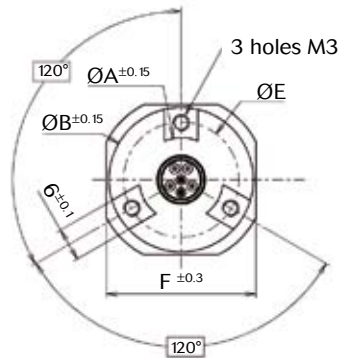
* For other length between panel & PCB please consult us.

8D - Double Flange



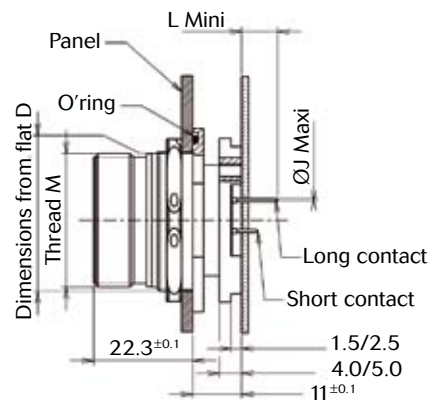
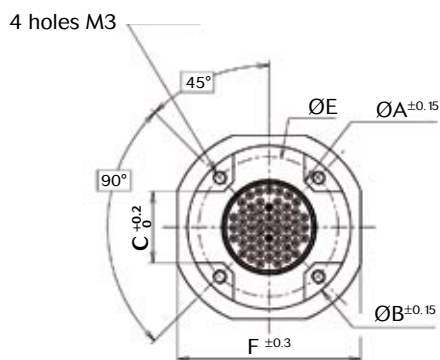
Dimensions

Jam nut receptacle (type 87) - Size 9 & 11



| Shell size | $\text{ØA} \pm 0.15$ | $\text{ØB} \pm 0.15$ | D max. | ØE | $F \pm 0.3$ | Thread M |
|------------|----------------------|----------------------|--------|-------------|-------------|--------------|
| 9 | 15.10 | 26.00 | 16.56 | 20.50 | 27.01 | 5/8" UNEF-24 |
| 11 | 19.90 | 30.80 | 19.10 | 25.20 | 31.81 | 3/4" UNEF-20 |

Jam nut receptacle (type 87) - Size 13 to 25



| Shell size | $\text{ØA} \pm 0.15$ | $\text{ØB} \pm 0.15$ | $C_0^{+0.2}$ | D max. | ØE | $F \pm 0.3$ | Thread M |
|------------|----------------------|----------------------|--------------|--------|-------------|-------------|----------------|
| 13 | 19.90 | 30.80 | 12 | 23.85 | 25.25 | 34.91 | 7/8" UNEF-20 |
| 15 | 23.00 | 33.90 | 14 | 27.00 | 28.42 | 38.11 | 1" UNEF-20 |
| 17 | 26.00 | 36.80 | 16 | 30.20 | 31.42 | 41.31 | 1"3/16 UNEF-18 |
| 19 | 29.50 | 40.40 | 18 | 33.35 | 35.03 | 46.01 | 1"1/4 UNEF-18 |
| 21 | 32.50 | 43.20 | 20 | 36.55 | 37.82 | 49.21 | 1"3/8 UNEF-18 |
| 23 | 35.50 | 46.50 | 23 | 39.70 | 41.12 | 52.41 | 1"1/2 UNEF-18 |
| 25 | 38.60 | 49.60 | 25 | 42.90 | 44.30 | 55.61 | 1"5/8 UNEF-18 |

Note: All dimensions are in millimeters (mm)

8D - Double Flange



Straight PC tail contacts

| Contact size | Contact type | PC tail length | L min | ØJ max |
|--------------|--------------|----------------|-------|--------|
| 22D | P | L | 7.1 | 0.7 |
| | S | | | |
| | P | C | 3.6 | |
| | S | | | |
| 20 | P | L | 7.1 | 0.9 |
| | S | | | |
| | P | C | 3.6 | |
| | S | | | |
| 16 | P | L | 7.1 | 1.35 |
| | S | | | |
| | P | C | 3.6 | |
| | S | | | |
| 12 | P | L | - | - |
| | S | | | |
| | P | C | 3.6 | 1.7 |
| | S | | | |

Note: All dimensions are in millimeters (mm)

8D - Optical ELIO® Contacts



Optical ELIO® Contacts Derived from MIL-DTL-38999 Series III

8D - Optical ELIO® Contacts



EN4531

ABS1379

Arinc801

ELIO® contact

- Robust spring-loaded butt-joint optical contact using ST style ferrule (diameter 2.5mm)
- Contact size equivalent to a #16 contact
- Anti-rotation of the contact for better vibration withstanding and optical performance
- Boot-grommet for rear sealing and protection of the cable against excessive bending
- Compatibility with loose and tight structure cables
- High level optical performance even after aging
- Bayonet locking system: no tool needed for mounting/dismounting
- Compatible with singlemode and multimode cable

Applications

- ELIO® fiber optic contacts apply wherever robustness, high performance and easy maintenance are needed:
 - Aerospace,
 - Military,
 - Marine,
 - Geophysics,
 - Railways...

Technical features

Mechanical

- **Endurance:**
Minimum 500 mating / unmating operations
- **Shock:**
300 g, 3 ms as per EN 2591-6402 method A
- **Vibration:**
In MIL-DTL-38999 Series III/EN3645 connectors:
 - Sine 5Hz to 3000Hz as per EN2591-6403 method A
 - Random as per EN2591-6403 method B
- **Cable cyclic flexing*:**
100 cycles, load 40N as per EN2591-609
- **Cable pulling*:** 111N
- **Cable torsion*:**
100 cycles, load 40N as per EN2591-611

Environmental

- **Salt spray:**
See the connector standard
- **Temperature range*:**
-65°C to +125°C (1000 hours)
- **Rapid temperature change:**
10 cycles -65°C / +150°C (30min/30min)
- **Air leakage:**
Max leakage 16 cm³/h, 2 hours, 40kPa differential pressure
- **Damp heat and low temperature:**
5 cycles of 48h -65°C/+70°C with stage at 40°C with 95% of humidity as per EN2591-6303 method A

Optical

- **Insertion Loss (IL)*:**
< 0.3dB over 95% of the samples as per EN2591-601,
< 0.7dB maximum on 100% of the samples after tests
- **Return Loss (RL)*:**
> 21dB before and after tests as per EN2591-605
- **Singlemode contact:** Please consult us

Resistance to fluids as per MIL-DTL-38999/EN3645 standard

- **Fuel:** JP5
- **Mineral Hydraulic fluid:**
MIL-PRF-5606 (NATO H-515)
- **Synthetic hydraulic fluid:**
AS1241 (Skydrol 500B4, LD4)
- **Mineral lubricant:**
MIL-PRF-7870 (NATO O-142)
- **Synthetic lubricant:**
MIL-PRF-23699 (NATO O-156),
MIL-PRF-7808 (NATO O-148)
- **Cleaning fluid:**
MIL-PRF-87937 diluted, Propanol, white spirit, Azeotrope R113 + Methanol
- **De-icing fluid:**
AMS 1424 (NATO S-742)
- **Extinguishing fluid:**
Chlorobromethane
- **Cooling fluid:**
Coolanol

* With multimode EN4641-100 cable and following the cabling process described in the "Technical Bulletin N°204 - ELIO® assembly wiring instructions" and the maintenance procedure in the document "Technical Bulletin N°170 - Fiber optics installation and maintenance procedure"

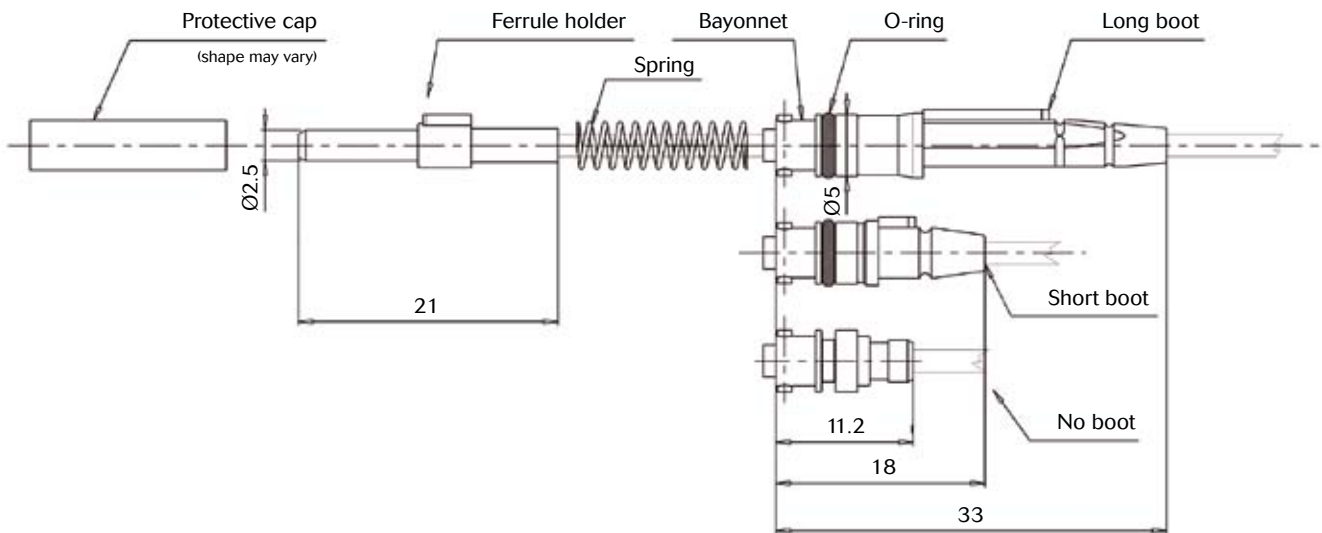
8D - Optical ELIO® Contacts



Ordering information

| | Elio | 09 | N | G | L | A |
|---|------|----|---|---|---|---|
| Cable external diameter: | | | | | | |
| 09: 0.9 mm or cable wider than 1.9mm with 0.9mm jacket inside | | | | | | |
| 18: from 1.5mm to 1.9mm | | | | | | |
| Contact sealing: | | | | | | |
| W: waterproof (1.8mm +/- 0.1mm cable only) | | | | | | |
| N: non waterproof | | | | | | |
| Fibre type: | | | | | | |
| G: 50 or 62,5/125 µm | | | | | | |
| D: 100/140 µm | | | | | | |
| <i>For singlemode fibre (9/125) please consult us.</i> | | | | | | |
| Boot type: | | | | | | |
| L: Long boot | | | | | | |
| S: Short boot | | | | | | |
| N: No boot (non waterproof version only) | | | | | | |
| Contact version index | | | | | | |

ELIO® contact dimensions



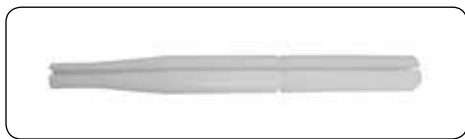
Note: All dimensions are in millimeters (mm)

8D - Optical ELIO® Contacts



Insertion & extraction tooling

Tool needed for short boot and no boot contacts versions.



* For long boot, tool recommended for 8 way high density insert and more.

Recommended cables

SOURIAU can offer a wide range of cables in its assemblies, from low cost to high performance aeronautical cables.

ELIO® contact is compatible with singlemode and multimode cable, with tactical and breakout cable.

ELIO® contact is suitable with loose and tight structure cable.

See Souriau "ELIO® Fiber Optic Technology» catalog.

8D - Optical ELIO® Contacts



EN4531
ABS1213
Arinc801

MIL-DTL-38999 Series III/EN3645 with ELIO® high density insert

- Standard MIL-DTL-38999/EN3645 shells without shielding ring (aluminum, composite, stainless steel, bronze)
- Environmental performance as per EN4531 based on MIL-DTL-38999/EN3645
- Temperature range: - 65°C to + 125°C (cable limitation)

Ordering information

Composite, Aluminum & Stainless Steel

| | 8D | 5 | E | 11 | W | 02 | A | N |
|--|----|---|---|----|---|----|---|---|
| Shell type: | | | | | | | | |
| 5: Plug | | | | | | | | |
| 0: Receptacle with 4-hole square flange fixing | | | | | | | | |
| 7: Receptacle with single hole jam nut fixing (<i>aluminum & stainless steel only</i>) | | | | | | | | |
| Designation: | | | | | | | | |
| E: ELIO® optical connector | | | | | | | | |
| Shell size: | | | | | | | | |
| 09, 11, 13, 19 (aluminum, composite & stainless steel) | | | | | | | | |
| 25 (aluminum & stainless steel only) | | | | | | | | |
| Plating: | | | | | | | | |
| Aluminum: | | | | | | | | |
| Z: Zinc nickel | | | | | | | | |
| ZC: Zinc cobalt | | | | | | | | |
| W: Olive green cadmium | | | | | | | | |
| F: Nickel | | | | | | | | |
| Composite: | | | | | | | | |
| J: Olive green cadmium | | | | | | | | |
| M: Nickel | | | | | | | | |
| X: Without plating | | | | | | | | |
| Stainless steel: | | | | | | | | |
| K: Passivated | | | | | | | | |
| S: Nickel | | | | | | | | |
| Contact layouts: | | | | | | | | |
| See pages 11 to 14 | | | | | | | | |
| Insert type: * | | | | | | | | |
| A: Male insert | | | | | | | | |
| B: Female insert with ceramic alignment sleeves | | | | | | | | |
| Orientation: | | | | | | | | |
| N, A, B, C, D, E | | | | | | | | |

* Souriau advice: A for plug & B for receptacle

8D - Optical ELIO® Contacts



JVS Bronze

| | | | | | | | | |
|--|-----|---|---|---|----|----|---|---|
| | JVS | E | 6 | A | 11 | 02 | A | N |
| Designation: E: ELIO® optical connector | | | | | | | | |
| Shell type: 6: Plug 0: Receptacle with 4-hole square flange fixing 7: Receptacle with single hole jam nut fixing | | | | | | | | |
| Material: A: Bronze | | | | | | | | |
| Shell size: 09, 11, 13, 19, 25 | | | | | | | | |
| Contact layouts: See pages 11 to 14 | | | | | | | | |
| Insert type: * A: Male insert B: Female insert with ceramic alignment sleeves | | | | | | | | |
| Orientation: N, A, B, C, D, E | | | | | | | | |

* Souriau advice: A for plug & B for receptacle







8D - Optical ELIO® Contacts



ELIO® AQ Adaptor for Quadrax #8 cavities

- ELIO® AQ is an adaptor to enable the ELIO® contact to fit in any #8 Quadrax cavities in several types of connectors. Therefore, any layout containing #8 cavities can be implemented with the ELIO® fiber optic contact
- Multiple possibilities to mix optical and electrical signals in the same insert
- Temperature range: -65°C to +125°C (cable limitation)
- 100% compliant with ELIO® contact optical performance
- Before use, please ask for "Technical Bulletin N°160 Mounting Instructions ELIO® AQ adaptor"

Ordering information

| | | | |
|----------------------|--------------|---|--|
| Male Insert | ELIO-AQ0P * |  | ARINC 404 (rear release) ARINC 600 (rear release) |
| | ELIO-AQ1P |  | ARINC 404 (front release) ARINC 600 (front release) |
| | ELIO-AQ4P |  | EN3646 EN3545 |
| | ELIO-AQ6PA * |  | MIL-DTL-38999 Series III/ EN3645 |
| Female Insert | ELIO-AQ0S |  | ARINC 404 (rear release) ARINC 600 (rear release) EN3646 EN3545 |
| | ELIO-AQ6SA * |  | MIL-DTL-38999 Series III/ EN3645 |

* Delivered with alignment boot

8D - Optical ELIO® Contacts



MIL-DTL-38999 Series III/EN3645 with ELIO® AQ Adaptor for Quadrax #8 cavities

- Compatible with standard MIL-DTL-38999 Series III/EN3645 Souriau connectors (aluminum, composite, stainless steel, bronze)
- Design ensures ELIO® optical performance
- Environmental performance as per MIL-DTL-38999 and EN3645 standard
- Temperature range: - 65°C to +125°C (cable limitation)

Contact layouts

See pages 11 to 14

Ordering information

Aluminum: see page 18

Composite: see page 32

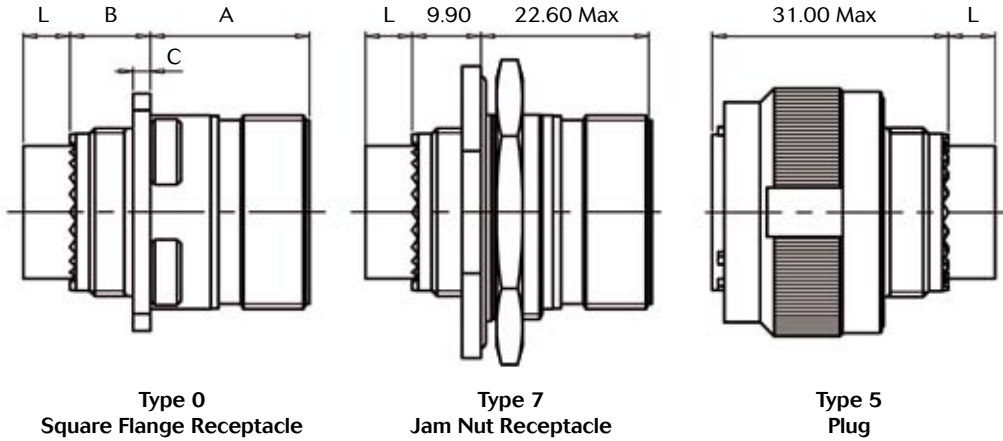
Stainless steel: see page 40

Bronze: see page 54

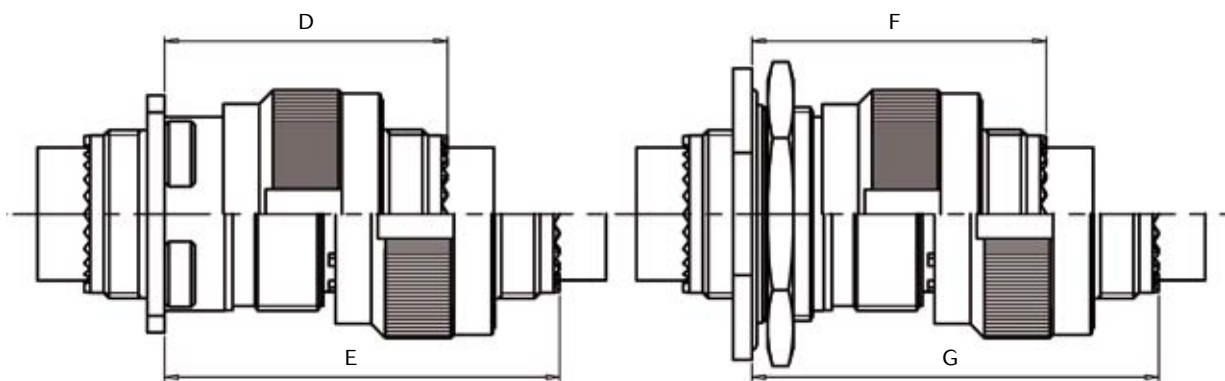
8D - Optical ELIO® Contacts



Dimensions



| | A | | B | | C | | L | |
|-------------------------------|---------------------|---------------|---------------------|---------------|---------------------|---------------|----------------|------------------|
| | Shell size 09 to 19 | Shell size 25 | Shell size 09 to 19 | Shell size 25 | Shell size 09 to 19 | Shell size 25 | Male insulator | Female insulator |
| Receptacle Type 0-7 Metal | 20.90 Max | 20.10 Max | 10.60 Max | 11.40 Max | 2.50 Max | 3.20 Max | 4 Max | 6.60 Max |
| Receptacle Type 0-7 Composite | 20.90 Max | 20.90 Max | 10.60 Max | 10.60 Max | 2.50 Max | 2.50 Max | | |



| | D | | E | | F | | G | |
|------------------------------------|---------------------|---------------|---------------------|---------------|---------------------|---------------------|---------------------|---------------------|
| | Shell size 09 to 19 | Shell size 25 | Shell size 09 to 19 | Shell size 25 | Shell size 09 to 11 | Shell size 13 to 25 | Shell size 09 to 11 | Shell size 13 to 25 |
| Plug + Receptacle Type 0 - 7 Metal | 37.00 Max | 36.00 Max | 52.30 Max | 51.30 Max | 38.30 Max | 38.50 Max | 53.60 Max | 53.80 Max |
| Plug + Receptacle Type 0 Composite | 37.00 Max | 36.00 Max | 52.30 Max | 51.30 Max | N/A | N/A | N/A | N/A |

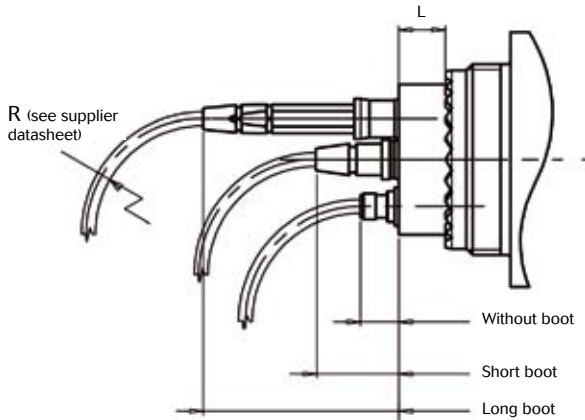
Note: All dimensions are in millimeters (mm)

8D - Optical ELIO® Contacts

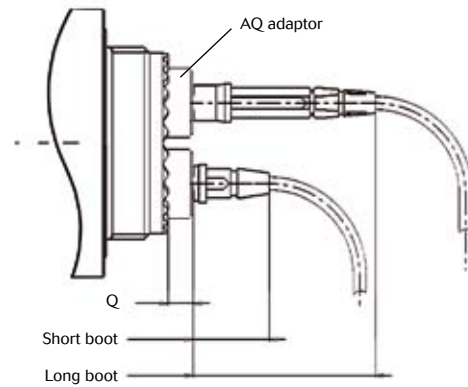


Dimensions

38999 Series III/EN3645 with ELIO® contacts in ELIO® high-density insert



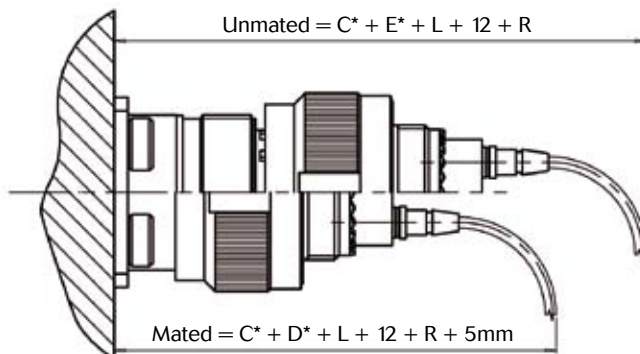
38999 Series III/EN3645 with ELIO® contacts in ELIO® AQ adaptors



| | ELIO® high density insert | | | | | ELIO® AQ adaptors | | | |
|---------------------------------|---------------------------|------------------|----------------|------------|-----------|-------------------|------------------|----------------|-----------|
| | L | | Contact length | | | Q | | Contact length | |
| | Male insulator | Female insulator | Without boot | Short boot | Long boot | Male insulator | Female insulator | Short boot | Long boot |
| Plug | | | | | | | | | |
| Square flange receptacle | 4 Max | 6.60 Max | 6 Max | 12 Max | 27 Max | 9.60 Max | 3 Max | 12 Max | 27 Max |
| Jam nut receptacle | | | | | | | | 11.50 Max | 26.50 Max |

Total length example

Square flange receptacle + plug + ELIO® contacts in ELIO® high-density insert



* See previous page

Note: All dimensions are in millimeters (mm)



RJ45/USB Series

Derived from MIL-DTL-38999 Series III

8D - RJ45-USB Series



Description

- Derived from MIL-DTL-38999 Series III
- True ruggedized RJ45 & USB A solution
- High vibration resistance
- Shock resistant
- IP67
- Shielded
- Available in feed through, solder out and pig tail version
- No tools for cabling
- RoHS version

Applications

- Data transmission using standard interface
- Flight data transmissions

Technical features

Mechanical

- **Shell material:**
 - Aluminum alloy
 - Composite
- **Shell plating:**
 - Olive drab cadmium
 - Nickel
 - Olive drab cadmium
 - Nickel
 - Black zinc nickel
 - Zinc cobalt

- **Insert:**
 - Thermoplastic
- **Contacts:**
 - Copper alloy
- **Contacts plating:**
 - Gold
- **Endurance:**
 - Per MIL-DTL-38999, 500 mating cycles
- **Vibration:**
 - 10-500 Hz 20 g

Electrical

- **RJ45:**
 - 10 BaseT, 100 BaseTX and 1000 BaseT
 - Cat 5e per TIA/EIA 568A/B
- **USB:**
 - 10 BaseT and 100 BaseTX
 - Cat 5e per TIA/EIA 568A/B

Climatic

- **Sealing:**
 - IP67 with protective cap
- **Temperature range:**
 - 40°C to +85°C
- **Fluid resistance:**
 - Per MIL-DTL-38999 with protective cap

8D - RJ45-USB Series



Connector part numbers

| | | | | | | | | | |
|---|-----------|----------|----------|-----------|----------|-----------|----------|----------|------------|
| Basic Series | 8D | 0 | F | 17 | W | UA | S | N | ... |
| Shell type: | | | | | | | | | |
| 0: Square flange receptacle | | | | | | | | | |
| 7: Jam nut receptacle (aluminum only) | | | | | | | | | |
| 5: EMI / RFI plug | | | | | | | | | |
| Designator: | | | | | | | | | |
| F: Feedthrough | | | | | | | | | |
| S: Solder out | | | | | | | | | |
| C: Pig tail cable receptacle | | | | | | | | | |
| P: Pig tail cable plug | | | | | | | | | |
| Shell size: | | | | | | | | | |
| 17: USB | | | | | | | | | |
| 19: RJ45 | | | | | | | | | |
| Plating: | | | | | | | | | |
| W: Olive drab cadmium (aluminum) - 500 hours salt spray | | | | | | | | | |
| F: Nickel (aluminum) - 48 hours salt spray | | | | | | | | | |
| J: Olive drab cadmium (composite) - 500 hours salt spray | | | | | | | | | |
| M: Nickel (composite) - 500 hours salt spray | | | | | | | | | |
| Z: Black zinc nickel (aluminum) - 500 hours salt spray | | | | | | | | | |
| ZC: Zinc cobalt - 250 hours salt spray | | | | | | | | | |
| X: No finish (composite) | | | | | | | | | |
| Insert: | | | | | | | | | |
| UA: USB type A | | | | | | | | | |
| RJ: RJ45 | | | | | | | | | |
| Contact style: | | | | | | | | | |
| S: Socket | | | | | | | | | |
| P: Plug | | | | | | | | | |
| Orientation: | | | | | | | | | |
| N, A, B, C, D, E | | | | | | | | | |
| Specification code: | | | | | | | | | |
| Consult us for custom configuration (cable type, length, termination style) | | | | | | | | | |

8D RJ45 Series



Square flange receptacle

Jam nut receptacle

8D USB Series



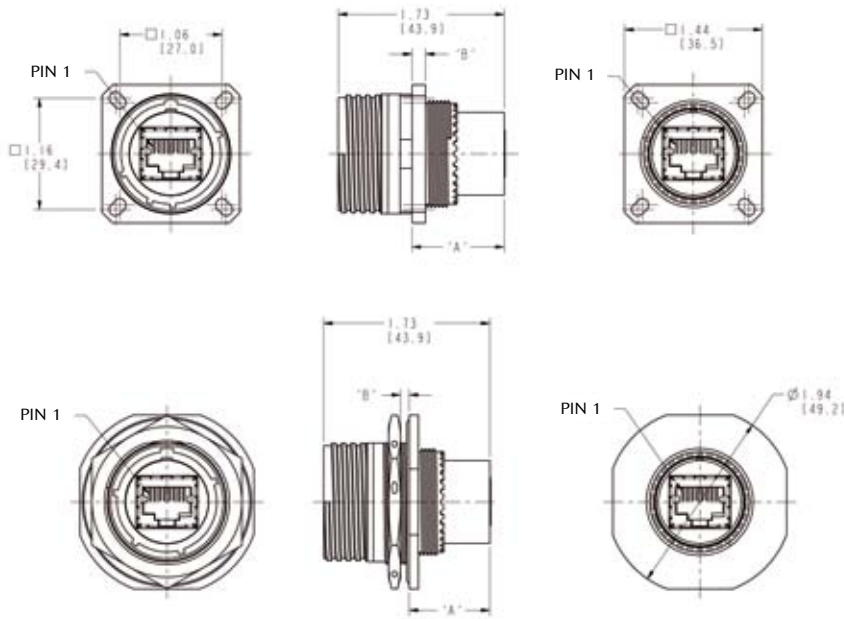
Square flange receptacle

Jam nut receptacle

8D - RJ45-USB Series



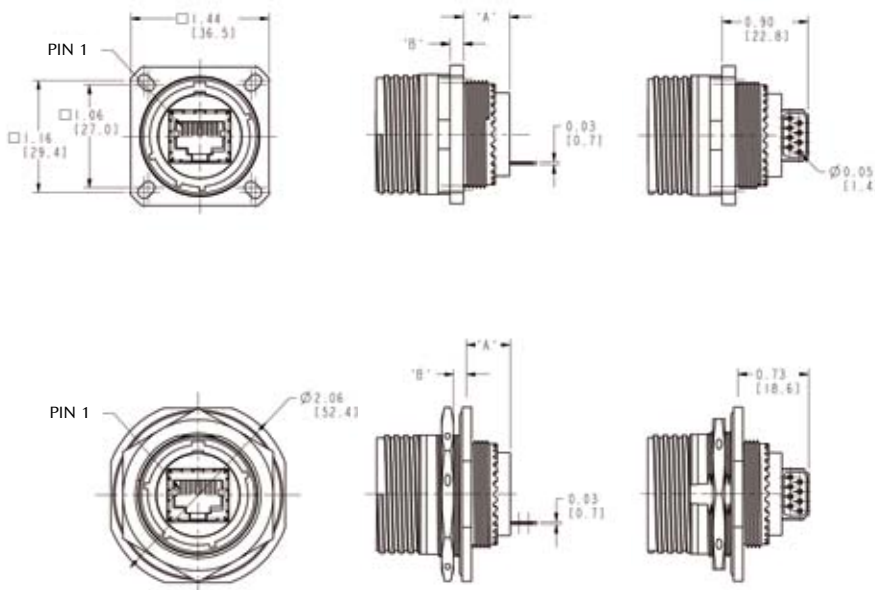
RJ45 interface - Receptacle Feedthrough Series



| Jam nut (max) | | |
|---------------|---------------|--------------|
| Shell type | A | B |
| Aluminum | 0.809 / 20.55 | 0.098 / 2.50 |
| Composite | 0.818 / 20.78 | 0.144 / 3.65 |

| Square flange (max) | | |
|---------------------|---------------|--------------|
| Shell type | A | B |
| Aluminum | 0.840 / 21.34 | 0.126 / 3.20 |

RJ45 interface - Receptacle Solder Out Series



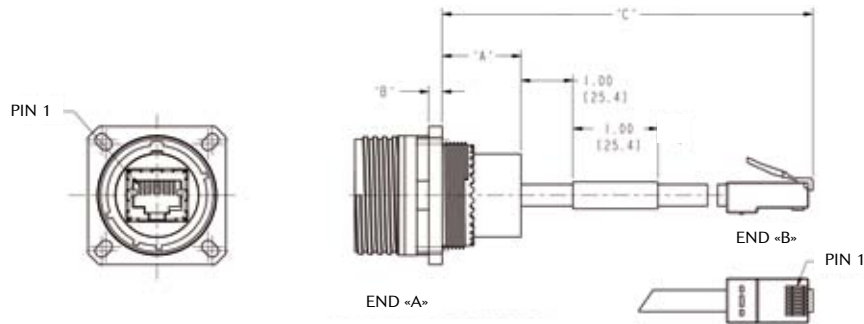
| Square flange (max) | | |
|---------------------|---------------|--------------|
| Shell type | A | B |
| Aluminum | 0.469 / 11.91 | 0.098 / 2.50 |
| Composite | 0.478 / 12.14 | 0.144 / 3.65 |

| Jam nut (max) | | |
|---------------|---------------|--------------|
| Shell type | A | B |
| Aluminum | 0.500 / 12.70 | 0.126 / 3.20 |

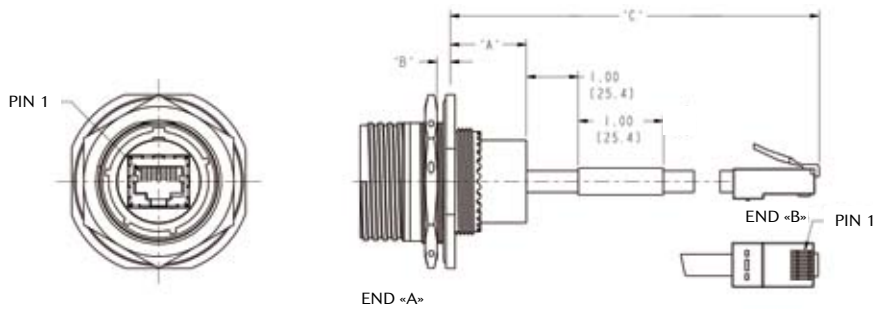
8D - RJ45-USB Series



RJ45 interface - Receptacle Pigtail Series

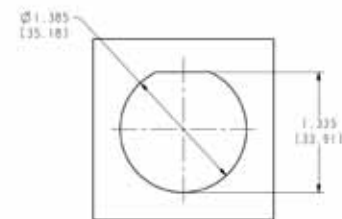
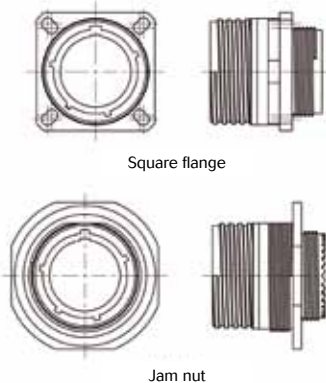


| Square flange (max) | | | |
|---------------------|---------------|--------------|-----------------------------|
| Shell type | A | B | C |
| Aluminum | 0.809 / 20.78 | 0.098 / 2.50 | 12.00 ± 1.00 / 304.8 ± 25.4 |
| Composite | 0.818 / 20.78 | 0.144 / 3.65 | 12.00 ± 1.00 / 304.8 ± 25.4 |

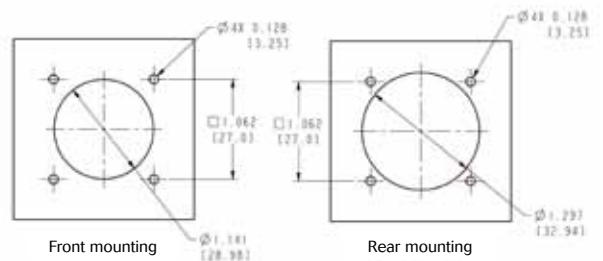


| Jam nut (max) | | | |
|---------------|---------------|--------------|-----------------------------|
| Shell type | A | B | C |
| Aluminum | 0.840 / 21.34 | 0.126 / 3.20 | 12.00 ± 1.00 / 304.8 ± 25.4 |

RJ45 interface - Receptacle Panel Cut Out



Maximum panel thickness for receptacle: 0.126"
Jam nut panel cut out



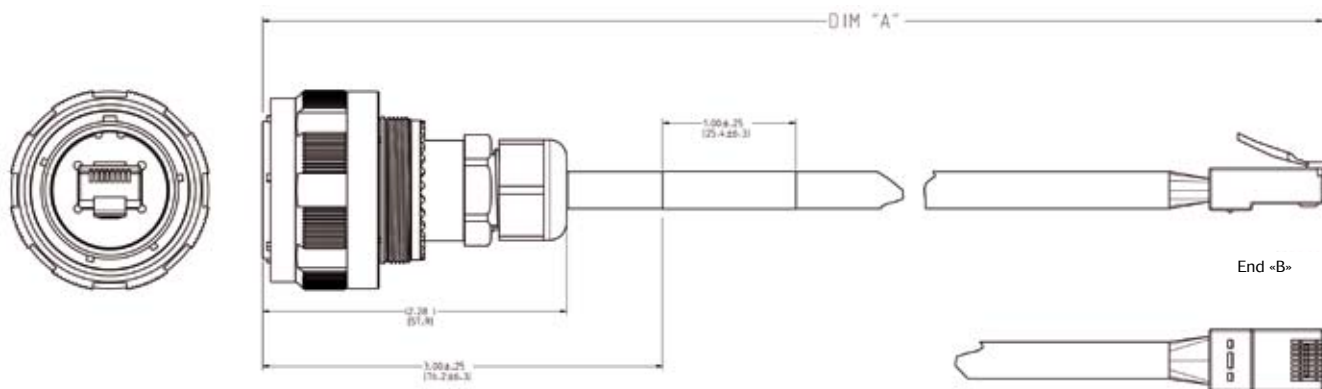
Maximum panel thickness for receptacle:
Front mounting: 0.126" max
Rear mounting: 0.098" max

Square flange panel cut out

8D - RJ45-USB Series



RJ45 interface - Plug

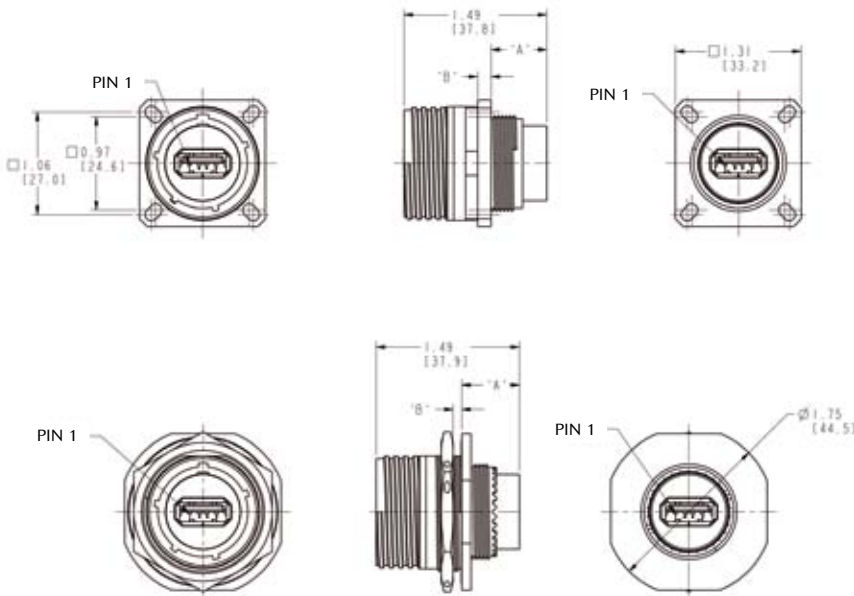


Dimensions: Inch / mm

8D - RJ45-USB Series



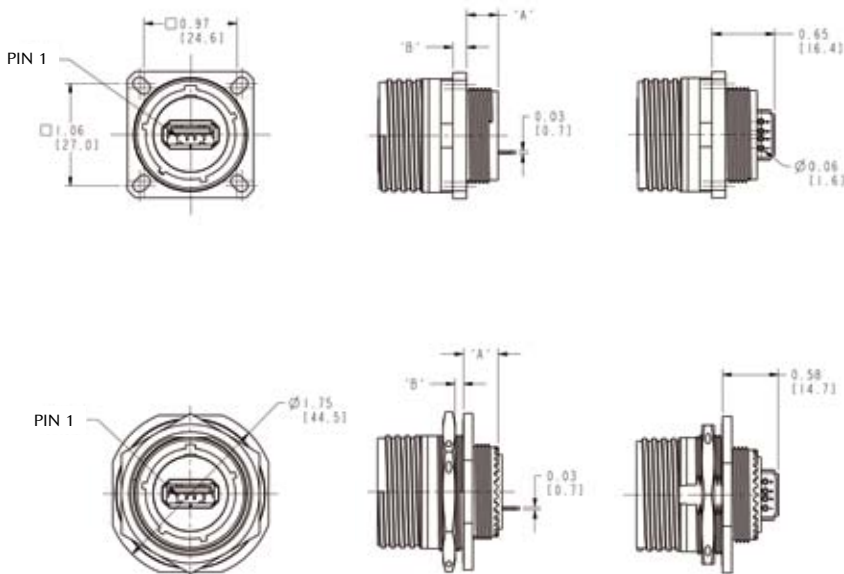
USB interface - Receptacle Feedthrough Series



| Jam nut (max) | | |
|---------------|---------------|--------------|
| Shell type | A | B |
| Aluminum | 0.569 / 14.45 | 0.098 / 2.50 |
| Composite | 0.578 / 14.68 | 0.144 / 3.65 |

| Square flange (max) | | |
|---------------------|---------------|--------------|
| Shell type | A | B |
| Aluminum | 0.600 / 15.24 | 0.126 / 3.20 |

USB interface - Receptacle Solder Out Series



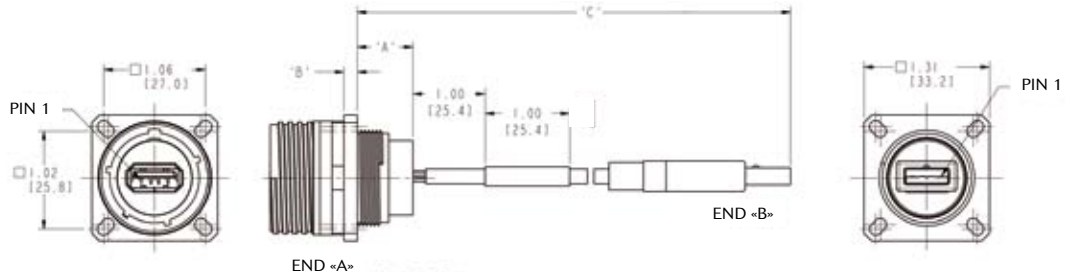
| Square flange (max) | | |
|---------------------|--------------|--------------|
| Shell type | A | B |
| Aluminum | 0.319 / 8.10 | 0.098 / 2.50 |
| Composite | 0.328 / 8.33 | 0.144 / 3.65 |

| Jam nut (max) | | |
|---------------|---------------|--------------|
| Shell type | A | B |
| Aluminum | 0.470 / 11.94 | 0.126 / 3.20 |

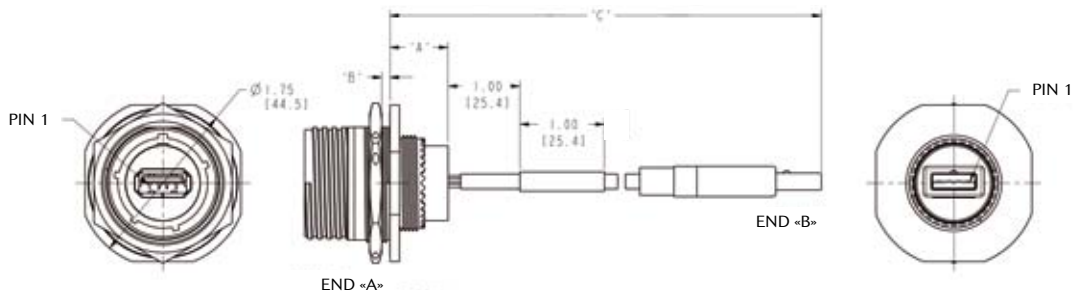
8D - RJ45-USB Series



USB interface - Receptacle Pigtail Series

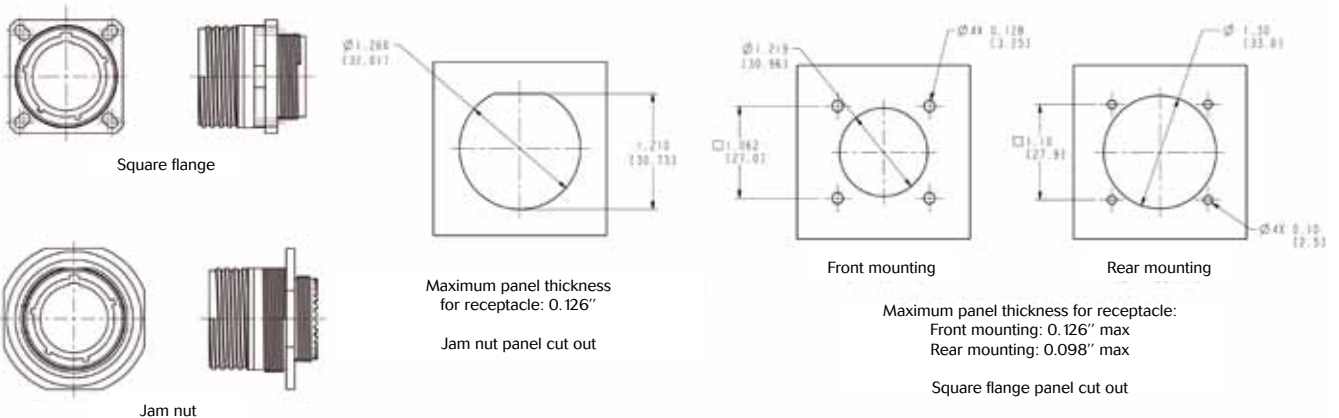


| Square flange (max) | | | |
|---------------------|---------------|--------------|-----------------------------|
| Shell type | A | B | C |
| Aluminum | 0.596 / 14.45 | 0.098 / 2.50 | 12.00 ± 1.00 / 304.8 ± 25.4 |
| Composite | 0.578 / 14.68 | 0.144 / 3.65 | 12.00 ± 1.00 / 304.8 ± 25.4 |



| Jam nut (max) | | | |
|---------------|---------------|--------------|-----------------------------|
| Shell type | A | B | C |
| Aluminum | 0.600 / 15.24 | 0.126 / 3.20 | 12.00 ± 1.00 / 304.8 ± 25.4 |

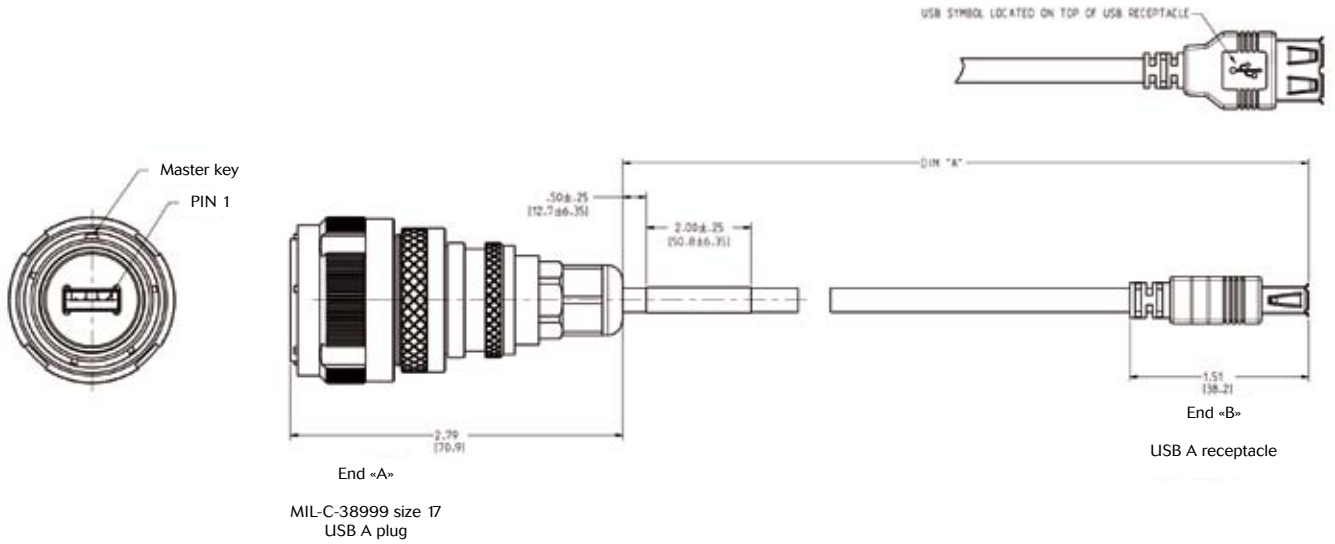
USB interface - Receptacle Panel Cut Out



8D - RJ45-USB Series



USB interface - Plug



Dimensions: Inch / mm



Products range extension

8D8 / 8D9 Series

- MIL-DTL-38999 layouts and contacts
- MIL-DTL-38999 Series electric performances
- Scoop proof
- Easy mating (push mating)
- Connection in restricted space
- High vibration performance
- Compatible with standard backshells 38999 Series III
- Push Pull plug (8D8) or Push Pull plug lanyard release (8D9) available
- Lanyard release: quick disconnect with angle of separation



8DB Bulkhead Feedthrough

- “Double Receptacle” mounted on panel allows cable plug connexion on both sides of the bulkhead
- All 38999 Series III features integrated in feedthrough design
- Scoop proof
- Create a permanent sealed barrier on your panel: suitable for pressurized or depressurized areas
- Reinforced sealing - special insulator design
- Easy and reliable maintenance: time saving and low risk during maintenance
- Hermetic glass fused version available





Products range extension

8D Hermetic ELIO® Feedthrough

- The first truly hermetic aluminum 38999 fiber optic feedthrough
- Leak rate $< 10^{-9}$ atm.cm³/s
- Weight saving: aluminum shell save 30 to 40% of weight vs stainless steel
- Single and multi way: unique multiway hermetic fiber optic feedthrough in the world
- Intermateable with Souriau's ELIO® connectors:
 - Airbus A380 spec ABS1379 qualified
 - Intermateable with ARINC 801 and EN4531 standards



8D Hermetic Aluminum 38999 Power and Signal Connector

- The unique connecting solution offering hermeticity, great conductivity and mass saving all at once: Ideal for power applications
- Truly hermetic : Leak rate $< 10^{-9}$ atm.cm³/s
- Weight saving : save 30 to 40% of weight vs stainless steel
- Outstanding conductivity : Conductivity 5 times better than regular Fe/Ni contacts



Coordinates For Straight PC Tail Terminations



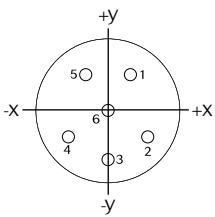
Cavity identification

Viewed from front face of male insulator

Hole sizes: 1mm min. (#22 and #20 contacts) and 1.3mm min. (#16 contact) coordinates in mm.

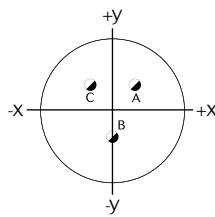
09 / A

35



| Contact | Coordinates | |
|---------|-------------|-------|
| | X | Y |
| 1 | +1.14 | +1.98 |
| 2 | +1.98 | -1.14 |
| 3 | 0.00 | -2.29 |
| 4 | -1.98 | -1.14 |
| 5 | -1.14 | +1.98 |
| 6 | 0.00 | 0.00 |

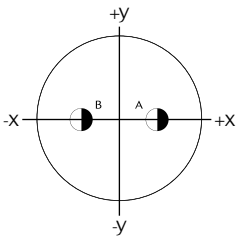
98



| Contact | Coordinates | |
|---------|-------------|-------|
| | X | Y |
| A | +1.65 | +0.97 |
| B | 0.00 | -1.90 |
| C | -1.65 | +0.97 |

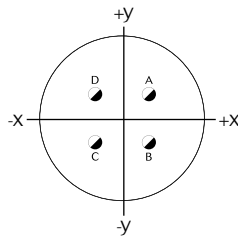
11 / B

02



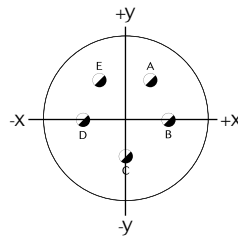
| Contact | Coordinates | |
|---------|-------------|-------|
| | X | Y |
| A | 0.00 | +2.41 |
| B | 0.00 | -2.41 |

04



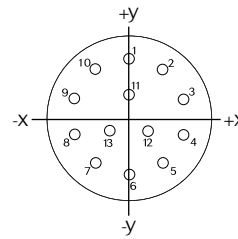
| Contact | Coordinates | |
|---------|-------------|-------|
| | X | Y |
| A | +1.65 | +1.65 |
| B | +1.65 | -1.65 |
| C | -1.65 | -1.65 |
| D | -1.65 | +1.65 |

05



| Contact | Coordinates | |
|---------|-------------|-------|
| | X | Y |
| A | +1.65 | +1.42 |
| B | +2.86 | -1.65 |
| C | 0.00 | -3.30 |
| D | -2.86 | -1.65 |
| E | -1.65 | +1.42 |

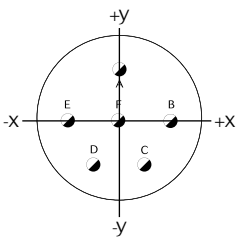
35



| Contact | Coordinates | |
|---------|-------------|-------|
| | X | Y |
| 1 | 0.00 | +3.71 |
| 2 | +2.16 | +3.00 |
| 3 | +3.50 | +1.14 |
| 4 | +3.50 | -1.14 |
| 5 | +2.16 | -2.99 |
| 6 | 0.00 | -3.71 |
| 7 | -2.16 | -2.99 |

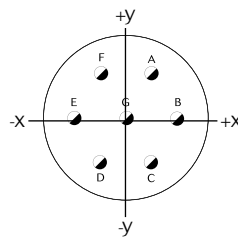
| Contact | Coordinates | |
|---------|-------------|-------|
| | X | Y |
| 8 | -3.50 | -1.14 |
| 9 | -3.50 | +1.14 |
| 10 | -2.16 | +2.99 |
| 11 | 0.00 | +1.42 |
| 12 | +1.24 | -0.89 |
| 13 | -1.24 | -0.89 |

98



| Contact | Coordinates | |
|---------|-------------|-------|
| | X | Y |
| A | 0.00 | +3.30 |
| B | +3.30 | 0.00 |
| C | +1.65 | -2.87 |
| D | -1.65 | -2.87 |
| E | -3.30 | 0.00 |
| F | 0.00 | 0.00 |

99



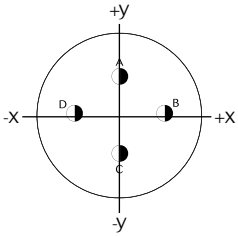
| Contact | Coordinates | |
|---------|-------------|-------|
| | X | Y |
| A | +1.65 | +2.85 |
| B | +3.30 | 0.00 |
| C | +1.65 | -2.87 |
| D | -1.65 | -2.87 |
| E | -3.30 | 0.00 |
| F | -1.65 | +2.87 |
| G | 0.00 | 0.00 |

Coordinates For Straight PC Tail Terminations



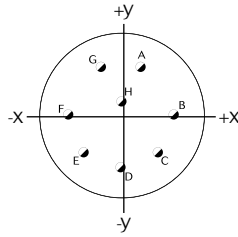
13 / C

04



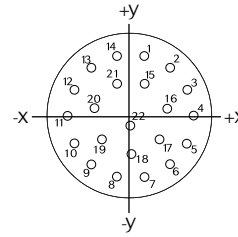
| Contact | Coordinates | |
|---------|-------------|-------|
| | X | Y |
| A | 0.00 | +3.81 |
| B | +3.71 | +0.89 |
| C | 0.00 | -2.11 |
| D | -3.71 | -0.89 |

08



| Contact | Coordinates | |
|---------|-------------|-------|
| | X | Y |
| A | +1.65 | +3.99 |
| B | +4.32 | 0.00 |
| C | +3.05 | -3.05 |
| D | 0.00 | -4.32 |
| E | -3.05 | -3.05 |
| F | -4.32 | 0.00 |
| G | -1.65 | +3.99 |
| H | 0.00 | +1.12 |

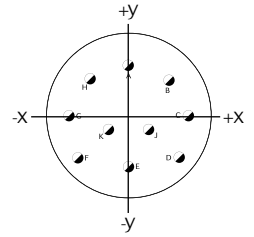
35



| Contact | Coordinates | |
|---------|-------------|-------|
| | X | Y |
| 1 | +1.14 | +5.00 |
| 2 | +3.20 | +4.01 |
| 3 | +4.62 | +2.24 |
| 4 | +5.15 | 0.00 |
| 5 | +4.62 | -2.24 |
| 6 | +3.20 | -4.01 |
| 7 | +1.14 | -5.00 |
| 8 | -1.14 | -5.00 |
| 9 | -3.20 | -4.01 |
| 10 | -4.62 | -2.24 |
| 11 | -5.15 | 0.00 |

| Contact | Coordinates | |
|---------|-------------|-------|
| | X | Y |
| 12 | -4.62 | +2.24 |
| 13 | -3.20 | +4.01 |
| 14 | -1.14 | +5.00 |
| 15 | +1.14 | +2.72 |
| 16 | +2.97 | +0.66 |
| 17 | +2.36 | -1.91 |
| 18 | 0.00 | -3.05 |
| 19 | -2.36 | -1.91 |
| 20 | -2.97 | +0.66 |
| 21 | -1.14 | +2.72 |
| 22 | 0.00 | -0.76 |

98



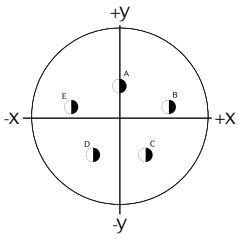
| Contact | Coordinates | |
|---------|-------------|-------|
| | X | Y |
| A | 0.00 | +4.95 |
| B | +3.81 | +3.80 |
| C | +4.90 | +0.76 |
| D | +4.16 | -2.67 |
| E | 0.00 | -3.43 |
| F | -4.16 | -2.67 |
| G | -4.90 | +0.76 |
| H | -3.81 | +3.80 |
| J | +1.65 | -0.38 |
| K | -1.65 | -0.38 |

Coordinates For Straight PC Tail Terminations



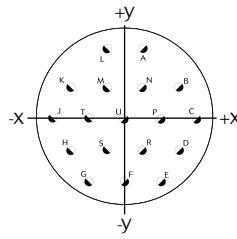
15 / D

05



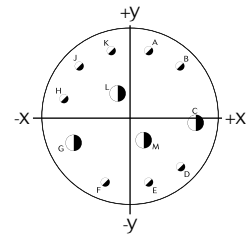
| Contact | Coordinates | |
|---------|-------------|-------|
| | X | Y |
| A | 0 | +2.54 |
| B | +4.42 | +0.61 |
| C | +2.39 | +3.76 |
| D | -2.39 | -3.76 |
| E | -4.42 | +0.61 |

18



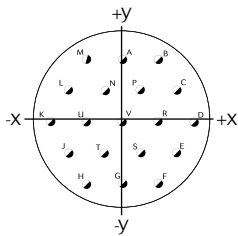
| Contact | Coordinates | |
|---------|-------------|-------|
| | X | Y |
| A | +1.65 | +6.40 |
| B | +4.95 | +2.87 |
| C | +6.60 | 0.00 |
| D | +4.95 | -2.87 |
| E | +3.30 | -5.72 |
| F | 0.00 | -5.72 |
| G | -3.30 | -5.72 |
| H | -4.95 | -2.87 |
| J | -6.60 | 0.00 |
| K | -4.95 | +2.87 |

97



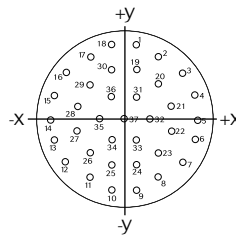
| Contact | Coordinates | |
|---------|-------------|-------|
| | X | Y |
| A | +1.65 | +5.94 |
| B | +4.52 | +4.52 |
| C | +5.84 | -0.58 |
| D | +4.52 | -4.52 |
| E | +1.65 | -5.94 |
| F | -2.26 | -5.97 |
| G | -5.26 | -2.41 |
| H | -5.94 | +1.65 |
| J | -4.52 | +4.52 |
| K | -1.65 | +5.94 |
| L | -1.19 | +2.06 |
| M | +1.19 | -2.06 |

19



| Contact | Coordinates | |
|---------|-------------|-------|
| | X | Y |
| A | 0.00 | +5.72 |
| B | +3.30 | +5.72 |
| C | +4.95 | +2.72 |
| D | +6.60 | 0.00 |
| E | +4.95 | -2.87 |
| F | +3.30 | -5.72 |
| G | 0.00 | -5.72 |
| H | -3.30 | -5.72 |
| J | -4.95 | -2.87 |
| K | -6.60 | 0.00 |
| L | -4.95 | +2.87 |
| M | -3.30 | +5.72 |
| N | -1.65 | +2.87 |
| P | +1.65 | +2.87 |
| R | +3.30 | 0.00 |
| S | +1.65 | -2.87 |
| T | -1.65 | -2.87 |
| U | -3.30 | 0.00 |
| V | 0.00 | 0.00 |

35



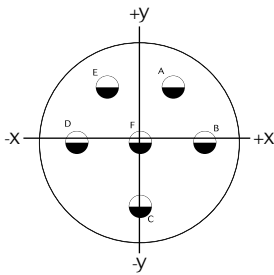
| Contact | Coordinates | |
|---------|-------------|-------|
| | X | Y |
| 1 | +1.14 | +6.65 |
| 2 | +3.12 | +5.51 |
| 3 | +5.36 | +4.06 |
| 4 | +6.45 | +2.03 |
| 5 | +6.76 | -0.25 |
| 6 | +6.27 | -2.49 |
| 7 | +5.08 | -4.44 |
| 8 | +3.30 | -5.89 |
| 9 | +1.14 | -6.65 |
| 10 | -1.14 | -6.65 |
| 11 | -3.30 | -5.89 |
| 12 | -5.08 | -4.45 |
| 13 | -6.27 | -2.49 |
| 14 | -6.76 | -0.25 |
| 15 | -6.45 | +2.03 |
| 16 | -5.36 | +4.06 |
| 17 | -3.12 | +5.51 |
| 18 | -1.14 | +6.65 |
| 19 | +1.14 | +4.37 |
| 20 | +3.12 | +3.02 |
| 21 | +4.32 | +1.02 |
| 22 | +4.32 | -1.27 |
| 23 | +3.12 | -3.23 |
| 24 | +1.14 | -4.37 |
| 25 | -1.14 | -4.37 |
| 26 | -3.12 | -3.23 |
| 27 | -4.32 | -1.27 |
| 28 | -4.32 | +1.02 |
| 29 | -3.12 | +3.02 |
| 30 | -1.14 | +4.37 |
| 31 | +1.14 | +1.88 |
| 32 | +2.29 | -0.10 |
| 33 | +1.14 | -2.08 |
| 34 | -1.14 | -2.08 |
| 35 | -2.29 | -0.10 |
| 36 | -1.14 | +1.88 |
| 37 | 0.00 | -0.10 |

Coordinates For Straight PC Tail Terminations



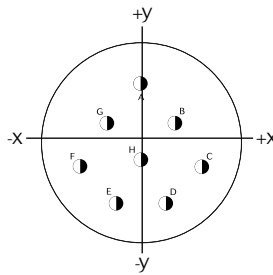
17 / E

06



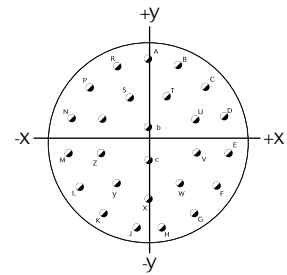
| Contact | Coordinates | |
|---------|-------------|-------|
| | X | Y |
| A | +1.21 | +0.21 |
| B | +0.24 | 0.00 |
| C | 0.00 | -0.24 |
| D | -0.24 | 0.00 |
| E | -0.12 | +0.21 |
| F | 0.00 | 0.00 |

08



| Contact | Coordinates | |
|---------|-------------|-------|
| | X | Y |
| A | 0.00 | +5.99 |
| B | +3.25 | +2.18 |
| C | +5.84 | -1.98 |
| D | +2.39 | -5.49 |
| E | -2.39 | -5.49 |
| F | -5.84 | -1.98 |
| G | -3.25 | +2.18 |
| H | 0.00 | -1.32 |

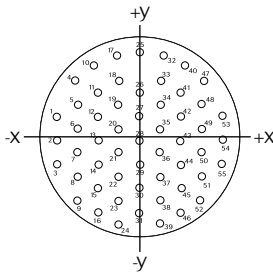
26



| Contact | Coordinates | |
|---------|-------------|-------|
| | X | Y |
| A | 0.00 | +8.15 |
| B | +3.33 | +7.44 |
| C | +6.07 | +5.44 |
| D | +7.75 | +2.51 |
| E | +8.10 | -0.86 |
| F | +7.06 | -4.09 |
| G | +4.80 | -6.60 |
| H | +1.70 | -7.98 |
| J | -1.70 | -7.98 |
| K | -4.80 | -6.60 |
| L | -7.06 | -4.09 |
| M | -8.10 | -0.86 |
| N | -7.75 | +2.51 |

| Contact | Coordinates | |
|---------|-------------|-------|
| | X | Y |
| P | -6.07 | +5.44 |
| R | -3.33 | +7.44 |
| S | -1.78 | +4.50 |
| T | +1.78 | +4.50 |
| U | +4.45 | +2.39 |
| V | +4.53 | +0.91 |
| W | +3.02 | -3.84 |
| X | 0.00 | -5.16 |
| Y | -3.02 | -3.84 |
| Z | -4.53 | -0.91 |
| a | -4.45 | +2.39 |
| b | 0.00 | +1.65 |
| c | 0.00 | -1.65 |

35

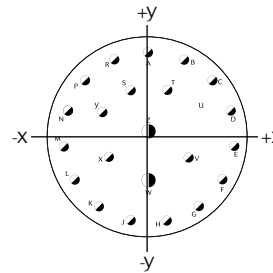


| Contact | Coordinates | |
|---------|-------------|-------|
| | X | Y |
| 1 | -7.92 | +2.18 |
| 2 | -7.92 | -0.10 |
| 3 | -7.92 | -2.39 |
| 4 | -6.15 | +5.61 |
| 5 | -5.94 | +3.33 |
| 6 | -5.94 | +1.04 |
| 7 | -5.94 | -1.24 |
| 8 | -5.94 | -3.53 |
| 9 | -5.94 | -5.82 |
| 10 | -4.37 | +7.09 |
| 11 | -3.96 | +4.47 |
| 12 | -3.96 | +2.18 |
| 13 | -3.96 | -0.10 |

| Contact | Coordinates | |
|---------|-------------|-------|
| | X | Y |
| 14 | -3.96 | -2.39 |
| 15 | -3.96 | -4.67 |
| 16 | -3.96 | -6.96 |
| 17 | -2.26 | +8.03 |
| 18 | -1.98 | +5.61 |
| 19 | -1.98 | +3.33 |
| 20 | -1.98 | +1.04 |
| 21 | -1.98 | -1.24 |
| 22 | -1.98 | -3.53 |
| 23 | -1.98 | -5.82 |
| 24 | -1.98 | -8.10 |
| 25 | 0.00 | +8.36 |
| 26 | 0.00 | +4.47 |

| Contact | Coordinates | |
|---------|-------------|-------|
| | X | Y |
| 27 | 0.00 | +2.18 |
| 28 | 0.00 | -0.10 |
| 29 | 0.00 | -2.39 |
| 30 | 0.00 | -4.67 |
| 31 | 0.00 | -6.96 |
| 32 | +2.26 | +8.03 |
| 33 | +1.98 | +5.61 |
| 34 | +1.98 | +3.33 |
| 35 | +1.98 | +1.04 |
| 36 | +1.98 | -1.24 |
| 37 | +1.98 | -3.53 |
| 38 | +1.98 | -5.82 |
| 39 | +1.98 | -8.10 |
| 40 | +4.37 | +7.09 |
| 41 | +3.96 | +4.47 |
| 42 | +3.96 | +2.18 |
| 43 | +3.96 | -0.10 |
| 44 | +3.96 | -2.39 |
| 45 | +3.96 | -4.67 |
| 46 | +3.96 | -6.96 |
| 47 | +6.15 | +5.61 |
| 48 | +5.94 | +3.33 |
| 49 | +5.94 | +1.04 |
| 50 | +5.94 | -1.24 |
| 51 | +5.94 | -3.53 |
| 52 | +5.94 | -5.82 |
| 53 | +7.92 | +2.18 |
| 54 | +7.92 | -0.10 |
| 55 | +7.92 | -2.39 |

99



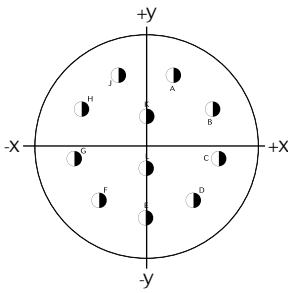
| Contact | Coordinates | |
|---------|-------------|-------|
| | X | Y |
| A | 0.00 | +8.15 |
| B | +3.33 | +7.44 |
| C | +6.07 | +5.44 |
| D | +7.75 | +2.51 |
| E | +8.10 | -0.86 |
| F | +7.06 | -4.09 |
| G | +4.80 | -6.60 |
| H | +1.70 | -7.98 |
| J | -1.70 | -7.98 |
| K | -4.80 | -6.60 |
| L | -7.06 | -4.09 |
| M | -8.10 | -0.86 |
| N | -7.75 | +2.51 |
| P | -6.07 | +5.44 |
| R | -3.33 | +7.44 |
| S | -1.78 | +4.50 |
| T | +1.78 | +4.50 |
| U | +4.45 | +2.39 |
| V | +3.81 | -1.91 |
| W | 0.00 | -4.09 |
| X | -3.81 | -1.91 |
| Y | -4.45 | +2.39 |
| Z | 0.00 | +0.64 |

Coordinates For Straight PC Tail Terminations



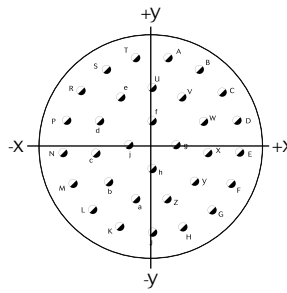
19 / F

11



| Contact | Coordinates | |
|---------|-------------|-------|
| | X | Y |
| A | +2.67 | +6.60 |
| B | +6.35 | +3.35 |
| C | +6.99 | -1.35 |
| D | +4.55 | -5.46 |
| E | 0.00 | -7.14 |
| F | -4.55 | -5.46 |
| G | -6.99 | -1.35 |
| H | -6.35 | +3.35 |
| J | -2.67 | +6.60 |
| K | 0.00 | +2.67 |
| L | 0.00 | -2.34 |

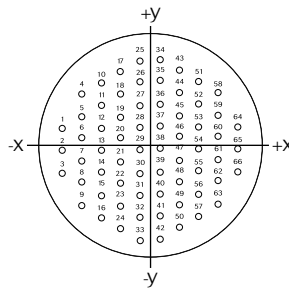
32



| Contact | Coordinates | |
|---------|-------------|-------|
| | X | Y |
| A | +1.68 | +8.97 |
| B | +4.80 | +7.75 |
| C | +7.26 | +5.51 |
| D | +8.76 | +2.49 |
| E | +9.07 | -0.84 |
| F | +8.15 | -4.06 |
| G | +6.15 | -6.73 |
| H | +3.30 | -8.51 |
| J | 0.00 | -9.12 |
| K | -3.30 | -8.51 |
| L | -6.15 | -6.73 |
| M | -8.15 | -4.06 |
| N | -9.07 | -0.84 |
| P | -8.76 | +2.49 |
| R | -7.26 | +5.51 |
| S | -4.80 | +7.75 |

| Contact | Coordinates | |
|---------|-------------|-------|
| | X | Y |
| T | -1.68 | +8.97 |
| U | 0.00 | +5.84 |
| V | +3.15 | +4.90 |
| W | +5.31 | +2.41 |
| X | +5.79 | -0.84 |
| Y | +4.42 | -3.84 |
| Z | +1.65 | -5.61 |
| a | -1.65 | -5.61 |
| b | -4.42 | -3.84 |
| c | -5.79 | -0.84 |
| d | -5.31 | +2.41 |
| e | -3.15 | +4.90 |
| f | 0.00 | +2.44 |
| g | +2.44 | 0.00 |
| h | 0.00 | -2.44 |
| j | -2.44 | 0.00 |

35



| Contact | Coordinates | |
|---------|-------------|-------|
| | X | Y |
| 35 | +1.14 | +6.86 |
| 36 | +1.14 | +4.57 |
| 37 | +1.14 | +2.29 |
| 38 | +1.14 | 0.00 |
| 39 | +1.14 | -2.29 |
| 40 | +1.14 | -4.57 |
| 41 | +1.14 | -6.86 |
| 42 | +1.14 | -9.14 |
| 43 | +3.12 | +8.00 |
| 44 | +3.12 | +5.72 |
| 45 | +3.12 | +3.43 |
| 46 | +3.12 | +1.14 |
| 47 | +3.12 | -1.14 |
| 48 | +3.12 | -3.43 |
| 49 | +3.12 | -5.72 |
| 50 | +3.12 | -8.00 |
| 51 | +5.11 | +6.86 |
| 52 | +5.11 | +4.57 |
| 53 | +5.11 | +2.29 |
| 54 | +5.11 | 0.00 |
| 55 | +5.11 | -2.29 |
| 56 | +5.11 | -4.57 |
| 57 | +5.11 | -6.86 |
| 58 | +7.09 | +5.72 |
| 59 | +7.09 | +3.43 |
| 60 | +7.09 | +1.14 |
| 61 | +7.09 | -1.14 |
| 62 | +7.09 | -3.43 |
| 63 | +7.09 | -5.72 |
| 64 | +9.07 | +2.29 |
| 65 | +9.07 | 0.00 |
| 66 | +9.07 | -2.29 |

| Contact | Coordinates | |
|---------|-------------|-------|
| | X | Y |
| 1 | -9.07 | +2.29 |
| 2 | -9.07 | 0.00 |
| 3 | -9.07 | -2.29 |
| 4 | -7.09 | +5.72 |
| 5 | -7.09 | +3.43 |
| 6 | -7.09 | +1.14 |
| 7 | -7.09 | -1.14 |
| 8 | -7.09 | -3.43 |
| 9 | -7.09 | -5.72 |
| 10 | -5.11 | +6.86 |
| 11 | -5.11 | +4.57 |
| 12 | -5.11 | +2.29 |
| 13 | -5.11 | 0.00 |
| 14 | -5.11 | -2.29 |
| 15 | -5.11 | -4.57 |
| 16 | -5.11 | -6.86 |
| 17 | -3.12 | +8.00 |

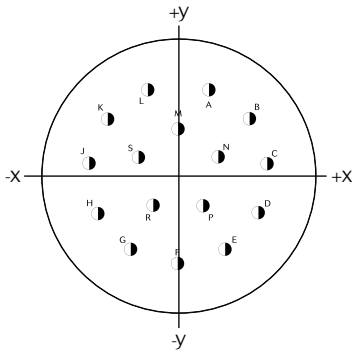
| Contact | Coordinates | |
|---------|-------------|-------|
| | X | Y |
| 18 | +3.12 | +5.72 |
| 19 | -3.12 | +3.43 |
| 20 | -3.12 | +1.14 |
| 21 | -3.12 | -1.14 |
| 22 | -3.12 | -3.43 |
| 23 | -3.12 | -5.72 |
| 24 | -3.12 | -8.00 |
| 25 | -1.14 | +9.14 |
| 26 | -1.14 | +6.86 |
| 27 | -1.14 | +4.57 |
| 28 | -1.14 | +2.29 |
| 29 | -1.14 | 0.00 |
| 30 | -1.14 | -2.29 |
| 31 | -1.14 | -4.57 |
| 32 | -1.14 | -6.86 |
| 33 | -1.14 | -9.14 |
| 34 | +1.14 | +9.14 |

Coordinates For Straight PC Tail Terminations



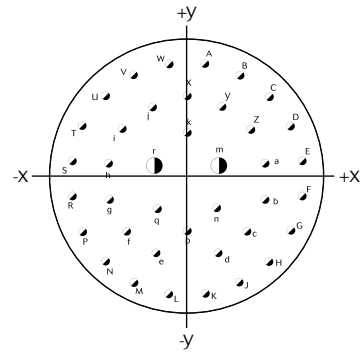
21 / G

16



| Contact | Coordinates | |
|---------|-------------|--------|
| | X | Y |
| A | +3.00 | +8.18 |
| B | +6.88 | +5.36 |
| C | +8.66 | +0.914 |
| D | +7.82 | -3.81 |
| E | +4.62 | -7.37 |
| F | 0.00 | -8.71 |
| G | -4.62 | -7.37 |
| H | -7.82 | -3.81 |
| J | -8.66 | +0.91 |
| K | -6.88 | +5.36 |
| L | -3.00 | +8.18 |
| M | 0.00 | +4.45 |
| N | +3.91 | +1.57 |
| P | +2.39 | -3.10 |
| R | -2.39 | -3.10 |
| S | -3.91 | +1.57 |

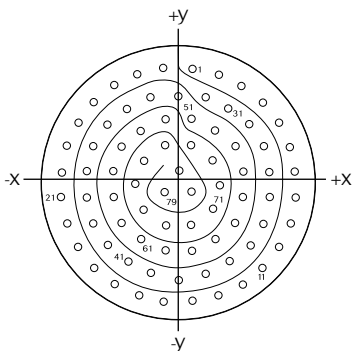
39



| Contact | Coordinates | |
|---------|-------------|--------|
| | X | Y |
| A | +1.65 | +10.44 |
| B | +4.80 | +9.42 |
| C | +7.47 | +7.47 |
| D | +9.42 | +4.80 |
| E | +10.44 | +1.65 |
| F | +10.44 | -1.65 |
| G | +9.42 | -4.80 |
| H | +7.47 | -7.47 |
| J | +4.80 | -9.42 |
| K | +1.65 | -10.44 |
| L | -1.65 | -10.44 |
| M | -4.80 | -9.42 |
| N | -7.47 | -7.47 |
| P | -9.42 | -4.80 |
| R | -10.44 | -1.65 |
| S | -10.44 | +1.65 |
| T | -9.42 | +4.80 |
| U | -7.47 | +7.47 |
| V | -4.80 | +9.42 |
| W | -1.65 | +10.44 |

| Contact | Coordinates | |
|---------|-------------|-------|
| | X | Y |
| X | 0.00 | +7.49 |
| Y | +3.20 | +6.50 |
| Z | +5.89 | +4.55 |
| a | +7.11 | +1.45 |
| b | +7.11 | -1.88 |
| c | +5.51 | -4.80 |
| d | +2.84 | -6.73 |
| e | -2.84 | -6.73 |
| f | -5.51 | -4.80 |
| g | -7.11 | -1.88 |
| h | -7.11 | +1.45 |
| i | -5.89 | +4.55 |
| j | -3.20 | +6.50 |
| k | 0.00 | +4.17 |
| m | +2.90 | +1.22 |
| n | +2.69 | -2.72 |
| p | 0.00 | -4.80 |
| q | -2.69 | -2.72 |
| r | -2.90 | +1.22 |

35

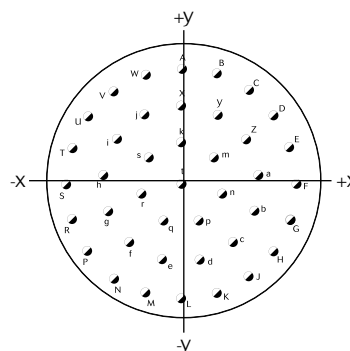


| Contact | Coordinates | |
|---------|-------------|-------|
| | X | Y |
| 41 | -2.49 | -8.18 |
| 42 | -4.67 | -7.11 |
| 43 | -6.55 | -5.59 |
| 44 | -7.90 | -3.58 |
| 45 | -8.43 | -1.22 |
| 46 | -8.43 | +1.22 |
| 47 | -7.90 | +3.58 |
| 48 | -6.55 | +5.59 |
| 49 | -4.67 | +7.11 |
| 50 | -2.49 | +8.18 |
| 51 | -1.22 | +6.12 |
| 52 | +1.22 | +6.12 |
| 53 | +3.40 | +5.05 |
| 54 | +5.28 | +3.53 |
| 55 | +6.02 | +1.22 |
| 56 | +6.02 | -1.22 |
| 57 | +5.28 | -3.53 |
| 58 | +3.40 | -5.05 |
| 59 | +1.22 | -6.12 |
| 60 | -1.22 | -6.12 |
| 61 | -3.40 | -5.05 |
| 62 | -5.28 | -3.53 |
| 63 | -6.02 | -1.22 |
| 64 | -6.02 | +1.22 |
| 65 | -5.28 | +3.53 |
| 66 | -3.40 | +5.05 |
| 67 | -1.22 | +3.71 |
| 68 | +1.22 | +3.71 |
| 69 | +3.18 | +2.29 |
| 70 | +3.94 | 0.00 |
| 71 | +3.18 | -2.29 |
| 72 | +1.22 | -3.71 |
| 73 | -1.22 | -3.71 |
| 74 | -3.18 | -2.29 |
| 75 | -3.94 | 0.00 |
| 76 | -3.18 | +2.29 |
| 77 | 0.00 | +1.35 |
| 78 | +1.22 | -0.74 |
| 79 | -1.22 | -0.74 |

| Contact | Coordinates | |
|---------|-------------|--------|
| | X | Y |
| 1 | +1.35 | +10.82 |
| 2 | +3.71 | +10.26 |
| 3 | +5.89 | +9.19 |
| 4 | +7.77 | +7.67 |
| 5 | +9.27 | +5.77 |
| 6 | +10.31 | +3.58 |
| 7 | +10.85 | +1.22 |
| 8 | +10.85 | -1.22 |
| 9 | +10.31 | -3.58 |
| 10 | +9.27 | -5.77 |
| 11 | +7.77 | -7.67 |
| 12 | +5.89 | -9.19 |
| 13 | +3.71 | -10.26 |
| 14 | +1.35 | -10.82 |
| 15 | -1.35 | -10.82 |
| 16 | -3.71 | -10.26 |
| 17 | -5.89 | -9.19 |
| 18 | -7.77 | -7.67 |
| 19 | -9.27 | -5.77 |
| 20 | -10.31 | -3.58 |

| Contact | Coordinates | |
|---------|-------------|--------|
| | X | Y |
| 21 | -10.85 | -1.22 |
| 22 | -10.85 | +1.22 |
| 23 | -10.31 | +3.58 |
| 24 | -9.27 | +5.77 |
| 25 | -7.77 | +7.67 |
| 26 | -5.89 | +9.19 |
| 27 | -3.71 | +10.26 |
| 28 | -1.35 | +10.82 |
| 29 | 0.00 | +8.20 |
| 30 | +2.49 | +8.18 |
| 31 | +4.67 | +7.11 |
| 32 | +6.55 | +5.59 |
| 33 | +7.90 | +3.58 |
| 34 | +8.43 | +1.22 |
| 35 | +8.43 | -1.22 |
| 36 | +7.90 | -3.58 |
| 37 | +6.55 | -5.59 |
| 38 | +4.67 | -7.11 |
| 39 | +2.49 | -8.18 |
| 40 | 0.00 | -8.81 |

41



| Contact | Coordinates | |
|---------|-------------|--------|
| | X | Y |
| A | 0.00 | +10.60 |
| B | +3.28 | +10.09 |
| C | +6.23 | +8.58 |
| D | +8.58 | +6.23 |
| E | +10.09 | +3.28 |
| F | +10.60 | 0.00 |
| G | +10.09 | -3.28 |
| H | +8.58 | -6.23 |

| Contact | Coordinates | |
|---------|-------------|--------|
| | X | Y |
| J | +6.23 | -8.58 |
| K | +3.28 | -10.09 |
| L | 0.00 | -10.60 |
| M | -3.28 | -10.09 |
| N | -6.23 | -8.58 |
| P | -8.58 | -6.23 |
| R | -10.09 | -3.28 |
| S | -10.60 | 0.00 |

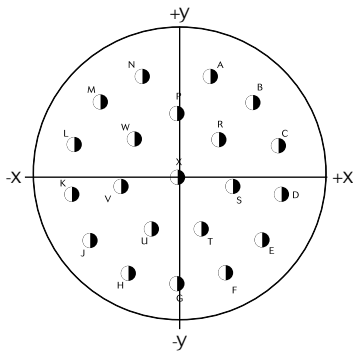
| Contact | Coordinates | |
|---------|-------------|--------|
| | X | Y |
| T | -10.09 | +3.28 |
| U | -8.58 | +6.23 |
| V | -6.23 | +8.58 |
| W | -3.28 | +10.09 |
| X | 0.00 | +7.20 |
| Y | +3.35 | +6.38 |
| Z | +5.92 | +4.09 |
| a | +7.15 | +0.87 |
| b | +6.73 | -2.55 |
| c | +4.78 | -5.39 |
| d | +1.73 | -6.99 |
| e | -1.73 | -6.99 |
| f | -4.78 | -5.39 |
| g | -6.73 | -2.55 |
| h | -7.15 | +0.87 |
| i | -5.92 | +4.09 |
| j | -3.35 | +6.38 |
| k | 0.00 | +3.81 |
| m | +2.98 | +2.38 |
| n | +3.71 | -0.85 |
| p | -1.66 | -3.43 |
| q | +1.66 | -3.43 |
| r | -3.71 | -0.85 |
| s | -2.98 | +2.38 |
| t | 0.00 | 0.00 |

Coordinates For Straight PC Tail Terminations



23 / H

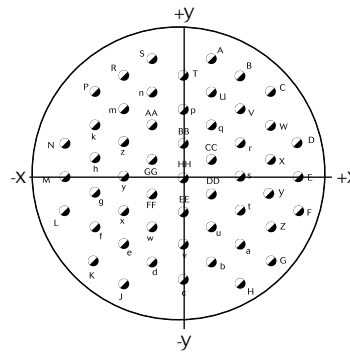
21



| Contact | Coordinates | |
|---------|-------------|--------|
| | X | Y |
| A | +3.25 | +9.78 |
| B | +7.34 | +7.24 |
| C | +9.80 | +3.12 |
| D | +10.16 | -1.65 |
| E | +8.33 | -6.07 |
| F | +4.65 | -9.19 |
| G | 0.00 | -10.31 |
| H | -4.65 | -9.19 |
| J | -8.33 | -6.07 |
| K | -10.16 | -1.65 |
| L | -9.80 | +3.12 |

| Contact | Coordinates | |
|---------|-------------|-------|
| | X | Y |
| M | -7.34 | +7.24 |
| N | -3.25 | +9.78 |
| P | 0.00 | +6.22 |
| R | +4.06 | +3.71 |
| S | +5.44 | -0.89 |
| T | +2.39 | -4.93 |
| U | -2.39 | -4.93 |
| V | -5.44 | -0.89 |
| W | -4.06 | +3.71 |
| X | 0.00 | 0.00 |

53



| Contact | Coordinates | |
|---------|-------------|--------|
| | X | Y |
| A | +4.98 | +12.70 |
| B | +7.98 | +11.05 |
| C | +10.49 | +8.71 |
| D | +12.32 | +5.84 |
| E | +13.39 | +2.57 |
| F | +13.61 | -0.76 |
| G | +12.98 | -4.17 |
| H | +11.53 | -7.29 |
| J | +9.35 | -9.93 |
| K | +6.58 | -11.94 |
| L | +3.40 | 13.18 |
| M | 0.00 | -13.64 |

| Contact | Coordinates | |
|---------|-------------|--------|
| | X | Y |
| N | -3.40 | -13.18 |
| P | -6.58 | -11.94 |
| R | -9.35 | -9.93 |
| S | -11.53 | -7.29 |
| T | -12.98 | -4.17 |
| U | -13.61 | -0.76 |
| V | -13.39 | +2.57 |
| W | -12.32 | +5.84 |
| X | -10.49 | +8.71 |
| Y | -7.98 | +11.05 |
| Z | -4.98 | 12.70 |

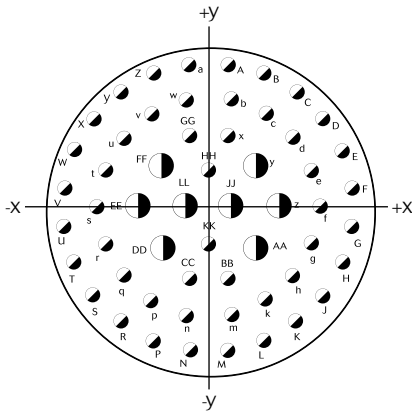
| Contact | Coordinates | |
|---------|-------------|--------|
| | X | Y |
| a | -1.73 | +11.53 |
| b | +1.73 | +11.53 |
| c | +4.39 | +9.22 |
| d | +7.24 | +7.19 |
| e | +9.19 | +4.45 |
| f | +10.13 | +1.17 |
| g | +9.96 | -2.24 |
| h | +8.66 | -5.41 |
| i | +6.38 | -7.98 |
| j | +3.38 | -9.63 |
| k | 0.00 | -10.21 |
| m | -3.38 | -9.63 |
| n | -6.38 | -7.98 |
| p | -8.66 | -5.41 |
| q | -9.96 | -2.24 |
| r | -10.13 | +1.17 |
| s | -9.19 | +4.45 |
| t | -7.24 | +7.19 |
| u | -4.39 | +9.22 |
| v | 0.00 | +8.59 |
| w | +3.73 | +5.66 |
| x | +6.02 | +3.10 |
| y | +6.78 | -0.25 |
| z | +5.79 | -3.53 |
| AA | +3.33 | -5.92 |
| BB | 0.00 | -6.78 |
| CC | -3.33 | -5.92 |
| DD | -5.79 | -3.53 |
| EE | -6.78 | -0.25 |
| FF | -6.02 | +3.10 |
| GG | -3.73 | +5.66 |
| HH | 0.00 | +5.08 |
| JJ | +2.67 | +2.39 |
| KK | +3.43 | -1.04 |
| LL | 0.00 | -3.35 |
| MM | -3.43 | -1.04 |
| NN | -2.67 | +2.39 |
| PP | 0.00 | 0.00 |

Coordinates For Straight PC Tail Terminations



25 / J

04

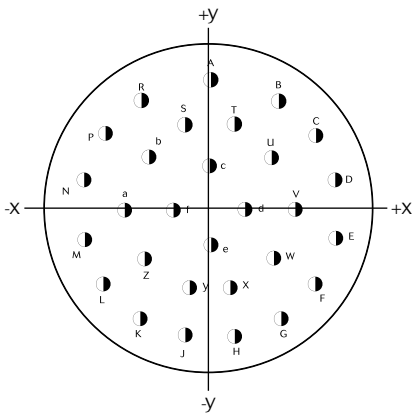


| Contact | Coordinates | |
|---------|-------------|--------|
| | X | Y |
| A | +1.75 | +13.49 |
| B | +5.49 | +12.57 |
| C | +8.23 | +10.80 |
| D | +10.77 | +8.28 |
| E | +12.52 | +5.21 |
| F | +13.49 | +1.75 |
| G | +13.49 | -1.75 |
| H | +12.52 | -5.21 |
| J | +10.77 | -8.28 |
| K | +8.23 | -10.80 |
| L | +5.16 | -12.57 |
| M | +1.75 | -13.49 |
| N | -1.75 | -13.49 |
| P | -5.16 | -12.57 |
| R | -8.23 | -10.80 |
| S | -10.77 | -8.28 |
| T | -12.52 | -5.21 |
| U | -13.49 | -1.75 |
| V | -13.49 | +1.75 |
| W | -12.52 | +5.21 |
| X | -10.77 | +8.28 |
| Y | -8.23 | +10.80 |
| Z | -5.16 | +12.57 |

| Contact | Coordinates | |
|---------|-------------|--------|
| | X | Y |
| a | -1.75 | +13.49 |
| b | +2.18 | +10.08 |
| c | +5.38 | +8.78 |
| d | +7.90 | +6.38 |
| e | +9.58 | +3.35 |
| f | +10.46 | 0.00 |
| g | +9.58 | -3.35 |
| h | +7.90 | -6.38 |
| k | +5.38 | -8.78 |
| m | +2.18 | -10.08 |
| n | -2.18 | -10.08 |
| p | -5.38 | -8.78 |
| q | -7.90 | -6.38 |
| r | -9.58 | -3.35 |
| s | -10.46 | 0.00 |
| t | -9.58 | +3.35 |
| u | -7.90 | +6.38 |
| v | -5.38 | +8.78 |
| w | -2.18 | +10.08 |
| x | +1.75 | +6.66 |
| y | +4.37 | +3.78 |
| z | +6.55 | 0.00 |

| Contact | Coordinates | |
|---------|-------------|-------|
| | X | Y |
| AA | +4.37 | -3.78 |
| BB | +1.75 | -6.66 |
| CC | -1.75 | -6.66 |
| DD | -4.37 | +3.78 |
| EE | -6.55 | 0.00 |
| FF | -4.37 | +3.78 |
| GG | -1.75 | +6.66 |
| HH | 0.00 | +3.35 |
| JJ | +2.18 | 0.00 |
| KK | 0.00 | -3.35 |
| LL | +2.18 | 0.00 |

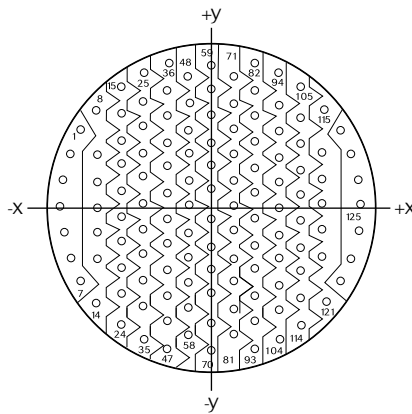
29



| Contact | Coordinates | |
|---------|-------------|--------|
| | X | Y |
| A | 0.00 | -12.22 |
| B | +6.55 | +10.31 |
| C | +10.03 | +7.04 |
| D | +11.91 | +2.77 |
| E | +11.91 | -2.77 |
| F | +10.03 | -7.04 |
| G | +6.68 | -10.31 |
| H | +2.31 | -11.99 |
| J | -2.31 | -11.99 |
| K | -6.68 | -10.31 |
| L | -10.03 | -7.04 |
| M | -11.91 | -2.77 |
| N | -11.91 | +2.77 |
| P | -10.03 | +7.04 |

| Contact | Coordinates | |
|---------|-------------|--------|
| | X | Y |
| R | -6.55 | +10.31 |
| S | -2.31 | +8.15 |
| T | +2.31 | +8.15 |
| U | +5.79 | +4.93 |
| V | +8.10 | 0.00 |
| W | +6.10 | -4.60 |
| X | +2.31 | -7.37 |
| Y | -2.31 | -7.37 |
| Z | -6.10 | -4.60 |
| a | -8.10 | 0.00 |
| b | -5.79 | +4.93 |
| c | 0.00 | +4.09 |
| d | +3.40 | 0.00 |
| e | 0.00 | -3.30 |
| f | -3.40 | 0.00 |

35



| Contact | Coordinates | |
|---------|-------------|--------|
| | X | Y |
| A | +4.98 | +12.70 |
| B | +7.98 | +11.05 |
| C | +10.49 | +8.71 |
| D | +12.32 | +5.84 |
| E | +13.39 | +2.57 |
| F | +13.61 | -0.76 |
| G | +12.98 | -4.17 |
| H | +11.53 | -7.29 |
| J | +9.35 | -9.93 |
| K | +6.58 | -11.94 |
| L | +3.40 | 13.18 |

| Contact | Coordinates | |
|---------|-------------|--------|
| | X | Y |
| M | 0.00 | -13.64 |
| N | -3.40 | -13.18 |
| P | -6.58 | -11.94 |
| R | -9.35 | -9.93 |
| S | -11.53 | -7.29 |
| T | -12.98 | -4.17 |
| U | -13.61 | -0.76 |
| V | -13.39 | +2.57 |
| W | -12.32 | +5.84 |
| X | -10.49 | +8.71 |
| Y | -7.98 | +11.05 |
| Z | -4.98 | +12.70 |

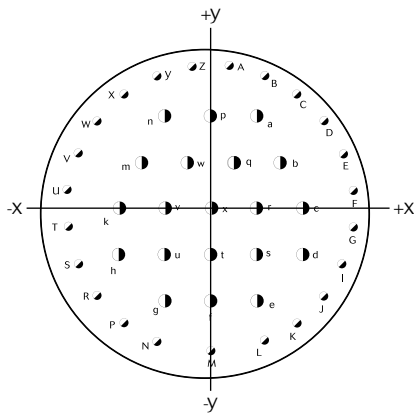
| Contact | Coordinates | |
|---------|-------------|--------|
| | X | Y |
| a | -1.73 | +11.53 |
| b | -1.73 | +11.53 |
| c | +4.39 | +9.22 |
| d | +7.24 | +7.19 |
| e | +9.19 | +4.45 |
| f | +10.13 | +1.17 |
| g | +9.96 | -2.24 |
| h | +8.66 | -5.41 |
| i | +6.38 | -7.98 |
| j | +3.38 | -9.63 |
| k | 0.00 | -10.21 |
| m | -3.38 | -9.63 |
| n | -6.38 | -7.98 |
| p | -8.66 | -5.41 |
| q | -9.96 | -2.24 |
| r | -10.13 | +1.17 |
| s | -9.19 | +4.45 |
| t | -7.24 | +7.19 |
| u | -4.39 | +9.22 |
| v | 0.00 | +8.59 |
| w | +3.73 | +5.66 |
| x | +6.02 | +3.10 |
| y | +6.78 | -0.25 |
| z | +5.79 | -3.53 |
| AA | +3.33 | -5.92 |
| BB | 0.00 | -6.78 |
| CC | -3.33 | -5.92 |
| DD | -5.79 | -3.53 |
| EE | -6.78 | -0.25 |
| FF | -6.02 | +3.10 |
| GG | -3.73 | +5.66 |
| HH | 0.00 | +5.08 |
| JJ | +2.67 | +2.39 |
| KK | +3.43 | -1.04 |
| LL | 0.00 | -3.35 |
| MM | -3.43 | -1.04 |
| NN | -2.67 | +2.39 |
| PP | 0.00 | 0.00 |

Coordinates For Straight PC Tail Terminations



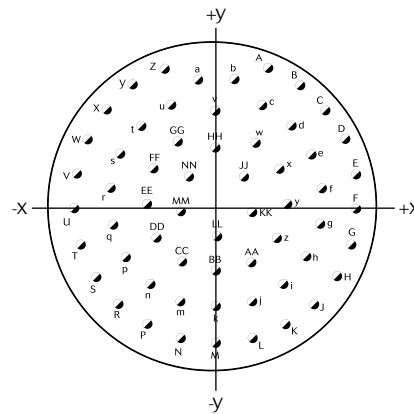
25 / J

43

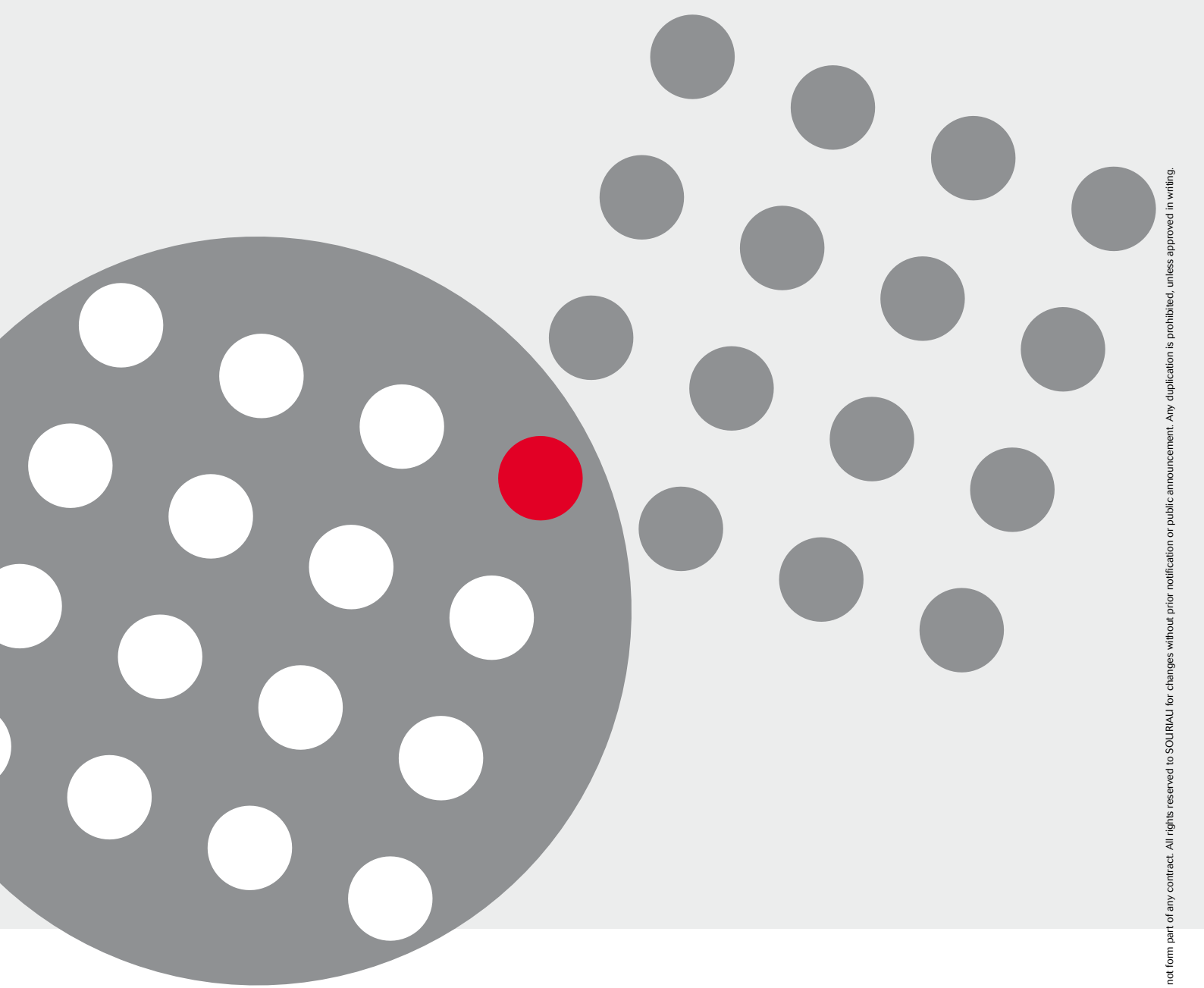


| Contact | Coordinates | | Contact | Coordinates | |
|---------|-------------|--------|---------|-------------|-------|
| | X | Y | | X | Y |
| A | +1.75 | +13.49 | a | +4.37 | +8.74 |
| B | +5.16 | +12.57 | b | +6.55 | +4.37 |
| C | +8.23 | +10.80 | c | +8.74 | 0.00 |
| D | +10.77 | +8.28 | d | +8.74 | -4.37 |
| E | +12.52 | +5.21 | e | +4.37 | -8.74 |
| F | +13.49 | +1.75 | f | 0.00 | -8.74 |
| G | +13.49 | -1.75 | g | -4.37 | -8.74 |
| H | +12.52 | -5.21 | h | -8.74 | -4.37 |
| J | +10.77 | -8.28 | k | -8.74 | 0.00 |
| K | +8.23 | -10.80 | m | -6.55 | +4.37 |
| L | +5.16 | -12.57 | n | -4.37 | +8.74 |
| M | 0.00 | -13.49 | p | 0.00 | +8.74 |
| N | -5.16 | -12.57 | q | +2.18 | +4.37 |
| P | -8.23 | -10.80 | r | +4.37 | 0.00 |
| R | -10.77 | -8.28 | s | +4.37 | -4.37 |
| S | -12.52 | -5.21 | t | 0.00 | -4.37 |
| T | -13.49 | -1.75 | u | -4.37 | -4.37 |
| U | -13.49 | +1.75 | v | -4.37 | 0.00 |
| V | -12.52 | +5.21 | w | -2.18 | +4.37 |
| W | -10.77 | +8.28 | x | 0.00 | 0.00 |
| X | -8.23 | +10.80 | | | |
| Y | -5.16 | +12.57 | | | |
| Z | -1.75 | +13.49 | | | |

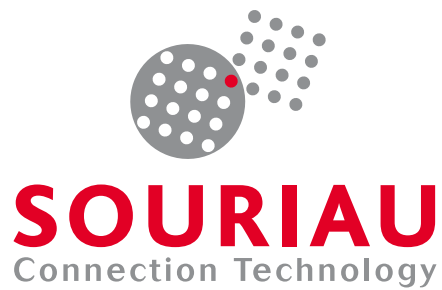
61



| Contact | Coordinates | | Contact | Coordinates | |
|---------|-------------|--------|---------|-------------|--------|
| | X | Y | | X | Y |
| A | +4.98 | +12.70 | a | -1.73 | +11.53 |
| B | +7.98 | +11.05 | b | +1.73 | +11.53 |
| C | +10.49 | +8.71 | c | +4.39 | +9.22 |
| D | +12.32 | +5.84 | d | +7.24 | +7.19 |
| E | +13.39 | +2.57 | e | +9.19 | +4.45 |
| F | +13.61 | -0.76 | f | +10.13 | +1.17 |
| G | +12.98 | -4.17 | g | +9.96 | -2.24 |
| H | +11.53 | -7.29 | h | +8.66 | -5.41 |
| J | +9.35 | -9.93 | i | +6.38 | -7.98 |
| K | +6.58 | -11.94 | k | 0.00 | -10.21 |
| L | +3.40 | -13.18 | m | -3.38 | -9.63 |
| M | 0.00 | -13.64 | n | -6.38 | -7.98 |
| N | -3.40 | -13.18 | p | -8.66 | -5.41 |
| P | -6.58 | -11.94 | q | -9.96 | -2.24 |
| R | -9.35 | -9.93 | r | -10.13 | +1.17 |
| S | -11.53 | -7.29 | s | -9.19 | +4.45 |
| T | -12.98 | -4.17 | t | -7.24 | +7.19 |
| U | -13.61 | -0.76 | u | -4.39 | +9.22 |
| V | -13.39 | +2.57 | v | 0.00 | +8.59 |
| W | -12.32 | +5.84 | w | +3.73 | +5.66 |
| X | -10.49 | +8.71 | x | +6.02 | +3.10 |
| Y | -7.98 | +11.05 | y | +6.78 | -0.25 |
| Z | -4.98 | +12.10 | z | +5.79 | -3.53 |
| | | | AA | +3.33 | -5.92 |
| | | | BB | 0.00 | -6.78 |
| | | | CC | -3.33 | -5.92 |
| | | | DD | -5.79 | -3.53 |
| | | | EE | -6.78 | -0.25 |
| | | | FF | -6.02 | +3.10 |
| | | | GG | -3.73 | +5.66 |
| | | | HH | 0.00 | +5.08 |
| | | | JJ | +2.67 | +2.39 |
| | | | KK | +3.43 | -1.04 |
| | | | LL | 0.00 | -3.35 |
| | | | MM | -3.43 | -1.04 |
| | | | NN | -2.67 | +2.39 |
| | | | PP | 0.00 | 0.00 |



www.souriau.com
contactmilaero@souriau.com





Компания «ЭлектроПласт» предлагает заключение долгосрочных отношений при поставках импортных электронных компонентов на взаимовыгодных условиях!

Наши преимущества:

- Оперативные поставки широкого спектра электронных компонентов отечественного и импортного производства напрямую от производителей и с крупнейших мировых складов;
- Поставка более 17-ти миллионов наименований электронных компонентов;
- Поставка сложных, дефицитных, либо снятых с производства позиций;
- Оперативные сроки поставки под заказ (от 5 рабочих дней);
- Экспресс доставка в любую точку России;
- Техническая поддержка проекта, помощь в подборе аналогов, поставка прототипов;
- Система менеджмента качества сертифицирована по Международному стандарту ISO 9001;
- Лицензия ФСБ на осуществление работ с использованием сведений, составляющих государственную тайну;
- Поставка специализированных компонентов (Xilinx, Altera, Analog Devices, Intersil, Interpoint, Microsemi, Aeroflex, Peregrine, Syfer, Eurofarad, Texas Instrument, Miteq, Cobham, E2V, MA-COM, Hittite, Mini-Circuits, General Dynamics и др.);

Помимо этого, одним из направлений компании «ЭлектроПласт» является направление «Источники питания». Мы предлагаем Вам помощь Конструкторского отдела:

- Подбор оптимального решения, техническое обоснование при выборе компонента;
- Подбор аналогов;
- Консультации по применению компонента;
- Поставка образцов и прототипов;
- Техническая поддержка проекта;
- Защита от снятия компонента с производства.



Как с нами связаться

Телефон: 8 (812) 309 58 32 (многоканальный)

Факс: 8 (812) 320-02-42

Электронная почта: org@eplast1.ru

Адрес: 198099, г. Санкт-Петербург, ул. Калинина, дом 2, корпус 4, литера А.