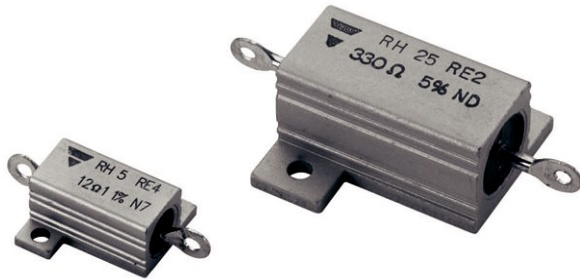


# Heatsink Encased Wirewound Power Resistors



## FEATURES

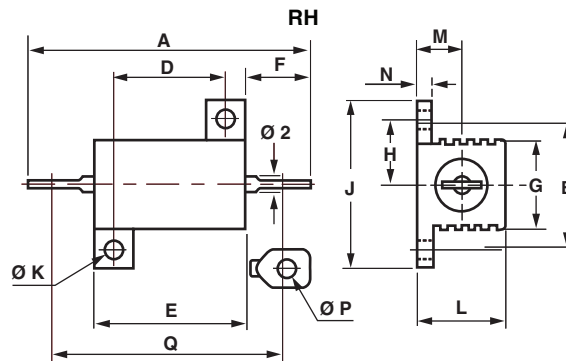
- 5 W to 50 W at 25 °C
- NF C 83-210
- CECC 40 203
- High stability < 0.05 % year
- Low temperature coefficient typically  $\pm 15$  ppm/°C
- Wide range of values from 0.006  $\Omega$  to 130 k $\Omega$
- Termination = Sn/Ag/Cu
- Material categorization: For definitions of compliance please see [www.vishay.com/doc?99912](http://www.vishay.com/doc?99912)


**RoHS**  
COMPLIANT

Encased in a compact and light heatsink offering complete environmental protection, great mechanical strength and easy mounting. Non inductive versions can be supplied under the RHNI designation (please indicate required specifications and frequency range upon ordering).

NF F 16101, 10/1988 and 16102, 04/1992: Not applicable (our parts contain less than 10 g of combustible materials).

## DIMENSIONS in millimeters



SERIES	A	B $\pm 0.2$	D $\pm 0.2$	E $\pm 0.5$	F	G $\pm 1$	H $\pm 0.7$	J $\pm 0.5$	$\varnothing K \pm 0.1$	L MAX.	M $\pm 0.5$	N $\pm 0.3$	$\varnothing P$ MIN.	Q	WEIGHT g
RH5	28.5 $\pm 1.5$	12.5	11.3	16.3	6.8 $\pm 1.5$	8.5	6.2	16.4	2.4	8.9	4.3	1.6	2.1	25.3 $\pm 1.5$	4
RH10	35.5 $\pm 1.5$	15.9	14	19	7.9 $\pm 1.5$	11	7.9	20.6	2.4	11	5.6	2	2.1	30.6 $\pm 1.5$	6.4
RH25	49 $\pm 1.3$	19.8	18.3	28	11.1 $\pm 1.5$	14	9.9	27.5	3.2	15	8	2.4	2.1	44.6 $\pm 1.3$	16.1
RH50	70.2 $\pm 1.4$	21.4	39.7	50	11 $\pm 1.2$	14	10.7	29.4	3.2	15	8	2.4	2.1	66.5 $\pm 1.4$	28.6

## STANDARD ELECTRICAL SPECIFICATIONS

MODEL	RESISTANCE RANGE $\Omega$	RATED POWER $P_{25^\circ C}$ W	TOLERANCE $\pm \%$
RH5	0.01 to 12K	10	0.5, 1, 2, 5
RH10	0.006 to 20K	12.5	0.5, 1, 2, 5
RH25	0.006 to 62K	25	0.5, 1, 2, 5
RH50	0.006 to 130K	50	0.5, 1, 2, 5

### Note

- Undergoes European Quality Insurance System (CECC)



TECHNICAL SPECIFICATIONS						
VISHAY SFERNICE MODEL AND STYLE			RH5	RH10	RH25	RH50
NF C 83-210 (CECC 40 203)			RE4	RE1	RE2	RE3
POWER RATING Chassis Mounted Resistors	MIL Limits	25 °C	5W	10 W	20 W	30 W
		70 °C	4 W	8 W	16 W	24 W
413 cm <sup>2</sup> for RH5 and RH10 536 cm <sup>2</sup> for RH25 and RH50	Vishay Sfernice Limits	25 °C	10 W	12.5 W	25 W	50 W
		70 °C	8 W	10 W	20 W	40 W
Unmounted Resistors	Vishay Sfernice Limits	25 °C	4 W	6 W	9W	12 W
		70 °C	3.2 W	4.8 W	7.2 W	9.6 W
Rated Maximum Voltage (V <sub>RMS</sub> )			160 V	250 V	550 V	1285 V
Dielectric Strength V <sub>RMS</sub>			1000 V	1500 V	2500 V	2500 V
Vishay Sfernice			0.01 Ω 12 kΩ	0.006 Ω 20 kΩ	0.006 Ω 62 kΩ	0.006 Ω 130 kΩ
NF C 83-210			0.1 Ω 2.7 kΩ	0.1 Ω 4.99 kΩ	0.1 Ω 11.8 kΩ	0.1 Ω 33.2 kΩ
Minimum Ohmic Values in Relation to Tolerance	E 96	± 0.1 %	1 Ω		1 Ω	
	E 96	± 0.5 %	0.1 Ω		0.1 Ω	
	E 96	± 1 %	0.1 Ω		0.05 Ω	
	E 48	± 2 %	0.01 Ω		0.01 Ω	
	E 24	± 5 %	0.01 Ω		0.01 Ω	
	E 12	± 10 %	0.01 Ω	0.008 Ω	0.006 Ω	

**Note**

- Undergoes European Quality Insurance System (CECC)

PERFORMANCE				
TESTS	MIL-R-18546 D	NF C 83-210		TYPICAL DRIFTS
	CONDITIONS	REQUIREMENTS		
Operating Temperature Range	- 55 °C + 200 °C		-	-
Momentary Overload	5 P <sub>n</sub> /5 s		± (0.25 % + 0.05 Ω)	± (0.1 % + 0.05 Ω)
Climatic Sequence	- 55 °C + 200 °C 5 cycles		± (0.25 % + 0.05 Ω)	± (0.1 % + 0.05 Ω)
Load Life Test at High Temperature	2 h at + 275 °C		± (1 % + 0.05 Ω) Ins. resistance ≥ 1 GΩ	± (0.1 % + 0.05 Ω)
Humidity (Steady State)	56 days		± (1 % + 0.05) Ins. resistance ≥ 100 MΩ	± (0.5 % + 0.05 Ω)
Resistance to Moisture	Climatic sequences test, with load and polarisation		± (1 % + 0.05 Ω)	± (0.5 % + 0.05 Ω)
Temperature Coefficient	5 Ω to 10 Ω > 10 Ω		± 50 ppm/°C ± 25 ppm/°C	± 15 ppm/°C
Load Life at Maximum Temperature	1000 h 25 °C	P <sub>n</sub> MIL	Vishay	± (1 % + 0.05 Ω)
	200 °C	30 % of P <sub>n</sub>	Sfernice	Ins. resistance ≥ 1 GΩ
				± (0.1 % + 0.05 Ω)
				± (0.5 % + 0.05 Ω)

**MOMENTARY OVERLOAD****1. Momentary overload (> 2 s):**

See example in table below. In all cases, it should be understood that:

- The 12 P<sub>n</sub> overload applies only to ohmic values 0.1.

- The overload voltage shall not be higher than that used for the dielectric strength test (see Standard Electrical Specifications).

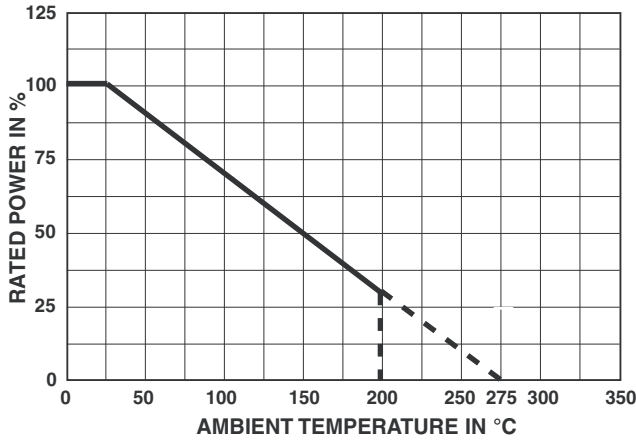
**2. Short time overload (< 2 s):**

For times shorter than 2 s, higher overloads can be sustained in some cases. Consult Vishay Sfernice.

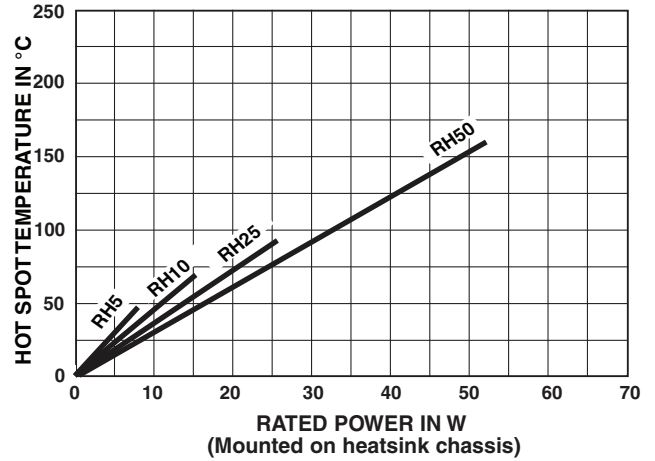
POWER LOADING	DURATION
2.5 P <sub>n</sub>	10 s
5 P <sub>n</sub>	5 s
12 P <sub>n</sub>	2 s



**POWER RATING**



**TEMPERATURE RISE**



**MARKING**

Vishay Sfernice trademark, model, style, CECC style (if applicable) nominal resistance (in  $\Omega$ ), tolerance (in %), manufacturing date.

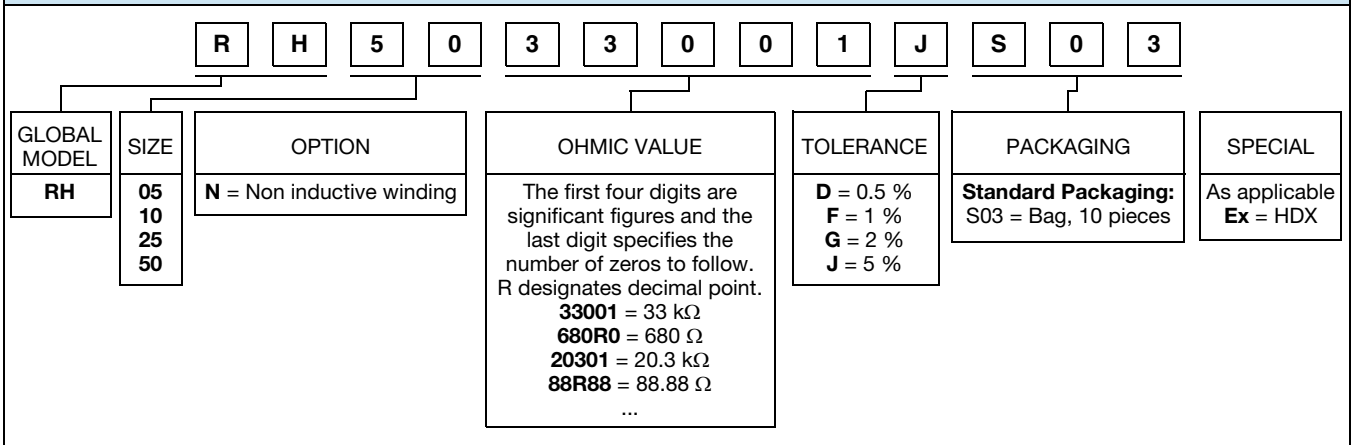
**PACKAGING**

Bag of 10 units

**ORDERING INFORMATION**

<b>RH</b>	<b>05</b>	<b>N</b>	<b>18R00</b>	<b>J</b>	<b>S03</b>
MODEL	STYLE	NON INDUCTIVE WINDING Optional	OHMIC VALUE	TOLERANCE	PACKAGING

**GLOBAL PART NUMBER INFORMATION**





## Disclaimer

ALL PRODUCT, PRODUCT SPECIFICATIONS AND DATA ARE SUBJECT TO CHANGE WITHOUT NOTICE TO IMPROVE RELIABILITY, FUNCTION OR DESIGN OR OTHERWISE.

Vishay Intertechnology, Inc., its affiliates, agents, and employees, and all persons acting on its or their behalf (collectively, "Vishay"), disclaim any and all liability for any errors, inaccuracies or incompleteness contained in any datasheet or in any other disclosure relating to any product.

Vishay makes no warranty, representation or guarantee regarding the suitability of the products for any particular purpose or the continuing production of any product. To the maximum extent permitted by applicable law, Vishay disclaims (i) any and all liability arising out of the application or use of any product, (ii) any and all liability, including without limitation special, consequential or incidental damages, and (iii) any and all implied warranties, including warranties of fitness for particular purpose, non-infringement and merchantability.

Statements regarding the suitability of products for certain types of applications are based on Vishay's knowledge of typical requirements that are often placed on Vishay products in generic applications. Such statements are not binding statements about the suitability of products for a particular application. It is the customer's responsibility to validate that a particular product with the properties described in the product specification is suitable for use in a particular application. Parameters provided in datasheets and/or specifications may vary in different applications and performance may vary over time. All operating parameters, including typical parameters, must be validated for each customer application by the customer's technical experts. Product specifications do not expand or otherwise modify Vishay's terms and conditions of purchase, including but not limited to the warranty expressed therein.

Except as expressly indicated in writing, Vishay products are not designed for use in medical, life-saving, or life-sustaining applications or for any other application in which the failure of the Vishay product could result in personal injury or death. Customers using or selling Vishay products not expressly indicated for use in such applications do so at their own risk. Please contact authorized Vishay personnel to obtain written terms and conditions regarding products designed for such applications.

No license, express or implied, by estoppel or otherwise, to any intellectual property rights is granted by this document or by any conduct of Vishay. Product names and markings noted herein may be trademarks of their respective owners.

## Material Category Policy

**Vishay Intertechnology, Inc. hereby certifies that all its products that are identified as RoHS-Compliant fulfill the definitions and restrictions defined under Directive 2011/65/EU of The European Parliament and of the Council of June 8, 2011 on the restriction of the use of certain hazardous substances in electrical and electronic equipment (EEE) - recast, unless otherwise specified as non-compliant.**

**Please note that some Vishay documentation may still make reference to RoHS Directive 2002/95/EC. We confirm that all the products identified as being compliant to Directive 2002/95/EC conform to Directive 2011/65/EU.**

**Vishay Intertechnology, Inc. hereby certifies that all its products that are identified as Halogen-Free follow Halogen-Free requirements as per JEDEC JS709A standards. Please note that some Vishay documentation may still make reference to the IEC 61249-2-21 definition. We confirm that all the products identified as being compliant to IEC 61249-2-21 conform to JEDEC JS709A standards.**



Компания «ЭлектроПласт» предлагает заключение долгосрочных отношений при поставках импортных электронных компонентов на взаимовыгодных условиях!

Наши преимущества:

- Оперативные поставки широкого спектра электронных компонентов отечественного и импортного производства напрямую от производителей и с крупнейших мировых складов;
- Поставка более 17-ти миллионов наименований электронных компонентов;
- Поставка сложных, дефицитных, либо снятых с производства позиций;
- Оперативные сроки поставки под заказ (от 5 рабочих дней);
- Экспресс доставка в любую точку России;
- Техническая поддержка проекта, помощь в подборе аналогов, поставка прототипов;
- Система менеджмента качества сертифицирована по Международному стандарту ISO 9001;
- Лицензия ФСБ на осуществление работ с использованием сведений, составляющих государственную тайну;
- Поставка специализированных компонентов (Xilinx, Altera, Analog Devices, Intersil, Interpoint, Microsemi, Aeroflex, Peregrine, Syfer, Eurofarad, Texas Instrument, Miteq, Cobham, E2V, MA-COM, Hittite, Mini-Circuits, General Dynamics и др.);

Помимо этого, одним из направлений компании «ЭлектроПласт» является направление «Источники питания». Мы предлагаем Вам помощь Конструкторского отдела:

- Подбор оптимального решения, техническое обоснование при выборе компонента;
- Подбор аналогов;
- Консультации по применению компонента;
- Поставка образцов и прототипов;
- Техническая поддержка проекта;
- Защита от снятия компонента с производства.



#### Как с нами связаться

**Телефон:** 8 (812) 309 58 32 (многоканальный)

**Факс:** 8 (812) 320-02-42

**Электронная почта:** [org@eplast1.ru](mailto:org@eplast1.ru)

**Адрес:** 198099, г. Санкт-Петербург, ул. Калинина, дом 2, корпус 4, литера А.