

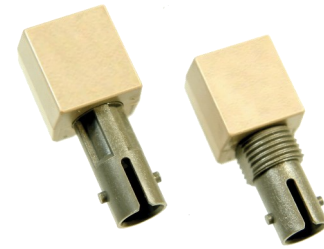
# Fiber Optic Receiver

OPF2418, OPF2418T



**Features:**

- Up to 194 Mbps operation
- 850nm wavelength
- ST<sup>®</sup> style port
- Wave solderable
- Wide temperature range

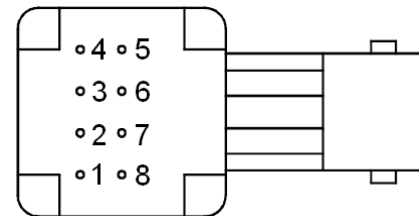
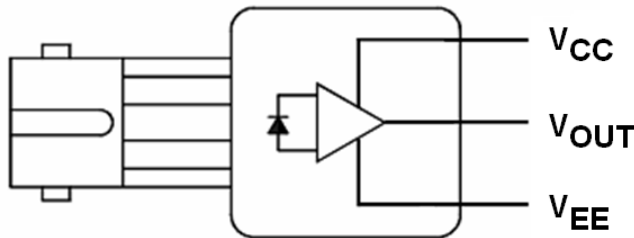


**Description:**

The OPF2418 family is a low cost solution for high speed fiber optic communications designs. The internal lensing of this receiver’s design allows optimal response for fiber sizes of 100µm and below. The receiver is comprised of a high speed, low noise, photodiode coupled to a transimpedance amplifier (TIA). The photodiode/TIA combination produces an output voltage that is proportional to the input light amplitude. This hybrid approach solves many of the problems of high speed data link designs by placing the photodiode close to the TIA. The amplification of the TIA makes the output much less susceptible to EMI. The output of the OPF2418 is an analog, low impedance, emitter follower voltage source. Subsequent circuitry can be utilized to convert the analog voltage to ECL/TTL for digital data rates up to 155 Mbps. The OPF2418 is available with either standard or threaded panel mount ST<sup>0</sup> receptacles. The threaded version is also available in conductive plastic.

**Applications:**

- Industrial Ethernet equipment
- Copper-to-fiber media conversion
- Intra-system fiber optic links
- Video surveillance systems



PIN	FUNCTION
1	Not Connected
2	V <sub>OUT</sub>
3	V <sub>EE</sub>
4	Not Connected
5	Not Connected
6	V <sub>CC</sub>
7	V <sub>EE</sub>
8	Not Connected

“T” suffix = Threaded ST<sup>®</sup> package  
 \

Pins 3 & 7 are electrically connected to the header.  
 Pins 1,4,5 & 8 are mechanically connected together.



RoHS



ESD Class 2

ST<sup>®</sup> is a registered trademark of AT&T.

**General Note**

TT Electronics reserves the right to make changes in product specification without notice or liability. All information is subject to TT Electronics’ own data and is considered accurate at time of going to print.

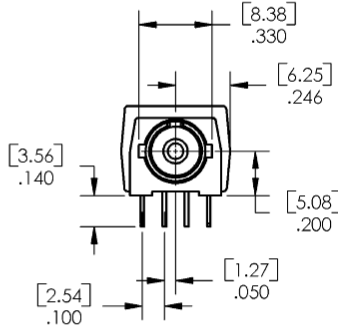
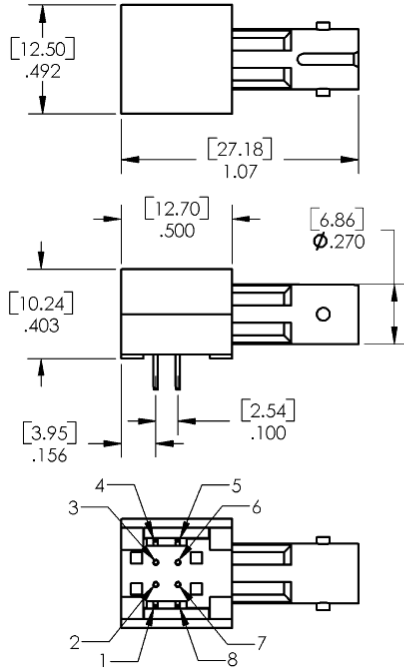
TT Electronics | OPTEK Technology, Inc.  
 1645 Wallace Drive, Carrollton, TX 75006 | Ph: +1 972 323 2200  
 sensors@ttelelectronics.com | www.ttelelectronics.com

# Fiber Optic Receiver

OPF2418, OPF2418T



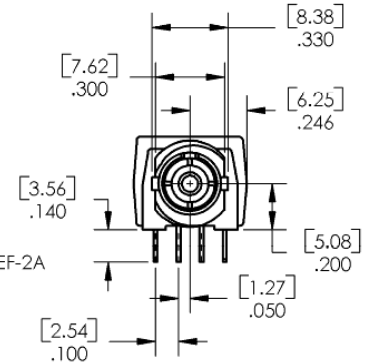
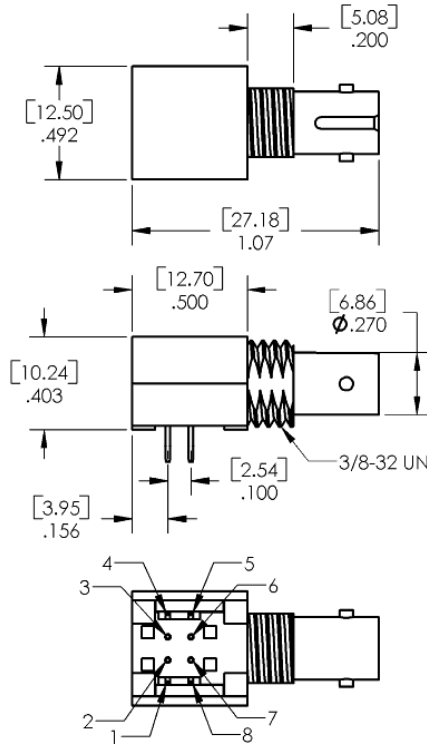
## Mechanical Data



PINS 1, 4, 5, & 8 - .020 X .015  
[0.51 X 0.38]  
PINS 2, 3, 6, & 7 - Ø.018  
[0.46]

**OPF2418**

**OPF2418T**



PINS 1, 4, 5, & 8 - .020 X .015  
[0.51 X 0.38]  
PINS 2, 3, 6, & 7 - Ø.018  
[0.46]

DIMENSIONS ARE IN: [MILLIMETERS]  
INCHES

General Note  
TT Electronics reserves the right to make changes in product specification without notice or liability. All information is subject to TT Electronics' own data and is considered accurate at time of going to print.

TT Electronics | OPTEK Technology, Inc.  
1645 Wallace Drive, Carrollton, TX 75006 | Ph: +1 972 323 2200  
sensors@ttelelectronics.com | www.ttelelectronics.com

# Fiber Optic Receiver

OPF2418, OPF2418T



## Electrical Specifications

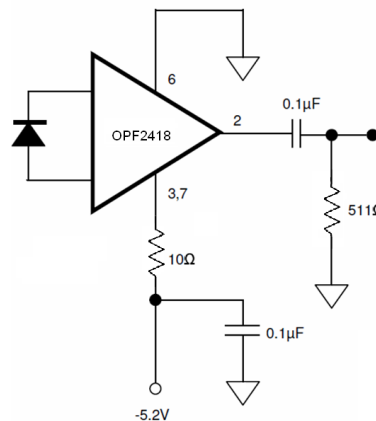
Absolute Maximum Ratings ( $T_A = 25^\circ\text{C}$ unless otherwise noted)	
Storage Temperature Range	-55° C to +85° C
Operating Temperature Range	-40° C to +85° C
Lead Soldering Temperature <sup>(1)</sup>	260° C
Supply Voltage	-0.5 V to 6.0 V
Output Current	25 mA
Output Pin Voltage	-0.5 V

Electrical Characteristics ( $T_A = 25^\circ\text{C}$ unless otherwise noted)						
SYMBOL	PARAMETER	MIN	TYP	MAX	UNITS	TEST CONDITIONS
R	Responsivity	5.3	7.0	9.6	mV/ $\mu\text{W}$	$\lambda_p = 850\text{ nm}$ , $f = 50\text{ MHz}$
		4.5		11.5		$-40^\circ\text{C} \leq T_A \leq +85^\circ\text{C}$
$V_{\text{NOISE}}$	RMS Output Noise Voltage		0.40	0.59	mV	75 MHz Bandwidth Filtered, $P_R = 0$
				0.70		Unfiltered Bandwidth Filtered, $P_R = 0$
$P_N$	RMS Equivalent Optical Noise Input Power		0.050	0.065	$\mu\text{W}$	100 MHz Bandwidth Filtered, $P_R = 0$
$P_R$	Peak Received Optical Power			175	$\mu\text{W}$	$40^\circ\text{C} \leq T_A \leq +85^\circ\text{C}$
				150		
$V_{\text{ODC}}$	DC Output Voltage	-4.2	-3.1	-2.4	V	$P_R = 0$
$I_{\text{EE}}$	Supply Current		9	15	mA	$R_L = \infty$
BW	Bandwidth	155	200		MHz	-3dB electrical
$t_r, t_f$	Rise Time, Fall Time		2.0	2.6	ns	$f = 50\text{ MHz}$ , $P_R = 100\ \mu\text{W peak}$ , $R_L = 511\ \Omega$ , $C_{\text{LOAD}} = 5\text{ pF}$
PWD	Pulse Width Distortion		0.4	2.5	ns	$f = 50\text{ MHz}$ , $P_R = 150\ \mu\text{W peak}$
PSRR	Power Supply Rejection Ratio		20		dB	$f = 10\text{ MHz}$

**Notes:**

- Maximum of 5 seconds with soldering iron. Duration can be extended to 10 seconds when flow soldering. RMA flux is recommended.

**Application Circuit**



Note that the 10Ω resistor and bypass capacitor are critical.

**General Note**

TT Electronics reserves the right to make changes in product specification without notice or liability. All information is subject to TT Electronics' own data and is considered accurate at time of going to print.

TT Electronics | OPTeK Technology, Inc.  
1645 Wallace Drive, Carrollton, TX 75006 | Ph: +1 972 323 2200  
sensors@ttelectronics.com | www.ttelectronics.com



Компания «ЭлектроПласт» предлагает заключение долгосрочных отношений при поставках импортных электронных компонентов на взаимовыгодных условиях!

Наши преимущества:

- Оперативные поставки широкого спектра электронных компонентов отечественного и импортного производства напрямую от производителей и с крупнейших мировых складов;
- Поставка более 17-ти миллионов наименований электронных компонентов;
- Поставка сложных, дефицитных, либо снятых с производства позиций;
- Оперативные сроки поставки под заказ (от 5 рабочих дней);
- Экспресс доставка в любую точку России;
- Техническая поддержка проекта, помощь в подборе аналогов, поставка прототипов;
- Система менеджмента качества сертифицирована по Международному стандарту ISO 9001;
- Лицензия ФСБ на осуществление работ с использованием сведений, составляющих государственную тайну;
- Поставка специализированных компонентов (Xilinx, Altera, Analog Devices, Intersil, Interpoint, Microsemi, Aeroflex, Peregrine, Syfer, Eurofarad, Texas Instrument, Miteq, Cobham, E2V, MA-COM, Hittite, Mini-Circuits, General Dynamics и др.);

Помимо этого, одним из направлений компании «ЭлектроПласт» является направление «Источники питания». Мы предлагаем Вам помощь Конструкторского отдела:

- Подбор оптимального решения, техническое обоснование при выборе компонента;
- Подбор аналогов;
- Консультации по применению компонента;
- Поставка образцов и прототипов;
- Техническая поддержка проекта;
- Защита от снятия компонента с производства.



#### Как с нами связаться

**Телефон:** 8 (812) 309 58 32 (многоканальный)

**Факс:** 8 (812) 320-02-42

**Электронная почта:** [org@eplast1.ru](mailto:org@eplast1.ru)

**Адрес:** 198099, г. Санкт-Петербург, ул. Калинина, дом 2, корпус 4, литера А.