

N-channel 30 V, 0.0011 Ω typ., 45 A STripFET™ H6 Power MOSFET in a PowerFLAT™ 5x6 package

Datasheet – production data

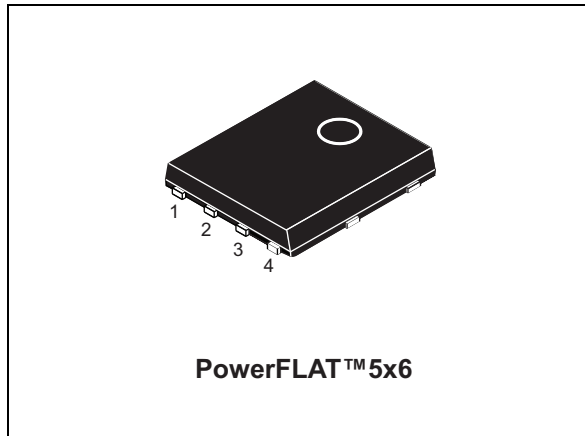
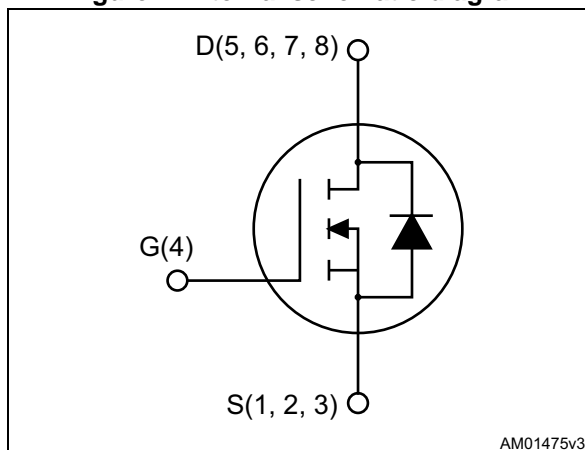


Figure 1. Internal schematic diagram



Features

Order code	V_{DS}	$R_{DS(on) \max}$	I_D
STL160N3LLH6	30 V	0.0013 Ω	45 A ⁽¹⁾

1. The value is rated according to $R_{thj-pcb}$

- Very low on-resistance
- Very low switching gate charge
- High avalanche ruggedness
- Low gate drive power loss

Applications

- Switching applications

Description

This device is an N-channel Power MOSFET developed using the 6th generation of STripFET™ technology, with a new trench gate structure. The resulting Power MOSFET exhibits a very low $R_{DS(on)}$ in all packages.

Table 1. Device summary

Order code	Marking	Package	Packaging
STL160N3LLH6	160N3LH6	PowerFLAT™ 5x6	Tape and reel

Contents

1	Electrical ratings	3
2	Electrical characteristics	4
2.1	Electrical characteristics (curves)	6
3	Test circuits	8
4	Package mechanical data	9
5	Packaging mechanical data	12
6	Revision history	14

1 Electrical ratings

Table 2. Absolute maximum ratings

Symbol	Parameter	Value	Unit
V_{DS}	Drain-source voltage	30	V
V_{GS}	Gate-source voltage	± 20	V
$I_D^{(1)}$	Drain current (continuous) at $T_C = 25\text{ }^\circ\text{C}$	240	A
$I_D^{(1)}$	Drain current (continuous) at $T_C = 100\text{ }^\circ\text{C}$	170	A
$I_{DM}^{(1),(3)}$	Drain current (pulsed)	960	A
$I_D^{(2)}$	Drain current (continuous) at $T_{pcb} = 25\text{ }^\circ\text{C}$	45	A
$I_D^{(2)}$	Drain current (continuous) at $T_{pcb}=100\text{ }^\circ\text{C}$	32	A
$I_{DM}^{(2),(3)}$	Drain current (pulsed)	180	A
$P_{TOT}^{(1)}$	Total dissipation at $T_C = 25\text{ }^\circ\text{C}$	136	W
$P_{TOT}^{(2)}$	Total dissipation at $T_{pcb} = 25\text{ }^\circ\text{C}$	4.8	W
T_j T_{stg}	Operating junction temperature Storage temperature	-55 to 175	$^\circ\text{C}$

1. The value is rated according to R_{thj-c} .
2. The value is rated according to $R_{thj-pcb}$.
3. Pulse width limited by safe operating area.

Table 3. Thermal data

Symbol	Parameter	Value	Unit
$R_{thj-case}$	Thermal resistance junction-case	1.1	$^\circ\text{C}/\text{W}$
$R_{thj-pcb}^{(1)}$	Thermal resistance junction-pcb	31.3	$^\circ\text{C}/\text{W}$

1. When mounted on FR-4 board of 1inch², 2oz Cu, $t < 10$ sec.

Table 4. Avalanche data

Symbol	Parameter	Value	Unit
I_{AV}	Not-repetitive avalanche current (pulse width limited by T_j max)	35	A
E_{AS}	Single pulse avalanche energy (starting $T_J = 25\text{ }^\circ\text{C}$, $I_D = I_{AV}$)	900	mJ

2 Electrical characteristics

($T_{CASE} = 25\text{ °C}$ unless otherwise specified).

Table 5. On/off states

Symbol	Parameter	Test conditions	Min.	Typ.	Max.	Unit
$V_{(BR)DSS}$	Drain-source breakdown voltage	$V_{GS} = 0, I_D = 250\ \mu A$	30			V
I_{DSS}	Zero gate voltage drain current	$V_{GS} = 0, V_{DS} = 30\text{ V}$			1	μA
		$V_{DS} = 30\text{ V}$ at $T_C = 125\text{ °C}$			10	μA
I_{GSS}	Gate body leakage current	$V_{DS} = 0, V_{GS} = \pm 20\text{ V}$			± 100	nA
$V_{GS(th)}$	Gate threshold voltage	$V_{DS} = V_{GS}, I_D = 250\ \mu A$	1			V
$R_{DS(on)}$	Static drain-source on-resistance	$V_{GS} = 10\text{ V}, I_D = 17.5\text{ A}$		0.0011	0.0013	Ω
		$V_{GS} = 4.5\text{ V}, I_D = 17.5\text{ A}$		0.0016	0.0020	Ω

Table 6. Dynamic

Symbol	Parameter	Test conditions	Min.	Typ.	Max.	Unit
C_{iss}	Input capacitance	$V_{GS}=0, V_{DS} = 25\text{ V},$ $f=1\text{ MHz}$	-	6375	-	pF
C_{oss}	Output capacitance		-	1230	-	pF
C_{riss}	Reverse transfer capacitance		-	675	-	pF
Q_g	Total gate charge	$V_{DD}=15\text{ V}, I_D = 35\text{ A}$	-	61.5	-	nC
Q_{gs}	Gate-source charge	$V_{GS} = 4.5\text{ V}$	-	20		nC
Q_{gd}	Gate-drain charge	(see Figure 14)	-	24		nC
R_g	Gate input resistance	$f = 1\text{ MHz},$ gate DC Bias = 0, test signal level = 20 mV, $I_D = 0$	-	1.4	-	Ω

Table 7. Switching times

Symbol	Parameter	Test conditions	Min.	Typ.	Max.	Unit
$t_{d(on)}$	Turn-on delay time	$V_{DD}=15\text{ V}, I_D = 17.5\text{ A},$ $R_G=4.7\ \Omega, V_{GS}=10\text{ V}$ (see Figure 13)	-	22.5	-	ns
t_r	Rise time		-	32	-	ns
$t_{d(off)}$	Turn-off delay time		-	107.5	-	ns
t_f	Fall time		-	54	-	ns

Table 8. Source drain diode

Symbol	Parameter	Test conditions	Min.	Typ.	Max.	Unit
I_{SD}	Source-drain current		-		45	A
$I_{SDM}^{(1)}$	Source-drain current (pulsed)		-		180	A
$V_{SD}^{(2)}$	Forward on voltage	$V_{GS}=0, I_{SD} = 35 \text{ A}$	-		1.1	V
t_{rr}	Reverse recovery time	$I_{SD} = 35 \text{ A},$ $di/dt = 100 \text{ A}/\mu\text{s},$ $V_{DD}=25 \text{ V}$	-	37.2		ns
Q_{rr}	Reverse recovery charge		-	36		nC
I_{RRM}	Reverse recovery current		-	1.9		A

1. Pulse width limited by safe operating area.
2. Pulsed: pulse duration=300 μ s, duty cycle 1.5%.

2.1 Electrical characteristics (curves)

Figure 2. Safe operating area

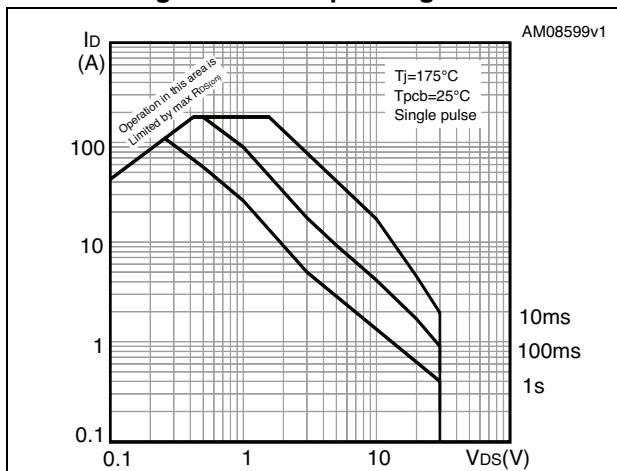


Figure 3. Thermal impedance

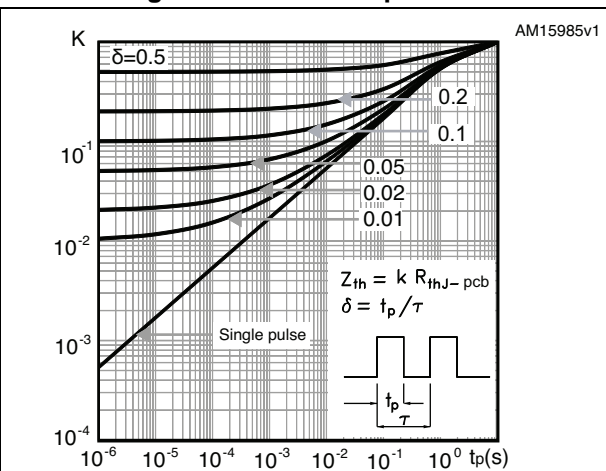


Figure 4. Output characteristics

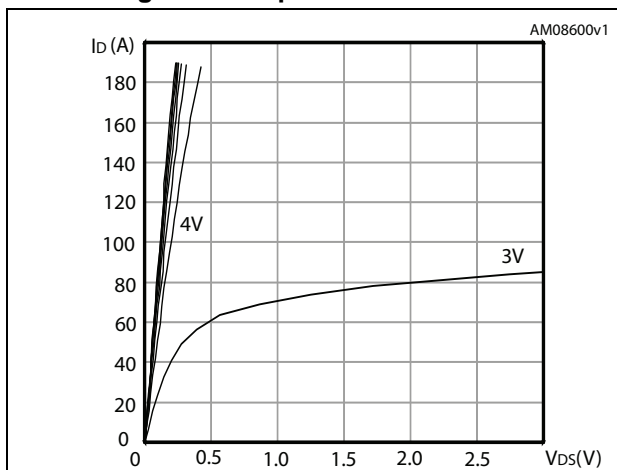


Figure 5. Transfer characteristics

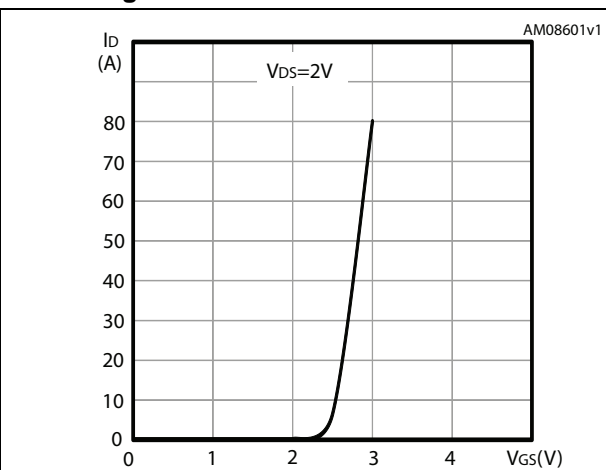


Figure 6. Normalized $V_{(BR)DSS}$ vs temperature

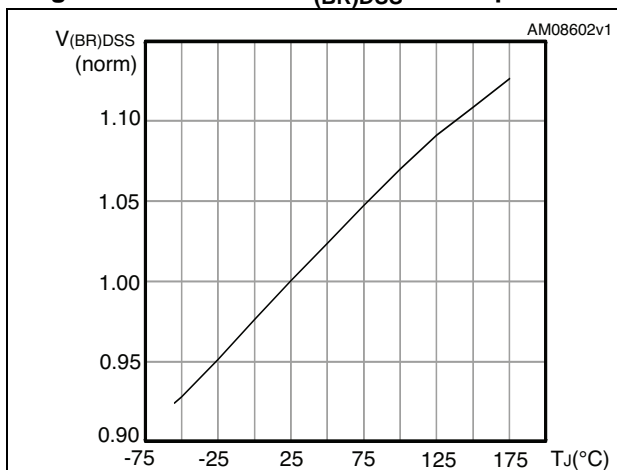


Figure 7. Static drain-source on-resistance

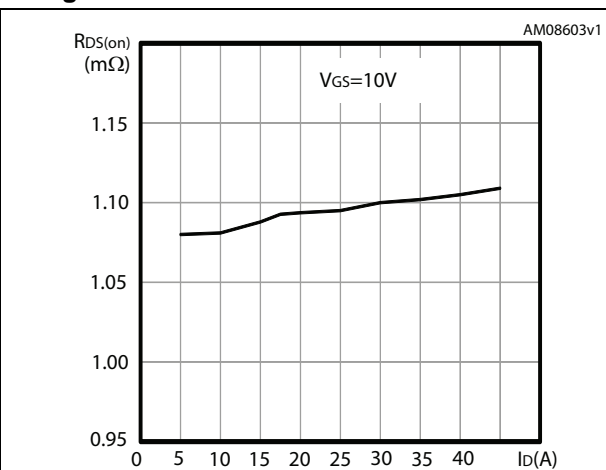


Figure 8. Gate charge vs gate-source voltage

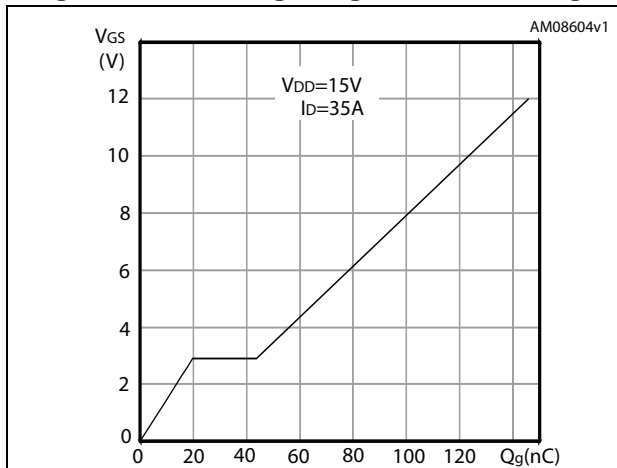


Figure 9. Capacitance variations

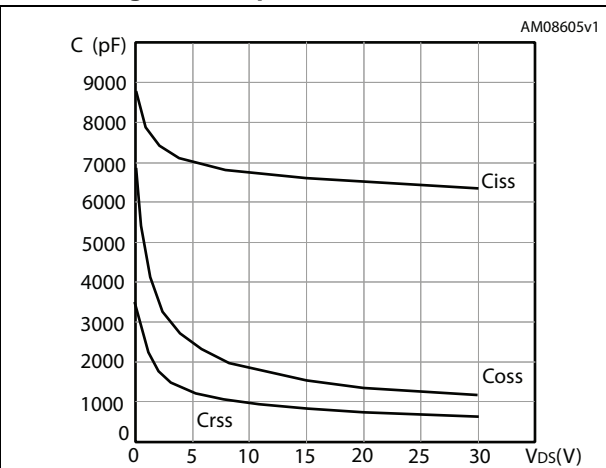


Figure 10. Normalized gate threshold voltage vs temperature

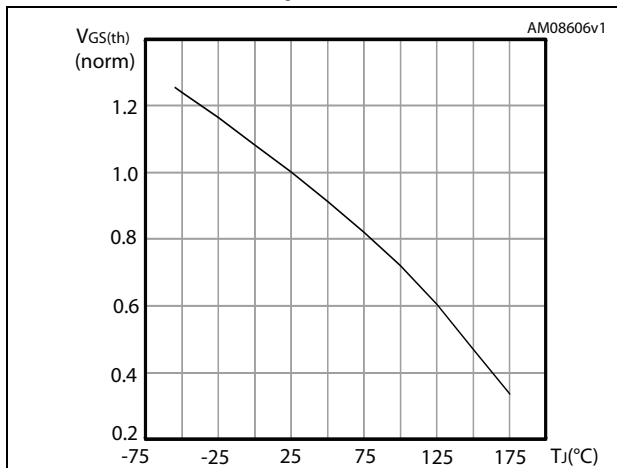


Figure 11. Normalized on-resistance vs temperature

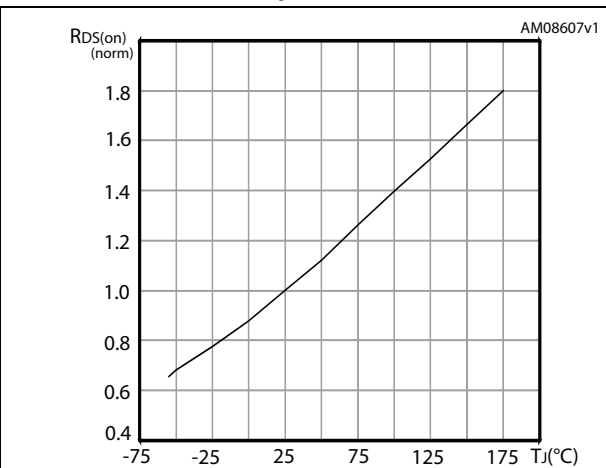
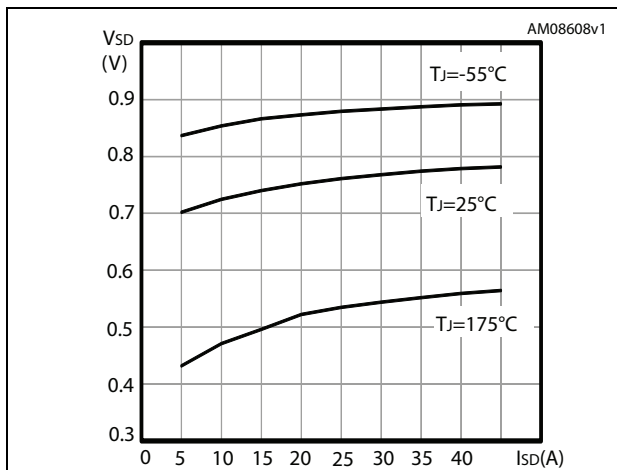


Figure 12. Source-drain diode forward characteristics



3 Test circuits

Figure 13. Switching times test circuit for resistive load



Figure 14. Gate charge test circuit



Figure 15. Test circuit for inductive load switching and diode recovery times



Figure 16. Unclamped inductive load test circuit



Figure 17. Unclamped inductive waveform



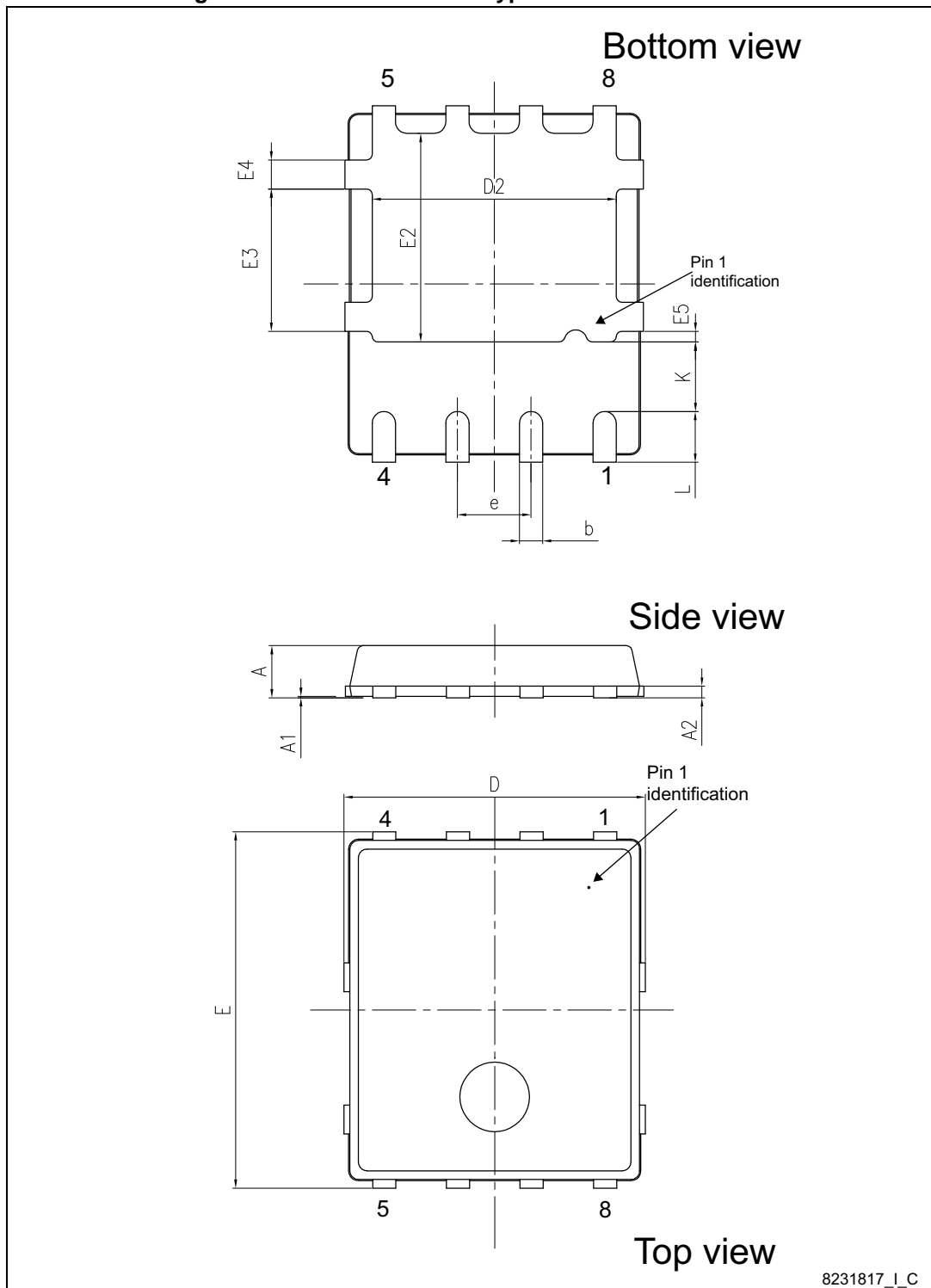
Figure 18. Switching time waveform



4 Package mechanical data

In order to meet environmental requirements, ST offers these devices in different grades of ECOPACK[®] packages, depending on their level of environmental compliance. ECOPACK[®] specifications, grade definitions and product status are available at: www.st.com. ECOPACK[®] is an ST trademark.

Figure 19. PowerFLAT™ 5x6 type S-C mechanical data

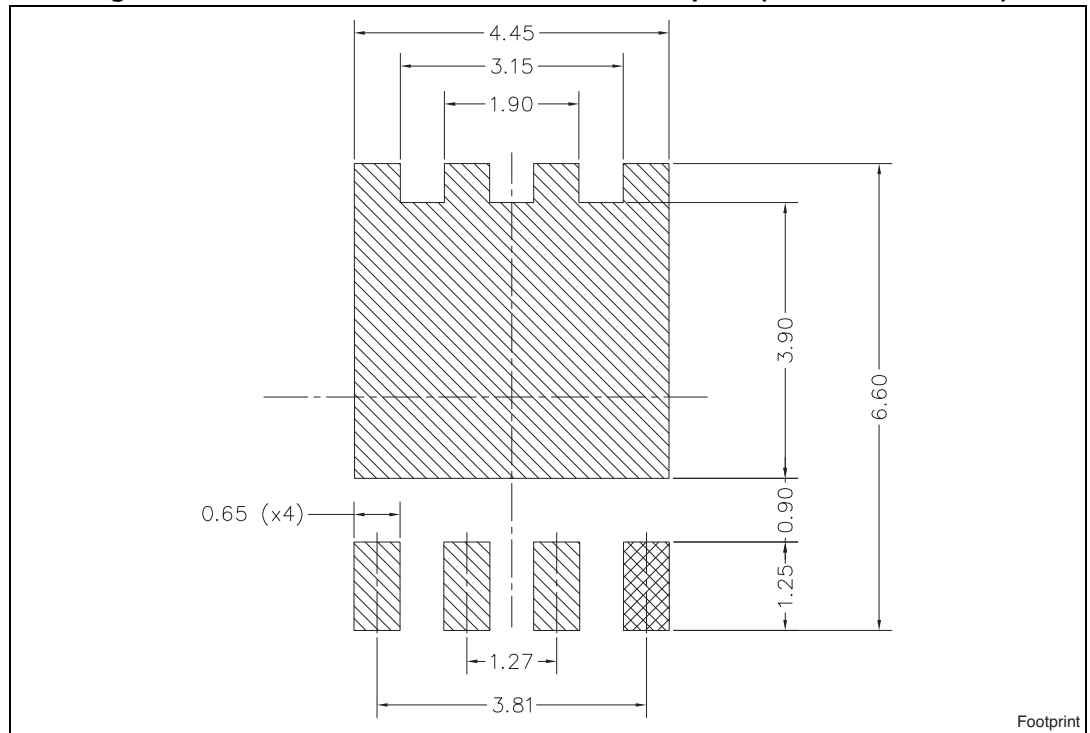


8231817_I_C

Table 9. PowerFLAT™ 5x6 type S-C mechanical data

Dim.	mm		
	Min.	Typ.	Max.
A	0.80		1.00
A1	0.02		0.05
A2		0.25	
b	0.30		0.50
D		5.20	
E		6.15	
D2	4.11		4.31
E2	3.50		3.70
e		1.27	
e1		0.65	
L	0.715		1.015
K	1.05		1.35
E3	2.35		2.55
E4	0.40		0.60
E5	0.08		0.28

Figure 20. PowerFLAT™ 5x6 recommended footprint (dimensions in mm)



5 Packaging mechanical data

Figure 21. PowerFLAT™ 5x6 tape^(a)

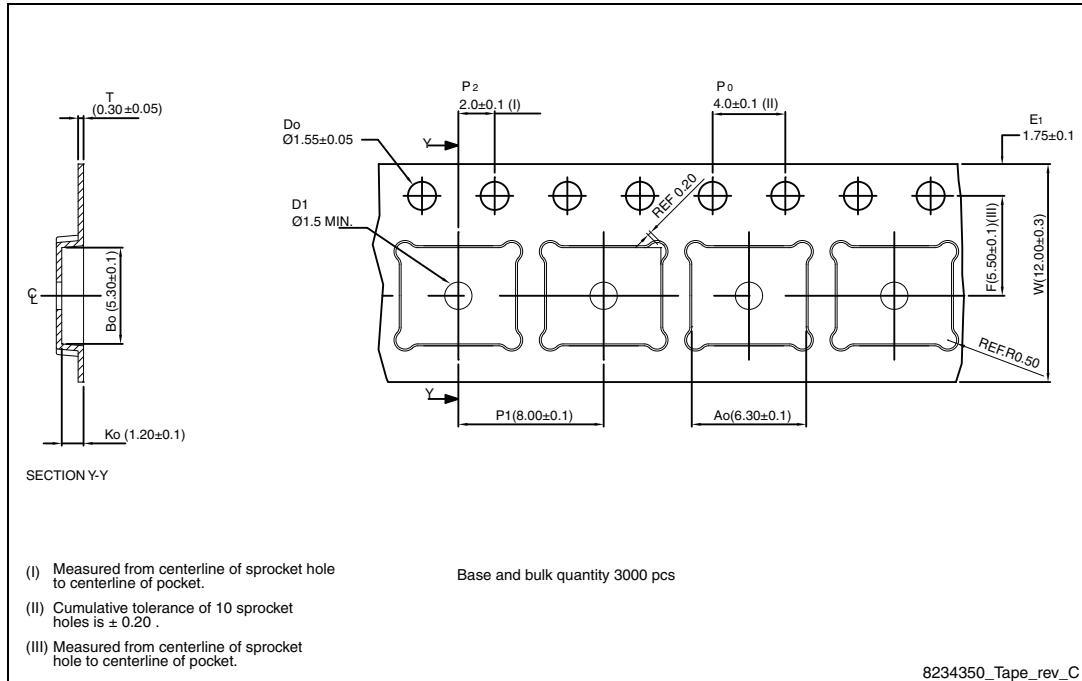
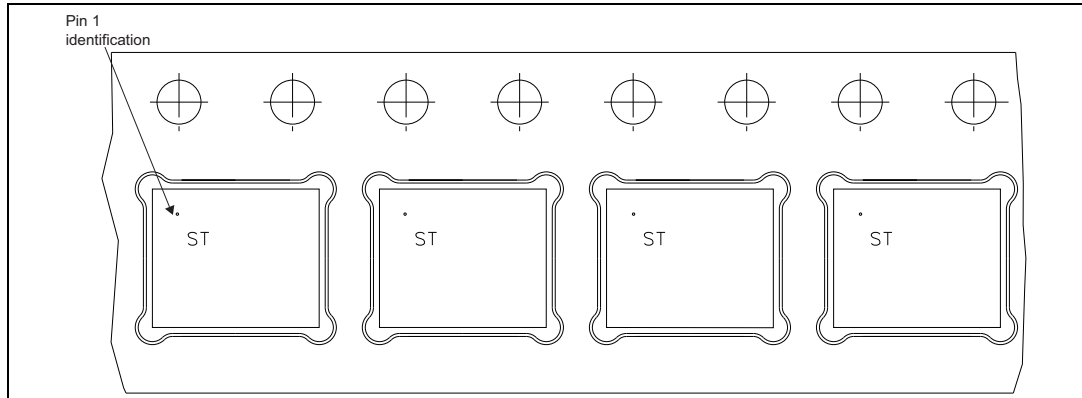
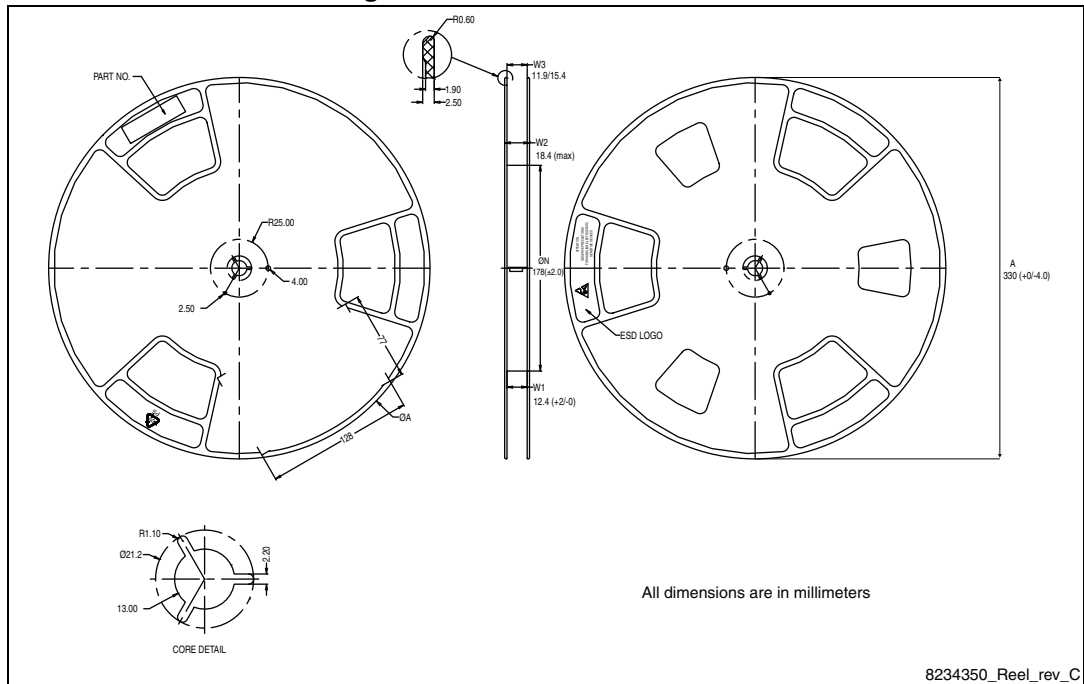


Figure 22. PowerFLAT™ 5x6 package orientation in carrier tape



a. All dimensions are in millimeters.

Figure 23. PowerFLAT™ 5x6 reel



6 Revision history

Table 10. Document revision history

Date	Revision	Changes
10-Nov-2010	1	First release.
10-Nov-2011	2	<i>Section 4: Package mechanical data</i> has been updated. Minor text changes.
31-Jul-2013	3	<ul style="list-style-type: none"> – Modified: I_D in the title and in the <i>Features Table, Table 5, 6 and 7</i> – Modified: values on the <i>Table 2</i>, $R_{thj-case}$ on the <i>Table 3</i>, max values for the I_{SD} and I_{SDM} on <i>Table 8</i> – Updated: <i>Section 4: Package mechanical data</i> – Inserted: <i>Section 5: Packaging mechanical data</i> – Modified: <i>Figure 13, 14, 15 and 16</i> – Minor text changes
09-Aug-2013	4	<ul style="list-style-type: none"> – Modified: drain current (continuous) at $T_C = 100\text{ °C}$ value and drain current (continuous) at $T_{pcb}=100\text{ °C}$ value – Modified: test conditions of $R_{DS(on)}$ – Modified: I_D in <i>Table 6 and 7</i> – Modified: I_{SD} in <i>Table 8</i> – Modified: <i>Figure 2, 3, 4, 5, 7, 12, 13, 14, 15 and 16</i> – Updated: <i>Section 4: Package mechanical data</i> – Minor text changes
24-Sep-2013	5	<ul style="list-style-type: none"> – Modified: marking in <i>Table 1</i> – Minor text changes
23-Sep-2014	6	<ul style="list-style-type: none"> – Modified: title – Modified: <i>Features</i> – Modified: <i>Description</i> – Updated: <i>Section 4: Package mechanical data</i> – Minor text changes

IMPORTANT NOTICE – PLEASE READ CAREFULLY

STMicroelectronics NV and its subsidiaries ("ST") reserve the right to make changes, corrections, enhancements, modifications, and improvements to ST products and/or to this document at any time without notice. Purchasers should obtain the latest relevant information on ST products before placing orders. ST products are sold pursuant to ST's terms and conditions of sale in place at the time of order acknowledgement.

Purchasers are solely responsible for the choice, selection, and use of ST products and ST assumes no liability for application assistance or the design of Purchasers' products.

No license, express or implied, to any intellectual property right is granted by ST herein.

Resale of ST products with provisions different from the information set forth herein shall void any warranty granted by ST for such product.

ST and the ST logo are trademarks of ST. All other product or service names are the property of their respective owners.

Information in this document supersedes and replaces information previously supplied in any prior versions of this document.

© 2014 STMicroelectronics – All rights reserved



Компания «ЭлектроПласт» предлагает заключение долгосрочных отношений при поставках импортных электронных компонентов на взаимовыгодных условиях!

Наши преимущества:

- Оперативные поставки широкого спектра электронных компонентов отечественного и импортного производства напрямую от производителей и с крупнейших мировых складов;
- Поставка более 17-ти миллионов наименований электронных компонентов;
- Поставка сложных, дефицитных, либо снятых с производства позиций;
- Оперативные сроки поставки под заказ (от 5 рабочих дней);
- Экспресс доставка в любую точку России;
- Техническая поддержка проекта, помощь в подборе аналогов, поставка прототипов;
- Система менеджмента качества сертифицирована по Международному стандарту ISO 9001;
- Лицензия ФСБ на осуществление работ с использованием сведений, составляющих государственную тайну;
- Поставка специализированных компонентов (Xilinx, Altera, Analog Devices, Intersil, Interpoint, Microsemi, Aeroflex, Peregrine, Syfer, Eurofarad, Texas Instrument, Miteq, Cobham, E2V, MA-COM, Hittite, Mini-Circuits, General Dynamics и др.);

Помимо этого, одним из направлений компании «ЭлектроПласт» является направление «Источники питания». Мы предлагаем Вам помощь Конструкторского отдела:

- Подбор оптимального решения, техническое обоснование при выборе компонента;
- Подбор аналогов;
- Консультации по применению компонента;
- Поставка образцов и прототипов;
- Техническая поддержка проекта;
- Защита от снятия компонента с производства.



Как с нами связаться

Телефон: 8 (812) 309 58 32 (многоканальный)

Факс: 8 (812) 320-02-42

Электронная почта: org@eplast1.ru

Адрес: 198099, г. Санкт-Петербург, ул. Калинина, дом 2, корпус 4, литера А.