



**ULTRAVOLT® E SERIES**  
PRECISION HIGH VOLTAGE POWER SUPPLIES





---

**Single-output  
precision** high  
voltage power  
supply modules

The E series of precision high voltage power supplies has very low ripple, excellent linearity, and very stable temperature characteristics. Models in this series are offered at two levels of performance; the best delivers 10 ppm characteristics. This series is ideal for applications where system performance is directly linked to high voltage power quality and performance.

## Features

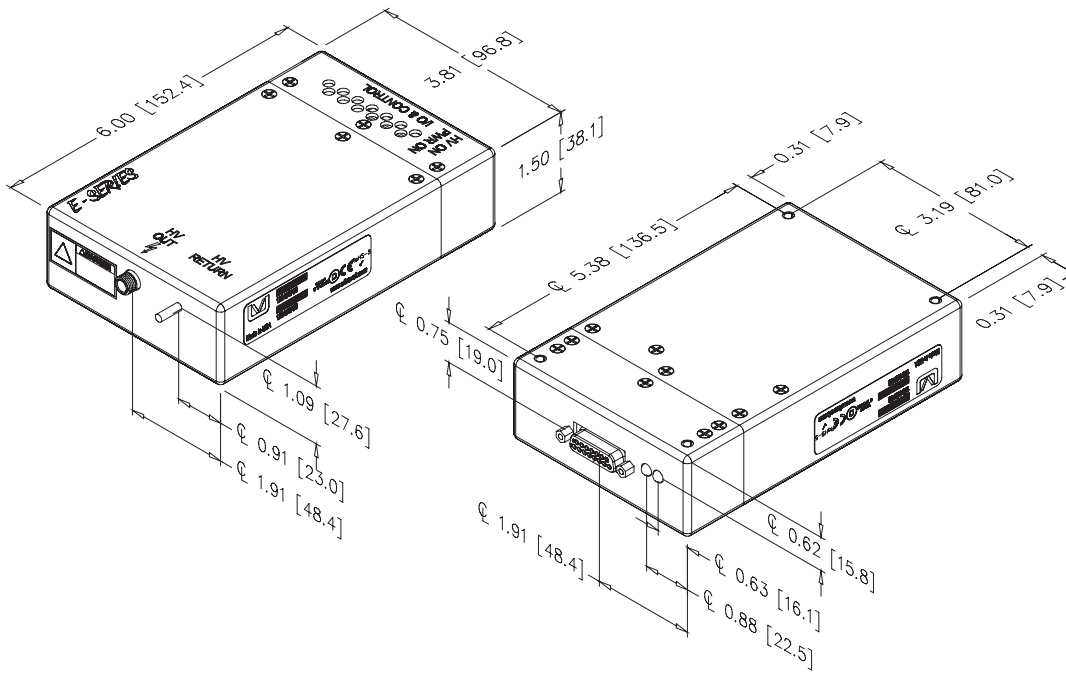
- › Precision output voltage from 0 to 1 kV through 0 to 15 kV
- › PPM level ripple, regulation, and stability
- › As low as 10 ppm temperature coefficient and reference
- › 0 to 4, 15/20, or 30 W of output power
- › Maximum load capability down to 0 V
- › Voltage and current regulation/limit capability
- › Precision output voltage and current monitors

## Typical Applications

- › Bias supplies
- › Mass spectrometry
- › SEM/FIB
- › Electron beams
- › Ion beams



PARAMETER	CONDITIONS	MODELS																		UNITS
<b>Input</b>		<b>All Types</b>																		
<b>Voltage Range</b>	Full Power	+23 to 30																		VDC
<b>Current</b>	Standby/Disable	< 50																		mA
<b>Current</b>	No Load, Max Eout	< 325																		mA
<b>Current</b>	Full Load, Max Eout	2.5																		A
<b>AC Ripple Current</b>	Nominal Input, Full Load	< 10																		mA pk to pk
<b>Output</b>		<b>1E</b>			<b>2E</b>			<b>4E</b>			<b>6E</b>			<b>10E</b>			<b>15E</b>			
<b>Voltage Range</b>	Nominal Input	0 to 1000			0 to 2000			0 to 4000			0 to 6000			0 to 10000			0 to 15000			VDC
<b>Nominal Input Voltage/Model</b>		24	24	24	24	24	24	24	24	24	24	24	24	24	24	24	24	24	24	VDC
<b>Power</b>	Nominal Input, Max Eout	4	20	30	4	20	30	4	20	30	4	20	30	4	15	30	4	15	30	Watts
<b>Current</b>	lout Entire Output Voltage Range	4	20	30	2	10	15	1	5	7.5	0.67	3.3	5	0.4	1.5	3	0.26	1	2	mA
<b>Voltage Monitor</b>	Normal Operating Conditions	0 to 10 ±0.5%																		VDC
<b>Current Monitor</b>	Normal Operating Conditions	0 to 10 ±0.5%																		VDC
<b>Ripple</b>	Full Load, Max Eout	≤ 10	≤ 10	≤ 10	≤ 10	≤ 10	≤ 10	≤ 10	≤ 10	≤ 10	≤ 10	≤ 10	≤ 10	≤ 10	≤ 10	≤ 10	≤ 10	≤ 10	≤ 10	ppm
<b>Line Regulation</b>	Nom Input, Max Eout, Full Power	< 25 ppm or < 10 ppm																		VDC
<b>Static Load Regulation</b>	No Load to Full Load, Max Eout	< 25 ppm or < 10 ppm																		VDC
<b>Stability</b>	30 Min Warmup, Per 8 h, Per Day	< 25 ppm or < 10 ppm																		VDC
<b>Programming and Controls</b>		<b>All Types</b>																		
<b>Input Impedance</b>	Nominal Input	10																		MΩ
<b>Adjust Accuracy and Adjust Linearity</b>	10 to 100%	±0.05%																		%
<b>Adjust Voltage</b>	Differential	0 to +10																		VDC
<b>Output Voltage</b>	T = +25°C, Initial Value	+10.00 ±0.05%																		VDC
<b>Max Source Current</b>	T = +25°C	5																		mA
<b>Output Impedance</b>	Normal Operating Conditions	Buffered, low impedance, 2 mA max for source/sink current																		-
<b>Enable/Disable</b>		0 to +0.8 disable, +2.5 to 10 enable (default = disable)																		VDC
<b>Environmental</b>		<b>All Types</b>																		
<b>Operating</b>	Full Load, Max Eout, Case Temp.	+10 to +45																		°C
<b>Temperature Coefficient</b>	Over the Specified Temperature	±25 or ±10																		ppm/°C
<b>Thermal Shock</b>	Mil-Std-810, Method 504, Class 2	-40 to +65																		°C
<b>Storage</b>	Non-Operating, Case Temp.	-55 to +105																		°C
<b>Humidity</b>	All Conditions, Standard Package	0 to 95%, non-condensing																		-
<b>Altitude</b>	Standard Package, All Conditions	Sea level through 10,000																		ft
<b>Shock</b>	Mil-Std-810, Method 516, Proc. 4	20																		Gs
<b>Vibration</b>	Mil-Std-810, Method 514, Fig. 514-3	10																		Gs



Note: Downloadable drawings (complete with mounting and pin information) and 3D models are available online.

## PHYSICAL SPECIFICATIONS

### Construction

<b>Material</b>	Aluminum alloy 5052-H32
<b>Finish</b>	Anodize MIL-A-8625E blue

### Size

<b>Volume</b>	561.9 cc (34.29 in <sup>3</sup> )
<b>Weight</b>	1.1 kg (2.4 lb)

### Tolerance

<b>Overall</b>	±1.27 mm (0.030")
<b>Pin to Pin</b>	±0.38 mm (0.015")
<b>Mounting Hole Location</b>	±0.64 mm (0.025")

### Connections

<b>D-Sub</b>	15-pin, female
<b>HV Connector</b>	LGH1/2L
<b>HV Return</b>	#6-32 x 0.437 long threaded post



## E SERIES INPUT CONNECTOR PINOUT AND FUNCTIONS

Pin	Description	Function
1	Reference Voltage	(+)10.00 V PRECISION REFERENCE
2	Voltage Programming -	0 TO 10 V TO PROGRAM FULL OUTPUT VOLTAGE
3	Voltage Programming +	PROGRAMMING INPUT IS DIFFERENTIAL BETWEEN PINS 2 AND 3.
4	Voltage Monitor	0 TO +10 V REPRESENTS 0 TO FULL OUTPUT VOLTAGE
5	Voltage Mode Indicator	OPEN DRAIN ACTIVE LOW WHEN IN VOLTAGE CONTROL
6	Signal Ground	REFERENCE ALL CONTROL SIGNALS HERE.
7	Input Power	+23 TO +30 V
8	Input Power	
9	Power Ground	INPUT POWER RETURN
10	Power Ground	
11	Enable	TTL HIGH TO ENABLE, LOW TO DISABLE, DEFAULT IS OFF
12	Current Monitor	0 TO +10 V REPRESENTS 0 TO FULL OUTPUT CURRENT
13	Current Programming	0 TO +10 V SETS CURRENT FROM 0 TO FULL RATED OUTPUT CURRENT
14	Current Mode Indicator	OPEN DRAIN ACTIVE LOW WHEN IN CURRENT CONTROL
15	Signal Ground	REFERENCE ALL CONTROL SIGNALS HERE.

NOTE: Use stud next to high voltage output connector as HV return. A secure ground connection here is critical to safety and proper operation.

## ORDERING INFORMATION

<b>Type</b>	0 to 1000 VDC Output	1E
	0 to 2000 VDC Output	2E
	0 to 4000 VDC Output	4E
	0 to 6000 VDC Output	6E
	0 to 10,000 VDC Output	10E
	0 to 15,000 VDC Output	15E
<b>Input</b>	24 V Input	24
<b>Polarity</b>	Positive Output	-P
	Negative Output	-N
<b>Power</b>	4 W Output	4
	15 W Output (10 and 15 kV only)	15
	20 W Output (1 to 6 kV only)	20
	30 W Output	30

## Performance

<b>Level</b>	10 ppm Line/Load Regulation, Stability, and Temp. Coefficient	-10 ppm
	25 ppm Line/Load Regulation, Stability, and Temp. Coefficient	-25 ppm
<b>Connectors</b>	LGH	(Standard)
	5 kV, SHV Type	-SHV-5 kV
	10 kV, BNC Type	-BNC-10 kV

Popular accessories ordered with this product include our full range of high voltage output connectors. (See Accessories and Connectors datasheet.)



Non-RoHS compliant units are available. Please contact the factory for more information.





For international contact information, visit  
[advanced-energy.com](http://advanced-energy.com).



Компания «ЭлектроПласт» предлагает заключение долгосрочных отношений при поставках импортных электронных компонентов на взаимовыгодных условиях!

Наши преимущества:

- Оперативные поставки широкого спектра электронных компонентов отечественного и импортного производства напрямую от производителей и с крупнейших мировых складов;
- Поставка более 17-ти миллионов наименований электронных компонентов;
- Поставка сложных, дефицитных, либо снятых с производства позиций;
- Оперативные сроки поставки под заказ (от 5 рабочих дней);
- Экспресс доставка в любую точку России;
- Техническая поддержка проекта, помощь в подборе аналогов, поставка прототипов;
- Система менеджмента качества сертифицирована по Международному стандарту ISO 9001;
- Лицензия ФСБ на осуществление работ с использованием сведений, составляющих государственную тайну;
- Поставка специализированных компонентов (Xilinx, Altera, Analog Devices, Intersil, Interpoint, Microsemi, Aeroflex, Peregrine, Syfer, Eurofarad, Texas Instrument, Miteq, Cobham, E2V, MA-COM, Hittite, Mini-Circuits, General Dynamics и др.);

Помимо этого, одним из направлений компании «ЭлектроПласт» является направление «Источники питания». Мы предлагаем Вам помощь Конструкторского отдела:

- Подбор оптимального решения, техническое обоснование при выборе компонента;
- Подбор аналогов;
- Консультации по применению компонента;
- Поставка образцов и прототипов;
- Техническая поддержка проекта;
- Защита от снятия компонента с производства.



#### Как с нами связаться

**Телефон:** 8 (812) 309 58 32 (многоканальный)

**Факс:** 8 (812) 320-02-42

**Электронная почта:** [org@eplast1.ru](mailto:org@eplast1.ru)

**Адрес:** 198099, г. Санкт-Петербург, ул. Калинина, дом 2, корпус 4, литера А.