

### Overview

This filter series is intended to be used in Photo Voltaic applications between the solar panel and the inverter system.

The filters are optimized in geometry and for power loss.

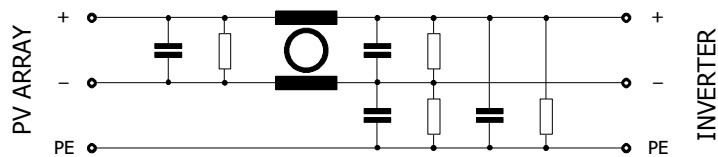
They are also adapted to attenuate high frequency noise that may be degrading life time of the solar panels and as well as reduce the radiation of EMI noise that may emerge from the panels.

Filters without Y-capacitors to protected earth are available on request. As a capacitor manufacturer, KEMET is only using high quality capacitors in its filter series.



### Technical specifications

Rated voltage	1200 VDC
Rated current	25 – 1600 A
Rated temperature	55°C
Temperature range	-40°C to +100°C
Climate category	40/100/21
Voltage test	P -> P 3000 VDC P -> E 3600 VDC

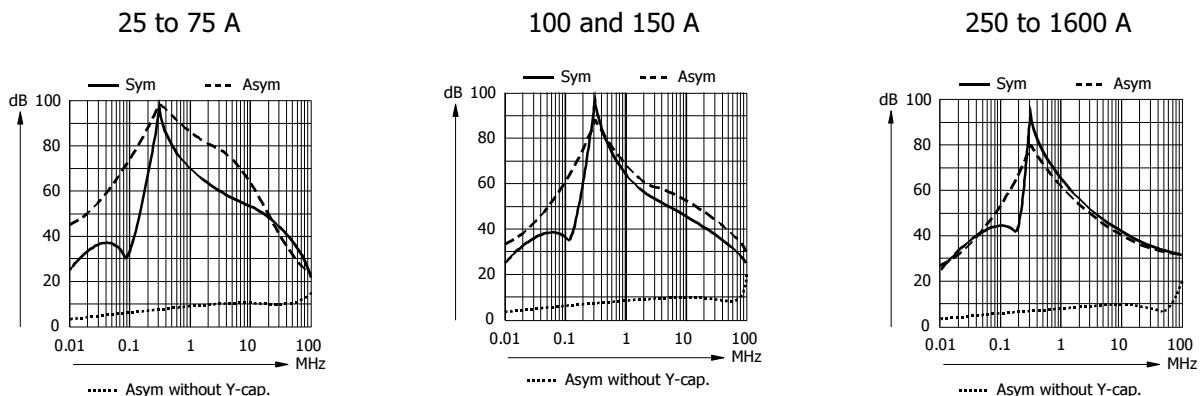


The FLLE2...PV-series is designed according to IEC/EN 60939 and UL 1283.

Part Number	Rated current @ 55°C (A)	Power loss @ 25°C/DC (W)	Weight (kg)
FLLE2025APVR1	25	8	1
FLLE2050APVR1	50	12	2
FLLE2075APVR1	75	16	2
FLLE2100APVR1	100	20	3
FLLE2150APVR1	150	30	4
FLLE2250APVI1	250	10	5
FLLE2400APVI1	400	15	7
FLLE2600APVI1	600	25	7
FLLE2800APVI1	800	30	10
FLLE21K0APVI1	1000	45	10
FLLE21K6APVI1	1600	70	16

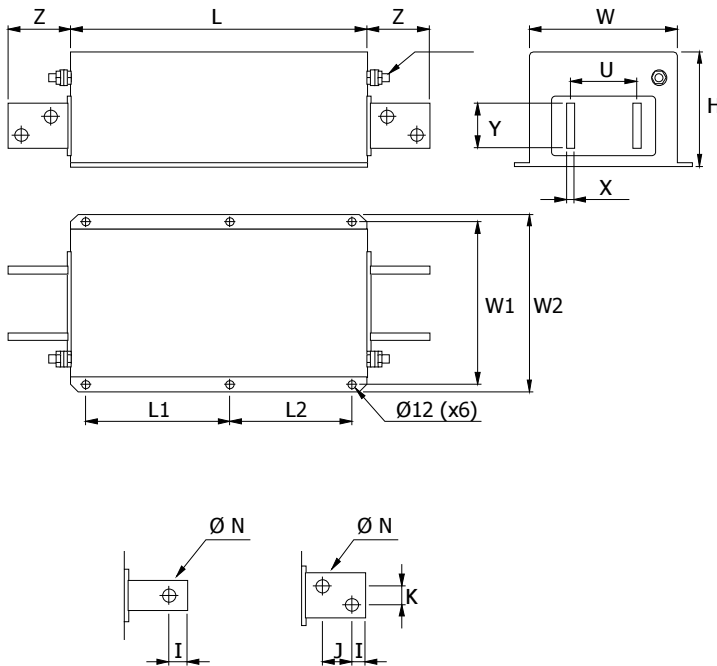
NOTE: For filters without Y-capacitors substitute PV with PX in the part number.

### Typical insertion loss



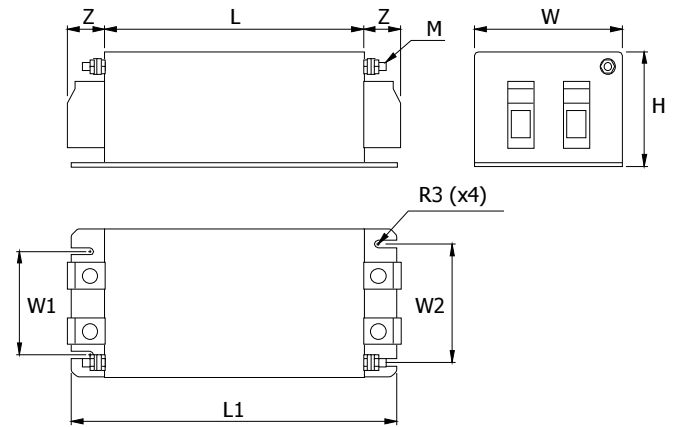
### Mechanical dimensions

FLLE2 ... PVI1 Busbar connections



250 to 1000A      1600 A

FLLE2 ... PVR1 Terminal blocks



**Terminal blocks – wire dimensions**

25A	16/10mm <sup>2</sup> (solid/flexible)
50A	35/25
75A	35/25
100A	50/50
150A	95/95

Part Number	Dimensions in mm															
	L	W	H	L1	L2	W1	W2	U	X	Y	Z	I	J	K	N	M
FLLE2025APVR1	140	80	65	170		45	60				25					M5
FLLE2050APVR1	170	95	80	200		60	75				39					M6
FLLE2075APVR1	170	95	80	200		60	75				39					M6
FLLE2100APVR1	190	125	95	220		80	100				45					M8
FLLE2150APVR1	220	140	115	250		100	120				50					M10
FLLE2250APVI1	300	130	110	130	110	155	180	70	5	20	58	15			9	M10
FLLE2400APVI1	300	140	110	130	110	165	190	70	6	25	58	15			10.5	M10
FLLE2600APVI1	300	140	110	130	110	165	190	70	8	25	58	15			10.5	M10
FLLE2800APVI1	300	150	140	130	110	175	200	70	8	40	65	20			14	M12
FLLE21K0APVI1	300	150	140	130	110	175	200	70	8	40	65	20			14	M12
FLLE21K6APVI1	300	150	150	130	110	175	200	70	10	60	110	17	43	26	14	M12

### Legal disclaimer notice

All product specifications, statements, information and data (collectively, the "information") are subject to change without notice.

All information given herein is believed to be accurate and reliable, but is presented without guarantee, warranty, or responsibility of any kind, expressed or implied.

Statements of suitability for certain applications are based on our knowledge of typical operating conditions for such applications, but are not intended to constitute – and we specifically disclaim – any warranty concerning suitability for a specific customer application or use.

This information is intended for use only by customers who have the requisite experience and capability to determine the correct products for their applications. Any technical advice inferred from this information or otherwise provided by us with reference to the use of our

products is given gratis, and we assume no obligation or liability for the advice given or results obtained.

Although we design and manufacture our products to the most stringent quality and safety standards, given the current state of the art, isolated component failures may still occur. Accordingly, customer applications which require a high degree of reliability or safety should employ suitable designs or other safeguards (such as installation of protective circuitry or redundancies) in order to ensure that failure of an electrical component does not result in a risk of personal injury or property damage.

Although all product-related warnings, cautions and notes must be observed, the customer should not assume that all safety measures are indicated or that other measures may not be required.



Компания «ЭлектроПласт» предлагает заключение долгосрочных отношений при поставках импортных электронных компонентов на взаимовыгодных условиях!

Наши преимущества:

- Оперативные поставки широкого спектра электронных компонентов отечественного и импортного производства напрямую от производителей и с крупнейших мировых складов;
- Поставка более 17-ти миллионов наименований электронных компонентов;
- Поставка сложных, дефицитных, либо снятых с производства позиций;
- Оперативные сроки поставки под заказ (от 5 рабочих дней);
- Экспресс доставка в любую точку России;
- Техническая поддержка проекта, помощь в подборе аналогов, поставка прототипов;
- Система менеджмента качества сертифицирована по Международному стандарту ISO 9001;
- Лицензия ФСБ на осуществление работ с использованием сведений, составляющих государственную тайну;
- Поставка специализированных компонентов (Xilinx, Altera, Analog Devices, Intersil, Interpoint, Microsemi, Aeroflex, Peregrine, Syfer, Eurofarad, Texas Instrument, Miteq, Cobham, E2V, MA-COM, Hittite, Mini-Circuits, General Dynamics и др.);

Помимо этого, одним из направлений компании «ЭлектроПласт» является направление «Источники питания». Мы предлагаем Вам помощь Конструкторского отдела:

- Подбор оптимального решения, техническое обоснование при выборе компонента;
- Подбор аналогов;
- Консультации по применению компонента;
- Поставка образцов и прототипов;
- Техническая поддержка проекта;
- Защита от снятия компонента с производства.



#### Как с нами связаться

**Телефон:** 8 (812) 309 58 32 (многоканальный)

**Факс:** 8 (812) 320-02-42

**Электронная почта:** [org@eplast1.ru](mailto:org@eplast1.ru)

**Адрес:** 198099, г. Санкт-Петербург, ул. Калинина, дом 2, корпус 4, литера А.