

## 5V/3.4A Dual Cell Battery Power Manager

### FEATURES

- Dedicated Single-chip Integrated Battery Power Manager
- Dual Cell Battery Charger with Cell Balancing Management
- Auto Detection support USB BC1.2, Chinese YD/T 1591-2009, Apple 2.4A, and Samsung Devices
- Passed Apple MFi Test
- 4.5V-5.5V Input Voltage with 3.8A Input Current Limit
- 2.4A+1.0A Dual Outputs with CC Regulation
- 5.07V $\pm$ 1% Output with Prioritized Power Path from Input to Output
- 4.2V/4.35V  $\pm$ 0.5% Battery Charge Voltage Accuracy of Each Cell
- Output Plug-in Detection Wakeup and No Load Detection Sleep Mode
- Optimized Power Path and Battery Charge Control
- <10uA Low Battery Drainage Current
- I2C Port for Optimal System Performance and Status Reporting
- Configurable Charge, Discharge and HZ modes
- >92% Charge and Discharge Efficiency at 3.4A Output for Full Battery Range
- 4 Modes of LED Operation
- Capability to Charge Wearable Devices
- Weak Input Sources Accommodation
- Safety:
  - Input Over-voltage Protection
  - Nearly Zero Power Short Circuit Protection
  - Output Over-voltage Protection

- Battery Over-charge and Over-discharge Protections

- Charge/Discharge Thermal Regulation

- TQFN5x5-40 Package

### APPLICATIONS

- Backup Battery Pack
- Power Bank
- Dual Cell Boost Battery Charger
- Bluetooth Speaker
- Standalone Battery Charger with USB Output

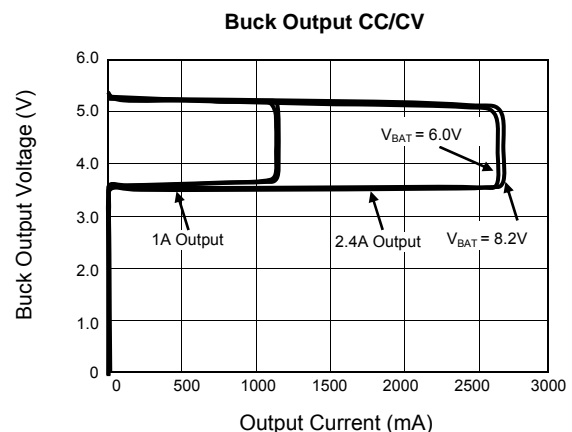
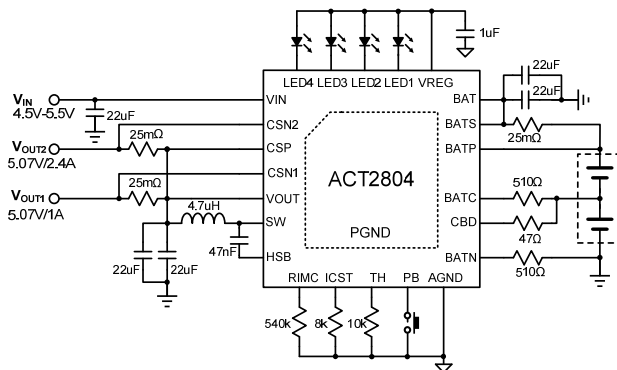
### GENERAL DESCRIPTION

ACT2804 is a space-saving and dedicated single-chip solution for dual-cell battery charge and discharge. It takes 5V USB input source to charge a dual cell battery with boost configuration in three phases: preconditioning, constant current, and constant voltage. Charge is terminated when the current reaches 10% of the fast charge rate. The battery charger is thermally regulated at 110°C with charge current foldback.

If input 5V is not present, ACT2804 discharge a dual cell battery with buck configuration to provide 5.07V $\pm$ 1% to output ports. There is a power path from input to output. The cycle-by-cycle peak current mode control, constant current regulation, short circuit protection and over voltage protection maximize safe operation.

ACT2804 provides 4 LED drive pins for battery capacity level and charge status indication to indicate 25%, 50%, 75%, and 75% above battery level with battery impedance compensation. The LED indication patterns are programmable.

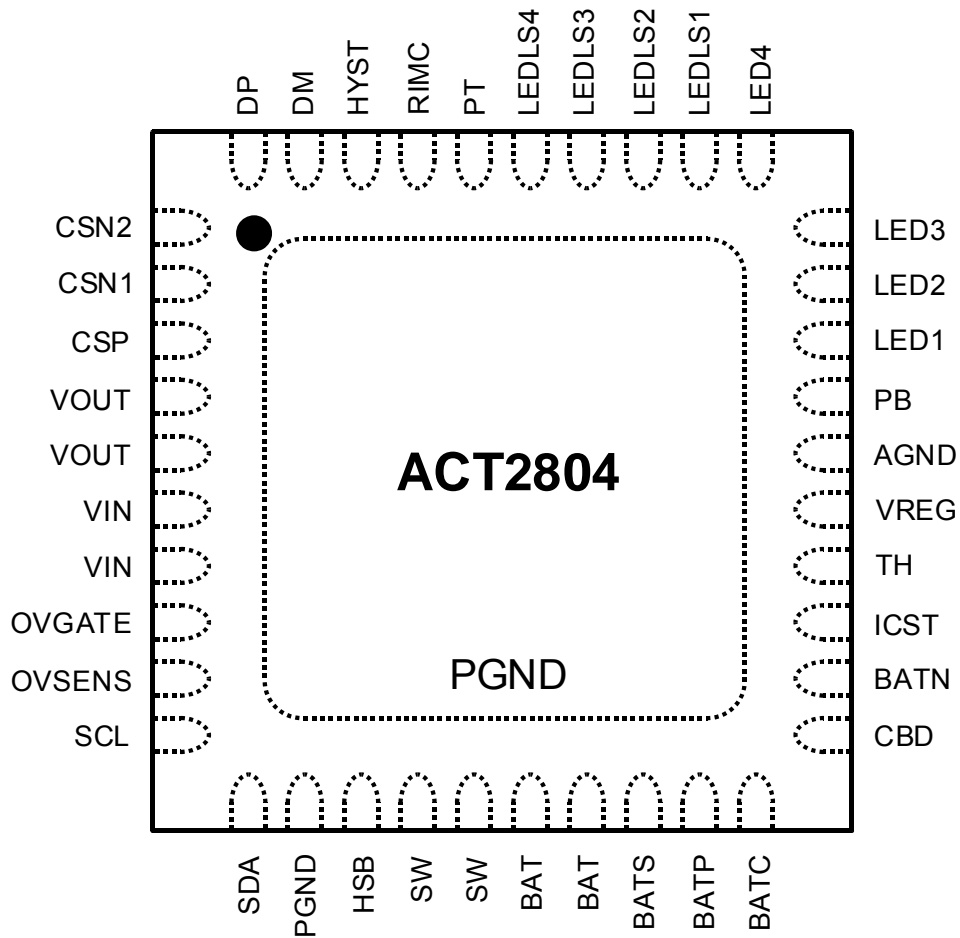
ACT2804 is available in a thermally enhanced 5mmx5mm QFN55-40 package with exposed pad.



## ORDERING INFORMATION

PART NUMBER	BATTERY CELL VOLTAGE	JUNCTION TEMPERATURE	PACKAGE	PINS
ACT2804QJ-T	4.20V	-40°C to 150°C	QFN55-40	40
ACT2804QJ-T0435	4.35V	-40°C to 150°C	QFN55-40	40

## PIN CONFIGURATION



**TOP VIEW**

## PIN DESCRIPTIONS

PIN	NAME	DESCRIPTION
1	CSN2	Output current sense negative input for channel 2.
2	CSN1	Output current sense negative input for channel 1.
3	CSP	Output current sense positive input.
4, 5	VOUT	Power Output Pin.
6, 7	VIN	USB or AC Adapter input.
8	OVGATE	Output to drive optional external NMOS protect IC from over voltage.
9	OVSSENS	USB or AC Adapter input sense.
10	SCL	I2C clock input.
11	SDA	I2C data input.
12	PGND	Power ground. Directly connect this pin to IC thermal PAD and connect 10uF or 22uF high quality capacitors from BAT to PGND on the same layer with IC.
13	HSB	High side bias pin. Connect a 47nF ceramic capacitor from HSB to SW.
14,15	SW	Internal switch connected to a terminal of the output inductor.
16,17	BAT	BAT connection. Connect it to battery current sense positive terminal. Bypass BAT pin to PGND pin with high quality ceramic capacitors on the same layer with IC.
18	BATS	Battery charge current sense input. Connect to charge sense resistor positive terminal with Kevin sense.
19	BATP	Connect to charge sense resistor negative terminal and battery positive terminal.
20	BATC	Battery central point connection. Connect to dual battery cell common terminal.
21	CBD	Cell balancing discharge. Connect to a discharge resistor from this pin to battery common terminal.
22	BATN	Battery negative terminal.
23	ICST	Fast charge current setting pin. Connect a resistor from this pin to AGND to set the charging current. The current setting ranges from 0.5A-1.8A. The voltage at this pin reflects the charge current and discharge current in charge mode and discharge mode, respectively.
24	TH	Temperature sensing input. Connect to a battery thermistor terminal.
25	VREG	+5V Bias output. Connect a 1.0uF to this pin. This pin supplies up to 50mA output current. The bias turns on in charge mode and discharge mode. Internal register bit can shut down the bias. Bias turns off in HZ mode.

## PIN DESCRIPTIONS

PIN	NAME	DESCRIPTION
26	AGND	Logic ground output. Connect this pin to the exposed PGND pad on same layer with IC.
27	PB	Push button input. When this pin is pushed for more than 40ms, LED1-4 indicators are enabled for 5 seconds.
28	LED1	Battery level indicator.
29	LED2	Battery level indicator.
30	LED3	Battery level indicator.
31	LED4	Battery level indicator.
32	LEDLS1	LED1 threshold level shift. Connect a resistor from the pin to AGND to shift LED1 threshold.
33	LEDLS2	LED2 threshold level shift. Connect a resistor from the pin to AGND to shift LED2 threshold.
34	LEDLS3	LED3 threshold level shift. Connect a resistor from the pin to AGND to shift LED3 threshold.
35	LEDLS4	LED4 threshold level shift. Connect a resistor from the pin to AGND to shift LED4 threshold.
36	PT	LED indication mode input. The 5 modes of LED indication patterns are set by a voltage at this pin. Connect a resistor at the pin to set the voltage and an LED indication pattern.
37	RIMC	RIMC Battery impedance compensation input.
38	HYST	The hysteresis window setting input. Connect a resistor at the pin to set the hysteresis windows for LED1, 2, 3, 4.
39	DM	Output port auto detection input. Connected to portable device D-.
40	DP	Output port auto detection input. Connected to portable device D+.
41	PGND	Exposed pad. Must be soldered to ground plane layer(s) on the PCB for best electrical and thermal conductivity.

## ABSOLUTE MAXIMUM RATINGS<sup>①</sup>

PARAMETER	VALUE	UNIT
LEDLS1, LEDLS2, LEDLS3, LEDLS4, RIMC, HYST and PT to GND	-0.3 to +6	V
LED1, LED2, LED3 and LED4 to GND	-0.3 to +6	V
PB, DM, DP, TH, SCL, SDA and ICST to GND	-0.3 to +6	V
OVSSENS to GND	-0.3 to +16	V
OVGATE to GND	-0.3 to +12	V
VIN, VOUT and VREG to GND	-0.3 to +6	V
CSP to CSN2, CSP to CSN1, CSP to VOUT	-0.3 to +0.3	V
BAT to BATS, BATS to BATP	-0.3 to +0.3	V
BATC to BATN	-0.3 to +6	V
BAT to BATC	-0.3 to +6	V
BATN to GND	-0.3 to +0.3	V
CBD to BAT	-6 to +0.3	V
BATN to CBD	-6 to +0.3	V
SW to PGND	-0.3 to +12	V
HSB to SW	-0.3 to +6	V
Junction to Ambient Thermal Resistance ( $\theta_{JA}$ )	40	°C/W
Operating Junction Temperature ( $T_J$ )	-40 to 150	°C
Operating Temperature Range ( $T_A$ )	-40 to 85	°C
Store Temperature	-55 to 150	°C
Lead Temperature (Soldering, 10 sec)	300	°C

Do not exceed these limits to prevent damage to the device. Exposure to absolute maximum rating conditions for long periods may affect device reliability.

## ELECTRICAL CHARACTERISTICS

 ( $V_{IN} = 5V$ ,  $T_A = 25^\circ C$ , unless otherwise specified.)

PARAMETER	TEST CONDITIONS	MIN	TYP	MAX	UNIT
<b>Input Current Limit, Over Voltage Protection, Output Under Voltage Protection</b>					
Input Voltage Range		4.5		5.5	V
Input Over Voltage Protection	VIN rising, V <sub>IN_OVP</sub>	5.5	5.7	6.0	V
Input Over Voltage Hysteresis	VIN falling, V <sub>IN_OVP_HYST</sub>		290		mV
Input Under Voltage Lock-Out	VIN rising, V <sub>IN_UVLO</sub>		4.2		V
Input Under Voltage Lock-Out Hysteresis	VIN falling, V <sub>IN_UVLO_HYST</sub>		200		mV
Input Current Limit Setting Range		-10%	3.8	+10%	A
Output Under voltage protection (UVP)	VOUT falling, V <sub>OUT_UVP</sub>		3.65		V
Output Under Voltage Protection Hysteresis	VOUT rising, V <sub>OUT_UVP_HYST</sub>		200		mV
Q1 wait time in hiccup mode			3		s
<b>Boost Mode/Charge Mode</b>					
Switching Frequency		-15%	400	+15%	KHz
Precondition Voltage Threshold of Each Cell	VBAT1,2 rising		2.8		V
Preconditioning current	Percentage of fast charge current		15		%
Boost Charger UVLO	VOUT rising, BST_UVLO		4.2		V
Battery End-Of-Charge Voltage	VBAT_EOC (ACT2804QJ-T)	-0.5%	4.2	+0.5%	V
	VBAT_EOC (ACT2804QJ-T0435)	-0.5%	4.35	+0.5%	V
End of Charge Detection Current	Percentage of fast charge current		10		%
<b>Buck mode/Discharge</b>					
Buck Under Voltage Lock-Out	VABT falling, VBAT1, 2		2.9		V
VOUT Output Regulation Voltage	REG3[1:0]=00, Default		5.07		V
	REG3[1:0]=01		5.12		V
	REG3[1:0]=10		5.17		V
	REG3[1:0]=11		5.22		V
VOUT1 and VOUT2 Current Limit	RCS1=25mΩ, ICC1	1.05	1.25	1.40	A
	RCS2=25mΩ, ICC2	2.45	2.65	2.85	A

## ELECTRICAL CHARACTERISTICS

 ( $V_{IN} = 5V$ ,  $T_A = 25^\circ C$ , unless otherwise specified.)

PARAMETER	TEST CONDITIONS	MIN	TYP	MAX	UNIT
Buck Converter Under Voltage Protection Threshold	VOUT falling goes into hiccup		3.65		V
Buck Converter Over Voltage Protection Threshold	VOUT rising, BCK_OVP		5.7		V
Buck Convert Hiccup Time			3.4		s
Buck Converter Light-Load Cut-off Current		5	10	15	mA
Buck Converter Light-Load Cut-off Deglitch Time			12.5		s
High Side Switch Peak Current Limit	All condition	4.5			A
Over Temperature Protection	OTP		160		$^\circ C$
Over Temperature Protection Hysteresis	OTP_HYST		20		$^\circ C$
<b>Battery Protection</b>					
Battery Over Charge Current		2.6	3		A
Battery Over Voltage	Percentage of EOC Voltage	101.5	102.5	103.5	%
Battery Under Voltage and Short Circuit Protection			1.6		V
Preconditioning timer	If timer expires, goes to latch-off		1		hr
TH Pull-up Current	Charge mode		140		$\mu A$
	Discharge mode		100		$\mu A$
TH High Threshold	Charge mode		2.5		V
	Discharge mode		2.5		V
TH Low Threshold	Charge mode		1		V
	Discharge mode		0.57		V
<b>System Management</b>					
VREG Output Current			50		mA
PB Rising Threshold	PB rising, discharge mode		0.95		V
PB Falling Threshold	PB falling, discharge mode		0.75		V
PB internal pull up resistance	Pull up to internal supply		1.2		M $\Omega$
Fault Condition Alarm Frequency	0.5s on and 0.5s off		1.0		Hz
Fault Condition Alarm Timer			10		s

## ELECTRICAL CHARACTERISTICS

(V<sub>IN</sub> = 5V, T<sub>A</sub> = 25°C, unless otherwise specified.)

PARAMETER	TEST CONDITIONS	MIN	TYP	MAX	UNIT
<b>LED Indication</b>					
LED1-4 Indication Level Setting		5.5		8.8	V
LED Sink Current			3		mA
LED1-4 Scan Interval	For each LED pattern before lighting LEDs		0.5		s

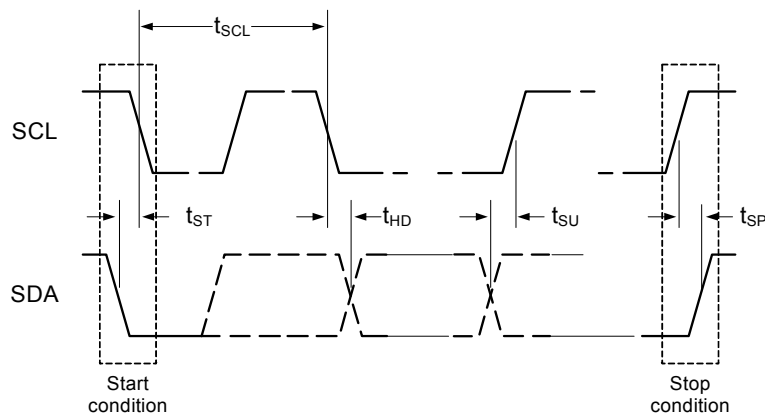


## ELECTRICAL CHARACTERISTICS

( $V_{IN} = 5V$ ,  $T_A = 25^\circ C$ , unless otherwise specified.)

PARAMETER	TEST CONDITIONS	MIN	TYP	MAX	UNIT
SCL, SDA Input Low	$V_{CC} = 5V$			0.4	V
SCL, SDA Input High	$V_{CC} = 5V$	1.25			V
SDA Leakage Current	SDA=5V			1	$\mu A$
SDA Output Low	$I_{OL} = 5mA$			0.35	V
SCL Clock Frequency, $f_{SCL}$		0		1000	kHz
SCL Low Period, $t_{LOW}$		0.5			$\mu s$
SCL High Period, $t_{HIGH}$		0.26			$\mu s$
SDA Data Setup Time, $t_{SU}$		50			ns
SDA Data Hold Time, $t_{HD}$	See Note: 1	0			ns
Start Setup Time, $t_{ST}$	For Start Condition	260			ns
Stop Setup Time, $t_{SP}$	For Stop Condition	260			ns
Capacitance on SCL or SDA Pin				10	pF
SDA Fall Time SDA, $T_{of}$	Device requirement			120	ns
Rise Time of both SDA and SCL, $t_r$	See Note: 3			120	ns
Fall Time of both SDA and SCL, $t_f$	See Note: 3			120	ns
Pulse Width of spikes must be suppressed on SCL and SDA		0		50	ns

- Notes:
1. Comply to I2C timings for 1MHIZ operation - "Fast Mode Plus"
  2. No internal timeout for I2C operations
  3. This is a I2C system specification only. Rise and Fall time of SCL & SDA not controlled by the device.
  4. Device Address is 7'h5A - Read Address is 8'hB4 and write is 8'hB5



## I<sup>2</sup>C DESCRIPTION

### PROGRAMMABLE PARAMETER LIST

ITEMS	STEP/STATUS	DEFAULT	COMMENT
<b>Input Current Limit and Q1</b>			
Input Current Limit	0.6A, 1.25A, 2.75A, 3.8A	3.8A	+/-10%
VIN UVLO	4.2V, 4.5V	4.2V	
<b>Buck Converter/Discharge Mode</b>			
Discharge Cut-Off Voltage	2.7V, 2.8V, 2.9V, 3.0V	2.9V	
VOUT1 and VOUT2 Current Limit	1.25A/2.6A or 2.6A/1.25A	1.25A/2.65A	Switch by I2C
VOUT Voltage	5.07V, 5.12V, 5.17V, 5.22V	5.07V	
<b>Boost Converter/Charge Mode</b>			
Battery EOC Voltage	4.35V, 4.20V, 4.15V, 4.1V	4.20V (ACT2804QJ-T) 4.35V (ACT2804QJ-T0435)	
Pre-charge voltage threshold	2.8V, 3.0V	2.8V	
Pre-charge Current	10%, 15%, 20%, 25%	15%	
EOC Current	6%, 10%, 14%, 18%	10%	
Fast charge current	60%, 80%, 100%, 120%	100%	
<b>System</b>			
VCC ON/OFF in HZ Mode	ON, OFF	OFF	

## CUSTOMER REGISTER MAP

Add-ress	Name	Type	Reset Value	7	6	5	4	3	2	1	0
1	Master	R/W	8'h00	Spare	Spare	Force Standby <b>0: No Force</b> 1: Force	Disable Light Load <b>0: Enable</b> 1: Disable	Disable Battery Cell Balance <b>0: Enable</b> 1: Disable	Mask Faults <b>0: No Mask</b> 1: Mask	Clear Faults <b>0: No Clear</b> 1: Clear Faults	Soft Reset <b>0: No Re-set</b> 1: Reset
2	Config System	R/W	8'h00	Spare	Spare	Spare	LED Indication Lock-out <b>0: 0s</b> 1: 30s	Spare	LED Scan Disable <b>0: Enable</b> 1: Disable	LED Always Display During Discharge <b>0: Disable</b> 1: Enable	LED Breathing PWM Period <b>0: 2s</b> 1: 3s
3	Config Discharge	R/W	8'h88	VIN Current Limit 00: 2.75A 01: 0.6A 10: 3.8A 11: 1.15A		VIN UVLO Level <b>0: 4.2V</b> 1: 4.5V	Spare	Battery Discharge Cut-Off Voltage 00: 2.7V 10: <b>2.9V</b>	Battery Discharge Cut-Off Voltage 01: 2.8V 11: 3.0V	Spare	Spare
4	Config Charge	R/W	8'h99	Charge Time after EOC 0: 0s 1: <b>45mins</b>	Battery Pre-Condition Voltage Level <b>0: 2.8V</b> 1: 3.0V	Battery Pre-Condition Current Level 00: 10% 10: 20% <b>01: 15%</b> 11: 25%	Spare	Spare	Spare	Battery EOC Current Level 00: 6% 10: 14% <b>01: 10%</b> 11: 18%	Spare
5	Config Charge & System	R/W	8'h92	Battery Fast Charge Current Level 00: 60% 10: <b>100%</b> 01: 80% 11: 120%		VREG ON/OFF in HZ Mode <b>0: OFF</b> 1: ON	HZ Latch-Off 0: No Latch-Off 1: <b>Latch-Off</b>	Spare	Cell Balance Hysteresis <b>0: 120mV</b> 1: 60mV	Thermistor Thresholds 0: Single 1: <b>Dual</b>	Spare
6	System Status	R	8'h00	DC-DC Operation Mode <b>00: Disabled</b> 10: Discharge Used 01: Charge 11: Not		Battery Charging Status <b>00: Trickle</b> 01: Pre-Condition 10: Fast Charge 11: Top Off	USB Device Status <b>0: Not Connected</b> 1: Connected	Spare	Spare	Spare	Spare
7	System Fault	R	8'h00	VIN UV/OV <b>0: No Fault</b> 1: Fault	VOUT UV/OV <b>0: No Fault</b> 1: Fault	Over-Temperature <b>0: No Fault</b> 1: Fault	Discharging Thermal Fold-back <b>0: No Fault</b> 1: Fault	Flash Light Over-Current <b>0: No Fault</b> 1: Fault	Spare	Spare	Spare
8	Battery Fault	R	8'h00	Battery Over-Temperature <b>0: No Fault</b> 1: Fault	Battery Under-Temperature <b>0: No Fault</b> 1: Fault	Battery Over-Voltage <b>0: No Fault</b> 1: Fault	Battery Cut-Off <b>0: No Fault</b> 1: Fault	Battery Short & Pin Fault <b>0: No Fault</b> 1: Fault	Battery Over-Current <b>0: No Fault</b> 1: Fault	Battery Trickle/Pre-Condition Timer Expire <b>0: No Fault</b> 1: Fault	Battery Low <b>0: No Fault</b> 1: Fault

## FUNCTIONAL DESCRIPTION

ACT2804 is a complete battery charging and discharging power management solution for applications of dull-cell lithium-based backup battery pack or power bank.

With the advanced bidirectional architecture, a synchronous boost/buck converter is connected from VOUT to switching node (SW). The converter could be configured as either boost to charge battery or buck to discharge battery.

### Modes of Operation

ACT2804 has 3 operation modes: charge mode, discharge mode, and high-impedance (HZ) mode.

#### High Impedance (HZ) Mode

HZ mode is the default mode. In HZ mode, all the switches are turned off, only PB circuit alive and the IC draws less than 10uA current from VBAT.

#### Discharge Mode

In discharge mode, Buck converter operates in CV/CC regulation. VOUT1 current limit is set at 1.25A and VOUT2 current limit is set at 2.65A.

#### Charge Mode

ACT2804 is configured in charge mode (boost mode) when VIN is valid. In this mode, a battery is charged with trickle, preconditioning, fast charge, top-off and end of charge (EOC). The typical charge management is shown in Figure 1.

#### Precondition Charge

When operating in precondition state, the cell is charged at a reduced current at 15% of the programmed maximum fast charge constant current. Once V<sub>BAT</sub> reaches the precondition threshold voltage the state machine jumps to the fast charge state.

#### Fast Charge

If battery voltage is above preconditioning

threshold, boost converter charges battery with constant current. In fast charge state, the ACT2804 charges at the current set by the external resistor connected at the ICST pin. During a normal charge cycle fast charge continues in CC mode until V<sub>BAT</sub> reaches the charge termination voltage, at which point the ACT2804 charges in top off state.

#### Top Off

Device transitions from Fast Charge (CC) to Top Off (CV), and moves to EOC (End of Charge) state when charging current is less than I<sub>EOC</sub>.

#### End of Charge

In Top Off mode, when charges current decreases to 10% of set fast charge current, the boost converter goes into end of charge mode and keep monitoring the battery voltage.

#### Recharge

In EOC, device would re-charge batteries when both battery voltage levels drops 5% below V<sub>EOC</sub>.

#### Battery Removal

If the battery is removed, boost converter regulates at the programmed regulation voltage.

#### Cell Balance

Cell Balance is activated in both Fast Charge and Top Off modes. Each battery is connected with a parallel bleeding switch.

#### Push Button

PB is always watched in HZ mode and discharge mode. If the push but on PB is pressed for >40mS in HZ mode, the LED (s) will turn on for 5 seconds. In the mean time, discharge mode is enabled.

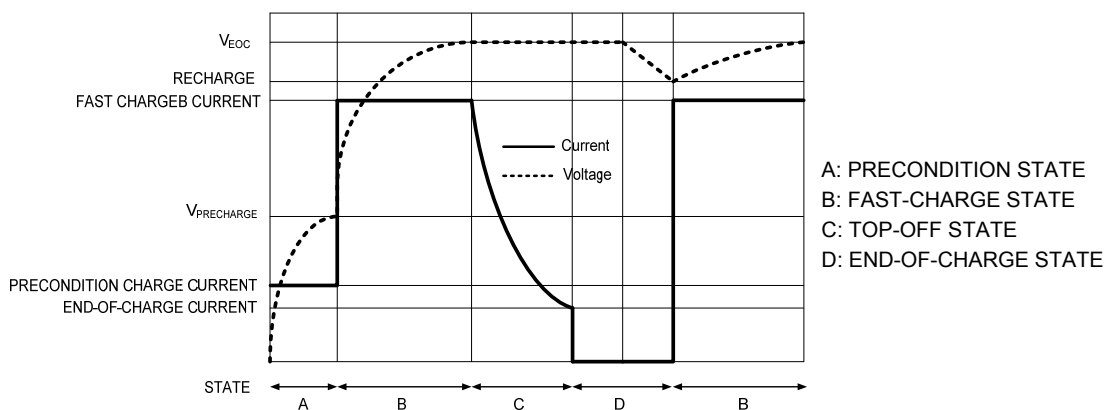


Figure 1. Typical Li+ Charge Profile and ACT2804 Charge States

## APPLICATIONS INFORMATION

### Fast Charge Current Control

The block diagram in Figure 2 shows how battery current is sensed for charge current control.

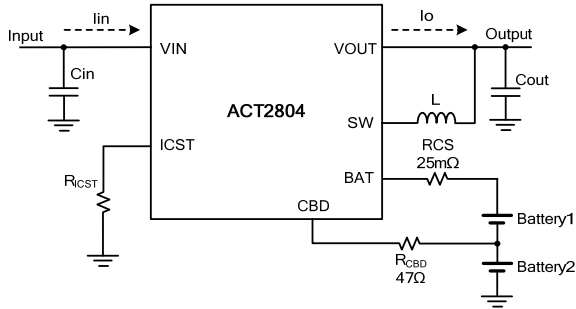


Figure 2: Battery current monitoring

A small percentage of charge current is sensed and sunk into a resistor connected at pin ICST. In charge mode, this would allow user to set fast charge current based on the following equation.

$$I_c(A) = \frac{1000}{5 * R_{CS}(m\Omega) * R_{ICST}(k\Omega)} \quad (1)$$

For example,  $I_c=1A$  with  $R_{CS}=25m\Omega$  and  $R_{ICST}=8k\Omega$ .

Recommended RICST is shown in following table:

I <sub>c</sub> (A)	R <sub>ICST</sub>		Units
	R <sub>CS</sub> =25mΩ	R <sub>CS</sub> =50mΩ	
0.8	10	5	kΩ
0.9	8.89	4.44	kΩ
1.0	8	4	kΩ
1.1	7.27	3.64	kΩ
1.2	6.67	3.33	kΩ
1.3	6.15	3.08	kΩ
1.4	5.71	2.86	kΩ
1.5	5.33	2.67	kΩ

During discharge mode, inputs of battery current sense amp are flipped to sense discharge current, and voltage level at pin ICST can be used (by the system) to monitor the magnitude of discharge current based on the following equation.

$$V_{ICST} = \frac{I_{DISCHARGE} * R_{ICST}}{20k\Omega} \quad (2)$$

For example:  $V_{ICST}=0.4V$  with  $I_{DISCHARGE}=1A$ , and  $R_{ICST}=8k\Omega$ .

### LED Threshold Setting

LED1, LED2, LED3 and LED4 thresholds are adjustable with external resistors R<sub>LS1</sub>, R<sub>LS2</sub>, R<sub>LS3</sub>,

and R<sub>LS4</sub> connected from LEDLS1, LEDLS2, LEDLS3, LEDLS4 to APNG respectively, as shows in Figure3.

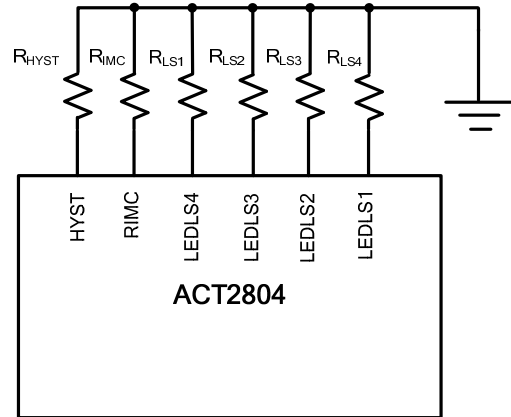


Figure 3: LED threshold setting

The following equation shows how the external resistor shifts the LED thresholds. The range of LED1 - LED4 indicator threshold shift from 5.5V - 8.8V.

$$V_{LEDX}(V) = 5.5V + \frac{108k\Omega}{R_{LSx}(k\Omega)} \quad (3)$$

VLED Example is given by the below table:

R <sub>LSx</sub> (kΩ)	V <sub>LEDx</sub> (V)	R <sub>LSx</sub> (kΩ)	V <sub>LEDx</sub> (V)
40	8.2	72	7
43.2	8	90	6.7
47	7.798	108	6.5
49.1	7.7	120	6.4
57	7.395	135	6.3
60	7.3	180	6.1
67.5	7.1	270	5.9

### LED Hysteresis Window Setting

The adjustable LED voltage thresholds are set for HZ mode. In charge mode, the measured battery voltage is higher than in HZ mode, while in discharge mode, the measured battery voltage is lower. To have relatively better “fuel gauge” for battery, a programmable hysteresis window will help. When the battery voltage goes up (in charge mode), the thresholds become higher, when the battery voltage goes down, lower thresholds are applied.

ACT2804 provide HYST pin to set hysteresis window for each indication level as shows in Figure 3 .

## APPLICATIONS INFORMATION

HYST pin is regulated at 1V. Its input current will determine hysteresis adjustment equally to all level. Connect HYST to AGND via a resistor to set hysteresis window.

Beside the hysteresis window, to avoid comparison oscillation, fixed 100mV of hysteresis is added to each LEVEL comparator.

Hysteresis window is given by below equation:

$$HYST (V) = \frac{54K}{R_{HYST} (K\Omega)} \quad (4)$$

$$V_{HYST}(4:3) = 0.5 * HYST \quad V_{HYST}(2:1) = 0.6 * HYST \quad (5)$$

Then RHYST Example is given by the below table:

R <sub>HYST</sub> (kΩ)	LED1 VHYST	LED2 VHYST	LED3 VHYST	LED4 VHYST
Floating	0mV	0mV	0mV	0mV
270	120mV	120mV	100mV	100mV
135	240mV	240mV	200mV	200mV
90	360mV	360mV	300mV	300mV
67.5	480mV	480mV	400mV	400mV
54	600mV	600mV	500mV	500mV
45	720mV	720mV	600mV	600mV

### Battery Impedance Compensation

To avoid the number of LEDs changes between charge and discharge modes. Internal impedance compensation circuit is built in. An external resistor is used to set the impedance from 100mΩ to 800mΩ. RIMC is corresponding to battery impedance. The LED1-4 thresholds shifted up and down based on the product of charge/discharge current and set impedance. RIMC value is given by below equation.

$$R_{IMC} (k\Omega) = 2160k\Omega \times \frac{R_{CS} (m\Omega)}{R_{BAT} (m\Omega)} \quad (6)$$

In case not using compensation, float RIMC then there is no compensation affects to trig-points.

RIMC example is given by the below table:

RBAT (mΩ)	100	200	300	400	500	600	700
RCS = 25 mΩ	540k	270k	180k	135k	108k	90k	77k
RCS = 50 mΩ	1080k	540k	360k	270k	216k	180k	154k

### Battery Temperature Monitoring

The ACT2804 monitors the battery pack temperature by measuring TH voltage at the TH pin as shows in Figure 4. The TH pin is connected to the thermistor resistor net which includes a negative temperature coefficient thermistor. An internal current source provides a bias current to generate

TH voltage. The ACT2804 compares the voltage at the TH pin with the internal V<sub>THH</sub> and V<sub>THL</sub> thresholds to determine if charging or discharging is allowed. When V<sub>TH</sub> < V<sub>THL</sub> or V<sub>TH</sub> > V<sub>THH</sub>, it will be triggered latch off fault, there is 3 ways to wake up ACT2804 when V<sub>TH</sub> returns to the normal range.

1. Push PB when latch off bit is not set
2. I<sup>2</sup>C to clear faults in standby
3. Plug Vin to power up

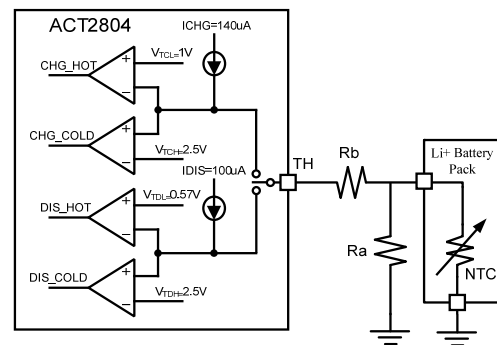


Figure 4: Thermistor setting

$$V_{TCL} = I_{CHG} \times R_{chot} \quad (7)$$

$$V_{TCH} = I_{CHG} \times R_{cold} \quad (8)$$

$$R_{chot} = R_b + \frac{R_a \times R_{NTCh}}{R_a + R_{NTCh}} \quad (9)$$

$$R_{cold} = R_b + \frac{R_a \times R_{NTCc}}{R_a + R_{NTCc}} \quad (10)$$

R<sub>NTCc</sub>: NTC Resistor at cold temperature (Tcold)

R<sub>NTCh</sub>: NTC Resistor at hot temperature (Thot)

From (7) (8) (9) and (10) calculate Ra and Rb in charge mode, as the same method, the resistors in discharge mode can be calculated.

For example, use NXRT15XH103 NTC resistor, the temperature in charge mode is 0°C to 45°C, we know R<sub>NTCc</sub>=27.219k and 4.917k at 0°C to 45°C, respectively. We can calculate Ra=33kΩ and Rb=2.87kΩ based on the above formulas. As the same method we can calculate the value when the temperature is -20°C to 60°C.

### Cell Balance Setting

ACT2804 has integrated a cell balance feature to reduce the un-balance charge between dual batteries. Normally cell balance is activated during Fast Charge and Top Off modes.

## APPLICATIONS INFORMATION

In charge mode, the battery charger provides bias current to balance battery charge. The balance resistor is either connected to upper battery or lower battery depending on which battery voltage is higher. The balance resistor is connected in parallel with one battery that is higher than the other battery. For extremely unbalanced 2S batteries, the charger takes a few cycles to make two battery voltage balanced. For some applications, like removable dual cell batteries, a charger is required to balance dual cells in one charge cycle. In this case, the circuit shown in Figure 5 is recommended. The balance current through the 22 Ohm resistor needs to be higher than EOC current threshold.

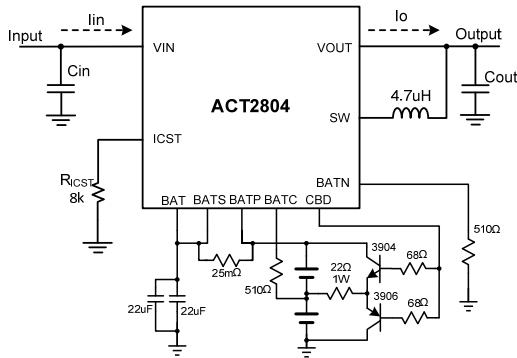
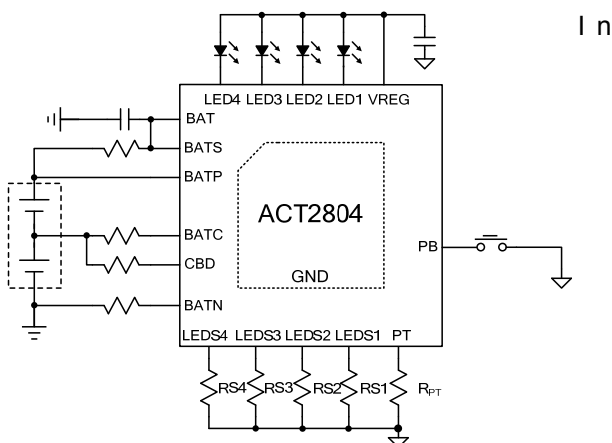


Figure 5: Cell balance

### LED Indication

ACT2804 is designed 5 levels of PT pin voltage into 5 application patterns. A resistor is connected from PT pin to ground and the voltage at PT pin programs the LED indication patterns shown in Figure 6.

Figure 6: LED Indication



discharge mode, when battery voltage goes below LED1 threshold, LED1 starts flashing until Buck (discharge mode) turns off due to either light load or Buck UVLO. The flash frequencies for all the LEDs

are 0.5Hz with 1s on and 1s off.

In HZ mode, when PB is pressed for 40ms, Buck turns on. If VBAT<LED1, LED1 starts flashing until Buck turns off.

Conventional indication patterns could behave to have two application. Setting R<sub>PT</sub>=4kΩ to have “Always On”, setting R<sub>PT</sub>=12kΩ to have “5s Indication”. The behaviors for both setting are same in charge mode.

See below table for more information.

#	INDICATION PATTERN	R <sub>PT</sub>
1a	<b>Conventional</b> Always On In Discharge	4kΩ
1b	<b>Conventional</b> 5s Indication in Discharge	12kΩ
2	<b>Breathing</b> 5s Indication in Discharge	24kΩ
3	<b>Bottom Charging</b> 5s Indication in Discharge	40kΩ
4	<b>Circulating</b> 5s Indication in Discharge	56kΩ

Below shows 4 LED indication patterns.

	Conventional	Bottom Charging	Circulating	Breathing
<25%	⊗⊗⊗⊗	⊗⊗⊗⊗	⊗⊗⊗⊗	⊗⊗⊗⊗
25%≤SOC<50%	⊗⊗⊗⊗	⊗⊗⊗⊗	⊗⊗⊗⊗	⊗⊗⊗⊗
50%≤SOC<75%	⊗⊗⊗⊗	⊗⊗⊗⊗	⊗⊗⊗⊗	⊗⊗⊗⊗
75%≤SOC<100%	⊗⊗⊗⊗	⊗⊗⊗⊗	⊗⊗⊗⊗	⊗⊗⊗⊗
EOC	⊗⊗⊗⊗	⊗⊗⊗⊗	⊗⊗⊗⊗	⊗⊗⊗⊗

⊗ Flash                      ⊗ Circulating on                      ⊗ Always on  
 ⊗ Breathing on/off                      ⊗ Off

### LED1-4 Refreshing Cycle

Every time when VIN is plugged in or a PB is pushed, LED1, 2, 3, 4 turns on sequentially at 0.5s interval, like a LED scanning, and then goes into corresponding mode defined by PT pin.

### LED1-4 Fault Alarm Signal

At fault conditions, actions are taken. In the meantime, all the 4 LEDs turn on/off with 0.5s on and 0.5s off for 10 seconds to send alarm signal out. The fault conditions include battery OVP, UVP, OTP.

### PCB Board Layout Guidance

When laying out the printed circuit board, the following checklist should be used to ensure proper operation of the IC.

1. Arrange the power components to reduce the AC loop area.

## APPLICATIONS INFORMATION

2. Place the decoupling ceramic capacitor as close to BAT pin as possible. Use different capacitance combination to get better EMI performance.
3. Place the decoupling ceramic capacitors close to VIN pin, VOUT pin, and BAT pin.
4. Use copper plane for power GND for best heat dissipation and noise immunity.
5. Connect battery with the sequence of BATN->BATP->BATC.
6. Use Kelvin sense from sense resistors to CSP and CSN1, CSN2 pins, and the sense resistor from BATS and BATP pins.
7. SW pad is a noisy node switching. It should be isolated away from the rest of circuit for good EMI and low noise operation.
8. Thermal pad is connected to GND layer through vias. PGND and AGND should be single-point connected.
9. RC snubber and external Schottky diode across SW to PGND can be added as needed for reducing SW spike and better EMI performance.



## APPLICATIONS SCHEMATIC

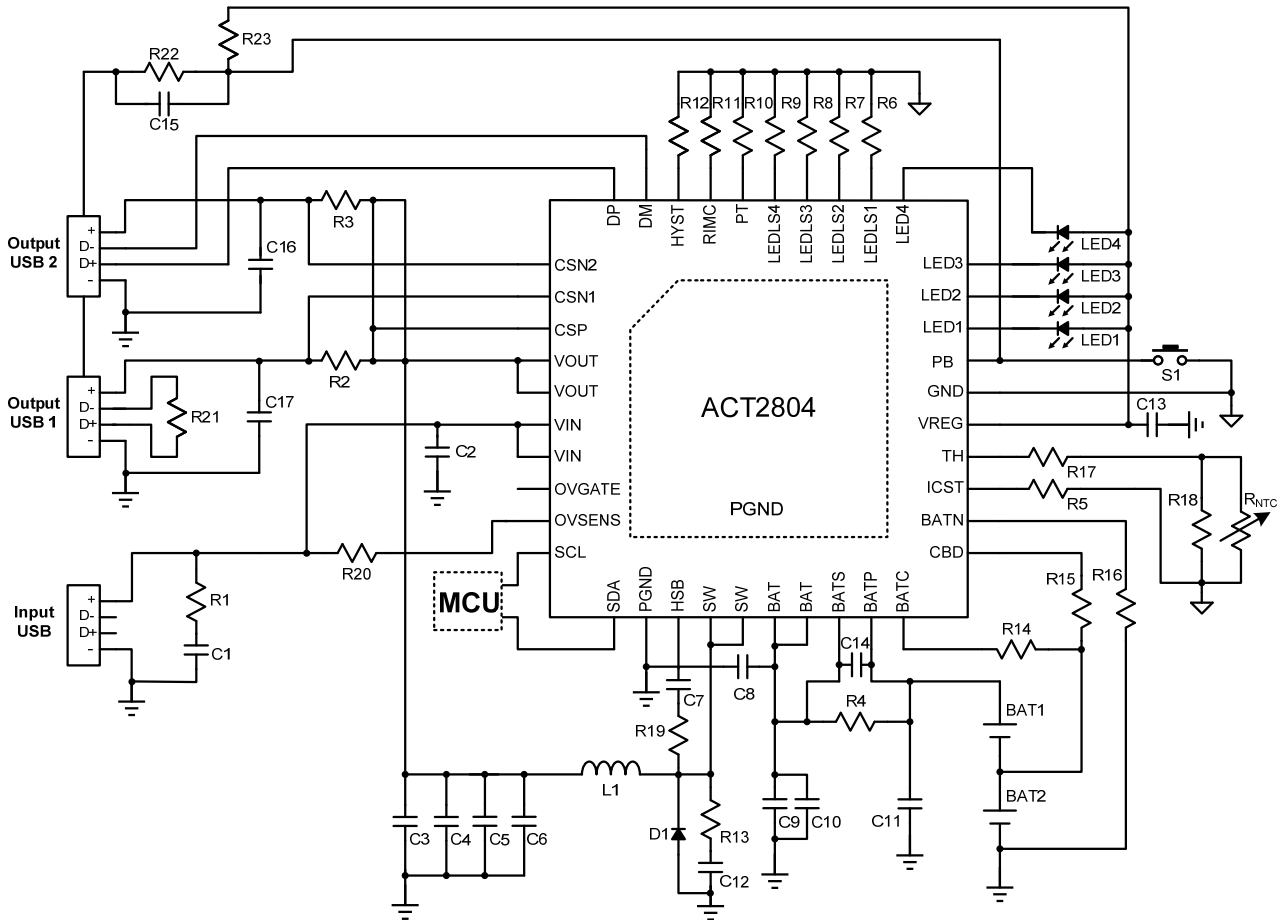


Figure 7. ACT2804 typical application circuit

(Input current limit 3.8A, fast charge current limit 1.0A, discharge output constant current 2.4A+1A)

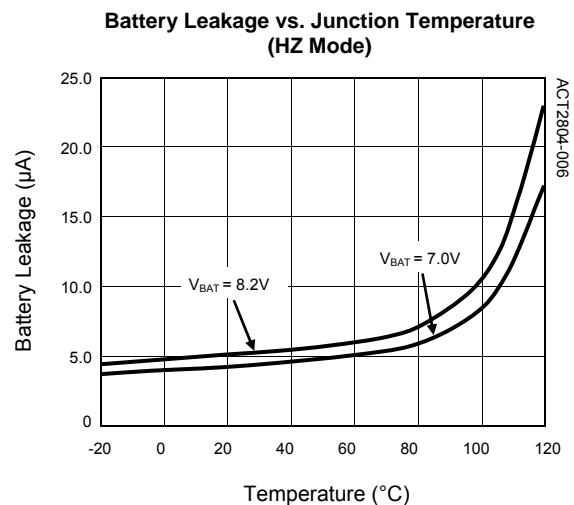
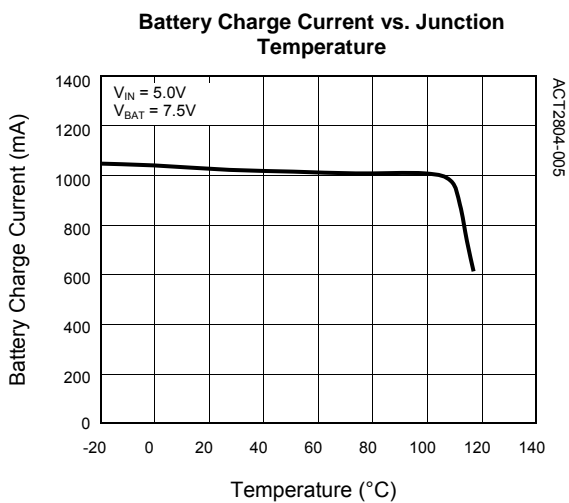
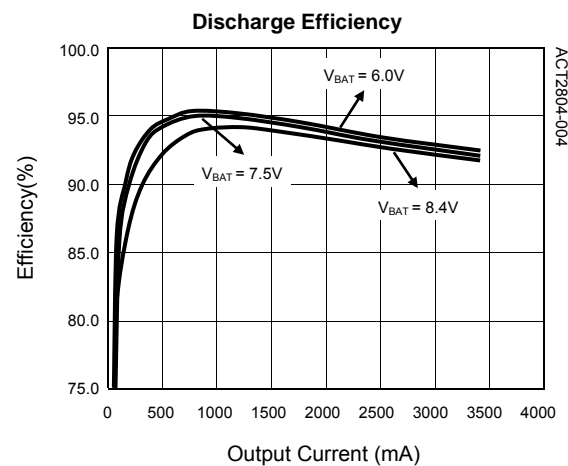
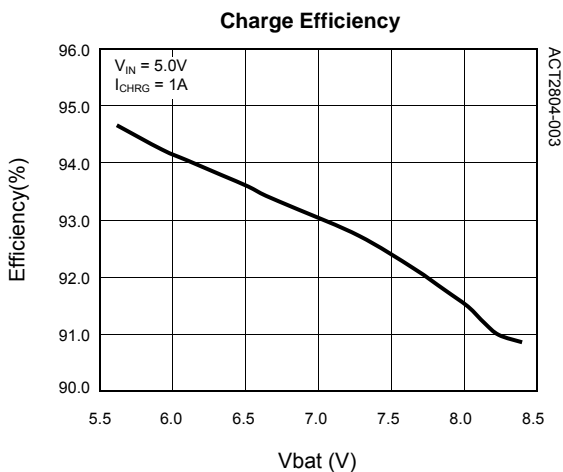
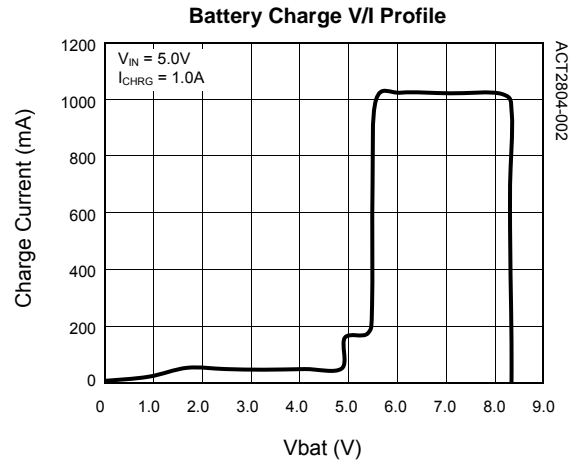
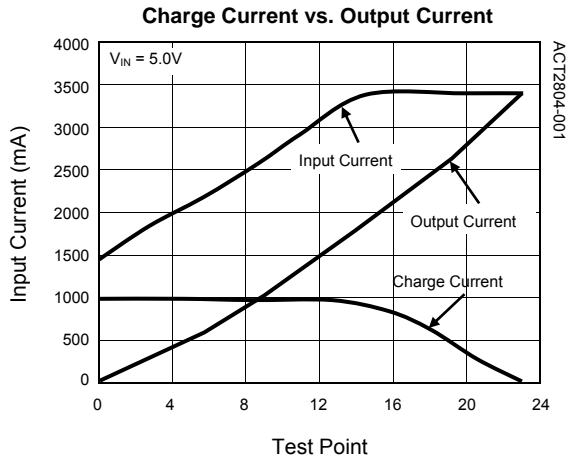
Charge: Cold: 0°C, Hot: 45°C. Discharge: Cold: -20°C, Hot: 60°C.

**Table 5: BOM List**

ITEM	REFERENCE	DESCRIPTION	QTY	MANUFACTURER
1	C1	Ceramic capacitor, 4.7uF/10V, X7R, 0805	1	Murata/TDK
2	C2,C3,C4,C5	Ceramic capacitor, 22uF/10V, X7R, 1206	4	Murata/TDK
3	C8,C10,C11	Ceramic capacitor, 22uF/16V, X7R, 1206	3	Murata/TDK
4	C6,C9	Ceramic capacitor, 0.1uF/16V, X7R, 0603	2	Murata/TDK
5	C7	Ceramic capacitor, 47nF/10V, X7R, 0603	1	Murata/TDK
6	C12	Ceramic capacitor, 2.2nF/16V, X7R, 0603	1	Murata/TDK
7	C13	Ceramic capacitor, 1uF/10V, X7R, 0603	1	Murata/TDK
8	C14	Ceramic capacitor, 100nF/16V, X7R, 0603	1	Murata/TDK
9	C15	Ceramic capacitor, 2.2uF/10V, X7R, 0603	1	Murata/TDK
10	C16,C17	Ceramic capacitor, 3.3uF/10V, X7R, 0603	2	Murata/TDK
11	D1	MBR1020VL, 20V, 1A Schottky, optional	1	Panjit
12	L1	Core SWPA8040S4R7NT 4.7uH 5.9A	1	Sunlord
13	LED1,LED2, LED3,LED4	LED, 0603, Blue	4	LED Manu
14	R1	Chip Resistor, 2.7Ω, 1/8W, 1%, 0805	1	Murata/TDK
15	R2,R3,R4	Chip Resistor, 25mΩ, 1/2W, 1%, 1206	3	SART
16	R5	Chip Resistor, 8kΩ, 1/10W, 1%, 0603	1	Murata/TDK
17	R6	Chip Resistor, 83kΩ, 1/10W, 1%, 0603	1	Murata/TDK
18	R7	Chip Resistor, 63.5kΩ, 1/10W, 1%, 0603	1	Murata/TDK
19	R8	Chip Resistor, 51.4kΩ, 1/10W, 1%, 0603	1	Murata/TDK
20	R9	Chip Resistor, 41.5kΩ, 1/10W, 1%, 0603	1	Murata/TDK
21	R10	Chip Resistor, 12kΩ, 1/10W, 5%, 0603	1	Murata/TDK
22	R11,R12	Chip Resistor, 540kΩ, 1/10W, 1%, 0603	2	Murata/TDK
23	R13	Chip Resistor, 0.47Ω, 1/8W, 5%, 0805	1	Murata/TDK
24	R14,R16	Chip Resistor, 510Ω, 1/10W, 1%, 0603	2	Murata/TDK
25	R15	Chip Resistor, 47Ω, 1/2W, 5%, 1206	1	Murata/TDK
26	R17	Chip Resistor, 3kΩ, 1/10W, 1%, 0603	1	Murata/TDK
27	R18	Chip Resistor, 32kΩ, 1/10W, 1%, 0603	1	Murata/TDK
28	R19	Chip Resistor, 10Ω, 1/10W, 1%, 0603	1	Murata/TDK
29	R20	Chip Resistor, 200Ω, 1/10W, 5%, 0603, optional	1	Murata/TDK
30	R21	Chip Resistor, 100Ω, 1/10W, 5%, 0603	1	Murata/TDK
31	R22, R23	Chip Resistor, 715kΩ, 1/10W, 5%, 0603	2	Murata/TDK
32	R <sub>NTC</sub>	103AT NTC Thermistor, NXRT15XH103V	1	Murata/TDK
33	PB	Push Button Switch	1	Nikkai Omron
34	USB	10.2*14.6*7mm, 4P	2	
35	Micro-USB	MICRO USB 5P/F SMTB	1	
36	U1	IC, ACT2804, QFN 55-40	1	Active-Semi

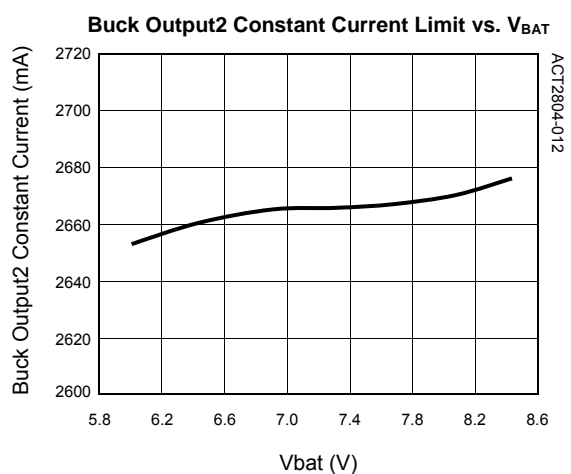
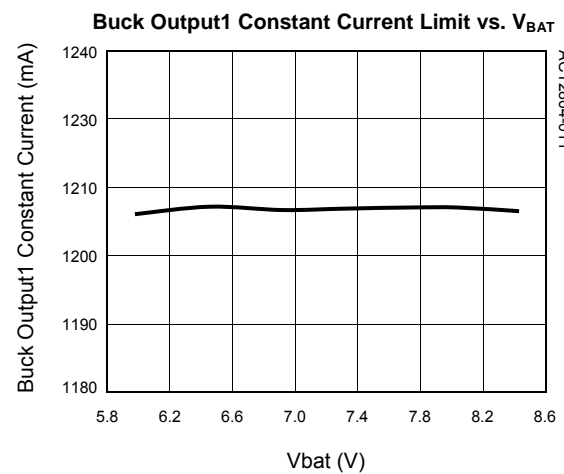
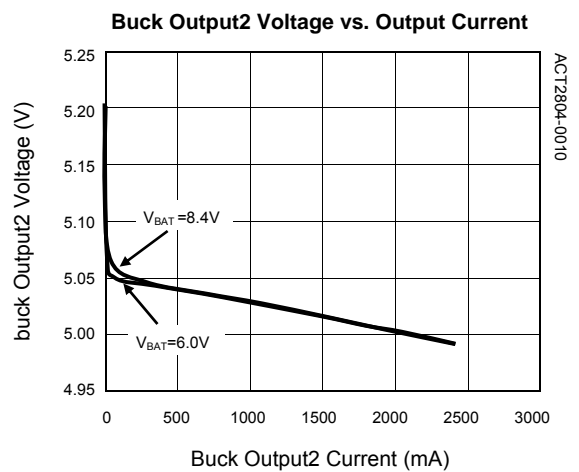
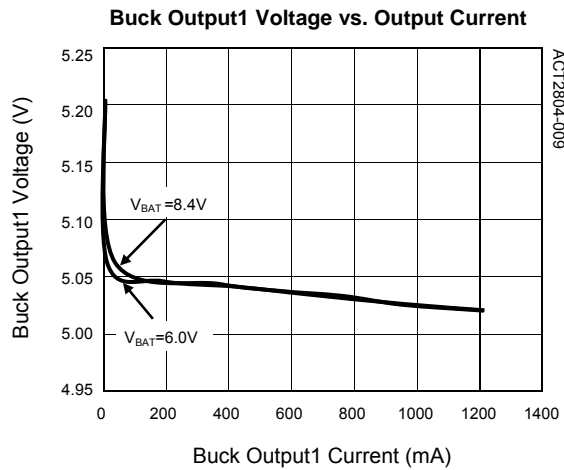
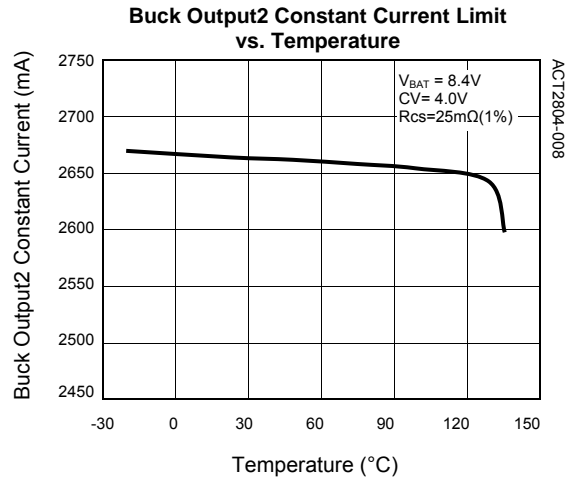
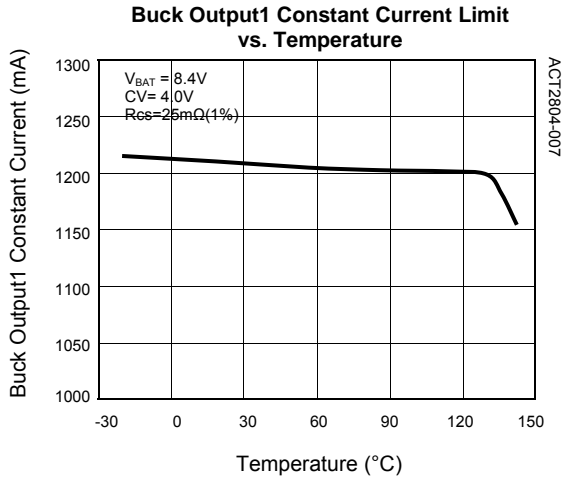
## TYPICAL PERFORMANCE CHARACTERISTICS CONT'D

(Schematic as show in Figure 7, Ta = 25°C, unless otherwise specified)



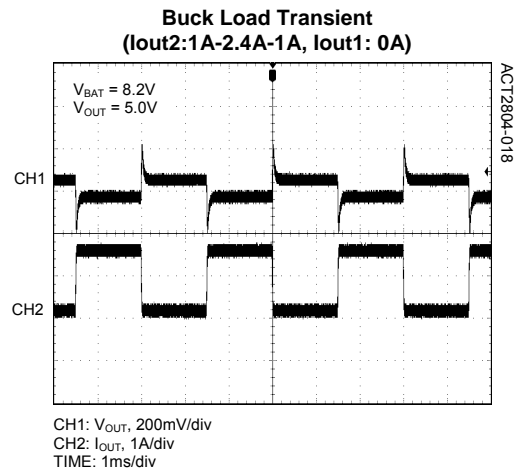
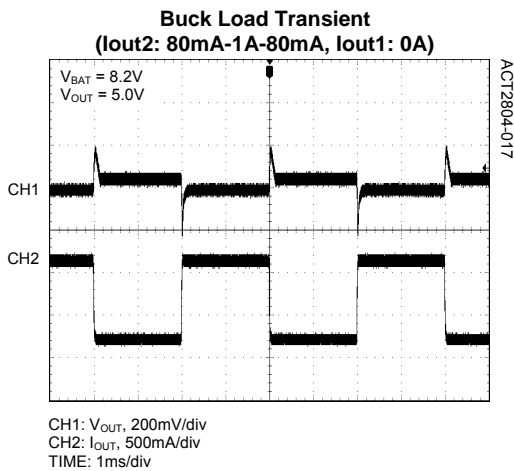
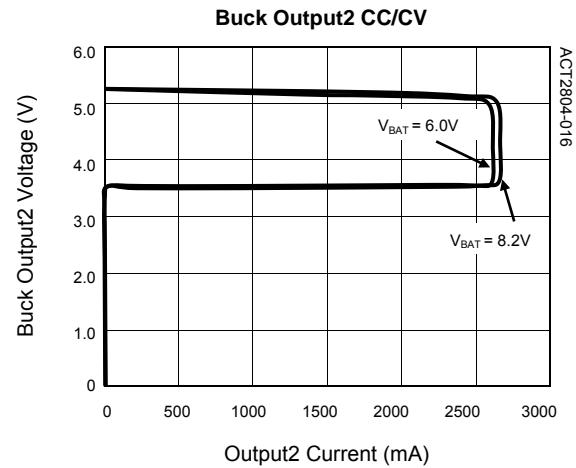
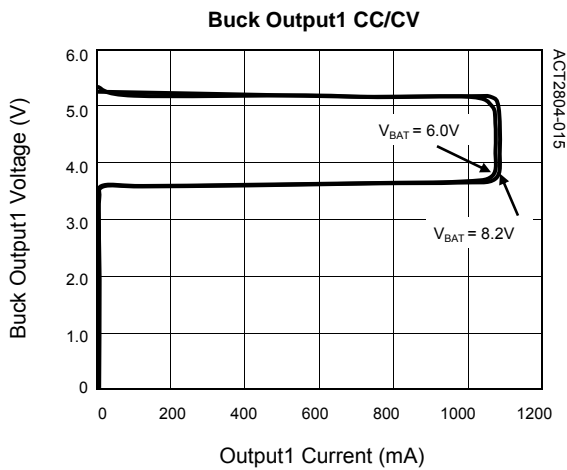
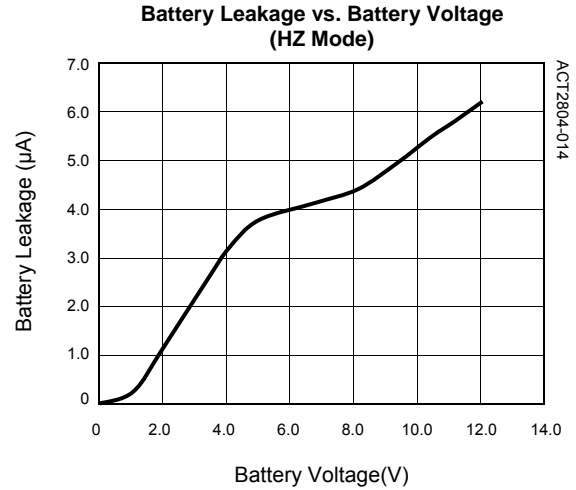
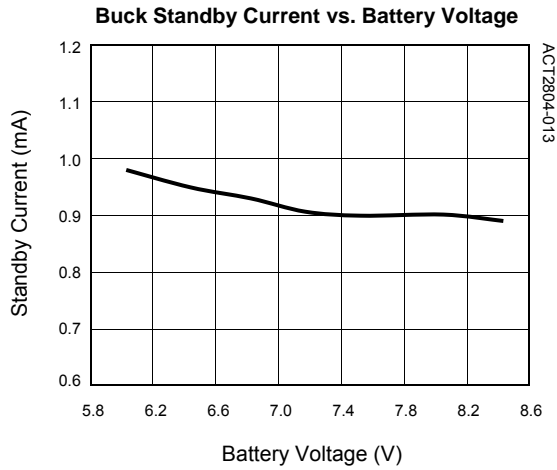
## TYPICAL PERFORMANCE CHARACTERISTICS CONT'D

(Schematic as show in Figure 7, Ta = 25°C, unless otherwise specified)



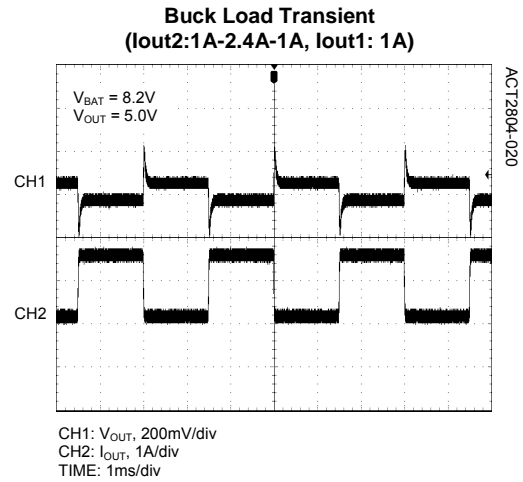
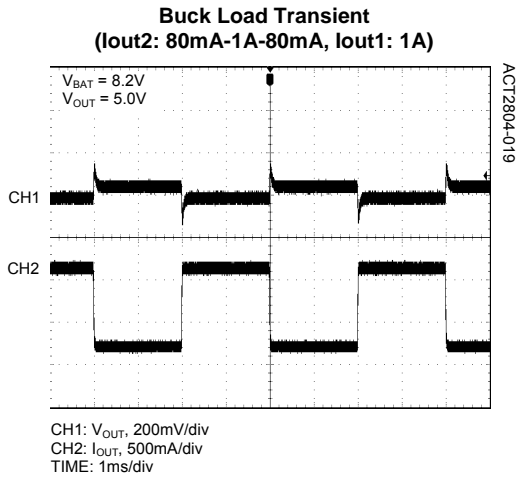
## TYPICAL PERFORMANCE CHARACTERISTICS CONT'D

(Schematic as show in Figure 7, Ta = 25°C, unless otherwise specified)



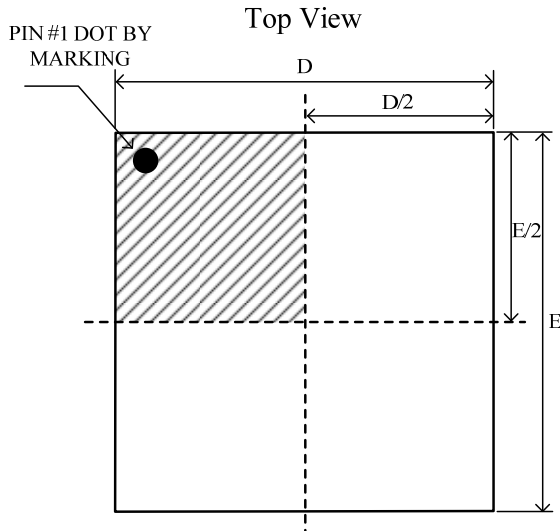
## TYPICAL PERFORMANCE CHARACTERISTICS CONT'D

(Schematic as show in Figure 7, Ta = 25°C, unless otherwise specified)

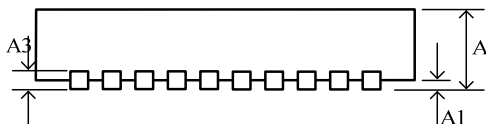
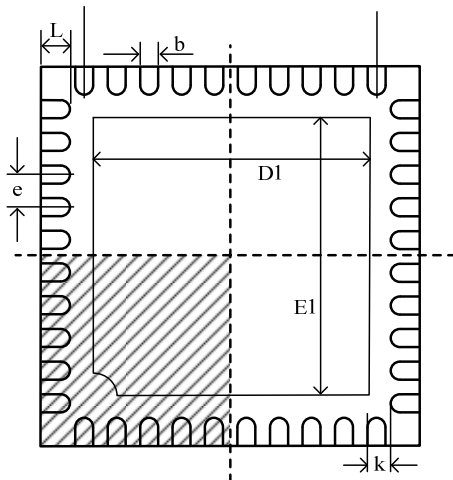


## PACKAGE OUTLINE

### QFN55-40 PACKAGE OUTLINE AND DIMENSIONS




Bottom View



SYMBOL	DIMENSION IN MILLIMETERS		DIMENSION IN INCHES	
	MIN	MAX	MIN	MAX
A	0.700	0.800	0.028	0.031
A1	0.000	0.050	0.000	0.002
A3	0.203 REF		0.008 REF	
b	0.150	0.250	0.006	0.010
D	4.924	5.076	0.194	0.200
E	4.924	5.076	0.194	0.200
D1	3.300	3.500	0.130	0.138
E1	3.300	3.500	0.130	0.138
e	0.400 TYP		0.016 TYP	
L	0.324	0.476	0.013	0.019
k	0.200 MIN		0.008 MIN	

Active-Semi, Inc. reserves the right to modify the circuitry or specifications without notice. Users should evaluate each product to make sure that it is suitable for their applications. Active-Semi products are not intended or authorized for use as critical components in life-support devices or systems. Active-Semi, Inc. does not assume any liability arising out of the use of any product or circuit described in this datasheet, nor does it convey any patent license.

Active-Semi and its logo are trademarks of Active-Semi, Inc. For more information on this and other products, contact [sales@active-semi.com](mailto:sales@active-semi.com) or visit <http://www.active-semi.com>.

 is a registered trademark of Active-Semi.



Компания «ЭлектроПласт» предлагает заключение долгосрочных отношений при поставках импортных электронных компонентов на взаимовыгодных условиях!

Наши преимущества:

- Оперативные поставки широкого спектра электронных компонентов отечественного и импортного производства напрямую от производителей и с крупнейших мировых складов;
- Поставка более 17-ти миллионов наименований электронных компонентов;
- Поставка сложных, дефицитных, либо снятых с производства позиций;
- Оперативные сроки поставки под заказ (от 5 рабочих дней);
- Экспресс доставка в любую точку России;
- Техническая поддержка проекта, помощь в подборе аналогов, поставка прототипов;
- Система менеджмента качества сертифицирована по Международному стандарту ISO 9001;
- Лицензия ФСБ на осуществление работ с использованием сведений, составляющих государственную тайну;
- Поставка специализированных компонентов (Xilinx, Altera, Analog Devices, Intersil, Interpoint, Microsemi, Aeroflex, Peregrine, Syfer, Eurofarad, Texas Instrument, Miteq, Cobham, E2V, MA-COM, Hittite, Mini-Circuits, General Dynamics и др.);

Помимо этого, одним из направлений компании «ЭлектроПласт» является направление «Источники питания». Мы предлагаем Вам помощь Конструкторского отдела:

- Подбор оптимального решения, техническое обоснование при выборе компонента;
- Подбор аналогов;
- Консультации по применению компонента;
- Поставка образцов и прототипов;
- Техническая поддержка проекта;
- Защита от снятия компонента с производства.



#### Как с нами связаться

**Телефон:** 8 (812) 309 58 32 (многоканальный)

**Факс:** 8 (812) 320-02-42

**Электронная почта:** [org@eplast1.ru](mailto:org@eplast1.ru)

**Адрес:** 198099, г. Санкт-Петербург, ул. Калинина, дом 2, корпус 4, литера А.