

EVALUATION KIT  
AVAILABLE**MAXIM**

# 256-Tap, Nonvolatile, SPI-Interface, Digital Potentiometers

## General Description

The MAX5422/MAX5423/MAX5424 nonvolatile, linear-taper, digital potentiometers perform the function of a mechanical potentiometer, but replace the mechanics with a simple 3-wire SPI™-compatible digital interface. Each device performs the same function as a discrete potentiometer or variable resistor and has 256 tap points.

The devices feature an internal, nonvolatile EEPROM used to store the wiper position for initialization during power-up. The 3-wire SPI-compatible serial interface allows communication at data rates up to 5MHz, minimizing board space and reducing interconnection complexity in many applications.

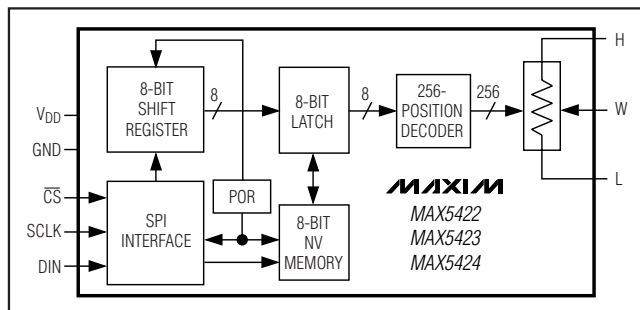
The MAX5422/MAX5423/MAX5424 provide three nominal resistance values: 50kΩ (MAX5422), 100kΩ (MAX5423), or 200kΩ (MAX5424). The nominal resistor temperature coefficient is 35ppm/°C end-to-end and only 5ppm/°C ratiometric. This makes the devices ideal for applications requiring a low-temperature-coefficient variable resistor, such as low-drift, programmable gain-amplifier circuit configurations.

The MAX5422/MAX5423/MAX5424 are available in a 3mm x 3mm 8-pin TDFN package, and are specified over the extended -40°C to +85°C temperature range.

## Applications

Mechanical Potentiometer Replacement  
Low-Drift Programmable Gain Amplifiers  
Audio Volume Control  
Liquid-Crystal Display (LCD) Contrast Control  
Low-Drift Programmable Filters

## Functional Diagram

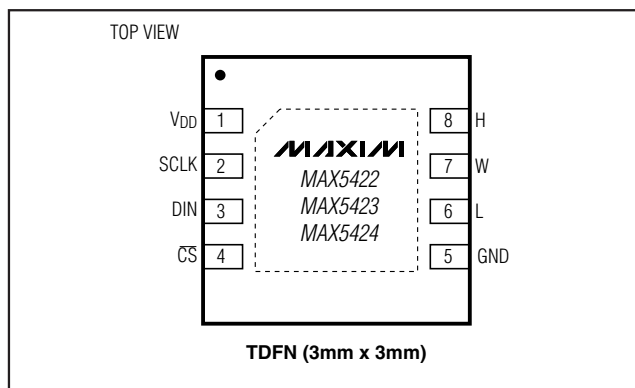


## Features

- ◆ Wiper Position Stored in Nonvolatile Memory (EEPROM) and Recalled Upon Power-Up or Interface Command
- ◆ 3mm x 3mm x 0.8mm TDFN Package
- ◆ 35ppm/°C End-to-End Resistance Temperature Coefficient
- ◆ 5ppm/°C Ratiometric Temperature Coefficient
- ◆ 50kΩ, 100kΩ, and 200kΩ Resistor Values
- ◆ 5MHz SPI-Compatible Serial Interface
- ◆ 500nA (typ) Static Supply Current
- ◆ Single-Supply Operation: +2.7V to +5.25V
- ◆ 256 Tap Positions
- ◆ ±0.5 LSB DNL in Voltage-Divider Mode
- ◆ ±0.5 LSB INL in Voltage-Divider Mode

SPI is a trademark of Motorola, Inc.

## Pin Configuration



## Ordering Information/Selector Guide

| PART       | TEMP RANGE     | END-TO-END RESISTANCE (kΩ) | PIN-PACKAGE | TOP MARK |
|------------|----------------|----------------------------|-------------|----------|
| MAX5422ETA | -40°C to +85°C | 50                         | 8 TDFN-EP*  | AIJ      |
| MAX5423ETA | -40°C to +85°C | 100                        | 8 TDFN-EP*  | AIL      |
| MAX5424ETA | -40°C to +85°C | 200                        | 8 TDFN-EP*  | AIH      |

\*EP = Exposed pad.

**MAXIM**

Maxim Integrated Products 1

For pricing, delivery, and ordering information, please contact Maxim/Dallas Direct! at 1-888-629-4642, or visit Maxim's website at [www.maxim-ic.com](http://www.maxim-ic.com).

MAX5422/MAX5423/MAX5424

# 256-Tap, Nonvolatile, SPI-Interface, Digital Potentiometers

## ABSOLUTE MAXIMUM RATINGS

|   |                                   |   |                 |
|---|-----------------------------------|---|-----------------|
| V <sub>DD</sub> to GND .....                | -0.3V to +6.0V                    | Continuous Power Dissipation (T <sub>A</sub> = +70°C) |                 |
| All Other Pins to GND.....                  | -0.3V to (V <sub>DD</sub> + 0.3V) | 8-Pin TDFN (derate 24.4mW/°C above +70°C) .....       | 1951mW          |
| Maximum Continuous Current into H, L, and W |                                   | Operating Temperature Range .....                     | -40°C to +85°C  |
| MAX5422.....                                | ±1.3mA                            | Junction Temperature .....                            | +150°C          |
| MAX5423.....                                | ±0.6mA                            | Storage Temperature Range .....                       | -60°C to +150°C |
| MAX5424.....                                | ±0.3mA                            | Lead Temperature (soldering, 10s) .....               | +300°C          |

Stresses beyond those listed under "Absolute Maximum Ratings" may cause permanent damage to the device. These are stress ratings only, and functional operation of the device at these or any other conditions beyond those indicated in the operational sections of the specifications is not implied. Exposure to absolute maximum rating conditions for extended periods may affect device reliability.

## ELECTRICAL CHARACTERISTICS

(V<sub>DD</sub> = +2.7V to +5.25V, H = V<sub>DD</sub>, L = GND, T<sub>A</sub> = -40°C to +85°C. Typical values are at V<sub>DD</sub> = +5.0V, T<sub>A</sub> = +25°C, unless otherwise noted.)

| PARAMETER  | SYMBOL          | CONDITIONS  | MIN  | TYP   | MAX  | UNITS  |
|--|-----------------|---|------|-------|------|--------|
| <b>DC PERFORMANCE (VOLTAGE-DIVIDER MODE)</b>     |                 |   |      |       |      |        |
| Resolution                                       | N               |   | 256  |       |      | Taps   |
| Integral Nonlinearity                            | INL             | (Note 1)  |      |       | ±0.5 | LSB    |
| Differential Nonlinearity                        | DNL             | (Note 1)  |      |       | ±0.5 | LSB    |
| End-to-End Resistance Temperature Coefficient    | TC <sub>R</sub> |   |      | 35    |      | ppm/°C |
| Ratiometric Resistance Temperature Coefficient   |                 |   |      | 5     |      | ppm/°C |
| Full-Scale Error                                 |                 | MAX5422   |      | -0.6  |      | LSB    |
|  |                 | MAX5423   |      | -0.3  |      |        |
|  |                 | MAX5424   |      | -0.15 |      |        |
| Zero-Scale Error                                 |                 | MAX5422   |      | 0.7   |      | LSB    |
|  |                 | MAX5423   |      | 0.35  |      |        |
|  |                 | MAX5424   |      | 0.18  |      |        |
| <b>DC PERFORMANCE (VARIABLE-RESISTOR MODE)</b>   |                 |   |      |       |      |        |
| Integral Nonlinearity (Note 2)                   | INL             | V <sub>DD</sub> = 3V  |      |       | ±3.0 | LSB    |
|  |                 | V <sub>DD</sub> = 5V  |      |       | ±1.5 |        |
| Differential Nonlinearity (Note 2)               | DNL             | V <sub>DD</sub> = 3V, MAX5422, -40°C ≤ T <sub>A</sub> ≤ +85°C, guaranteed monotonic | -1.0 |       | +2.0 | LSB    |
|  |                 | V <sub>DD</sub> = 3V, MAX5422, 0°C ≤ T <sub>A</sub> ≤ +85°C, guaranteed monotonic   | -1.0 |       | +1.2 |        |
|  |                 | V <sub>DD</sub> = 3V, MAX5423   |      |       | ±1.0 |        |
|  |                 | V <sub>DD</sub> = 3V, MAX5424   |      |       | ±1.0 |        |
|  |                 | V <sub>DD</sub> = 5V  |      |       | ±1.0 |        |
| <b>DC PERFORMANCE (RESISTOR CHARACTERISTICS)</b> |                 |   |      |       |      |        |
| Wiper Resistance                                 | R <sub>W</sub>  | V <sub>DD</sub> = 3V to 5.25V (Note 3)  |      | 325   | 675  | Ω      |
| Wiper Capacitance                                | C <sub>W</sub>  |   |      | 10    |      | pF     |
| End-to-End Resistance                            |                 | MAX5422   | 37.5 | 50    | 62.5 | kΩ     |
|  |                 | MAX5423   | 75   | 100   | 125  |        |
|  |                 | MAX5424   | 150  | 200   | 250  |        |

# 256-Tap, Nonvolatile, SPI-Interface, Digital Potentiometers

MAX5422/MAX5423/MAX5424

## ELECTRICAL CHARACTERISTICS (continued)

( $V_{DD} = +2.7V$  to  $+5.25V$ ,  $H = V_{DD}$ ,  $L = GND$ ,  $T_A = -40^{\circ}C$  to  $+85^{\circ}C$ . Typical values are at  $V_{DD} = +5.0V$ ,  $T_A = +25^{\circ}C$ , unless otherwise noted.)

| PARAMETER   | SYMBOL   | CONDITIONS  | MIN                 | TYP       | MAX     | UNITS   |
|---|----------|---|---------------------|-----------|---------|---------|
| <b>DIGITAL INPUTS (<math>\overline{CS}</math>, DIN, SCLK)</b> |          |   |                     |           |         |         |
| Input High Voltage (Note 4)                                   | $V_{IH}$ | $V_{DD} = 3.4V$ to $5.25V$  | 2.4                 |           |         | V       |
|   |          | $V_{DD} < 3.4V$   | $0.7 \times V_{DD}$ |           |         |         |
| Input Low Voltage   | $V_{IL}$ | $V_{DD} = 2.7V$ to $5.25V$ (Note 4)   | 0.8                 |           |         | V       |
| Input Leakage Current   | $I_{IN}$ |   |                     | $\pm 0.1$ | $\pm 1$ | $\mu A$ |
| Input Capacitance   | $C_{IN}$ |   |                     | 5         |         | pF      |
| <b>DYNAMIC CHARACTERISTICS</b>                                |          |   |                     |           |         |         |
| Wiper -3dB Bandwidth (Note 5)                                 |          | MAX5422   | 100                 |           |         | kHz     |
|   |          | MAX5423   | 50                  |           |         |         |
|   |          | MAX5424   | 25                  |           |         |         |
| <b>NONVOLATILE MEMORY RELIABILITY</b>                         |          |   |                     |           |         |         |
| Data Retention  |          | $T_A = +85^{\circ}C$  | 50                  |           |         | Years   |
| Endurance   |          | $T_A = +25^{\circ}C$  | 200,000             |           |         | Stores  |
|   |          | $T_A = +85^{\circ}C$  | 50,000              |           |         |         |
| <b>POWER SUPPLY</b>   |          |   |                     |           |         |         |
| Supply Voltage  | $V_{DD}$ |   | 2.70                |           | 5.25    | V       |
| Standby Current   | $I_{DD}$ | Digital inputs = $V_{DD}$ or GND, $T_A = +25^{\circ}C$                        |                     | 0.5       | 1       | $\mu A$ |
| Programming Current   | $I_{PG}$ | During nonvolatile write to memory; digital inputs = $V_{DD}$ or GND (Note 6) |                     | 200       | 400     | $\mu A$ |

## TIMING CHARACTERISTICS

( $V_{DD} = +2.7V$  to  $+5.25V$ ,  $H = V_{DD}$ ,  $L = GND$ ,  $T_A = -40^{\circ}C$  to  $+85^{\circ}C$ . Typical values are at  $V_{DD} = +5.0V$ ,  $T_A = +25^{\circ}C$ , unless otherwise noted. See Figure 1.) (Note 7)

| PARAMETER                               | SYMBOL     | CONDITIONS | MIN  | TYP | MAX | UNITS |
|---|------------|------------|------|-----|-----|-------|
| <b>ANALOG SECTION</b>                   |            |            |      |     |     |       |
| Wiper Settling Time (Note 8)            | $t_s$      | MAX5422    | 400  |     |     | ns    |
|   |            | MAX5423    | 600  |     |     |       |
|   |            | MAX5424    | 1000 |     |     |       |
| <b>DIGITAL SECTION</b>                  |            |            |      |     |     |       |
| SCLK Frequency                          | $f_{SCLK}$ |            |      |     | 5   | MHz   |
| SCLK Clock Period                       | $t_{CP}$   |            | 200  |     |     | ns    |
| SCLK Pulse-Width High                   | $t_{CH}$   |            | 80   |     |     | ns    |
| SCLK Pulse-Width Low                    | $t_{CL}$   |            | 80   |     |     | ns    |
| $\overline{CS}$ Fall to SCLK Rise Setup | $t_{CSS}$  |            | 80   |     |     | ns    |
| SCLK Rise to $\overline{CS}$ Rise Hold  | $t_{CSH}$  |            | 0    |     |     | ns    |
| DIN to SCLK Setup                       | $t_{DS}$   |            | 50   |     |     | ns    |

# 256-Tap, Nonvolatile, SPI-Interface, Digital Potentiometers

## TIMING CHARACTERISTICS (continued)

( $V_{DD} = +2.7V$  to  $+5.25V$ ,  $H = V_{DD}$ ,  $L = GND$ ,  $T_A = -40^{\circ}C$  to  $+85^{\circ}C$ . Typical values are at  $V_{DD} = +5.0V$ ,  $T_A = +25^{\circ}C$ , unless otherwise noted. See Figure 1.) (Note 7)

| PARAMETER                               | SYMBOL     | CONDITIONS | MIN | TYP | MAX | UNITS |
|---|------------|------------|-----|-----|-----|-------|
| DIN Hold after SCLK                     | $t_{DH}$   |            | 0   |     |     | ns    |
| SCLK Rise to $\overline{CS}$ Fall Delay | $t_{CS0}$  |            | 20  |     |     | ns    |
| $\overline{CS}$ Rise to SCLK Rise Hold  | $t_{CS1}$  |            | 80  |     |     | ns    |
| $\overline{CS}$ Pulse-Width High        | $t_{CSW}$  |            | 200 |     |     | ns    |
| Write NV Register Busy Time             | $t_{BUSY}$ |            |     |     | 12  | ms    |

**Note 1:** The DNL and INL are measured with the potentiometer configured as a voltage-divider with  $H = V_{DD}$  and  $L = GND$ . The wiper terminal is unloaded and measured with a high-input-impedance voltmeter.

**Note 2:** The DNL and INL are measured with the potentiometer configured as a variable resistor.  $H$  is unconnected and  $L = GND$ . For the 5V condition, the wiper terminal is driven with a source current of  $80\mu A$  for the  $50k\Omega$  configuration,  $40\mu A$  for the  $100k\Omega$  configuration, and  $20\mu A$  for the  $200k\Omega$  configuration. For the 3V condition, the wiper terminal is driven with a source current of  $40\mu A$  for the  $50k\Omega$  configuration,  $20\mu A$  for the  $100k\Omega$ , and  $10\mu A$  for the  $200k\Omega$  configuration.

**Note 3:** The wiper resistance is measured using the source currents given in Note 2. For operation to  $V_{DD} = 2.7V$ , see Maximum Wiper Resistance vs. Temperature in the *Typical Operating Characteristics*.

**Note 4:** The device draws higher supply current when the digital inputs are driven with voltages between  $(V_{DD} - 0.5V)$  and  $(GND + 0.5V)$ . See Supply Current vs. Digital Input Voltage in the *Typical Operating Characteristics*.

**Note 5:** Wiper at midscale with a  $10pF$  load (DC measurement).  $L = GND$ ; an AC source is applied to  $H$ ; and the  $W$  output is measured. A 3dB bandwidth occurs when the AC W/H value is 3dB lower than the DC W/H value.

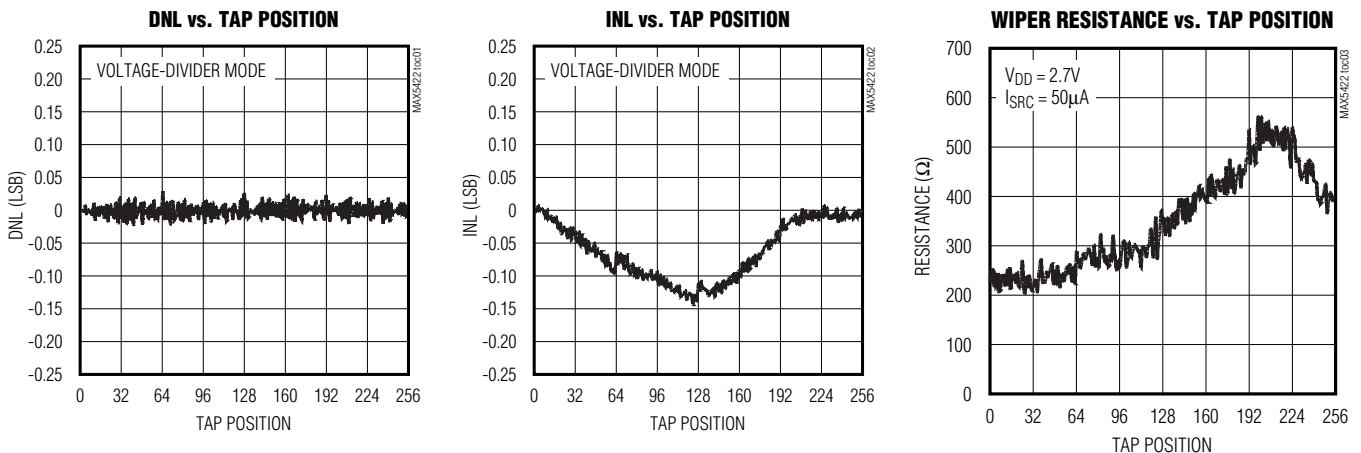
**Note 6:** The programming current operates only during power-up and NV writes.

**Note 7:** Digital timing is guaranteed by design and characterization, and is not production tested.

**Note 8:** Wiper-settling time is the worst-case 0% to 50% rise-time measured between consecutive wiper positions.  $H = V_{DD}$ ,  $L = GND$ , and the wiper terminal is unloaded and measured with a  $10pF$  oscilloscope probe.

## Typical Operating Characteristics

( $V_{DD} = 5.0V$ ,  $T_A = +25^{\circ}C$ , unless otherwise noted.)

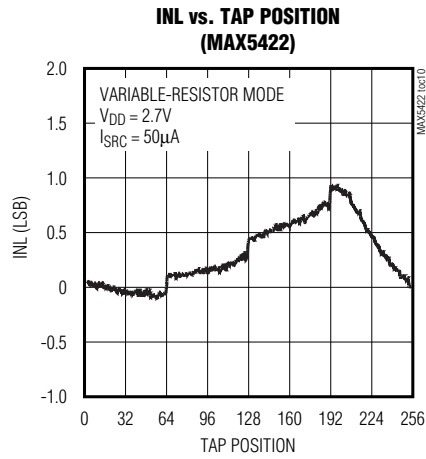
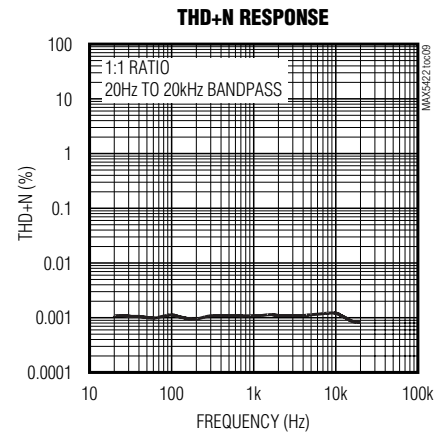
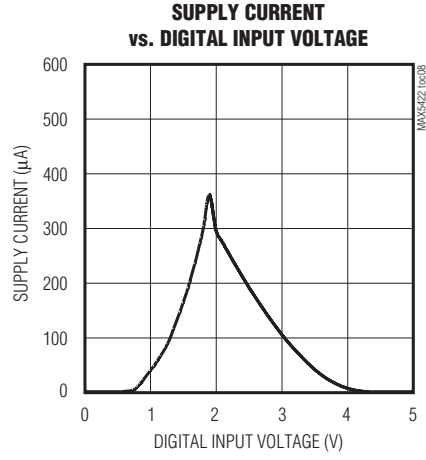
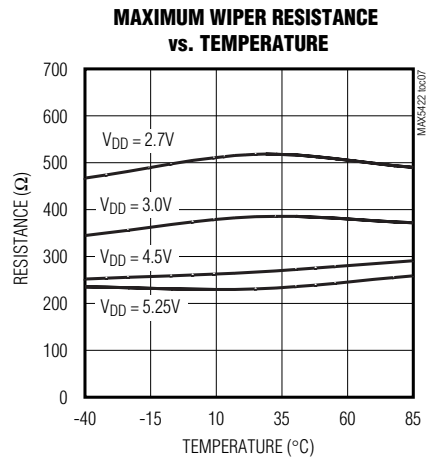
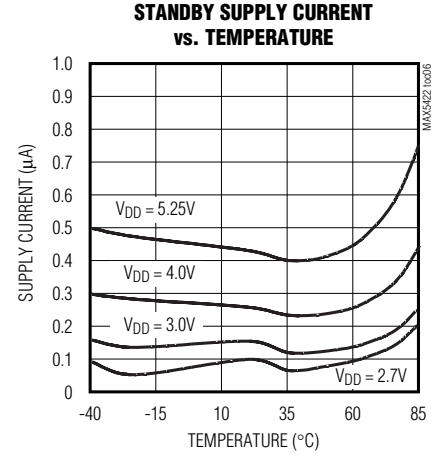
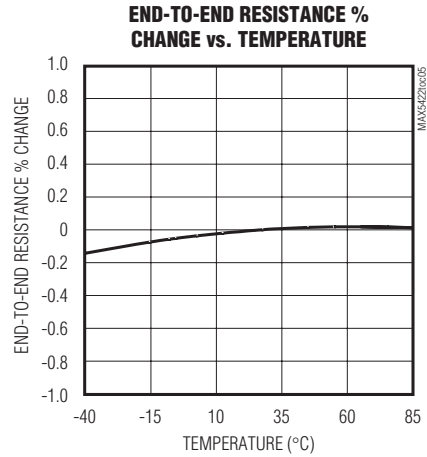
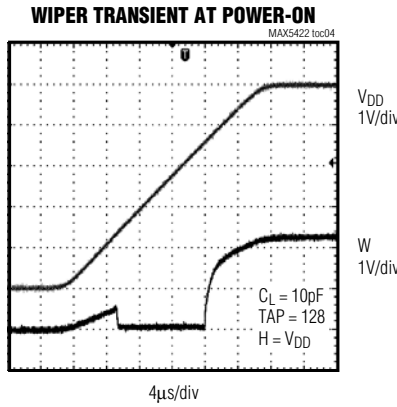


# 256-Tap, Nonvolatile, SPI-Interface, Digital Potentiometers

## Typical Operating Characteristics (continued)

( $V_{DD} = 5.0V$ ,  $T_A = +25^\circ C$ , unless otherwise noted.)

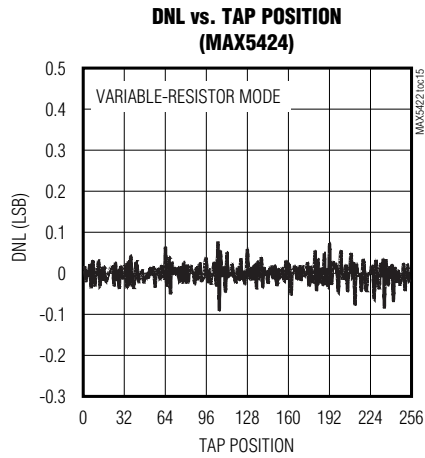
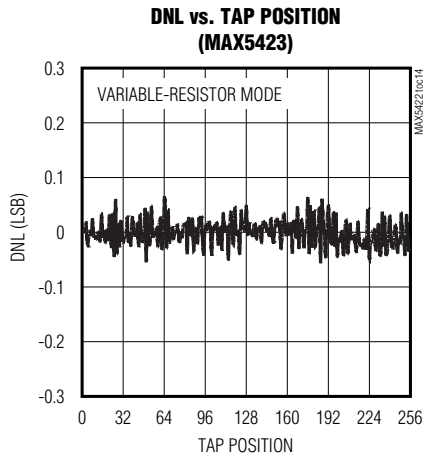
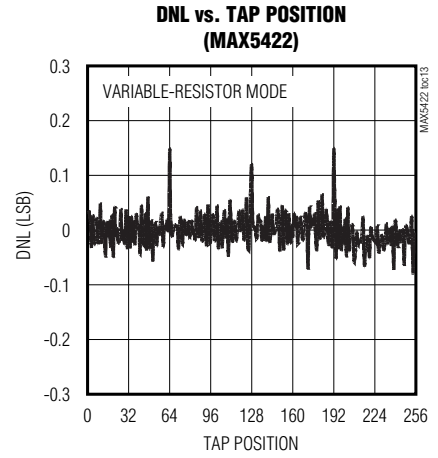
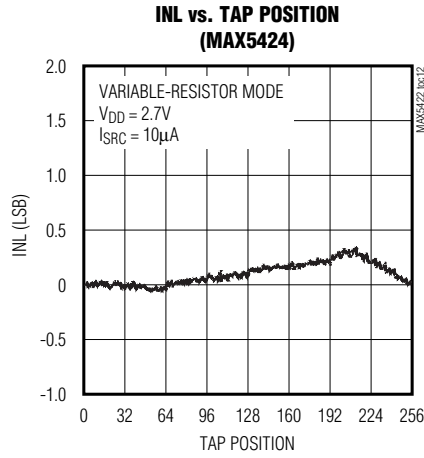
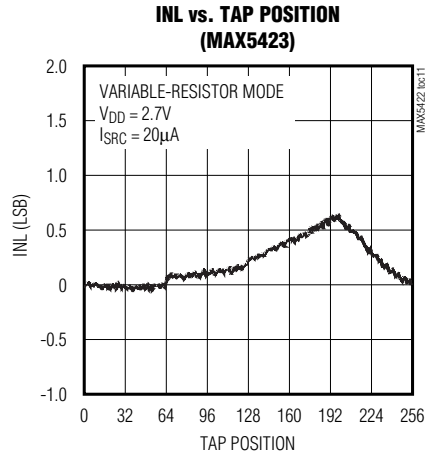
MAX5422/MAX5423/MAX5424



# 256-Tap, Nonvolatile, SPI-Interface, Digital Potentiometers

## Typical Operating Characteristics (continued)

( $V_{DD} = 5.0V$ ,  $T_A = +25^\circ C$ , unless otherwise noted.)



# 256-Tap, Nonvolatile, SPI-Interface, Digital Potentiometers

## Pin Description

| PIN | NAME                   | FUNCTION  |
|-----|------------------------|---|
| 1   | V <sub>DD</sub>        | Power-Supply Input. Bypass V <sub>DD</sub> with a 0.1μF capacitor from V <sub>DD</sub> to GND.                        |
| 2   | SCLK                   | Serial-Interface Clock Input  |
| 3   | DIN                    | Serial-Interface Data Input   |
| 4   | $\overline{\text{CS}}$ | Active-Low Digital-Input Chip Select  |
| 5   | GND                    | Ground  |
| 6   | L                      | Low Terminal. The voltage at L can be greater than or less than the voltage at H. Current can flow into or out of L.  |
| 7   | W                      | Wiper Terminal  |
| 8   | H                      | High Terminal. The voltage at H can be greater than or less than the voltage at L. Current can flow into or out of H. |
| —   | EP                     | Exposed Pad. The exposed pad is not internally connected. Connect to GND or leave floating.                           |

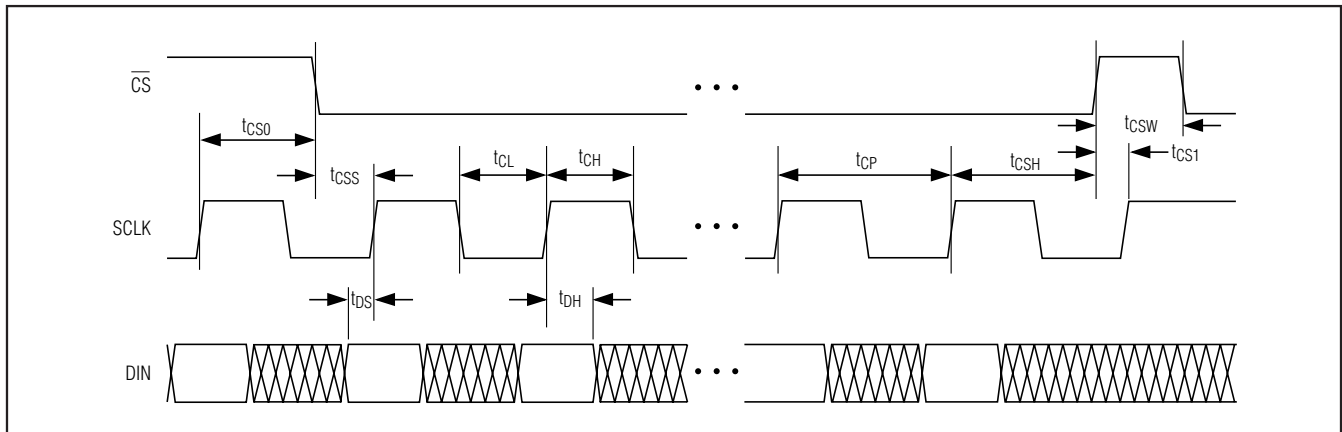


Figure 1. Digital Interface and Timing Diagram

## Detailed Description

The MAX5422/MAX5423/MAX5424 contain a resistor array with 255 resistive elements. The MAX5422 has a total end-to-end resistance of 50kΩ; the MAX5423 has an end-to-end resistance of 100kΩ; and the MAX5424 has an end-to-end resistance of 200kΩ. The MAX5422/MAX5423/MAX5424 allow access to the high, low, and wiper terminals for a standard voltage-divider configuration. H, L, and W can be connected in any desired configuration as long as their voltages fall between GND and V<sub>DD</sub>.

A simple, 3-wire, SPI serial interface moves the wiper among the 256 tap points. The nonvolatile memory stores the wiper position and recalls the stored wiper position upon power-up. The nonvolatile memory is guaranteed for 50 years for wiper data retention and up to 200,000 wiper store cycles.

## Analog Circuitry

The MAX5422/MAX5423/MAX5424 consist of a resistor array with 255 resistive elements; 256 tap points are accessible to the wiper, W, along the resistor string between H and L. Select the wiper tap point by programming the potentiometer through the 3-wire (SPI) interface. Eight data bits, and a control byte program the wiper position. The H and L terminals of the MAX5422/MAX5423/MAX5424 are similar to the two end terminals of a mechanical potentiometer. The MAX5422/MAX5423/MAX5424 feature power-on reset circuitry that loads the wiper position from the nonvolatile memory at power-up.

## Digital Interface

The MAX5422/MAX5423/MAX5424 use a 3-wire, SPI-compatible, serial data interface (Figure 1 and 2). This write-only interface contains three inputs: chip-select

# 256-Tap, Nonvolatile, SPI-Interface, Digital Potentiometers

( $\overline{CS}$ ), data clock (SCLK), and data in (DIN). Drive  $\overline{CS}$  low to enable the serial interface and clock data synchronously into the shift register on each SCLK rising edge.

The WRITE commands (C1, C0 = 00 or 01) require 16 clock cycles to clock in the command and data (Figure 2a). The COPY commands (C1, C0 = 10, 11) can use either eight clock cycles to transfer the command bits (Figure 2b) or 16 clock cycles with 8 data bits that are disregarded by the device (Figure 2a).

After loading data into the shift register, drive  $\overline{CS}$  high to latch the data into the appropriate potentiometer control register and disable the serial interface. Keep  $\overline{CS}$  low during the entire serial-data stream to avoid corruption of the data.

The serial-data timing for the potentiometer is shown in Figures 1 and 2.

**Table 1. Register Map**

| CLOCK EDGE                         | 1 | 2 | 3  | 4  | 5 | 6 | 7 | 8 | 9  | 10 | 11 | 12 | 13 | 14 | 15 | 16 |
|------------------------------------|---|---|----|----|---|---|---|---|----|----|----|----|----|----|----|----|
| Bit name                           | — | — | C1 | C0 | — | — | — | — | D7 | D6 | D5 | D4 | D3 | D2 | D1 | D0 |
| Write wiper register               | 0 | 0 | 0  | 0  | 0 | 0 | 0 | 0 | D7 | D6 | D5 | D4 | D3 | D2 | D1 | D0 |
| Write NV register                  | 0 | 0 | 0  | 1  | 0 | 0 | 0 | 0 | D7 | D6 | D5 | D4 | D3 | D2 | D1 | D0 |
| Copy wiper register to NV register | 0 | 0 | 1  | 0  | 0 | 0 | 0 | 0 | —  | —  | —  | —  | —  | —  | —  | —  |
| Copy NV register to wiper register | 0 | 0 | 1  | 1  | 0 | 0 | 0 | 0 | —  | —  | —  | —  | —  | —  | —  | —  |

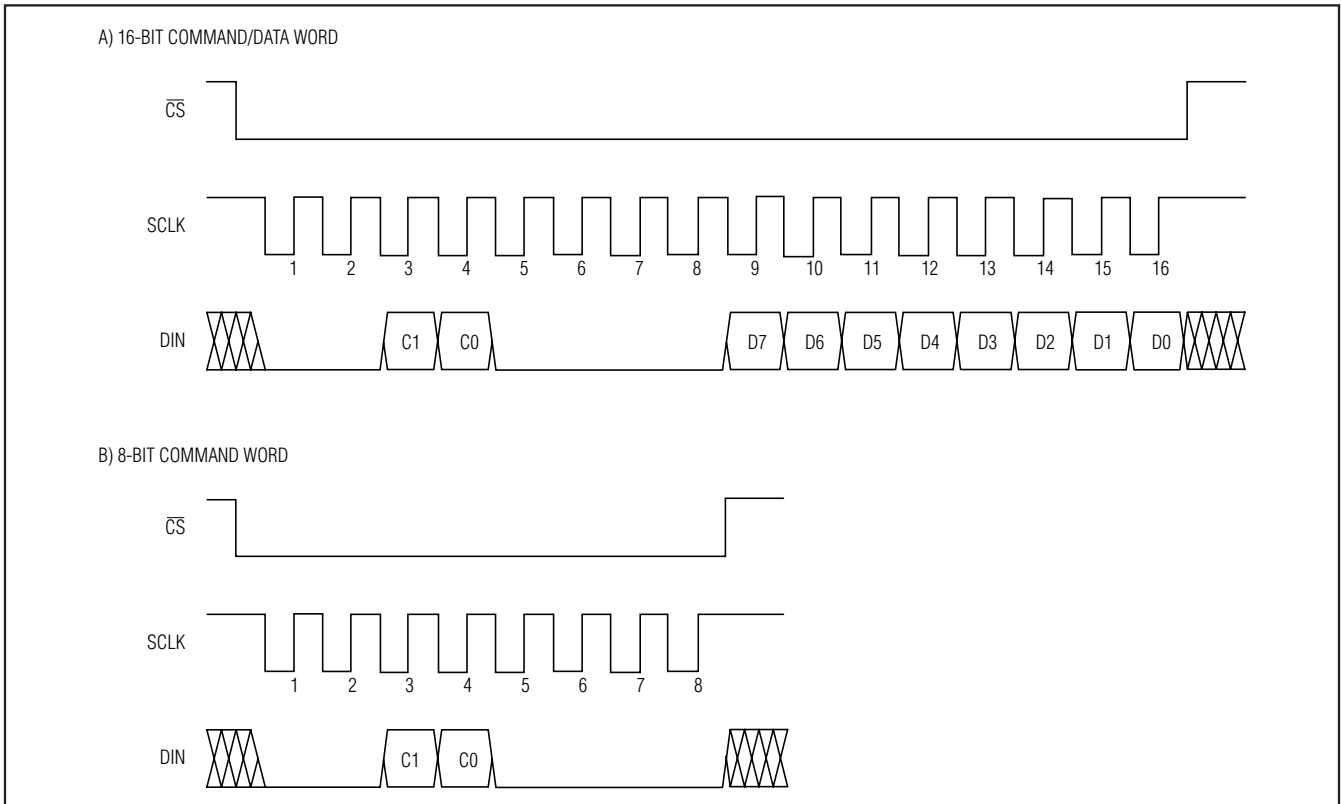


Figure 2. Digital-Interface Format



# 256-Tap, Nonvolatile, SPI-Interface, Digital Potentiometers

## Write Wiper Register

Data written to this register (C1, C0 = 00) controls the wiper positions. The 8 data bits (D7 to D0) indicate the position of the wiper. For example, if DIN = 0000 0000, the wiper moves to the position closest to L. If DIN = 1111 1111, the wiper moves closest to H.

This command writes data to the volatile random access memory (RAM), leaving the NV registers unchanged. When the device powers up, the data stored in the NV registers transfers to the volatile wiper register, moving the wiper to the stored position.

## Write NV Register

The “write NV register” command (C1, C0 = 01) stores the position of the wipers to the NV registers for use at power-up. Alternatively, the “copy wiper register to NV register” command writes to the NV register. Writing to the NV registers, does not affect the position of the wipers.

## Copy Wiper Register to NV Register

The “copy wiper register to NV register” command (C1, C0 = 10) stores the current position of the wiper to the NV register for use at power-up.

## Copy NV Register to Wiper Register

The “copy NV register to wiper register” (C1, C0 = 11) restores the wiper position to the current value stored in the NV register.

## Standby Mode

The MAX5422/MAX5423/MAX5424 feature a low-power standby mode. When the device is not being pro-

grammed, it enters into standby mode and supply current drops to 0.5 $\mu$ A (typ).

## Nonvolatile Memory

The internal EEPROM consists of a nonvolatile register that retains the last value stored prior to power-down. The nonvolatile register is programmed to midscale at the factory. The nonvolatile memory is guaranteed for 50 years for wiper data retention and up to 200,000 wiper write cycles.

## Power-Up

Upon power-up, the MAX5422/MAX5423/MAX5424 load the data stored in the nonvolatile wiper register into the volatile wiper register, updating the wiper position with the data stored in the nonvolatile wiper register. This initialization period takes 10 $\mu$ s.

## Applications Information

The MAX5422/MAX5423/MAX5424 are intended for circuits requiring digitally controlled adjustable resistance, such as LCD contrast control (where voltage biasing adjusts the display contrast), or programmable filters with adjustable gain and/or cutoff frequency.

## Positive LCD Bias Control

Figures 3 and 4 show an application where a voltage-divider or variable resistor is used to make an adjustable, positive LCD-bias voltage. The op amp provides buffering and gain to the resistor-divider network made by the potentiometer (Figure 3) or to a fixed resistor and a variable resistor (see Figure 4).

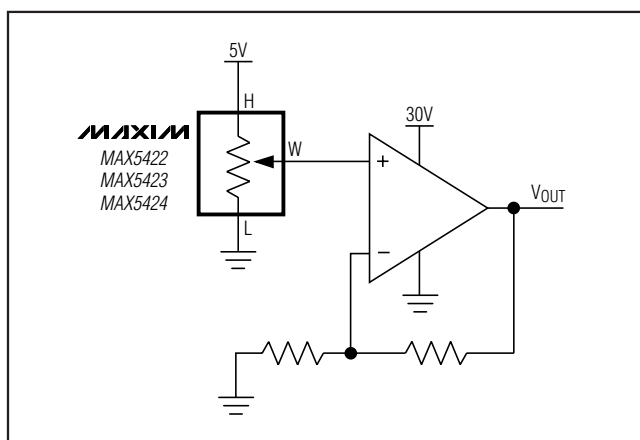


Figure 3. Positive LCD-Bias Control Using a Voltage-Divider

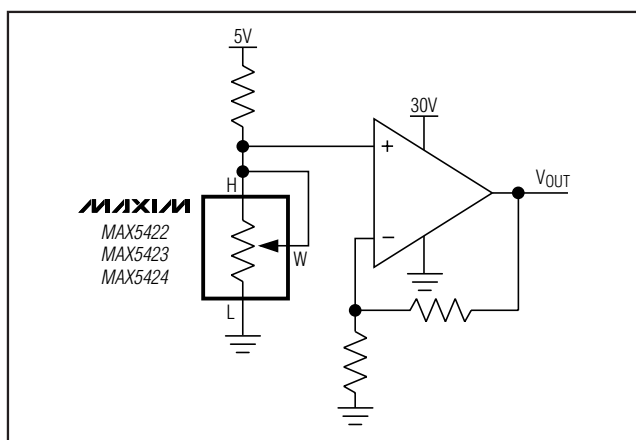


Figure 4. Positive LCD-Bias Control Using a Variable Resistor

# 256-Tap, Nonvolatile, SPI-Interface, Digital Potentiometers

## Programmable Filter

Figure 5 shows the configuration for a 1st-order programmable filter. The gain of the filter is adjusted by R2, and the cutoff frequency is adjusted by R3. Use the following equations to calculate the DC gain (G) and the 3dB cutoff frequency (f<sub>C</sub>):

$$G = 1 + \frac{R1}{R2}$$

$$f_C = \frac{1}{2\pi \times R3 \times C}$$

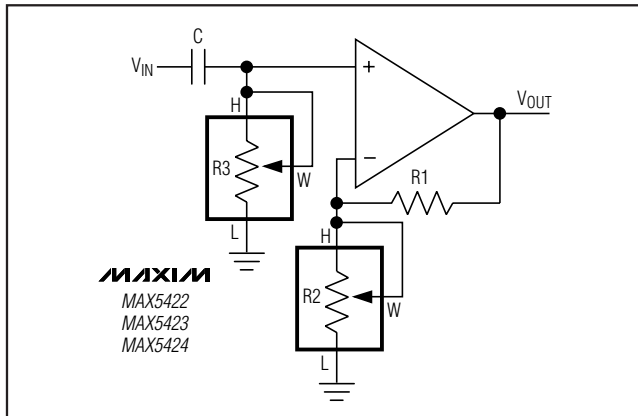


Figure 5. Programmable Filter

## Adjustable Voltage Reference

Figure 6 shows the MAX5422/MAX5423/MAX5424 used as the feedback resistors in an adjustable voltage-reference application. Independently adjust the output voltage of the MAX6160 from 1.23V to V<sub>IN</sub> - 0.2V by changing the wiper position of the MAX5422/MAX5423/MAX5424.

## Offset Voltage and Gain Adjustment

Connect the high and low terminals of one potentiometer of a MAX5422/MAX5423/MAX5424 between the NULL inputs of a MAX410 and the wiper to the op amp's positive supply to nullify the offset voltage over the operating temperature range. Install another MAX5422/MAX5423/MAX5424 potentiometer in the feedback path to adjust the gain of the MAX410 (see Figure 7).

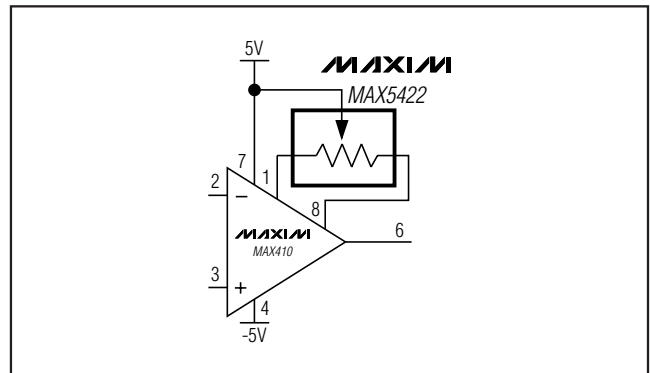


Figure 7. Offset Voltage Adjustment Circuit

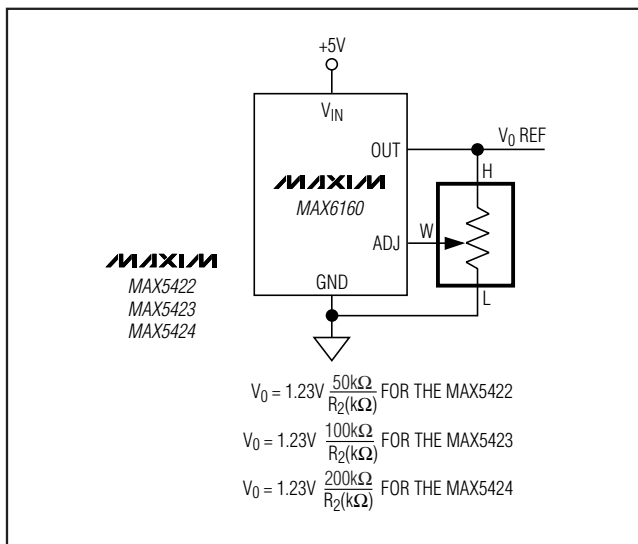


Figure 6. Adjustable Voltage Reference

## Chip Information

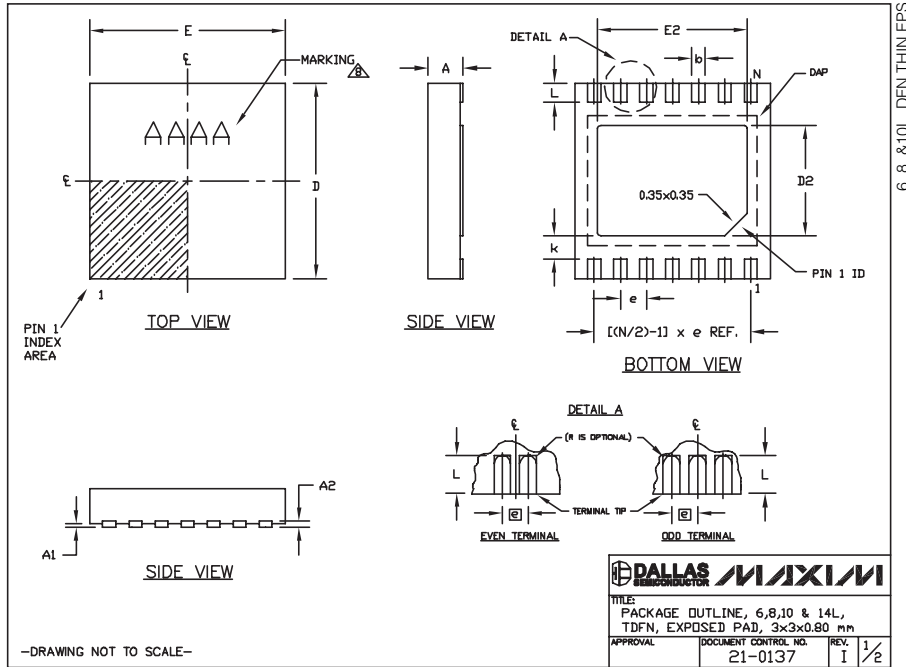
TRANSISTOR COUNT: 10,191

PROCESS: BiCMOS

# 256-Tap, Nonvolatile, SPI-Interface, Digital Potentiometers

## Package Information

(The package drawing(s) in this data sheet may not reflect the most current specifications. For the latest package outline information, go to [www.maxim-ic.com/packages](http://www.maxim-ic.com/packages).)



| COMMON DIMENSIONS |           |      | PACKAGE VARIATIONS |    |           |           |          |                |           |               |  |
|-------------------|-----------|------|--------------------|----|-----------|-----------|----------|----------------|-----------|---------------|--|
| SYMBOL            | MIN.      | MAX. | PKG. CODE          | N  | D2        | E2        | e        | JEDEC SPEC     | b         | [(N/2)-1] x e |  |
| A                 | 0.70      | 0.80 | T633-2             | 6  | 1.50±0.10 | 2.30±0.10 | 0.95 BSC | MO229 / WEEA   | 0.40±0.05 | 1.90 REF      |  |
| D                 | 2.90      | 3.10 | T833-2             | 8  | 1.50±0.10 | 2.30±0.10 | 0.65 BSC | MO229 / WEEC   | 0.30±0.05 | 1.95 REF      |  |
| E                 | 2.90      | 3.10 | T833-3             | 8  | 1.50±0.10 | 2.30±0.10 | 0.65 BSC | MO229 / WEEC   | 0.30±0.05 | 1.95 REF      |  |
| A1                | 0.00      | 0.05 | T1033-1            | 10 | 1.50±0.10 | 2.30±0.10 | 0.50 BSC | MO229 / WEED-3 | 0.25±0.05 | 2.00 REF      |  |
| L                 | 0.20      | 0.40 | T1033-2            | 10 | 1.50±0.10 | 2.30±0.10 | 0.50 BSC | MO229 / WEED-3 | 0.25±0.05 | 2.00 REF      |  |
| k                 | 0.25 MIN. |      | T1433-1            | 14 | 1.70±0.10 | 2.30±0.10 | 0.40 BSC | ----           | 0.20±0.05 | 2.40 REF      |  |
| A2                | 0.20 REF. |      | T1433-2            | 14 | 1.70±0.10 | 2.30±0.10 | 0.40 BSC | ----           | 0.20±0.05 | 2.40 REF      |  |

NOTES:  
 1. ALL DIMENSIONS ARE IN mm. ANGLES IN DEGREES.  
 2. COPLANARITY SHALL NOT EXCEED 0.08 mm.  
 3. WARPAGE SHALL NOT EXCEED 0.10 mm.  
 4. PACKAGE LENGTH/PACKAGE WIDTH ARE CONSIDERED AS SPECIAL CHARACTERISTIC(S).  
 5. DRAWING CONFORMS TO JEDEC MO229, EXCEPT DIMENSIONS "D2" AND "E2", AND T1433-1 & T1433-2.  
 6. "N" IS THE TOTAL NUMBER OF LEADS.  
 7. NUMBER OF LEADS SHOWN ARE FOR REFERENCE ONLY.  
 8. MARKING IS FOR PACKAGE ORIENTATION REFERENCE ONLY.

—DRAWING NOT TO SCALE—

**DALLAS MAXIM**  
 TITLE: PACKAGE OUTLINE, 6,8,10 & 14L, TDFN, EXPOSED PAD, 3x3x0.80 mm  
 APPROVAL: 21-0137 REV. I 2/2

Maxim cannot assume responsibility for use of any circuitry other than circuitry entirely embodied in a Maxim product. No circuit patent licenses are implied. Maxim reserves the right to change the circuitry and specifications without notice at any time.

Maxim Integrated Products, 120 San Gabriel Drive, Sunnyvale, CA 94086 408-737-7600 11



Компания «ЭлектроПласт» предлагает заключение долгосрочных отношений при поставках импортных электронных компонентов на взаимовыгодных условиях!

Наши преимущества:

- Оперативные поставки широкого спектра электронных компонентов отечественного и импортного производства напрямую от производителей и с крупнейших мировых складов;
- Поставка более 17-ти миллионов наименований электронных компонентов;
- Поставка сложных, дефицитных, либо снятых с производства позиций;
- Оперативные сроки поставки под заказ (от 5 рабочих дней);
- Экспресс доставка в любую точку России;
- Техническая поддержка проекта, помощь в подборе аналогов, поставка прототипов;
- Система менеджмента качества сертифицирована по Международному стандарту ISO 9001;
- Лицензия ФСБ на осуществление работ с использованием сведений, составляющих государственную тайну;
- Поставка специализированных компонентов (Xilinx, Altera, Analog Devices, Intersil, Interpoint, Microsemi, Aeroflex, Peregrine, Syfer, Eurofarad, Texas Instrument, Miteq, Cobham, E2V, MA-COM, Hittite, Mini-Circuits, General Dynamics и др.);

Помимо этого, одним из направлений компании «ЭлектроПласт» является направление «Источники питания». Мы предлагаем Вам помощь Конструкторского отдела:

- Подбор оптимального решения, техническое обоснование при выборе компонента;
- Подбор аналогов;
- Консультации по применению компонента;
- Поставка образцов и прототипов;
- Техническая поддержка проекта;
- Защита от снятия компонента с производства.



#### Как с нами связаться

**Телефон:** 8 (812) 309 58 32 (многоканальный)

**Факс:** 8 (812) 320-02-42

**Электронная почта:** [org@eplast1.ru](mailto:org@eplast1.ru)

**Адрес:** 198099, г. Санкт-Петербург, ул. Калинина, дом 2, корпус 4, литера А.