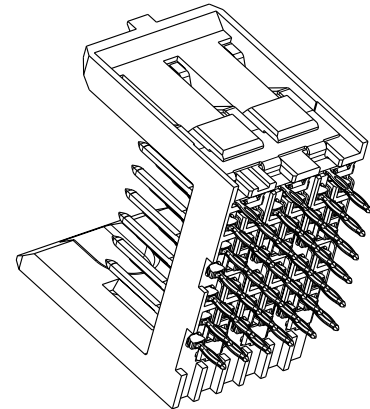
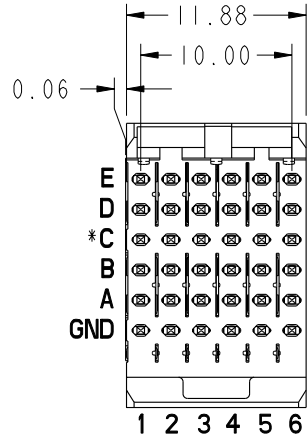
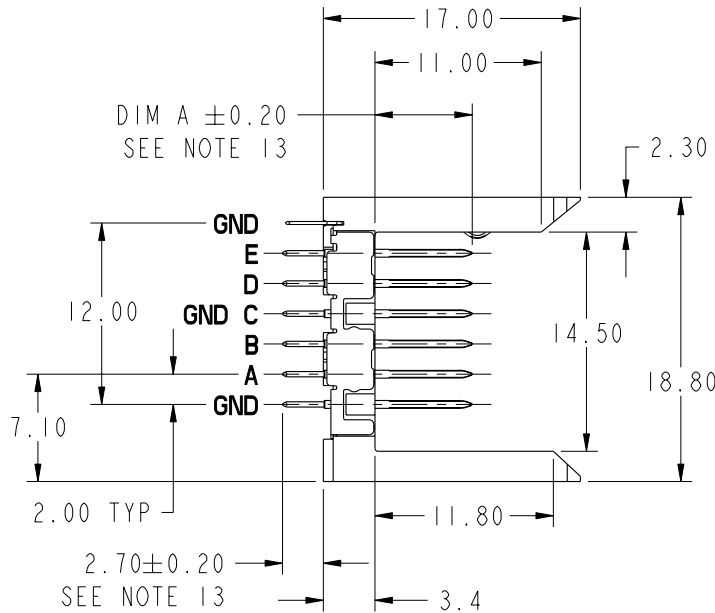
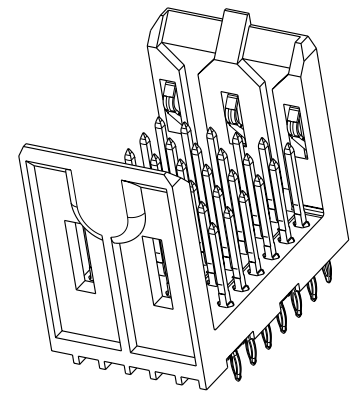
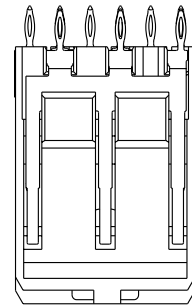


PRODUCT NUMBER	PLATING PERFORMANCE LEVEL	APPLICATION
59569-101ZZZ	TELCORDIA CO	STANDARD
59569-101ZZZLF	TELCORDIA CO	LEAD FREE
59569-501ZZZ	TELCORDIA UE	STANDARD
59569-501ZZZLF	TELCORDIA UE	LEAD FREE



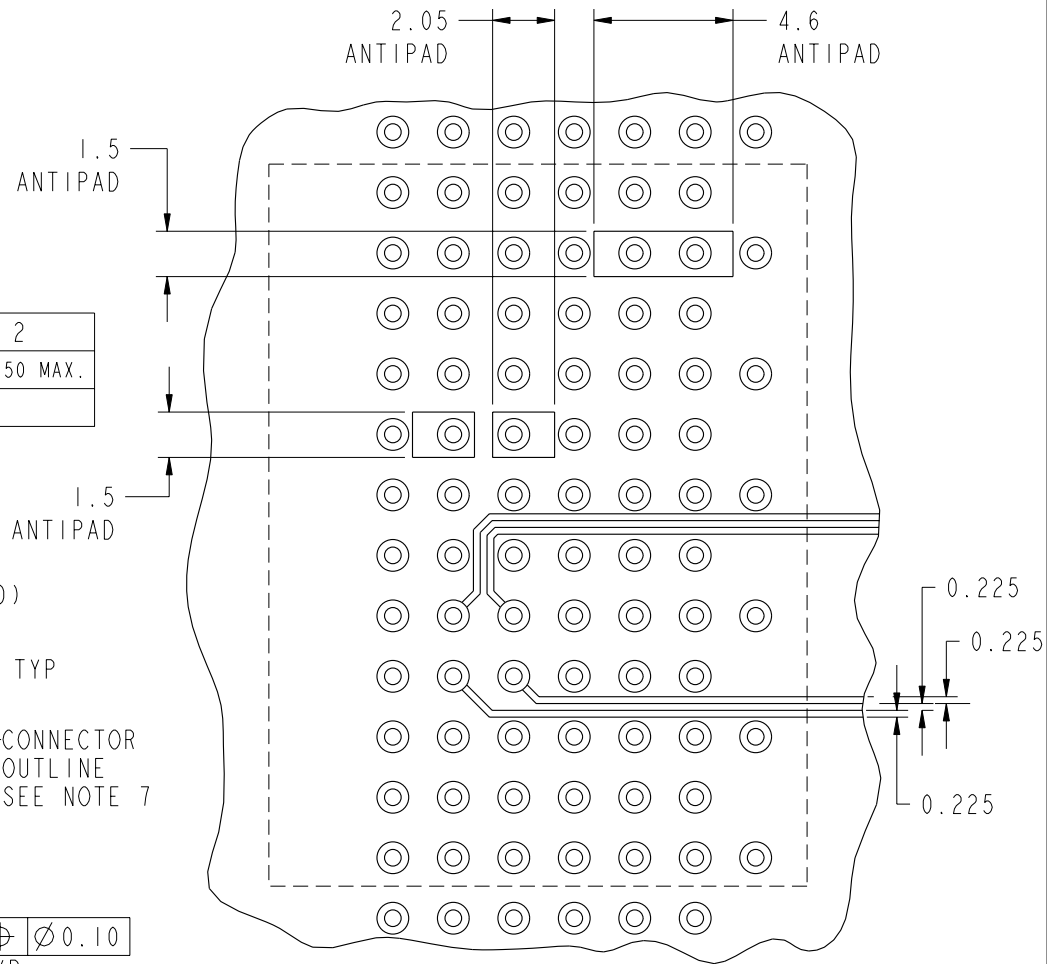
This document is the property of and embodies CONFIDENTIAL and PROPRIETARY information of FCI. No part of the information shown on this document may be used in any way or disclosed to others without the written consent of FCI. Copyright FCI.

***ROW C INFORMATION**
 ODD NUMBER COLUMNS WITHIN ROW C ARE COMMONED TO GROUND INTERNALLY WITHIN THE HOUSING. THE EVEN NUMBER COLUMNS WITHIN ROW C ARE NOT. FOR MAXIMUM PERFORMANCE IT IS RECOMMENDED THESE EVEN COLUMNS BE GROUND COMMONED WITHIN PCB.
 SEE NOTE 12

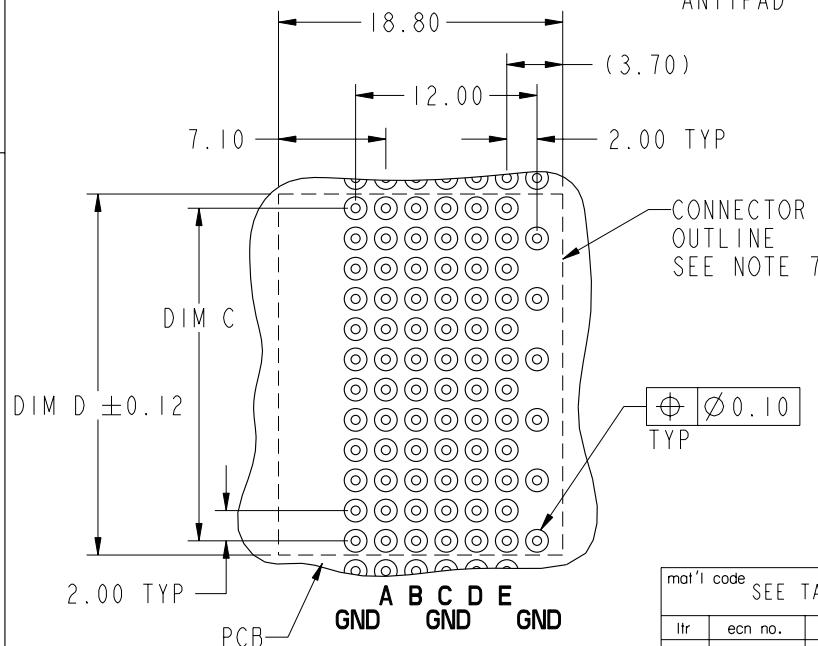
mat'l code SEE TABLE				tolerances unless otherwise specified		CUSTOMER	FCI www.fciconnect.com	
ltr	ecn no.	dr	date	linear	0.X ± 0.3	COPY	title	
H	V06-0868	DCH	2006-08-29		0.XX ± 0.13	projection	VERTICAL SIGNAL HDR. 5 ROW	
J	V07-0171	DCH	2007-03-29		.XXX ± .051		P.F. 30 POS. SPECIAL LOAD EXT.	
K	V07-0699	HTB	2007-12-03	angles	0° ± 2°		product family METRAL 4000 code	
-	-	-	-	dr	C. DAILY	2002-01-16	size	dwg no
E	V03-0450	TAB	2003-05-01	engr	J. VOLSTORF	2001-10-25	A	213
F	V05-0191	DAI	2005-05-15	chr	J. VOLSTORF	2002-01-16	sheet	
G	V06-0498	DCH	2006-05-24	appd	J. VOLSTORF	2002-01-16	1 of 4	
sheet index	revision sheet	K 1	K 2	K 3	K 4			

PRODUCT NUMBER
SEE SHEET 1

PRESS-FIT HOLES	OPTION 1	OPTION 2
COPPER PLATING	0.025 MIN-0.050 MAX.	0.025 MIN-0.050 MAX.
SnPb PLATING	0.005-0.015	---



RECOMMENDED TRACE AND ANTIPAD DIMENSIONS
SCALE 4:1



RECOMMENDED PCB HOLE PATTERN
(COMPONENT SIDE)
SEE NOTE 11

mat'l code		SEE TABLE		tolerances unless otherwise specified		CUSTOMER		FCj www.fciconnect.com	
ltr	ecr no.	dr	date	linear	0.X ±0.3	COPY		title	
K					0.XX ±0.13	projection		VERTICAL SIGNAL HDR. 5 ROW P.F. 30 POS. SPECIAL LOAD EXT.	
				angles	.XXX ±.051	MM		product family METRAL 4000	
				dr	0° ±2°	scale		code	
				enr	C. DAILY 2002-01-16	2:1		213	
				chr	J. VOLSTORF 2001-10-25	A		sheet	
				appd	J. VOLSTORF 2002-01-16			2	
sheet index	revision sheet							cage code	
								22526	



This document is the property of and embodies
 CONFIDENTIAL and PROPRIETARY information of FCj.
 No part of the information shown on this
 document may be used in any way or disclosed
 to others without the written consent of FCj.
 Copyright FCj.

PRODUCT NUMBER
SEE SHEET 1

NOTES:

- 1. SEE APPLICATION SPECIFICATION GS-20-014 FOR INFORMATION ON AVAILABLE TOOLING, CIRCUIT BOARD DESIGN CONSIDERATIONS, REPAIR PROCEDURES AND PRODUCT OFFERINGS. SEE PRODUCT SPECIFICATION GS-12-184.
- 2. UNLESS OTHERWISE SPECIFIED, ALL DIMENSIONS AND TOLERANCES ARE IN ACCORDANCE WITH ASME Y14.5, 1994.
- 3. HOUSING MATERIAL: LIQUID CRYSTAL POLYMER, 30% GLASS FILLED, FLAME RETARDANT PER UL 94-V0.
PIN MATERIAL: PHOSPHOR BRONZE
GROUND SPRING MATERIAL: PHOSPHOR BRONZE
STRIPLINE SHIELD MATERIAL: PHOSPHOR BRONZE
- 4. PLATING ON CONTACT AREA OF PIN PER PERFORMANCE LEVEL, SEE SHEET 1. PLATING ON "LF" TAILS IS Sn ONLY, ALL OTHERS ARE TIN-LEAD.
- 5. DIMENSIONAL RESTRICTIONS OF PINS IN HEADERS. FOR USE WITH METRAL 4000 RECEPTACLES.
DIM A : 5.00mm MIN, 6.50mm MAX FOR ROWS A,B,D,E
DIM A : 5.00mm MIN, 8.00mm MAX FOR ROWS C-F
DIM A : 5.00mm MIN, 5.75mm MAX FOR ROWS GND
FOR USE WITH METRAL 1000 RECEPTACLES/
DIM A : 5.00mm MIN, 8.00mm MAX FOR ROWS A,B,C,D,E
DIM A : 5.00mm MIN, 5.75mm MAX FOR ROW GND
- 6. THE MIN PCB THICKNESS FOR FRONT PLUG-UP APPLICATIONS IS 1.6mm.
- 7. THE 'CONNECTOR OUTLINE' IS THE MIN OUTLINE REQUIRED. TO DETERMINE THE OUTLINE NECESSARY TO PERMIT THE VARIOUS TYPES OF REPAIR OPERATIONS, SEE APPLICATION SPECIFICATION GS-20-010.
- 8. CURRENT RATING : 1 AMP PER PIN
- 9. TEMPERATURE RANGE : -55°C TO +105°C

10. P/N 59569-X01ZZZLF



- 11. AVOID TRACES ON TOP OF BOARD DUE TO EXPOSED GROUND SHIELD.
- 12. FOR FRONT PLUG-UP APPLICATIONS, THE EVEN NUMBERED PINS IN ROW "C" CAN BE USED FOR POWER AS WELL AS GROUND. IF THE SURROUNDING PINS ARE NOT USED FOR POWER, THEN EACH PIN CAN CARRY 3 AMPS. IF THE SURROUNDING PINS ARE USED FOR POWER, THEN EACH PIN CAN CARRY 1 AMP. WHEN THE SURROUNDING PINS ARE USED ONLY FOR LOW SPEED SIGNALS, THEN THE EVEN NUMBERED "C" ROW PINS CAN ALSO BE USED FOR LOW SPEED SIGNALS.
- 13. AFTER INSERTION INTO CIRCUIT BOARD WITH QUALIFIED TOOL.
- 14. PRODUCTS WHERE THE PART NUMBERS ENDS IN LF MEET THE EUROPEAN UNION DIRECTIVES AND OTHER COUNTRY REGULATIONS AS DESCRIBED IN GS-22-008.

ALL PRODUCTS WILL WITHSTAND EXPOSURE TO 260°C FOR 60 SECONDS IN A CONVECTION, INFRA-RED OR VAPOR PHASE REFLOW OVEN.
- 15. FOR LEAD FREE PART NUMBERS, ADD AN "LF" SUFFIX, EXAMPLE: 59569-X0100ILF.
- 16. EQUIVALENT PRECIOUS METAL PLATING MAY BE SUBSTITUTED.



This document is the property of and embodies CONFIDENTIAL and PROPRIETARY information of FCI. No part of the information shown on this document may be used in any way or disclosed to others without the written consent of FCI. Copyright FCI.

mat'l code SEE TABLE				tolerances unless otherwise specified		CUSTOMER		FCI www.fciconnect.com	
ltr	ecn no.	dr	date	linear	0.X ±0.3		COPY		title VERTICAL SIGNAL HDR. 5 ROW P.F. 30 POS. SPECIAL LOAD EXT.
K					0.XX ±0.13		projection		
					.XXX ±.051				
				angles	0° ±2°				product family METRAL 4000 code 213
					dr	C. DAILY	2002-01-16	MM	
				enrg	J. VOLSTORF	2001-10-25			size A 59569 sheet 3
				chr	J. VOLSTORF	2002-01-16	scale 2:1		
				appd	J. VOLSTORF	2002-01-16			cage code 22526
sheet index	revision sheet								

1 | 2

3 |

4

SPECIAL LOAD PATTERNS		
PRODUCT #	ROW	PIN CODES
59569-X01001	E	02
	D	
	C	
59569-X01001LF SEE NOTE 15	B	
	A	
	GND	
59569-X01002	E	03
	D	
	C	
59569-X01002LF SEE NOTE 15	B	
	A	
	GND	

A

A



This document is the property of and embodies
 CONFIDENTIAL and PROPRIETARY information of FCI.
 No part of the information shown on this
 document may be used in any way or disclosed
 to others without the written consent of FCI.
 Copyright FCI.

DIM A	PIN CODES
5.00	*01
5.75	02
6.50	03
7.25	04
8.00	*19

* CURRENTLY NOT AVAILABLE

mat'l code SEE TABLE				tolerances unless otherwise specified		CUSTOMER		www.fciconnect.com		
ltr	ecn no.	dr	date	linear	0.X ±0.3		COPY			title VERTICAL SIGNAL HDR. 5 ROW P.F. 30 POS. SPECIAL LOAD EXT.
K					0.XX ±0.13		projection			
					.XXX ±.051					
				angles	0° ±2°					
		dr	C. DAILY	2002-01-16	MM		product family METRAL 4000		code	213
		enrg	J. VOLSTORF	2001-10-25			size	dwg no	sheet	
		chr	J. VOLSTORF	2002-01-16	scale		A		4	
		appd	J. VOLSTORF	2002-01-16	2:1		59569		4	
sheet index	revision sheet									

B

1 | 2

Pro/E

3 |

cage code 22526

4



Компания «ЭлектроПласт» предлагает заключение долгосрочных отношений при поставках импортных электронных компонентов на взаимовыгодных условиях!

Наши преимущества:

- Оперативные поставки широкого спектра электронных компонентов отечественного и импортного производства напрямую от производителей и с крупнейших мировых складов;
- Поставка более 17-ти миллионов наименований электронных компонентов;
- Поставка сложных, дефицитных, либо снятых с производства позиций;
- Оперативные сроки поставки под заказ (от 5 рабочих дней);
- Экспресс доставка в любую точку России;
- Техническая поддержка проекта, помощь в подборе аналогов, поставка прототипов;
- Система менеджмента качества сертифицирована по Международному стандарту ISO 9001;
- Лицензия ФСБ на осуществление работ с использованием сведений, составляющих государственную тайну;
- Поставка специализированных компонентов (Xilinx, Altera, Analog Devices, Intersil, Interpoint, Microsemi, Aeroflex, Peregrine, Syfer, Eurofarad, Texas Instrument, Miteq, Cobham, E2V, MA-COM, Hittite, Mini-Circuits, General Dynamics и др.);

Помимо этого, одним из направлений компании «ЭлектроПласт» является направление «Источники питания». Мы предлагаем Вам помощь Конструкторского отдела:

- Подбор оптимального решения, техническое обоснование при выборе компонента;
- Подбор аналогов;
- Консультации по применению компонента;
- Поставка образцов и прототипов;
- Техническая поддержка проекта;
- Защита от снятия компонента с производства.



Как с нами связаться

Телефон: 8 (812) 309 58 32 (многоканальный)

Факс: 8 (812) 320-02-42

Электронная почта: org@eplast1.ru

Адрес: 198099, г. Санкт-Петербург, ул. Калинина, дом 2, корпус 4, литера А.