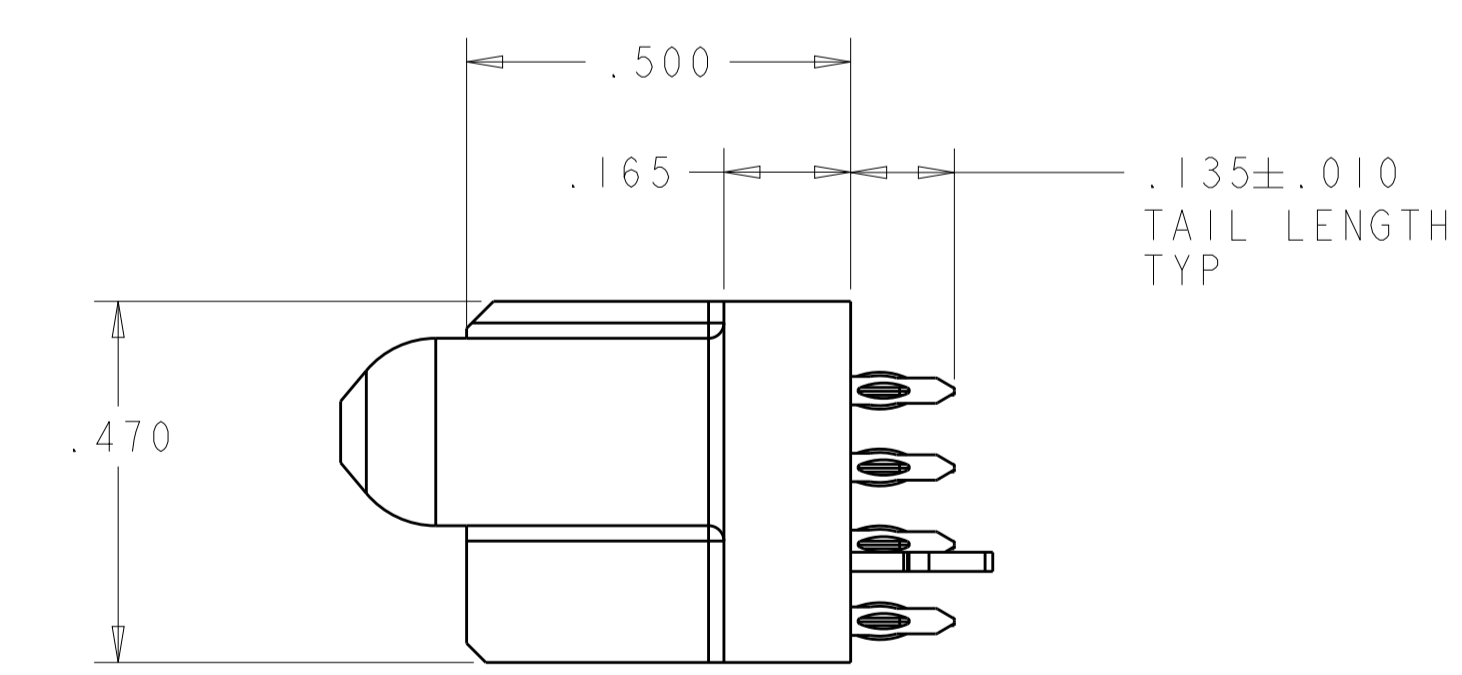
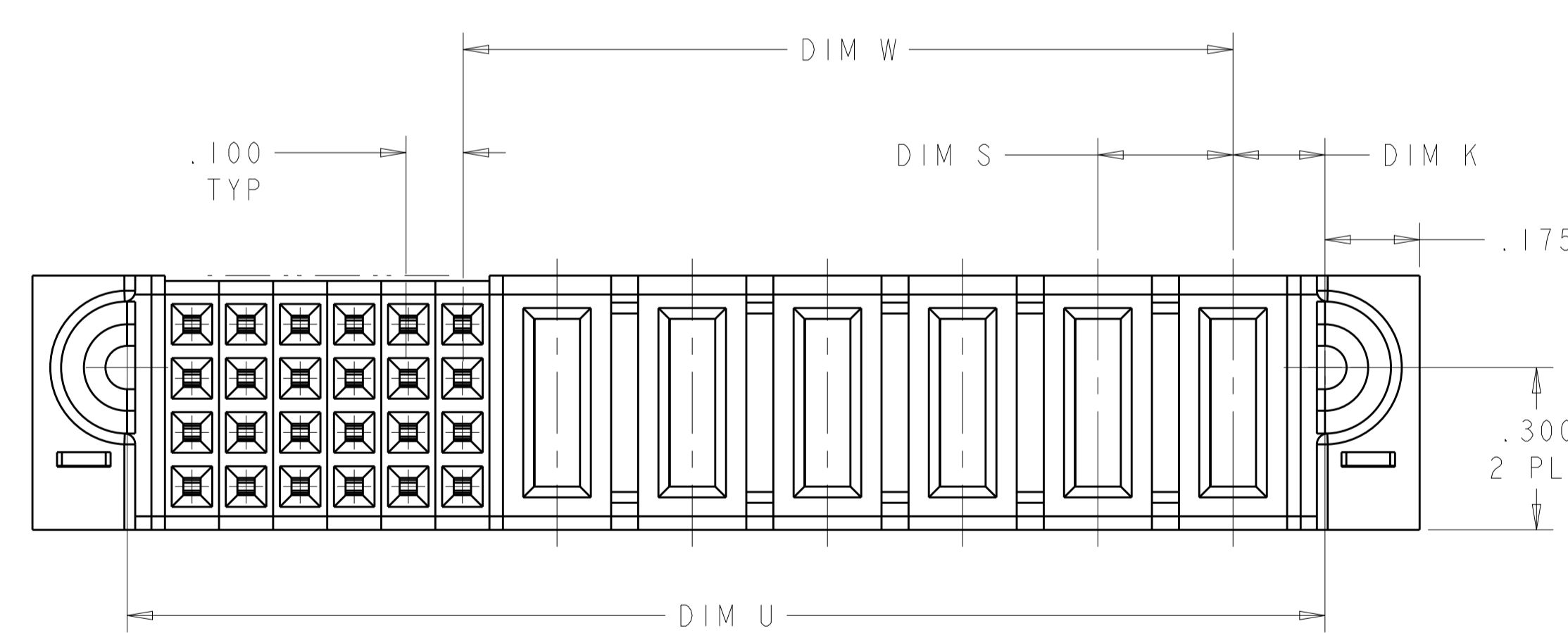
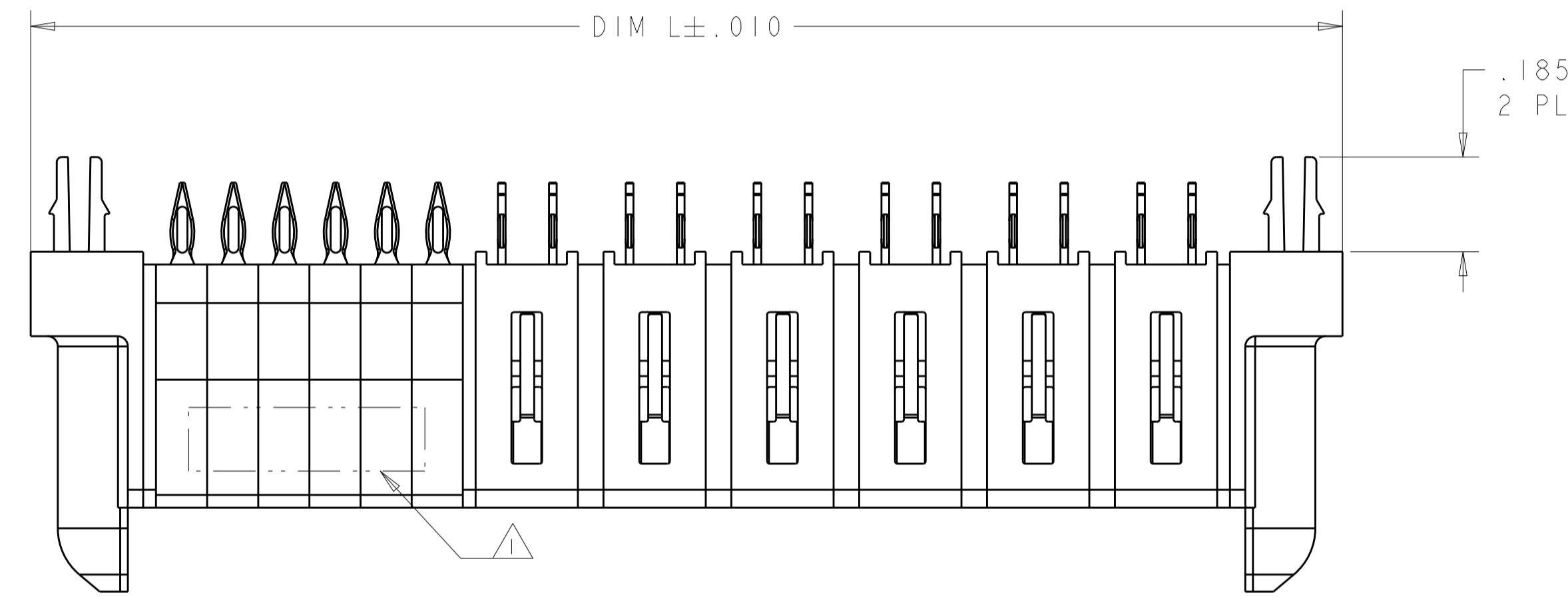
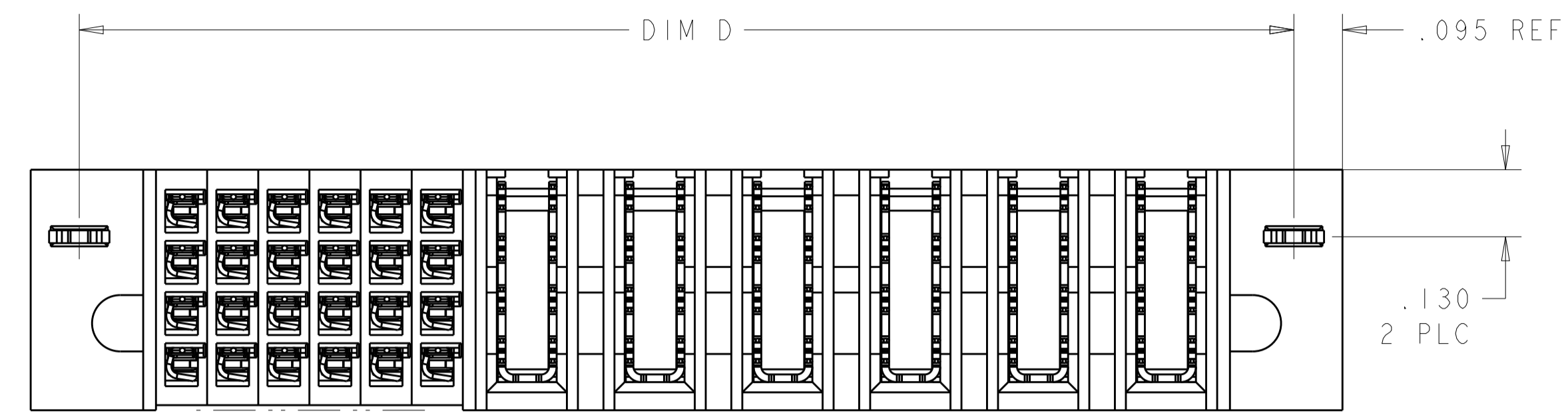


LOC		DIST		REVISIONS			
ES	00	P	LTN	DESCRIPTION	DATE	DMN	APVD
		D7		ADD NEW PART -24	20JAN2015	AY	SZ




- ① "AMP", PART NUMBER AND DATE CODE TO BE MARKED IN AREA SHOWN PARTS UNDER 2.00 LONG MAY BE MARKED ON BOTH SIDES;
- ② HOUSING - GLASS FILLED HIGH TEMP THERMO PLASTIC, UL94 V-0
 SIGNAL CONTACT - HIGH CONDUCTIVITY COPPER ALLOY
 POWER CONTACT - HIGH CONDUCTIVITY COPPER ALLOY
- ③ CONTACT PLATING:
 NOBLE METAL PLATING ON FUNCTIONAL AREA OF POWER AND SIGNAL CONTACTS.
- ④ MECHANICAL CONNECTOR KEEP OUT ZONE
- ⑤ DATUM AND BASIC DIMENSIONS ESTABLISHED BY CUSTOMER
- ⑥ PCB - ALL HOLE DIAMETERS ARE FINISHED HOLE SIZES
- ⑦ PCB - 0.0453 ±.0010 DRILLED HOLES PLATED WITH .0003 MIN Sn OVER .001 TO .003 Cu PLATING TO ACHIEVE A .040 ±.003 HOLE
- ⑧ THIS DIMENSION PLEASE REFER TO TABLE

THIS DRAWING IS A CONTROLLED DOCUMENT.		DMN S.ZHAO 18JUN2008	TE Connectivity NAME VERTICAL RECEPTACLE W/ P+S MULTI-BEAM XLE SIZE CAGE CODE DRAWING NO RESTRICTED TO A100779C=6450862 CUSTOMER DRAWING SCALE 2:1 SHEET 1 OF 9 REV D7
DIMENSIONS: INCHES		CHK S.ZHAO 18JUN2008	
TOLERANCES UNLESS OTHERWISE SPECIFIED:		APVD S.ZHAO 18JUN2008	
0 PLC ±.1 1 PLC ±.1 2 PLC ±.02 3 PLC ±.005 4 PLC ±.0020 ANGLES ±.7°		PRODUCT SPEC 108-2292 APPLICATION SPEC 114-13251 WEIGHT -	
MATERIAL	FINISH		

THIS DRAWING IS UNPUBLISHED. RELEASED FOR PUBLICATION 20
 © COPYRIGHT 20 BY - TE CONNECTIVITY ALL RIGHTS RESERVED.

LOC		DIST		REVISIONS			
ES	00	P	LTN	DESCRIPTION	DATE	DWN	APVD
		-		SEE SHEET 1		-	-

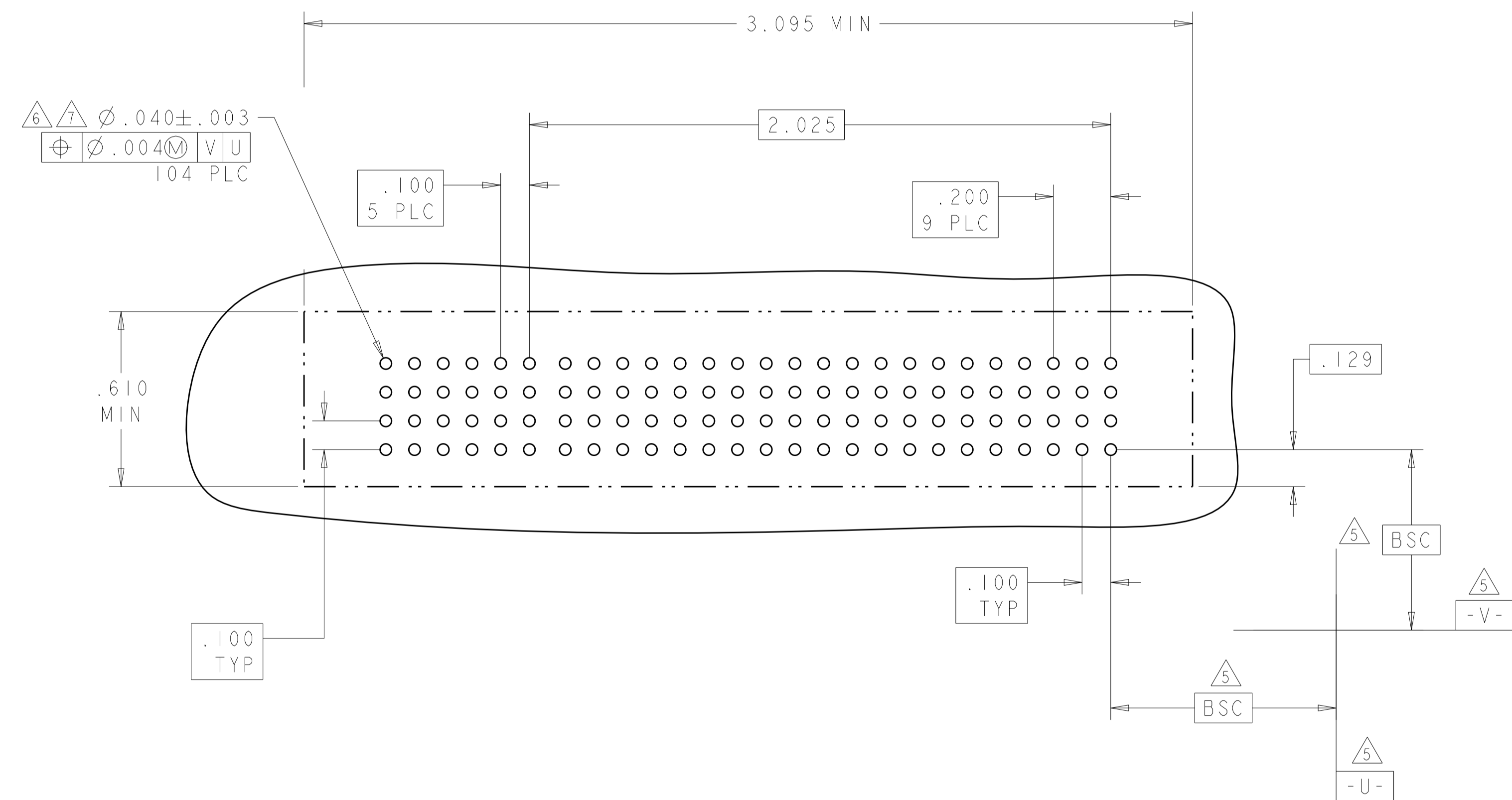
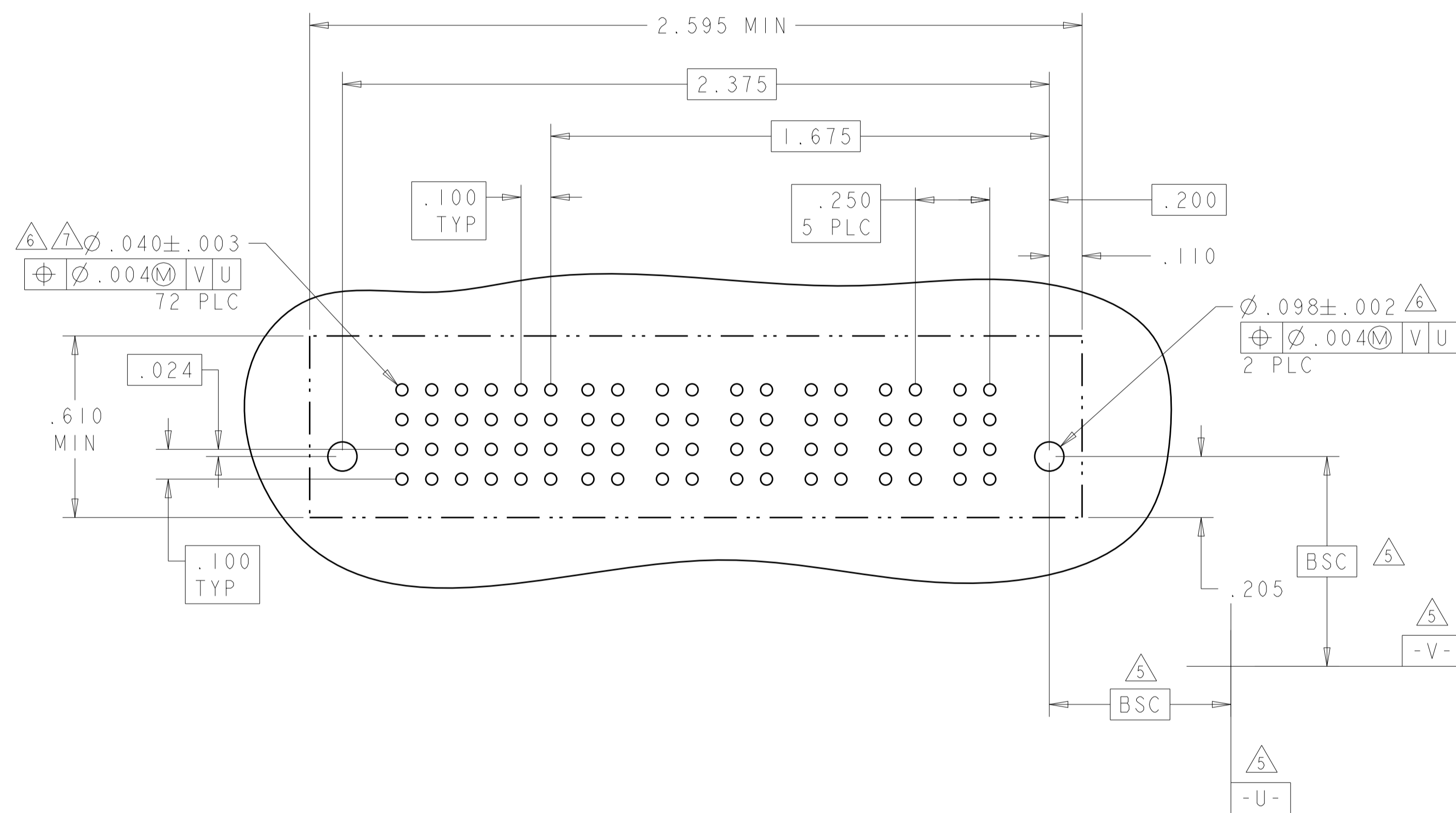
(D7)	.300	2.240	1.890	2.050	1.450	.195	5ACP + 8S	2-6450862-4
(D5)	.250	3.240	2.890	3.050	1.925	.170	8P + 32S	2-6450862-3
	.250	3.240	2.890	3.050	1.925	.170	8P + 32S	2-6450862-2
	.115	.945	.595	.755	.2725	.1025	2LP + 8S	2-6450862-1
	.200	3.265	2.915	3.075	2.175	.145	11HDP + 24S	1-6450862-8
	△	3.740	3.390	3.550	2.625	.170	3ACP + 8P + 24S	1-6450862-7
	.250	2.415	2.065	2.225	1.425	.145	6P + 20S	1-6450862-6
	.200	3.265	2.915	3.075	1.975	.145	10HDP + 32S	1-6450862-5
	△	2.420	2.070	2.230	1.330	.145	5P + 2LP + 24S	1-6450862-4
	.250	3.790	3.440	3.600	2.900	.145	12P + 16S	6450862-6
	△	2.915	2.565	2.725	2.045	.170	6P + 2HDP + 20S	6450862-5
	.115	.970	.620	.780	.2725	.1275	2LP + 8S	6450862-4
	.200	3.065	2.715	2.875	1.975	.145	10HDP + 24S	6450862-3
	.250	2.595	2.215	2.375	1.425	.170	6P + 24S	6450862-1
	DIM S	DIM L	DIM U	DIM D	DIM W	DIM K	DESCRIPTION	PART NUMBER

THIS DRAWING IS A CONTROLLED DOCUMENT.		DWN S. ZHAO 18JUN2008	 TE Connectivity
DIMENSIONS: INCHES		CHK S. ZHAO 18JUN2008	
TOLERANCES UNLESS OTHERWISE SPECIFIED:		APVD S. ZHAO 18JUN2008	
0 PLC ±.1 1 PLC ±.1 2 PLC ±.02 3 PLC ±.005 4 PLC ±.0020 ANGLES ±.0020		PRODUCT SPEC 108-2292 APPLICATION SPEC 114-13251 WEIGHT - CUSTOMER DRAWING	
MATERIAL - FINISH -		SIZE A1 CAGE CODE 00779 DRAWING NO. 6450862 SCALE 2:1 SHEET 2 OF 9 REV D7	NAME VERTICAL RECEPTACLE W/ P+S MULTI-BEAM XLE RESTRICTED TO -

LOC	DIST	REV	DATE	BY	APPD
ES	00				
DESCRIPTION			DATE	BY	APPD
SEE SHEET 1					

PART NUMBER	ROWS	SIGNAL						POWER							
		6	5	4	3	2	1	P6	P5	P4	P3	P2	P1		
6450862-1	D C B A	AP	AP	AP	AP	AP	AP	GS	GS	GS	GS	GS	GS		
		AP	AP	AP	AP	AP	AP	GS	GS	GS	GS	GS	GS		
		AP	AP	AP	AP	AP	AP	GS	GS	GS	GS	GS	GS		
		AP	AP	AP	AP	AP	AP	GS	GS	GS	GS	GS	GS		
6P + 24S		HD												HD	

PART NUMBER	ROWS	SIGNAL						POWER									
		6	5	4	3	2	1	P10	P9	P8	P7	P6	P5	P4	P3	P2	P1
6450862-3	D C B A	AP	AP	AP	AP	AP	AP	GS	GS	GS	GS	GS	GS	GS	GS	GS	GS
		AP	AP	AP	AP	AP	AP	GS	GS	GS	GS	GS	GS	GS	GS	GS	GS
		AP	AP	AP	AP	AP	AP	GS	GS	GS	GS	GS	GS	GS	GS	GS	GS
		AP	AP	AP	AP	AP	AP	GS	GS	GS	GS	GS	GS	GS	GS	GS	GS
10HDP + 24S		HD												HD			



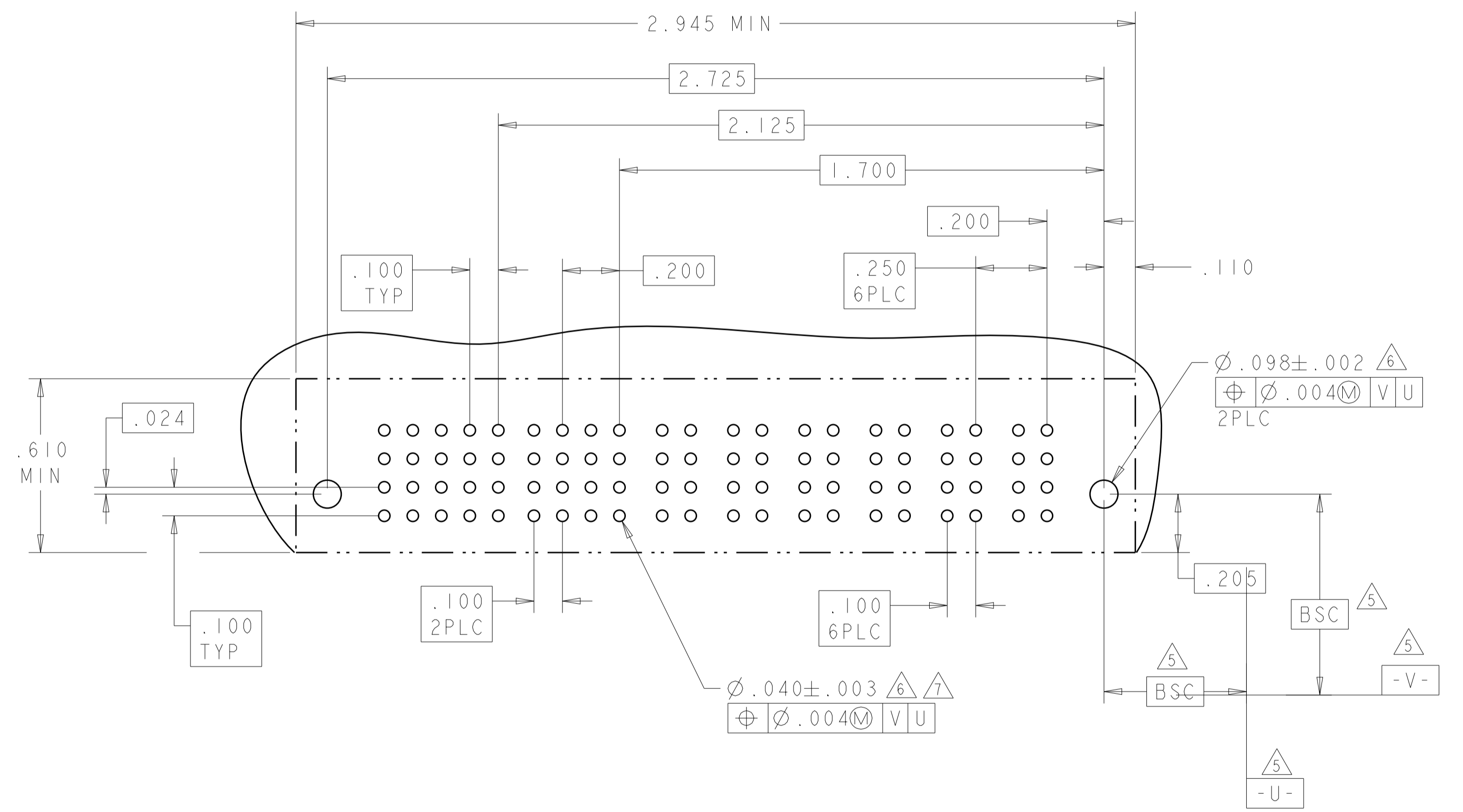
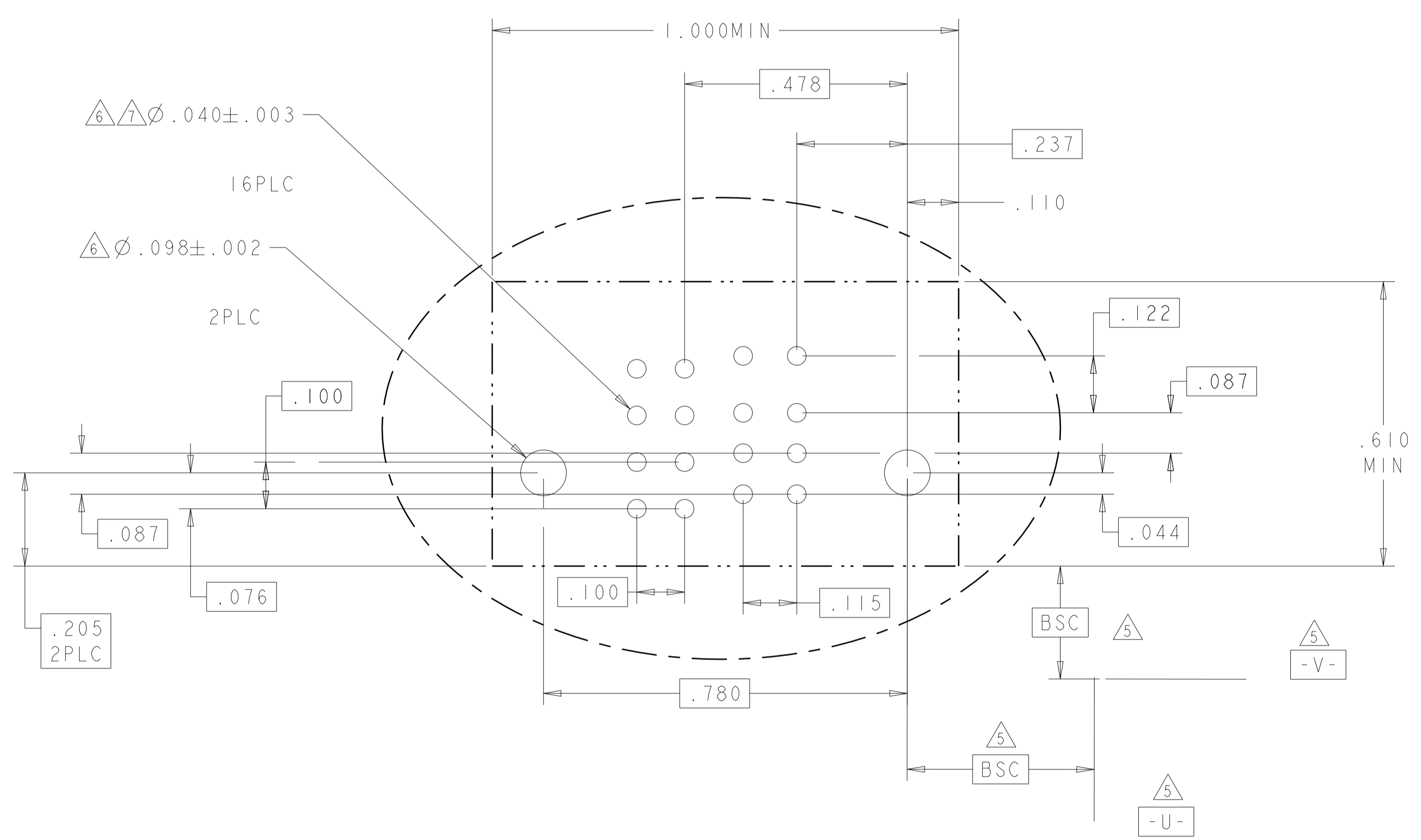
MFBL POWER CONTACT	GP
HOLD DOWN	HD
STD POWER CONTACT	GS
STD LP LOWER POWER CON.	LSI
SIGNAL CONTACT	AP
DESCRIPTION	CODE

DIMENSIONS:		TOLERANCES UNLESS OTHERWISE SPECIFIED:		REVISIONS	
INCHES		0 PLC	±	DRN	S. ZHAO 18JUN2008
		1 PLC	±.1	CHK	S. ZHAO 18JUN2008
		2 PLC	±.02	APVD	S. ZHAO 18JUN2008
		3 PLC	±.05	NAME	VERTICAL RECEPTACLE W/ P+S MULTI-BEAM XLE
		4 PLC	±.0020	PRODUCT SPEC	108-2292
		ANGLES	±.020	APPLICATION SPEC	114-13251
MATERIAL		FINISH	±.020	SIZE	114-13251
				WEIGHT	
				CUSTOMER DRAWING	SCALE 2:1 SHEET 3 OF 9 REV 07

LOC		DIST		REVISIONS			
ES	00	P	LTN	DESCRIPTION	DATE	DMN	APVD
		-		SEE SHEET 1			

PART NUMBER	ROWS	SIGNAL		POWER	
		2	1	P2	P1
6450862-4	D C B A	AP	AP	LSI	LSI
		AP	AP		
		AP	AP		
		AP	AP		
2LP + 8S		HD		HD	

PART NUMBER	ROWS	SIGNAL					POWER							
		5	4	3	2	1	P8	P7	P6	P5	P4	P3	P2	P1
6450862-5	D C B A	AP	AP	AP	AP	AP	GS	GS	GS	GS	GS	GS	GS	GS
		AP	AP	AP	AP	AP								
		AP	AP	AP	AP	AP								
		AP	AP	AP	AP	AP								
6P + 2HDP + 20S		HD											HD	



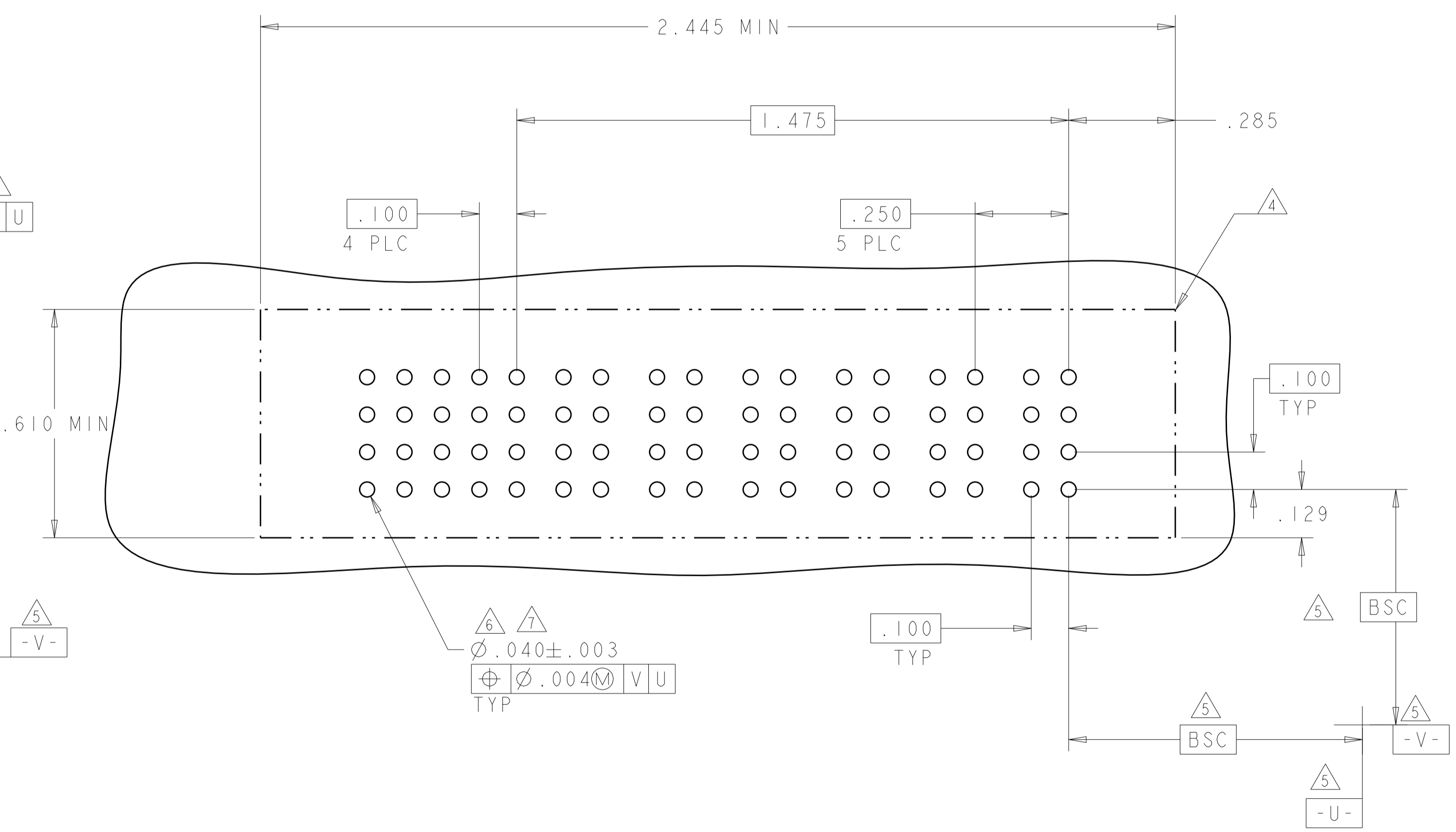
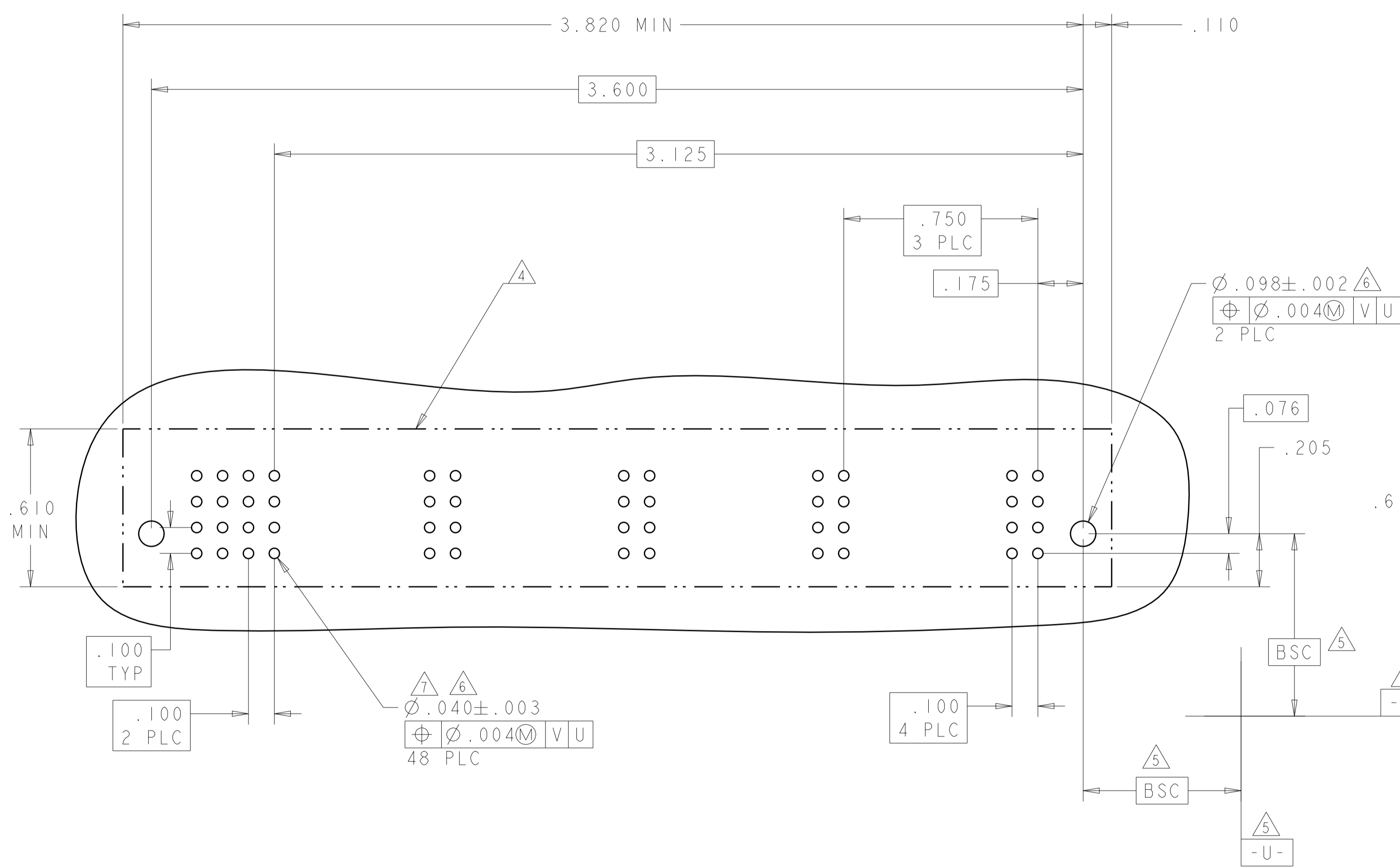
THIS DRAWING IS A CONTROLLED DOCUMENT.		DMN S. ZHAO 18JUN2008	TE Connectivity
DIMENSIONS: INCHES		CHK S. ZHAO 18JUN2008	
TOLERANCES UNLESS OTHERWISE SPECIFIED:		APVD S. ZHAO 18JUN2008	NAME VERTICAL RECEPTACLE W/ P+S MULTI-BEAM XLE
0 PLC ±.1	1 PLC ±.02	PRODUCT SPEC 108-2292	SIZE CAGE CODE DRAWING NO. RESTRICTED TO
2 PLC ±.02	3 PLC ±.005	APPLICATION SPEC 114-13251	A100779C=6450862
4 PLC ±.0020	ANGLES ±.7°	WEIGHT	SCALE 2:1 SHEET 4 OF 9 REV D7
MATERIAL	FINISH	CUSTOMER DRAWING	

LOC	DIST	REV	DATE	BY	APPD
ES	00				
		REVISIONS			
		DESCRIPTION	DATE	BY	APPD
		SEE SHEET 1			

PART NUMBER	ROWS	SIGNAL				POWER													
		4	3	2	1	P12	P11	P10	P9	P8	P7	P6	P5	P4	P3	P2	P1		
6450862-6	D C B A	AP	AP	AP	AP														
		AP	AP	AP	AP			GP			GS			GS					
		AP	AP	AP	AP														
		AP	AP	AP	AP														

PART NUMBER	ROWS	SIGNAL					POWER							
		5	4	3	2	1	P6	P5	P4	P3	P2	P1		
I-6450862-6	D C B A	AP	AP	AP	AP	AP								
		AP	AP	AP	AP	AP	GP	GP	GP	GP	GS	GS		
		AP	AP	AP	AP	AP								
		AP	AP	AP	AP	AP								

NO CONTACT LOADED



THIS DRAWING IS A CONTROLLED DOCUMENT.		OWN	S. ZHAO	18JUN2008
DIMENSIONS:		CHK	S. ZHAO	18JUN2008
INCHES		APPD	S. ZHAO	18JUN2008
TOLERANCES UNLESS OTHERWISE SPECIFIED:		PRODUCT SPEC		
0 PLC ±.1		APPLICATION SPEC	108-2292	
1 PLC ±.02		APPLICABLE SPEC	114-13251	
2 PLC ±.05		WEIGHT		
3 PLC ±.0020		SCALE	2:1	
4 PLC ±.0020		SHEET	5 of 9	
ANGLES ±.2°		REV	D7	
FINISH		CUSTOMER DRAWING		

TE Connectivity

NAME

VERTICAL RECEPTACLE W/ P+S
MULTI-BEAM XLE

SIZE

A100779

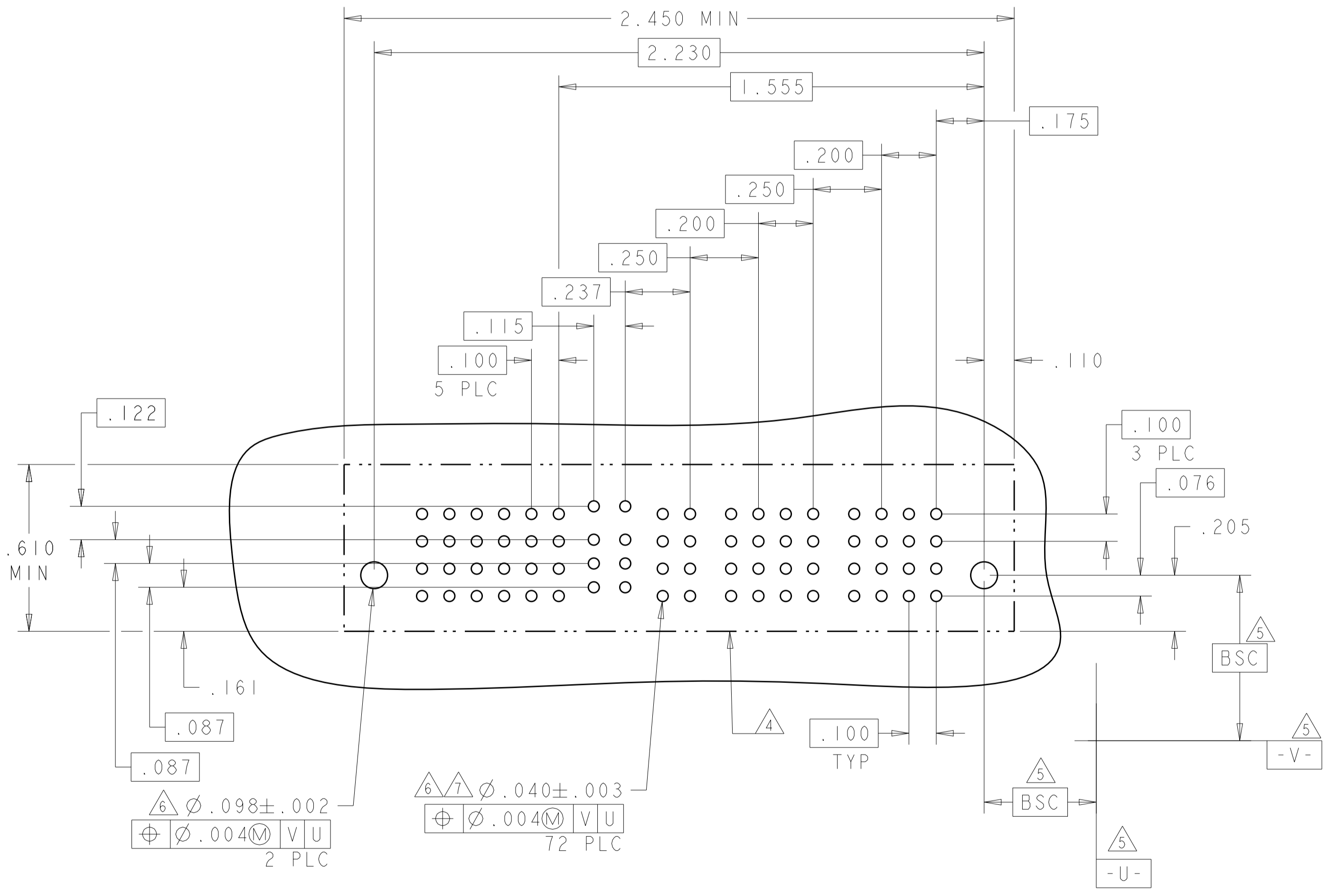
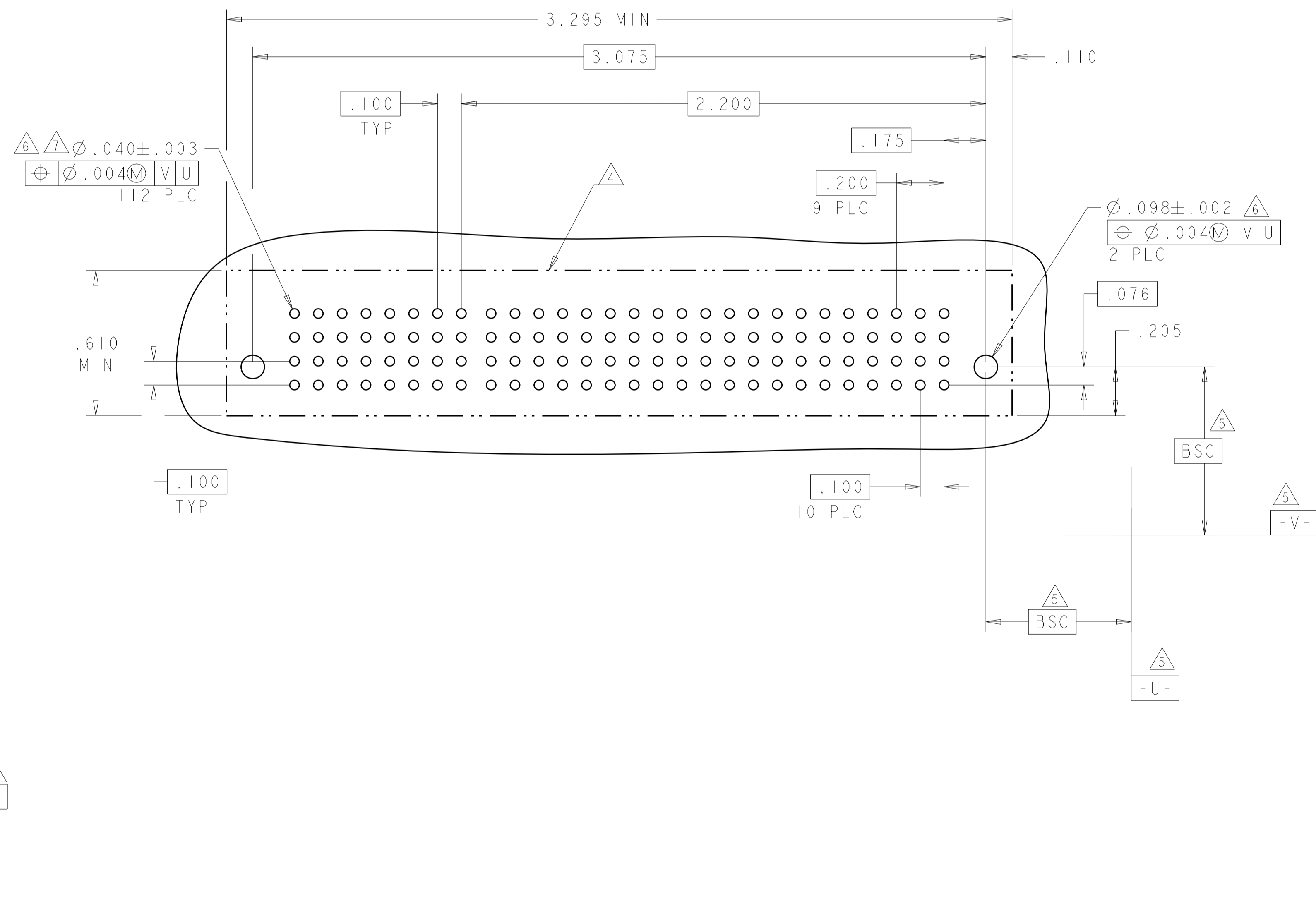
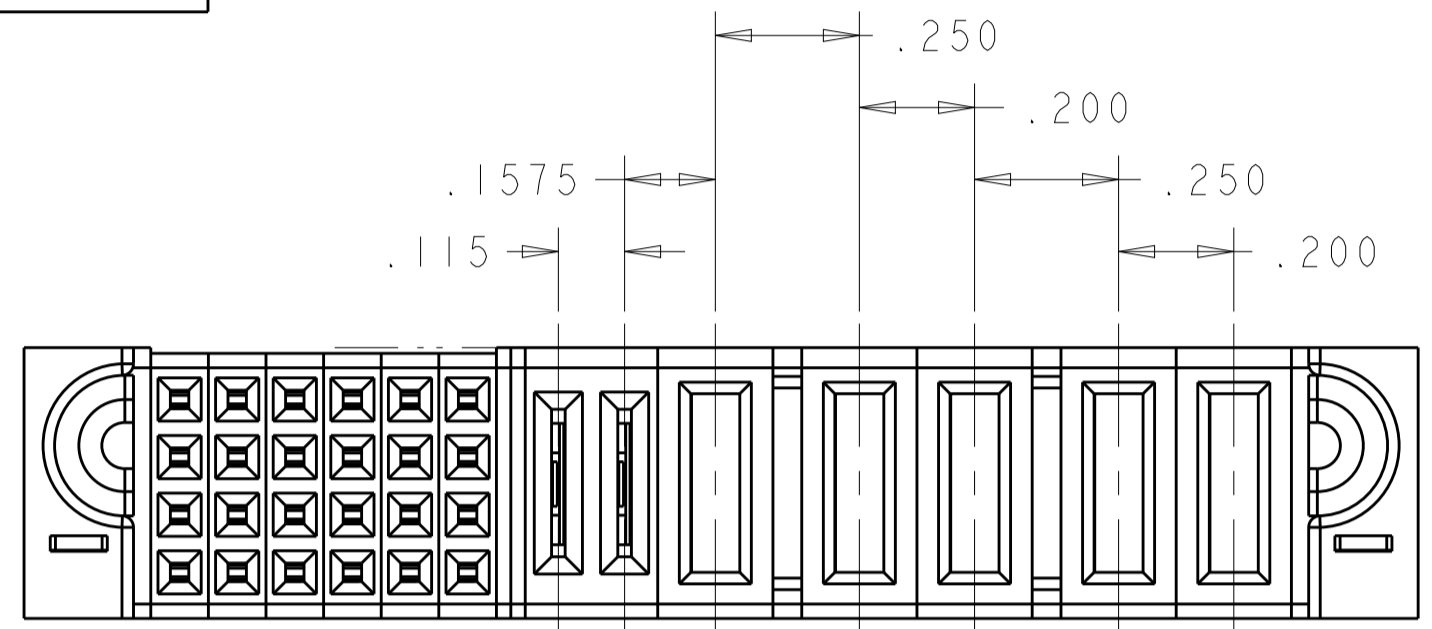
DRAWING NO

C=6450862

LOC	DIST	REV	DATE	BY	APPV	DESCRIPTION
ES	00					SEE SHEET 1

PART NUMBER	ROWS	SIGNAL						POWER						
		6	5	4	3	2	1	LP2	LPI	P5	P4	P3	P2	P1
I-6450862-4	D	AP	AP	AP	AP	AP	AP	LSI	LSI	GP	GP	GP	GS	GS
	C	AP	AP	AP	AP	AP	AP							
	B	AP	AP	AP	AP	AP	AP							
	A	AP	AP	AP	AP	AP	AP							
5P+2LP+24S														

PART NUMBER	ROWS	SIGNAL								POWER									
		8	7	6	5	4	3	2	1	P10	P9	P8	P7	P6	P5	P4	P3	P2	P1
I-6450862-5	D	AP	AP	AP	AP	AP	AP	AP	AP	GS	GS	GS	GS	GS	GS	GS	GS	GS	GS
	C	AP	AP	AP	AP	AP	AP	AP	AP										
	B	AP	AP	AP	AP	AP	AP	AP	AP										
	A	AP	AP	AP	AP	AP	AP	AP	AP										
10HDP + 32S																			



DIMENSIONS:		TOLERANCES UNLESS OTHERWISE SPECIFIED:	
INCHES		0 PLC	±
		1 PLC	±.1
		2 PLC	±.02
		3 PLC	±.005
		4 PLC	±.0020
		ANGLES	±.2°
FINISH		OTHERWISE SPECIFIED:	

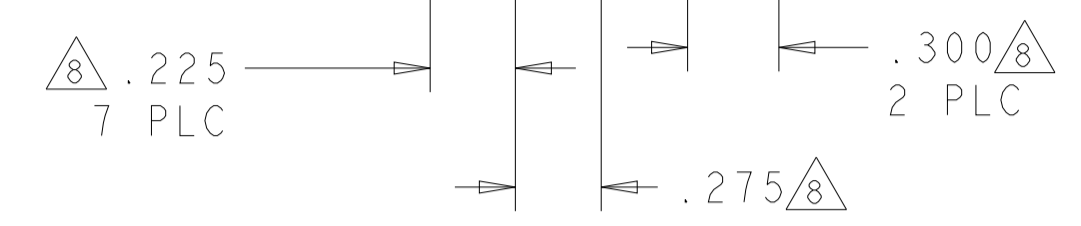
THIS DRAWING IS A CONTROLLED DOCUMENT.	DWN: S.ZHAO 18JUN2008	CHK: S.ZHAO 18JUN2008	APVD: S.ZHAO 18JUN2008
DATE: 18JUN2008	PRODUCT SPEC: 108-2292	APPLICATION SPEC: 114-13251	WEIGHT:
SIZE: A1	CAGE CODE: 100779	DRAWING NO: 6450862	SCALE: 2:1

CUSTOMER DRAWING		SCALE: 2:1	
SHEET: 6 OF 9		REV: 7	

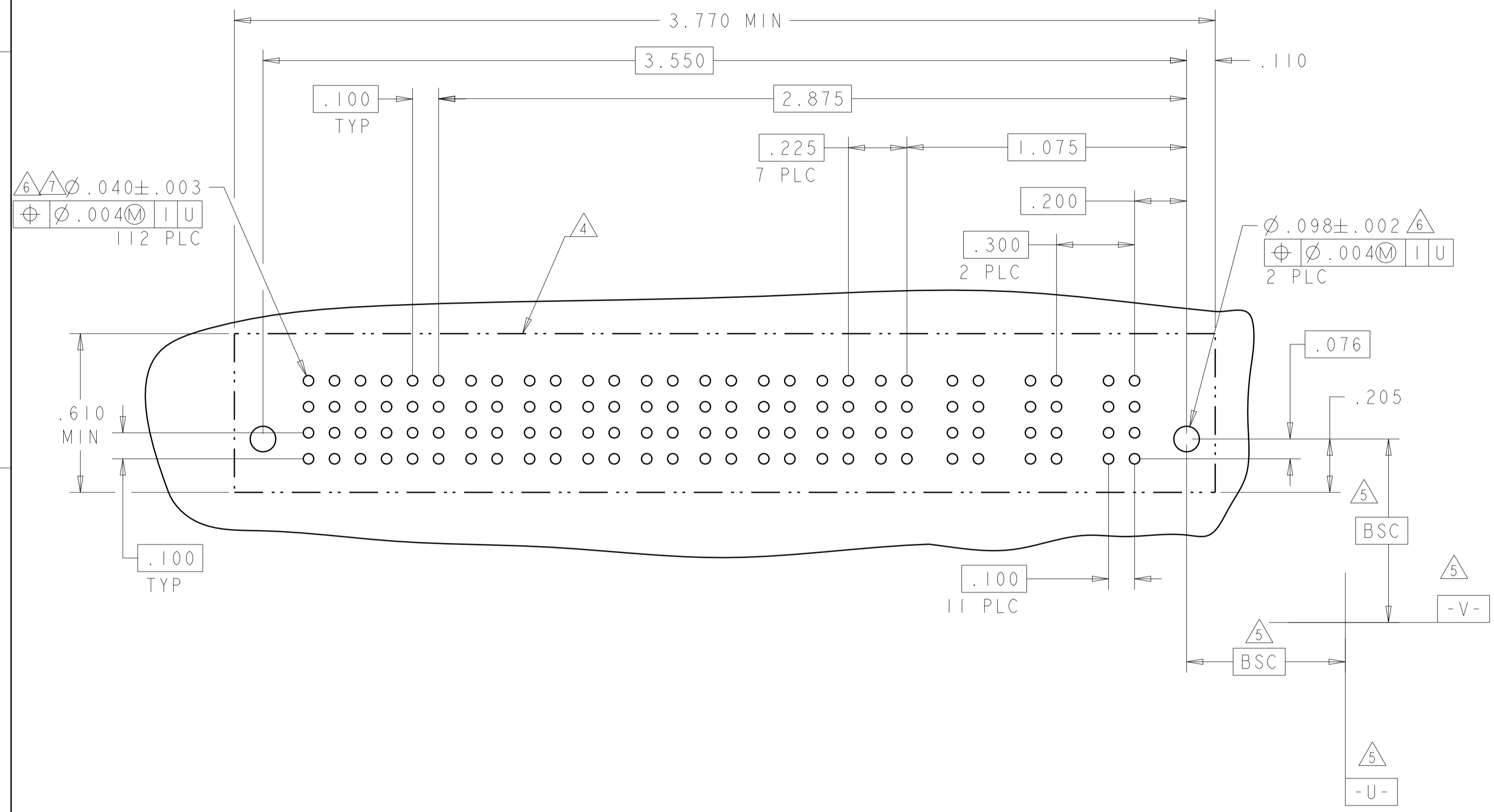
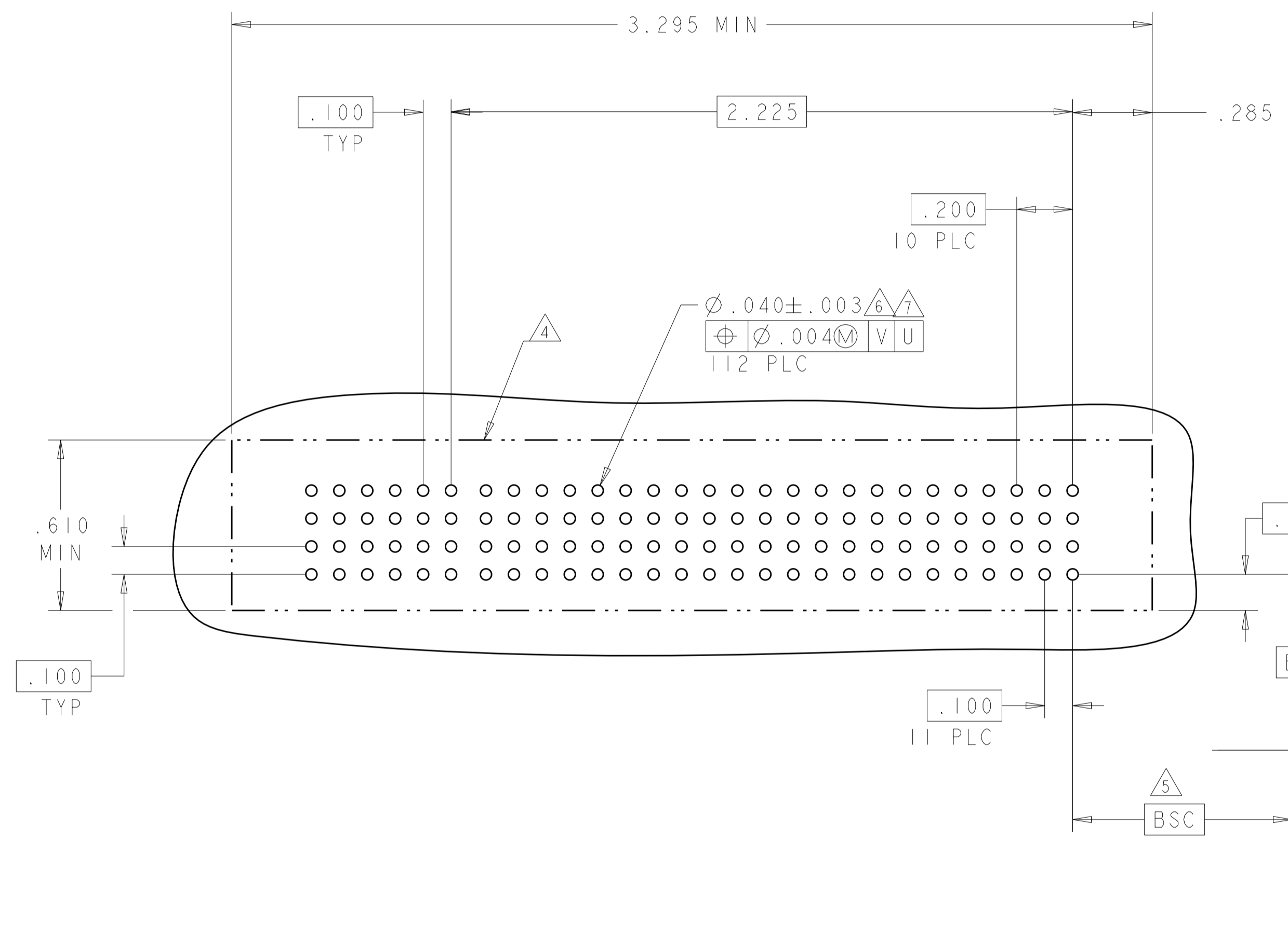
TE CONNECTIVITY		VERTICAL RECEPTACLE W/ P+S MULTI-BEAM XLE	
RESTRICTED TO			

LOC	DIST	REV	DATE	BY	APPV
ES	00				
REVISIONS			DESCRIPTION	DATE	BY
			SEE SHEET 1		

PART NUMBER	ROWS	SIGNAL						POWER													
		6	5	4	3	2	1	P11	P10	P9	P8	P7	P6	P5	P4	P3	P2	P1			
I-6450862-7	D C B A	AP	AP	AP	AP	AP	AP	GS	GS	GS	GS	GS	GS	GS	GP	GS	GS	GS			
		AP	AP	AP	AP	AP	AP	GS	GS	GS	GS	GS	GS	GP	GS	GS	GS				
		AP	AP	AP	AP	AP	AP	GS	GS	GS	GS	GS	GS	GP	GS	GS	GS				
3ACP + 8P + 24S		HD																		HD	



PART NUMBER	ROWS	SIGNAL						POWER													
		6	5	4	3	2	1	P11	P10	P9	P8	P7	P6	P5	P4	P3	P2	P1			
I-6450862-8	D C B A	AP	AP	AP	AP	AP	AP	GS	GS	GS	GS	GS	GS	GS	GS	GS	GS	GS			
		AP	AP	AP	AP	AP	AP	GS	GS	GS	GS	GS	GS	GS	GS	GS	GS				
		AP	AP	AP	AP	AP	AP	GS	GS	GS	GS	GS	GS	GS	GS	GS	GS				
11HDP + 24S		HD																		HD	



THIS DRAWING IS A CONTROLLED DOCUMENT.

DIMENSIONS: INCHES	TOLERANCES UNLESS OTHERWISE SPECIFIED:	0 PLC ±.1 1 PLC ±.1 2 PLC ±.02 3 PLC ±.005 4 PLC ±.0020 ANGLES ±.7°	FINISH	APV: S. ZHAO 18JUN2008	CHK: S. ZHAO 18JUN2008	OWN: S. ZHAO 18JUN2008	NAME: VERTICAL RECEPTACLE W/ P+S MULTI-BEAM XLE
MATERIAL				PRODUCT SPEC: 108-2292	APPLICATION SPEC: 114-13251	WEIGHT	SIZE: A100779 C=6450862
CUSTOMER DRAWING				SCALE: 2:1	SHEET 7 OF 9	REV: 07	RESTRICTED TO

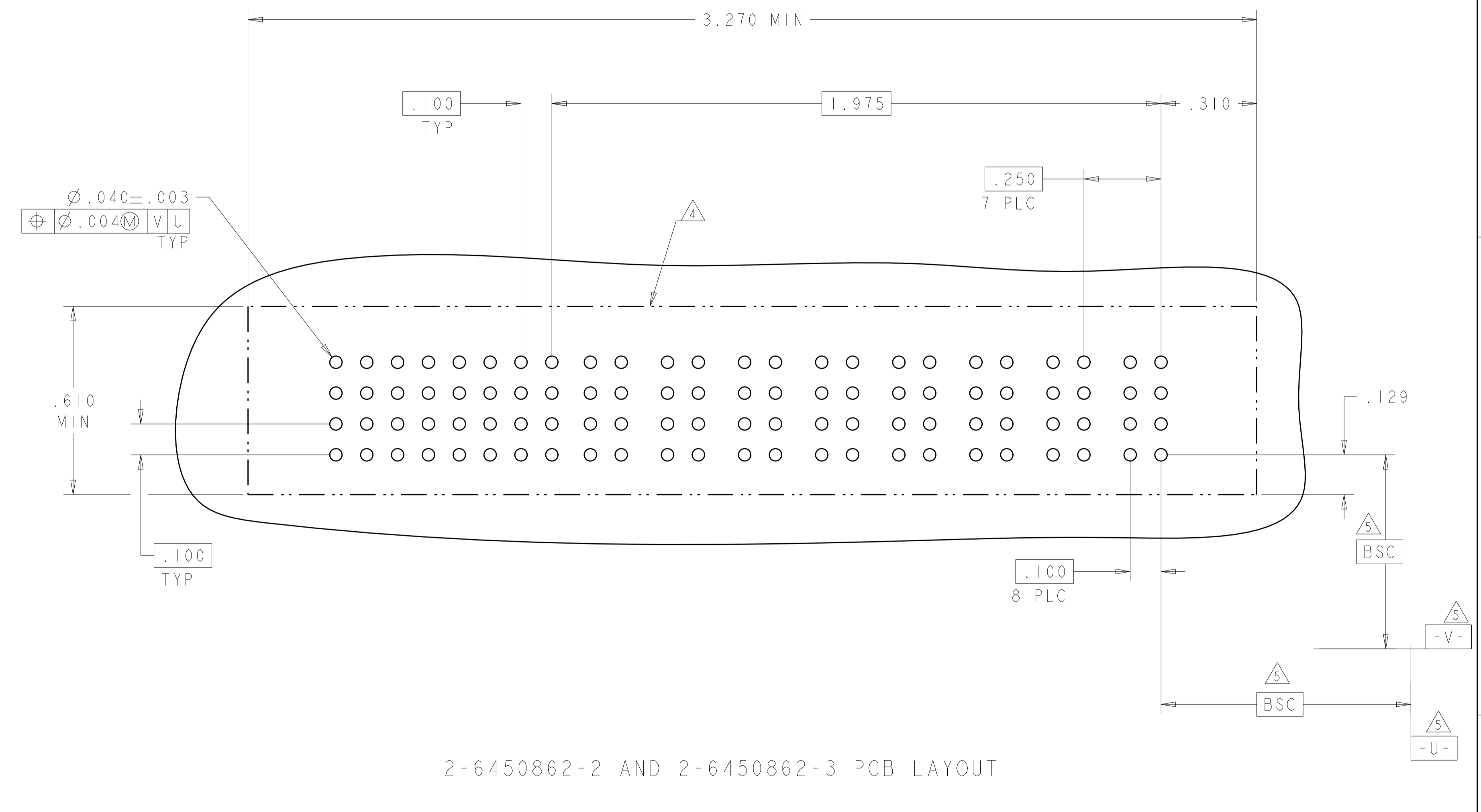
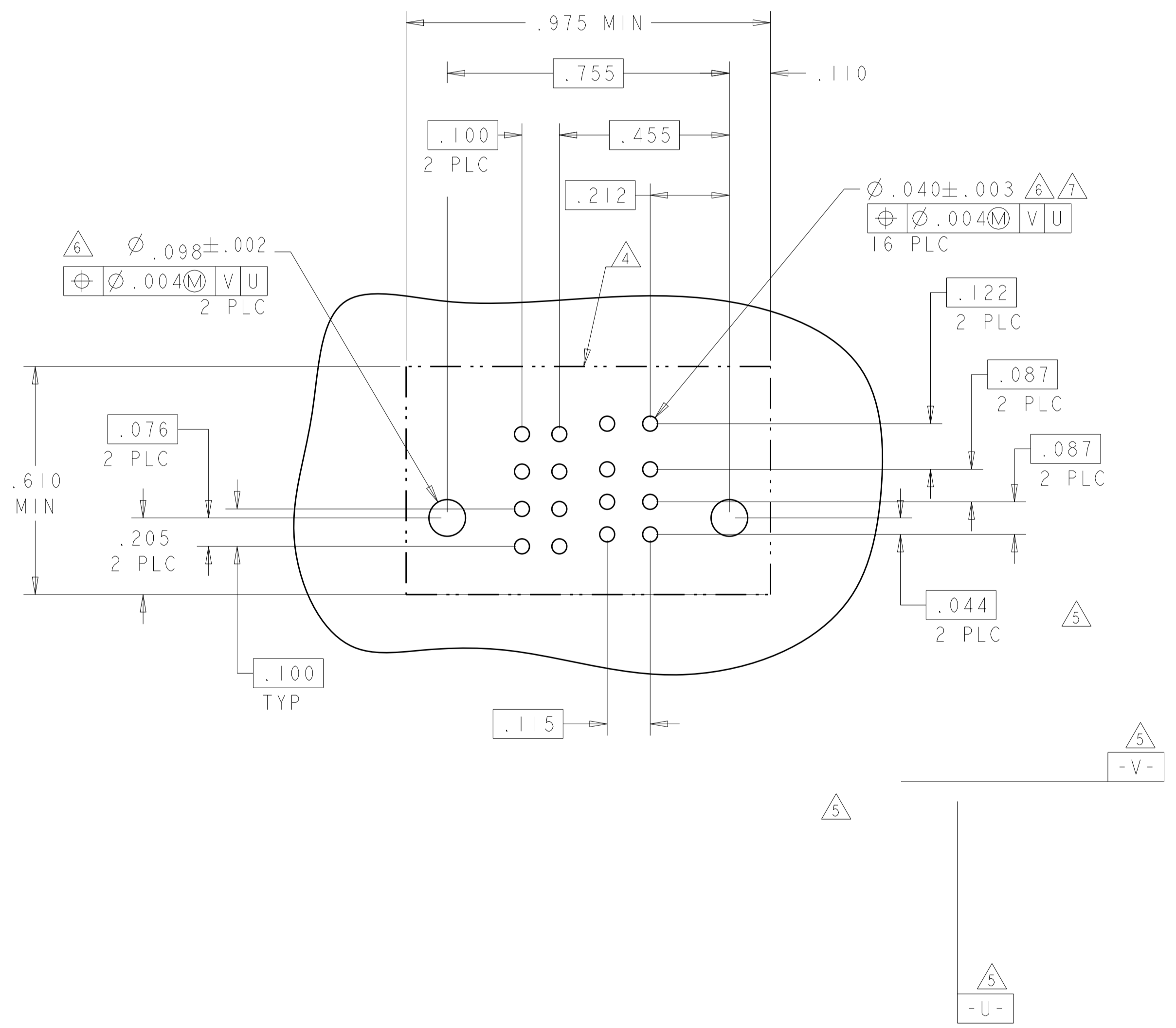
4805 (3/11)

LOC		DIST		REVISIONS				
P	LTN	DATE	DMN	APVD	DESCRIPTION	DATE	DMN	APVD
ES	00	-	-	-	SEE SHEET 1	-	-	-

PART NUMBER	ROWS	SIGNAL		POWER	
		2	1	P2	P1
2-6450862-1	D C B A	AP	AP	LSI	LSI
		AP	AP		
		AP	AP		
		AP	AP		
2LP + 8S		HD	HD		

PART NUMBER	ROWS	SIGNAL								POWER							
		8	7	6	5	4	3	2	1	P8	P7	P6	P5	P4	P3	P2	P1
2-6450862-2	D C B A	AP	AP	AP	AP	AP	AP	AP	AP	GS	GS	GS	GS	GS	GS	GS	GS
		AP	AP	AP	AP	AP	AP	AP	AP	GS	GS	GS	GS	GS	GS	GS	GS
		AP	AP	AP	AP	AP	AP	AP	AP	GS	GS	GS	GS	GS	GS	GS	GS
		AP	AP	AP	AP	AP	AP	AP	AP	GS	GS	GS	GS	GS	GS	GS	GS
8P + 32S																	

PART NUMBER	ROWS	SIGNAL								POWER							
		8	7	6	5	4	3	2	1	P8	P7	P6	P5	P4	P3	P2	P1
2-6450862-3	D C B A	AP	AP	AP	AP	AP	AP	AP	AP	GP	GS	GS	GS	GS	GS	GS	GS
		AP	AP	AP	AP	AP	AP	AP	AP	GP	GS	GS	GS	GS	GS	GS	GS
		AP	AP	AP	AP	AP	AP	AP	AP	GP	GS	GS	GS	GS	GS	GS	GS
		AP	AP	AP	AP	AP	AP	AP	AP	GP	GS	GS	GS	GS	GS	GS	GS
8P + 32S																	

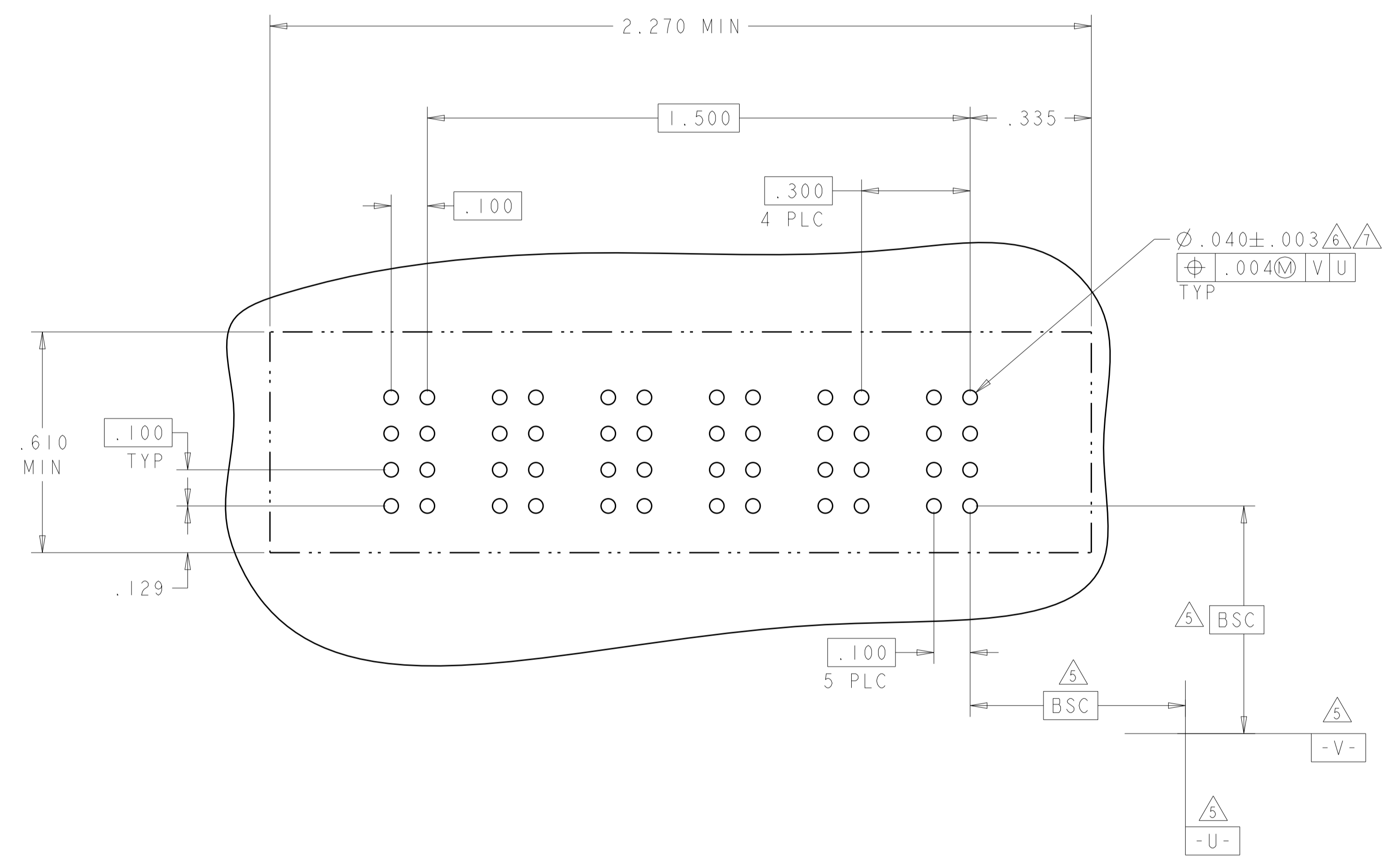


2-6450862-2 AND 2-6450862-3 PCB LAYOUT

THIS DRAWING IS A CONTROLLED DOCUMENT.		DMN S. ZHAO 18JUN2008	TE Connectivity
DIMENSIONS: INCHES		CHK S. ZHAO 18JUN2008	
TOLERANCES UNLESS OTHERWISE SPECIFIED:		APVD S. ZHAO 18JUN2008	NAME VERTICAL RECEPTACLE W/ P+S MULTI-BEAM XLE
0 PLC ±.1 1 PLC ±.1 2 PLC ±.02 3 PLC ±.005 4 PLC ±.002 ANGLES ±.0020		PRODUCT SPEC 108-2292	SIZE CAGE CODE DRAWING NO RESTRICTED TO
MATERIAL FINISH		APPLICATION SPEC 114-13251	A100779C=6450862
		WEIGHT	SCALE 2:1 SHEET 8 OF 9 REV D7
		CUSTOMER DRAWING	

LOC	DIST	REVISIONS			
P	LTN	DESCRIPTION	DATE	DWN	APVD
-	-	SEE SHEET 1	-	-	-

PART NUMBER	ROWS	SIGNAL		POWER				
		2	1	P5	P4	P3	P2	P1
2-6450862-4	D	AP	AP	GP	GS	GS	GS	GS
	C	AP	AP					
	B	AP	AP					
	A	AP	AP					
5ACP + 8S								



THIS DRAWING IS A CONTROLLED DOCUMENT.		DWN S. ZHAO 18JUN2008												
DIMENSIONS: INCHES		CHK S. ZHAO 18JUN2008												
TOLERANCES UNLESS OTHERWISE SPECIFIED:		APVD S. ZHAO 18JUN2008												
<table border="1"> <tr><td>0 PLC</td><td>±.1</td></tr> <tr><td>1 PLC</td><td>±.1</td></tr> <tr><td>2 PLC</td><td>±.02</td></tr> <tr><td>3 PLC</td><td>±.05</td></tr> <tr><td>4 PLC</td><td>±.0020</td></tr> <tr><td>ANGLES</td><td>±.2°</td></tr> </table>		0 PLC		±.1	1 PLC	±.1	2 PLC	±.02	3 PLC	±.05	4 PLC	±.0020	ANGLES	±.2°
0 PLC	±.1													
1 PLC	±.1													
2 PLC	±.02													
3 PLC	±.05													
4 PLC	±.0020													
ANGLES	±.2°													
MATERIAL	FINISH	RESTRICTED TO	NAME VERTICAL RECEPTACLE W/ P+S MULTI-BEAM XLE SIZE CAGE CODE DRAWING NO A100779C=6450862 CUSTOMER DRAWING SCALE 2:1 SHEET 9 OF 9 REV D7											



Компания «ЭлектроПласт» предлагает заключение долгосрочных отношений при поставках импортных электронных компонентов на взаимовыгодных условиях!

Наши преимущества:

- Оперативные поставки широкого спектра электронных компонентов отечественного и импортного производства напрямую от производителей и с крупнейших мировых складов;
- Поставка более 17-ти миллионов наименований электронных компонентов;
- Поставка сложных, дефицитных, либо снятых с производства позиций;
- Оперативные сроки поставки под заказ (от 5 рабочих дней);
- Экспресс доставка в любую точку России;
- Техническая поддержка проекта, помощь в подборе аналогов, поставка прототипов;
- Система менеджмента качества сертифицирована по Международному стандарту ISO 9001;
- Лицензия ФСБ на осуществление работ с использованием сведений, составляющих государственную тайну;
- Поставка специализированных компонентов (Xilinx, Altera, Analog Devices, Intersil, Interpoint, Microsemi, Aeroflex, Peregrine, Syfer, Eurofarad, Texas Instrument, Miteq, Cobham, E2V, MA-COM, Hittite, Mini-Circuits, General Dynamics и др.);

Помимо этого, одним из направлений компании «ЭлектроПласт» является направление «Источники питания». Мы предлагаем Вам помощь Конструкторского отдела:

- Подбор оптимального решения, техническое обоснование при выборе компонента;
- Подбор аналогов;
- Консультации по применению компонента;
- Поставка образцов и прототипов;
- Техническая поддержка проекта;
- Защита от снятия компонента с производства.



Как с нами связаться

Телефон: 8 (812) 309 58 32 (многоканальный)

Факс: 8 (812) 320-02-42

Электронная почта: org@eplast1.ru

Адрес: 198099, г. Санкт-Петербург, ул. Калинина, дом 2, корпус 4, литера А.