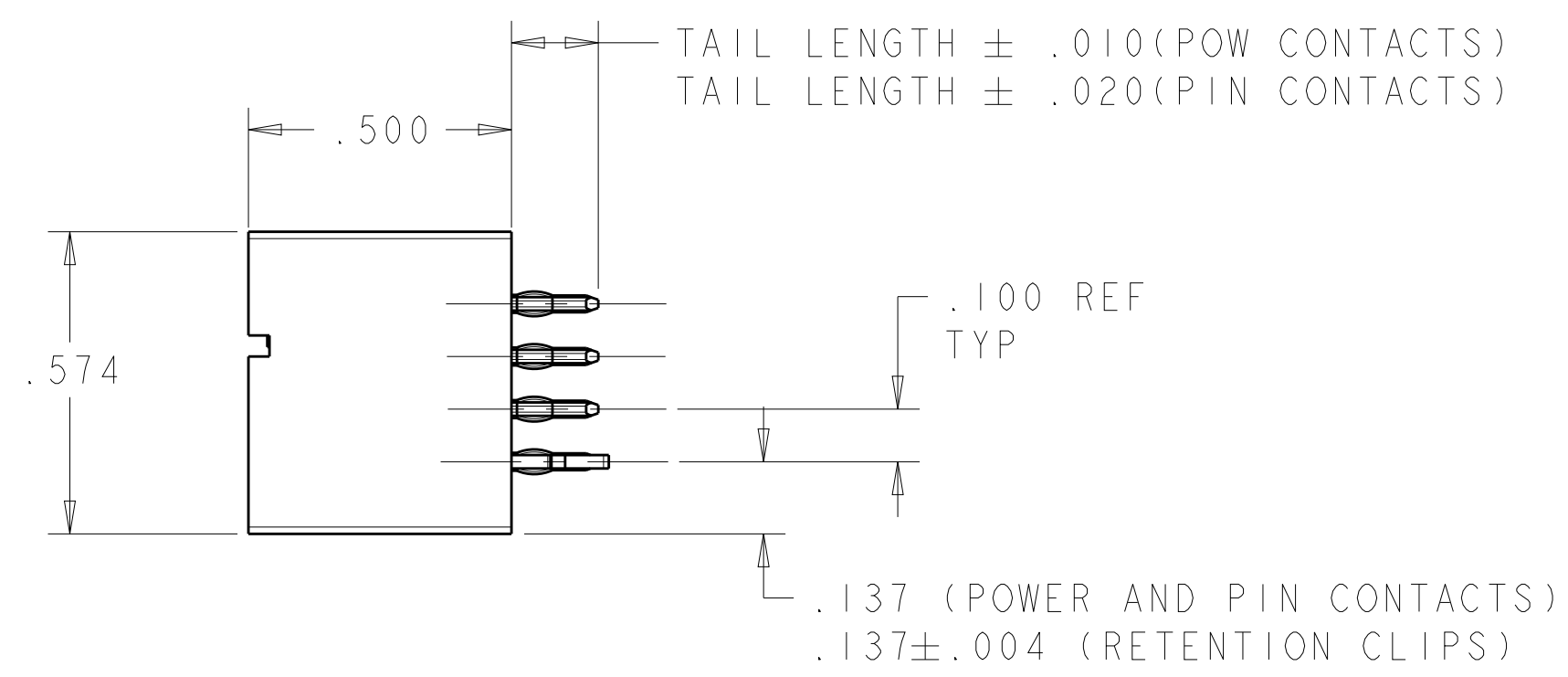
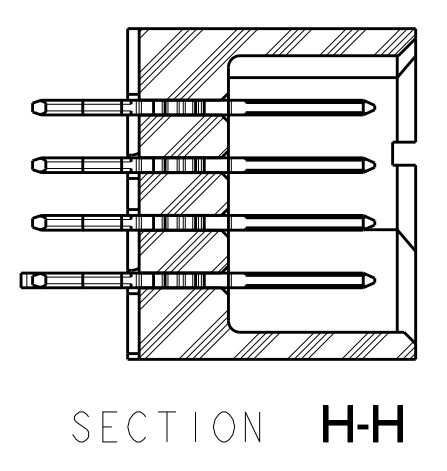
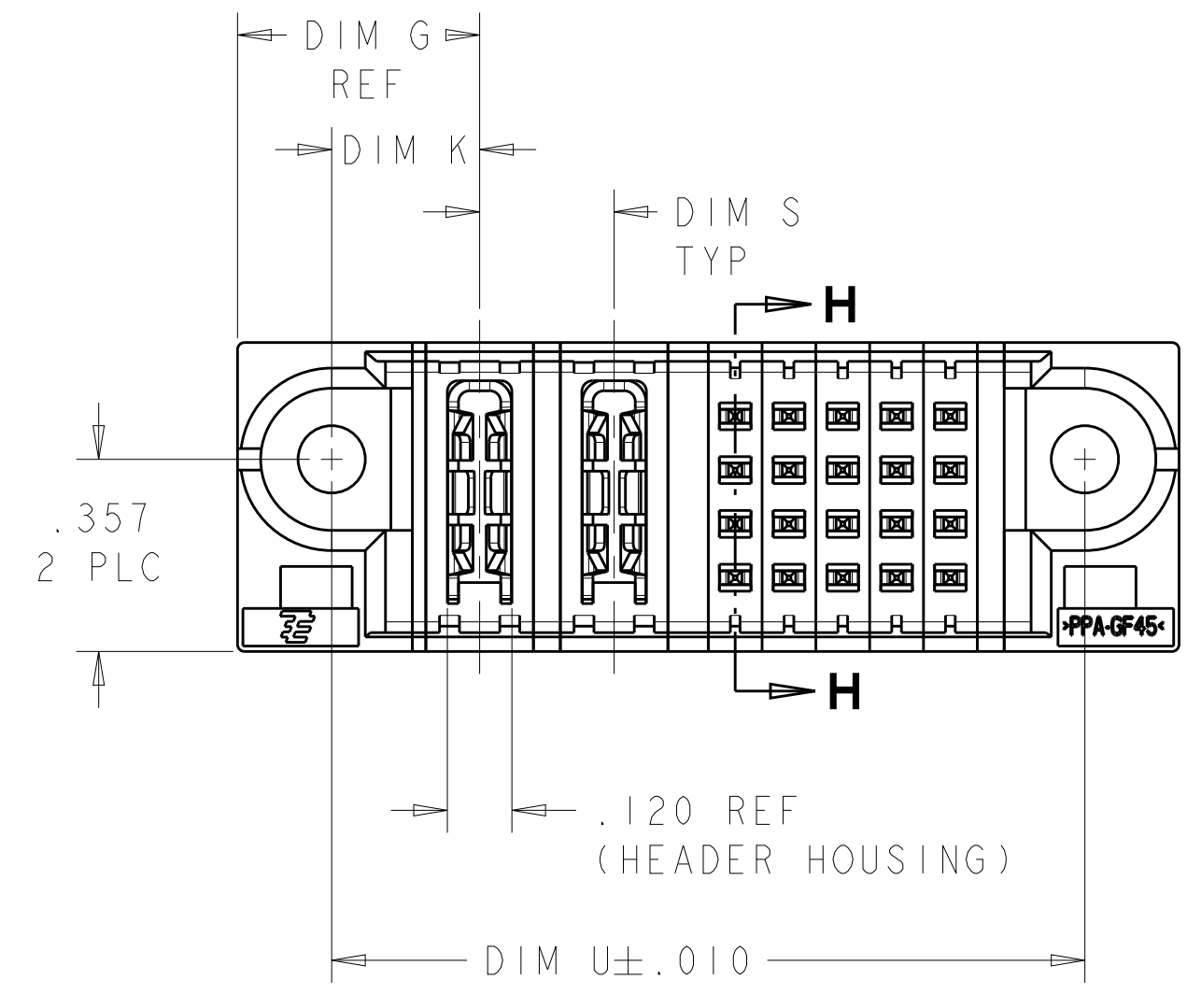
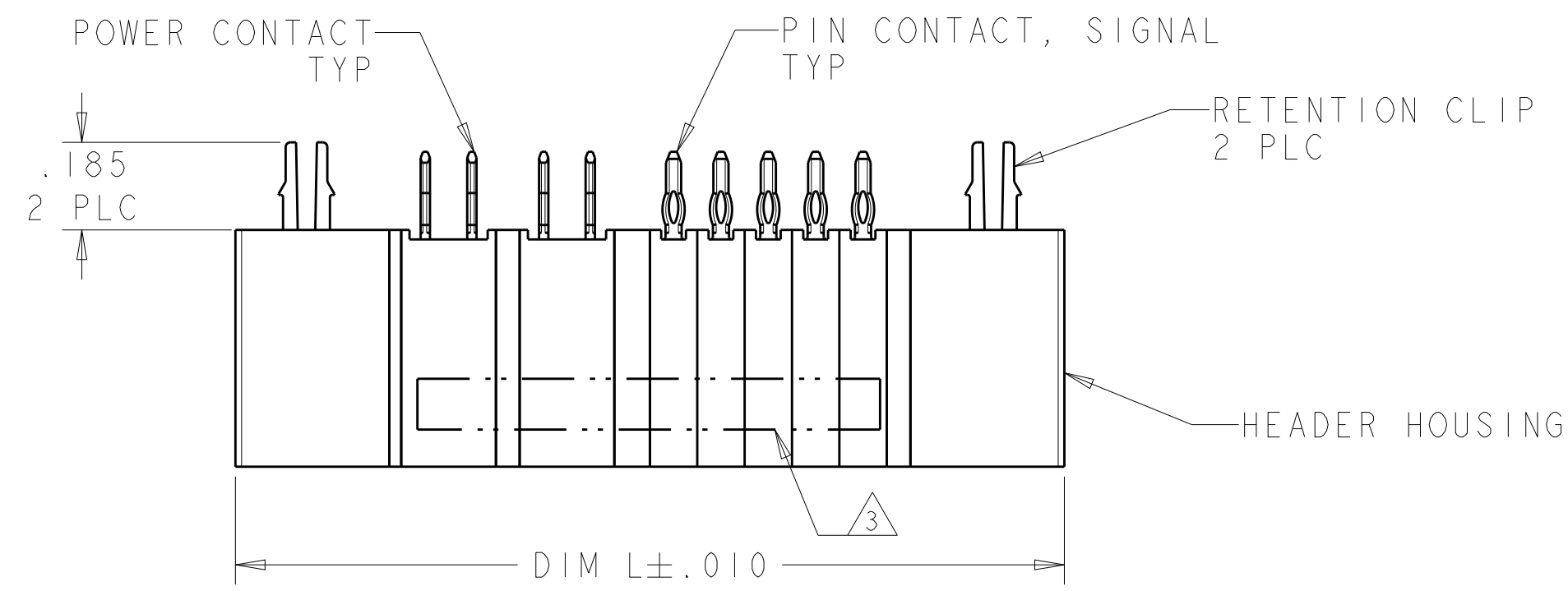
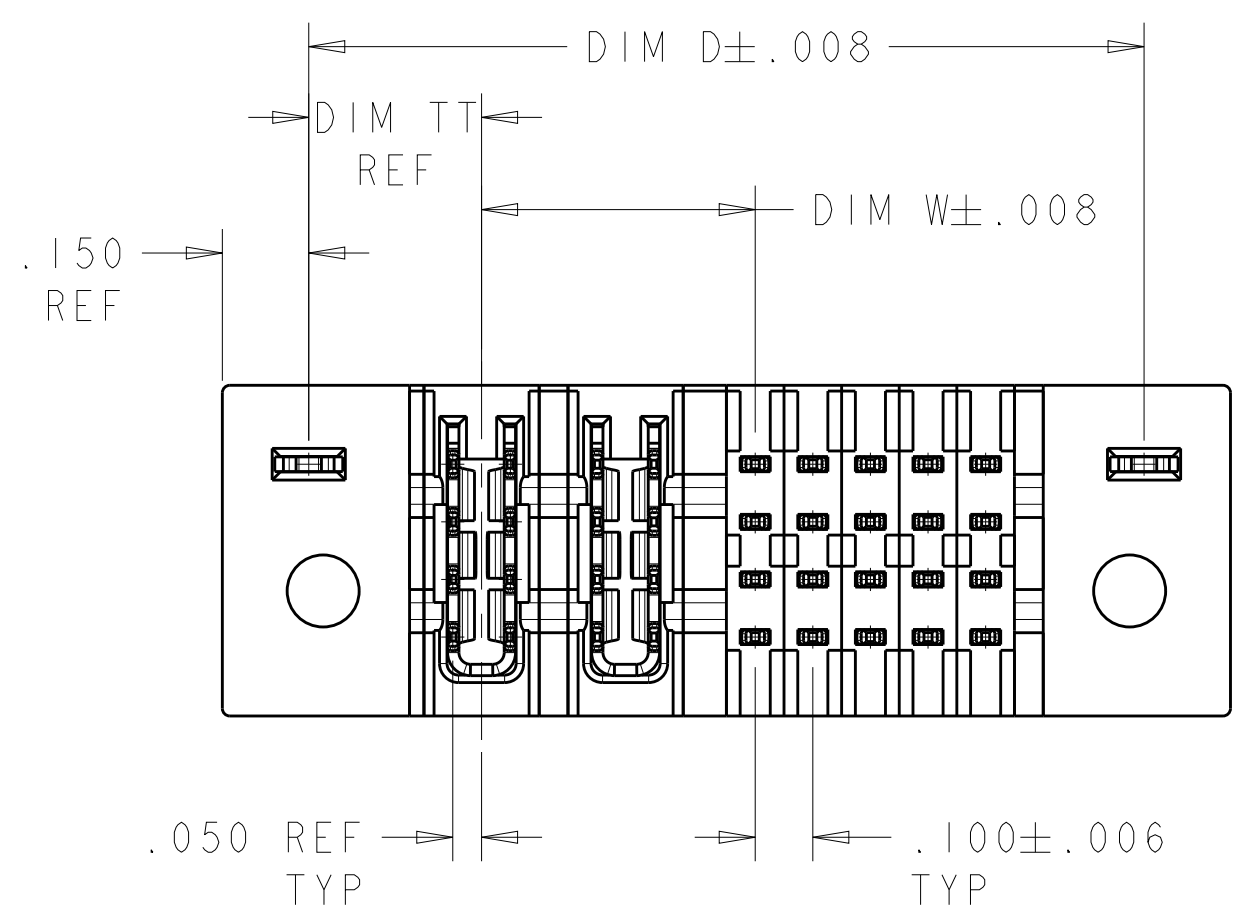


LOC	DIST	REVISIONS					
		P	LTN	DESCRIPTION	DATE	DWN	APVD
ES	00	G1		ADD NEW PART -19 AND -20	14JAN2015	AY	SZ



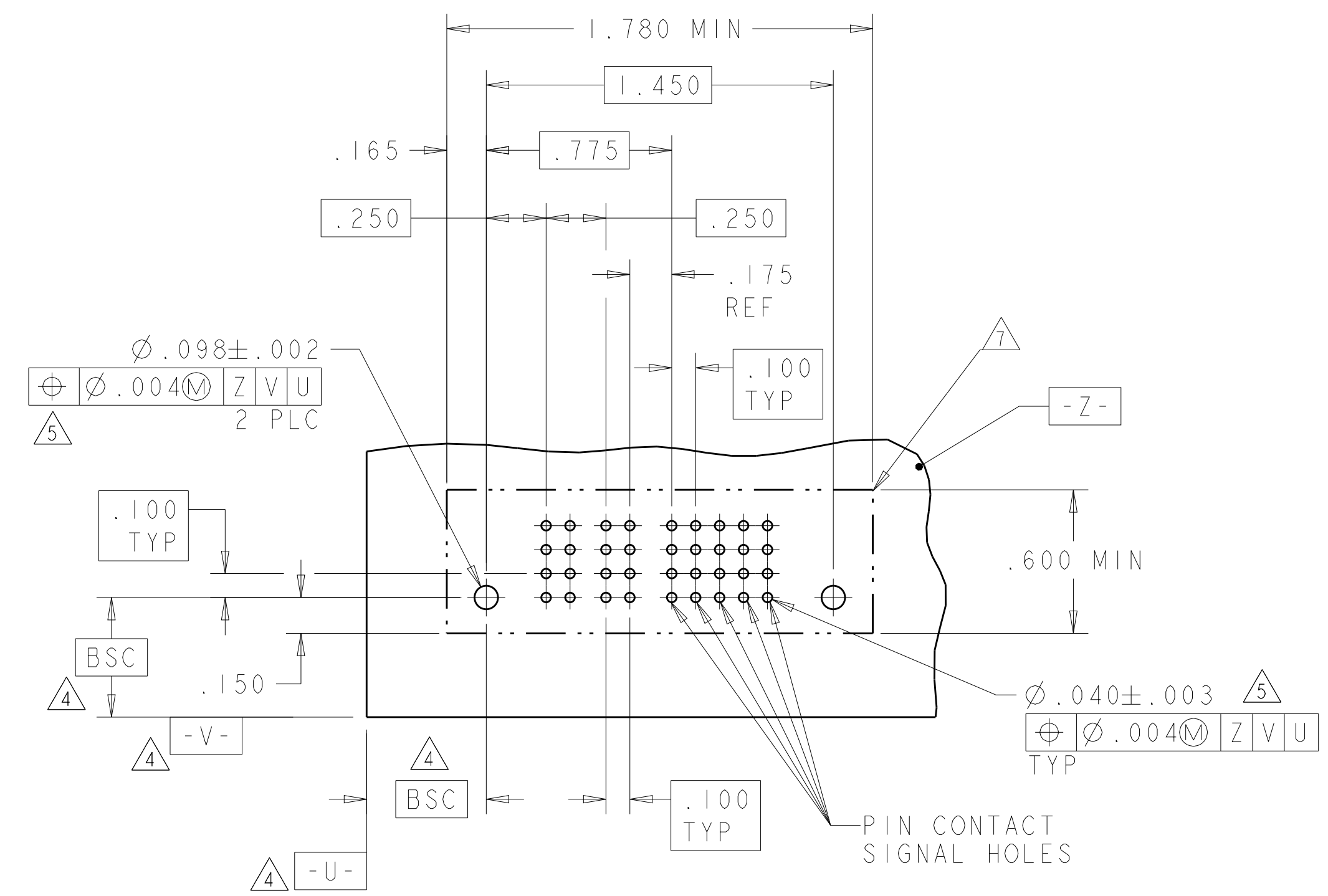
- ⚠️ HEADER HOUSING: THERMO PLASTIC, BLACK, UL94 V-O; CONTACTS AND RETENTION CLIPS: COPPER ALLOY.
- ⚠️ CONTACT PLATING: NOBLE METAL PLATING ON CONTACT FUNCTIONAL AREA OF POWER AND SIGNAL CONTACTS  
RETENTION CLIP: .000115 MIN TIN.
- ⚠️ "AMP", PART NUMBER AND DATE CODE MARKED IN THIS AREA. PARTS UNDER 2.50 LONG MAY BE MARKED ON BOTH SIDES.
- ⚠️ DATUM AND BASIC DIMENSIONS ESTABLISHED BY CUSTOMER.
- ⚠️ PCB - ALL HOLE DIAMETERS ARE FINISHED HOLE SIZES.
- 6. A SEATING TOOL IS REQUIRED TO SEAT THE HEADER ON THE P.C. BOARD. PLEASE REFER TO THE 114-13038 APPLICATION SPEC.
- ⚠️ MECHANICAL CONNECTOR KEEP OUT ZONE.
- ⚠️ VARIABLE DIMENSION SHOWED ON TABLE SHEET.

-	-	.700	-	1.050	-	-	.750	NO	16S	2-6600313-0
.300	.925	1.500	.250	1.850	.275	.450	1.550	NO	4P + 8S	1-6600313-9
-	.425	3.100	.250	3.450	.275	.450	-	NO	2P + 92S	1-6600313-8
-	2.150	3.225	⚠️	3.575	.350	.525	-	NO	3ACP + 6P + 24S	1-6600313-7
.300	.925	1.800	.250	2.150	.275	.450	1.850	NO	4P + 20S	1-6600313-6
.300	.425	1.200	.250	1.550	.275	.450	1.250	YES	2P + 16S	1-6600313-5
.300	2.425	3.800	.250	4.150	.275	.450	3.850	YES	10P + 40S	1-6600313-4
.300	.975	1.650	.250	2.000	.275	.450	1.700	YES	4P + 12S	1-6600313-3
-	-	.600	-	.950	-	-	.650	YES	8S	1-6600313-2
.325	2.600	3.200	.300	3.550	.300	.475	3.250	YES	9ACP + 8S	1-6600313-1
.300	.925	1.500	.250	1.850	.275	.450	1.550	YES	4P + 8S	1-6600313-0
.275	1.800	2.400	.200	2.750	.250	.425	2.450	YES	9HDP + 8S	6600313-9
.300	1.375	1.850	.200	2.200	.275	.450	1.900	YES	7HDP + 4S	6600313-8
Ⓡ	.325	1.825	⚠️	3.175	.300	.475	2.875	YES	3ACP + 4P + 24S	6600313-6
.325	1.500	2.250	.250	2.600	.300	.475	2.300	YES	6P + 12S	6600313-3
.300	.475	1.400	.250	1.750	.275	.450	1.450	YES	2P + 20S	6600313-2
DIM "TT"	DIM "W"	DIM "U"	DIM "S"	DIM "L"	DIM "K"	DIM "G"	DIM "D"	RETENTION CLIP	DESCRIPTION	PART NUMBER

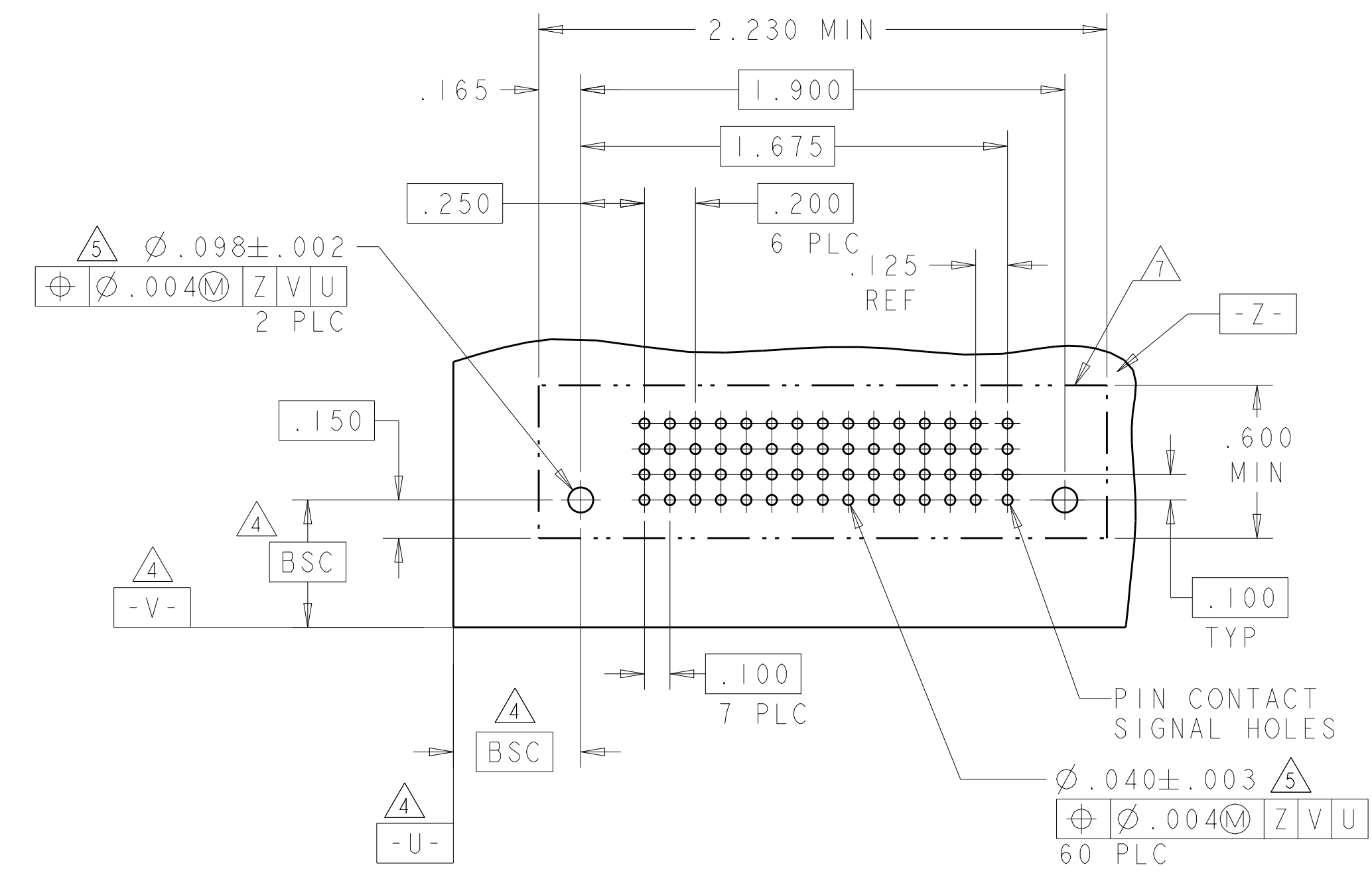
DIMENSIONS: INCH 		TOLERANCES UNLESS OTHERWISE SPECIFIED: 0 PLC ±.1 2 PLC ±.05 3 PLC ±.005 4 PLC ±. ANGLES ±. FINISH		DWN J. McCLINTON 060CT05 CHK D. TROUT 060CT05 APVD B. MLYNE 060CT05	Tyco Electronics Corporation Shanghai, P.R. China. 200233
MATERIAL ⚠️ FINISH ⚠️		WEIGHT CUSTOMER DRAWING		NAME VERTICAL HEADER ASSEMBLY, W/GUIDES PRESS FIT, TYPE PS MULTI-BEAM XL	SIZE CAGE CODE DRAWING NO A1100779C=6600313
SCALE 3:1		SHEET 1 OF 7		REV G1	

PART NUMBER	ROWS	POWER		SIGNAL					HD
		P1	P2	1	2	3	4	5	
6600313-2	D	VM	VM	EV	EV	EV	EV	EV	HD
	C			EV	EV	EV	EV	EV	
	B			EV	EV	EV	EV	EV	
	A			EV	EV	EV	EV	EV	
2P+20S		HD							HD

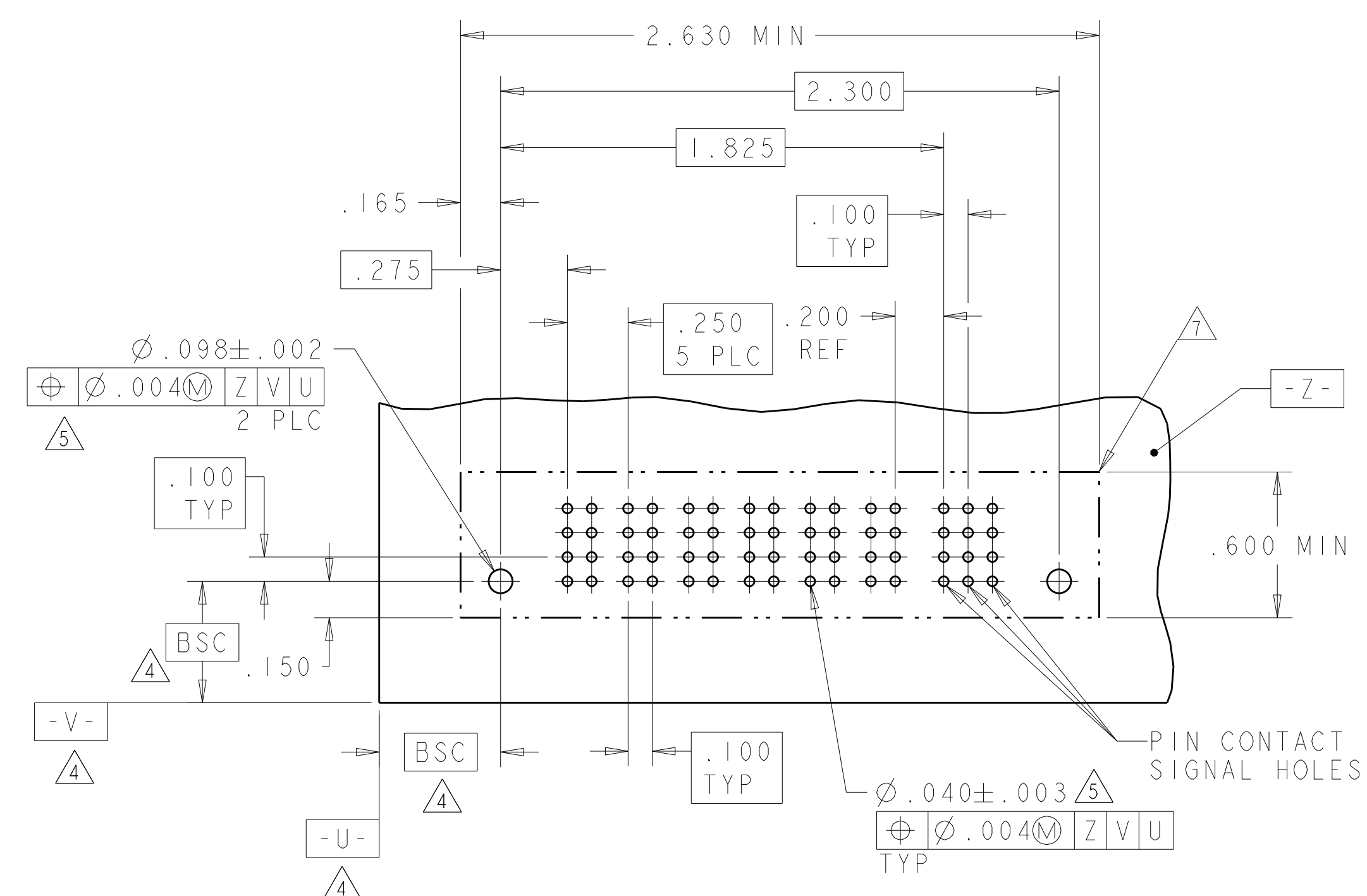
PART NUMBER	ROWS	POWER							S	HD	
		P1	P2	P3	P4	P5	P6	P7	I		
6600313-8	D	VM	VM	VM	VM	VM	VM	VM	EV	HD	
	C								EV		
	B								EV		
	A								ES		
7HDP+4S		HD									HD



RECOMMENDED PCB LAYOUT 6600313-2  
 SCALE 2:1



PART NUMBER	ROWS	POWER						SIGNAL			HD
		P1	P2	P3	P4	P5	P6	1	2	3	
6600313-3	D	VM	VM	VM	VM	VM	VM	EV	EV	EV	HD
	C							EV	EV	EV	
	B							EV	EV	EV	
	A							EV	EV	EV	
6P+12S		HD								HD	



RECOMMENDED PCB LAYOUT 6600313-3  
 SCALE 2:1

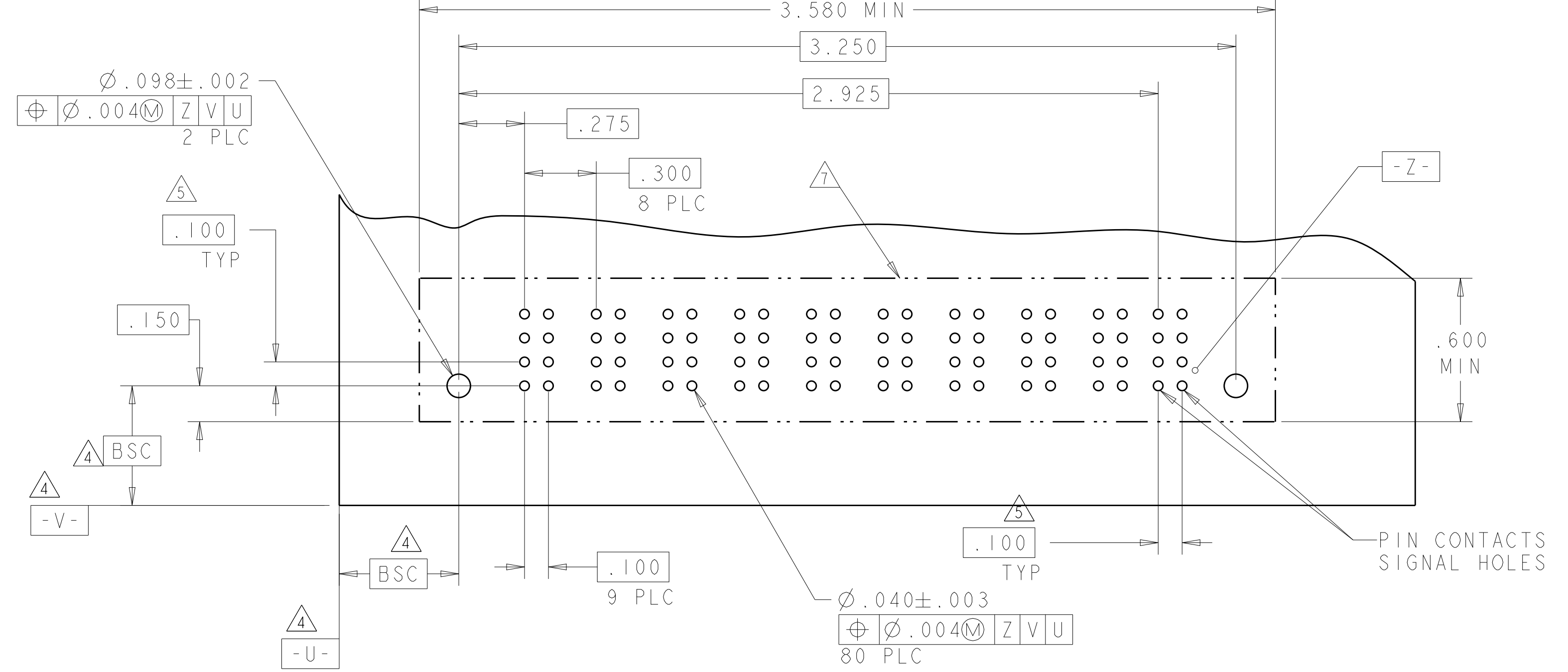
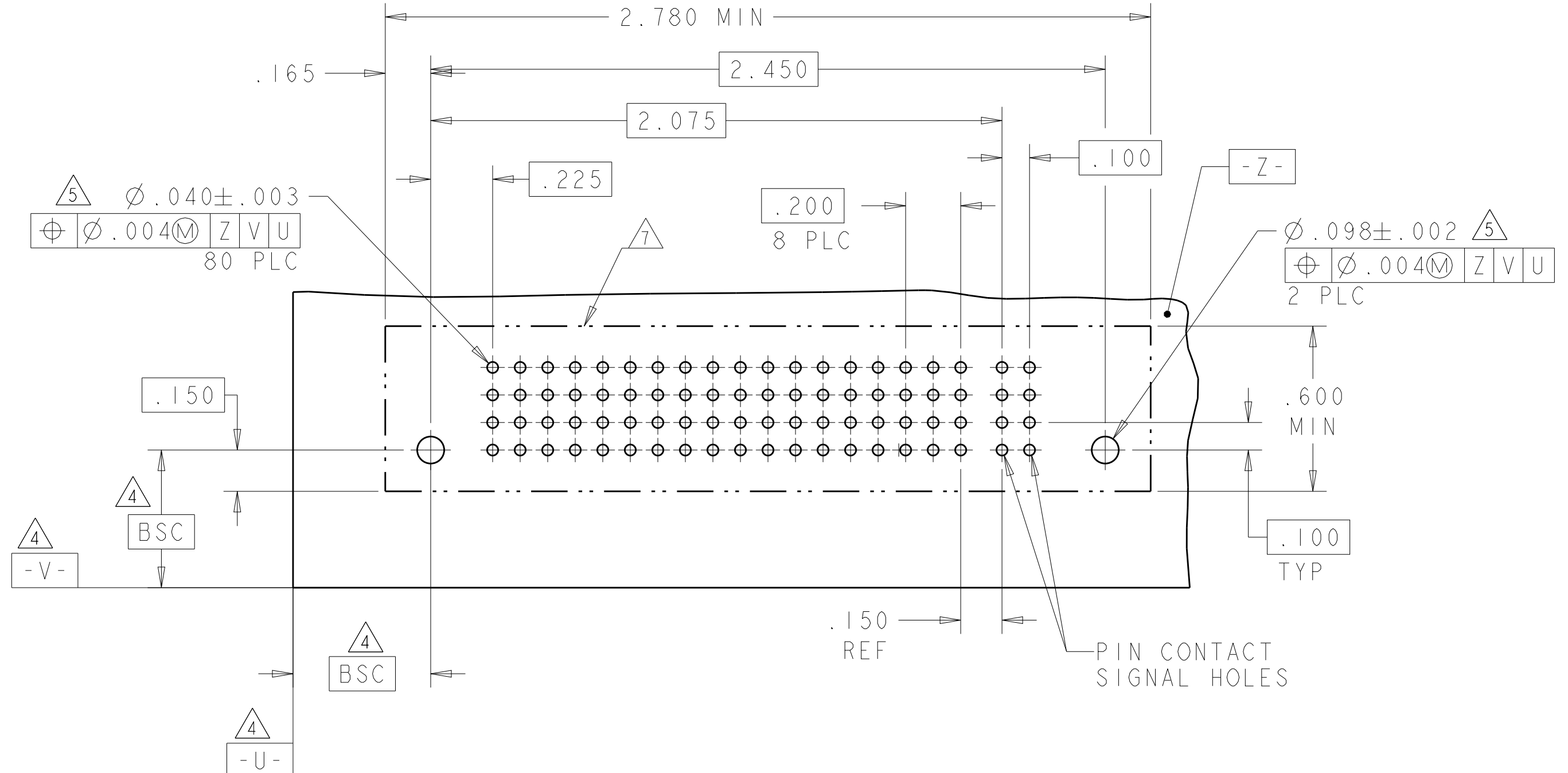
-	RETENTION CLIP	HD
MLBF	SIGNAL CONTACT, .165 TAIL LENGTH, PRESS FIT.	ES
STANDARD	SIGNAL CONTACT, .165 TAIL LENGTH, PRESS FIT.	EV
-	POWER CONTACT, .165 TAIL LENGTH, PRESS FIT.	VM
MATING SEQUENCE	DESCRIPTION	IDENTIFIER

DIMENSIONS: INCH 		TOLERANCES UNLESS OTHERWISE SPECIFIED: 0 PLC ± 1 PLC ±0.1 2 PLC ± 3 PLC ±0.005 4 PLC ± ANGLES ± FINISH		DWN J. McCLINTON 06OCT05 CHK D. TROUT 06OCT05 APVD P. MLYNE 06OCT05 PRODUCT SPEC 108-1973 APPLICATION SPEC 114-13038 WEIGHT CUSTOMER DRAWING		Tyco Electronics Corporation Shanghai, P.R. China. 200233 NAME VERTICAL HEADER ASSEMBLY, W/GUIDES PRESS FIT, TYPE PS MULTI-BEAM XL SIZE CAGE CODE DRAWING NO RESTRICTED TO A100779C=6600313 SCALE 3:1 SHEET 2 OF 7 REV G1	
-------------------------	--	---	--	--	--	---	--

LOC	DIST	REV	DATE	BY	APPD
ES	00				

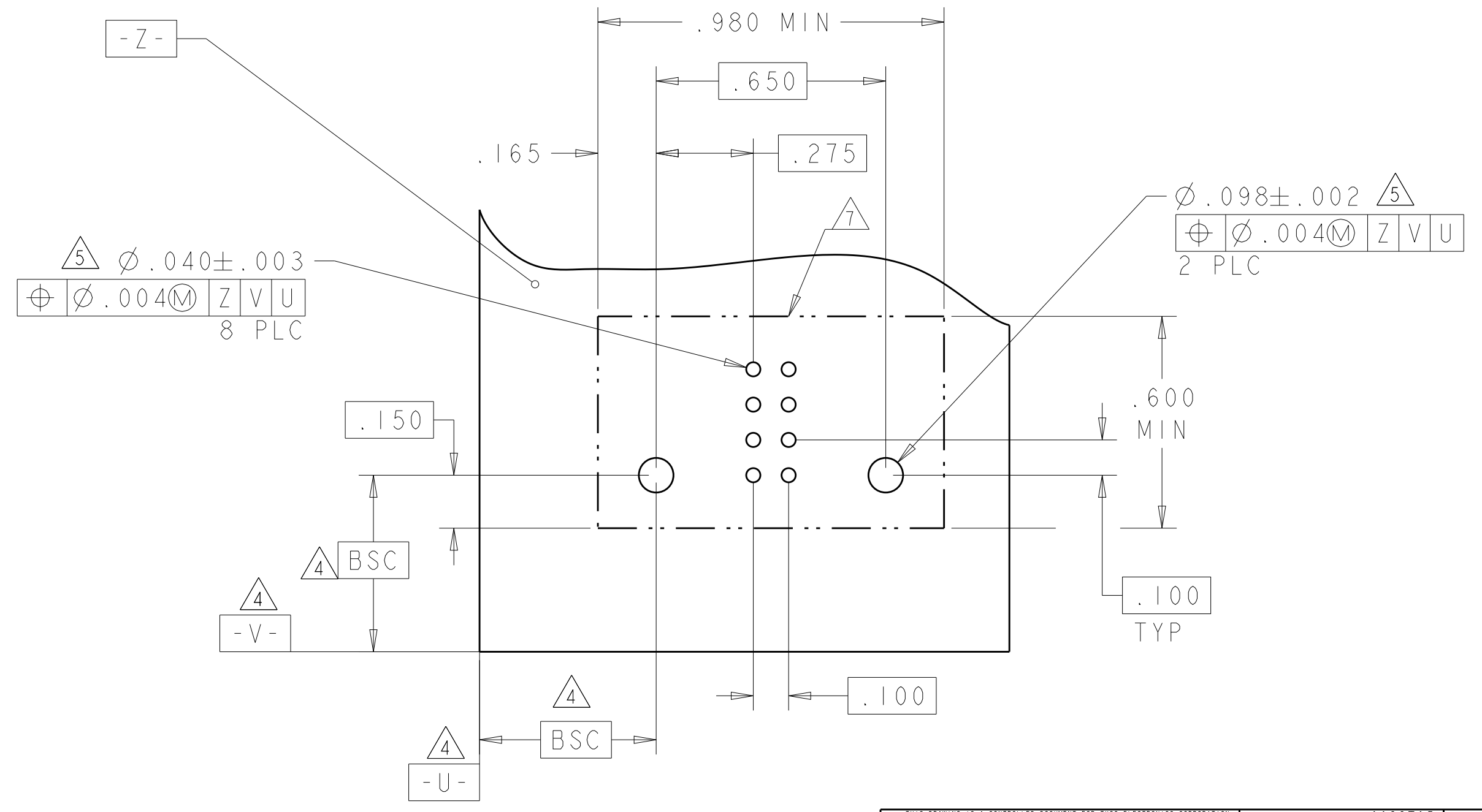
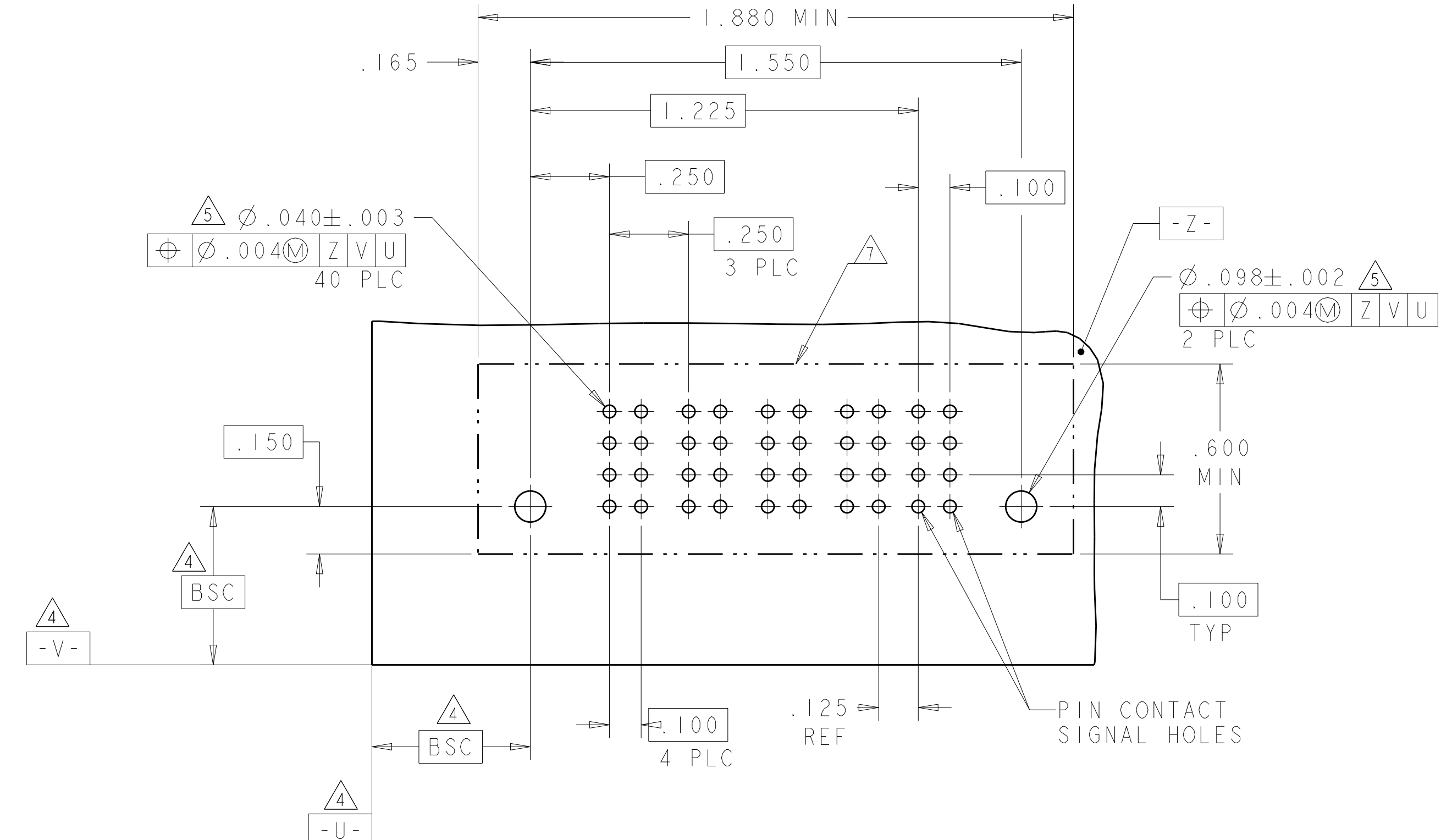
PART NUMBER	ROWS	POWER								S		
		P1	P2	P3	P4	P5	P6	P7	P8	P9	1	2
6600313-9	D									EV	EV	
	C	VM	VM	VM	VM	VM	VM	VM	VM	EV	EV	
	B									EV	EV	
	A									EV	EV	
9HDP+8S		HD									HD	

PART NUMBER	ROWS	POWER								S		
		P1	P2	P3	P4	P5	P6	P7	P8	P9	1	2
I-6600313-1	D									EV	EV	
	C	VM	VM	VM	VM	VM	VM	VM	VM	EV	EV	
	B									EV	EV	
	A									EV	EV	
9ACP+8S		HD									HD	



PART NUMBER	ROWS	POWER				S	
		P1	P2	P3	P4	1	2
I-6600313-0	D					EV	EV
	C	VM	VM	VM	VM	EV	EV
	B					EV	EV
	A					EV	ES
4P + 8S		HD				HD	

PART NUMBER	ROWS	S	
		1	2
I-6600313-2	D	EV	EV
	C	EV	EV
	B	EV	EV
	A	EV	EV
8S		HD	

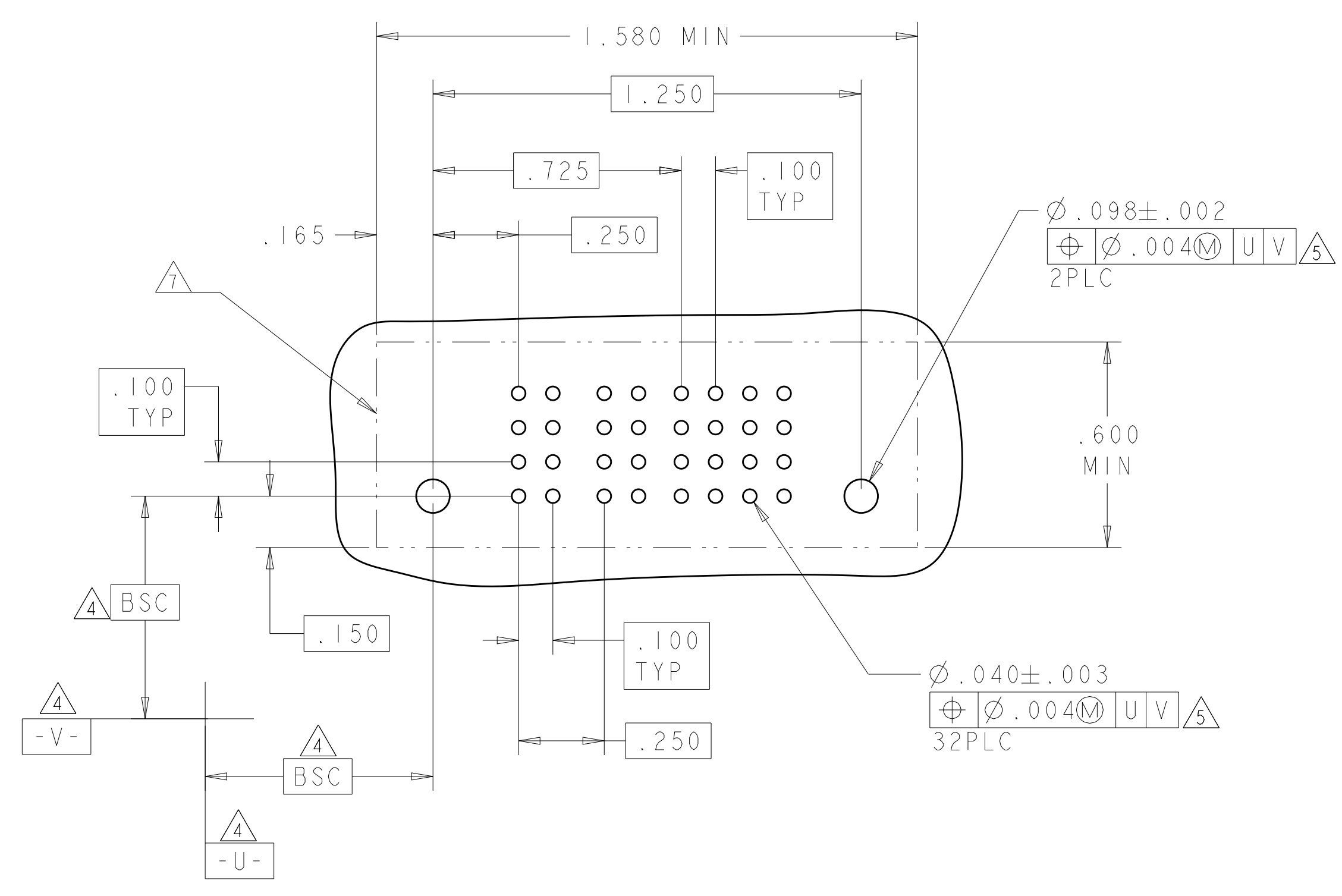
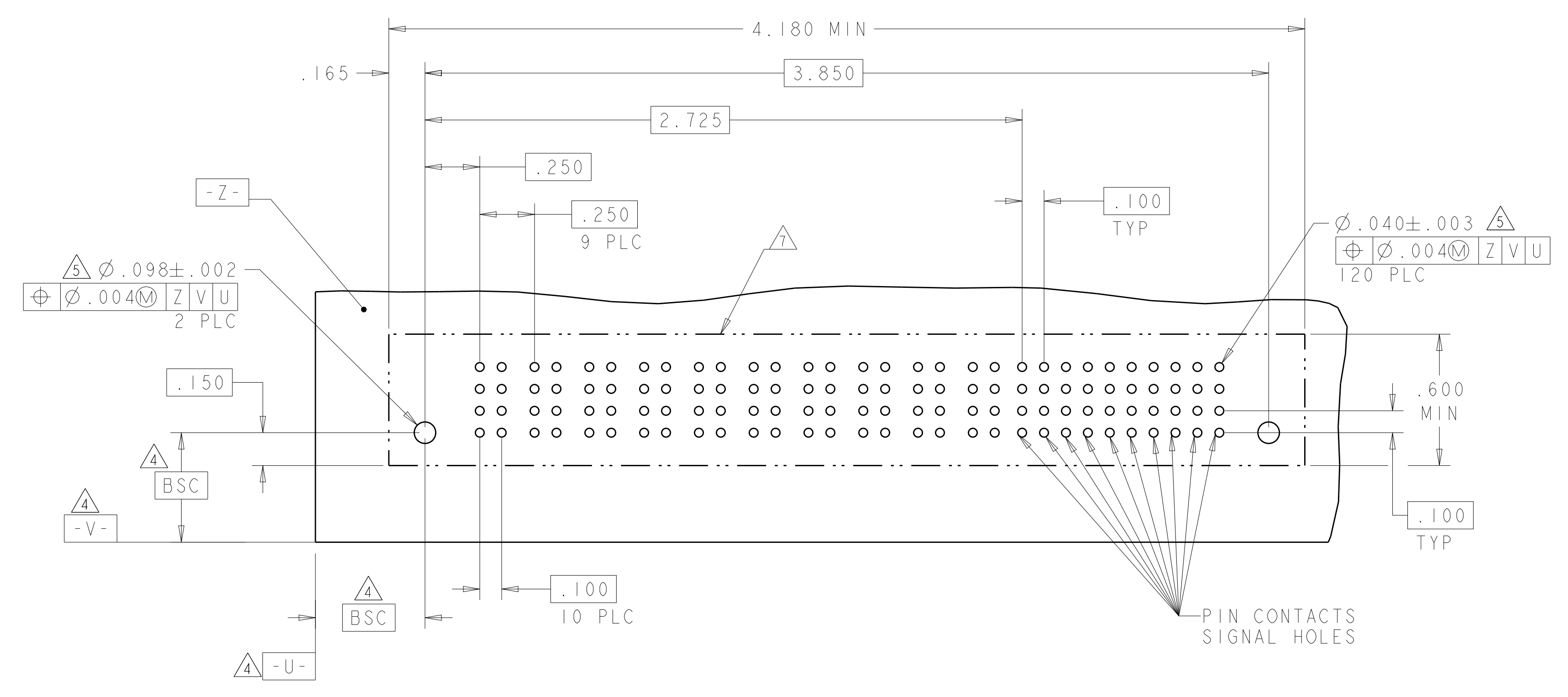
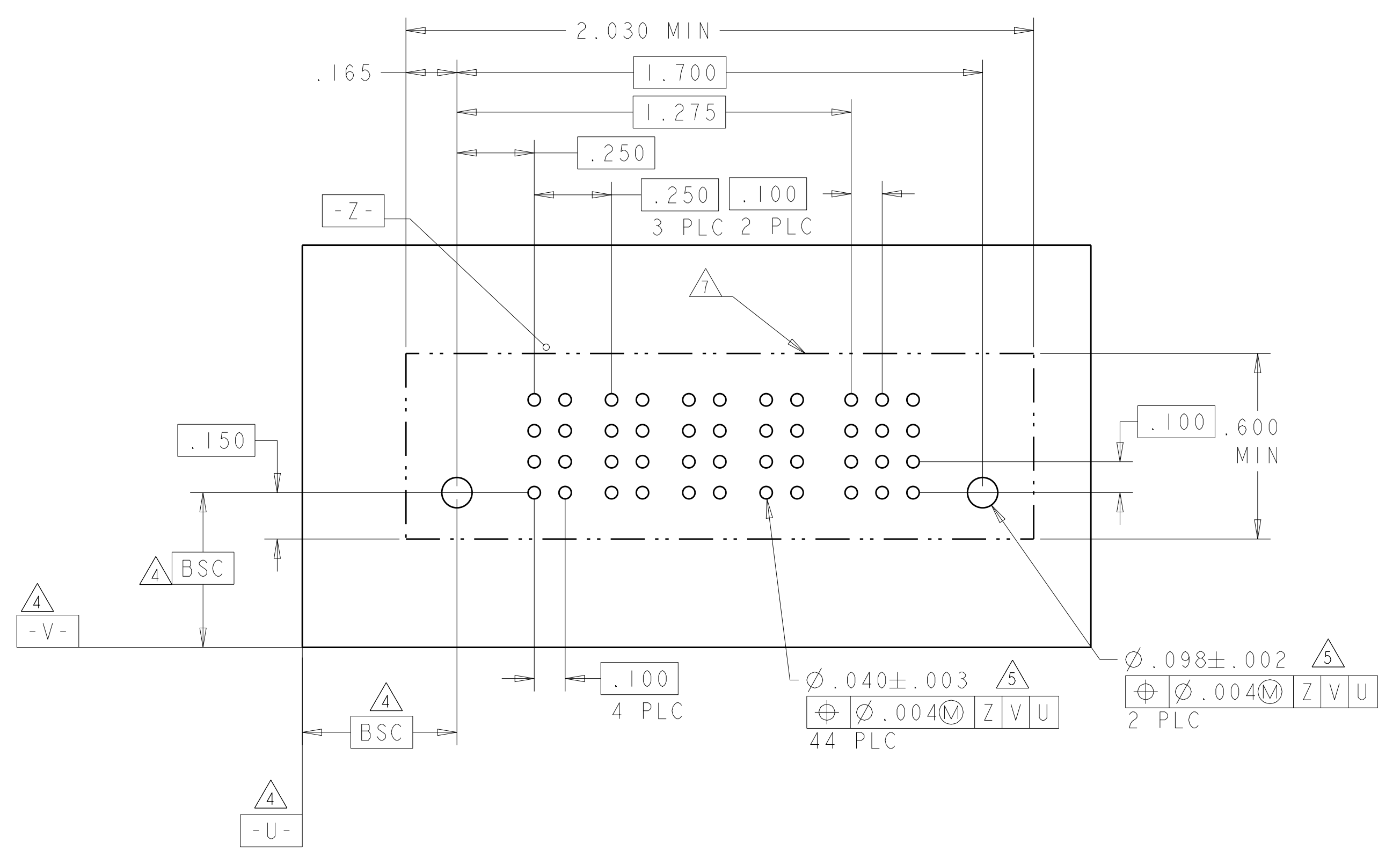


DIMENSIONS: INCH 		TOLERANCES UNLESS OTHERWISE SPECIFIED: 0 PLC ±.1 1 PLC ±.1 2 PLC ±.1 3 PLC ±.005 4 PLC ±.005 ANGLES ±.1		DWN J. McCLINTON 06OCT05 CHK D. TROUT 06OCT05 APVD P. MLYNE 06OCT05 PRODUCT SPEC 108-1973 APPLICATION SPEC 114-13038 WEIGHT CUSTOMER DRAWING		Tyco Electronics Corporation Shanghai, P.R. China. 200233 NAME VERTICAL HEADER ASSEMBLY, W/GUIDES PRESS FIT, TYPE PS MULTI-BEAM XL SIZE CAGE CODE DRAWING NO. A100779C=6600313 RESTRICTED TO	
MATERIAL		FINISH		SCALE 3:1		SHEET 3 OF 7	

LOC	DIST	REVISIONS			
		P	LTN	DATE	DMN
ES	00	-	SEE SHEET 1	-	-

PART NUMBER	ROWS	POWER				S		
		P1	P2	P3	P4	1	2	3
1-6600313-3	D	VM	VM	VM	VM	EV	EV	EV
	C					EV	EV	EV
	B					EV	EV	EV
	A					EV	EV	EV
4P + 12S		HD				HD		

PART NUMBER	ROWS	POWER										SIGNAL																													
		P1	P2	P3	P4	P5	P6	P7	P8	P9	P10	1	2	3	4	5	6	7	8	9	10																				
1-6600313-4	D	VM	VM	VM	VM	VM	VM	VM	VM	VM	VM	VM	VM	VM	VM	VM	VM	VM	VM	VM	EV	EV	EV	EV	EV	EV	EV	EV	EV	EV											
	C																				EV	EV	EV	EV	EV	EV	EV	EV	EV	EV	EV	EV	EV	EV	EV	EV	EV	EV	EV	EV	
	B																				EV	EV	EV	EV	EV	EV	EV	EV	EV	EV	EV	EV	EV	EV	EV	EV	EV	EV	EV	EV	EV
	A																				EV	EV	EV	EV	EV	EV	EV	EV	EV	EV	EV	EV	EV	EV	EV	EV	EV	EV	EV	EV	EV
10P+40S		HD										HD																													



PART NUMBER	ROWS	POWER		SIGNAL			
		P1	P2	1	2	3	4
1-6600313-5	D	VM	VM	EV	EV	EV	EV
	C			EV	EV	EV	EV
	B			EV	EV	EV	EV
	A			EV	EV	EV	EV
2P + 16S		HD		HD			

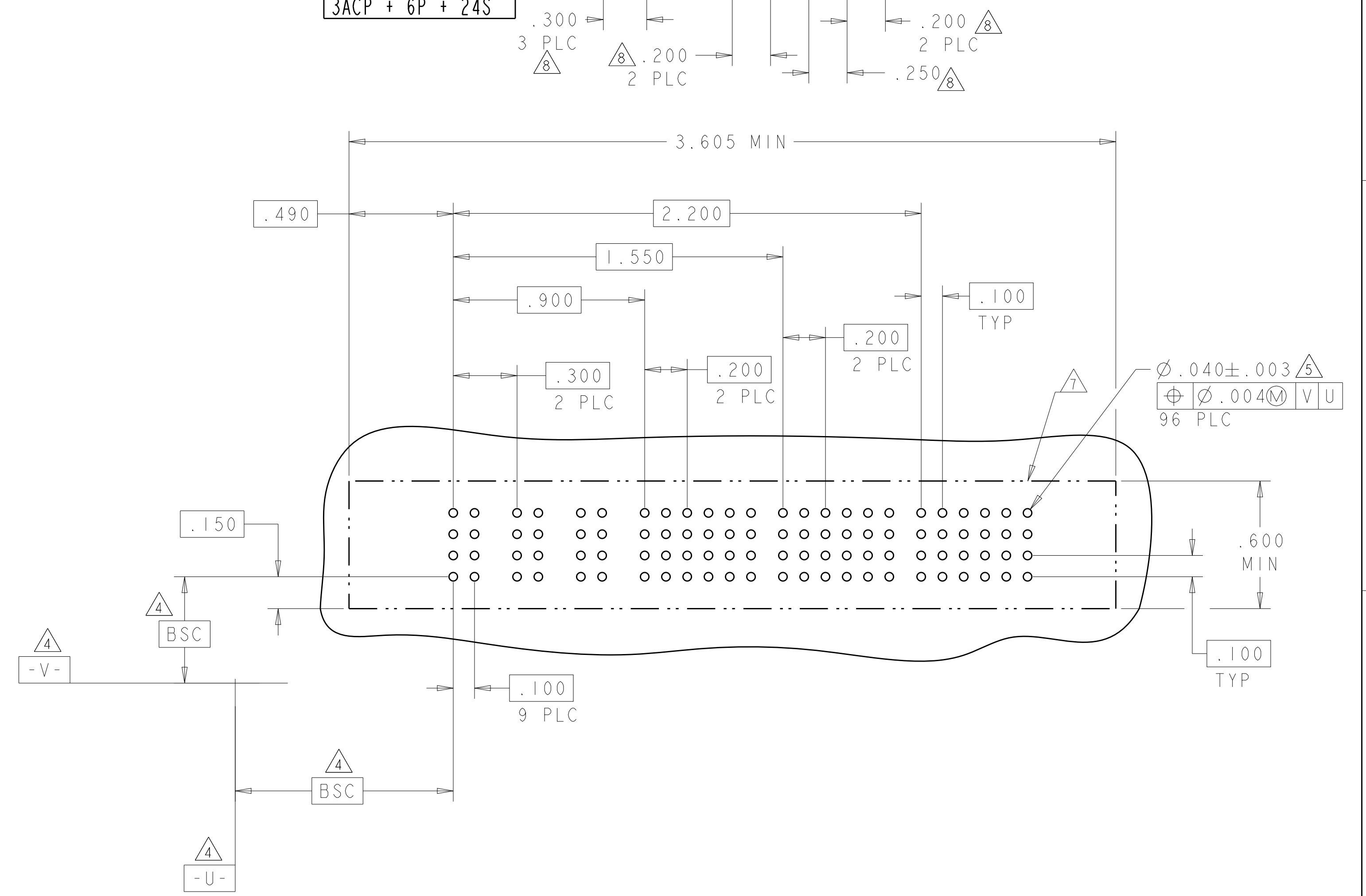
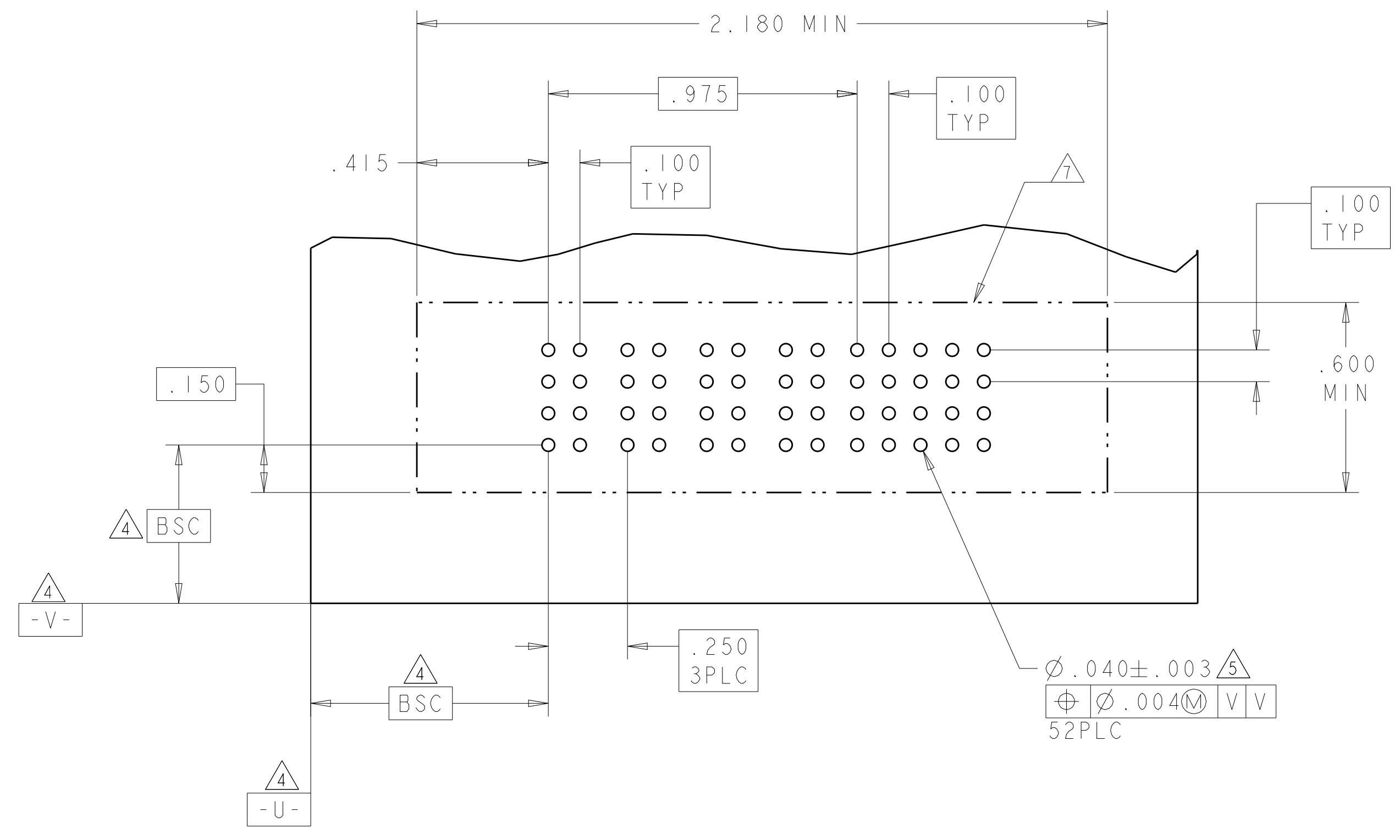
THIS DRAWING IS UNPUBLISHED. RELEASED FOR PUBLICATION. IT IS THE PROPERTY OF TYCO ELECTRONICS CORPORATION. IT IS TO BE USED ONLY FOR THE ORIGINAL AND AUTHORIZED ORGANIZATION. SHOULD BE CONTACTED FOR THE LATEST REVISION.

DIMENSIONS: INCH	0 PLC ±.1 1 PLC ±.1 2 PLC ±.1 3 PLC ±.005 4 PLC ±.1 ANGLES ±.1	TOLERANCES UNLESS OTHERWISE SPECIFIED:	DMN J. McCLINTON 06OCT05	Tyco Electronics Corporation Shanghai, P.R. China. 200233
			CHK D. TROUT 06OCT05	
MATERIAL	FINISH	WEIGHT	APVD B. WHYNE 06OCT05	NAME VERTICAL HEADER ASSEMBLY, W/GUIDES PRESS FIT, TYPE PS MULTI-BEAM XL
CUSTOMER DRAWING		SCALE 3:1	PRODUCT SPEC 108-1973	RESTRICTED TO
		SIZE	APPLICATION SPEC 114-13038	
		REVISIONS	114-13038	
		REV	A   00779   C=6600313	
		SHEET	4 OF 7	

LOC	DIST	REV	DATE	BY	APPV
ES	00				
REVISIONS			DESCRIPTION	DATE	BY
			SEE SHEET 1		

PART NUMBER	ROWS	POWER				S				
		P1	P2	P3	P4	1	2	3	4	5
I-6600313-6	D	VM	VM	VM	VM	EV	EV	EV	EV	EV
	C					EV	EV	EV	EV	EV
	B					EV	EV	EV	EV	EV
	A					EV	EV	EV	EV	EV
4P + 20S										

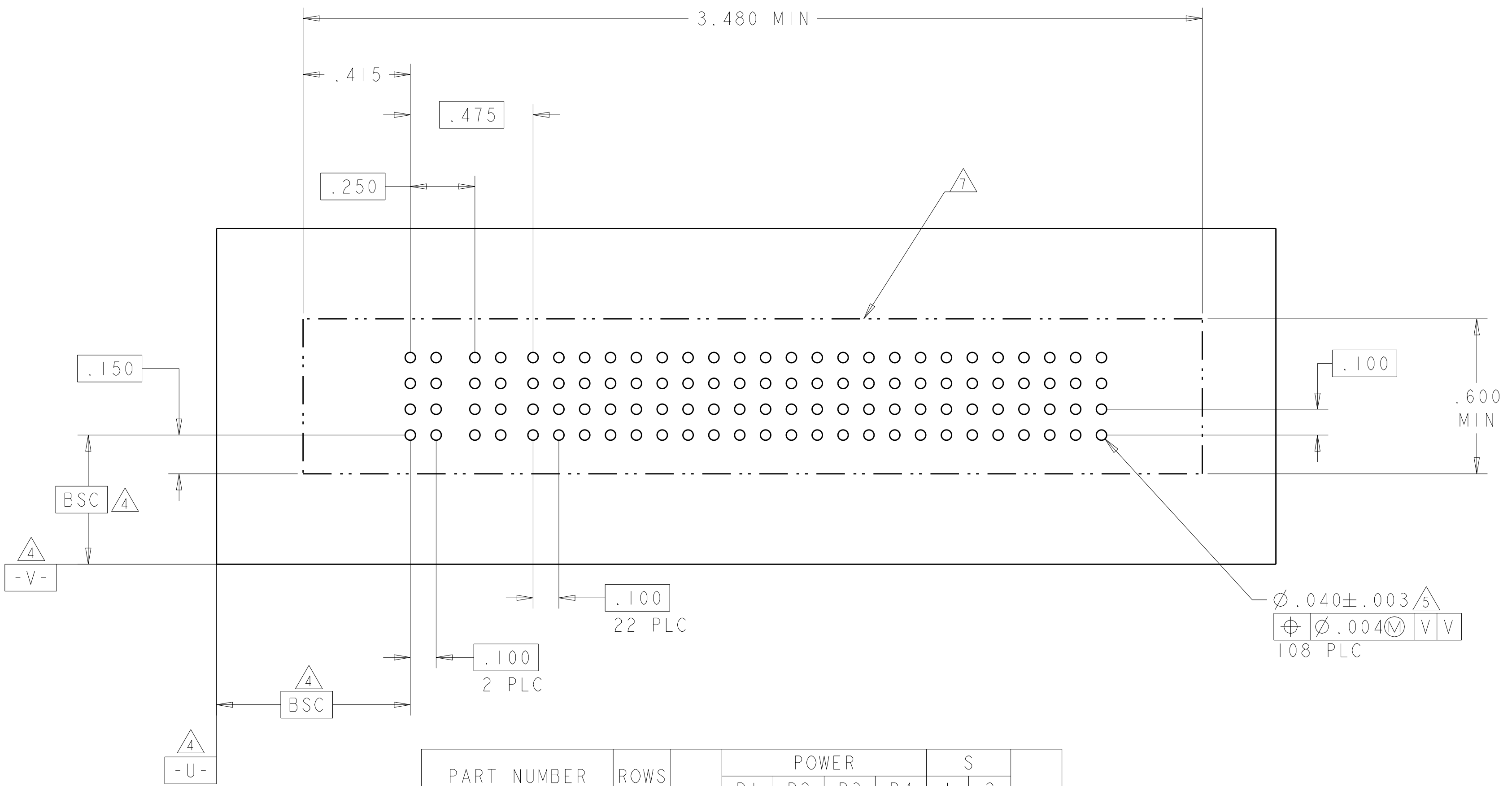
PART NUMBER	ROWS	POWER								SIGNAL						
		P1	P2	P3	P4	P5	P6	P7	P8	P9	1	2	3	4	5	6
I-6600313-7	D	VM	VM	VM	VM	VM	VM	VM	VM	VM	EV	ES	EV	EV	EV	ES
	C										EV	EV	EV	EV	ES	ES
	B										EV	EV	EV	EV	ES	ES
	A										EV	EV	EV	EV	ES	EV
3ACP + 6P + 24S																



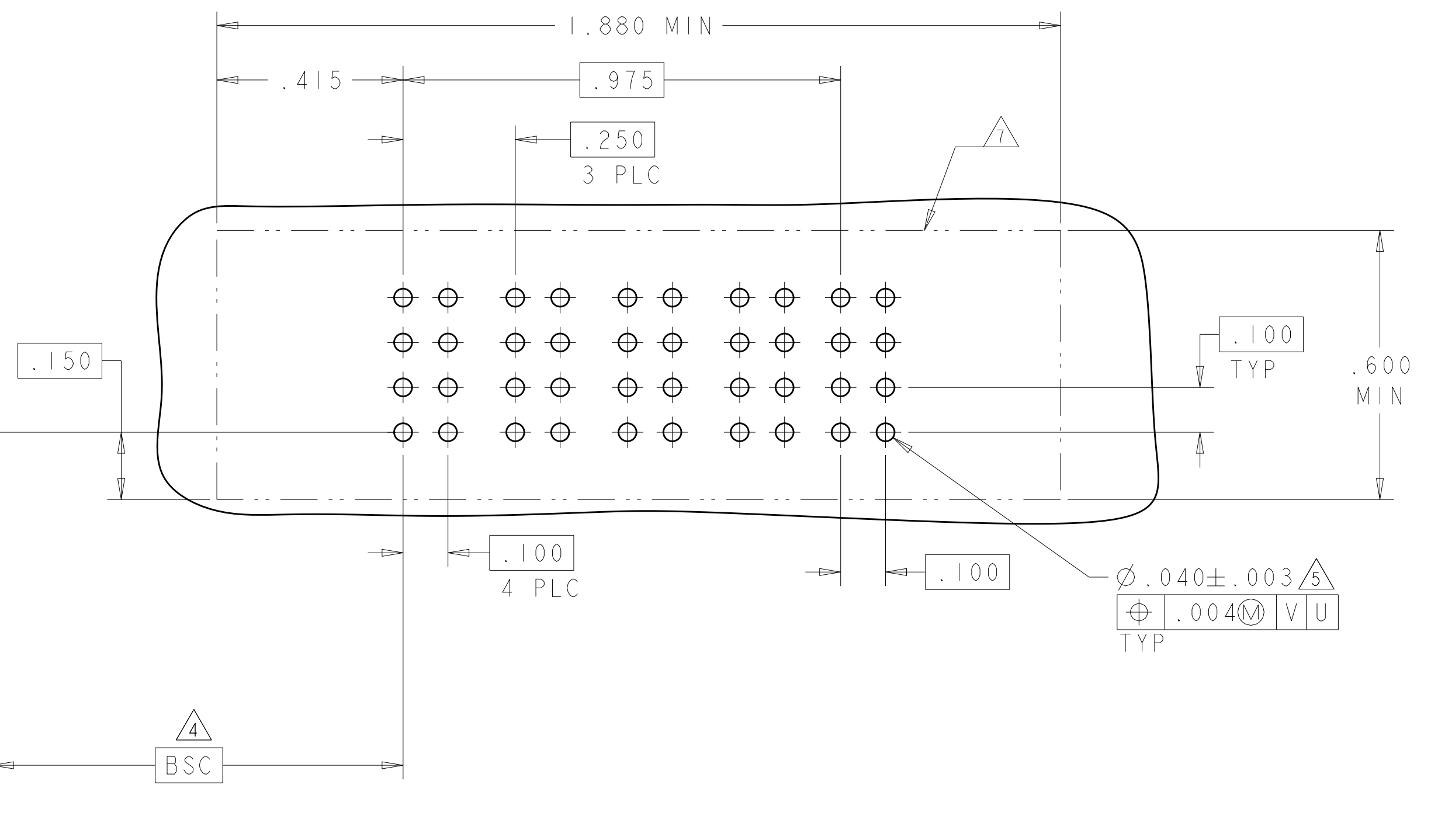
<small>THIS DRAWING IS UNPUBLISHED. RELEASED FOR PUBLICATION BY TYCO ELECTRONICS CORPORATION. ALL RIGHTS RESERVED.</small>		DWN J. McCLINTON 06OCT05 CHK D. TROUT 06OCT05 APVD B. WHYNE 06OCT05	Tyco Electronics Corporation Shanghai, P.R. China. 200233
DIMENSIONS: INCH 		TOLERANCES UNLESS OTHERWISE SPECIFIED: 0 PLC ±. 1 PLC ±0.1 2 PLC ±. 3 PLC ±0.005 4 PLC ±. ANGLES ±.	NAME VERTICAL HEADER ASSEMBLY, W/GUIDES PRESS FIT, TYPE PS MULTI-BEAM XL PRODUCT SPEC 108-1973 APPLICATION SPEC 114-13038 WEIGHT CUSTOMER DRAWING
MATERIAL FINISH		SIZE CAGE CODE DRAWING NO A1100779C=6600313	RESTRICTED TO SCALE 3:1 SHEET 5 OF 7 REV G1

LOC		DIST		REVISIONS			
ES	00	P	LTH	DESCRIPTION	DATE	DMN	APVD
		-		SEE SHEET 1			

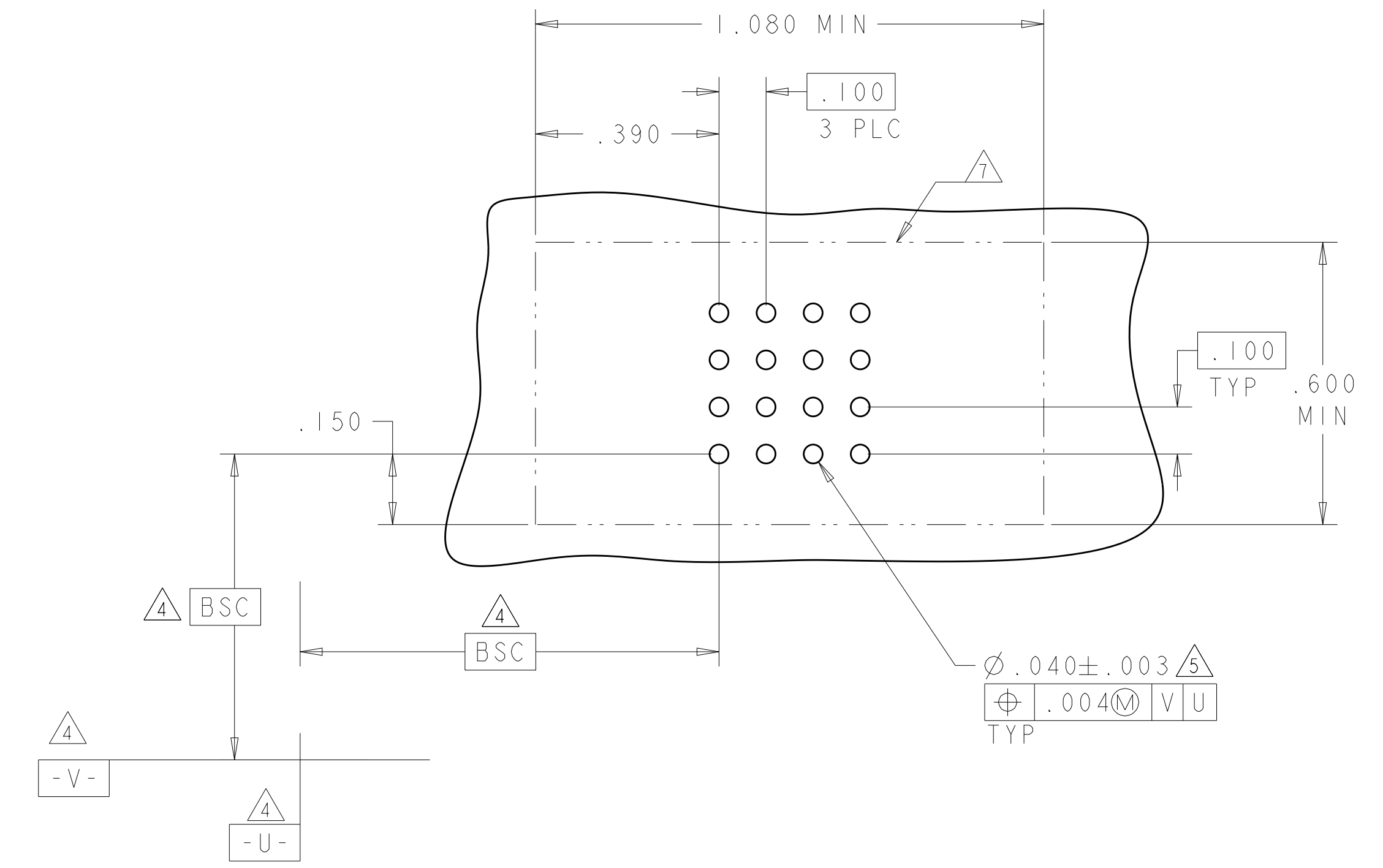
PART NUMBER	ROWS	POWER		SIGNAL																									
		P1	P2	1	2	3	4	5	6	7	8	9	10	11	12	13	14	15	16	17	18	19	20	21	22	23			
1-6600313-8	D	VM	VM	EV	EV	EV	EV	EV	EV	EV	EV	EV	EV	EV	EV	EV	EV	EV	EV	EV	EV	EV	EV	EV	EV	EV	EV		
	C			EV	EV	EV	EV	EV	EV	EV	EV	EV	EV	EV	EV	EV	EV	EV	EV	EV	EV	EV	EV	EV	EV	EV	EV	EV	
	B			EV	EV	EV	EV	EV	EV	EV	EV	EV	EV	EV	EV	EV	EV	EV	EV	EV	EV	EV	EV	EV	EV	EV	EV	EV	EV
	A			EV	EV	EV	EV	EV	EV	EV	EV	EV	EV	EV	EV	EV	EV	EV	EV	EV	EV	EV	EV	EV	EV	EV	EV	EV	EV
2P + 92S																													



PART NUMBER	ROWS	POWER				S	
		P1	P2	P3	P4	1	2
1-6600313-9	D	VM	VM	VM	VM	EV	EV
	C					EV	EV
	B					EV	EV
	A					EV	EV
4P + 8S							



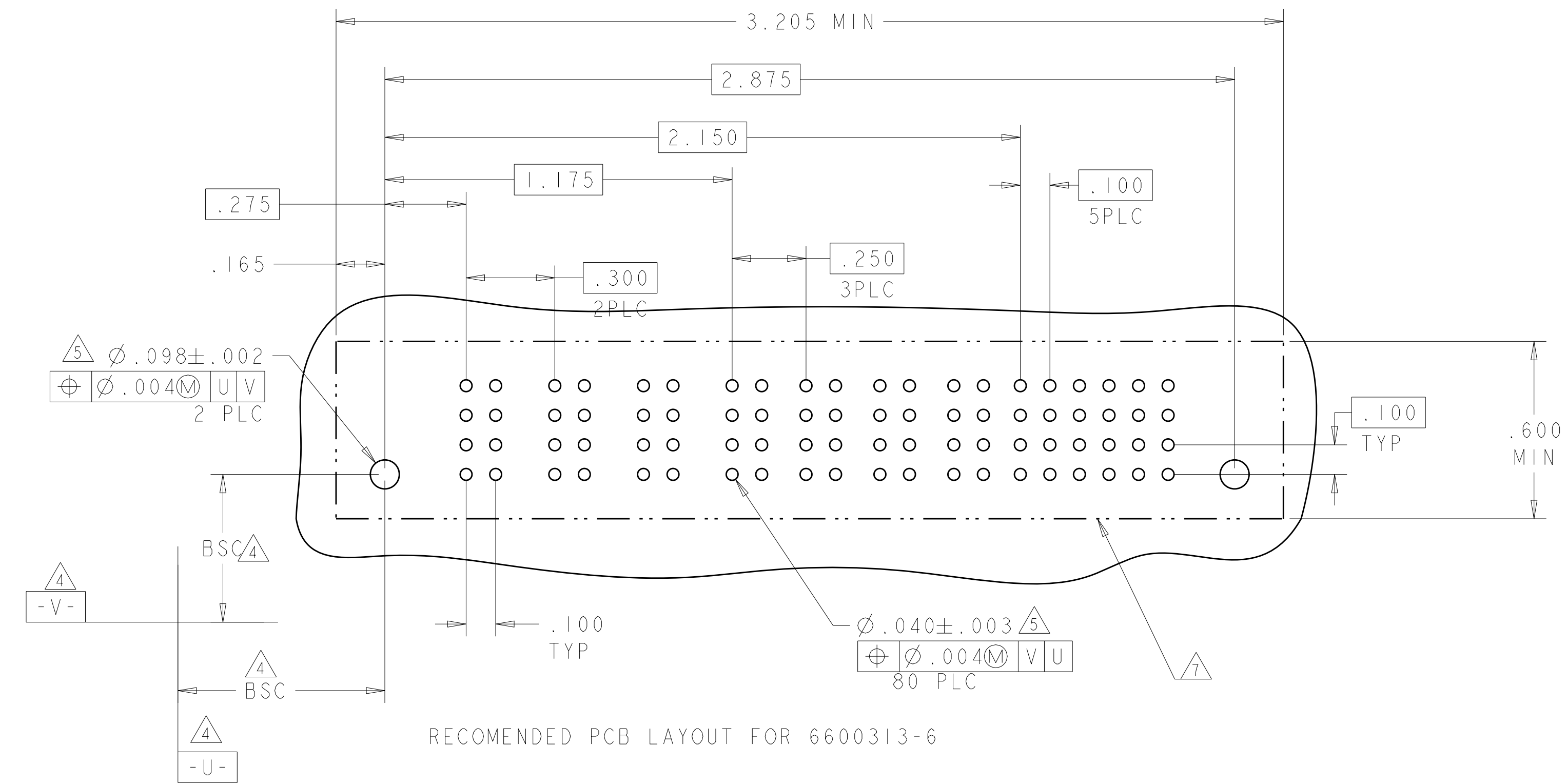
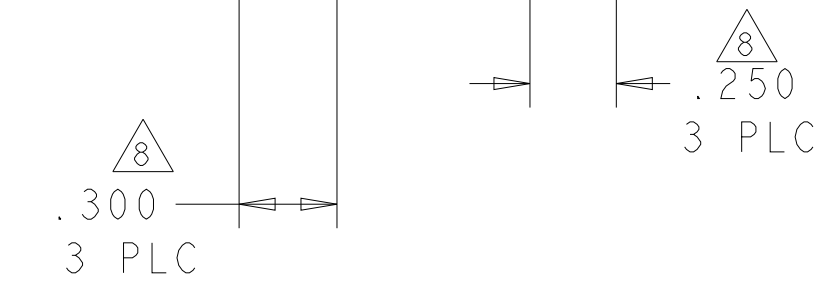
PART NUMBER	ROWS	S			
		1	2	3	4
2-6600313-0	D	ES	EV	ES	ES
	C	ES	EV	ES	ES
	B	ES	EV	ES	ES
	A	ES	EV	ES	ES
16S					



<small>THIS DRAWING IS UNPUBLISHED. RELEASED FOR PUBLICATION BY TYCO ELECTRONICS CORPORATION. ALL RIGHTS RESERVED.</small>		DMN J. McCLINTON 06OCT05 CHK D. TROUT 06OCT05 APVD B. WHYNE 06OCT05	Tyco Electronics Corporation Shanghai, P.R. China. 200233
DIMENSIONS: INCH 	TOLERANCES UNLESS OTHERWISE SPECIFIED: 0 PLC ±.1 1 PLC ±.1 2 PLC ±.05 3 PLC ±.05 4 PLC ±.05 ANGLES ±.1	NAME VERTICAL HEADER ASSEMBLY, W/GUIDES PRESS FIT, TYPE PS MULTI-BEAM XL PRODUCT SPEC 108-1973 APPLICATION SPEC 114-13038 WEIGHT MATERIAL FINISH	SIZE CAGE CODE DRAWING NO. RESTRICTED TO A100779C=6600313 CUSTOMER DRAWING SCALE 3:1 SHEET 6 OF 7 REV G1

LOC		DIST		REVISIONS			
ES	00	P	LTH	DESCRIPTION	DATE	DWN	APVD
		-		SEE SHEET 1	-	-	-

PART NUMBER	ROWS	POWER						SIGNAL						
		P1	P2	P3	P4	P5	P6	P7	1	2	3	4	5	6
6600313-6	D C B A	VM	VM	VM	VM	VM	VM	EV	ES	EV	EV	EV	ES	
								EV	EV	EV	ES	EV	ES	
								EV	ES	EV	EV	EV	ES	
3ACP + 4P + 24S		(HD)												(HD)



<small>THIS DRAWING IS UNPUBLISHED. RELEASED FOR PUBLICATION. IT IS THE PROPERTY OF TYCO ELECTRONICS CORPORATION. IT IS TO BE USED ONLY FOR THE PURPOSES AND IN THE MANNER SPECIFIED BY THE DRAWING. IT IS TO BE RETURNED TO TYCO ELECTRONICS CORPORATION UPON REQUEST.</small>		DWN J. McCLINTON	06OCT05	Tyco Electronics Corporation Shanghai, P.R. China. 200233
<small>TOLERANCES UNLESS OTHERWISE SPECIFIED:</small>		CHK D. TROUT	06OCT05	
<small>DIMENSIONS:</small> INCH		APVD B. WHYNE	06OCT05	NAME VERTICAL HEADER ASSEMBLY, W/GUIDES PRESS FIT, TYPE PS MULTI-BEAM XL
<small>TOLERANCES UNLESS OTHERWISE SPECIFIED:</small> 0 PLC ± 1 PLC ±0.1 2 PLC ± 3 PLC ±0.005 4 PLC ± ANGLES ± FINISH		PRODUCT SPEC 108-1973		SIZE 114-13038
MATERIAL		APPLICATION SPEC 114-13038		RESTRICTED TO
WEIGHT		WEIGHT		
CUSTOMER DRAWING		SCALE 3:1	SHEET 7 OF 7	REV G1



Компания «ЭлектроПласт» предлагает заключение долгосрочных отношений при поставках импортных электронных компонентов на взаимовыгодных условиях!

Наши преимущества:

- Оперативные поставки широкого спектра электронных компонентов отечественного и импортного производства напрямую от производителей и с крупнейших мировых складов;
- Поставка более 17-ти миллионов наименований электронных компонентов;
- Поставка сложных, дефицитных, либо снятых с производства позиций;
- Оперативные сроки поставки под заказ (от 5 рабочих дней);
- Экспресс доставка в любую точку России;
- Техническая поддержка проекта, помощь в подборе аналогов, поставка прототипов;
- Система менеджмента качества сертифицирована по Международному стандарту ISO 9001;
- Лицензия ФСБ на осуществление работ с использованием сведений, составляющих государственную тайну;
- Поставка специализированных компонентов (Xilinx, Altera, Analog Devices, Intersil, Interpoint, Microsemi, Aeroflex, Peregrine, Syfer, Eurofarad, Texas Instrument, Miteq, Cobham, E2V, MA-COM, Hittite, Mini-Circuits, General Dynamics и др.);

Помимо этого, одним из направлений компании «ЭлектроПласт» является направление «Источники питания». Мы предлагаем Вам помощь Конструкторского отдела:

- Подбор оптимального решения, техническое обоснование при выборе компонента;
- Подбор аналогов;
- Консультации по применению компонента;
- Поставка образцов и прототипов;
- Техническая поддержка проекта;
- Защита от снятия компонента с производства.



#### Как с нами связаться

**Телефон:** 8 (812) 309 58 32 (многоканальный)

**Факс:** 8 (812) 320-02-42

**Электронная почта:** [org@eplast1.ru](mailto:org@eplast1.ru)

**Адрес:** 198099, г. Санкт-Петербург, ул. Калинина, дом 2, корпус 4, литера А.