

### GENERAL DESCRIPTION

The DS1338 serial real-time clock (RTC) is a low-power, full binary-coded decimal (BCD) clock/calendar plus 56 bytes of NV SRAM. Address and data are transferred serially through an I<sup>2</sup>C interface. The clock/calendar provides seconds, minutes, hours, day, date, month, and year information. The end of the month date is automatically adjusted for months with fewer than 31 days, including corrections for leap year. The clock operates in either the 24-hour or 12-hour format with AM/PM indicator. The DS1338 has a built-in power-sense circuit that detects power failures and automatically switches to the backup supply, maintaining time and date operation

### APPLICATIONS

Handhelds (GPS, POS Terminal)  
 Consumer Electronics (Set-Top Box, Digital Recording, Network Appliance)  
 Office Equipment (Fax/Printer, Copier)  
 Medical (Glucometer, Medicine Dispenser)  
 Telecommunications (Router, Switcher, Server)  
 Other (Utility Meter, Vending Machine, Thermostat, Modem)

*UL is a registered trademark of Underwriters Laboratories Inc.*

### TYPICAL OPERATING CIRCUIT



*Pin Configurations appear at end of data sheet.*

### BENEFITS AND FEATURES

- **Completely Manages All Timekeeping Functions**
  - **RTC Counts Seconds, Minutes, Hours, Date of the Month, Month, Day of the Week, and Year with Leap-Year Compensation Valid Up to 2100**
  - **56-Byte, Battery-Backed, General-Purpose RAM with Unlimited Writes**
  - **Programmable Square-Wave Output Signal**
- **Surface-Mount Package with an Integrated Crystal (DS1338C) Saves Additional Space and Simplifies Design**
- **Interfaces with Most Microcontrollers**
  - **I<sup>2</sup>C Serial Interface**
- **Low-Power Operation Extends Battery Backup Run Time**
  - **Automatic Power-Fail Detect and Switch Circuitry**
- **-40°C to +85°C Industrial Temperature Range Supports Operation in a Wide Range of Applications**
- **Underwriters Laboratories (UL®) Recognized**

### ORDERING INFORMATION

| PART        | TEMP RANGE     | PIN-PACKAGE    | TOP MARK†     |
|-------------|----------------|----------------|---------------|
| DS1338Z-18+ | -40°C to +85°C | 8 SO (0.150")  | DS1338-18     |
| DS1338Z-3+  | -40°C to +85°C | 8 SO (0.150")  | DS1338-3      |
| DS1338Z-33+ | -40°C to +85°C | 8 SO (0.150")  | DS133833      |
| DS1338U-18+ | -40°C to +85°C | 8 μSOP         | 1338<br>rr-18 |
| DS1338U-3+  | -40°C to +85°C | 8 μSOP         | 1338<br>rr-3  |
| DS1338U-33+ | -40°C to +85°C | 8 μSOP         | 1338<br>rr-33 |
| DS1338C-18# | -40°C to +85°C | 16 SO (0.300") | DS1338C-18    |
| DS1338C-3#  | -40°C to +85°C | 16 SO (0.300") | DS1338C-3     |
| DS1338C-33# | -40°C to +85°C | 16 SO (0.300") | DS1338C-33    |

*rr = second line, revision level*

*+ Denotes a lead (Pb)-free/RoHS-compliant device.*

*# Denotes a RoHS-compliant device that may include lead that is exempt under the RoHS requirements. The lead finish is JESD97 category e3, and is compatible with both lead-based and lead-free soldering processes.*

*† A "+" anywhere on the top mark denotes a lead-free device. A "#" denotes a RoHS-compliant device.*

## ABSOLUTE MAXIMUM RATINGS

|  |                 |
|--|-----------------|
| Voltage Range on Any Pin Relative to Ground..... | -0.3V to +6.0V  |
| Operating Temperature Range.....                 | -40°C to +85°C  |
| Storage Temperature Range.....                   | -55°C to +125°C |
| Lead Temperature (soldering, 10s) .....          | +260°C          |
| Soldering Temperature (reflow) .....             | +260°C          |

Stresses beyond those listed under "Absolute Maximum Ratings" may cause permanent damage to the device. These are stress ratings only, and functional operation of the device at these or any other conditions beyond those indicated in the operational sections of the specifications is not implied. Exposure to the absolute maximum rating conditions for extended periods may affect device reliability.

## RECOMMENDED DC OPERATING CONDITIONS

( $V_{CC} = V_{CC(MIN)}$  to  $V_{CC(MAX)}$ ,  $T_A = -40^\circ\text{C}$  to  $+85^\circ\text{C}$ , unless otherwise noted. Typical values are at  $T_A = +25^\circ\text{C}$ , unless otherwise noted.) (Note 1)

| PARAMETER               | SYMBOL    | CONDITIONS | MIN            | TYP  | MAX             | UNITS |
|-------------------------|-----------|------------|----------------|------|-----------------|-------|
| Supply Voltage          | $V_{CC}$  | DS1338-18  | 1.71           | 1.8  | 5.5             | V     |
|                         |           | DS1338-3   | 2.7            | 3.0  | 5.5             |       |
|                         |           | DS1338-33  | 3.0            | 3.3  | 5.5             |       |
| Logic 1                 | $V_{IH}$  | (Note 2)   | 0.7 x $V_{CC}$ |      | $V_{CC} + 0.3$  | V     |
| Logic 0                 | $V_{IL}$  | (Note 2)   | -0.3           |      | +0.3 x $V_{CC}$ | V     |
| Power-Fail Voltage      | $V_{PF}$  | DS1338-18  | 1.51           | 1.62 | 1.71            | V     |
|                         |           | DS1338-3   | 2.45           | 2.59 | 2.70            |       |
|                         |           | DS1338-33  | 2.70           | 2.82 | 2.97            |       |
| $V_{BAT}$ Input Voltage | $V_{BAT}$ | (Note 2)   | 1.3            | 3.0  | 3.7             | V     |

## DC ELECTRICAL CHARACTERISTICS

( $V_{CC} = V_{CC(MIN)}$  to  $V_{CC(MAX)}$ ,  $T_A = -40^\circ\text{C}$  to  $+85^\circ\text{C}$ , unless otherwise noted. Typical values are at  $V_{CC} = \text{TYP}$ ,  $T_A = +25^\circ\text{C}$ , unless otherwise noted.) (Note 1)

| PARAMETER                                    | SYMBOL       | CONDITIONS  | MIN                     | TYP | MAX | UNITS         |     |
|--|--------------|---|-------------------------|-----|-----|---------------|-----|
| Input Leakage                                | $I_{LI}$     | (Note 3)  |                         |     | 1   | $\mu\text{A}$ |     |
| I/O Leakage                                  | $I_{LO}$     | (Note 4)  |                         |     | 1   | $\mu\text{A}$ |     |
| SDA Logic 0 Output                           | $I_{OLSDA}$  | $V_{CC} > 2\text{V}$ ; $V_{OL} = 0.4\text{V}$                           |                         |     | 3.0 | mA            |     |
|  |              | $V_{CC} < 2\text{V}$ ; $V_{OL} = 0.2 \times V_{CC}$                     |                         |     | 3.0 |               |     |
| SQW/OUT Logic 0 Output                       | $I_{OLSQW}$  | $V_{CC} > 2\text{V}$ ; $V_{OL} = 0.4\text{V}$                           |                         |     | 3.0 | mA            |     |
|  |              | $1.71\text{V} < V_{CC} < 2\text{V}$ ;<br>$V_{OL} = 0.2 \times V_{CC}$   |                         |     | 3.0 |               |     |
|  |              | $1.3\text{V} < V_{CC} < 1.71\text{V}$ ;<br>$V_{OL} = 0.2 \times V_{CC}$ |                         |     | 250 | $\mu\text{A}$ |     |
| Active Supply Current (Note 5)               | $I_{CCA}$    | DS1338-18: $V_{CC} = 1.89\text{V}$                                      |                         | 75  | 150 | $\mu\text{A}$ |     |
|  |              | DS1338-3: $V_{CC} = 3.30\text{V}$                                       |                         | 110 | 200 |               |     |
|  |              | DS1338-33   | $V_{CC} = 3.63\text{V}$ |     | 120 |               | 200 |
|  |              |   | $V_{CC} = 5.5\text{V}$  |     |     |               | 325 |
| Standby Current (Note 6)                     | $I_{CCS}$    | DS1338-18: $V_{CC} = 1.89\text{V}$                                      |                         | 60  | 100 | $\mu\text{A}$ |     |
|  |              | DS1338-3: $V_{CC} = 3.30\text{V}$                                       |                         | 80  | 125 |               |     |
|  |              | DS1338-33   | $V_{CC} = 3.63\text{V}$ |     | 85  |               | 125 |
|  |              |   | $V_{CC} = 5.5\text{V}$  |     |     |               | 200 |
| $V_{BAT}$ Leakage Current ( $V_{CC}$ Active) | $I_{BATLKG}$ |   |                         | 25  | 100 | nA            |     |

**DC ELECTRICAL CHARACTERISTICS**

( $V_{CC} = 0V$ ,  $T_A = -40^{\circ}C$  to  $+85^{\circ}C$ , unless otherwise noted. Typical values are at  $V_{BAT} = 3.0V$ ,  $T_A = +25^{\circ}C$ , unless otherwise noted.) (Note 1)

| PARAMETER  | SYMBOL        | MIN | TYP  | MAX  | UNITS |
|--|---------------|-----|------|------|-------|
| $V_{BAT}$ Current (OSC ON); $V_{BAT} = 3.7V$ , SQW/OUT OFF (Note 7)        | $I_{BATOSC1}$ |     | 800  | 1200 | nA    |
| $V_{BAT}$ Current (OSC ON); $V_{BAT} = 3.7V$ , SQW/OUT ON (32kHz) (Note 7) | $I_{BATOSC2}$ |     | 1025 | 1400 | nA    |
| $V_{BAT}$ Data-Retention Current (Osc Off); $V_{BAT} = 3.7V$ (Note 7)      | $I_{BATDAT}$  |     | 10   | 100  | nA    |

**AC ELECTRICAL CHARACTERISTICS**

( $V_{CC} = V_{CC(MIN)}$  to  $V_{CC(MAX)}$ ,  $T_A = -40^{\circ}C$  to  $+85^{\circ}C$ ) (Note 1)

| PARAMETER                                       | SYMBOL       | CONDITION     | MIN           | TYP | MAX  | UNITS   |
|---|--------------|---------------|---------------|-----|------|---------|
| SCL Clock Frequency                             | $f_{SCL}$    | Fast mode     | 100           |     | 400  | kHz     |
|   |              | Standard mode | 0             |     | 100  |         |
| Bus Free Time Between STOP and START Condition  | $t_{BUF}$    | Fast mode     | 1.3           |     |      | $\mu s$ |
|   |              | Standard mode | 4.7           |     |      |         |
| Hold Time (Repeated) START Condition (Note 8)   | $t_{HD:STA}$ | Fast mode     | 0.6           |     |      | $\mu s$ |
|   |              | Standard mode | 4.0           |     |      |         |
| LOW Period of SCL Clock                         | $t_{LOW}$    | Fast mode     | 1.3           |     |      | $\mu s$ |
|   |              | Standard mode | 4.7           |     |      |         |
| HIGH Period of SCL Clock                        | $t_{HIGH}$   | Fast mode     | 0.6           |     |      | $\mu s$ |
|   |              | Standard mode | 4.0           |     |      |         |
| Setup Time for Repeated START Condition         | $t_{SU:STA}$ | Fast mode     | 0.6           |     |      | $\mu s$ |
|   |              | Standard mode | 4.7           |     |      |         |
| Data Hold Time (Notes 9, 10)                    | $t_{HD:DAT}$ | Fast mode     | 0             |     | 0.9  | $\mu s$ |
|   |              | Standard mode | 0             |     |      |         |
| Data Setup Time (Note 11)                       | $t_{SU:DAT}$ | Fast mode     | 100           |     |      | ns      |
|   |              | Standard mode | 250           |     |      |         |
| Rise Time of Both SDA and SCL Signals (Note 12) | $t_R$        | Fast mode     | $20 + 0.1C_B$ |     | 300  | ns      |
|   |              | Standard mode | $20 + 0.1C_B$ |     | 1000 |         |
| Fall Time of Both SDA and SCL Signals (Note 12) | $t_F$        | Fast mode     | $20 + 0.1C_B$ |     | 300  | ns      |
|   |              | Standard mode | $20 + 0.1C_B$ |     | 300  |         |
| Setup Time for STOP Condition                   | $t_{SU:STO}$ | Fast mode     | 0.6           |     |      | $\mu s$ |
|   |              | Standard mode | 4.0           |     |      |         |
| Capacitive Load for Each Bus Line               | $C_B$        | (Note 12)     |               |     | 400  | pF      |
| I/O Capacitance (SDA, SCL)                      | $C_{I/O}$    | (Note 13)     |               |     | 10   | pF      |
| Oscillator Stop Flag (OSF) Delay                | $t_{OSF}$    | (Note 14)     |               | 100 |      | ms      |

## POWER-UP/POWER-DOWN CHARACTERISTICS

( $T_A = -40^\circ\text{C}$  to  $+85^\circ\text{C}$ ) (Note 1, Figure 1)

| PARAMETER   | SYMBOL            | MIN | TYP | MAX | UNITS         |
|---|-------------------|-----|-----|-----|---------------|
| Recovery at Power-Up (Note 15)  | $t_{\text{REC}}$  |     |     | 2   | ms            |
| $V_{\text{CC}}$ Fall Time; $V_{\text{PF}(\text{MAX})}$ to $V_{\text{PF}(\text{MIN})}$ | $t_{\text{VCCF}}$ | 300 |     |     | $\mu\text{s}$ |
| $V_{\text{CC}}$ Rise Time; $V_{\text{PF}(\text{MIN})}$ to $V_{\text{PF}(\text{MAX})}$ | $t_{\text{VCCR}}$ | 0   |     |     | $\mu\text{s}$ |

**Warning: Negative undershoots below -0.3V while the part is in battery-backed mode may cause loss of data.**

**Note 1:** Limits at  $-40^\circ\text{C}$  are guaranteed by design and not production tested.

**Note 2:** All voltages are referenced to ground.

**Note 3:** SCL only.

**Note 4:** SDA and SQW/OUT.

**Note 5:**  $I_{\text{CCA}}$ —SCL clocking at max frequency = 400kHz.

**Note 6:** Specified with the I<sup>2</sup>C bus inactive.

**Note 7:** Measured with a 32.768kHz crystal attached to X1 and X2.

**Note 8:** After this period, the first clock pulse is generated.

**Note 9:** A device must internally provide a hold time of at least 300ns for the SDA signal (referred to the  $V_{\text{IH}(\text{MIN})}$  of the SCL signal) to bridge the undefined region of the falling edge of SCL.

**Note 10:** The maximum  $t_{\text{HD:DAT}}$  need only be met if the device does not stretch the LOW period ( $t_{\text{LOW}}$ ) of the SCL signal.

**Note 11:** A fast-mode device can be used in a standard-mode system, but the requirement  $t_{\text{SU:DAT}} \geq 250\text{ns}$  must then be met. This is automatically the case if the device does not stretch the LOW period of the SCL signal. If such a device does stretch the LOW period of the SCL signal, it must output the next data bit to the SDA line  $t_{\text{R}(\text{MAX})} + t_{\text{SU:DAT}} = 1000 + 250 = 1250\text{ns}$  before the SCL line is released.

**Note 12:**  $C_{\text{B}}$ —total capacitance of one bus line in pF.

**Note 13:** Guaranteed by design. Not production tested.

**Note 14:** The parameter  $t_{\text{OSF}}$  is the time period the oscillator must be stopped for the OSF flag to be set over the voltage range of  $0.0\text{V} \leq V_{\text{CC}} \leq V_{\text{CC}(\text{MAX})}$  and  $1.3\text{V} \leq V_{\text{BAT}} \leq 3.7\text{V}$ .

**Note 15:** This delay applies only if the oscillator is enabled and running. If the oscillator is disabled or stopped, no power-up delay occurs.

**Figure 1. Power-Up/Power-Down Timing**



Figure 2. Timing Diagram

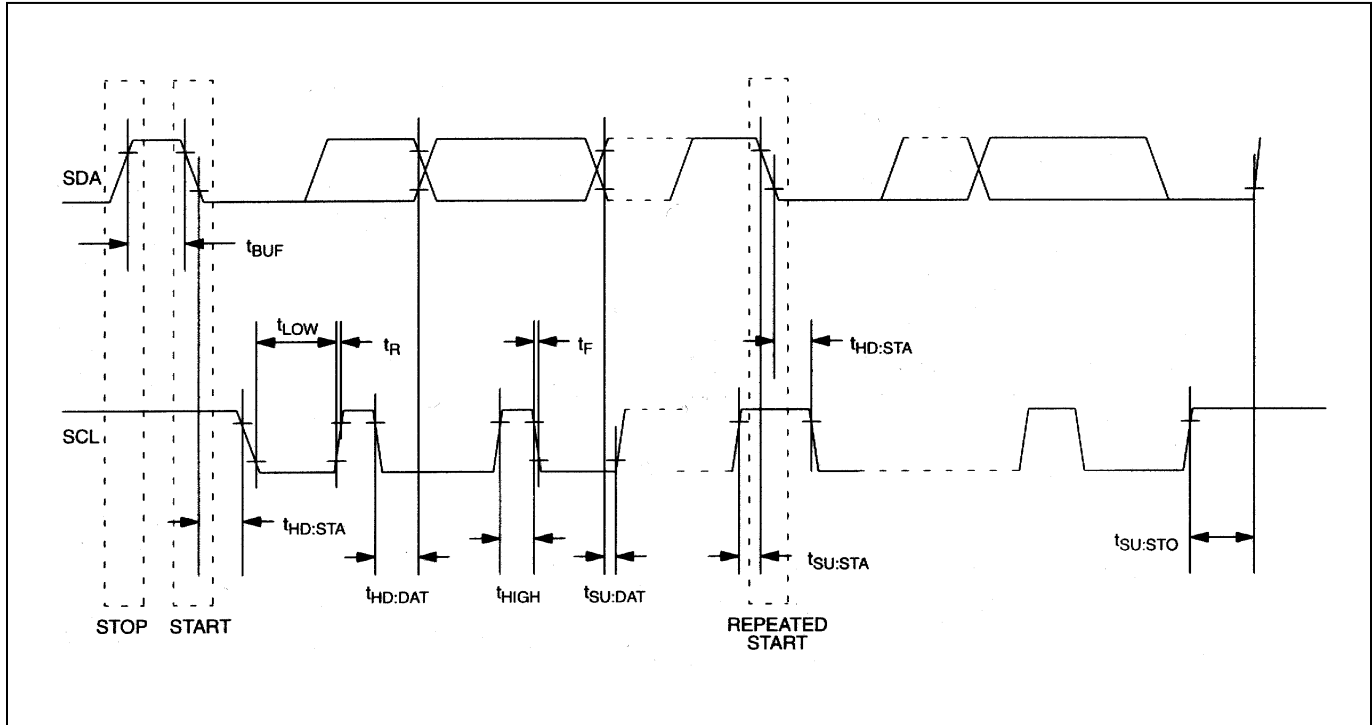


Figure 3. Block Diagram



TYPICAL OPERATING CHARACTERISTICS



## PIN DESCRIPTION

| PIN |      | NAME      | FUNCTION  |
|-----|------|-----------|---|
| 8   | 16   |           |   |
| 1   | —    | X1        | 32.768kHz Crystal Connections. The internal oscillator circuitry is designed for operation with a crystal having a specified load capacitance ( $C_L$ ) of 12.5pF. An external 32.768kHz oscillator can also drive the DS1338. In this configuration, the X1 pin is connected to the external oscillator signal and the X2 pin is left unconnected.   |
| 2   | —    | X2        | <b>Note:</b> For more information about crystal selection and crystal layout considerations, refer to Application Note 58: Crystal Considerations with Dallas Real-Time Clocks.   |
| 3   | 14   | $V_{BAT}$ | Backup Supply Input for Lithium Cell or Other Energy Source. Battery voltage must be held between the minimum and maximum limits for proper operation. Diodes placed in series between the backup source and the $V_{BAT}$ pin may prevent proper operation. If a backup supply is not required, $V_{BAT}$ must be grounded. UL recognized to ensure against reverse charging when used with a lithium cell. For more information, visit <a href="http://www.maxim-ic.com/qa/info/ul">www.maxim-ic.com/qa/info/ul</a> . |
| 4   | 15   | GND       | Ground. DC power is provided to the device on these pins. $V_{CC}$ is the primary power input. When voltage is applied within normal limits, the device is fully accessible and data can be written and read. When a backup supply is connected to the device and $V_{CC}$ is below $V_{PF}$ , reads and writes are inhibited. However, the timekeeping function continues unaffected by the lower input voltage.   |
| 5   | 16   | SDA       | Serial Data. Input/output pin for the I <sup>2</sup> C serial interface. It is an open drain output and requires an external pullup resistor. The pull up voltage may be up to 5.5V regardless of the voltage on $V_{CC}$ .   |
| 6   | 1    | SCL       | Serial Clock. Input pin for the I <sup>2</sup> C serial interface. Used to synchronize data movement on the serial interface. The pull up voltage may be up to 5.5V regardless of the voltage on $V_{CC}$ .   |
| 7   | 2    | SQW/OUT   | Square-Wave/Output Driver. When enabled and the SQWE bit set to 1, the SQW/OUT pin outputs one of four square-wave frequencies (1Hz, 4kHz, 8kHz, 32kHz). It is an open drain output and requires an external pullup resistor. Operates with either $V_{CC}$ or $V_{BAT}$ applied. The pull up voltage may be up to 5.5V regardless of the voltage on $V_{CC}$ . If not used, this pin may be left unconnected.  |
| 8   | 3    | $V_{CC}$  | Primary Power Supply. When voltage is applied within normal limits, the device is fully accessible and data can be written and read. When a backup supply is connected to the device and $V_{CC}$ is below $V_{PF}$ , reads and writes are inhibited. The backup supply maintains the timekeeping function while $V_{CC}$ is absent.  |
| —   | 4–13 | N.C.      | No Connection. These pins are not connected internally, but must be grounded for proper operation.  |

## DETAILED DESCRIPTION

The DS1338 serial RTC is a low-power, full BCD clock/calendar plus 56 bytes of NV SRAM. Address and data are transferred serially through an I<sup>2</sup>C interface. The clock/calendar provides seconds, minutes, hours, day, date, month, and year information. The end of the month date is automatically adjusted for months with fewer than 31 days, including corrections for leap year. The clock operates in either the 24-hour or 12-hour format with AM/PM indicator. The DS1338 has a built-in power-sense circuit that detects power failures and automatically switches to the  $V_{BAT}$  supply.

## OPERATION

The DS1338 operates as a slave device on the serial bus. Access is obtained by implementing a START condition and providing a device identification code, followed by data. Subsequent registers can be accessed sequentially until a STOP condition is executed. The device is fully accessible and data can be written and read when  $V_{CC}$  is greater than  $V_{PF}$ . However, when  $V_{CC}$  falls below  $V_{PF}$ , the internal clock registers are blocked from any access. If  $V_{PF}$  is less than  $V_{BAT}$ , the device power is switched from  $V_{CC}$  to  $V_{BAT}$  when  $V_{CC}$  drops below  $V_{PF}$ . If  $V_{PF}$  is greater than  $V_{BAT}$ , the device power is switched from  $V_{CC}$  to  $V_{BAT}$  when  $V_{CC}$  drops below  $V_{BAT}$ . The oscillator and timekeeping functions are maintained from the  $V_{BAT}$  source until  $V_{CC}$  is returned to nominal levels. The block diagram (Figure 3) shows the main elements of the DS1338.

An enable bit in the seconds register controls the oscillator. Oscillator startup times are highly dependent upon crystal characteristics, PC board leakage, and layout. High ESR and excessive capacitive loads are the major contributors to long start-up times. A circuit using a crystal with the recommended characteristics and proper layout usually starts within 1 second.

## POWER CONTROL

The power-control function is provided by a precise, temperature-compensated voltage reference and a comparator circuit that monitors the  $V_{CC}$  level. The device is fully accessible and data can be written and read when  $V_{CC}$  is greater than  $V_{PF}$ . However, when  $V_{CC}$  falls below  $V_{PF}$ , the internal clock registers are blocked from any access. If  $V_{PF}$  is less than  $V_{BAT}$ , the device power is switched from  $V_{CC}$  to  $V_{BAT}$  when  $V_{CC}$  drops below  $V_{PF}$ . If  $V_{PF}$  is greater than  $V_{BAT}$ , the device power is switched from  $V_{CC}$  to  $V_{BAT}$  when  $V_{CC}$  drops below  $V_{BAT}$ . The registers are maintained from the  $V_{BAT}$  source until  $V_{CC}$  is returned to nominal levels (Table 1). After  $V_{CC}$  returns above  $V_{PF}$ , read and write access is allowed after  $t_{REC}$  (Figure 1). On the first application of power to the device the time and date registers are reset to 01/01/00 01 00:00:00 (DD/MM/YY DOW HH:MM:SS). The CH bit in the seconds register will be set to a 0.

**Table 1. Power Control**

| SUPPLY CONDITION                    | READ/WRITE ACCESS | POWERED BY |
|-------------------------------------|-------------------|------------|
| $V_{CC} < V_{PF}, V_{CC} < V_{BAT}$ | No                | $V_{BAT}$  |
| $V_{CC} < V_{PF}, V_{CC} > V_{BAT}$ | No                | $V_{CC}$   |
| $V_{CC} > V_{PF}, V_{CC} < V_{BAT}$ | Yes               | $V_{CC}$   |
| $V_{CC} > V_{PF}, V_{CC} > V_{BAT}$ | Yes               | $V_{CC}$   |

## OSCILLATOR CIRCUIT

The DS1338 uses an external 32.768kHz crystal. The oscillator circuit does not require any external resistors or capacitors to operate. Table 2 specifies several crystal parameters for the external crystal. Figure 3 shows a functional schematic of the oscillator circuit. The startup time is usually less than 1 second when using a crystal with the specified characteristics.

**Table 2. Crystal Specifications\***

| PARAMETER         | SYMBOL | MIN | TYP    | MAX | UNITS     |
|-------------------|--------|-----|--------|-----|-----------|
| Nominal Frequency | $f_o$  |     | 32.768 |     | kHz       |
| Series Resistance | ESR    |     |        | 50  | $k\Omega$ |
| Load Capacitance  | $C_L$  |     | 12.5   |     | pF        |

\*The crystal, traces, and crystal input pins should be isolated from RF generating signals. Refer to Application Note 58: Crystal Considerations for Dallas Real-Time Clocks for additional specifications.



## CLOCK ACCURACY

The accuracy of the clock is dependent upon the accuracy of the crystal and the accuracy of the match between the capacitive load of the oscillator circuit and the capacitive load for which the crystal was trimmed. Crystal frequency drift caused by temperature shifts creates additional error. External circuit noise coupled into the oscillator circuit can result in the clock running fast. Figure 4 shows a typical PC board layout for isolating the crystal and oscillator from noise. Refer to *Application Note 58: Crystal Considerations with Dallas Real-Time Clocks* for detailed information.

### DS1338C ONLY

The DS1338C integrates a standard 32,768Hz crystal in the package. Typical accuracy at nominal  $V_{CC}$  and  $+25^{\circ}\text{C}$  is approximately 10ppm. Refer to *Application Note 58* for information about crystal accuracy vs. temperature.

**Figure 4. Typical PC Board Layout for Crystal**



## RTC AND RAM ADDRESS MAP

Table 3 shows the address map for the RTC and RAM registers. The RTC registers and control register are located in address locations 00h to 07h. The RAM registers are located in address locations 08h to 3Fh. During a multibyte access, when the register pointer reaches 3Fh (the end of RAM space) it wraps around to location 00h (the beginning of the clock space). On an I<sup>2</sup>C START, STOP, or register pointer incrementing to location 00h, the current time and date is transferred to a second set of registers. The time and date in the secondary registers are read in a multibyte data transfer, while the clock continues to run. This eliminates the need to re-read the registers in case of an update of the main registers during a read.

## CLOCK AND CALENDAR

The time and calendar information is obtained by reading the appropriate register bytes. See Figure 6 for the RTC registers. The time and calendar are set or initialized by writing the appropriate register bytes. The contents of the time and calendar registers are in the BCD format. Bit 7 of Register 0 is the clock halt (CH) bit. When this bit is set to 1, the oscillator is disabled. When cleared to 0, the oscillator is enabled. The clock can be halted whenever the timekeeping functions are not required, which minimizes  $V_{BAT}$  current ( $I_{BATDAT}$ ) when  $V_{CC}$  is not applied.

The day-of-week register increments at midnight. Values that correspond to the day of week are user-defined but must be sequential (i.e., if 1 equals Sunday, then 2 equals Monday, and so on). Illogical time and date entries result in undefined operation.

When reading or writing the time and date registers, secondary (user) buffers are used to prevent errors when the internal registers update. When reading the time and date registers, the user buffers are synchronized to the internal registers on any start or stop and when the register pointer rolls over to zero. The countdown chain is reset whenever the seconds register is written. Write transfers occur on the acknowledge from the DS1338. Once the

countdown chain is reset, to avoid rollover issues the remaining time and date registers must be written within 1 second. The 1Hz square-wave output, if enabled, transitions high 500ms after the seconds data transfer, provided the oscillator is already running.

The DS1338 runs in either 12-hour or 24-hour mode. Bit 6 of the hours register is defined as the 12-hour or 24-hour mode-select bit. When high, the 12-hour mode is selected. In the 12-hour mode, bit 5 is the  $\overline{\text{AM/PM}}$  bit, with logic high being PM. In the 24-hour mode, bit 5 is the 20-hour bit (20–23 hours). If the 12/24-hour mode select is changed, the hours register must be re-initialized to the new format.

On an I<sup>2</sup>C START, the current time is transferred to a second set of registers. The time information is read from these secondary registers, while the clock continues to run. This eliminates the need to re-read the registers in case of an update of the main registers during a read.

**Table 3. RTC and RAM Address Map**

| ADDRESS | BIT 7   | BIT 6      | BIT 5                     | BIT 4    | BIT 3   | BIT 2 | BIT 1 | BIT 0 | FUNCTION   | RANGE                   |
|---------|---------|------------|---------------------------|----------|---------|-------|-------|-------|------------|-------------------------|
| 00H     | CH      | 10 Seconds |                           |          | Seconds |       |       |       | Seconds    | 00–59                   |
| 01H     | 0       | 10 Minutes |                           |          | Minutes |       |       |       | Minutes    | 00–59                   |
| 02H     | 0       | 12/24      | $\overline{\text{AM/PM}}$ | 10 Hour  | Hour    |       |       |       | Hours      | 1–12<br>+AM/PM<br>00–23 |
|         |         |            | 20 Hour                   |          |         |       |       |       |            |                         |
| 03H     | 0       | 0          | 0                         | 0        | Day     |       |       |       | Day        | 1–7                     |
| 04H     | 0       | 0          | 10 Date                   |          | Date    |       |       |       | Date       | 01–31                   |
| 05H     | 0       | 0          | 0                         | 10 Month | Month   |       |       |       | Month      | 01–12                   |
| 06H     | 10 Year |            |                           |          | Year    |       |       |       | Year       | 00–99                   |
| 07H     | OUT     | 0          | OSF                       | SQWE     | 0       | 0     | RS1   | RS0   | Control    |                         |
| 08H–3FH |         |            |                           |          |         |       |       |       | RAM 56 x 8 | 00H–FFH                 |

**Note:** Bits listed as “0” always read as a 0.

## CONTROL REGISTER (07H)

The control register controls the operation of the SQW/OUT pin and provides oscillator status.

| Bit # | BIT 7 | BIT 6 | BIT 5 | BIT 4 | BIT 3 | BIT 2 | BIT 1 | BIT 0 |
|-------|-------|-------|-------|-------|-------|-------|-------|-------|
| Name  | OUT   | 0     | OSF   | SQWE  | 0     | 0     | RS1   | RS0   |
| POR   | 1     | 0     | 1     | 1     | 0     | 0     | 1     | 1     |

**Bit 7: Output Control (OUT).** Controls the output level of the SQW/OUT pin when the square-wave output is disabled. If SQWE = 0, the logic level on the SQW/OUT pin is 1 if OUT = 1; it is 0 if OUT = 0.

**Bit 5: Oscillator Stop Flag (OSF).** A logic 1 in this bit indicates that the oscillator has stopped or was stopped for some time period and can be used to judge the validity of the clock and calendar data. This bit is edge triggered, and is set to logic 1 when the internal circuitry senses the oscillator has transitioned from a normal run state to a STOP condition. The following are examples of conditions that may cause the OSF bit to be set:

- 1) The first time power is applied.
- 2) The voltage present on  $V_{CC}$  and  $V_{BAT}$  are insufficient to support oscillation.
- 3) The CH bit is set to 1, disabling the oscillator.
- 4) External influences on the crystal (i.e., noise, leakage, etc.).

This bit remains at logic 1 until written to logic 0. This bit can only be written to logic 0. Attempting to write OSF to logic 1 leaves the value unchanged.

**Bit 4: Square-Wave Enable (SQWE).** When set to logic 1, this bit enables the oscillator output to operate with either  $V_{CC}$  or  $V_{BAT}$  applied. The frequency of the square-wave output depends upon the value of the RS0 and RS1 bits.

**Bits 1 and 0: Rate Select (RS1 and RS0).** These bits control the frequency of the square-wave output when the square-wave output has been enabled. The table below lists the square-wave frequencies that can be selected with the RS bits.

### Square-Wave Output

| OUT | RS1 | RS0 | SQW OUTPUT | SQWE |
|-----|-----|-----|------------|------|
| X   | 0   | 0   | 1Hz        | 1    |
| X   | 0   | 1   | 4.096kHz   | 1    |
| X   | 1   | 0   | 8.192kHz   | 1    |
| X   | 1   | 1   | 32.768kHz  | 1    |
| 0   | X   | X   | 0          | 0    |
| 1   | X   | X   | 1          | 0    |

## I<sup>2</sup>C SERIAL DATA BUS

The DS1338 supports the I<sup>2</sup>C protocol. A device that sends data onto the bus is defined as a transmitter and a device receiving data is a receiver. The device that controls the message is called a master. The devices that are controlled by the master are referred to as slaves. The bus must be controlled by a master device, which generates the serial clock (SCL), controls the bus access, and generates the START and STOP conditions. The DS1338 operates as a slave on the I<sup>2</sup>C bus. Within the bus specifications, a standard mode (100kHz maximum clock rate) and a fast mode (400kHz maximum clock rate) are defined. The DS1338 works in both modes. Connections to the bus are made through the open-drain I/O lines SDA and SCL.

The following bus protocol has been defined (Figure 5).

- Data transfer can be initiated only when the bus is not busy.
- During data transfer, the data line must remain stable whenever the clock line is HIGH. Changes in the data line while the clock line is HIGH are interpreted as control signals.

Accordingly, the following bus conditions have been defined:

**Bus not busy:** Both data and clock lines remain HIGH.

**Start data transfer:** A change in the state of the data line, from HIGH to LOW, while the clock is HIGH, defines a START condition.

**Stop data transfer:** A change in the state of the data line, from LOW to HIGH, while the clock line is HIGH, defines the STOP condition.

**Data valid:** The state of the data line represents valid data when, after a START condition, the data line is stable for the duration of the HIGH period of the clock signal. The data on the line must be changed during the LOW period of the clock signal. There is one clock pulse per bit of data.

Each data transfer is initiated with a START condition and terminated with a STOP condition. The number of data bytes transferred between START and STOP conditions is not limited and is determined by the master device. The information is transferred byte-wise and each receiver acknowledges with a ninth bit.

**Acknowledge:** Each receiving device, when addressed, is obliged to generate an acknowledge after the reception of each byte. The master device must generate an extra clock pulse that is associated with this acknowledge bit.

A device that acknowledges must pull down the SDA line during the acknowledge clock pulse in such a way that the SDA line is stable LOW during the HIGH period of the acknowledge-related clock pulse. Of course, setup and hold times must be taken into account. A master must signal an end of data to the slave by not generating an acknowledge bit on the last byte that has been clocked out of the slave. In this case, the slave must leave the data line HIGH to enable the master to generate the STOP condition.

**Figure 5. Data Transfer on I<sup>2</sup>C Serial Bus**



Depending upon the state of the  $R/\overline{W}$  bit, two types of data transfer are possible:

- 1) **Data transfer from a master transmitter to a slave receiver.** The master transmits the first byte (the slave address). Next follows a number of data bytes. The slave returns an acknowledge bit after each received byte. Data is transferred with the most significant bit (MSB) first.
- 2) **Data transfer from a slave transmitter to a master receiver.** The master transmits the first byte (the slave address). The slave then returns an acknowledge bit, which is followed by the slave transmitting a number of data bytes. The master returns an acknowledge bit after all received bytes other than the last byte. At the end of the last received byte, a “not acknowledge” is returned. The master device generates all of the serial clock pulses and the START and STOP conditions. A transfer is ended with a STOP condition or with a repeated START condition. Since a repeated START condition is also the beginning of the next serial transfer, the bus is not released. Data is transferred with the most significant bit (MSB) first.

The DS1338 can operate in the following two modes:

- 1) **Slave receiver mode (write mode):** Serial data and clock are received through SDA and SCL. An acknowledge bit is transmitted after each byte is received. START and STOP conditions are recognized as the beginning and end of a serial transfer. Hardware performs address recognition after reception of the slave address and direction bit (Figure 6). The slave address byte is the first byte received after the master generates the START condition. The slave address byte contains the 7-bit DS1338 address—1101000—followed by the direction bit ( $R/\overline{W}$ ), which, for a write, is 0. After receiving and decoding the slave address byte, the slave outputs an acknowledge on the SDA line. After the DS1338 acknowledges the slave address and write bit, the master transmits a register address to the DS1338. This sets the register pointer on the DS1338, with DS1338 acknowledging the transfer. The master may then transmit zero or more bytes of data, with the DS1338 acknowledging each byte received. The register pointer increments after each data byte is transferred. The master generates a STOP condition to terminate the data write.
- 2) **Slave transmitter mode (read mode):** The first byte is received and handled as in the slave receiver mode. However, in this mode, the direction bit indicates that the transfer direction is reversed. The DS1338 transmits serial data on SDA while the serial clock is input on SCL. START and STOP conditions are recognized as the beginning and end of a serial transfer (Figure 7). The slave address byte is the first byte received after the master generates the START condition. The slave address byte contains the 7-bit DS1338 address—1101000—followed by the direction bit ( $R/\overline{W}$ ), which, for a read, is 1. After receiving and decoding the slave address byte, the slave outputs an acknowledge on the SDA line. The DS1338 then starts transmitting data using the register address pointed to by the register pointer. If the register pointer is not set before the initiation of a read mode, the first address that is read is the last one stored in the register pointer. The register pointer is incremented after each byte is transferred. The DS1338 must receive a “not acknowledge” to end a read.

**Figure 6. Data Write—Slave Receiver Mode**



**Figure 7. Data Read (From Current Pointer Location)—Slave Transmitter Mode**



**Figure 8. Data Read (Write Pointer, Then Read—Slave Receive and Transmit**



## HANDLING, PCB LAYOUT, AND ASSEMBLY

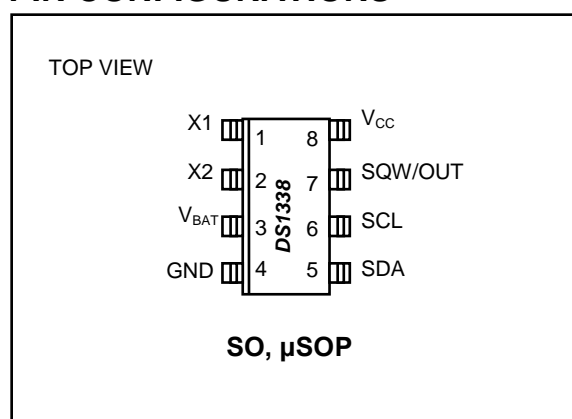
The DS1338C package contains a quartz tuning-fork crystal. Pick-and-place equipment may be used, but precautions should be taken to ensure that excessive shocks are avoided. Ultrasonic cleaning should be avoided to prevent damage to the crystal. Exposure to reflow is limited to 2 times maximum.

Avoid running signal traces under the package, unless a ground plane is placed between the package and the signal line. All N.C. (no connect) pins must be connected to ground.

The RoHS and lead-free/RoHS packages may be reflowed using a reflow profile that complies with JEDEC J-STD-020.

Moisture-sensitive packages are shipped from the factory dry-packed. Handling instructions listed on the package label must be followed to prevent damage during reflow. Refer to the IPC/JEDEC J-STD-020 standard for moisture-sensitive device (MSD) classifications.

## PIN CONFIGURATIONS



## CHIP INFORMATION

TRANSISTOR COUNT: 12,231  
PROCESS: CMOS

## THERMAL INFORMATION

| PART        | THETA-J <sub>A</sub><br>(°C/W) | THETA-J <sub>C</sub><br>(°C/W) |
|-------------|--------------------------------|--------------------------------|
| 8 SO        | 132                            | 38                             |
| 8 $\mu$ SOP | 206.3                          | 42                             |
| 16 SO       | 73                             | 23                             |

## PACKAGE INFORMATION

For the latest package outline information and land patterns (footprints), go to [www.maxim-ic.com/packages](http://www.maxim-ic.com/packages). Note that a "+", "#", or "-" in the package code indicates RoHS status only. Package drawings may show a different suffix character, but the drawing pertains to the package regardless of RoHS status.

| PACKAGE TYPE | PACKAGE CODE | OUTLINE NO.             | LAND PATTERN NO.        |
|--------------|--------------|-------------------------|-------------------------|
| 8 SO         | S8+4         | <a href="#">21-0041</a> | <a href="#">90-0096</a> |
| 8 $\mu$ MAX  | U8+1         | <a href="#">21-0036</a> | <a href="#">90-0092</a> |
| 16 SO        | W16#H2       | <a href="#">21-0042</a> | <a href="#">90-0107</a> |

## REVISION HISTORY

| REVISION DATE | DESCRIPTION  | PAGES CHANGED |
|---------------|--|---------------|
| 100108        | Modified the <i>Features</i> bullet to indicate that battery-backed RAM has unlimited writes.  | 1             |
|               | Removed leaded part numbers from the <i>Ordering Information</i> table.  | 1             |
|               | Removed the pullup resistor voltage spec from the <i>Recommended DC Operating Conditions</i> table and added it to the pin descriptions.   | 2, 7          |
|               | Updated the block diagram (Figure 3) to show that SQW is open drain.   | 5             |
|               | Added the initial POR state for time and date registers in the <i>Power Control</i> section.   | 8             |
|               | Added text to explain the use of the oscillator bit to control battery current in the <i>Clock and Calendar</i> section.   | 9             |
| 9/11          | Updated the <i>Absolute Maximum Ratings, Recommended DC Operating Conditions, DC Electrical Characteristics, Power Control, Oscillator Circuit, Table 3, Handling, PBB Layout, and Assembly, Thermal Information, and Package Information.</i> | 2, 8, 10, 15  |
| 3/12          | Corrected the CH bit POR condition from 1 to 0 in the <i>Power Control</i> section   | 8             |
| 4/15          | Revised <i>Benefits and Features</i> section   | 1             |





Компания «ЭлектроПласт» предлагает заключение долгосрочных отношений при поставках импортных электронных компонентов на взаимовыгодных условиях!

Наши преимущества:

- Оперативные поставки широкого спектра электронных компонентов отечественного и импортного производства напрямую от производителей и с крупнейших мировых складов;
- Поставка более 17-ти миллионов наименований электронных компонентов;
- Поставка сложных, дефицитных, либо снятых с производства позиций;
- Оперативные сроки поставки под заказ (от 5 рабочих дней);
- Экспресс доставка в любую точку России;
- Техническая поддержка проекта, помощь в подборе аналогов, поставка прототипов;
- Система менеджмента качества сертифицирована по Международному стандарту ISO 9001;
- Лицензия ФСБ на осуществление работ с использованием сведений, составляющих государственную тайну;
- Поставка специализированных компонентов (Xilinx, Altera, Analog Devices, Intersil, Interpoint, Microsemi, Aeroflex, Peregrine, Syfer, Eurofarad, Texas Instrument, Miteq, Cobham, E2V, MA-COM, Hittite, Mini-Circuits, General Dynamics и др.);

Помимо этого, одним из направлений компании «ЭлектроПласт» является направление «Источники питания». Мы предлагаем Вам помощь Конструкторского отдела:

- Подбор оптимального решения, техническое обоснование при выборе компонента;
- Подбор аналогов;
- Консультации по применению компонента;
- Поставка образцов и прототипов;
- Техническая поддержка проекта;
- Защита от снятия компонента с производства.



#### Как с нами связаться

**Телефон:** 8 (812) 309 58 32 (многоканальный)

**Факс:** 8 (812) 320-02-42

**Электронная почта:** [org@eplast1.ru](mailto:org@eplast1.ru)

**Адрес:** 198099, г. Санкт-Петербург, ул. Калинина, дом 2, корпус 4, литера А.