

EVALUATION KIT
AVAILABLE



Anything-to-LVDS Dual 2 x 2 Crosspoint Switches

MAX9392/MAX9393

General Description

The MAX9392/MAX9393 dual 2 x 2 crosspoint switches perform high-speed, low-power, and low-noise signal distribution. The MAX9392/MAX9393 multiplex one of two differential input pairs to either or both low-voltage differential signaling (LVDS) outputs for each channel. Independent enable inputs turn on or turn off each differential output pair.

Four LVCMOS/LVTTL logic inputs (two per channel) control the internal connections between inputs and outputs. This flexibility allows for the following configurations: 2 x 2 crosspoint switch, 2:1 mux, 1:2 splitter, or dual repeater. This makes the MAX9392/MAX9393 ideal for protection switching in fault-tolerant systems, loopback switching for diagnostics, fanout buffering for clock/data distribution, and signal regeneration.

Fail-safe circuitry forces the outputs to a differential low condition for undriven inputs or when the common-mode voltage exceeds the specified range. The MAX9392 provides high-level input fail-safe detection for LVDS, HSTL, and other GND-referenced differential inputs. The MAX9393 provides low-level input fail-safe detection for LVPECL, CML, and other V_{CC} -referenced differential inputs.

Ultra-low 98ps_(P-P) (max) pseudorandom bit sequence (PRBS) jitter ensures reliable communications in high-speed links that are highly sensitive to timing error, especially those incorporating clock-and-data recovery, or serializers and deserializers. The high-speed switching performance guarantees 1.5GHz operation and less than 67ps (max) skew between channels.

LVDS inputs and outputs are compatible with the TIA/EIA-644 LVDS standard. The LVDS outputs drive 100Ω loads. The MAX9392/MAX9393 are offered in a 32-pin TQFP package and operate over the extended temperature range (-40°C to +85°C).

Also see the MAX9390/MAX9391 for the crossflow version.

Applications

High-Speed Telecom/Datacom Equipment
Central-Office Backplane Clock Distribution
DSLAM
Protection Switching
Fault-Tolerant Systems

Functional Diagram and Typical Operating Circuit appear at end of data sheet.



Features

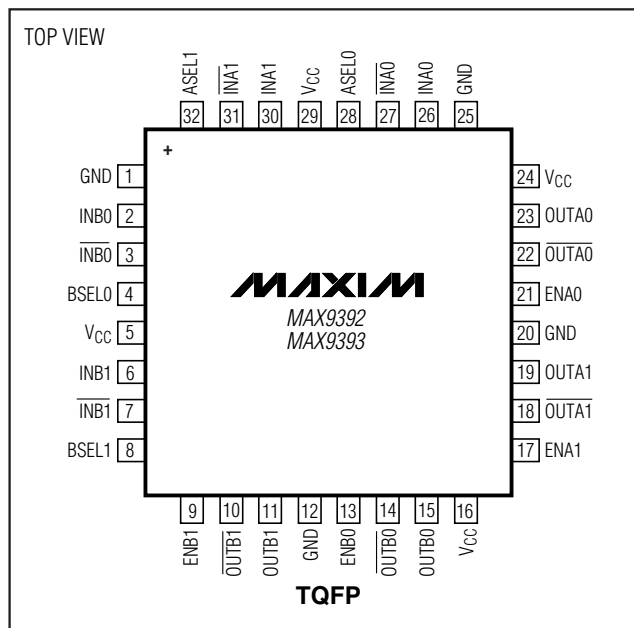
- ◆ 1.5GHz Operation with 250mV Differential Output Swing
- ◆ 2ps_{RMS} (max) Random Jitter
- ◆ AC Specifications Guaranteed for 150mV Differential Input
- ◆ Signal Inputs Accept Any Differential Signaling Standard
- ◆ LVDS Outputs for Clock or High-Speed Data
- ◆ High-Level Input Fail-Safe Detection (MAX9392)
- ◆ Low-Level Input Fail-Safe Detection (MAX9393)
- ◆ 3.0V to 3.6V Supply Voltage Range
- ◆ LVCMOS/LVTTL Logic Inputs Control Signal Routing

Ordering Information

PART	TEMP RANGE	PIN-PACKAGE	PKG CODE
MAX9392EHJ	-40°C to +85°C	32 TQFP	H32-1
MAX9392EHJ+	-40°C to +85°C	32 TQFP	H32-1
MAX9393EHJ	-40°C to +85°C	32 TQFP	H32-1
MAX9393EHJ+	-40°C to +85°C	32 TQFP	H32-1

+Denotes a lead-free package.

Pin Configurations



Anything-to-LVDS Dual 2 x 2 Crosspoint Switches

ABSOLUTE MAXIMUM RATINGS

V _{CC} to GND	-0.3V to +4.1V
IN _{__} , $\overline{\text{IN}}_{__}$, OUT _{__} , $\overline{\text{OUT}}_{__}$, EN _{__} , _SEL _{__} to GND	-0.3V to (V _{CC} + 0.3V)
IN _{__} to $\overline{\text{IN}}_{__}$	±3V
Short-Circuit Duration (OUT _{__} , $\overline{\text{OUT}}_{__}$)	Continuous
Continuous Power Dissipation (T _A = +70°C) 32-Pin TQFP (derate 13.1mW/°C above +70°C)	1047mW

Junction-to-Ambient Thermal Resistance in Still Air 32-Pin TQFP	+76.4°C/W
Operating Temperature Range	-40°C to +85°C
Junction Temperature	+150°C
Storage Temperature Range	-65°C to +150°C
Soldering Temperature (10s)	+300°C

Stresses beyond those listed under "Absolute Maximum Ratings" may cause permanent damage to the device. These are stress ratings only, and functional operation of the device at these or any other conditions beyond those indicated in the operational sections of the specifications is not implied. Exposure to absolute maximum rating conditions for extended periods may affect device reliability.

DC ELECTRICAL CHARACTERISTICS

(V_{CC} = 3.0V to 3.6V, R_L = 100Ω ±1%, EN_{__} = V_{CC}, V_{CM} = 0.05V to (V_{CC} - 0.6V) (MAX9392), V_{CM} = 0.6V to (V_{CC} - 0.05V) (MAX9393), T_A = -40°C to +85°C, unless otherwise noted. Typical values are at V_{CC} = 3.3V, |V_{ID}| = 0.2V, V_{CM} = 1.2V, T_A = +25°C, unless otherwise noted.) (Notes 1, 2, and 3)

PARAMETER	SYMBOL	CONDITIONS	MIN	TYP	MAX	UNITS	
LVCMOS/LVTTL INPUTS (EN_{__}, _SEL_{__})							
Input High Voltage	V _{IH}		2.0		V _{CC}	V	
Input Low Voltage	V _{IL}		0		0.8	V	
Input High Current	I _{IH}	V _{IN} = 2.0V to V _{CC}	0		20	μA	
Input Low Current	I _{IL}	V _{IN} = 0 to 0.8V	0		10	μA	
DIFFERENTIAL INPUTS (IN_{__}, $\overline{\text{IN}}_{__}$)							
Differential Input Voltage	V _{ID}	V _{ILD} ≥ 0 and V _{IHD} ≤ V _{CC} , Figure 1	0.1		3.0	V	
Input Common-Mode Range	V _{CM}	MAX9392	0.05		V _{CC} - 0.6	V	
		MAX9393	0.6		V _{CC} - 0.05	V	
Input Current	I _{IN_{__}} , I _{$\overline{\text{IN}}_{__}$}	MAX9392	V _{ID} ≤ 3.0V		-50	+10	μA
		MAX9393	V _{ID} ≤ 3.0V		-10	+90	
LVDS OUTPUTS (OUT_{__}, $\overline{\text{OUT}}_{__}$)							
Differential Output Voltage	V _{OD}	R _L = 100Ω, Figure 2	250	350	450	mV	
Change in Magnitude of V _{OD} Between Complementary Output States	ΔV _{OD}	Figure 2		1.0	50	mV	
Offset Common-Mode Voltage	V _{OS}	Figure 2	1.125	1.25	1.375	V	
Change in Magnitude of V _{OS} Between Complementary Output States	ΔV _{OS}	Figure 2		1.0	50	mV	

Anything-to-LVDS Dual 2 x 2 Crosspoint Switches

MAX9392/MAX9393

DC ELECTRICAL CHARACTERISTICS (continued)

($V_{CC} = 3.0V$ to $3.6V$, $R_L = 100\Omega \pm 1\%$, $EN_{_} = V_{CC}$, $V_{CM} = 0.05V$ to $(V_{CC} - 0.6V)$ (MAX9392), $V_{CM} = 0.6V$ to $(V_{CC} - 0.05V)$ (MAX9393), $T_A = -40^\circ C$ to $+85^\circ C$, unless otherwise noted. Typical values are at $V_{CC} = 3.3V$, $|V_{ID}| = 0.2V$, $V_{CM} = 1.2V$, $T_A = +25^\circ C$, unless otherwise noted.) (Notes 1, 2, and 3)

PARAMETER	SYMBOL	CONDITIONS	MIN	TYP	MAX	UNITS
Output Short-Circuit Current (Either Output Shorted to GND)	I_{OS}	$V_{ID} = \pm 100mV$ (Note 4)		30	40	mA
		$V_{OUT_{_}} = V_{\overline{OUT}_{_}} = 0$		18	24	
Output Short-Circuit Current (Outputs Shorted Together)	I_{OSB}	$V_{ID} = \pm 100mV$, $V_{OUT_{_}} = V_{\overline{OUT}_{_}}$ (Note 4)		5.0	12	mA
SUPPLY CURRENT						
Supply Current	I_{CC}	$R_L = 100\Omega$, $EN_{_} = V_{CC}$		68	98	mA

AC ELECTRICAL CHARACTERISTICS

($V_{CC} = 3.0V$ to $3.6V$, $f_{IN} \leq 1.34GHz$, $t_{R_{IN}} = t_{F_{IN}} = 125ps$, $R_L = 100\Omega \pm 1\%$, $|V_{ID}| \geq 150mV$, $V_{CM} = 0.075V$ to $(V_{CC} - 0.6V)$ (MAX9392 only), $V_{CM} = 0.6V$ to $(V_{CC} - 0.075V)$ (MAX9393 only), $EN_{_} = V_{CC}$, $T_A = -40^\circ C$ to $+85^\circ C$, unless otherwise noted. Typical values are at $V_{CC} = 3.3V$, $|V_{ID}| = 0.2V$, $V_{CM} = 1.2V$, $f_{IN} = 1.34GHz$, $T_A = +25^\circ C$, unless otherwise noted.) (Note 5)

PARAMETER	SYMBOL	CONDITIONS	MIN	TYP	MAX	UNITS
$_{_}SEL_{_}$ to Switched Output	t_{SWITCH}	Figure 3			1.1	ns
Disable Time to Differential Output Low	t_{PHD}	Figure 4			1.7	ns
Enable Time to Differential Output High	t_{PDH}	Figure 4			1.7	ns
Switching Frequency	f_{MAX}	$V_{OD} \geq 250mV$	1.5	2.2		GHz
Low-to-High Propagation Delay	t_{PLH}	Figures 1, 5	294	410	574	ps
High-to-Low Propagation Delay	t_{PHL}	Figures 1, 5	286	402	555	ps
Pulse Skew ($t_{PLH} - t_{PHL}$)	t_{SKEW}	Figures 1, 5 (Note 6)		17	104	ps
Output-to-Output Skew	t_{CCS}	Figures 5, 6 (Note 7)		4	67	ps
Output Low-to-High Transition Time (20% to 80%)	t_R	Figures 1, 5; $f_{IN} = 100MHz$	112	142	185	ps
Output High-to-Low Transition Time (80% to 20%)	t_F	Figures 1, 5; $f_{IN} = 100MHz$	112	145	185	ps
Added Random Jitter	t_{RJ}	$f_{IN_{_}} = 1.34GHz$, clock pattern (Note 8)			2	psRMS
Added Deterministic Jitter	t_{DJ}	1.34Gbps, $2^{23} - 1$ PRBS (Note 8)		60	98	psP-P

Note 1: Measurements obtained with the device in thermal equilibrium. All voltages referenced to GND except V_{ID} , V_{OD} , and ΔV_{OD} .

Note 2: Current into the device defined as positive. Current out of the device defined as negative.

Note 3: DC parameters tested at $T_A = +25^\circ C$ and guaranteed by design and characterization for $T_A = -40^\circ C$ to $+85^\circ C$.

Note 4: Current through either output.

Note 5: Guaranteed by design and characterization. Limits set at ± 6 sigma.

Note 6: t_{SKEW} is the magnitude difference of differential propagation delays for the same output over same conditions. $t_{SKEW} = |t_{PHL} - t_{PLH}|$.

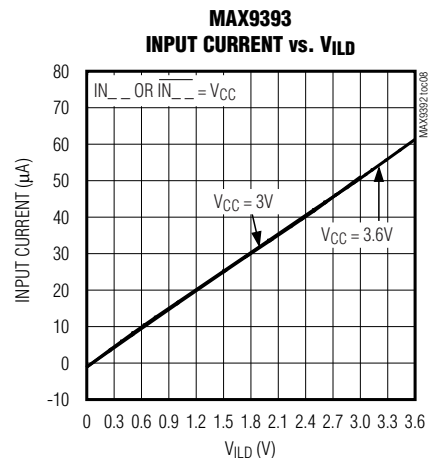
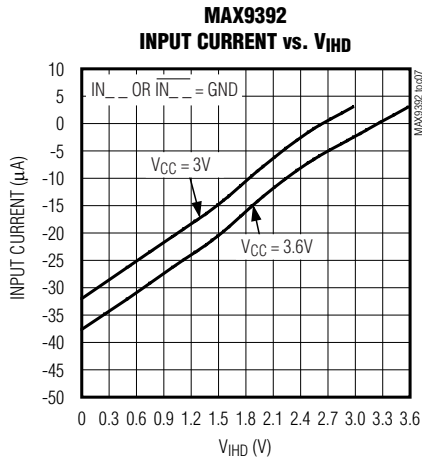
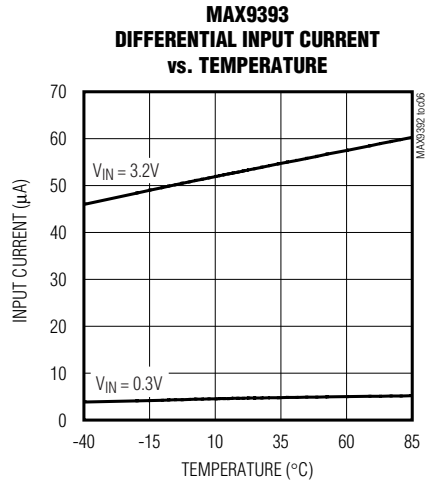
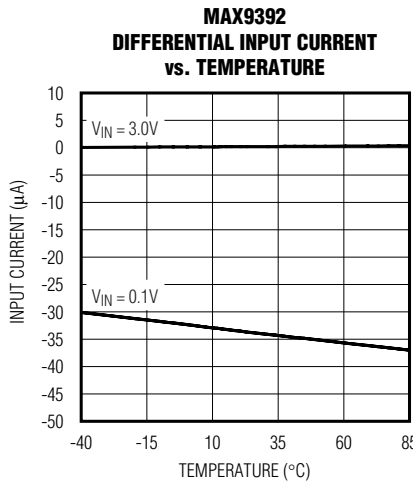
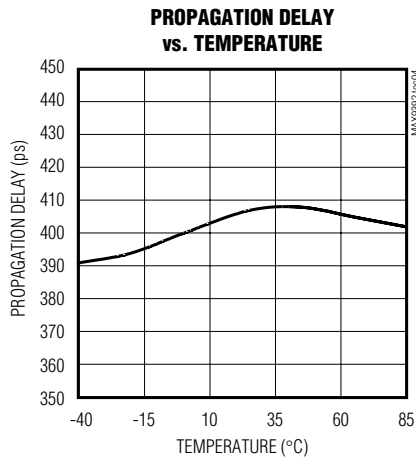
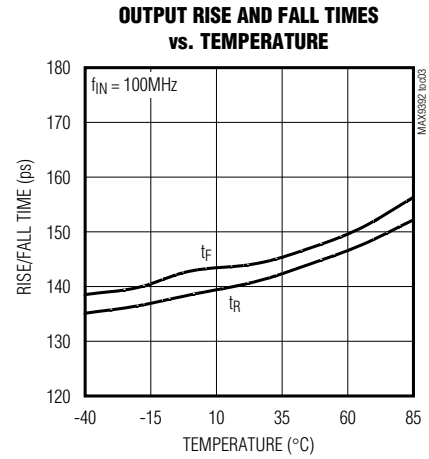
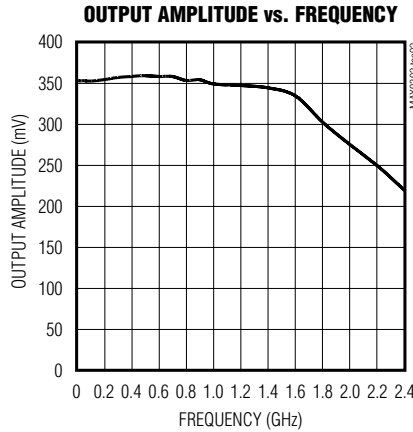
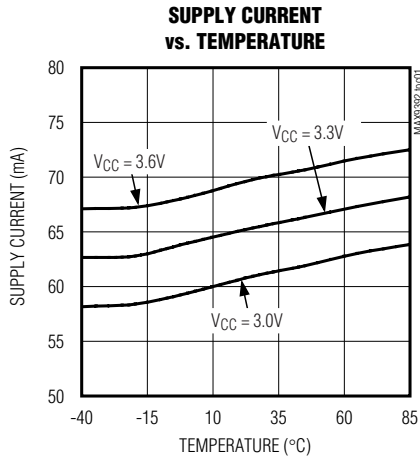
Note 7: Measured between outputs of the same device at the signal crossing points for a same-edge transition, under the same conditions.

Note 8: Device jitter added to the differential input signal.

Anything-to-LVDS Dual 2 x 2 Crosspoint Switches

Typical Operating Characteristics

($V_{CC} = +3.3V$, $|V_{ID}| = 0.2V$, $V_{CM} = +1.2V$, $f_{IN} = 1.34GHz$, $T_A = +25^\circ C$, unless otherwise noted.)



Anything-to-LVDS Dual 2 x 2 Crosspoint Switches

Pin Description

PIN	NAME	FUNCTION
1, 12, 20, 25	GND	Ground
2	INB0	LVDS/HSTL (MAX9392) or LVPECL/CML (MAX9393) Noninverting Input. An internal 128k Ω resistor to V _{CC} pulls the input high when unconnected (MAX9392). An internal 68k Ω resistor to GND pulls the input low when unconnected (MAX9393).
3	$\overline{\text{INB0}}$	LVDS/HSTL (MAX9392) or LVPECL/CML (MAX9393) Inverting Input. An internal 128k Ω resistor to V _{CC} pulls the input high when unconnected (MAX9392). An internal 68k Ω resistor to GND pulls the input low when unconnected (MAX9393).
4	BSEL0	Input Select for B0 Output. Selects the differential input to reproduce at the B0 differential outputs. Connect BSEL0 to GND or leave open to select the INB0 ($\overline{\text{INB0}}$) set of inputs. Connect BSEL0 to V _{CC} to select the INB1 ($\overline{\text{INB1}}$) set of inputs. An internal 435k Ω resistor pulls BSEL0 low when unconnected.
5, 16, 24, 29	V _{CC}	Power-Supply Input. Bypass each V _{CC} to GND with 0.1 μ F and 0.01 μ F ceramic capacitors. Install both bypass capacitors as close to the device as possible, with the 0.01 μ F capacitor closest to the device.
6	INB1	LVDS/HSTL (MAX9392) or LVPECL/CML (MAX9393) Noninverting Input. An internal 128k Ω resistor to V _{CC} pulls the input high when unconnected (MAX9392). An internal 68k Ω resistor to GND pulls the input low when unconnected (MAX9393).
7	$\overline{\text{INB1}}$	LVDS/HSTL (MAX9392) or LVPECL/CML (MAX9393) Inverting Input. An internal 128k Ω resistor to V _{CC} pulls the input high when unconnected (MAX9392). An internal 68k Ω resistor to GND pulls the input low when unconnected (MAX9393).
8	BSEL1	Input Select for B1 Output. Selects the differential input to reproduce at the B1 differential outputs. Connect BSEL1 to GND or leave open to select the INB0 ($\overline{\text{INB0}}$) set of inputs. Connect BSEL1 to V _{CC} to select the INB1 ($\overline{\text{INB1}}$) set of inputs. An internal 435k Ω resistor pulls BSEL1 low when unconnected.
9	ENB1	B1 Output Enable. Drive ENB1 high to enable the B1 LVDS outputs. An internal 435k Ω resistor pulls ENB1 low when unconnected.
10	$\overline{\text{OUTB1}}$	B1 LVDS Inverting Output. Connect a 100 Ω termination resistor between OUTB1 and $\overline{\text{OUTB1}}$ at the receiver inputs to ensure proper operation.
11	OUTB1	B1 LVDS Noninverting Output. Connect a 100 Ω termination resistor between OUTB1 and $\overline{\text{OUTB1}}$ at the receiver inputs to ensure proper operation.
13	ENB0	B0 Output Enable. Drive ENB0 high to enable the B0 LVDS outputs. An internal 435k Ω resistor pulls ENB0 low when unconnected.
14	$\overline{\text{OUTB0}}$	B0 LVDS Inverting Output. Connect a 100 Ω termination resistor between OUTB0 and $\overline{\text{OUTB0}}$ at the receiver inputs to ensure proper operation.
15	OUTB0	B0 LVDS Noninverting Output. Connect a 100 Ω termination resistor between OUTB0 and $\overline{\text{OUTB0}}$ at the receiver inputs to ensure proper operation.

MAX9392/MAX9393

Anything-to-LVDS Dual 2 x 2 Crosspoint Switches

Pin Description (continued)

PIN	NAME	FUNCTION
17	ENA1	A1 Output Enable. Drive ENA1 high to enable the A1 LVDS outputs. An internal 435k Ω resistor pulls ENA1 low when unconnected.
18	$\overline{\text{OUTA1}}$	A1 LVDS Inverting Output. Connect a 100 Ω termination resistor between OUTA1 and $\overline{\text{OUTA1}}$ at the receiver inputs to ensure proper operation.
19	OUTA1	A1 LVDS Noninverting Output. Connect a 100 Ω termination resistor between OUTA1 and $\overline{\text{OUTA1}}$ at the receiver inputs to ensure proper operation.
21	ENA0	A0 Output Enable. Drive ENA0 high to enable the A0 LVDS outputs. An internal 435k Ω resistor pulls ENA0 low when unconnected.
22	$\overline{\text{OUTA0}}$	A0 LVDS Inverting Output. Connect a 100 Ω termination resistor between OUTA0 and $\overline{\text{OUTA0}}$ at the receiver inputs to ensure proper operation.
23	OUTA0	A0 LVDS Noninverting Output. Connect a 100 Ω termination resistor between OUTA0 and $\overline{\text{OUTA0}}$ at the receiver inputs to ensure proper operation.
26	INA0	LVDS/HSTL (MAX9392) or LVPECL/CML (MAX9393) Noninverting Input. An internal 128k Ω resistor to V _{CC} pulls the input high when unconnected (MAX9392). An internal 68k Ω resistor to GND pulls the input low when unconnected (MAX9393).
27	$\overline{\text{INA0}}$	LVDS/HSTL (MAX9392) or LVPECL/CML (MAX9393) Inverting Input. An internal 128k Ω resistor to V _{CC} pulls the input high when unconnected (MAX9392). An internal 68k Ω resistor to GND pulls the input low when unconnected (MAX9393).
28	ASEL0	Input Select for A0 Output. Selects the differential input to reproduce at the A0 differential outputs. Connect ASEL0 to GND or leave open to select the INA0 ($\overline{\text{INA0}}$) set of inputs. Connect ASEL0 to V _{CC} to select the INA1 ($\overline{\text{INA1}}$) set of inputs. An internal 435k Ω resistor pulls ASEL0 low when unconnected.
30	INA1	LVDS/HSTL (MAX9392) or LVPECL/CML (MAX9393) Noninverting Input. An internal 128k Ω resistor to V _{CC} pulls the input high when unconnected (MAX9392). An internal 68k Ω resistor to GND pulls the input low when unconnected (MAX9393).
31	$\overline{\text{INA1}}$	LVDS/HSTL (MAX9392) or LVPECL/CML (MAX9393) Inverting Input. An internal 128k Ω resistor to V _{CC} pulls the input high when unconnected (MAX9392). An internal 68k Ω resistor to GND pulls the input low when unconnected (MAX9393).
32	ASEL1	Input Select for A1 Output. Selects the differential input to reproduce at the A1 differential outputs. Connect ASEL1 to GND or leave open to select the INA0 ($\overline{\text{INA0}}$) set of inputs. Connect ASEL1 to V _{CC} to select the INA1 ($\overline{\text{INA1}}$) set of inputs. An internal 435k Ω resistor pulls ASEL1 low when unconnected.

Anything-to-LVDS Dual 2 x 2 Crosspoint Switches

MAX9392/MAX9393

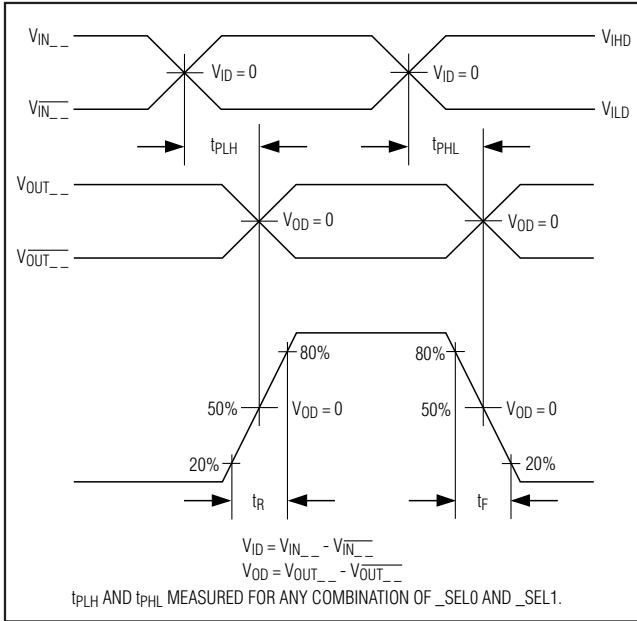


Figure 1. Output Transition Time and Propagation Delay Timing Diagram

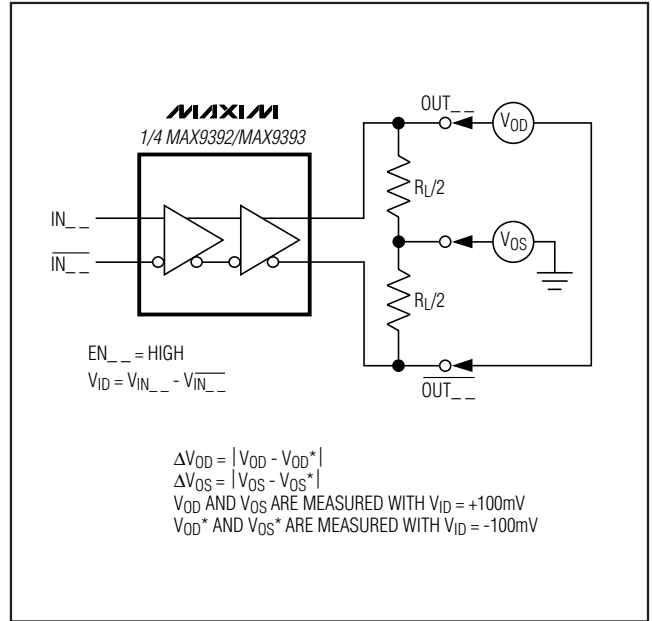


Figure 2. Test Circuit for V_{OD} and V_{OS}

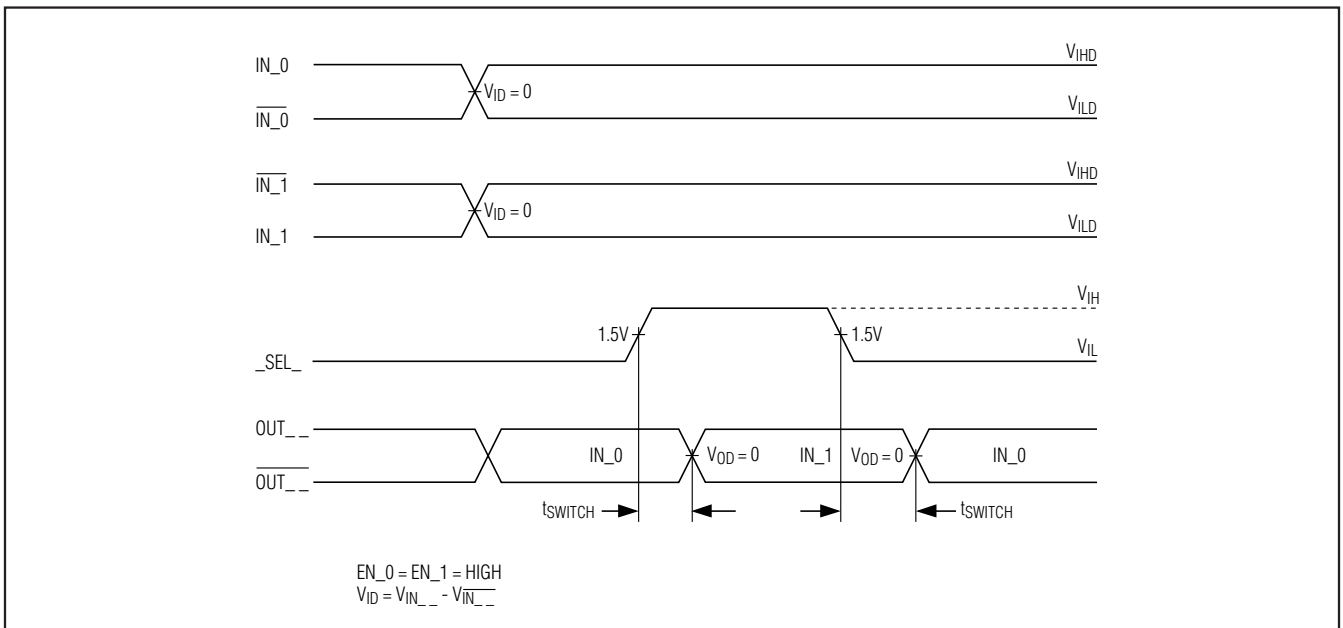


Figure 3. Input to Rising/Falling Edge Select and Mux Switch Timing Diagram

Anything-to-LVDS Dual 2 x 2 Crosspoint Switches

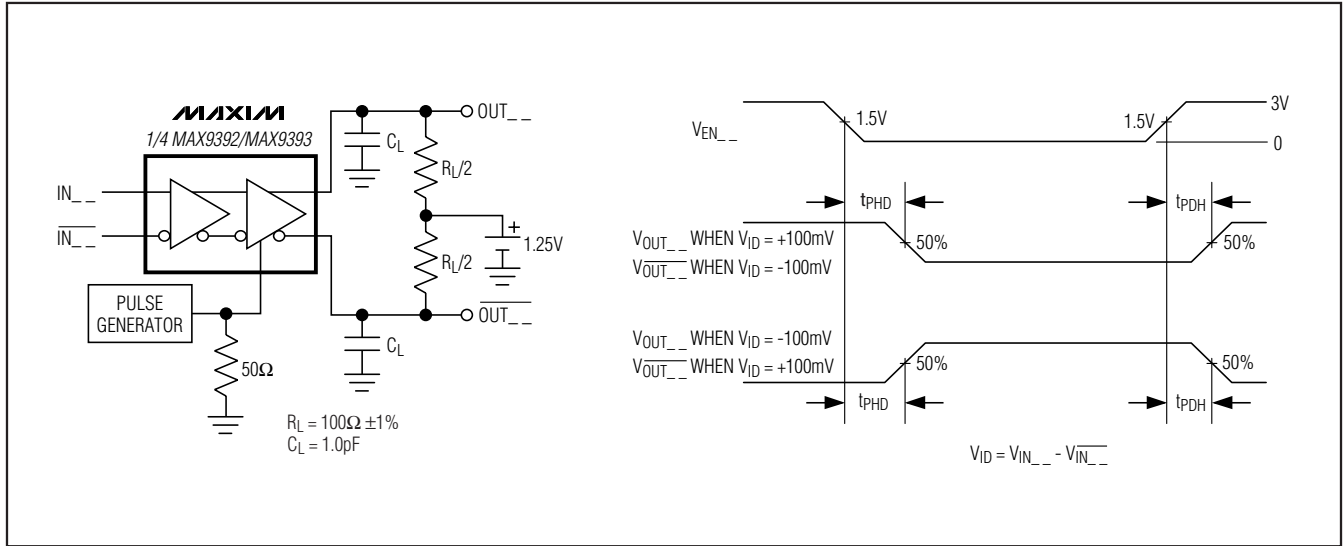


Figure 4. Output Active-to-Disable and Disable-to-Active Test Circuit and Timing Diagram

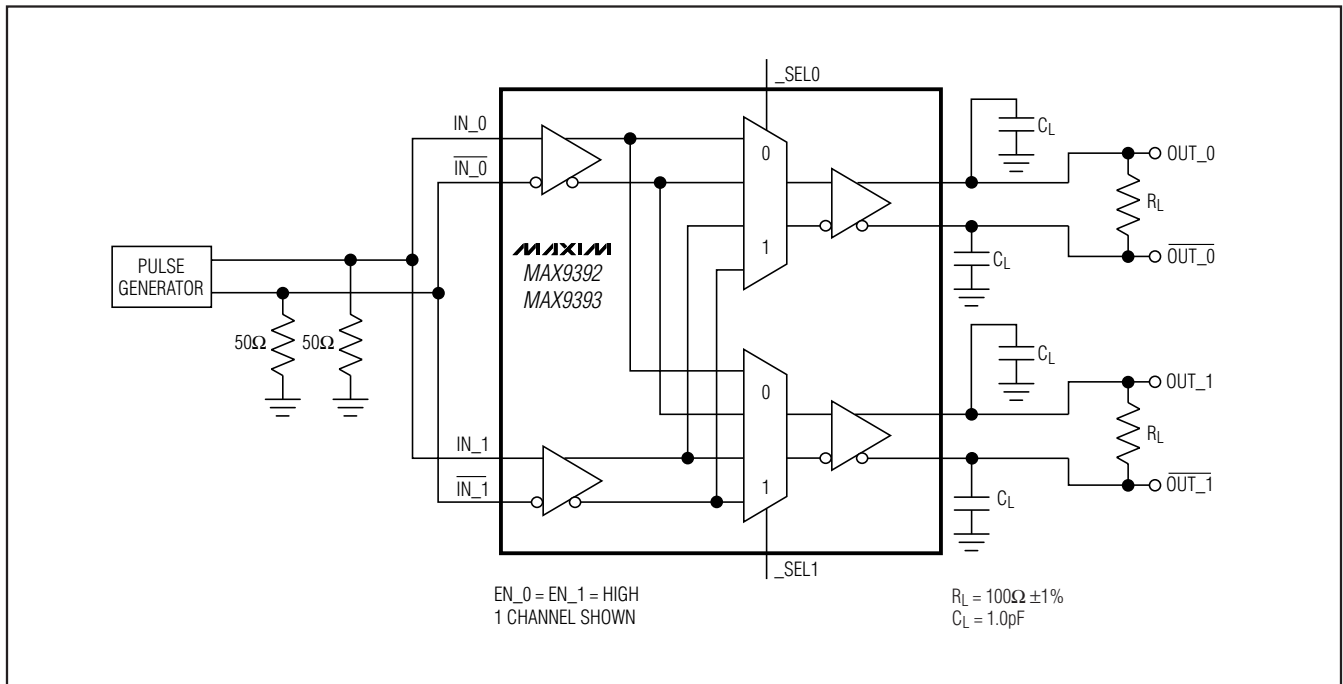


Figure 5. Output Transition Time, Propagation Delay, and Output Channel-to-Channel Skew Test Circuit

Anything-to-LVDS Dual 2 x 2 Crosspoint Switches

MAX9392/MAX9393

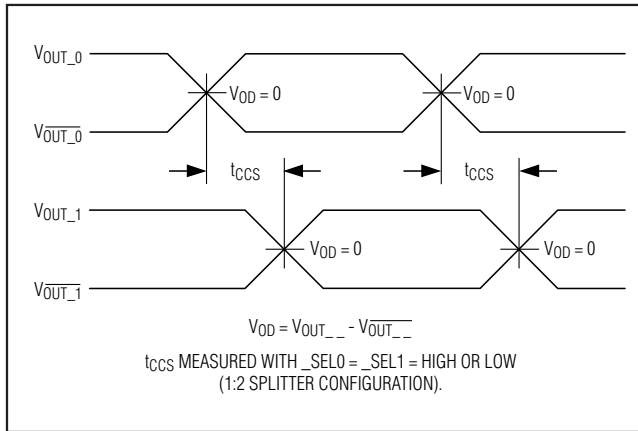


Figure 6. Output Channel-to-Channel Skew

Detailed Description

The LVDS interface standard provides a signaling method for point-to-point communication over a controlled-impedance medium as defined by the ANSI TIA/EIA-644 standard. LVDS utilizes a lower voltage swing than other communication standards, achieving higher data rates with reduced power consumption, while reducing EMI emissions and system susceptibility to noise.

The MAX9392/MAX9393 1.5GHz dual 2 x 2 crosspoint switches optimize high-speed, low-power, point-to-point interfaces. The MAX9392 accepts LVDS and HSTL signals, while the MAX9393 accepts LVPECL and CML signals. Both devices route the input signals to either or both LVDS outputs.

When configured as a 1:2 splitter, the outputs repeat the selected inputs. This configuration creates copies of signals for protection switching. When configured as a repeater, the device operates as a two-channel buffer. Repeating restores signal amplitude, allowing isolation of media segments or longer media drive. When configured as a 2:1 mux, select primary or backup signals to provide a protection-switched, fault-tolerant application.

Input Fail-Safe

The differential inputs of the MAX9392/MAX9393 possess internal fail-safe protection. Fail-safe circuitry forces the outputs to a differential low condition for undriven inputs or when the common-mode voltage exceeds the specified range. The MAX9392 provides high-level input fail-safe detection for LVDS, HSTL, and other GND-referenced differential inputs. The MAX9393 provides low-level input fail-safe detection for LVPECL, CML, and other VCC-referenced differential inputs.

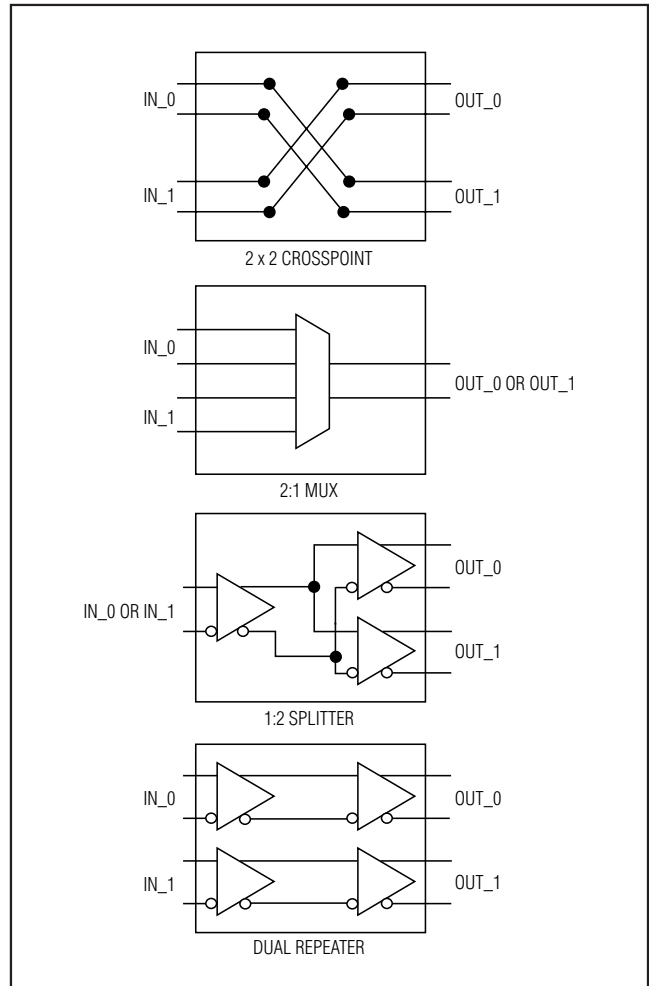


Figure 7. Programmable Configurations

Select Function

The $_SEL_$ logic inputs control the input and output signal connections. Two logic inputs control the signal routing for each channel. $_SEL0$ and $_SEL1$ allow the devices to be configured as a differential crosspoint switch, 2:1 mux, dual repeater, or 1:2 splitter (Figure 7). See Table 1 for mode-selection settings (insert A or B for the $_$). Channels A and B possess separate select inputs, allowing different configurations for each channel.

Enable Function

The $EN_$ logic inputs enable and disable each set of differential outputs. Connect EN_0 to VCC to enable the OUT_0/OUT_0 differential output pair. Connect EN_0 to GND to disable the OUT_0/OUT_0 differential output pair. The differential output pairs assert to a differential low condition when disabled.

Anything-to-LVDS Dual 2 x 2 Crosspoint Switches

Table 1. Input/Output Function Table

_SEL0	_SEL1	OUT_0 / $\overline{\text{OUT}}_0$	OUT_1 / $\overline{\text{OUT}}_1$	MODE
0	0	IN_0 / $\overline{\text{IN}}_0$	IN_0 / $\overline{\text{IN}}_0$	1:2 splitter
0	1	IN_0 / $\overline{\text{IN}}_0$	IN_1 / $\overline{\text{IN}}_1$	Repeater
1	0	IN_1 / $\overline{\text{IN}}_1$	IN_0 / $\overline{\text{IN}}_0$	Switch
1	1	IN_1 / $\overline{\text{IN}}_1$	IN_1 / $\overline{\text{IN}}_1$	1:2 splitter

Applications Information

Differential Inputs

The MAX9392/MAX9393 inputs accept any differential signaling standard within the specified common-mode voltage range. The fail-safe feature detects common-mode input signal levels and generates a differential output low condition for undriven inputs or when the common-mode voltage exceeds the specified range. Leave unused inputs unconnected or connect to VCC for the MAX9392 or to GND for the MAX9393.

Differential Outputs

The output common-mode voltage is not properly established if the LVDS output is higher than 0.6V when the supply voltage is ramping up at power-on. This condition can occur when an LVDS output drives an LVDS input on the same chip. To avoid this situation for the MAX9392/MAX9393, connect a 10k Ω resistor from the noninverting output (OUT_) to ground, and connect a 10k Ω resistor from the inverting output ($\overline{\text{OUT}}$) to ground. These pull-down resistors keep the output below 0.6V when the supply is ramping up (Figure 8).

Expanding the Number of LVDS Output Ports

Cascade devices to make larger switches. Consider the total propagation delay and total jitter when determining the maximum allowable switch size.

Power-Supply Bypassing

Bypass each VCC to GND with high-frequency surface-mount ceramic 0.1 μF and 0.01 μF capacitors in parallel as close to the device as possible. Install the 0.01 μF capacitor closest to the device.

Differential Traces

Input and output trace characteristics affect the performance of the MAX9392/MAX9393. Connect each input and output to a 50 Ω characteristic impedance trace. Maintain the distance between differential traces and eliminate sharp corners to avoid discontinuities in differential impedance and maximize common-mode noise immunity. Minimize the number of vias on the differential input and output traces to prevent impedance

discontinuities. Reduce reflections by maintaining the 50 Ω characteristic impedance through connectors and across cables. Minimize skew by matching the electrical length of the traces.

Output Termination

Terminate LVDS outputs with a 100 Ω resistor between the differential outputs at the receiver inputs. LVDS outputs require 100 Ω termination for proper operation.

Ensure that the output currents do not exceed the current limits specified in the *Absolute Maximum Ratings*. Observe the total thermal limits of the MAX9392/MAX9393 under all operating conditions.

Cables and Connectors

Use matched differential impedance for transmission media. Use cables and connectors with matched differential impedance to minimize impedance discontinuities. Avoid the use of unbalanced cables. Balanced cables such as twisted pair offer superior signal quality and tend to generate less EMI due to canceling effects.

Board Layout

Use a four-layer printed circuit (PC) board providing separate signal, power, and ground planes for high-speed signaling applications. Bypass VCC to GND as close to the device as possible. Install termination resistors as close to receiver inputs as possible. Match the electrical length of the differential traces to minimize signal skew.

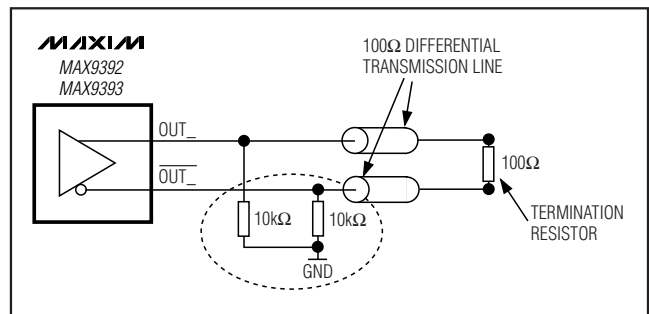
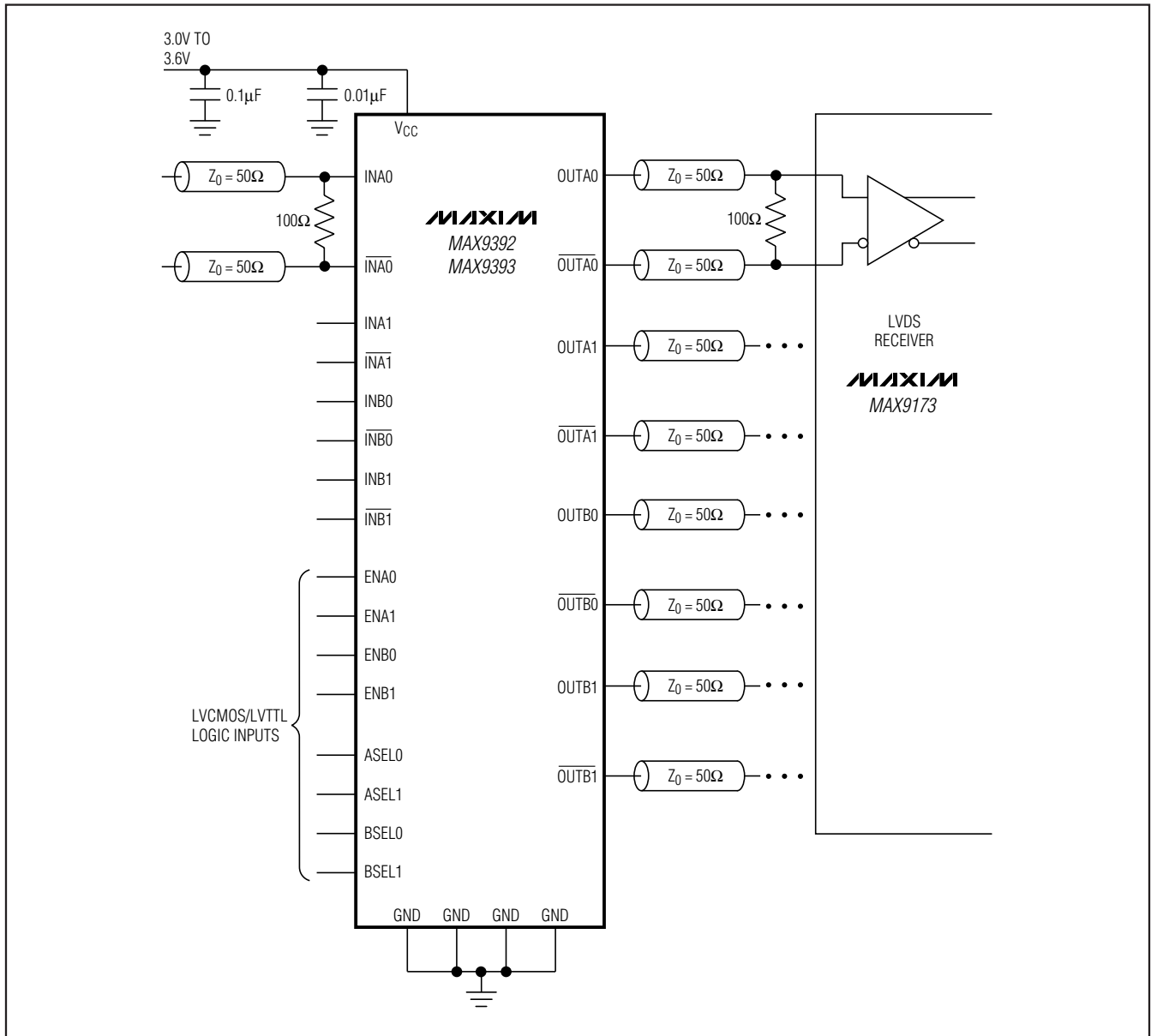


Figure 8. Pull-down Resistor Configuration for LVDS Outputs

Anything-to-LVDS Dual 2 x 2 Crosspoint Switches

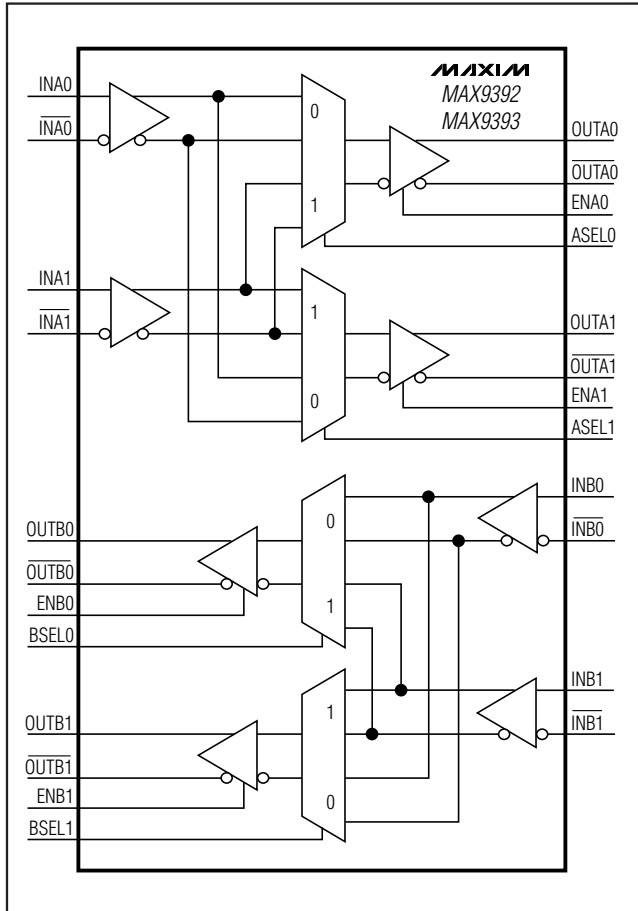
Typical Operating Circuit

MAX9392/MAX9393



Anything-to-LVDS Dual 2 x 2 Crosspoint Switches

Functional Diagram



Chip Information

TRANSISTOR COUNT: 1565

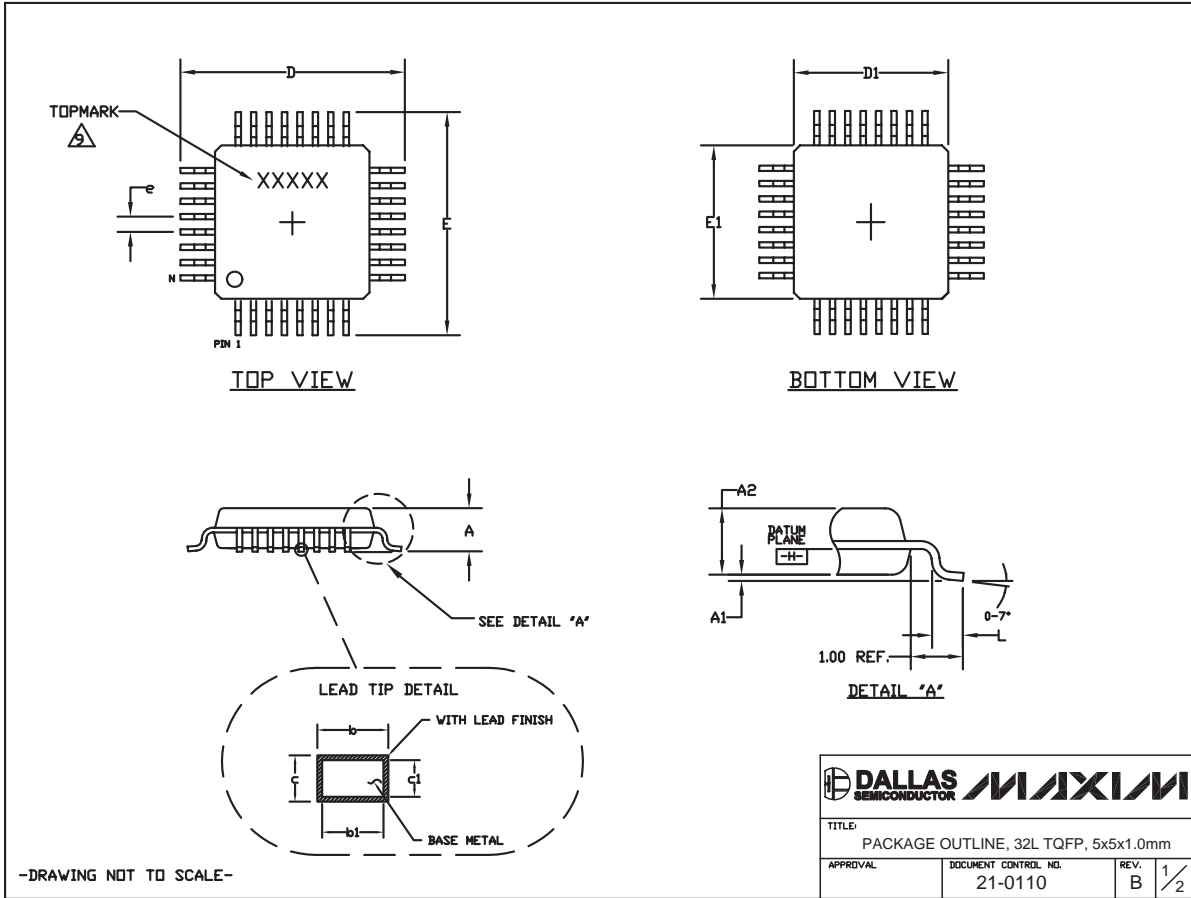
PROCESS: BIPOLAR

Anything-to-LVDS Dual 2 x 2 Crosspoint Switches

Package Information

(The package drawing(s) in this data sheet may not reflect the most current specifications. For the latest package outline information go to www.maxim-ic.com/packages.)

MAX9392/MAX9393



Anything-to-LVDS Dual 2 x 2 Crosspoint Switches

Package Information (continued)

(The package drawing(s) in this data sheet may not reflect the most current specifications. For the latest package outline information go to www.maxim-ic.com/packages.)

<p>NOTES:</p> <ol style="list-style-type: none"> 1. ALL DIMENSIONING AND TOLERANCING CONFORM TO ANSI Y14.5-1982. 2. DATUM PLANE \square IS LOCATED AT MOLD PARTING LINE AND COINCIDENT WITH LEAD, WHERE LEAD EXITS PLASTIC BODY AT BOTTOM OF PARTING LINE. 3. DIMENSIONS D1 AND E1 DO NOT INCLUDE MOLD PROTRUSION. ALLOWABLE MOLD PROTRUSION IS 0.25 MM ON D1 AND E1 DIMENSIONS. 4. THE TOP OF PACKAGE IS SMALLER THAN THE BOTTOM OF PACKAGE BY 0.15 MILLIMETERS. 5. DIMENSION b DOES NOT INCLUDE DAMBAR PROTRUSION. ALLOWABLE DAMBAR PROTRUSION SHALL BE 0.08 MM TOTAL IN EXCESS OF THE b DIMENSION AT MAXIMUM MATERIAL CONDITION. 6. ALL DIMENSIONS ARE IN MILLIMETERS. 7. THIS OUTLINE CONFORMS TO JEDEC PUBLICATION 95, REGISTRATION MS-026. 8. LEADS SHALL BE COPLANAR WITHIN .004 INCH. 9. TOPMARK SHOWN IS FOR PACKAGE ORIENTATION REFERENCE ONLY. 																																															
<p>JEDEC VARIATIONS DIMENSIONS IN MILLIMETERS</p>																																															
<p>AAA</p>																																															
<p>5x5x1.0 MM</p>																																															
<table border="1" style="width: 100%; border-collapse: collapse;"> <thead> <tr> <th style="width: 10%;"></th> <th style="width: 45%;">MIN.</th> <th style="width: 45%;">MAX.</th> </tr> </thead> <tbody> <tr> <td>A</td> <td>$\sqrt{}$</td> <td>1.20</td> </tr> <tr> <td>A₁</td> <td>0.05</td> <td>0.15</td> </tr> <tr> <td>A₂</td> <td>0.95</td> <td>1.05</td> </tr> <tr> <td>D</td> <td>6.80</td> <td>7.20</td> </tr> <tr> <td>D₁</td> <td>4.80</td> <td>5.20</td> </tr> <tr> <td>E</td> <td>6.80</td> <td>7.20</td> </tr> <tr> <td>E₁</td> <td>4.80</td> <td>5.20</td> </tr> <tr> <td>L</td> <td>0.45</td> <td>0.75</td> </tr> <tr> <td>N</td> <td colspan="2" style="text-align: center;">32</td> </tr> <tr> <td>e</td> <td colspan="2" style="text-align: center;">0.50 BSC.</td> </tr> <tr> <td>b</td> <td>0.17</td> <td>0.27</td> </tr> <tr> <td>b₁</td> <td>0.17</td> <td>0.23</td> </tr> <tr> <td>c</td> <td>0.09</td> <td>0.20</td> </tr> <tr> <td>c₁</td> <td>0.09</td> <td>0.16</td> </tr> </tbody> </table>				MIN.	MAX.	A	$\sqrt{}$	1.20	A ₁	0.05	0.15	A ₂	0.95	1.05	D	6.80	7.20	D ₁	4.80	5.20	E	6.80	7.20	E ₁	4.80	5.20	L	0.45	0.75	N	32		e	0.50 BSC.		b	0.17	0.27	b ₁	0.17	0.23	c	0.09	0.20	c ₁	0.09	0.16
	MIN.	MAX.																																													
A	$\sqrt{}$	1.20																																													
A ₁	0.05	0.15																																													
A ₂	0.95	1.05																																													
D	6.80	7.20																																													
D ₁	4.80	5.20																																													
E	6.80	7.20																																													
E ₁	4.80	5.20																																													
L	0.45	0.75																																													
N	32																																														
e	0.50 BSC.																																														
b	0.17	0.27																																													
b ₁	0.17	0.23																																													
c	0.09	0.20																																													
c ₁	0.09	0.16																																													
<p style="text-align: center;">-DRAWING NOT TO SCALE-</p>																																															
<table border="1" style="width: 100%; border-collapse: collapse;"> <tr> <td colspan="3" style="text-align: center;"> </td> </tr> <tr> <td colspan="3" style="text-align: center;"> <p>TITLE: PACKAGE OUTLINE, 32L TQFP, 5x5x1.0mm</p> </td> </tr> <tr> <td style="width: 33%;"> <p>APPROVAL</p> </td> <td style="width: 33%;"> <p>DOCUMENT CONTROL NO. 21-0110</p> </td> <td style="width: 33%;"> <p>REV. B 2/2</p> </td> </tr> </table>						<p>TITLE: PACKAGE OUTLINE, 32L TQFP, 5x5x1.0mm</p>			<p>APPROVAL</p>	<p>DOCUMENT CONTROL NO. 21-0110</p>	<p>REV. B 2/2</p>																																				
<p>TITLE: PACKAGE OUTLINE, 32L TQFP, 5x5x1.0mm</p>																																															
<p>APPROVAL</p>	<p>DOCUMENT CONTROL NO. 21-0110</p>	<p>REV. B 2/2</p>																																													

Revision History

Pages changed at Rev 1: 1-4, 6, 8, 10-14

Maxim cannot assume responsibility for use of any circuitry other than circuitry entirely embodied in a Maxim product. No circuit patent licenses are implied. Maxim reserves the right to change the circuitry and specifications without notice at any time.

14 **Maxim Integrated Products, 120 San Gabriel Drive, Sunnyvale, CA 94086 408-737-7600**



Компания «ЭлектроПласт» предлагает заключение долгосрочных отношений при поставках импортных электронных компонентов на взаимовыгодных условиях!

Наши преимущества:

- Оперативные поставки широкого спектра электронных компонентов отечественного и импортного производства напрямую от производителей и с крупнейших мировых складов;
- Поставка более 17-ти миллионов наименований электронных компонентов;
- Поставка сложных, дефицитных, либо снятых с производства позиций;
- Оперативные сроки поставки под заказ (от 5 рабочих дней);
- Экспресс доставка в любую точку России;
- Техническая поддержка проекта, помощь в подборе аналогов, поставка прототипов;
- Система менеджмента качества сертифицирована по Международному стандарту ISO 9001;
- Лицензия ФСБ на осуществление работ с использованием сведений, составляющих государственную тайну;
- Поставка специализированных компонентов (Xilinx, Altera, Analog Devices, Intersil, Interpoint, Microsemi, Aeroflex, Peregrine, Syfer, Eurofarad, Texas Instrument, Miteq, Cobham, E2V, MA-COM, Hittite, Mini-Circuits, General Dynamics и др.);

Помимо этого, одним из направлений компании «ЭлектроПласт» является направление «Источники питания». Мы предлагаем Вам помощь Конструкторского отдела:

- Подбор оптимального решения, техническое обоснование при выборе компонента;
- Подбор аналогов;
- Консультации по применению компонента;
- Поставка образцов и прототипов;
- Техническая поддержка проекта;
- Защита от снятия компонента с производства.



Как с нами связаться

Телефон: 8 (812) 309 58 32 (многоканальный)

Факс: 8 (812) 320-02-42

Электронная почта: org@eplast1.ru

Адрес: 198099, г. Санкт-Петербург, ул. Калинина, дом 2, корпус 4, литера А.