

N-channel 80 V, 3.5 mΩ typ., 64 A STripFET™ F7 Power MOSFET in a TO-220FP package

Datasheet - production data

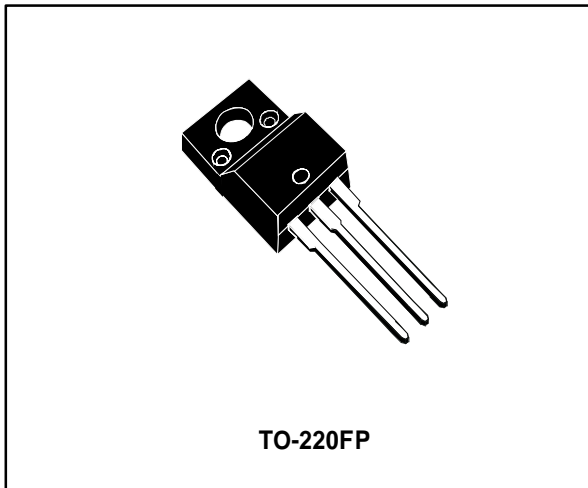
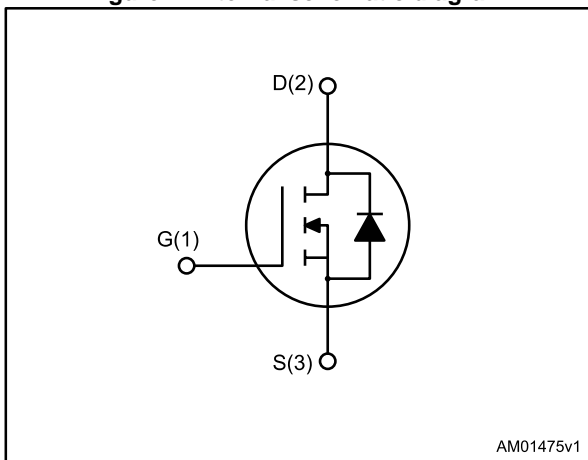


Figure 1: Internal schematic diagram



Features

Order code	V _{DS}	R _{DS(on)} max.	I _D	P _{TOT}
STF140N8F7	80 V	4.3 mΩ	64 A	35 W

- Among the lowest R_{DS(on)} on the market
- Excellent figure of merit (FoM)
- Low C_{rss}/C_{iss} ratio for EMI immunity
- High avalanche ruggedness

Applications

- Switching applications

Description

This N-channel Power MOSFET utilizes STripFET™ F7 technology with an enhanced trench gate structure that results in very low on-state resistance, while also reducing internal capacitance and gate charge for faster and more efficient switching.

Table 1: Device summary

Order code	Marking	Package	Packaging
STF140N8F7	140N8F7	TO-220FP	Tube

Contents

1	Electrical ratings	3
2	Electrical characteristics	4
	2.1 Electrical characteristics (curves).....	5
3	Test circuits	7
4	Package mechanical data	8
	4.1 TO-220FP package information	9
5	Revision history	11

1 Electrical ratings

Table 2: Absolute maximum ratings

Symbol	Parameter	Value	Unit
V_{DS}	Drain-source voltage	80	V
V_{GS}	Gate-source voltage	± 20	V
I_D	Drain current (continuous) at $T_C = 25\text{ }^\circ\text{C}$	64 ⁽¹⁾	A
I_D	Drain current (continuous) at $T_C = 100\text{ }^\circ\text{C}$	45 ⁽¹⁾	A
$I_{DM}^{(2)}$	Drain current (pulsed)	256	A
P_{TOT}	Total dissipation at $T_C = 25\text{ }^\circ\text{C}$	35	W
$E_{AS}^{(3)}$	Single pulse avalanche energy	515	mJ
V_{ISO}	Insulation withstand voltage (RMS) from all three leads to external heat sink ($t = 1\text{ s}$, $T_C = 25\text{ }^\circ\text{C}$)	2.5	kV
T_j	Operating junction temperature	-55 to 175	$^\circ\text{C}$
T_{stg}	Storage temperature		

Notes:

⁽¹⁾Limited by package.

⁽²⁾Pulse width is limited by safe operating area.

⁽³⁾Starting $T_j = 25\text{ }^\circ\text{C}$, $I_D = 18.5\text{ A}$, $V_{DD} = 50\text{ V}$

Table 3: Thermal data

Symbol	Parameter	Value	Unit
$R_{thj-case}$	Thermal resistance junction-case	4.29	$^\circ\text{C/W}$
$R_{thj-amb}$	Thermal resistance junction-ambient	62.5	$^\circ\text{C/W}$

2 Electrical characteristics

(T_{CASE} = 25 °C unless otherwise specified)

Table 4: On/off states

Symbol	Parameter	Test conditions	Min.	Typ.	Max.	Unit
V _{(BR)DSS}	Drain-source breakdown voltage	V _{GS} = 0, I _D = 250 μA	80			V
I _{DSS}	Zero gate voltage Drain current	V _{GS} = 0, V _{DS} = 80 V			1	μA
		V _{GS} = 0, V _{DS} = 80 V, T _J = 125 °C			10	μA
I _{GSS}	Gate-source leakage current	V _{DS} = 0, V _{GS} = ±20 V			±100	nA
V _{GS(th)}	Gate threshold voltage	V _{DS} = V _{GS} , I _D = 250 μA	2.5		4.5	V
R _{DS(on)}	Static drain-source on-resistance	V _{GS} = 10 V, I _D = 32 A		3.5	4.3	mΩ

Table 5: Dynamic

Symbol	Parameter	Test conditions	Min.	Typ.	Max.	Unit
C _{iss}	Input capacitance	V _{GS} = 0, V _{DS} = 40 V, f = 1 MHz	-	6340	-	pF
C _{oss}	Output capacitance		-	1195	-	pF
C _{rss}	Reverse transfer capacitance		-	105	-	pF
Q _g	Total gate charge	V _{DD} = 40 V, I _D = 64 A, V _{GS} = 10 V	-	96	-	nC
Q _{gs}	Gate-source charge		-	30	-	nC
Q _{gd}	Gate-drain charge		-	26	-	nC

Table 6: Switching times

Symbol	Parameter	Test conditions	Min.	Typ.	Max.	Unit
t _{d(on)}	Turn-on delay time	V _{DD} = 40 V, I _D = 45 A R _G = 4.7 Ω, V _{GS} = 10 V	-	26	-	ns
t _r	Rise time		-	51	-	ns
t _{d(off)}	Turn-off-delay time		-	82	-	ns
t _f	Fall time		-	44	-	ns

Table 7: Source drain diode

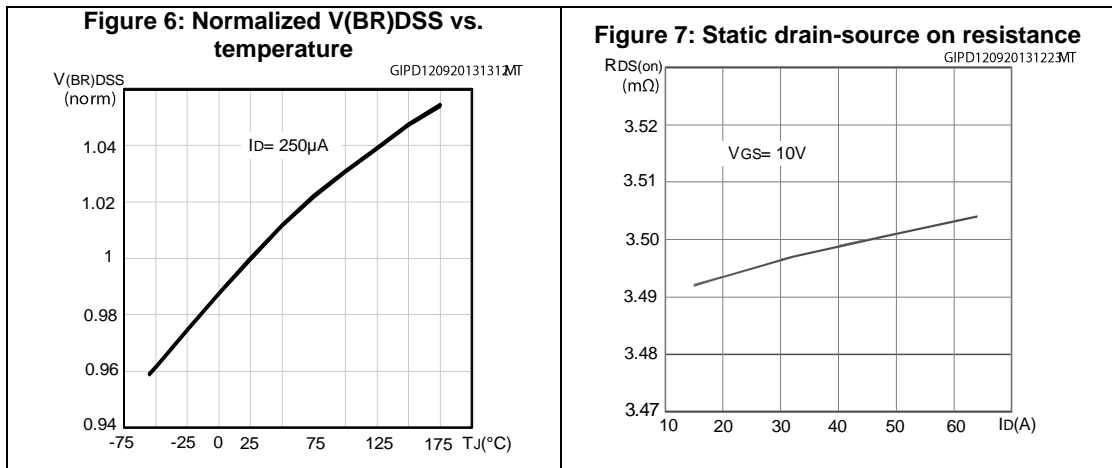
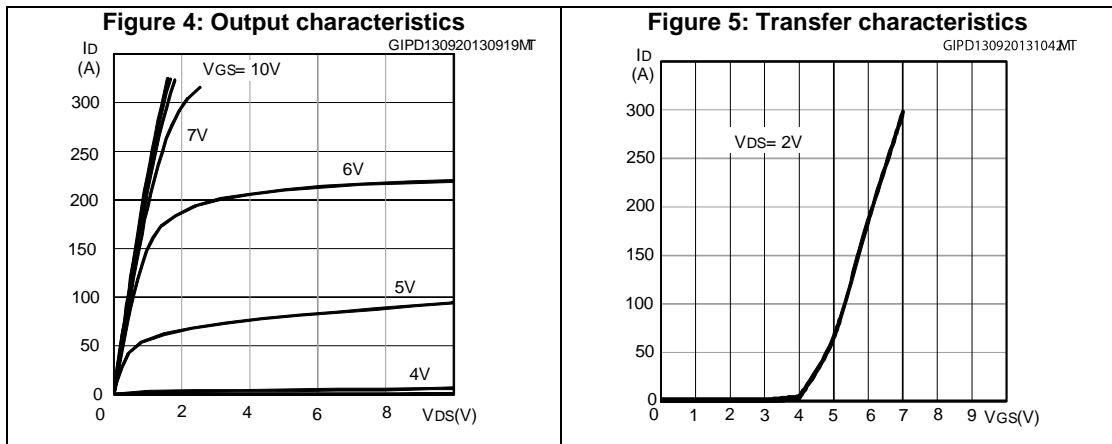
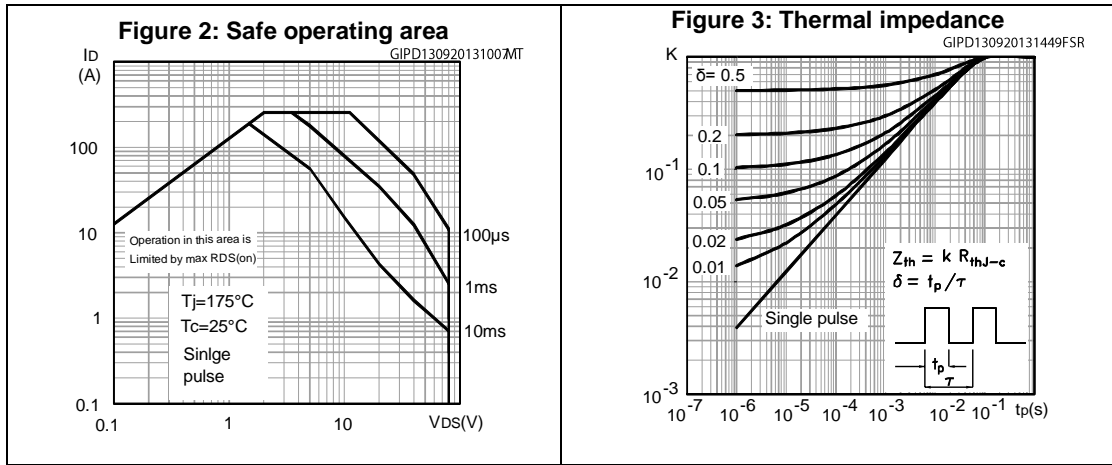
Symbol	Parameter	Test conditions	Min.	Typ.	Max.	Unit
I _{SD}	Source-drain current		-		64	A
I _{SDM} ⁽¹⁾	Source-drain current (pulsed)		-		256	A
V _{SD} ⁽²⁾	Forward on voltage	V _{GS} = 0, I _{SD} = 64 A	-		1.2	V
t _{rr}	Reverse recovery time	I _{SD} = 64 A, di/dt = 100 A/μs, V _{DD} = 60 V, T _J = 150 °C	-	58		ns
Q _{rr}	Reverse recovery charge		-	92		nC
I _{RRM}	Reverse recovery current		-	3.2		A

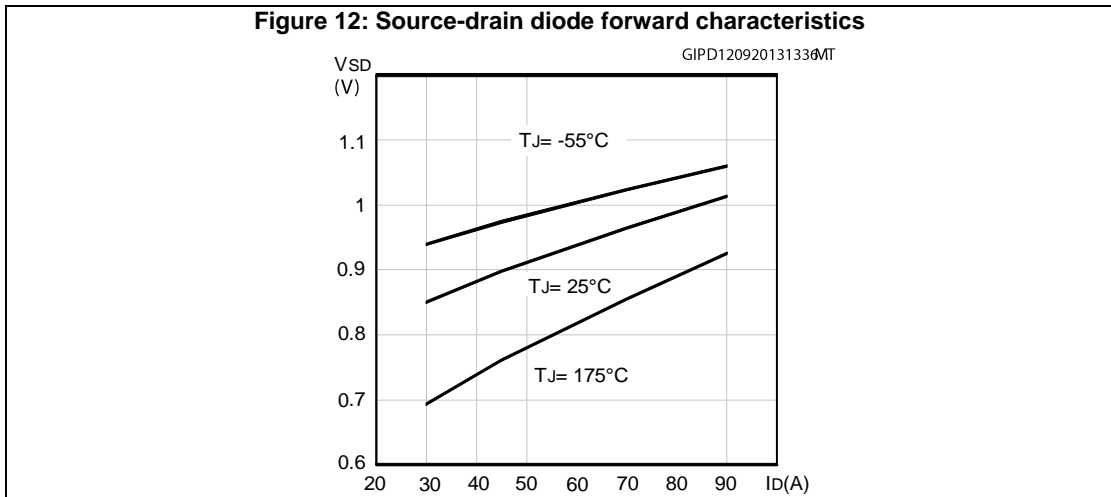
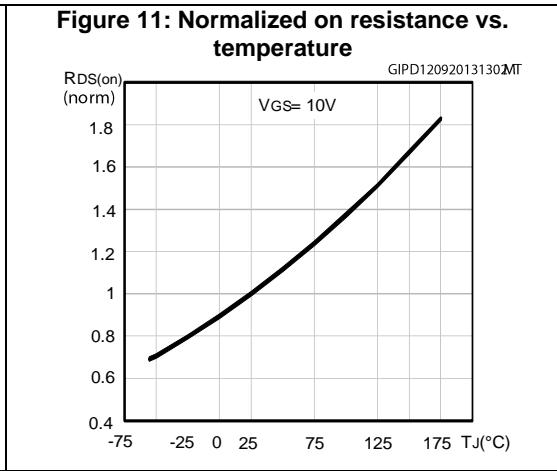
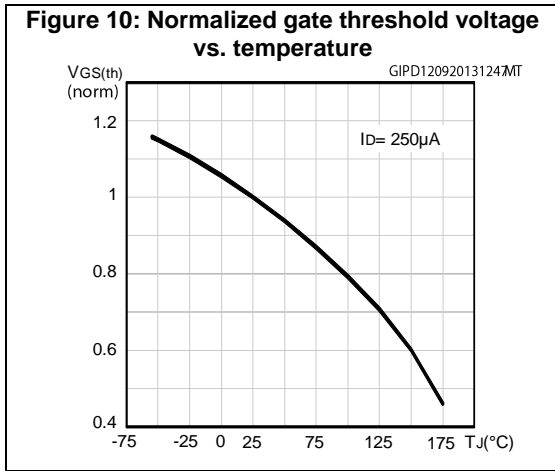
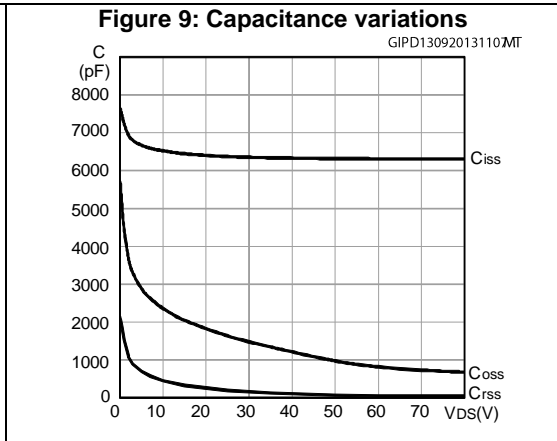
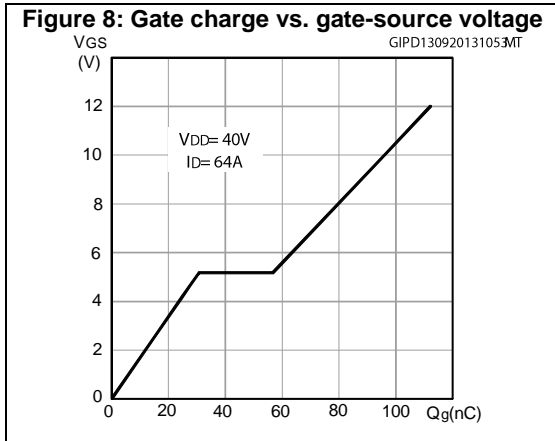
Notes:

⁽¹⁾Pulse width is limited by safe operating area

⁽²⁾Pulse test: pulse duration = 300 μs, duty cycle 1.5%

2.1 Electrical characteristics (curves)





3 Test circuits

Figure 13: Switching times test circuit for resistive load

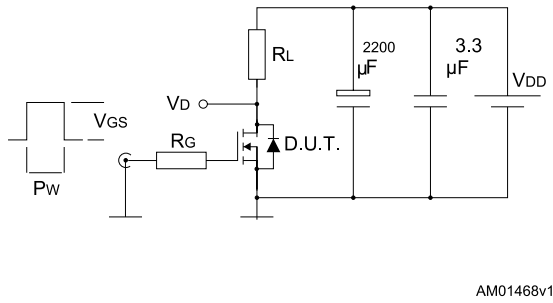


Figure 14: Gate charge test circuit

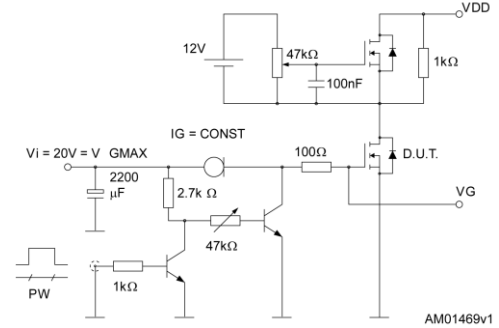


Figure 15: Test circuit for inductive load switching and diode recovery times

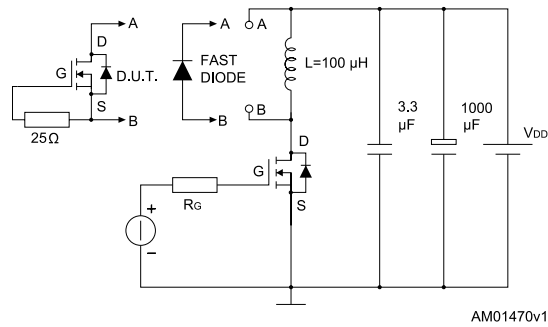


Figure 16: Unclamped inductive load test circuit

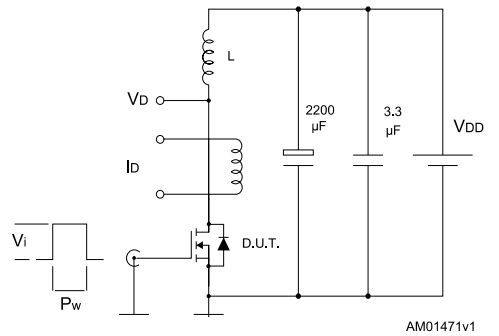


Figure 17: Unclamped inductive waveform

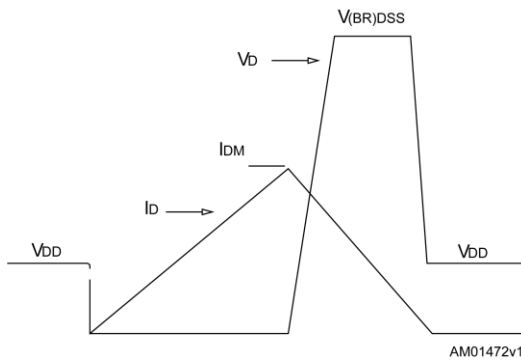
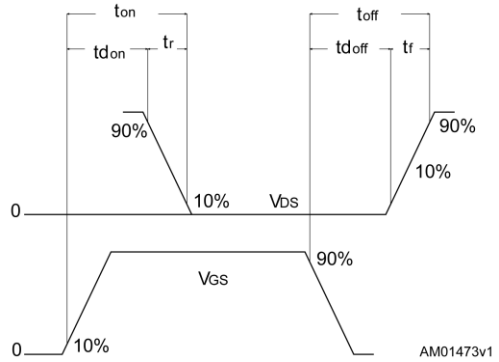


Figure 18: Switching time waveform

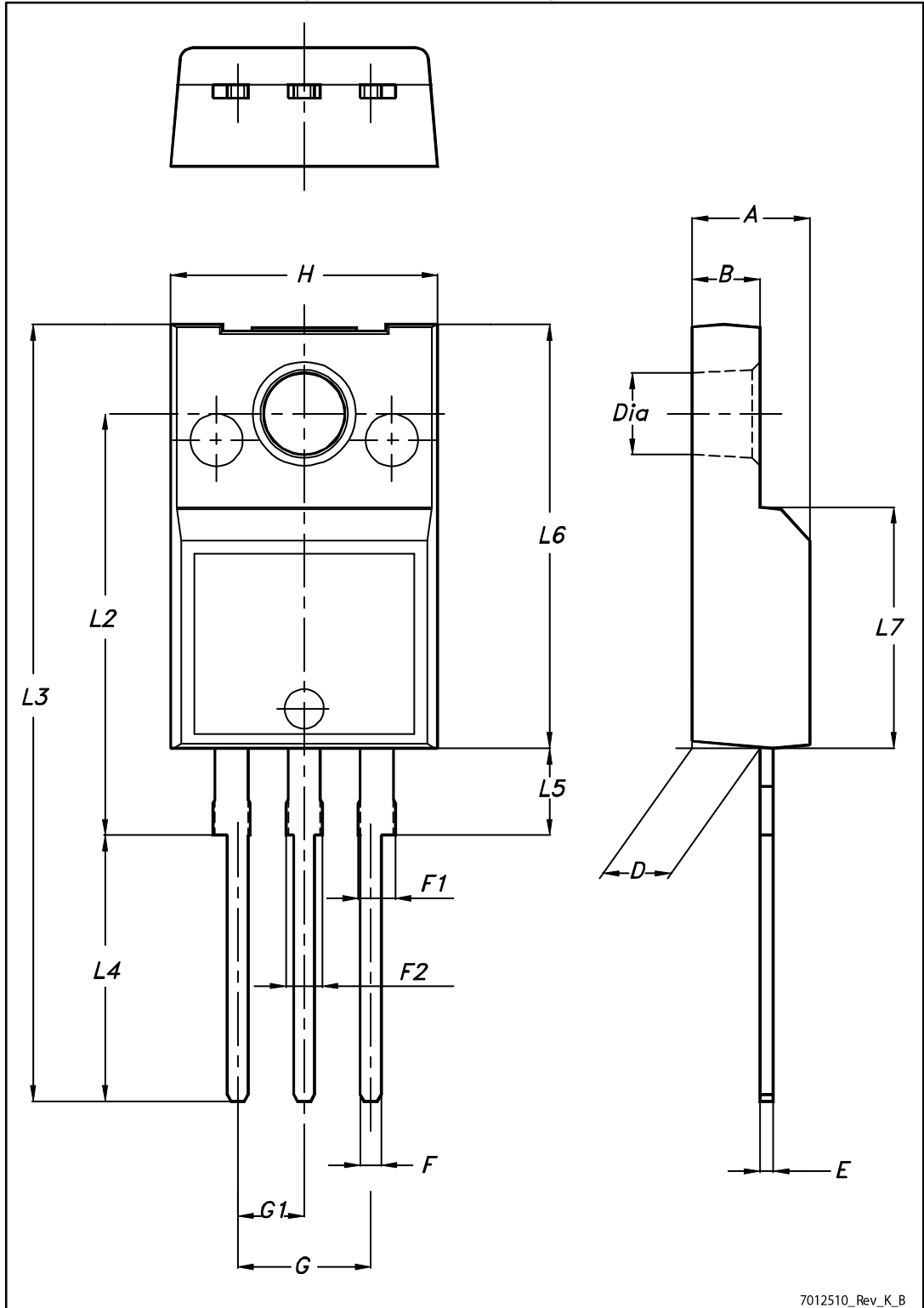


4 Package mechanical data

In order to meet environmental requirements, ST offers these devices in different grades of ECOPACK® packages, depending on their level of environmental compliance. ECOPACK® specifications, grade definitions and product status are available at: www.st.com. ECOPACK® is an ST trademark.

4.1 TO-220FP package information

Figure 19: TO-220FP package outline



7012510_Rev_K_B

Table 8: TO-220FP mechanical data

Dim.	mm		
	Min.	Typ.	Max.
A	4.4		4.6
B	2.5		2.7
D	2.5		2.75
E	0.45		0.7
F	0.75		1
F1	1.15		1.70
F2	1.15		1.70
G	4.95		5.2
G1	2.4		2.7
H	10		10.4
L2		16	
L3	28.6		30.6
L4	9.8		10.6
L5	2.9		3.6
L6	15.9		16.4
L7	9		9.3
Dia	3		3.2

5 Revision history

Table 9: Document revision history

Date	Revision	Changes
18-Sep-2013	1	First release.
22-Aug-2014	2	<ul style="list-style-type: none">• The part numbers STH140N8F7-2 and STP140N8F7 have been moved to a separate datasheet.• Modified: not found• Minor text changes
10-Oct-2014	3	<ul style="list-style-type: none">• Updated <i>Figure 3: "Thermal impedance"</i>

IMPORTANT NOTICE – PLEASE READ CAREFULLY

STMicroelectronics NV and its subsidiaries ("ST") reserve the right to make changes, corrections, enhancements, modifications, and improvements to ST products and/or to this document at any time without notice. Purchasers should obtain the latest relevant information on ST products before placing orders. ST products are sold pursuant to ST's terms and conditions of sale in place at the time of order acknowledgement.

Purchasers are solely responsible for the choice, selection, and use of ST products and ST assumes no liability for application assistance or the design of Purchasers' products.

No license, express or implied, to any intellectual property right is granted by ST herein.

Resale of ST products with provisions different from the information set forth herein shall void any warranty granted by ST for such product.

ST and the ST logo are trademarks of ST. All other product or service names are the property of their respective owners.

Information in this document supersedes and replaces information previously supplied in any prior versions of this document.

© 2014 STMicroelectronics – All rights reserved



Компания «ЭлектроПласт» предлагает заключение долгосрочных отношений при поставках импортных электронных компонентов на взаимовыгодных условиях!

Наши преимущества:

- Оперативные поставки широкого спектра электронных компонентов отечественного и импортного производства напрямую от производителей и с крупнейших мировых складов;
- Поставка более 17-ти миллионов наименований электронных компонентов;
- Поставка сложных, дефицитных, либо снятых с производства позиций;
- Оперативные сроки поставки под заказ (от 5 рабочих дней);
- Экспресс доставка в любую точку России;
- Техническая поддержка проекта, помощь в подборе аналогов, поставка прототипов;
- Система менеджмента качества сертифицирована по Международному стандарту ISO 9001;
- Лицензия ФСБ на осуществление работ с использованием сведений, составляющих государственную тайну;
- Поставка специализированных компонентов (Xilinx, Altera, Analog Devices, Intersil, Interpoint, Microsemi, Aeroflex, Peregrine, Syfer, Eurofarad, Texas Instrument, Miteq, Cobham, E2V, MA-COM, Hittite, Mini-Circuits, General Dynamics и др.);

Помимо этого, одним из направлений компании «ЭлектроПласт» является направление «Источники питания». Мы предлагаем Вам помощь Конструкторского отдела:

- Подбор оптимального решения, техническое обоснование при выборе компонента;
- Подбор аналогов;
- Консультации по применению компонента;
- Поставка образцов и прототипов;
- Техническая поддержка проекта;
- Защита от снятия компонента с производства.



Как с нами связаться

Телефон: 8 (812) 309 58 32 (многоканальный)

Факс: 8 (812) 320-02-42

Электронная почта: org@eplast1.ru

Адрес: 198099, г. Санкт-Петербург, ул. Калинина, дом 2, корпус 4, литера А.