

Voltage Detector (Reset) IC Series for Automotive Application

# Free Time Delay Setting CMOS Voltage Detector (Reset) IC

## BD52xx-2M Series and BD53xx-2M Series

### General Description

ROHM's BD52xx-2M and BD53xx-2M series are highly accurate, low current consumption Voltage Detector ICs with a capacitor controlled time delay. The lineup includes N-channel open drain output (BD52xx-2M) and CMOS output (BD53xx-2M) so that the users can select depending on the application. The devices are available for specific detection voltage ranging from 0.9V to 5.0V with 0.1V increment.

The time delay has  $\pm 30\%$  accuracy in the overall operating temperature range of  $-40^{\circ}\text{C}$  to  $105^{\circ}\text{C}$ .

### Special Features

- AEC-Q100 Qualified (Note1)
- Nano Energy
- Delay Time Setting controlled by external capacitor
- Two output types (Nch open drain and CMOS output)
- Very small, lightweight and thin package
- Package SSOP5 is similar to SOT-23-5 (JEDEC) (Note1: Grade 1)

### Key Specifications

- Detection Voltage: 0.9V to 5.0V (Typ.)  
0.1V step
- Ultra-Low Current Consumption: 270nA (Typ.)
- Time Delay Accuracy:  $\pm 30\%$  ( $-40^{\circ}\text{C}$  to  $+105^{\circ}\text{C}$ , )  
(CT pin capacitor  $\geq 1\text{nF}$ )

### Special Characteristics

- Detection Voltage Accuracy:  
 $\pm 2.0\% \pm 12\text{mV}$  ( $V_{\text{DET}}=0.9\text{V}$  to  $1.6\text{V}$ )  
 $\pm 2.5\%$  ( $V_{\text{DET}}=1.7\text{V}$  to  $5.0\text{V}$ )

### Package

SSOP5:  W(typ) x D(typ) x H(max)  
2.90mm x 2.80mm x 1.25mm

### Application

- Automotive (audio system, navigation system, etc.)

### Application Circuit



Figure 1. Open Drain Output Type  
BD52xx-2M Series



Figure 2. CMOS Output Type  
BD53xx-2M Series

### Pin Configuration

#### SSOP5

#### TOP VIEW



### Pin Description

SSOP5		
PIN No.	Symbol	Function
1	VOUT	Output pin
2	VDD	Power supply voltage
3	GND	GND
4	N.C.	No connection pin
5	CT	Capacitor connection pin for output delay time setting

N.C. pin is electrically open and can be connected to either VDD or GND.

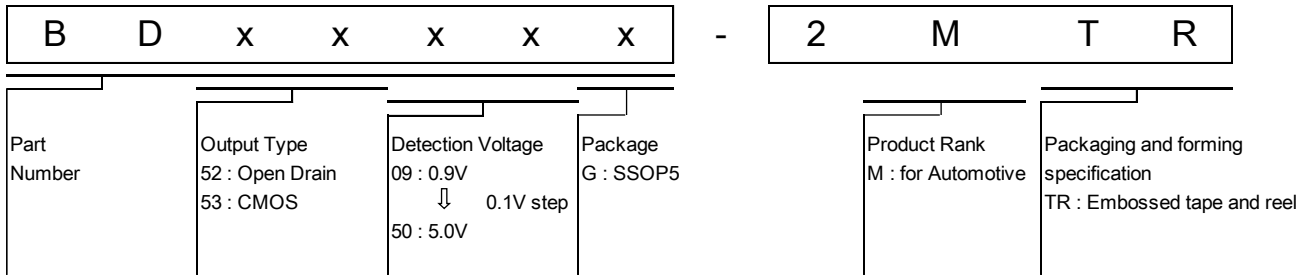
Nano Energy is a combination of technologies which realizes ultra low quiescent current operation.

○Product structure : Silicon monolithic integrated circuit ○This product has no designed protection against radioactive rays

www.rohm.com

© 2017 ROHM Co., Ltd. All rights reserved.  
TSZ22111 · 14 · 001

Ordering Information



Lineup

Output Type	Open Drain		CMOS	
Detection Voltage	Marking	Part Number	Marking	Part Number
5.0V	1Z	BD5250	90	BD5350
4.9V	1Y	BD5249	89	BD5349
4.8V	1X	BD5248	88	BD5348
4.7V	1W	BD5247	87	BD5347
4.6V	1V	BD5246	86	BD5346
4.5V	1U	BD5245	85	BD5345
4.4V	1T	BD5244	84	BD5344
4.3V	1S	BD5243	83	BD5343
4.2V	1R	BD5242	82	BD5342
4.1V	1Q	BD5241	81	BD5341
4.0V	1P	BD5240	80	BD5340
3.9V	1N	BD5239	79	BD5339
3.8V	08	BD5238	78	BD5338
3.7V	07	BD5237	77	BD5337
3.6V	06	BD5236	76	BD5336
3.5V	05	BD5235	75	BD5335
3.4V	04	BD5234	74	BD5334
3.3V	03	BD5233	73	BD5333
3.2V	02	BD5232	72	BD5332
3.1V	01	BD5231	71	BD5331
3.0V	5G	BD5230	70	BD5330
2.9V	Z9	BD5229	69	BD5329
2.8V	Z8	BD5228	68	BD5328
2.7V	Z7	BD5227	67	BD5327
2.6V	XS	BD5226	66	BD5326
2.5V	XR	BD5225	65	BD5325
2.4V	24	BD5224	64	BD5324
2.3V	23	BD5223	63	BD5323
2.2V	22	BD5222	62	BD5322
2.1V	21	BD5221	61	BD5321
2.0V	20	BD5220	60	BD5320
1.9V	19	BD5219	59	BD5319
1.8V	18	BD5218	58	BD5318
1.7V	17	BD5217	57	BD5317
1.6V	16	BD5216	56	BD5316
1.5V	15	BD5215	55	BD5315
1.4V	14	BD5214	54	BD5314
1.3V	13	BD5213	53	BD5313
1.2V	12	BD5212	52	BD5312
1.1V	11	BD5211	51	BD5311
1.0V	10	BD5210	5F	BD5310
0.9V	09	BD5209	5E	BD5309

**Absolute Maximum Ratings (Ta=+25°C)**

Parameter		Symbol	Limit	Unit
Power Supply Voltage		V <sub>DD-GND</sub>	-0.3 to +7	V
Output Voltage	Nch Open Drain Output	V <sub>OUT</sub>	GND-0.3 to +7	V
	CMOS Output		GND-0.3 to V <sub>DD</sub> +0.3	
Output Current		I <sub>o</sub>	70	mA
Operating Temperature Range		T <sub>opr</sub>	-40 to +105	°C
Maximum Junction Temperature		T <sub>jmax</sub>	+150	°C
Storage Temperature Range		T <sub>stg</sub>	-55 to +150	°C

**Caution 1:** Operating the IC over the absolute maximum ratings may damage the IC. The damage can either be a short circuit between pins or an open circuit between pins and the internal circuitry. Therefore, it is important to consider circuit protection measures, such as adding a fuse, in case the IC is operated over the absolute maximum ratings.

**Caution 2:** Should by any chance the maximum junction temperature rating be exceeded the rise in temperature of the chip may result in deterioration of the properties of the chip. In case of exceeding this absolute maximum rating, increase the board size and copper area to prevent exceeding the maximum junction temperature rating.

**Thermal Resistance (Note 1)**

Parameter	Symbol	Thermal Resistance (Typ)		Unit
		1s <sup>(Note 3)</sup>	2s2p <sup>(Note 4)</sup>	
SSOP5				
Junction to Ambient	θ <sub>JA</sub>	376.5	185.4	°C/W
Junction to Top Characterization Parameter <sup>(Note 2)</sup>	Ψ <sub>JT</sub>	40	30	°C/W

(Note 1)Based on JESD51-2A(Still-Air).

(Note 2)The thermal characterization parameter to report the difference between junction temperature and the temperature at the top center of the outside surface of the component package.

(Note 3)Using a PCB board based on JESD51-3.

Layer Number of Measurement Board	Material	Board Size
Single	FR-4	114.3mm x 76.2mm x 1.57mmt
Top		
Copper Pattern	Thickness	
Footprints and Traces	70µm	

(Note 4)Using a PCB board based on JESD51-7.

Layer Number of Measurement Board	Material	Board Size			
4 Layers	FR-4	114.3mm x 76.2mm x 1.6mmt			
Top		2 Internal Layers		Bottom	
Copper Pattern	Thickness	Copper Pattern	Thickness	Copper Pattern	Thickness
Footprints and Traces	70µm	74.2mm x 74.2mm	35µm	74.2mm x 74.2mm	70µm

Electrical Characteristics (Unless otherwise specified Ta=-40°C to +105°C, VDD=0.8V to 6V)

Parameter	Symbol	Condition	Limit			Unit
			Min	Typ	Max	
Detection Voltage	V <sub>DET</sub>	V <sub>DET</sub> =0.9V to 1.6V, V <sub>DD</sub> =H→L, R <sub>L</sub> =100kΩ	V <sub>DET</sub> (T) ×0.98 -0.012	V <sub>DET</sub> (T)	V <sub>DET</sub> (T) ×1.02 +0.012	V
		V <sub>DET</sub> =1.7V to 5.0V, V <sub>DD</sub> =H→L, R <sub>L</sub> =100kΩ	V <sub>DET</sub> (T) ×0.975	V <sub>DET</sub> (T)	V <sub>DET</sub> (T) ×1.025	
Hysteresis Voltage	ΔV <sub>DET</sub>	V <sub>DD</sub> =L→H→L, R <sub>L</sub> =100kΩ	V <sub>DET</sub> ×0.03	V <sub>DET</sub> ×0.05	V <sub>DET</sub> ×0.07	V
Circuit Current when ON	I <sub>DD1</sub>	V <sub>DD</sub> = V <sub>DET</sub> -0.2V	-	0.23	1.00	μA
Circuit Current when OFF	I <sub>DD2</sub>	V <sub>DD</sub> = V <sub>DET</sub> +0.5V	-	0.27	1.10	μA
Operating Voltage Range	V <sub>OPL</sub>	V <sub>OL</sub> ≤0.4V, Ta=-40°C to 105°C, R <sub>L</sub> =100kΩ	0.80	-	-	V
“Low” Output Voltage (Nch)	V <sub>OL</sub>	V <sub>DD</sub> =0.8V, I <sub>SINK</sub> = 0.17mA, V <sub>DET</sub> =0.9V to 1.6V	-	-	0.4	V
		V <sub>DD</sub> =1.2V, I <sub>SINK</sub> = 1.0mA, V <sub>DET</sub> =1.7V to 5.0V	-	-	0.4	
		V <sub>DD</sub> =2.4V, I <sub>SINK</sub> = 2.0mA, V <sub>DET</sub> =2.7V to 5.0V	-	-	0.4	
“High” Output Voltage (Pch)	V <sub>OH</sub>	V <sub>DD</sub> =4.8V, I <sub>SOURCE</sub> =2.0mA, V <sub>DET</sub> (0.9V to 4.2V)	V <sub>DD</sub> -0.4	-	-	V
		V <sub>DD</sub> =6.0V, I <sub>SOURCE</sub> =2.5mA, V <sub>DET</sub> (0.9V to 5.0V)	V <sub>DD</sub> -0.4	-	-	
Output Leak Current (BD52xx)	I <sub>LEAK</sub>	V <sub>DD</sub> = V <sub>DS</sub> =6V	-	-	1.0	μA
Delay Time (L → H)	t <sub>PLH</sub>	V <sub>OUT</sub> =GND→50%, CT=0.01μF Note 1 Note 2	38.9	55.5	72.1	ms

V<sub>DET</sub>(T) : Standard Detection Voltage(0.9V to 5.0V, 0.1V step)

R<sub>L</sub>: Pull-up resistor to be connected between V<sub>OUT</sub> and power supply.

Note 1 t<sub>PLH</sub> : V<sub>DD</sub>=(V<sub>DET</sub>(T)-0.1V) → (V<sub>DET</sub>(T)+0.5V) for V<sub>DET</sub>=0.9V to 1.2V

t<sub>PLH</sub> : V<sub>DD</sub>=(V<sub>DET</sub>(T)-0.5V) → (V<sub>DET</sub>(T)+0.5V) for V<sub>DET</sub>=1.3V to 5.0V

Note 2 CT delay capacitor range: open to 4.7μF.

Block Diagram

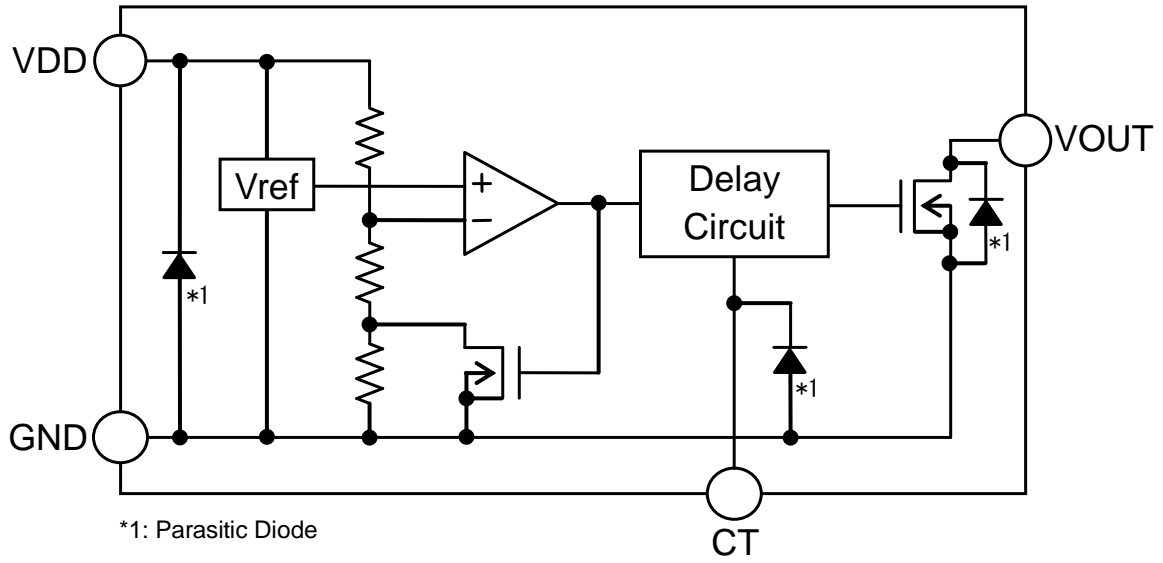


Figure 3. BD52xx-2M Series

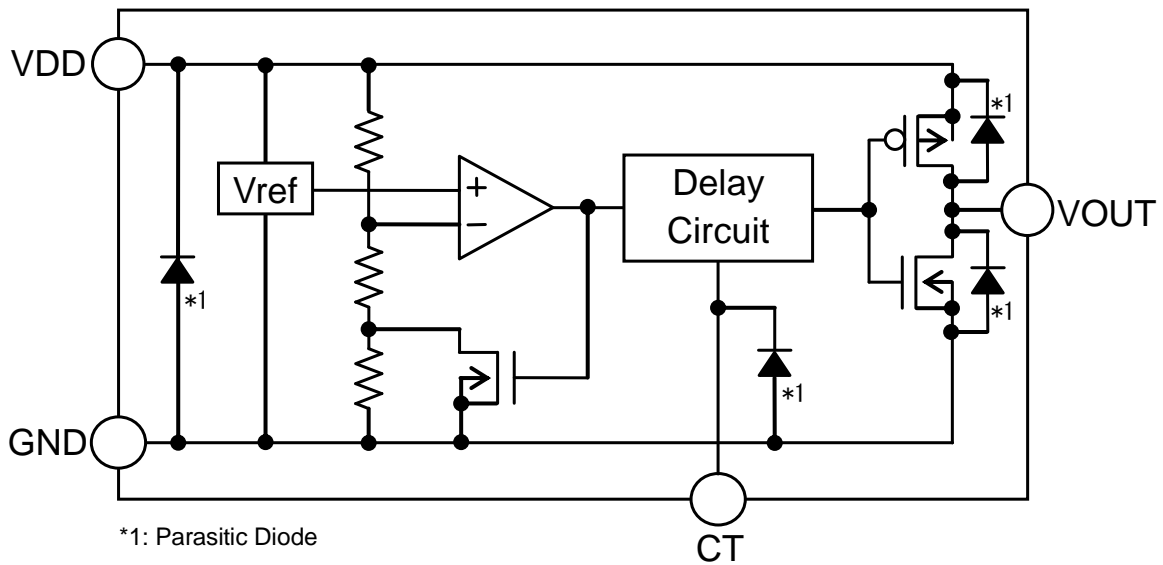


Figure 4. BD53xx-2M Series

Typical Performance Curves



Figure 5. Circuit Current vs.  $V_{DD}$

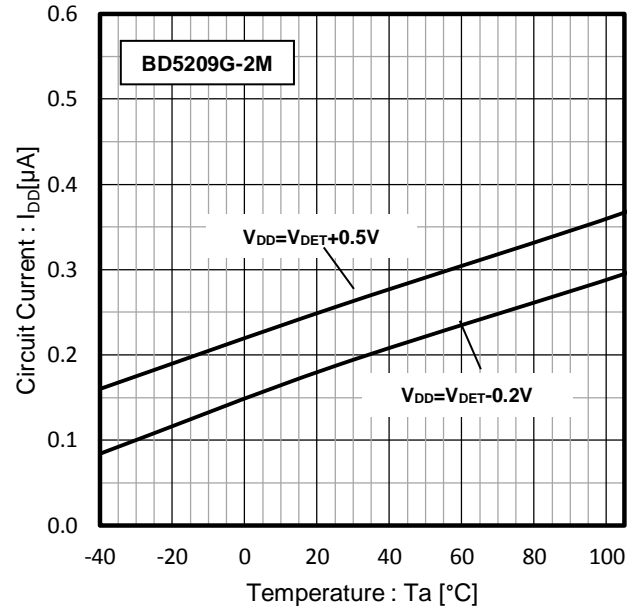


Figure 6. Circuit Current vs. Temp

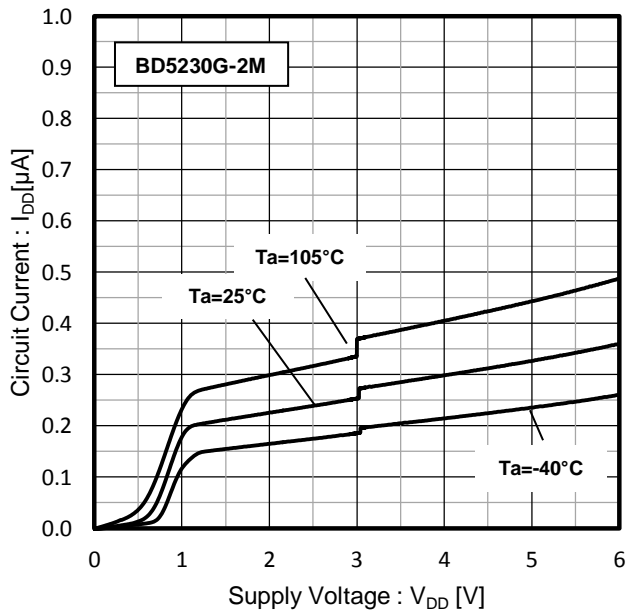


Figure 7. Circuit Current vs.  $V_{DD}$

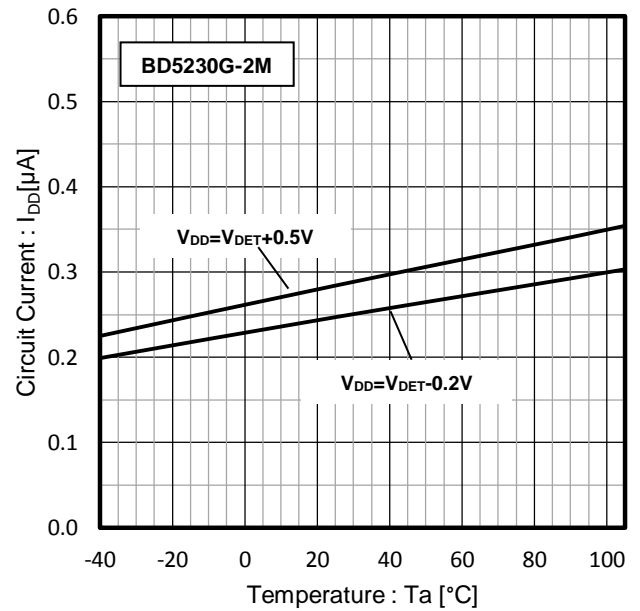


Figure 8. Circuit Current vs. Temp

Typical Performance Curves - continued



Figure 9. Circuit Current vs.  $V_{DD}$



Figure 10. Circuit Current vs. Temp

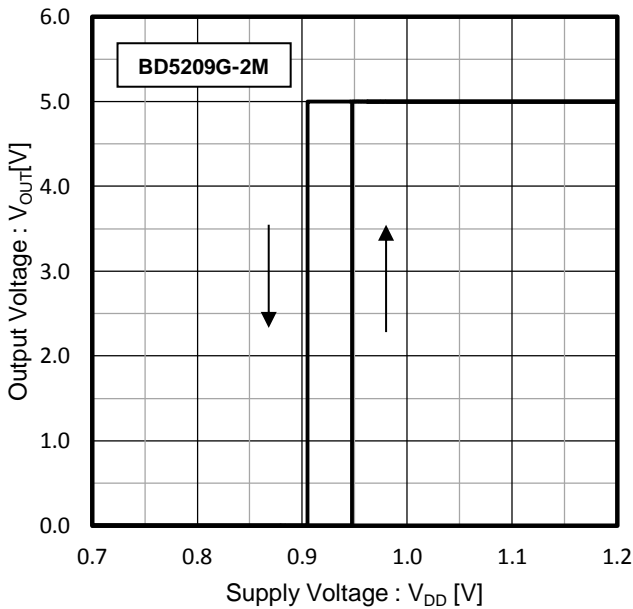


Figure 11. Detection Voltage

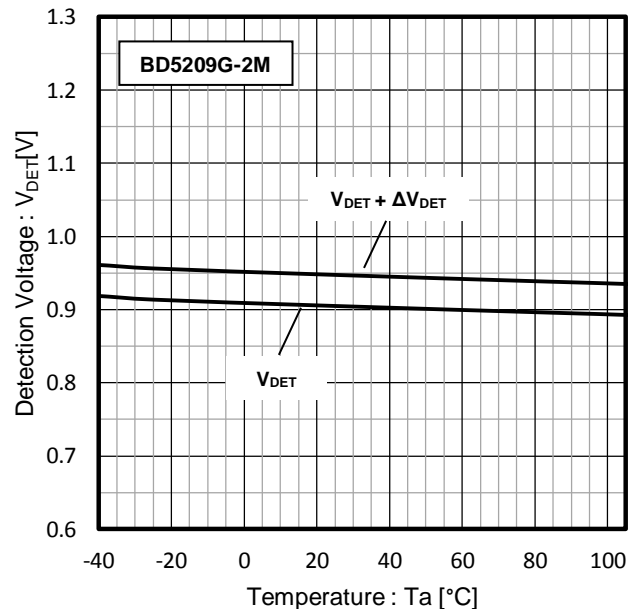


Figure 12. Detection Voltage and Release Voltage

Typical Performance Curves - continued



Figure 13. Detection Voltage



Figure 14. Detection Voltage and Release Voltage

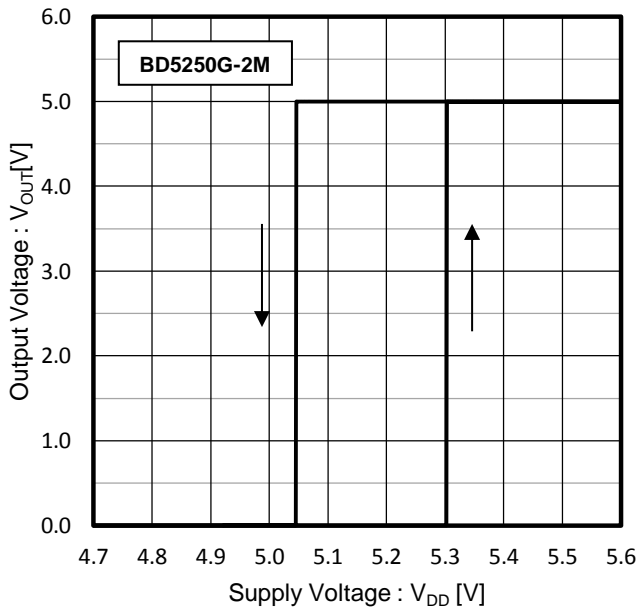


Figure 15. Detection Voltage



Figure 16. Detection Voltage and Release Voltage



Typical Performance Curves - continued

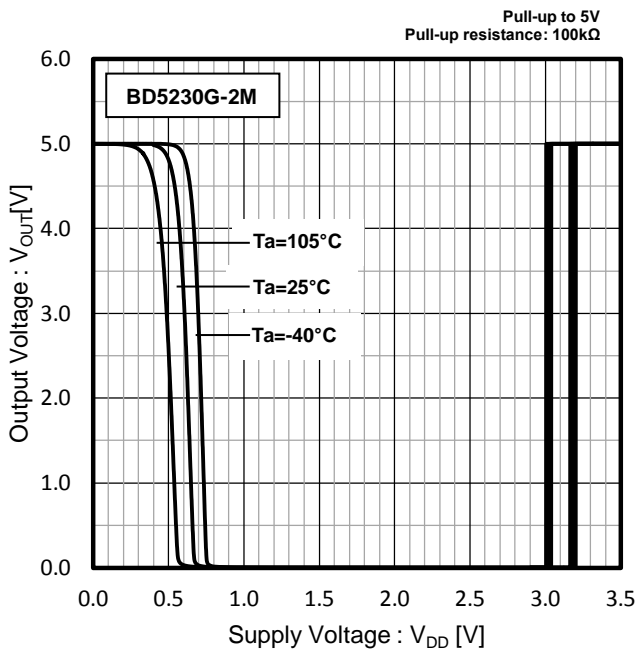


Figure 17. I/O Characteristics

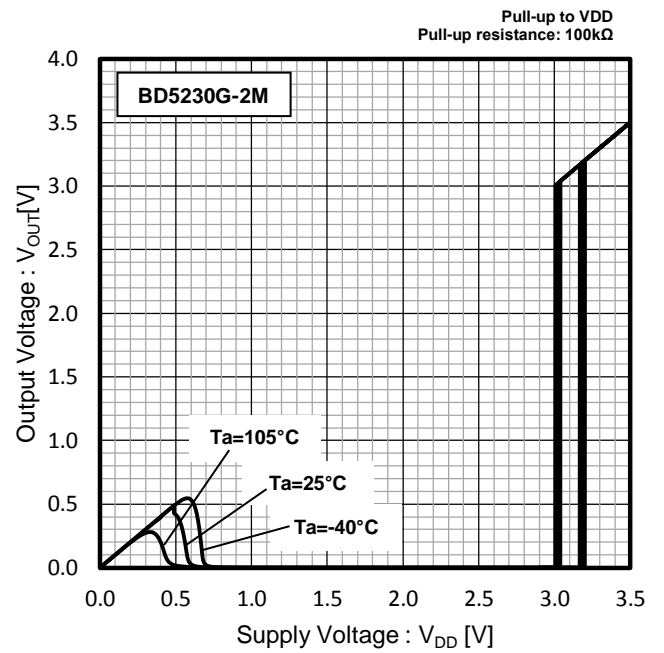


Figure 18. I/O Characteristics

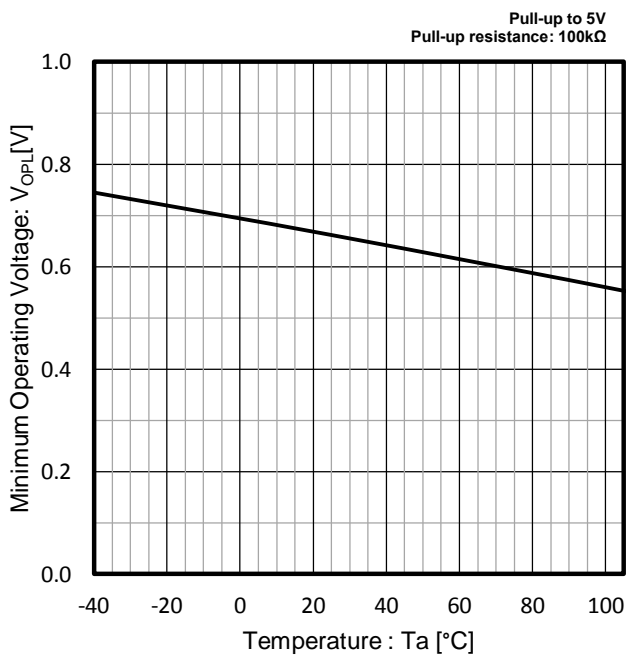


Figure 19. Operating Limit Voltage

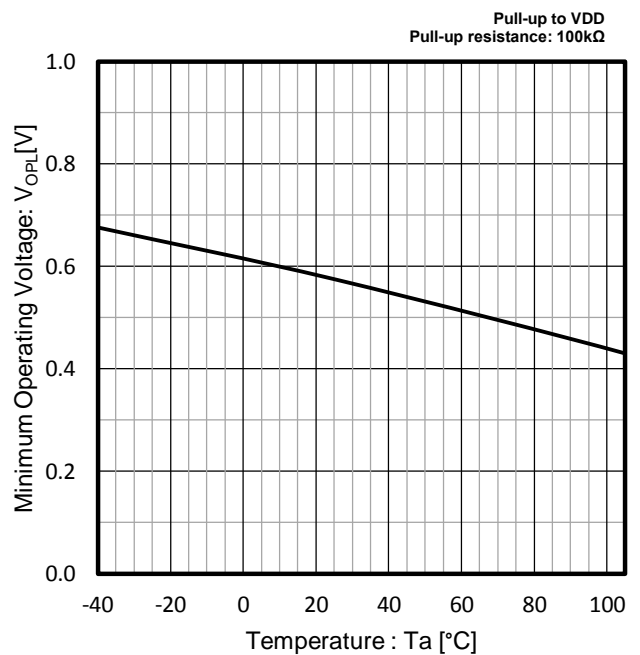


Figure 20. Operating Limit Voltage

Typical Performance Curves - continued

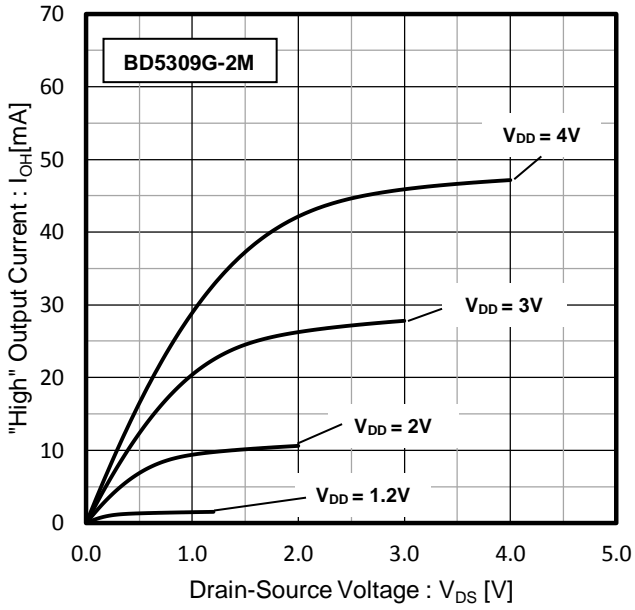


Figure 21. "High" Output Current

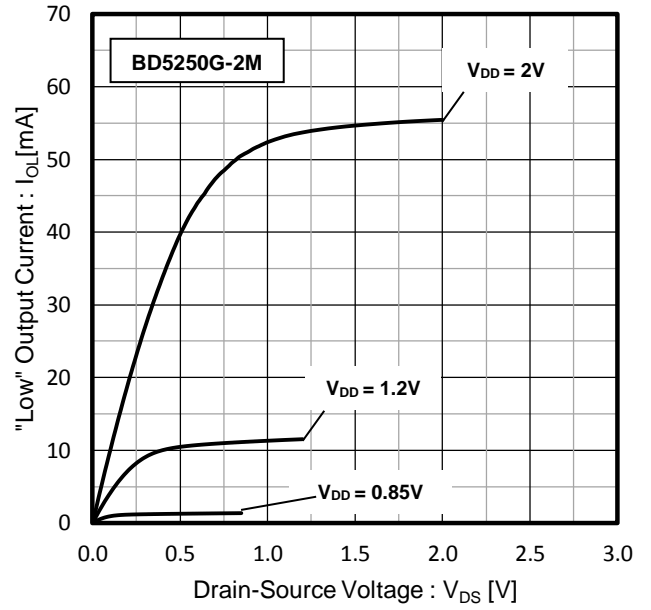


Figure 22. "Low" Output Current

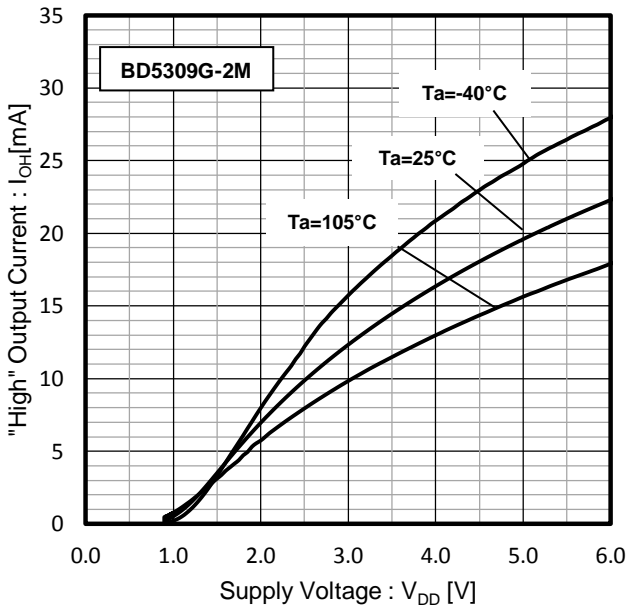


Figure 23. "High" Output Current ( $V_{DS}=0.5V$ )

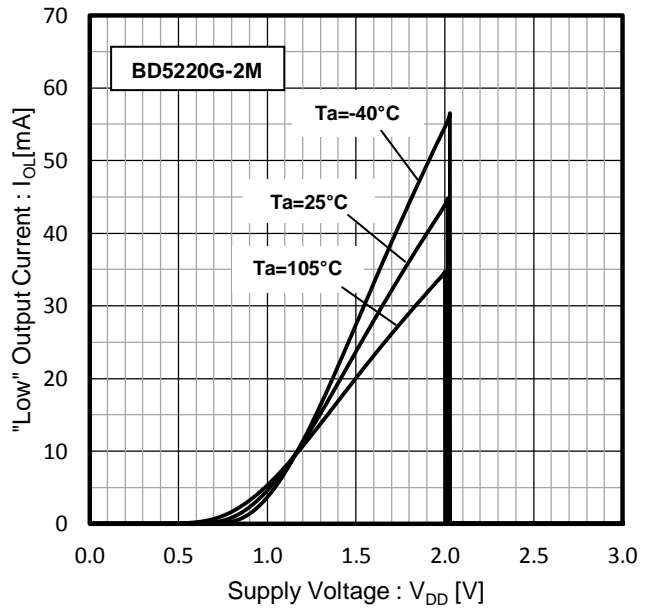


Figure 24. "Low" Output Current ( $V_{DS}=0.5V$ )

Typical Performance Curves - continued

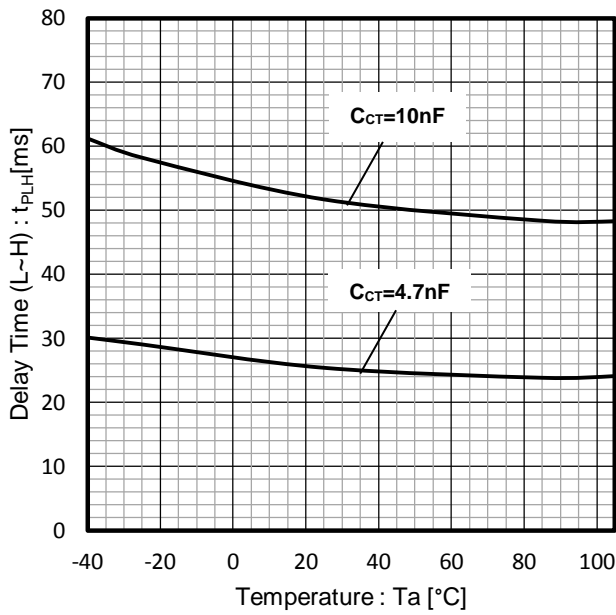


Figure 25. Output Delay Time (L to H)

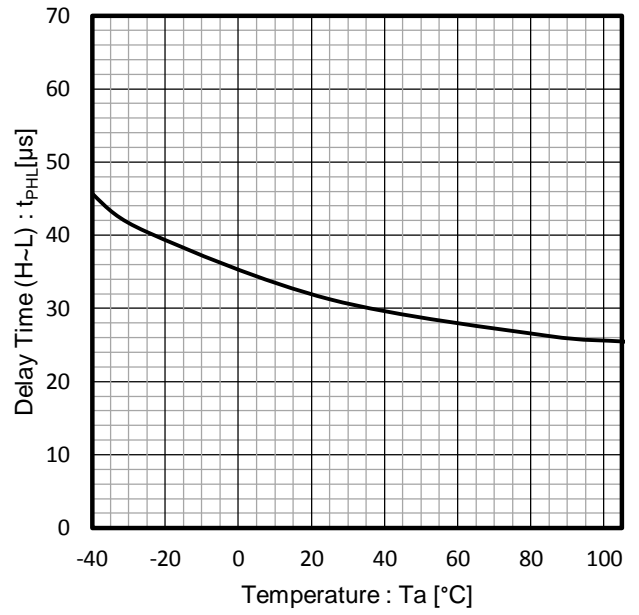


Figure 26. Output Delay Time (H to L)

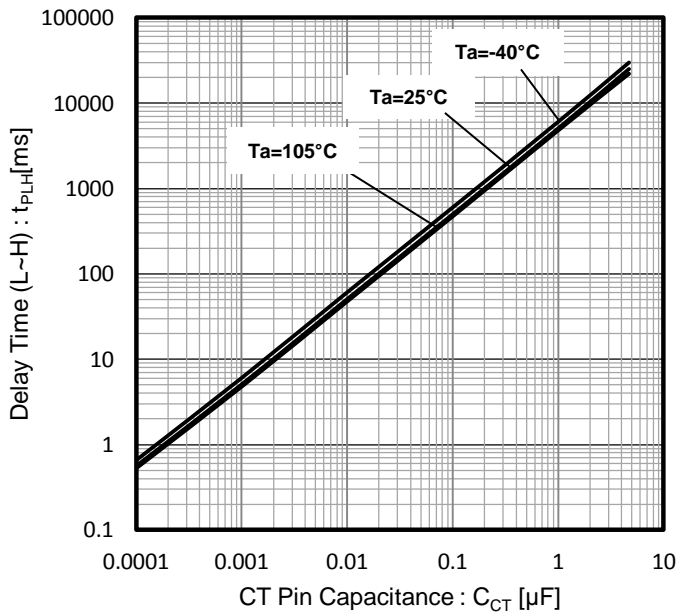


Figure 27. Output Delay Time (L to H)

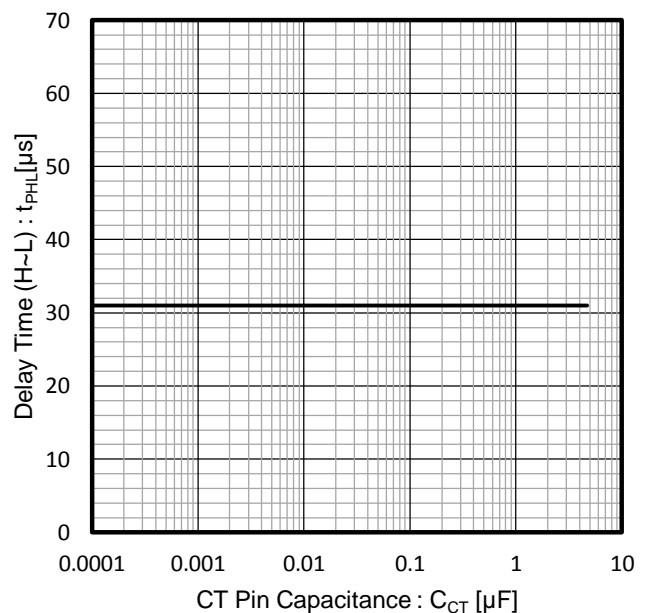


Figure 28. Output Delay Time (H to L)

Application Information

1. Explanation of Operation

For both the open drain type (Figure 29) and the CMOS output type (Figure 30), the detection and release voltages are used as threshold voltages. When the voltage applied to the VDD pin reaches the applicable threshold voltage, the VOUT pin voltage switches from either “High” to “Low” or from “Low” to “High”. BD52xx-2M series and BD53xx-2M series have delay time function which set  $t_{PLH}$  (output “Low” to ”High”) using an external capacitor connected in CT pin ( $C_{CT}$ ). Because the BD52xx-2M series uses an open drain output type, it is necessary to connect a pull up resistor to  $V_{DD}$  or another power supply if needed [The output “High” voltage ( $V_{OUT}$ ) in this case becomes  $V_{DD}$  or the voltage of the other power supply].



Figure 29. (BD52xx-2M type internal block diagram)



Figure 30. (BD53xx-2M type internal block diagram)

2. Setting of Detector Delay Time

Delay time L to H ( $t_{PLH}$ ) is the time when  $V_{OUT}$  rises to 1/2 of  $V_{DD}$  after  $V_{DD}$  rises up and beyond the release voltage ( $V_{DET} + \Delta V_{DET}$ ). The delay time ( $t_{PLH}$ ) at the rise of  $V_{DD}$  is determined by delay coefficient, CT capacitor and delay time when CT pin is open ( $t_{CTO}$ ) and calculated from the following formula. When CT capacitor  $\geq 1nF$ ,  $t_{CTO}$  has less effect and  $t_{PLH}$  computation is shown on Example No.2. The result has  $\pm 30\%$  tolerance within the operating temperature range of  $-40^{\circ}C$  to  $+105^{\circ}C$

Formula: ( $T_a = 25^{\circ}C$ )

$$t_{PLH} = C_{CT} \times \text{Delay Coefficient} + t_{CTO} \quad [s]$$

where:

$C_{CT}$  is the CT pin external capacitor

Delay Coefficient is equal to  $5.55 \times 10^6$

$t_{CTO}$  is the delay time when CT=open <sup>Note 1</sup>

Temperature	Delay Time ( $t_{CTO}$ )		
	Min	Typ	Max
$T_a = -40^{\circ}C$ to $+105^{\circ}C$	15 $\mu s$	50 $\mu s$	150 $\mu s$

Note1:  $t_{CTO}$  is design guarantee only; outgoing inspection is not done on all products.

Example No.1:

CT capacitor = 100pF

$$t_{PLH\_min} = (100 \times 10^{-12} \times 5.55 \times 10^6) \times 0.7 + 15 \times 10^{-6} = 403\mu s$$

$$t_{PLH\_typ} = (100 \times 10^{-12} \times 5.55 \times 10^6) \times 1.0 + 50 \times 10^{-6} = 605\mu s$$

$$t_{PLH\_max} = (100 \times 10^{-12} \times 5.55 \times 10^6) \times 1.3 + 150 \times 10^{-6} = 872\mu s$$

Example No.2:

CT capacitor = 1nF

$$t_{PLH\_typ} = 1 \times 10^{-9} \times 5.55 \times 10^6 = 5.55ms$$

### 3. Timing Waveform

The following shows the relationship between the input voltage  $V_{DD}$  and the output voltage  $V_{OUT}$  when the power supply voltage  $V_{DD}$  is sweep up and sweep down.



Figure 31. BD52xx-2M Set-up



Figure 32. Timing Diagram

1. When the power supply turns on, the Output Voltage ( $V_{OUT}$ ) is undefined until  $V_{DD}$  overcomes the Operating Voltage Limit ( $V_{OPL}$ ).
2.  $V_{OUT}$  will turn to “Low” as  $V_{DD}$  increases above  $V_{OPL}$  but less than the Release Voltage ( $V_{DET} + \Delta V_{DET}$ ),
3. When  $V_{DD}$  exceeds the Release Voltage ( $V_{DET} + \Delta V_{DET}$ ), delay time ( $t_{PLH}$ ) set by capacitor at CT pin ( $C_{CT}$ ) will happen then  $V_{OUT}$  will switch from “Low” to “High”.
4.  $V_{OUT}$  will remain “High” until  $V_{DD}$  do not fall below the Detection Voltage ( $V_{DET}$ ).
5. When  $V_{DD}$  drops below  $V_{DET}$ ,  $V_{OUT}$  will switch from “High” to “Low” with a delay of  $t_{PHL}$ .

\*The potential difference between the detection voltage and the release voltage is known as the Hysteresis Voltage width ( $\Delta V_{DET}$ ). The system is designed such that the output will not toggle with power supply fluctuations within this hysteresis width, preventing malfunctions due to noise.

4. Circuit Applications

(1) Examples of common application circuits



Figure 33. Open Drain Output Type

Application examples of BD52xx-2M series (Open-drain output type) and BD53xx-2M series (CMOS output type) are shown below.

CASE1: Power supply of the microcontroller ( $V_{DD2}$ ) differs from the power supply of the reset detection ( $V_{DD1}$ ). Use an open drain output type (BD52xx-2M) device with a load resistance  $R_L$  attached as shown in Figure33.

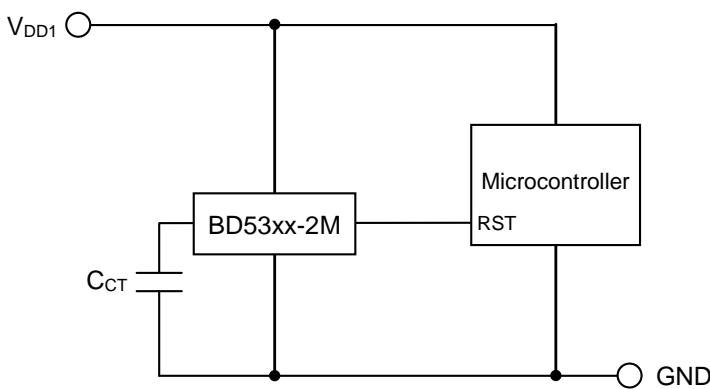


Figure 34. CMOS Output type

CASE2: Power supply of the microcontroller ( $V_{DD1}$ ) is the same as the power supply of the reset detection ( $V_{DD1}$ ). Use a CMOS output type (BD53xx-2M) device or an open-drain output type (BD52xx-2M) device with a pull-up resistor between the output and  $V_{DD1}$ .

(2) The following is an example of circuit application in which an OR connection between two types of detection voltage resets the microcontroller.

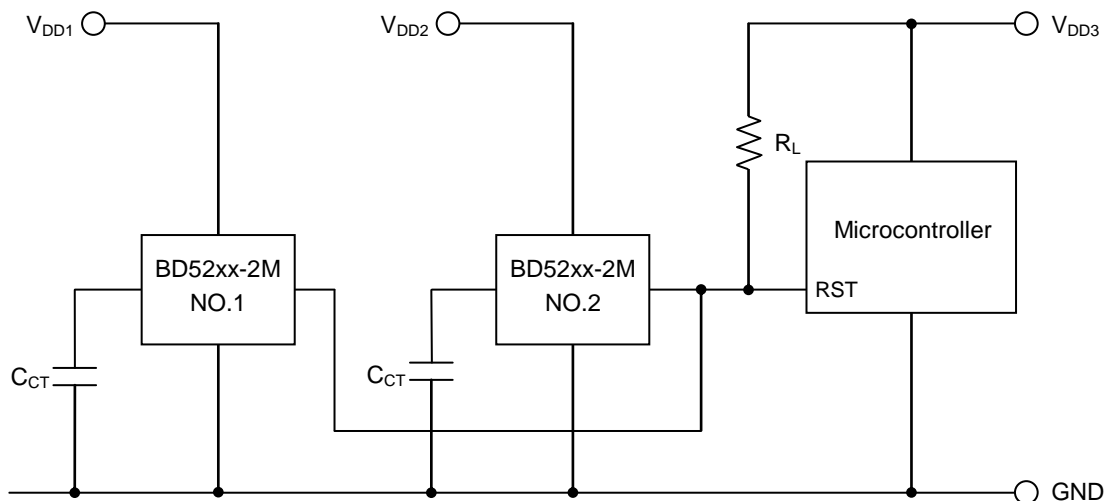


Figure 35. OR Circuit Connection Application

To reset the microcontroller when many independent power supplies are used in the system, OR connect an open drain output type (BD52xx-2M series) to the microcontroller's input with pull-up resistor to the supply voltage of the microcontroller ( $V_{DD3}$ ) as shown in Figure 35. By pulling-up to  $V_{DD3}$ , output "High" voltage of micro-controller power supply is possible.

Circuit Applications (continued)

(3) Examples of the power supply with resistor dividers

In applications wherein the power supply voltage of an IC comes from a resistor divider circuit, an inrush current will flow into the circuit when the output level switches from “Low” to “High” or vice versa. Inrush current is a sudden surge of current that flows from the power supply ( $V_{DD}$ ) to ground (GND) as the output logic changes its state. This current flow may cause malfunction in the systems operation such as output oscillations, etc.

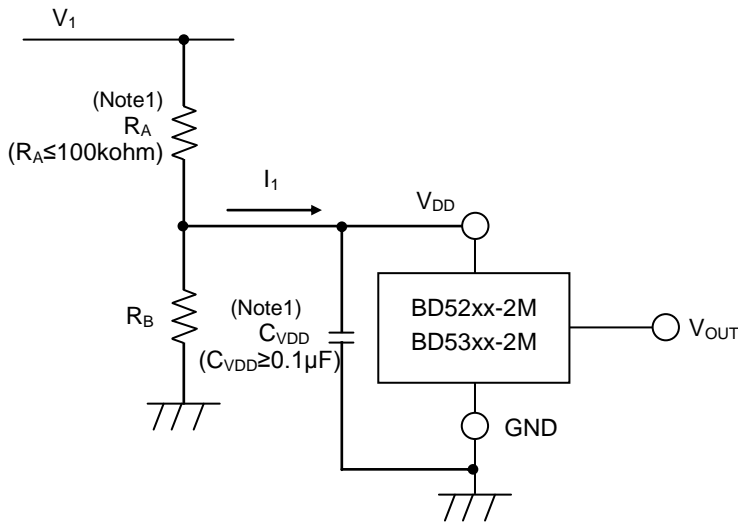


Figure 36. Resistor Divider Connection Application



Figure 37.  $V_{DD}$  Voltage vs. Current Consumption

A voltage drop [ $I_{inrush}$   $\times$   $R_A$ ] is caused by the inrush current, and causes the input voltage to drop when the output switches from “Low” to “High”. When the input voltage decreases and falls below the detection voltage, the output voltage switches from “High” to “Low”. At this time, the inrush current stops flowing through output “Low”, and the voltage drop is reduced. As a result, the output switches from “Low” to “High”, which again causes the inrush current to flow and the voltage to drop. This operation repeats and will result to oscillation. In case resistor divider will not use and only  $R_A$  will use, same response will happen.

Note1: The circuit connection mentioned above does not guarantee successful operation. Please perform thorough evaluation using the actual application and set countermeasures



Figure 38.  $I_{DD}$  Inrush Current  $T_a=25^\circ\text{C}$



Figure 39.  $I_{DD}$  Inrush Current  $V_{DD}=6\text{V}$

Circuit Applications (continued)

Depending on the application set-up, there are times that  $V_{DD}$  voltage is always below the Release Voltage ( $V_{DET} + \Delta V_{DET}$ ) because of the effect of inrush current as shown in Figure 40.

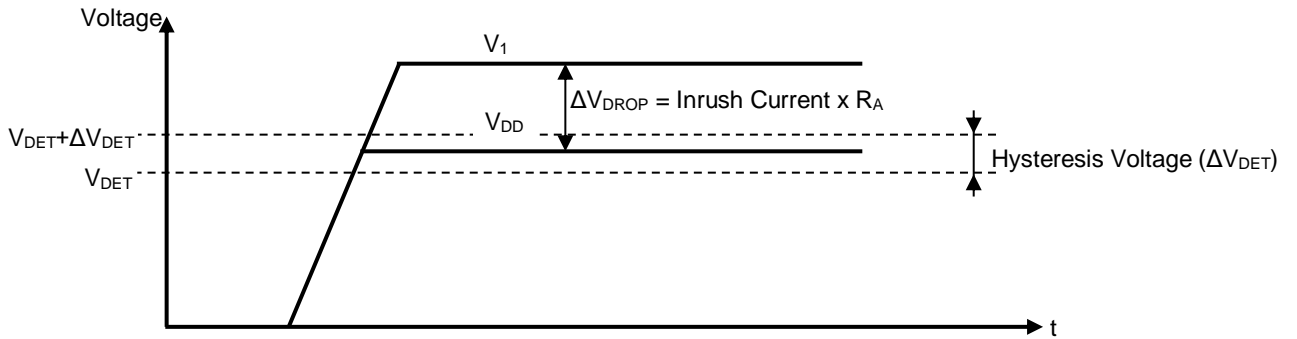


Figure 40.  $V_{DD}$  Drop Caused by Inrush Current



**Operational Notes****1. Reverse Connection of Power Supply**

Connecting the power supply in reverse polarity can damage the IC. Take precautions against reverse polarity when connecting the power supply, such as mounting an external diode between the power supply and the IC's power supply pins.

**2. Power Supply Line**

Design the PCB layout pattern to provide low impedance supply lines. Furthermore, connect a capacitor to ground at all power supply pins. Consider the effect of temperature and aging on the capacitance value when using electrolytic capacitors.

**3. Ground Voltage**

Ensure that no pins are at a voltage below that of the ground pin at any time, even during transient condition.

**4. Ground Wiring Pattern**

When using both small-signal and large-current ground traces, the two ground traces should be routed separately but connected to a single ground at the reference point of the application board to avoid fluctuations in the small-signal ground caused by large currents. Also ensure that the ground traces of external components do not cause variations on the ground voltage. The power supply and ground lines must be as short and thick as possible to reduce line impedance.

**5. Thermal Consideration**

Should by any chance the maximum junction temperature rating be exceeded the rise in temperature of the chip may result in deterioration of the properties of the chip. In case of exceeding this absolute maximum rating, increase the board size and copper area to prevent exceeding the maximum junction temperature rating.

**6. Recommended Operating Conditions**

These conditions represent a range within which the expected characteristics of the IC can be approximately obtained. The electrical characteristics are guaranteed under the conditions of each parameter.

**7. Inrush Current**

When power is first supplied to the IC, it is possible that the internal logic may be unstable and inrush current may flow instantaneously due to the internal powering sequence and delays, especially if the IC has more than one power supply. Therefore, give special consideration to power coupling capacitance, power wiring, width of GND wiring, and routing of connections.

**8. Operation Under Strong Electromagnetic Field**

Operating the IC in the presence of a strong electromagnetic field may cause the IC to malfunction.

**9. Testing on Application Boards**

When testing the IC on an application board, connecting a capacitor directly to a low-impedance output pin may subject the IC to stress. Always discharge capacitors completely after each process or step. The IC's power supply should always be turned off completely before connecting or removing it from the test setup during the inspection process. To prevent damage from static discharge, ground the IC during assembly and use similar precautions during transport and storage.

**10. Inter-pin Short and Mounting Errors**

Ensure that the direction and position are correct when mounting the IC on the PCB. Incorrect mounting may result in damaging the IC. Avoid nearby pins being shorted to each other especially to ground, power supply and output pin. Inter-pin shorts could be due to many reasons such as metal particles, water droplets (in very humid environment) and unintentional solder bridge deposited in between pins during assembly to name a few.

**11. Unused Input Pins**

Input pins of an IC are often connected to the gate of a MOS transistor. The gate has extremely high impedance and extremely low capacitance. If left unconnected, the electric field from the outside can easily charge it. The small charge acquired in this way is enough to produce a significant effect on the conduction through the transistor and cause unexpected operation of the IC. So unless otherwise specified, unused input pins should be connected to the power supply or ground line

**Operational Notes – continued****12. Regarding Input Pins of the IC**

In the construction of this IC, P-N junctions are inevitably formed creating parasitic diodes or transistors. The operation of these parasitic elements can result in mutual interference among circuits, operational faults, or physical damage. Therefore, conditions which cause these parasitic elements to operate, such as applying a voltage to an input pin lower than the ground voltage should be avoided. Furthermore, do not apply a voltage to the input pins when no power supply voltage is applied to the IC. Even if the power supply voltage is applied, make sure that the input pins have voltages within the values specified in the electrical characteristics of this IC

**13. Ceramic Capacitor**

When using a ceramic capacitor, determine the dielectric constant considering the change of capacitance with temperature and the decrease in nominal capacitance due to DC bias and others

**14. Area of Safe Operation (ASO)**

Operate the IC such that the output voltage, output current, and the maximum junction temperature rating are all within the Area of Safe Operation (ASO).

**15. Bypass Capacitor for Noise Rejection**

To help reject noise, put more than 0.1 $\mu$ F capacitor between VDD pin and GND. Be careful when using extremely big capacitor as transient response will be affected.

16. The V<sub>DD</sub> line impedance might cause oscillation because of the detection current.

17. A V<sub>DD</sub> to GND capacitor (as close connection as possible) should be used in high V<sub>DD</sub> line impedance condition.

**18. External Parameters**

The recommended value of C<sub>T</sub> Capacitor is from open to 4.7 $\mu$ F and pull-up resistance value is 50k $\Omega$  to 1M $\Omega$ . There are many factors (board layout, etc) that can affect characteristics. Operating beyond the recommended values does not guarantee correct operation. Please verify and confirm using practical applications.

19. When V<sub>DD</sub> falls below the minimum operating voltage, output will be open. When output is connected to pull-up voltage, output will be equivalent to pull-up voltage.

**20. Power-on Reset Operation**

Please note that the power on reset output varies with the V<sub>DD</sub> rise time. Please verify the behavior in the actual operation.

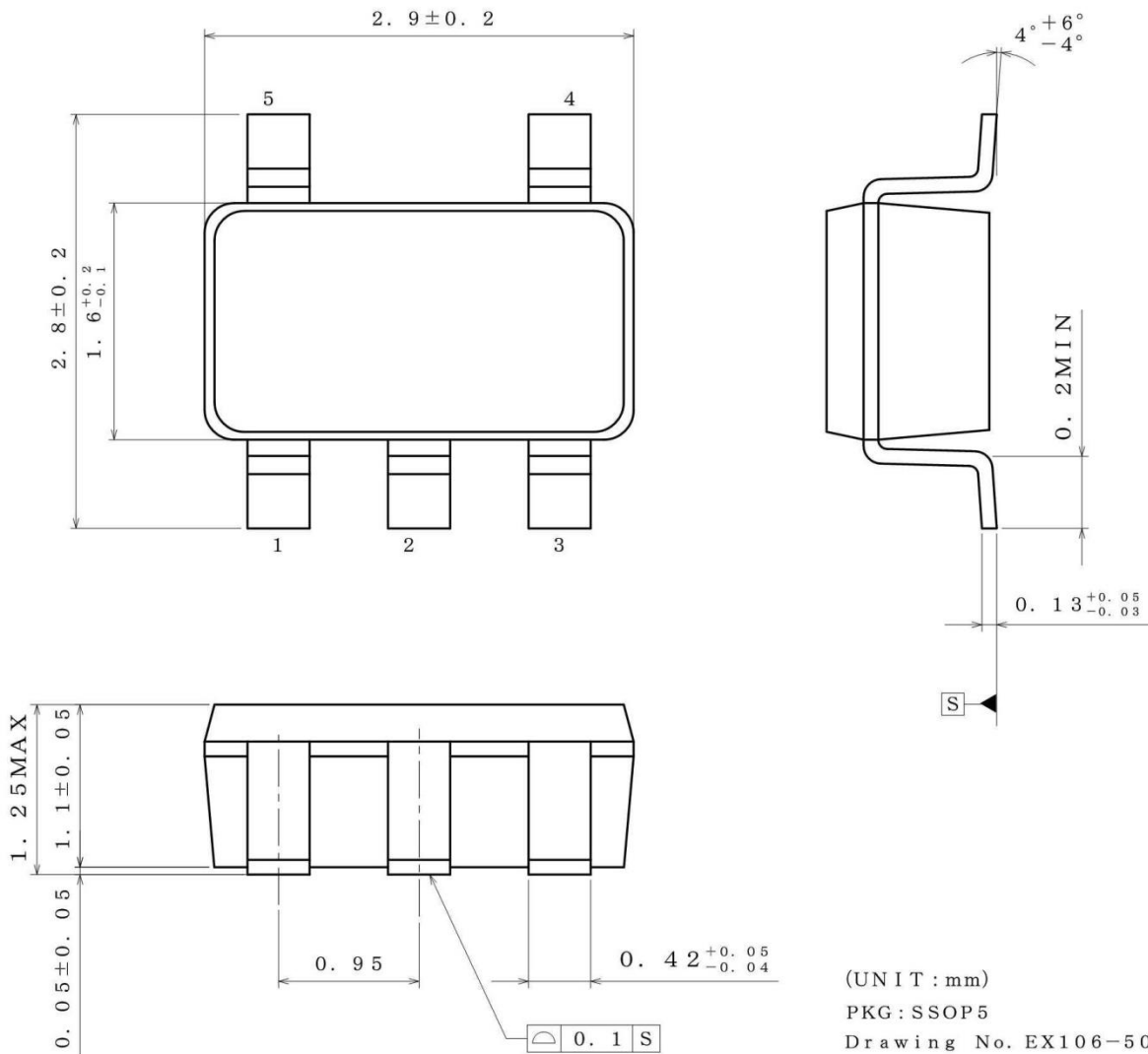
**21. CT Pin Discharge**

Due to the capabilities of the CT pin discharge transistor, the CT pin may not completely discharge when a short input pulse is applied, and in this case the delay time may not be controlled. Please verify the actual operation.

22. This IC has extremely high impedance pins. Small leak current due to the uncleanness of PCB surface might cause unexpected operations. Application values in these conditions should be selected carefully. If 10M $\Omega$  leakage is assumed between the CT and GND pin, it is recommended to insert 1M $\Omega$  resistor between CT and VDD pin. However, delay time will change when resistor is connected externally to CT pin so verify the delay time requirements when using this set-up. Also, when similar leakage is assumed between VOUT and GND pin, consider to set the value of pull up resistor lower than 1/10 of the impedance of assumed leakage route.

External Dimension Diagram, Packaging and Forming Specification

Package Name	SSOP5
--------------	-------



<Packing Condition, Packing qty and Packing Direction>

Packing Condition	Emboss Taping
Packing Qty	3000pcs
Packing Direction	TR (When reel is held at left hand and pulled at right hand, the 1st pin of the product will come to top right direction.)

1st Pin

Reel

Pull-Out Side

## Revision History

Date	Revision	Changes
2017/05/12	001	New
2018/07/05	002	Add notation of "Nano Energy"

# Notice

## Precaution on using ROHM Products

1. If you intend to use our Products in devices requiring extremely high reliability (such as medical equipment <sup>(Note 1)</sup>, aircraft/spacecraft, nuclear power controllers, etc.) and whose malfunction or failure may cause loss of human life, bodily injury or serious damage to property ("Specific Applications"), please consult with the ROHM sales representative in advance. Unless otherwise agreed in writing by ROHM in advance, ROHM shall not be in any way responsible or liable for any damages, expenses or losses incurred by you or third parties arising from the use of any ROHM's Products for Specific Applications.

(Note1) Medical Equipment Classification of the Specific Applications

JAPAN	USA	EU	CHINA
CLASS III	CLASS III	CLASS II b	CLASS III
CLASS IV		CLASS III	

2. ROHM designs and manufactures its Products subject to strict quality control system. However, semiconductor products can fail or malfunction at a certain rate. Please be sure to implement, at your own responsibilities, adequate safety measures including but not limited to fail-safe design against the physical injury, damage to any property, which a failure or malfunction of our Products may cause. The following are examples of safety measures:
  - [a] Installation of protection circuits or other protective devices to improve system safety
  - [b] Installation of redundant circuits to reduce the impact of single or multiple circuit failure
3. Our Products are not designed under any special or extraordinary environments or conditions, as exemplified below. Accordingly, ROHM shall not be in any way responsible or liable for any damages, expenses or losses arising from the use of any ROHM's Products under any special or extraordinary environments or conditions. If you intend to use our Products under any special or extraordinary environments or conditions (as exemplified below), your independent verification and confirmation of product performance, reliability, etc. prior to use, must be necessary:
  - [a] Use of our Products in any types of liquid, including water, oils, chemicals, and organic solvents
  - [b] Use of our Products outdoors or in places where the Products are exposed to direct sunlight or dust
  - [c] Use of our Products in places where the Products are exposed to sea wind or corrosive gases, including Cl<sub>2</sub>, H<sub>2</sub>S, NH<sub>3</sub>, SO<sub>2</sub>, and NO<sub>2</sub>
  - [d] Use of our Products in places where the Products are exposed to static electricity or electromagnetic waves
  - [e] Use of our Products in proximity to heat-producing components, plastic cords, or other flammable items
  - [f] Sealing or coating our Products with resin or other coating materials
  - [g] Use of our Products without cleaning residue of flux (even if you use no-clean type fluxes, cleaning residue of flux is recommended); or Washing our Products by using water or water-soluble cleaning agents for cleaning residue after soldering
  - [h] Use of the Products in places subject to dew condensation
4. The Products are not subject to radiation-proof design.
5. Please verify and confirm characteristics of the final or mounted products in using the Products.
6. In particular, if a transient load (a large amount of load applied in a short period of time, such as pulse. is applied, confirmation of performance characteristics after on-board mounting is strongly recommended. Avoid applying power exceeding normal rated power; exceeding the power rating under steady-state loading condition may negatively affect product performance and reliability.
7. De-rate Power Dissipation depending on ambient temperature. When used in sealed area, confirm that it is the use in the range that does not exceed the maximum junction temperature.
8. Confirm that operation temperature is within the specified range described in the product specification.
9. ROHM shall not be in any way responsible or liable for failure induced under deviant condition from what is defined in this document.

## Precaution for Mounting / Circuit board design

1. When a highly active halogenous (chlorine, bromine, etc.) flux is used, the residue of flux may negatively affect product performance and reliability.
2. In principle, the reflow soldering method must be used on a surface-mount products, the flow soldering method must be used on a through hole mount products. If the flow soldering method is preferred on a surface-mount products, please consult with the ROHM representative in advance.

For details, please refer to ROHM Mounting specification

### Precautions Regarding Application Examples and External Circuits

1. If change is made to the constant of an external circuit, please allow a sufficient margin considering variations of the characteristics of the Products and external components, including transient characteristics, as well as static characteristics.
2. You agree that application notes, reference designs, and associated data and information contained in this document are presented only as guidance for Products use. Therefore, in case you use such information, you are solely responsible for it and you must exercise your own independent verification and judgment in the use of such information contained in this document. ROHM shall not be in any way responsible or liable for any damages, expenses or losses incurred by you or third parties arising from the use of such information.

### Precaution for Electrostatic

This Product is electrostatic sensitive product, which may be damaged due to electrostatic discharge. Please take proper caution in your manufacturing process and storage so that voltage exceeding the Products maximum rating will not be applied to Products. Please take special care under dry condition (e.g. Grounding of human body / equipment / solder iron, isolation from charged objects, setting of Ionizer, friction prevention and temperature / humidity control).

### Precaution for Storage / Transportation

1. Product performance and soldered connections may deteriorate if the Products are stored in the places where:
  - [a] the Products are exposed to sea winds or corrosive gases, including Cl<sub>2</sub>, H<sub>2</sub>S, NH<sub>3</sub>, SO<sub>2</sub>, and NO<sub>2</sub>
  - [b] the temperature or humidity exceeds those recommended by ROHM
  - [c] the Products are exposed to direct sunshine or condensation
  - [d] the Products are exposed to high Electrostatic
2. Even under ROHM recommended storage condition, solderability of products out of recommended storage time period may be degraded. It is strongly recommended to confirm solderability before using Products of which storage time is exceeding the recommended storage time period.
3. Store / transport cartons in the correct direction, which is indicated on a carton with a symbol. Otherwise bent leads may occur due to excessive stress applied when dropping of a carton.
4. Use Products within the specified time after opening a humidity barrier bag. Baking is required before using Products of which storage time is exceeding the recommended storage time period.

### Precaution for Product Label

A two-dimensional barcode printed on ROHM Products label is for ROHM's internal use only.

### Precaution for Disposition

When disposing Products please dispose them properly using an authorized industry waste company.

### Precaution for Foreign Exchange and Foreign Trade act

Since concerned goods might be fallen under listed items of export control prescribed by Foreign exchange and Foreign trade act, please consult with ROHM in case of export.

### Precaution Regarding Intellectual Property Rights

1. All information and data including but not limited to application example contained in this document is for reference only. ROHM does not warrant that foregoing information or data will not infringe any intellectual property rights or any other rights of any third party regarding such information or data.
2. ROHM shall not have any obligations where the claims, actions or demands arising from the combination of the Products with other articles such as components, circuits, systems or external equipment (including software).
3. No license, expressly or implied, is granted hereby under any intellectual property rights or other rights of ROHM or any third parties with respect to the Products or the information contained in this document. Provided, however, that ROHM will not assert its intellectual property rights or other rights against you or your customers to the extent necessary to manufacture or sell products containing the Products, subject to the terms and conditions herein.

### Other Precaution

1. This document may not be reprinted or reproduced, in whole or in part, without prior written consent of ROHM.
2. The Products may not be disassembled, converted, modified, reproduced or otherwise changed without prior written consent of ROHM.
3. In no event shall you use in any way whatsoever the Products and the related technical information contained in the Products or this document for any military purposes, including but not limited to, the development of mass-destruction weapons.
4. The proper names of companies or products described in this document are trademarks or registered trademarks of ROHM, its affiliated companies or third parties.

**General Precaution**

1. Before you use our Products, you are requested to carefully read this document and fully understand its contents. ROHM shall not be in any way responsible or liable for failure, malfunction or accident arising from the use of any ROHM's Products against warning, caution or note contained in this document.
2. All information contained in this document is current as of the issuing date and subject to change without any prior notice. Before purchasing or using ROHM's Products, please confirm the latest information with a ROHM sales representative.
3. The information contained in this document is provided on an "as is" basis and ROHM does not warrant that all information contained in this document is accurate and/or error-free. ROHM shall not be in any way responsible or liable for any damages, expenses or losses incurred by you or third parties resulting from inaccuracy or errors of or concerning such information.

# Mouser Electronics

Authorized Distributor

Click to View Pricing, Inventory, Delivery & Lifecycle Information:

[ROHM Semiconductor:](#)

[BD5315G-2MTR](#) [BD5330G-2MTR](#)





Компания «ЭлектроПласт» предлагает заключение долгосрочных отношений при поставках импортных электронных компонентов на взаимовыгодных условиях!

Наши преимущества:

- Оперативные поставки широкого спектра электронных компонентов отечественного и импортного производства напрямую от производителей и с крупнейших мировых складов;
- Поставка более 17-ти миллионов наименований электронных компонентов;
- Поставка сложных, дефицитных, либо снятых с производства позиций;
- Оперативные сроки поставки под заказ (от 5 рабочих дней);
- Экспресс доставка в любую точку России;
- Техническая поддержка проекта, помощь в подборе аналогов, поставка прототипов;
- Система менеджмента качества сертифицирована по Международному стандарту ISO 9001;
- Лицензия ФСБ на осуществление работ с использованием сведений, составляющих государственную тайну;
- Поставка специализированных компонентов (Xilinx, Altera, Analog Devices, Intersil, Interpoint, Microsemi, Aeroflex, Peregrine, Syfer, Eurofarad, Texas Instrument, Miteq, Cobham, E2V, MA-COM, Hittite, Mini-Circuits, General Dynamics и др.);

Помимо этого, одним из направлений компании «ЭлектроПласт» является направление «Источники питания». Мы предлагаем Вам помощь Конструкторского отдела:

- Подбор оптимального решения, техническое обоснование при выборе компонента;
- Подбор аналогов;
- Консультации по применению компонента;
- Поставка образцов и прототипов;
- Техническая поддержка проекта;
- Защита от снятия компонента с производства.



#### Как с нами связаться

**Телефон:** 8 (812) 309 58 32 (многоканальный)

**Факс:** 8 (812) 320-02-42

**Электронная почта:** [org@eplast1.ru](mailto:org@eplast1.ru)

**Адрес:** 198099, г. Санкт-Петербург, ул. Калинина, дом 2, корпус 4, литера А.