

Features

- High current TRIAC
- Low thermal resistance with clip bonding
- High commutation capability
- BTA series UL1557 certified (File ref: 81734)
- Packages are RoHS (2002/95/EC) compliant

Applications

- On/off function in static relays, heating regulation, induction motor starting circuits
- Phase control operations in light dimmers, motor speed controllers, and similar

Description

Available in high power packages, the BTA/BTB40-41 series is suitable for general purpose AC switching.

The BTA series provides an insulated tab (rated at 2500 V rms).



Table 1. Device summary

| Symbol | Parameter | BTA40 ⁽¹⁾ | BTA41 ⁽¹⁾ | BTB41 | Unit |
|-------------------|-----------------------------------|----------------------|----------------------|-------------|------|
| $I_{T(RMS)}$ | On-state rms current | 40 | 41 | 41 | A |
| V_{DRM}/V_{RRM} | Repetitive peak off-state voltage | 600 and 800 | 600 and 800 | 600 and 800 | V |
| I_{GT} | Triggering gate current | 50 | 50 | 50 | mA |

1. Insulated package

1 Characteristics

Table 2. Absolute maximum ratings

| Symbol | Parameter | | | Value | Unit |
|--------------------|--|-------------------------------|-----------------------------------|--------------------------------|------------------------|
| $I_{T(RMS)}$ | On-state rms current (full sine wave) | TOP3 | $T_c = 95\text{ }^\circ\text{C}$ | 40 | A |
| | | RD91 / TOP ins. | $T_c = 80\text{ }^\circ\text{C}$ | | |
| I_{TSM} | Non repetitive surge peak on-state current (full cycle, T_j initial = $25\text{ }^\circ\text{C}$) | F = 50 Hz | t = 20 ms | 400 | A |
| | | F = 60 Hz | t = 16.7 ms | 420 | |
| I^2t | I^2t Value for fusing | $t_p = 10\text{ ms}$ | | 1000 | A^2s |
| dl/dt | Critical rate of rise of on-state current $I_G = 2 \times I_{GT}$, $t_r \leq 100\text{ ns}$ | F = 120 Hz | $T_j = 125\text{ }^\circ\text{C}$ | 50 | $\text{A}/\mu\text{s}$ |
| V_{DSM}/V_{RSM} | Non repetitive surge peak off-state voltage | $t_p = 10\text{ ms}$ | $T_j = 25\text{ }^\circ\text{C}$ | $V_{DSM}/V_{RSM} + 100$ | V |
| I_{GM} | Peak gate current | $t_p = 20\text{ }\mu\text{s}$ | $T_j = 125\text{ }^\circ\text{C}$ | 8 | A |
| $P_{G(AV)}$ | Average gate power dissipation | | $T_j = 125\text{ }^\circ\text{C}$ | 1 | W |
| T_{stg} T_j | Storage junction temperature range Operating junction temperature range | | | - 40 to + 150 - 40 to + 125 | $^\circ\text{C}$ |

Table 3. Electrical characteristics ($T_j = 25\text{ }^\circ\text{C}$, unless otherwise specified)

| Symbol | Parameter | | | Value | Unit | |
|-------------------|--|-----------------------------------|-----------------------------------|-------|------------------------|------------------------|
| $I_{GT}^{(1)}$ | $V_D = 12\text{ V}$ $R_L = 33\text{ }\Omega$ | I - II - III | MAX. | 50 | mA | |
| | | IV | | 100 | | |
| V_{GT} | | ALL | MAX. | 1.3 | V | |
| V_{GD} | $V_D = V_{DRM}$ $R_L = 3.3\text{ k}\Omega$ $T_j = 125\text{ }^\circ\text{C}$ | ALL | MIN. | 0.2 | V | |
| $I_H^{(2)}$ | $I_T = 500\text{ mA}$ | | MAX. | 80 | mA | |
| I_L | $I_G = 1.2 I_{GT}$ | I - III - IV | MAX. | 70 | mA | |
| | | II | | 160 | | |
| $dV/dt^{(2)}$ | $V_D = 67\% V_{DRM}$ gate open | $T_j = 125\text{ }^\circ\text{C}$ | MIN. | 500 | $\text{V}/\mu\text{s}$ | |
| $(dV/dt)_c^{(2)}$ | $(dl/dt)_c = 20\text{ A/ms}$ | | $T_j = 125\text{ }^\circ\text{C}$ | MIN. | 10 | $\text{V}/\mu\text{s}$ |

1. Minimum I_{GT} is guaranteed at 5% of I_{GT} max.
2. for both polarities of A2 referenced to A1

Table 4. Static characteristics

| Symbol | Test conditions | | Value | Unit | |
|------------------------|---|-----------------------------------|-------|------|---------------|
| $V_T^{(1)}$ | $I_{TM} = 60\text{ A}$ $t_p = 380\ \mu\text{s}$ | $T_j = 25\text{ }^\circ\text{C}$ | MAX. | 1.55 | V |
| $V_{t0}^{(2)}$ | Threshold voltage | $T_j = 125\text{ }^\circ\text{C}$ | MAX. | 0.85 | V |
| $R_d^{(2)}$ | Dynamic resistance | $T_j = 125\text{ }^\circ\text{C}$ | MAX. | 10 | m Ω |
| I_{DRM} I_{RRM} | $V_{DRM} = V_{RRM}$ | $T_j = 25\text{ }^\circ\text{C}$ | MAX. | 5 | μA |
| | | $T_j = 125\text{ }^\circ\text{C}$ | | 5 | mA |

1. Minimum I_{GT} is guaranteed at 5% of I_{GT} max.
2. for both polarities of A2 referenced to A1

Table 5. Thermal resistance

| Symbol | Test conditions | | Value | Unit |
|---------------|-----------------------|-----------------------------------|-------|--------------------|
| $R_{th(j-c)}$ | Junction to case (AC) | RD91 (insulated) / TOP3 insulated | 0.9 | $^\circ\text{C/W}$ |
| | | TOP3 | 0.6 | |
| $R_{th(j-a)}$ | Junction to ambient | TOP3 / TOP3 insulated | 50 | $^\circ\text{C/W}$ |

Figure 1. Maximum power dissipation versus on-state rms current (full cycle)



Figure 2. On-state rms current versus case temperature (full cycle)



Figure 3. Relative variation of thermal impedance versus pulse duration

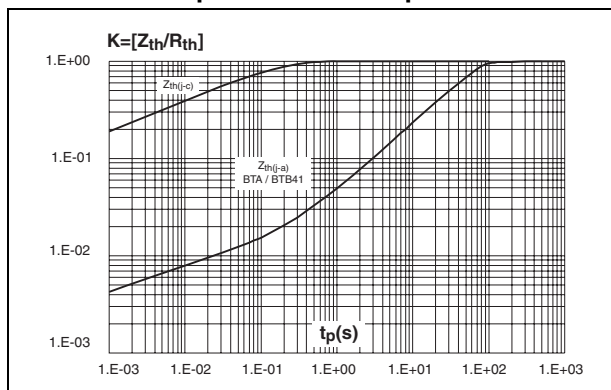


Figure 4. On-state characteristics (maximum values)

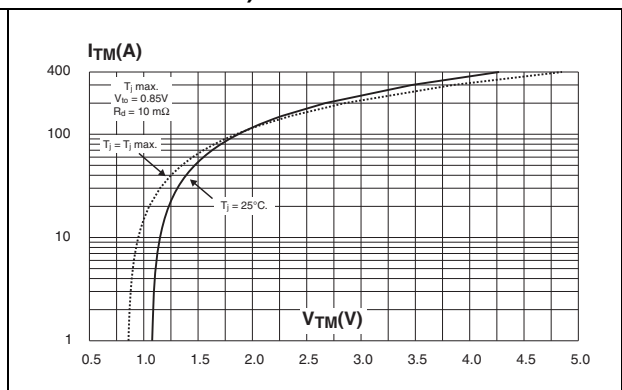


Figure 5. Surge peak on-state current versus number of cycles



Figure 6. Non-repetitive surge peak on-state current for a sinusoidal pulse and corresponding value of I^2t

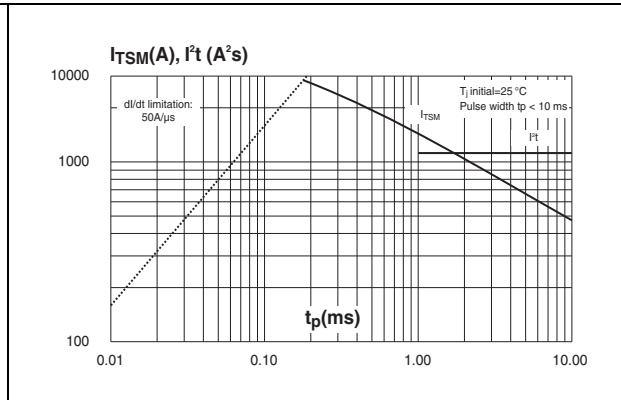


Figure 7. Relative variation of gate trigger, holding and latching current versus junction temperature



Figure 8. Relative variation of critical rate of decrease of main current versus $(dV/dt)c$ (typical values)

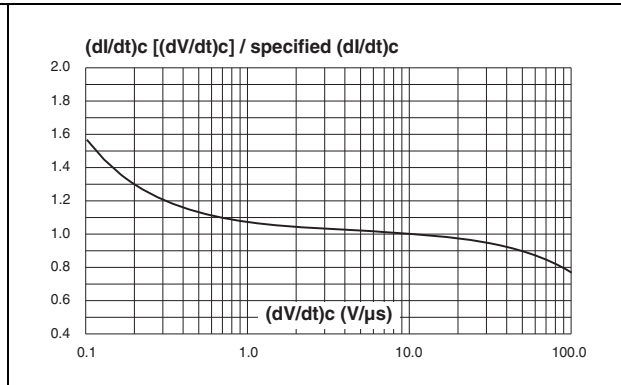


Figure 9. Relative variation of critical rate of decrease of main current versus $(dV/dt)c$



2 Ordering information scheme

Figure 10. Ordering information scheme



3 Package information

- Epoxy meets UL94, V0
- Lead-free packages

In order to meet environmental requirements, ST offers these devices in different grades of ECOPACK® packages, depending on their level of environmental compliance. ECOPACK® specifications, grade definitions and product status are available at: www.st.com. ECOPACK® is an ST trademark.

Table 6. TOP3 insulated and non-insulated dimensions

| Ref. | Dimensions | | | |
|------|-------------|-------|------------|-------|
| | Millimeters | | Inches | |
| | Min. | Max. | Min. | Max. |
| A | 4.4 | 4.6 | 0.173 | 0.181 |
| B | 1.45 | 1.55 | 0.057 | 0.061 |
| C | 14.35 | 15.60 | 0.565 | 0.614 |
| D | 0.5 | 0.7 | 0.020 | 0.028 |
| E | 2.7 | 2.9 | 0.106 | 0.114 |
| F | 15.8 | 16.5 | 0.622 | 0.650 |
| G | 20.4 | 21.1 | 0.815 | 0.831 |
| H | 15.1 | 15.5 | 0.594 | 0.610 |
| J | 5.4 | 5.65 | 0.213 | 0.222 |
| K | 3.4 | 3.65 | 0.134 | 0.144 |
| ØL | 4.08 | 4.17 | 0.161 | 0.164 |
| P | 1.20 | 1.40 | 0.047 | 0.055 |
| R | 4.60 typ. | | 0.181 typ. | |

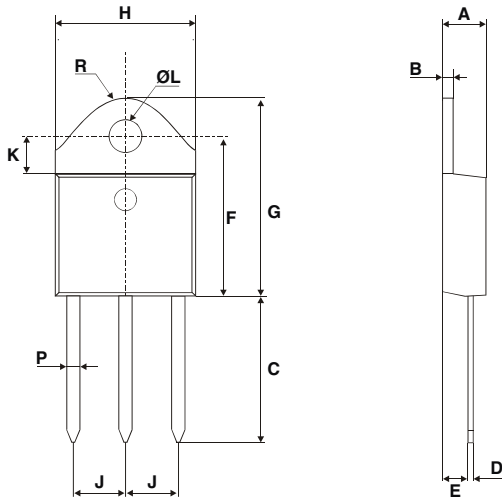


Table 7. RD91 dimensions

| Ref. | Dimensions | | | |
|------|-------------|-------|--------|-------|
| | Millimeters | | Inches | |
| | Min. | Max. | Min. | Max. |
| A | - | 40.00 | - | 1.575 |
| A1 | 29.90 | 30.30 | 1.177 | 1.193 |
| A2 | - | 22.00 | - | 0.867 |
| B | - | 27.00 | - | 1.063 |
| B1 | 13.50 | 16.50 | 0.531 | 0.650 |
| B2 | - | 24.00 | - | 0.945 |
| C | - | 14.00 | - | 0.551 |
| C1 | - | 3.50 | - | 0.138 |
| C2 | 1.95 | 3.00 | 0.077 | 0.118 |
| E3 | 0.70 | 0.90 | 0.027 | 0.035 |
| F | 4.00 | 4.50 | 0.157 | 0.177 |
| I | 11.20 | 13.60 | 0.441 | 0.535 |
| L1 | 3.10 | 3.50 | 0.122 | 0.138 |
| L2 | 1.70 | 1.90 | 0.067 | 0.075 |
| N1 | 33° | 43° | 33° | 43° |
| N2 | 28° | 38° | 28° | 38° |

4 Ordering information

Table 8. Ordering information

| Order code ⁽¹⁾ | Marking | Package | Weight | Base qty | Delivery mode |
|---------------------------|-----------|-----------|--------|----------|---------------|
| BTA40-xxxB | BTA40xxxB | RD91 | 20 g | 25 | Bulk |
| BTA41-xxxBRG | BTA41xxxB | TOP3 Ins. | 4.5 g | 30 | Tube |
| BTB41-xxxBRG | BTB41xxxB | TOP3 | 4.5 g | 30 | Tube |

1. xxx = voltage

5 Revision history

Table 9. Document revision history

| Date | Revision | Changes |
|-------------|----------|---|
| Sep-2003 | 5 | Last update. |
| 25-Mar-2005 | 6 | TOP3 delivery mode changed from bulk to tube. |
| 14-Oct-2005 | 7 | T _c values for I _T changed in Table 3. ECOPACK statement added. |
| 10-Aug-2009 | 8 | Updated Table 2 to correctly place packages. Updated Figure 2 . Table 5 changed to correctly place TOP3. Updated ECOPACK statement. |

Please Read Carefully:

Information in this document is provided solely in connection with ST products. STMicroelectronics NV and its subsidiaries ("ST") reserve the right to make changes, corrections, modifications or improvements, to this document, and the products and services described herein at any time, without notice.

All ST products are sold pursuant to ST's terms and conditions of sale.

Purchasers are solely responsible for the choice, selection and use of the ST products and services described herein, and ST assumes no liability whatsoever relating to the choice, selection or use of the ST products and services described herein.

No license, express or implied, by estoppel or otherwise, to any intellectual property rights is granted under this document. If any part of this document refers to any third party products or services it shall not be deemed a license grant by ST for the use of such third party products or services, or any intellectual property contained therein or considered as a warranty covering the use in any manner whatsoever of such third party products or services or any intellectual property contained therein.

UNLESS OTHERWISE SET FORTH IN ST'S TERMS AND CONDITIONS OF SALE ST DISCLAIMS ANY EXPRESS OR IMPLIED WARRANTY WITH RESPECT TO THE USE AND/OR SALE OF ST PRODUCTS INCLUDING WITHOUT LIMITATION IMPLIED WARRANTIES OF MERCHANTABILITY, FITNESS FOR A PARTICULAR PURPOSE (AND THEIR EQUIVALENTS UNDER THE LAWS OF ANY JURISDICTION), OR INFRINGEMENT OF ANY PATENT, COPYRIGHT OR OTHER INTELLECTUAL PROPERTY RIGHT.

UNLESS EXPRESSLY APPROVED IN WRITING BY AN AUTHORIZED ST REPRESENTATIVE, ST PRODUCTS ARE NOT RECOMMENDED, AUTHORIZED OR WARRANTED FOR USE IN MILITARY, AIR CRAFT, SPACE, LIFE SAVING, OR LIFE SUSTAINING APPLICATIONS, NOR IN PRODUCTS OR SYSTEMS WHERE FAILURE OR MALFUNCTION MAY RESULT IN PERSONAL INJURY, DEATH, OR SEVERE PROPERTY OR ENVIRONMENTAL DAMAGE. ST PRODUCTS WHICH ARE NOT SPECIFIED AS "AUTOMOTIVE GRADE" MAY ONLY BE USED IN AUTOMOTIVE APPLICATIONS AT USER'S OWN RISK.

Resale of ST products with provisions different from the statements and/or technical features set forth in this document shall immediately void any warranty granted by ST for the ST product or service described herein and shall not create or extend in any manner whatsoever, any liability of ST.

ST and the ST logo are trademarks or registered trademarks of ST in various countries.

Information in this document supersedes and replaces all information previously supplied.

The ST logo is a registered trademark of STMicroelectronics. All other names are the property of their respective owners.

© 2009 STMicroelectronics - All rights reserved

STMicroelectronics group of companies

Australia - Belgium - Brazil - Canada - China - Czech Republic - Finland - France - Germany - Hong Kong - India - Israel - Italy - Japan - Malaysia - Malta - Morocco - Philippines - Singapore - Spain - Sweden - Switzerland - United Kingdom - United States of America

www.st.com



Компания «ЭлектроПласт» предлагает заключение долгосрочных отношений при поставках импортных электронных компонентов на взаимовыгодных условиях!

Наши преимущества:

- Оперативные поставки широкого спектра электронных компонентов отечественного и импортного производства напрямую от производителей и с крупнейших мировых складов;
- Поставка более 17-ти миллионов наименований электронных компонентов;
- Поставка сложных, дефицитных, либо снятых с производства позиций;
- Оперативные сроки поставки под заказ (от 5 рабочих дней);
- Экспресс доставка в любую точку России;
- Техническая поддержка проекта, помощь в подборе аналогов, поставка прототипов;
- Система менеджмента качества сертифицирована по Международному стандарту ISO 9001;
- Лицензия ФСБ на осуществление работ с использованием сведений, составляющих государственную тайну;
- Поставка специализированных компонентов (Xilinx, Altera, Analog Devices, Intersil, Interpoint, Microsemi, Aeroflex, Peregrine, Syfer, Eurofarad, Texas Instrument, Miteq, Cobham, E2V, MA-COM, Hittite, Mini-Circuits, General Dynamics и др.);

Помимо этого, одним из направлений компании «ЭлектроПласт» является направление «Источники питания». Мы предлагаем Вам помощь Конструкторского отдела:

- Подбор оптимального решения, техническое обоснование при выборе компонента;
- Подбор аналогов;
- Консультации по применению компонента;
- Поставка образцов и прототипов;
- Техническая поддержка проекта;
- Защита от снятия компонента с производства.



Как с нами связаться

Телефон: 8 (812) 309 58 32 (многоканальный)

Факс: 8 (812) 320-02-42

Электронная почта: org@eplast1.ru

Адрес: 198099, г. Санкт-Петербург, ул. Калинина, дом 2, корпус 4, литера А.