

## ISL6333, ISL6333A, ISL6333B, ISL6333C

Three-Phase Buck PWM Controller with Integrated MOSFET Drivers and Light Load Efficiency Enhancements for Intel VR11.1 Applications

FN6520  
Rev 3.00  
Oct 8, 2010

The ISL6333 three-phase PWM family of control ICs provide a precision voltage regulation system for advanced microprocessors. The integration of power MOSFET drivers into the controller IC marks a departure from the separate PWM controller and driver configuration of previous multi-phase product families. By reducing the number of external parts, this integration is optimized for a cost and space saving power management solution.

The ISL6333 controllers are designed to be compatible with Intel VR11.1 Applications. Features that make these controllers compatible include an IMON pin for output current monitoring, and a Power State Indicator (PSI#) pin for phase dropping and higher efficiency during light load states. An 8-bit VID input is used to select the desired output voltage from the VR11 DAC table. A circuit is provided for remote voltage sensing, compensating for any potential difference between remote and local grounds. The output voltage can also be positively or negatively offset through the use of a single external resistor.

The ISL6333 controllers also include advanced control loop features for optimal transient response to load application and removal. One of these features is highly accurate, fully differential, continuous DCR current sensing for load line programming and channel current balance. Active Pulse Positioning (APP) Modulation and Adaptive Phase Alignment (APA) are two other unique features, allowing for quicker initial response to high di/dt load transients. With this quicker initial response to load transients, the number of output bulk capacitors can be reduced, helping to reduce cost.

Integrated into the ISL6333 controllers are user-programmable current sense resistors, which require only a single external resistor to set their values. No external current sense resistors are required. Another unique feature of the ISL6333 controllers is the addition of a dynamic VID compensation pin that allows optimizing compensation to be added for well-controlled dynamic VID response.

Protection features of these controller ICs include a set of sophisticated overvoltage, undervoltage, and overcurrent protection. Furthermore, the ISL6333 controllers include protection against an open circuit on the remote sensing inputs. Combined, these features provide advanced protection for the microprocessor and power system.

### Features

- Intel VR11.1 Compatible
  - IMON Pin for Output Current Monitoring
  - Power State Indicator (PSI#) Pin for Phase Dropping and Higher Efficiency During Light Load States
- CPURST\_N Input to Eliminate Required Extensive External Circuit for proper PSI# Operation of Intel's Eaglelake Chipset Platform (ISL6333B, ISL6333C Only)
- Integrated Multi-Phase Power Conversion
  - 3-Phase or 2-Phase Operation with Internal Drivers
- Precision Core Voltage Regulation
  - Differential Remote Voltage Sensing
  - $\pm 0.5\%$  System Accuracy Over-Temperature
  - Adjustable Reference-Voltage Offset
- Optimal Transient Response
  - Active Pulse Positioning (APP) Modulation
  - Adaptive Phase Alignment (APA)
- Fully Differential, Continuous DCR Current Sensing
  - Integrated Programmable Current Sense Resistors
  - Accurate Load Line Programming
  - Precision Channel Current Balancing
- Gate Voltage Optimization Technology (ISL6333, ISL6333B Only)
- Power Saving Diode Emulation Mode (ISL6333, ISL6333B Only)
- Optimized for use with Coupled Inductors
- Variable Gate Drive Bias: +5V to +12V
- Microprocessor Voltage Identification Inputs
  - 8-bit VID Input for Selecting VR11 DAC Voltages
  - Dynamic VID Technology
- Dynamic VID Compensation
- Overcurrent Protection and Channel Current Limit
- Multi-tiered Overvoltage Protection
- Digital Soft-Start
- Selectable Operation Frequency up to 1.0MHz Per Phase
- Pb-free (RoHS Compliant)

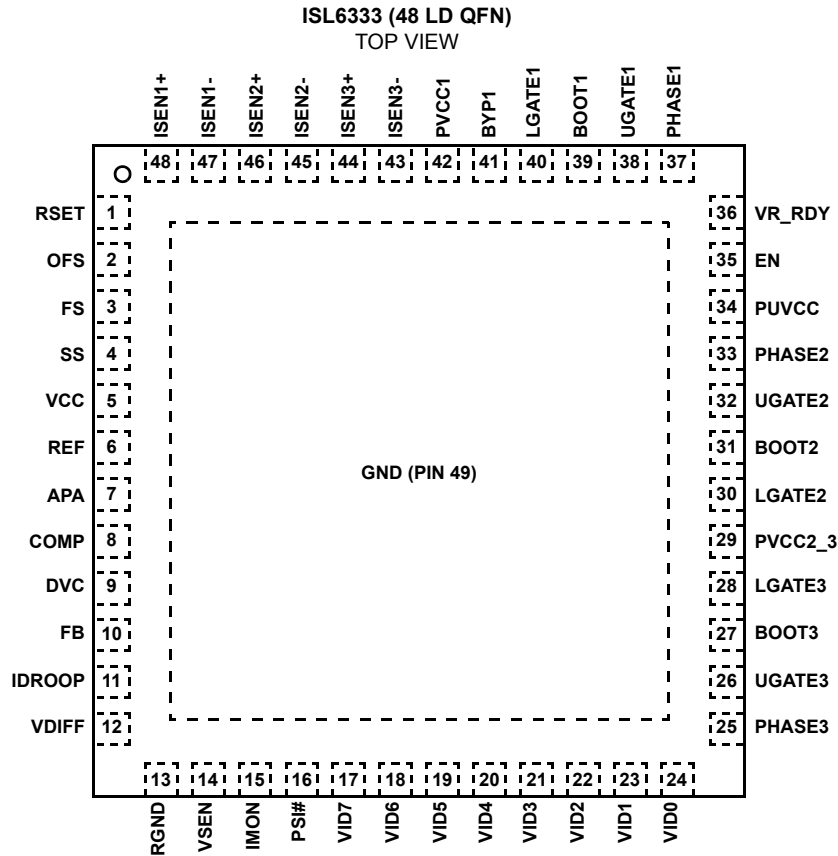
## Ordering Information

PART NUMBER (Note)	PART MARKING	TEMP. RANGE (°C)	PACKAGE (Pb-free)	PKG. DWG. #
ISL6333CRZ*	ISL6333 CRZ	0 to +70	48 Ld 7x7 QFN	L48.7x7
ISL6333IRZ*	ISL6333 IRZ	-40 to +85	48 Ld 7x7 QFN	L48.7x7
ISL6333ACRZ*	ISL6333A CRZ	0 to +70	48 Ld 7x7 QFN	L48.7x7
ISL6333AIRZ*	ISL6333A IRZ	-40 to +85	48 Ld 7x7 QFN	L48.7x7
ISL6333BCRZ*	ISL6333B CRZ	0 to +70	48 Ld 7x7 QFN	L48.7x7
ISL6333BIRZ*	ISL6333B IRZ	-40 to +85	48 Ld 7x7 QFN	L48.7x7
ISL6333CCRZ*	ISL6333C CRZ	0 to +70	48 Ld 7x7 QFN	L48.7x7
ISL6333CIRZ*	ISL6333C IRZ	-40 to +85	48 Ld 7x7 QFN	L48.7x7

\*Add "-T" suffix for tape and reel. Please refer to TB347 for details on reel specifications.

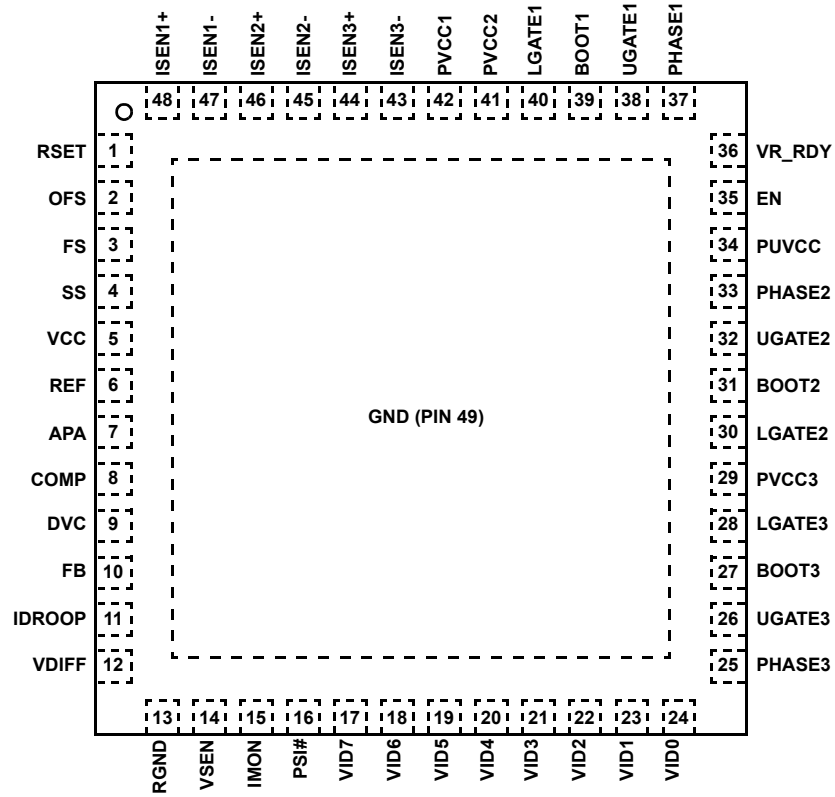
NOTE: These Intersil Pb-free plastic packaged products employ special Pb-free material sets, molding compounds/die attach materials, and 100% matte tin plate plus anneal (e3 termination finish, which is RoHS compliant and compatible with both SnPb and Pb-free soldering operations). Intersil Pb-free products are MSL classified at Pb-free peak reflow temperatures that meet or exceed the Pb-free requirements of IPC/JEDEC J STD-020.

## Pinouts

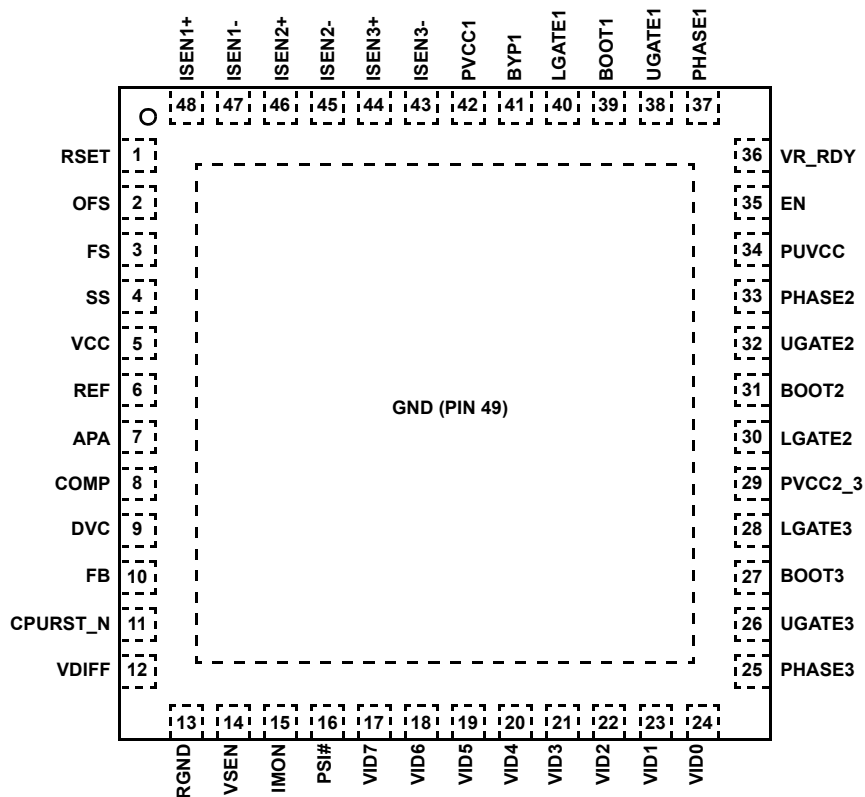


**Pinouts** (Continued)

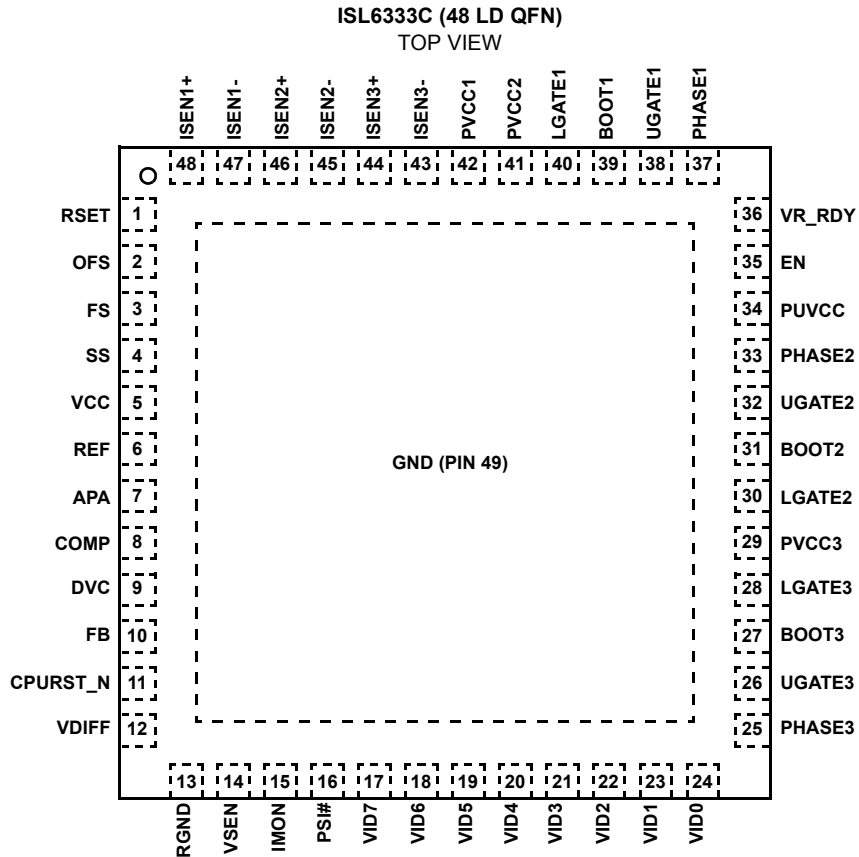
**ISL6333A (48 LD QFN)**  
TOP VIEW



**ISL6333B (48 LD QFN)**  
TOP VIEW



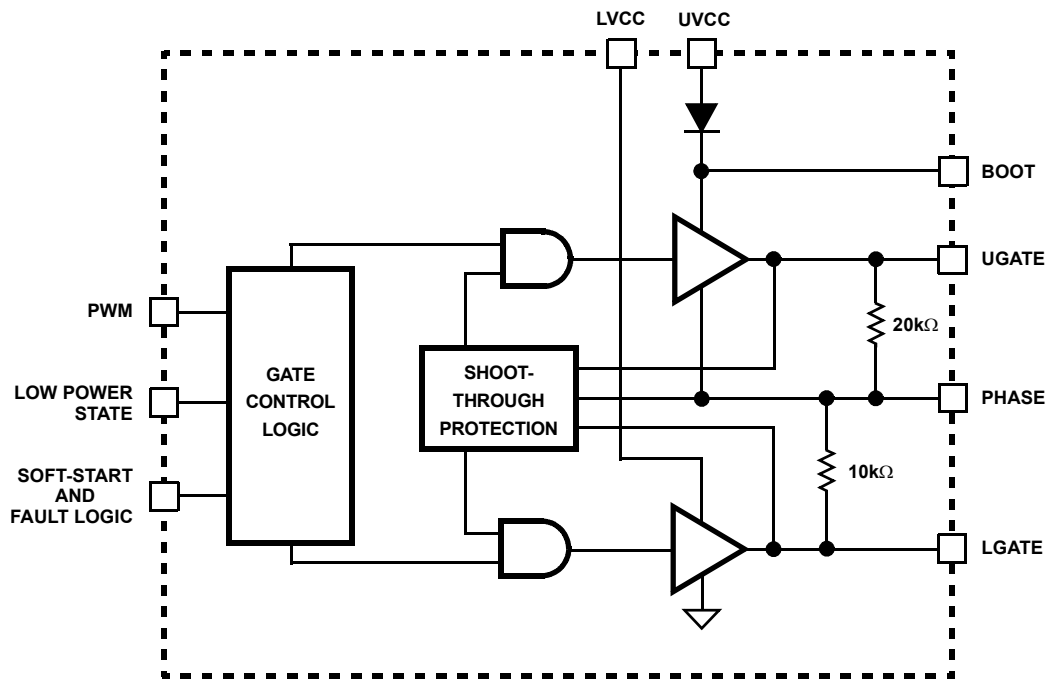
**Pinouts** (Continued)



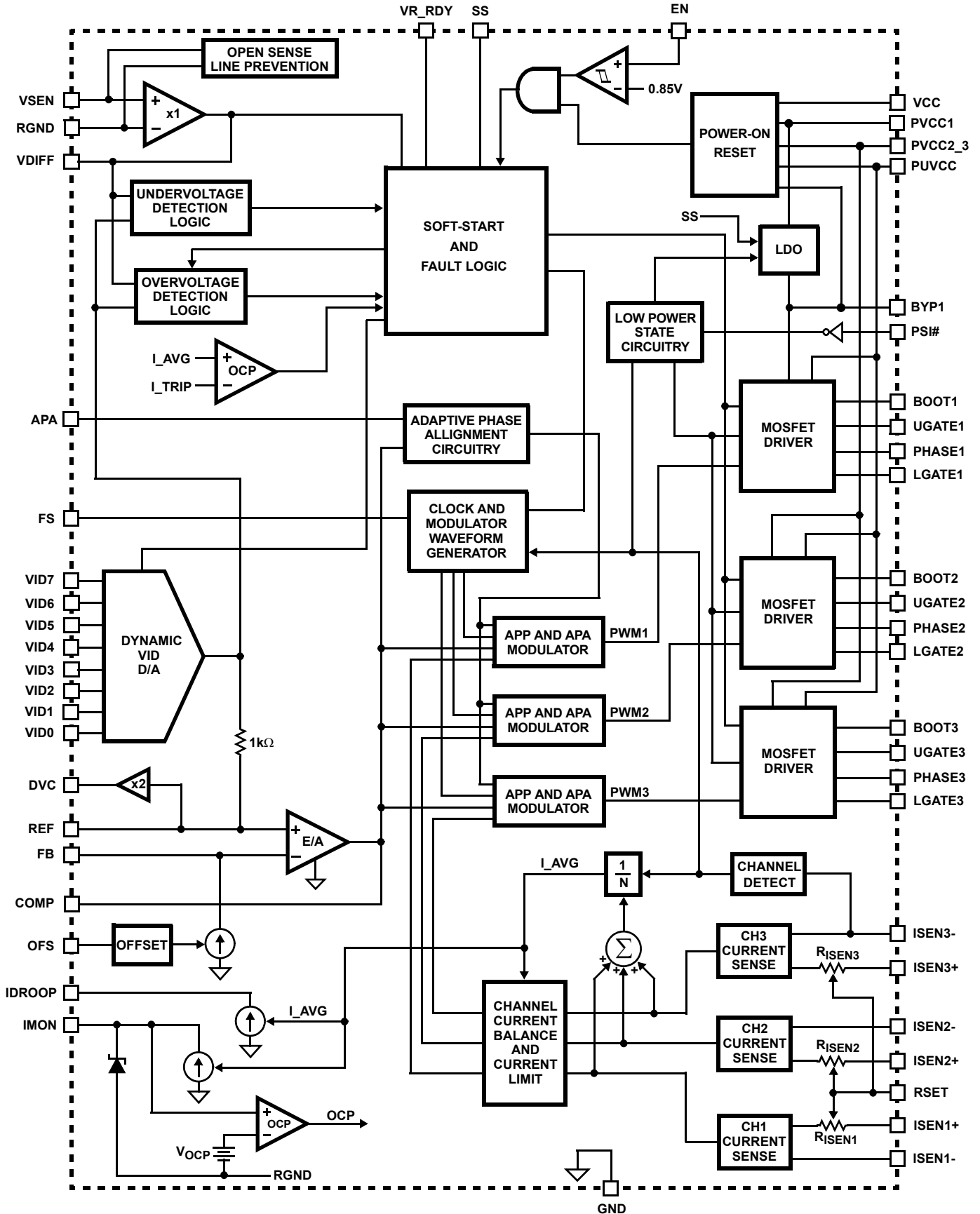
**Controller Descriptions and Comments**

CONTROLLER	DIODE EMULATION MODE (DEM)	GATE VOLTAGE OPTIMIZATION TECHNOLOGY (GVOT)	DROOP PIN	ENABLE/DISABLE DROOP	CPURST_N PIN
ISL6333	YES	YES	YES	Enable/Disable	NO
ISL6333A	NO	NO	YES	Enable/Disable	NO
ISL6333B	YES	YES	NO	Always Enabled	YES
ISL6333C	NO	NO	NO	Always Enabled	YES
CONTROLLER	COMMENTS				
ISL6333	When PSI# is set high, the controller operates normally in continuous conduction mode (CCM) with all active channels firing. When the PSI# pin is set low, the controller transitions to single phase operation and changes to diode emulation mode (DEM). The controller also utilizes its new Gate Voltage Optimization Technology (GVOT) to reduce Channel 1's lower MOSFET gate drive voltage. This controller yields the highest low load efficiency.				
ISL6333A	When PSI# is set high, the controller operates normally in continuous conduction mode (CCM) with all active channels firing. When the PSI# pin is set low, the controller transitions to single phase operation only.				
ISL6333B	Same feature set as the ISL6333 controller with two additional changes. The CPURST_N pin is added to eliminate extensive external circuitry required for proper PSI# operation of Intel's Eaglelake Chipset Platform. The droop pin has been removed and the droop current now flows out of the FB pin. The droop feature is always active. This controller yields the highest low load efficiency.				
ISL6333C	Same feature set as the ISL6333A controller with two additional changes. The CPURST_N pin is added to eliminate extensive external circuitry required for proper PSI# operation of Intel's Eaglelake Chipset Platform. The droop pin has been removed and the droop current now flows out of the FB pin. The droop feature is always active.				

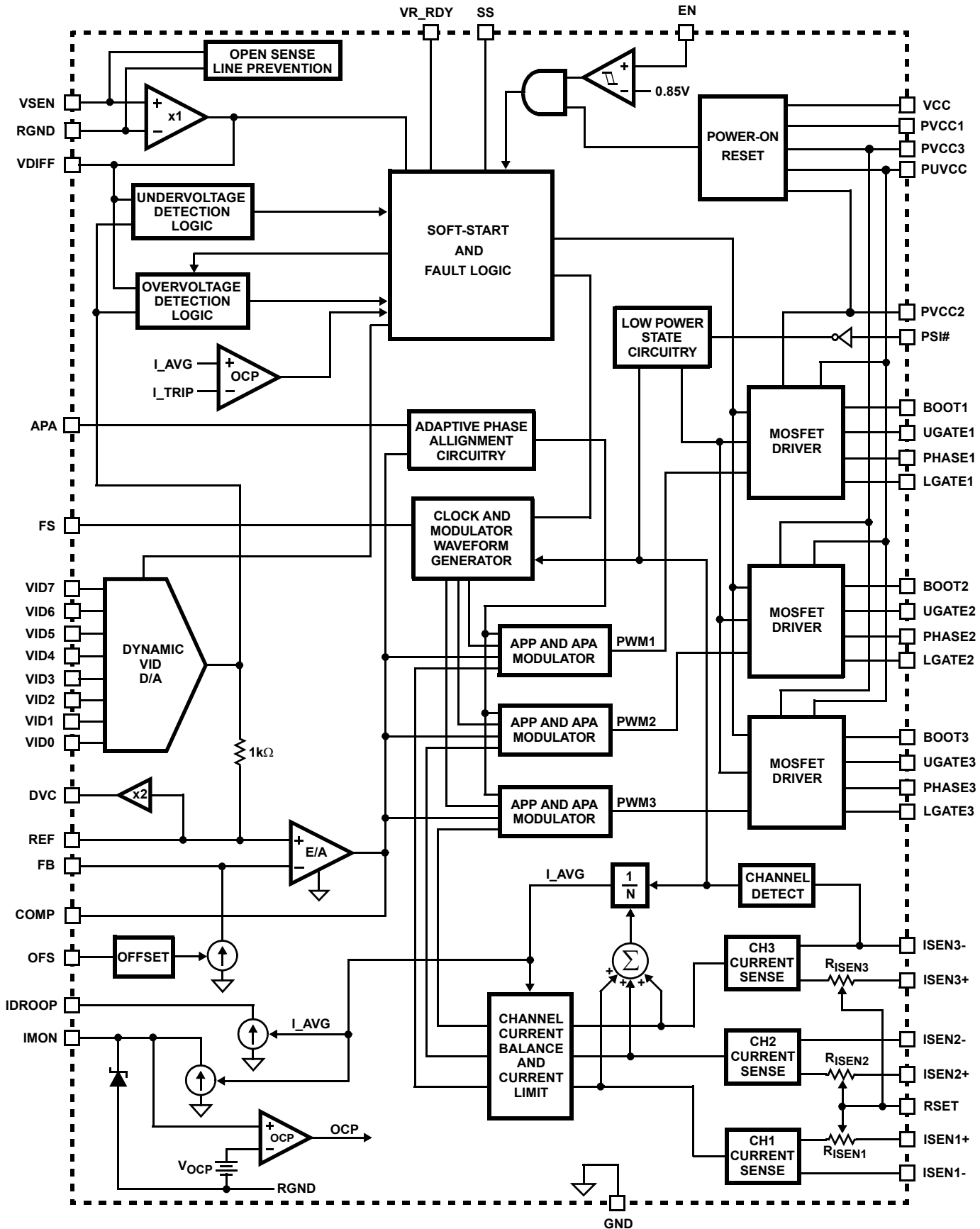
### Integrated Driver Block Diagram



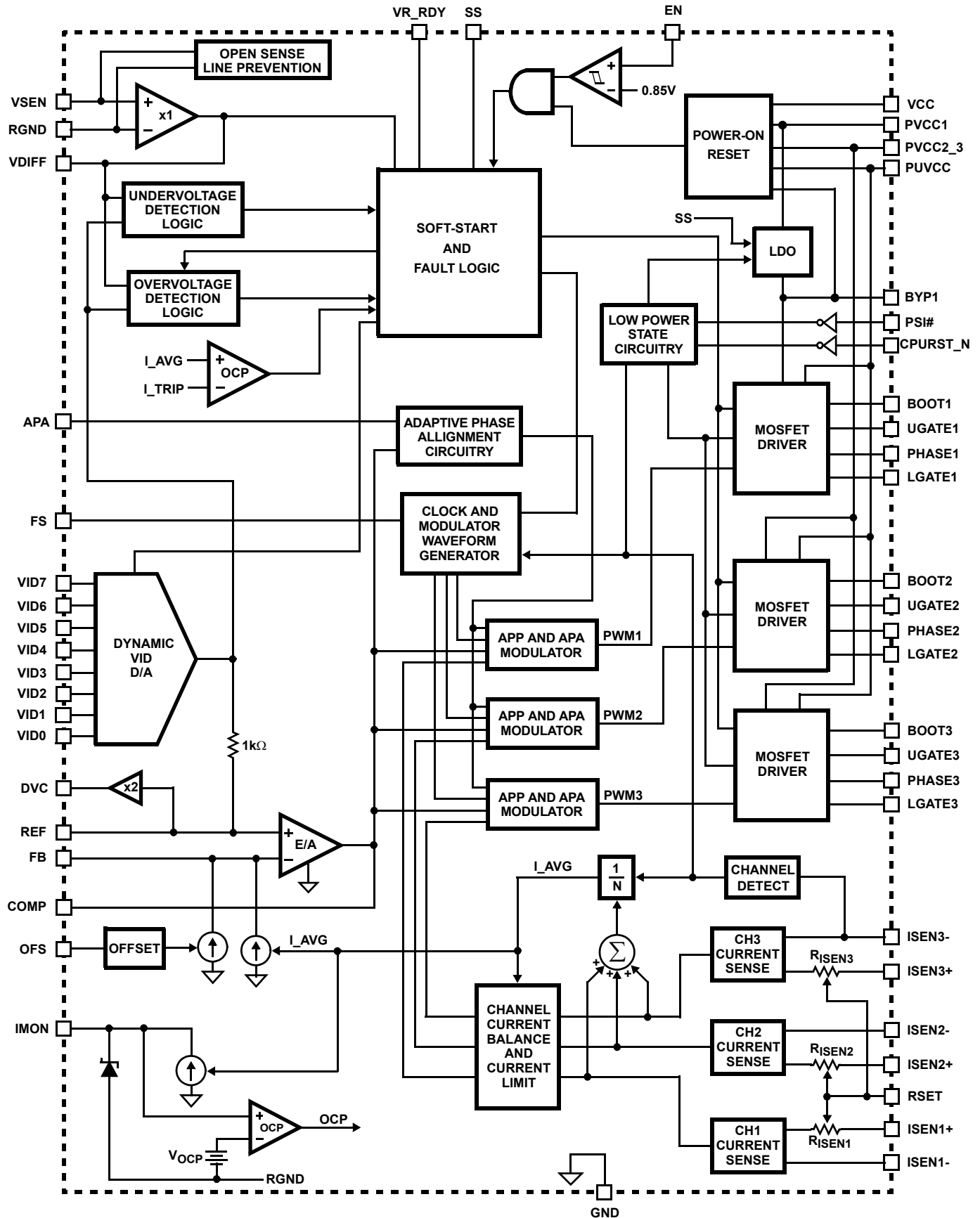
**Block Diagram - ISL6333**



**Block Diagram - ISL6333A**

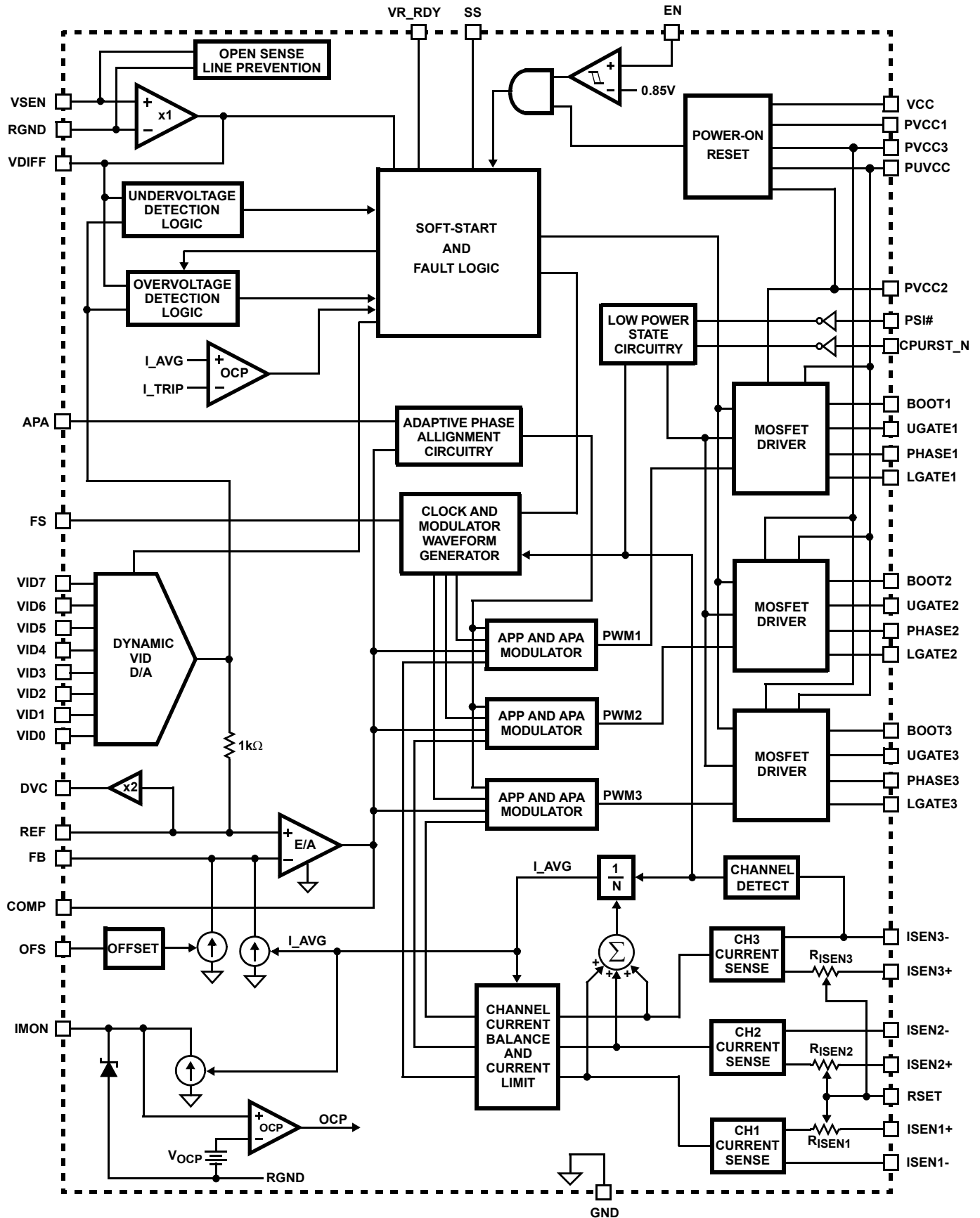


**Block Diagram - ISL6333B**

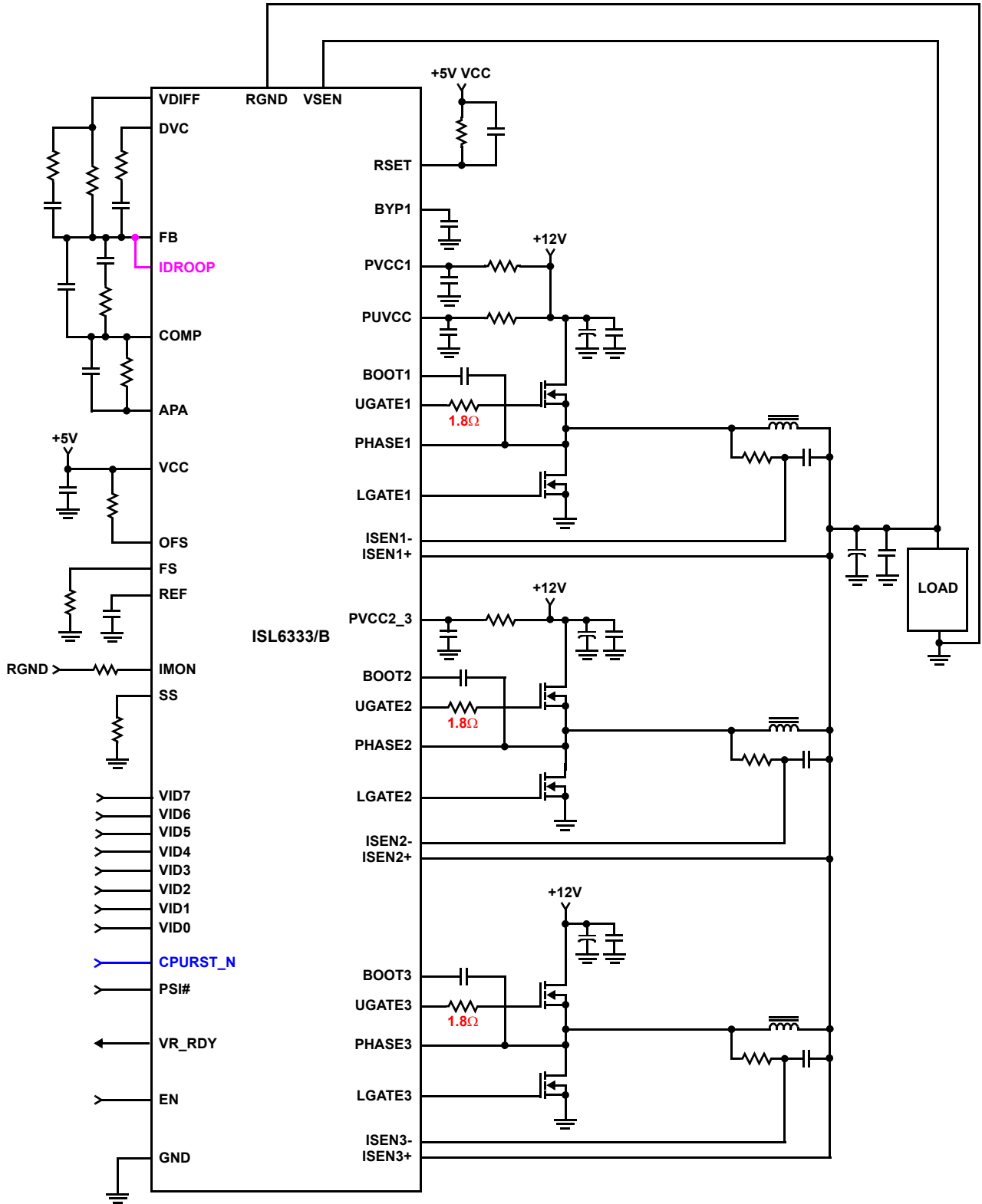




**Block Diagram - ISL6333C**



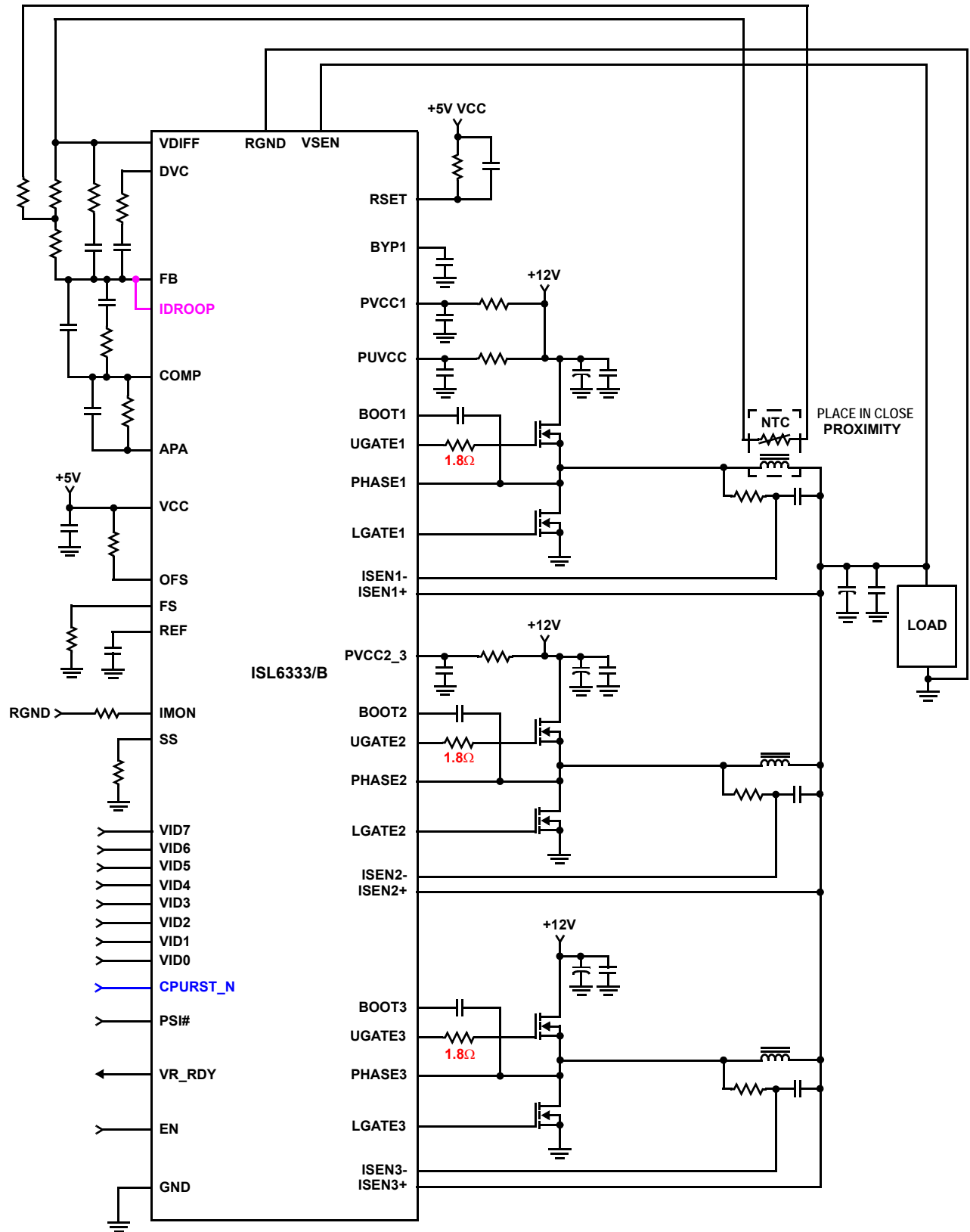
**Typical Application Diagram - ISL6333, ISL6333B**



\*NOTE: ISL6333 - Connect the IDROOP pin to the FB pin. The CPURST\_N pin does not exist.

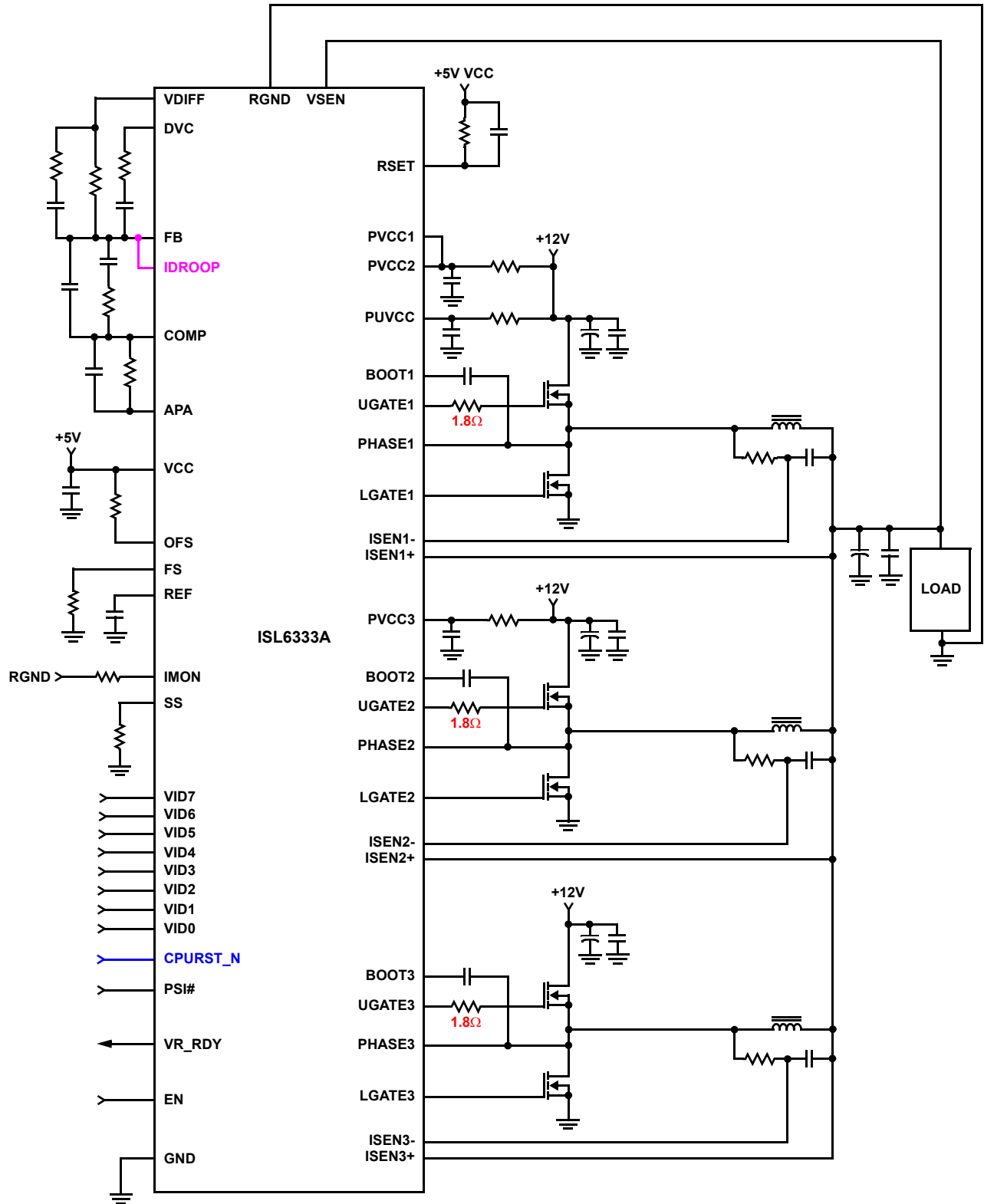
\*NOTE: ISL6333B - The CPURST\_N pin should connect to the CPURST\_N signal. The IDROOP pin does not exist.

**Typical Application Diagram - ISL6333, ISL6333B with NTC Thermal Compensation**



\*NOTE: ISL6333 - Connect the IDROOP pin to the FB pin. The CPURST\_N pin does not exist.  
 \*NOTE: ISL6333B - The CPURST\_N pin should connect to the CPURST\_N signal. The IDROOP pin does not exist.

**Typical Application Diagram - ISL6333A, ISL6333C**



\*NOTE: ISL6333A - Connect the IDROOP pin to the FB pin. The CPURST\_N pin does not exist.

\*NOTE: ISL6333C - The CPURST\_N pin should connect to the CPURST\_N signal. The IDROOP pin does not exist.

**Absolute Maximum Ratings**

Supply Voltage, VCC . . . . . -0.3V to +6V  
 Supply Voltage, PVCC . . . . . -0.3V to +15V  
 Absolute BOOT Voltage, V<sub>BOOT</sub> . . . . . GND - 0.3V to GND + 36V  
 PHASE Voltage, V<sub>PHASE</sub> . . . . . GND - 8V (<400ns, 20μJ) to 30V  
 (<200ns, V<sub>BOOT</sub> - V<sub>GND</sub> < 36V)  
 UGATE Voltage, V<sub>UGATE</sub> . . . . . V<sub>PHASE</sub> - 0.3V to V<sub>BOOT</sub> + 0.3V  
 V<sub>PHASE</sub> - 3.5V (<100ns Pulse Width, 2μJ) to V<sub>BOOT</sub> + 0.3V  
 LGATE Voltage, V<sub>LGATE</sub> . . . . . GND - 0.3V to PVCC + 0.3V  
 GND - 5V (<100ns Pulse Width, 2μJ) to PVCC + 0.3V  
 Input, Output, or I/O Voltage . . . . . GND - 0.3V to VCC + 0.3V

**Thermal Information**

Thermal Resistance  $\theta_{JA}$  (°C/W)  $\theta_{JC}$  (°C/W)  
 QFN Package (Notes 1, 2) . . . . . 28 1.5  
 Maximum Junction Temperature . . . . . +150°C  
 Maximum Storage Temperature Range . . . . . -65°C to +150°C  
 Pb-free Reflow Profile . . . . . see link below  
<http://www.intersil.com/pbfree/Pb-FreeReflow.asp>

**Recommended Operating Conditions**

VCC Supply Voltage . . . . . +5V ±5%  
 PVCC Supply Voltage . . . . . +5V to 12V ±5%  
 Ambient Temperature  
 ISL6333CRZ, ISL6333ACRZ, ISL6333BCRZ,  
 ISL6333CCRZ . . . . . 0°C to +70°C  
 ISL6333IRZ, ISL6333AIRZ, ISL6333BIRZ,  
 ISL6333CIRZ . . . . . -40°C to +85°C

*CAUTION: Do not operate at or near the maximum ratings listed for extended periods of time. Exposure to such conditions may adversely impact product reliability and result in failures not covered by warranty.*

**NOTES:**

1.  $\theta_{JA}$  is measured in free air with the component mounted on a high effective thermal conductivity test board with “direct attach” features. See Tech Brief TB379.
2. For  $\theta_{JC}$ , the “case temp” location is the center of the exposed metal pad on the package underside.

**Electrical Specifications** Recommended Operating Conditions. **Boldface limits apply over the operating temperature range.**

PARAMETER	TEST CONDITIONS	MIN (Note 4)	TYP	MAX (Note 4)	UNITS
<b>BIAS SUPPLIES</b>					
Input Bias Supply Current	I <sub>VCC</sub> ; EN = high	<b>13</b>	16.7	<b>19.5</b>	mA
Lower Gate Drive Bias Current - PVCC1 Pin	I <sub>PVCC1</sub> ; EN = high	<b>0.7</b>	1.8	<b>4</b>	mA
Lower Gate Drive Bias Current - PVCC2_3 Pin (ISL6333, ISL6333B Only)	I <sub>PVCC2_3</sub> ; EN = high	<b>1.5</b>	2.6	<b>5</b>	mA
Lower Gate Drive Bias Current - PVCC3 Pin (ISL6333A, ISL6333C Only)	I <sub>PVCC3</sub> ; EN = high	<b>1.5</b>	2.6	<b>5</b>	mA
Upper Gate Drive Bias Current - PUVCC Pin	I <sub>UVCC</sub> ; EN = high	<b>0.6</b>	1	<b>1.4</b>	mA
VCC POR (Power-On Reset) Threshold	VCC rising	<b>4.25</b>	4.41	<b>4.50</b>	V
	VCC falling	<b>3.75</b>	3.85	<b>4.00</b>	V
PVCC POR (Power-On Reset) Threshold	PVCC1, PVCC2_3, PUVCC rising	<b>4.30</b>	4.42	<b>4.55</b>	V
	PVCC1, PVCC2_3, PUVCC falling	<b>3.70</b>	3.83	<b>3.95</b>	V
BYP1 POR (Power-On Reset) Threshold	BYP1 rising	<b>4.20</b>	4.40	<b>4.55</b>	V
	BYP1 falling	<b>3.70</b>	3.80	<b>3.90</b>	V
<b>PWM MODULATOR</b>					
Oscillator Frequency Accuracy, F <sub>SW</sub> (ISL6333CRZ, ISL6333ACRZ, ISL6333BCRZ, ISL6333CCRZ)	R <sub>T</sub> = 100kΩ (± 0.1%)	<b>225</b>	250	<b>275</b>	kHz
Oscillator Frequency Accuracy, F <sub>SW</sub> (ISL6333IRZ, ISL6333AIRZ, ISL6333BIRZ, ISL6333CIRZ)	R <sub>T</sub> = 100kΩ (± 0.1%) (Note 3)	<b>215</b>	250	<b>280</b>	kHz
Adjustment Range of Switching Frequency	(Note 3)	<b>0.08</b>	-	<b>1.0</b>	MHz

**Electrical Specifications** Recommended Operating Conditions. **Boldface limits apply over the operating temperature range. (Continued)**

PARAMETER	TEST CONDITIONS	MIN (Note 4)	TYP	MAX (Note 4)	UNITS
Oscillator Ramp Amplitude, $V_{P-P}$	(Note 3)	-	1.50	-	V
<b>CONTROL THRESHOLDS</b>					
EN Rising Threshold		<b>0.84</b>	0.86	<b>0.88</b>	V
EN Hysteresis		<b>96</b>	104	<b>120</b>	mV
<b>REFERENCE AND DAC</b>					
System Accuracy (1.000V to 1.600V)		<b>-0.5</b>	-	<b>0.5</b>	%
System Accuracy (0.600V to 1.000V)		<b>-1.0</b>	-	<b>1.0</b>	%
System Accuracy (0.400V to 0.600V)		<b>-2.0</b>	-	<b>2.0</b>	%
DAC Input Low Voltage		-	-	<b>0.4</b>	V
DAC Input High Voltage		<b>0.8</b>	-	-	V
<b>PSI# INPUT</b>					
PSI# Input Low Voltage Threshold		-	-	<b>0.4</b>	V
PSI# Input High Voltage Threshold		<b>0.8</b>	-	-	V
<b>PIN-ADJUSTABLE OFFSET</b>					
OFS Sink Current Accuracy (Negative Offset)	$R_{OFS} = 32.4k\Omega$ from OFS to VCC	<b>-52.0</b>	-50.3	<b>-48.0</b>	$\mu A$
OFS Source Current Accuracy (Positive Offset)	$R_{OFS} = 6.04k\Omega$ from OFS to GND	<b>47.0</b>	48.7	<b>51.0</b>	$\mu A$
<b>ERROR AMPLIFIER</b>					
DC Gain	$R_L = 10k$ to ground, (Note 3)	-	96	-	dB
Gain-Bandwidth Product	$C_L = 100pF$ , $R_L = 10k$ to ground, (Note 3)	-	40	-	MHz
Slew Rate	$C_L = 100pF$ , Load = $\pm 400\mu A$ , (Note 3)	-	20	-	V/ $\mu s$
Maximum Output Voltage	Load = 1mA	<b>4.00</b>	4.196	-	V
Minimum Output Voltage	Load = -1mA	-	1.231	<b>1.60</b>	V
<b>SOFT-START RAMP</b>					
Soft-Start Ramp Rate	$R_S = 100k\Omega$	<b>1.15</b>	1.274	<b>1.37</b>	mV/ $\mu s$
Adjustment Range of Soft-Start Ramp Rate	(Note 3)	<b>0.156</b>	-	<b>6.25</b>	mV/ $\mu s$
<b>CURRENT SENSING</b>					
IDROOP Current Sense Offset	$R_{SET} = 40.2k\Omega$ , $V_{ISEN1+} = V_{ISEN2+} = 0V$	<b>-2.5</b>	0	<b>2.5</b>	$\mu A$
IDROOP Current Sense Gain	$R_{SET} = 40.2k\Omega$ , $V_{ISEN1} = V_{ISEN2} = 24mV$	<b>77.5</b>	81.2	<b>85</b>	$\mu A$
<b>OVERCURRENT PROTECTION</b>					
Overcurrent Trip Level - Average Channel	Normal operation	<b>88</b>	100	<b>110</b>	$\mu A$
	Dynamic VID change	<b>120</b>	140	<b>160</b>	$\mu A$
Overcurrent Trip Level - Individual Channel	Normal operation	<b>120</b>	138	<b>160</b>	$\mu A$
	Dynamic VID change	<b>170</b>	195	<b>222</b>	$\mu A$
IMON Pin Clamped Overcurrent Level		<b>1.1</b>	1.127	<b>1.15</b>	V
<b>OVERVOLTAGE AND UNDERVOLTAGE PROTECTION</b>					
Undervoltage Threshold	VSEN falling	<b>0.48*VDAC</b>	0.503*VDAC	<b>0.525*VDAC</b>	V
Undervoltage Hysteresis	VSEN rising	<b>0.02*VDAC</b>	0.084*VDAC	<b>0.15*VDAC</b>	V

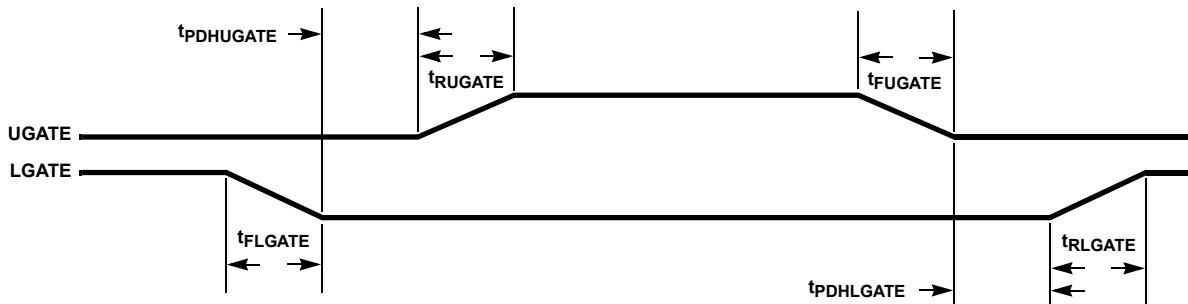
**Electrical Specifications** Recommended Operating Conditions. **Boldface limits apply over the operating temperature range. (Continued)**

PARAMETER	TEST CONDITIONS	MIN (Note 4)	TYP	MAX (Note 4)	UNITS
Overvoltage Threshold During Soft-Start		<b>1.260</b>	1.280	<b>1.300</b>	V
Overvoltage Threshold	VR11, VSEN rising	<b>VDAC + 160mV</b>	VDAC + 175mV	<b>VDAC + 194mV</b>	V
Overvoltage Hysteresis	VSEN falling	<b>90</b>	108	<b>120</b>	mV
<b>SWITCHING TIME (Note 3)</b>					
UGATE Rise Time	$t_{RUGATE}$ ; $V_{PVCC} = 12V$ , 3nF load, 10% to 90%	-	26	-	ns
LGATE Rise Time	$t_{RLGATE}$ ; $V_{PVCC} = 12V$ , 3nF load, 10% to 90%	-	18	-	ns
UGATE Fall Time	$t_{FUGATE}$ ; $V_{PVCC} = 12V$ , 3nF load, 90% to 10%	-	18	-	ns
LGATE Fall Time	$t_{FLGATE}$ ; $V_{PVCC} = 12V$ , 3nF load, 90% to 10%	-	12	-	ns
UGATE Turn-On Non-Overlap	$t_{PDHUGATE}$ ; $V_{PVCC} = 12V$ , 3nF load, adaptive	-	10	-	ns
LGATE Turn-On Non-Overlap	$t_{PDHLGATE}$ ; $V_{PVCC} = 12V$ , 3nF load, adaptive	-	10	-	ns
<b>GATE DRIVE RESISTANCE (Note 3)</b>					
Upper Drive Source Resistance	$V_{PVCC} = 12V$ , 15mA source current	-	2.0	-	$\Omega$
Upper Drive Sink Resistance	$V_{PVCC} = 12V$ , 15mA sink current	-	1.35	-	$\Omega$
Lower Drive Source Resistance	$V_{PVCC} = 12V$ , 15mA source current	-	1.35	-	$\Omega$
Lower Drive Sink Resistance	$V_{PVCC} = 12V$ , 15mA sink current	-	0.90	-	$\Omega$
<b>OVER-TEMPERATURE SHUTDOWN (Note 3)</b>					
Thermal Shutdown Setpoint		-	160	-	$^{\circ}C$
Thermal Recovery Setpoint		-	100	-	$^{\circ}C$

NOTES:

- Limits established by characterization and are not production tested.
- Parameters with MIN and/or MAX limits are 100% tested at +25 $^{\circ}C$ , unless otherwise specified. Temperature limits established by characterization and are not production tested.

**Timing Diagram**



## Functional Pin Descriptions

### VCC

VCC is the bias supply for the ICs small-signal circuitry. Connect this pin to a +5V supply and decouple using a quality 0.1 $\mu$ F ceramic capacitor.

### PVCC1 (ISL6333, ISL6333B Only)

This pin is the input to an internal LDO that regulates the voltage on the BYP1 pin and should be connected to a +12V supply. It is very important that this pin is decoupled using a quality 1.0 $\mu$ F ceramic capacitor.

### PVCC2\_3 (ISL6333, ISL6333B Only)

This pin is the power supply pin for Channels 2 and 3 lower MOSFET drivers, and should be connected to a +12V supply. Decouple this pin with a quality 1.0 $\mu$ F ceramic capacitor.

### PVCC1, PVCC2, and PVCC3 (ISL6333A, ISL6333C Only)

These pins are the power supply pins for Channels 1, 2, and 3 lower MOSFET drivers, and should be connected to a +12V supply. Decouple these pins with quality 1.0 $\mu$ F ceramic capacitors

### PUVCC

This pin is the power supply pin for Channels 1, 2, and 3 upper MOSFET drivers, and can be connected to any voltage from +5V to +12V depending on the desired MOSFET gate-drive level. Decouple this pin with a quality 1.0 $\mu$ F ceramic capacitor.

### BYP1 (ISL6333, ISL6333B Only)

This pin is the output of an internal LDO which powers Channel 1 lower MOSFET driver. A quality 1.0 $\mu$ F ceramic capacitor should be placed from this pin to ground.

### GND

GND is the bias and reference ground for the IC.

### EN

This pin is a threshold-sensitive (approximately 0.86V) enable input for the controllers. Held low, this pin disables controller operation. Pulled high, the pin enables the controller for operation.

### FS

A resistor,  $R_{FS}$ , tied from this pin to ground sets the channel switching frequency of the controller. Refer to Equation 46 for proper resistor calculation.

The FS pin also determines whether the controllers operate in the coupled inductor mode or the standard inductor mode of operation. Tying the  $R_{FS}$  resistor to ground will set the controllers to operate in standard inductor mode. Tying the  $R_{FS}$  resistor to VCC sets the controllers to operate in coupled inductor mode.

### VID0, VID1, VID2, VID3, VID4, VID5, VID6, and VID7

These are the inputs for the internal DAC that provide the reference voltage for output regulation. These pins respond to TTL logic thresholds. These pins are internally pulled high to approximately 1.2V, by 40 $\mu$ A internal current sources. The internal pull-up current decreases to 0 as the VID voltage approaches the internal pull-up voltage. All VID pins are compatible with external pull-up voltages not exceeding the IC's bias voltage (VCC).

### VSEN and RGND

VSEN and RGND are inputs to the precision differential remote-sense amplifier and should be connected to the sense pins of the remote load.

### VDIFF

VDIFF is the output of the differential remote-sense amplifier. The voltage on this pin is equal to the difference between VSEN and RGND.

### FB and COMP

These pins are the internal error amplifier inverting input and output respectively. The FB pin, COMP pin, and the VDIFF pins are tied together through external R-C networks to compensate the regulator.

### DVC

A series resistor and capacitor can be connected from the DVC pin to the FB pin to compensate and smooth dynamic VID transitions.

### IDROOP (ISL6333, ISL6333A Only)

The IDROOP pin is the average channel-current sense output. Connecting this pin directly to FB allows the converter to incorporate output voltage droop proportional to the output current. If voltage droop is not desired leave this pin unconnected.

### IMON

The IMON pin is the average channel-current sense output. This pin is used as a load current indicator to monitor the output load current.

### APA

This is the Adaptive Phase Alignment set pin. A 100 $\mu$ A current flows into the APA pin and by tying a resistor from this pin to COMP the trip level for the Adaptive Phase Alignment circuitry can be set.

### REF

The REF input pin is the positive input of the error amplifier. It is internally connected to the DAC output through a 1k $\Omega$  resistor. A capacitor is used between the REF pin and ground to smooth the voltage transition during soft-start and Dynamic VID transitions. This pin can also be bypassed to RGND if desired.



**RSET**

Connect this pin to VCC through a resistor to set the effective value of the internal  $R_{ISEN}$  current sense resistors. It is recommended a 0.1 $\mu$ F ceramic capacitor be placed in parallel with this resistor for noise immunization.

**OFS**

The OFS pin provides a means to program a DC current for generating an offset voltage across the resistor between FB and VSEN. The offset current is generated via an external resistor and precision internal voltage references. The polarity of the offset is selected by connecting the resistor to GND or VCC. For no offset, the OFS pin should be left unconnected.

**ISEN1-, ISEN1+, ISEN2-, ISEN2+, ISEN3-, and ISEN3+**

These pins are used for differentially sensing the corresponding channel output currents. The sensed currents are used for channel balancing, protection and load line regulation.

Connect ISEN1-, ISEN2-, and ISEN3- to the node between the RC sense elements surrounding the inductor of their respective channel. Tie the ISEN+ pins to the VCORE side of their corresponding channel's sense capacitor.

Tying ISEN3- to VCC programs the part for two-phase operation.

**UGATE1, UGATE2, and UGATE3**

Connect these pins to their corresponding upper MOSFET gates through 1.8 $\Omega$  resistors. These pins are used to control the upper MOSFETs and are monitored for shoot-through prevention purposes.

**BOOT1, BOOT2, and BOOT3**

These pins provide the bias voltage for the corresponding upper MOSFET drives. Connect these pins to appropriately chosen external bootstrap capacitors. Internal bootstrap diodes connected to the PVCC pin provides the necessary bootstrap charge.

**PHASE1, PHASE2, and PHASE3**

Connect these pins to the sources of the corresponding upper MOSFETs. These pins are the return path for the upper MOSFET drives.

**LGATE1, LGATE2, and LGATE3**

These pins are used to control the lower MOSFETs. Connect these pins to the corresponding lower MOSFETs' gates.

**SS**

A resistor,  $R_{SS}$ , placed from SS to ground or VCC, will set the soft-start ramp slope. Refer to Equations 20 and 21 for proper resistor calculation.

On the ISL6333 and ISL6333B the SS pin also determines what voltage level the internal LDO regulates the BYP1 pin to when PSI# is low. Tying the  $R_{SS}$  resistor to ground

regulates BYP1 to 5.75V. Tying the  $R_{SS}$  resistor to VCC, regulates BYP1 to 7.75V.

**VR\_RDY**

VR\_RDY indicates whether VDIFF is within specified overvoltage and undervoltage limits after a fixed delay from the end of soft-start. It is an open-drain logic output. If VDIFF exceeds these limits, an overcurrent event occurs, or if the part is disabled, VR\_RDY is pulled low. VR\_RDY is always low prior to the end of soft-start.

**PSI#**

The PSI# pin is a digital logic input pin used to indicate whether the controllers should be in a low power state of operation or not. When PSI# is HIGH the controllers will run in it's normal power state. When PSI# is LOW the controllers will change their operating state to improve light load efficiency. The controllers resume normal operation when this pin is pulled HIGH again.

**CPURST\_N (ISL6333B, ISL6333C Only)**

The CPURST\_N pin is a digital logic input pin used in conjunction with the PSI# pin to indicate whether the ISL6333B and ISL6333C should be in a lower power state of operation or not. If CPURST\_N is high, the operating state of the controllers can be changed to improve light load efficiency by setting PSI# low. If CPURST\_N is low, the controllers cannot be put into it's light load operating state. Once CPURST\_N toggles high again, there is a 50ms delay before the controllers are allowed to enter a low power state.

**Operation****Multi-phase Power Conversion**

Microprocessor load current profiles have changed to the point that using single-phase regulators is no longer a viable solution. Designing a regulator that is cost-effective, thermally sound, and efficient has become a challenge that only multi-phase converters can accomplish. The ISL6333 family of controllers help simplify implementation by integrating vital functions and requiring minimal external components. The block diagrams provide a top level view of multi-phase power conversion using the ISL6333 family of controllers.

**Interleaving**

The switching of each channel in a multi-phase converter is timed to be symmetrically out-of-phase with each of the other channels. In a 3-phase converter, each channel switches 1/3 cycle after the previous channel and 1/3 cycle before the following channel. As a result, the three-phase converter has a combined ripple frequency 3x greater than the ripple frequency of any one phase. In addition, the peak-to-peak amplitude of the combined inductor currents is reduced in proportion to the number of phases (Equations 1 and 2). Increased ripple frequency and lower ripple amplitude mean that the designer can use less per-channel inductance and lower total output capacitance for any performance specification.

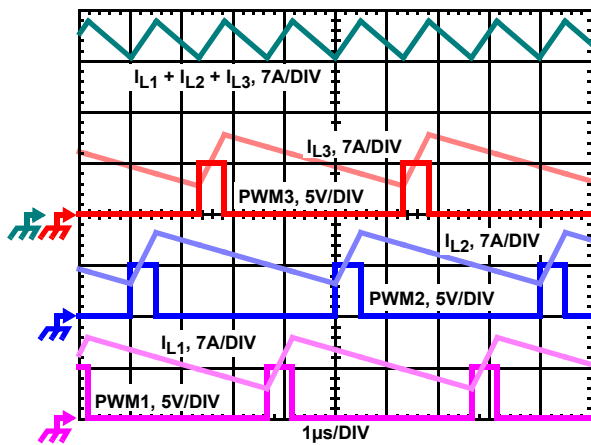


FIGURE 1. PWM AND INDUCTOR-CURRENT WAVEFORMS FOR 3-PHASE CONVERTER

Figure 1 illustrates the multiplicative effect on output ripple frequency. The three channel currents ( $I_{L1}$ ,  $I_{L2}$ , and  $I_{L3}$ ) combine to form the AC ripple current and the DC load current. The ripple component has three times the ripple frequency of each individual channel current. Each PWM pulse is terminated 1/3 of a cycle after the PWM pulse of the previous phase. The peak-to-peak current for each phase is about 7A, and the DC components of the inductor currents combine to feed the load.

To understand the reduction of ripple current amplitude in the multi-phase circuit, examine the equation representing an individual channel peak-to-peak inductor current.

$$I_{PP} = \frac{(V_{IN} - V_{OUT}) \cdot V_{OUT}}{L \cdot f_S \cdot V_{IN}} \quad (\text{EQ. 1})$$

In Equation 1,  $V_{IN}$  and  $V_{OUT}$  are the input and output voltages respectively,  $L$  is the single-channel inductor value, and  $f_S$  is the switching frequency.

The output capacitors conduct the ripple component of the inductor current. In the case of multi-phase converters, the capacitor current is the sum of the ripple currents from each of the individual channels. Compare Equation 1 to the expression for the peak-to-peak current after the summation of  $N$  symmetrically phase-shifted inductor currents in Equation 2. Peak-to-peak ripple current decreases by an amount proportional to the number of channels. Output voltage ripple is a function of capacitance, capacitor equivalent series resistance (ESR), and inductor ripple current. Reducing the inductor ripple current allows the designer to use fewer or less costly output capacitors.

$$I_{C(PP)} = \frac{(V_{IN} - N \cdot V_{OUT}) \cdot V_{OUT}}{L \cdot f_S \cdot V_{IN}} \quad (\text{EQ. 2})$$

Another benefit of interleaving is to reduce input ripple current. Input capacitance is determined in part by the maximum input ripple current. Multi-phase topologies can improve overall system cost and size by lowering input ripple current and allowing the designer to reduce the cost of input

capacitance. The example in Figure 2 illustrates input currents from a three-phase converter combining to reduce the total input ripple current.

The converter depicted in Figure 2 delivers 1.5V to a 36A load from a 12V input. The RMS input capacitor current is 5.9A. Compare this to a single-phase converter also stepping down 12V to 1.5V at 36A. The single-phase converter has 11.9A<sub>RMS</sub> input capacitor current. The single-phase converter must use an input capacitor bank with twice the RMS current capacity as the equivalent three-phase converter.

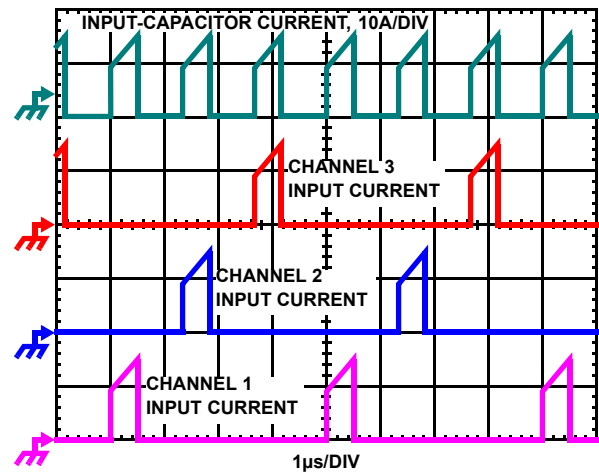


FIGURE 2. CHANNEL INPUT CURRENTS AND INPUT-CAPACITOR RMS CURRENT FOR 3-PHASE CONVERTER

### Active Pulse Positioning (APP) Modulated PWM Operation

The controllers use a proprietary Active Pulse Positioning (APP) modulation scheme to control the internal PWM signals that command each channel's driver to turn their upper and lower MOSFETs on and off. The time interval in which a PWM signal can occur is generated by an internal clock, whose cycle time is the inverse of the switching frequency set by the resistor connected to the FS pin. The advantage of Intersil's proprietary Active Pulse Positioning (APP) modulator is that the PWM signal has the ability to turn on at any point during this PWM time interval, and turn off immediately after the PWM signal transitions high. This is important because it allows the controllers to quickly respond to output voltage drops associated with current load spikes, while avoiding the ring back affects associated with other modulation schemes.

The PWM output state is driven by the position of the error amplifier output signal,  $V_{COMP}$  minus the current correction signal relative to the proprietary modulator ramp waveform as illustrated in Figure 4. At the beginning of each PWM time interval, this modified  $V_{COMP}$  signal is compared to the internal modulator waveform. As long as the modified  $V_{COMP}$  voltage is lower than the modulator waveform voltage, the PWM signal is commanded low. The internal MOSFET driver detects the low state of the PWM signal and turns off the

upper MOSFET and turns on the lower synchronous MOSFET. When the modified  $V_{COMP}$  voltage crosses the modulator ramp, the PWM output transitions high, turning off the synchronous MOSFET and turning on the upper MOSFET. The PWM signal will remain high until the modified  $V_{COMP}$  voltage crosses the modulator ramp again. When this occurs the PWM signal will transition low again.

During each PWM time interval, the PWM signal can only transition high once. Once PWM transitions high it cannot transition high again until the beginning of the next PWM time interval. This prevents the occurrence of double PWM pulses occurring during a single period.

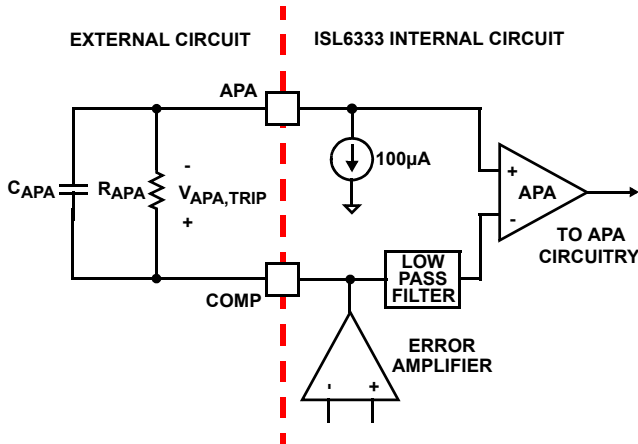


FIGURE 3. ADAPTIVE PHASE ALIGNMENT DETECTION

**Adaptive Phase Alignment (APA)**

To further improve the transient response, the controllers also implement Intersil’s proprietary Adaptive Phase Alignment (APA) technique, which turns on all of the channels together at the same time during large current step, high di/dt transient events. As Figure 3 shows, the APA circuitry works by monitoring the voltage on the APA pin and comparing it to a filtered copy of the voltage on the COMP pin. The voltage on the APA pin is a copy of the COMP pin voltage that has been negatively offset. If the APA pin exceeds the filtered COMP pin voltage an APA event occurs and all of the channels are forced on.

The APA trip level is the amount of DC offset between the COMP pin and the APA pin. This is the voltage excursion that the APA and COMP pin must have during a transient event to activate the Adaptive Phase Alignment circuitry. This APA trip level is set through a resistor,  $R_{APA}$ , that connects from the APA pin to the COMP pin. A  $100\mu A$  current flows across  $R_{APA}$  into the APA pin to set the APA trip level as described in Equation 3. An APA trip level of 500mV is recommended for most applications. A 1000pF capacitor,  $C_{APA}$ , should also be placed across the  $R_{APA}$  resistor to help with noise immunity.

$$V_{APA(TRIP)} = R_{APA} \cdot 100 \times 10^{-6} \tag{EQ. 3}$$

**Number of Active Channels**

The default number of active channels on the controllers is three for 3-phase operation. If 2-phase operation is desired, the ISEN3- pin should be tied to the VCC pin. This will disable Channel 3, so only Channel 1 and 2 will fire. In 2-phase operation all of the Channel 3 pins should be left unconnected including the PHASE3, LGATE3, UGATE3, BOOT3, and ISEN3+ pins.

**PSI# (Low Power State) Operation**

The controllers are designed to operate in both their normal power state for high efficiency at heavy loads, and a low power state to increase the regulator’s light load efficiency. The power state of the regulator is controlled by the PSI# pin, which is a digital logic input. When this pin is set HIGH the regulators will operate in their normal power state, with all active channels firing in continuous conduction mode (CCM). When the PSI# pin is set LOW the controllers change their operating state to the low power state to increase light load efficiency. The different controllers have different low power operating states as described in Table 1 and the following sections.

TABLE 1. POWER STATE OPERATION DESCRIPTION

CONTROLLER	PSI#	PHASE COUNT	CCM OR DEM	GVOT
ISL6333, ISL6333B	HIGH	3/2-phase	CCM	Yes
	LOW	1-phase	DEM	Yes
ISL6333A, ISL6333C	HIGH	3/2-phase	CCM	No
	LOW	1-phase	CCM	No

It’s important to note that during soft-start and dynamic VID transitions the PSI# pin is ignored and the controllers are forced to run in their normal power state. The state of the PSI# pin is considered again at the end of a successful soft-start sequence or dynamic VID transition.

**ISL6333, ISL6333B LOW POWER STATE**

On the ISL6333 and ISL6333B, when the PSI# pin is set LOW, the controllers change their operating state in multiple ways. First, all active channels are turned off except for Channel 1. Channel 1 continues to operate but does so in diode emulation mode (DEM). DEM only allows the upper and lower MOSFETs to turn on to allow positive current to flow through the output inductor. If the inductor current falls to 0A during a switching cycle, both the lower and upper MOSFETs are turned off to allow no negative current to build up in the inductor. This helps to decrease the conduction losses of the MOSFETs and the inductor at very low load currents.

When the ISL6333 and ISL6333B are operating in DEM, it’s important for the controllers to know whether the output inductors are standard inductors or coupled inductors. PWM operation is optimized for use with coupled inductors by minimizing switching losses and body-diode conduction

losses. The FS pin determines whether the controllers operate in the coupled inductor mode or the standard inductor mode of operation. Tying the FS pin resistor,  $R_{FS}$ , to ground will set the controllers to operate in standard inductor mode. Tying the  $R_{FS}$  resistor to VCC sets the controllers to operate in coupled inductor mode.

When  $PSI\#$  is set LOW, the ISL6333 and ISL6333B also utilize the new Gate Voltage Optimization Technology (GVOT) to reduce Channel 1 lower MOSFET gate drive voltage. The controllers are designed to optimize the Channel 1 lower MOSFET gate drive voltage to ensure high efficiency in both normal and low power states. In the low power state where the converter load current is low, MOSFET driving loss is a higher percentage of the power loss associated with the lower MOSFET. In low power state, the lower gate drive voltage can therefore be reduced to decrease the driving losses of the lower MOSFETs and increase the system efficiency. More information about this can be found in the "Gate Voltage Optimization Technology (GVOT) (ISL6333, ISL6333B Only)" on page 27.

When the  $PSI\#$  pin is set HIGH, the controllers will immediately begin returning the regulator to its normal power state, by turning on all the active channels, placing them in CCM mode, and increasing the Channel 1 lower gate drive voltage back to its original level.

**ISL6333A, ISL6333C LOW POWER STATE**

On the ISL6333A and ISL6333C, when the  $PSI\#$  pin is set LOW, the controllers change their operating state by turning off all active channels except for Channel 1. This is the only change made to the regulator. Channel 1 continues to operate in CCM just as it does in the normal power state. When the  $PSI\#$  pin is set HIGH, the controllers immediately begin returning the regulator to its normal power state, by turning on all the active channels.

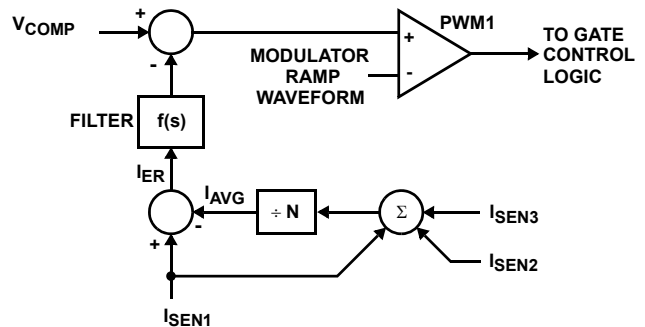
**CPURST\_N Operation (ISL6333B, ISL6333C Only)**

The ISL6333B and ISL6333C both include a CPURST\_N pin which can be utilized by microprocessors that have a CPURST\_N output. The CPURST\_N pin is a digital input used in conjunction with the  $PSI\#$  pin to indicate whether the controllers should be in a lower power state of operation or not. If CPURST\_N is HIGH, the operating state of the controllers is controlled by the  $PSI\#$  pin. If CPURST\_N is LOW, the controllers will only run in their normal power state and cannot be put into their light load power state. Once CPURST\_N toggles HIGH again, there is a 50ms delay before the controllers recognize the state of the  $PSI\#$  pin.

**Channel Current Balance**

One important benefit of multi-phase operation is the thermal advantage gained by distributing the dissipated heat over multiple devices and greater area. By doing this the designer avoids the complexity of driving parallel MOSFETs and the expense of using expensive heat sinks and exotic magnetic materials.

In order to realize the thermal advantage, it is important that each channel in a multi-phase converter be controlled to carry equal amounts of current at any load level. To achieve this, the currents through each channel must be sensed continuously every switching cycle. The sensed currents,  $I_{SEN}$ , from each active channel are summed together and divided by the number of active channels. The resulting cycle average current,  $I_{AVG}$ , provides a measure of the total load-current demand on the converter during each switching cycle. Channel current balance is achieved by comparing the sensed current of each channel to the cycle average current, and making the proper adjustment to each channel pulse width based on the error. Intersil's patented current-balance method is illustrated in Figure 4, with error correction for Channel 1 represented. In the figure, the cycle average current,  $I_{AVG}$ , is compared with the Channel 1 sensed current,  $I_{SEN1}$ , to create an error signal  $I_{ER}$ .



NOTE: CHANNEL 3 IS OPTIONAL.

FIGURE 4. CHANNEL-1 PWM FUNCTION AND CURRENT-BALANCE ADJUSTMENT

The filtered error signal modifies the pulse width commanded by  $V_{COMP}$  to correct any unbalance and force  $I_{ER}$  toward zero. The same method for error signal correction is applied to each active channel.

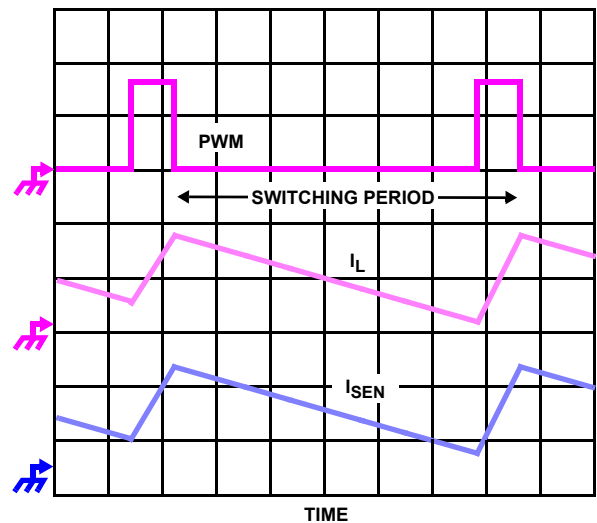


FIGURE 5. CONTINUOUS CURRENT SAMPLING

### Continuous Current Sensing

In order to realize proper current-balance, the currents in each channel are sensed continuously every switching cycle. During this time the current-sense amplifier uses the ISEN inputs to reproduce a signal proportional to the inductor current,  $I_L$ . This sensed current,  $I_{SEN}$ , is simply a scaled version of the inductor current.

The controllers support inductor DCR current sensing to continuously sense each channel's current for channel-current balance. The internal circuitry, shown in Figure 6 represents one channel of the controller. This circuitry is repeated for each channel in the converter, but may not be active depending on how many channels are operating.

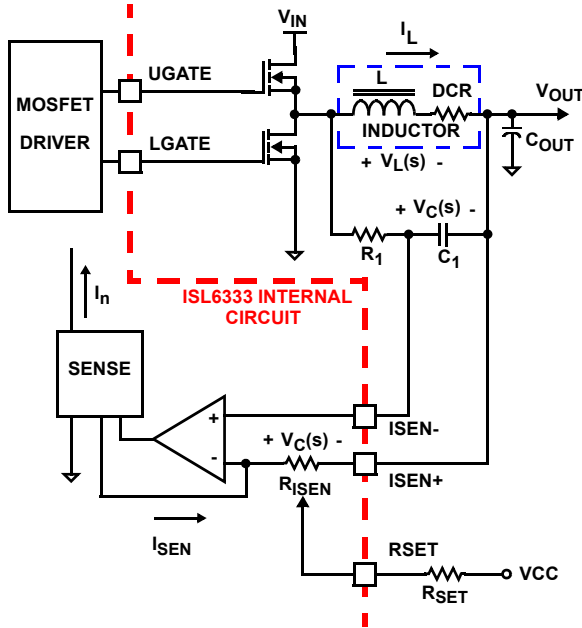


FIGURE 6. INDUCTOR DCR CURRENT SENSING CONFIGURATION

Inductor windings have a characteristic distributed resistance or DCR (Direct Current Resistance). For simplicity, the inductor DCR is considered as a separate lumped quantity, as shown in Figure 6. The channel current  $I_L$ , flowing through the inductor, passes through the DCR. Equation 4 shows the S-domain equivalent voltage,  $V_L$ , across the inductor.

$$V_L(s) = I_L \cdot (s \cdot L + DCR) \tag{EQ. 4}$$

A simple R-C network across the inductor ( $R_1$  and  $C$ ) extracts the DCR voltage, as shown in Figure 6. The voltage across the sense capacitor,  $V_C$ , can be shown to be proportional to the channel current  $I_L$ , shown in Equation 5.

$$V_C(s) = \frac{\left(\frac{s \cdot L}{DCR} + 1\right)}{(s \cdot R_1 \cdot C_1 + 1)} \cdot DCR \cdot I_L \tag{EQ. 5}$$

If the  $R_1$ - $C_1$  network components are selected such that their time constant matches the inductor  $L/DCR$  time constant, then  $V_C$  is equal to the voltage drop across the DCR.

The capacitor voltage  $V_C$ , is then replicated across the effective internal sense resistance,  $R_{ISEN}$ . This develops a current through  $R_{ISEN}$  which is proportional to the inductor current. This current,  $I_{SEN}$ , is continuously sensed and is then used by the controllers for load-line regulation, channel-current balancing, and overcurrent detection and limiting. Equation 6 shows that the proportion between the channel-current,  $I_L$ , and the sensed current,  $I_{SEN}$ , is driven by the value of the effective sense resistance,  $R_{ISEN}$ , and the DCR of the inductor.

$$I_{SEN} = I_L \cdot \frac{DCR}{R_{ISEN}} \tag{EQ. 6}$$

The effective internal  $R_{ISEN}$  resistance is important to the current sensing process because it sets the gain of the load line regulation loop as well as the gain of the channel-current balance loop and the overcurrent trip level. The effective internal  $R_{ISEN}$  resistance is user programmable and is set through use of the  $R_{SET}$  pin. Placing a single resistor,  $R_{SET}$ , from the  $R_{SET}$  pin to the  $VCC$  pin programs the effective internal  $R_{ISEN}$  resistance according to Equation 7.

$$R_{ISEN} = \frac{3}{400} \cdot R_{SET} \tag{EQ. 7}$$

The current sense circuitry operates in a very similar manner for negative current feedback, where inductor current is flowing from the output of the regulator to the PHASE node, opposite of flow pictured in Figure 6. However, the range of proper operation with negative current sensing is limited to ~60% of full positive current OCP threshold. Care should be taken to avoid operation with negative current feedback exceeding this threshold, as this may lead to momentary loss of current balance between phases and disruption of normal circuit operation.

### Output Voltage Setting

The controllers use a digital to analog converter (DAC) to generate a reference voltage based on the logic signals at the VID pins. The DAC decodes the logic signals into one of the discrete voltages shown in Table 2. Each VID pin is pulled up to an internal 1.2V voltage by a weak current source (40µA), which decreases to 0A as the voltage at the VID pin varies from 0 to the internal 1.2V pull-up voltage. External pull-up resistors or active-high output stages can augment the pull-up current sources, up to a voltage of 5V.

TABLE 2. VR11 VOLTAGE IDENTIFICATION CODES

VID7	VID6	VID5	VID4	VID3	VID2	VID1	VID0	VDAC
0	0	0	0	0	0	0	0	OFF
0	0	0	0	0	0	0	1	OFF
0	0	0	0	0	0	1	0	1.60000
0	0	0	0	0	0	1	1	1.59375
0	0	0	0	0	1	0	0	1.58750
0	0	0	0	0	1	0	1	1.58125
0	0	0	0	0	1	1	0	1.57500

TABLE 2. VR11 VOLTAGE IDENTIFICATION CODES (Continued)

VID7	VID6	VID5	VID4	VID3	VID2	VID1	VID0	VDAC
0	0	0	0	0	1	1	1	1.56875
0	0	0	0	1	0	0	0	1.56250
0	0	0	0	1	0	0	1	1.55625
0	0	0	0	1	0	1	0	1.55000
0	0	0	0	1	0	1	1	1.54375
0	0	0	0	1	1	0	0	1.53750
0	0	0	0	1	1	0	1	1.53125
0	0	0	0	1	1	1	0	1.52500
0	0	0	0	1	1	1	1	1.51875
0	0	0	1	0	0	0	0	1.51250
0	0	0	1	0	0	0	1	1.50625
0	0	0	1	0	0	1	0	1.50000
0	0	0	1	0	0	1	1	1.49375
0	0	0	1	0	1	0	0	1.48750
0	0	0	1	0	1	0	1	1.48125
0	0	0	1	0	1	1	0	1.47500
0	0	0	1	0	1	1	1	1.46875
0	0	0	1	1	0	0	0	1.46250
0	0	0	1	1	0	0	1	1.45625
0	0	0	1	1	0	1	0	1.45000
0	0	0	1	1	0	1	1	1.44375
0	0	0	1	1	1	0	0	1.43750
0	0	0	1	1	1	0	1	1.43125
0	0	0	1	1	1	1	0	1.42500
0	0	0	1	1	1	1	1	1.41875
0	0	1	0	0	0	0	0	1.41250
0	0	1	0	0	0	0	1	1.40625
0	0	1	0	0	0	1	0	1.40000
0	0	1	0	0	0	1	1	1.39375
0	0	1	0	0	1	0	0	1.38750
0	0	1	0	0	1	0	1	1.38125
0	0	1	0	0	1	1	0	1.37500
0	0	1	0	0	1	1	1	1.36875
0	0	1	0	1	0	0	0	1.36250
0	0	1	0	1	0	0	1	1.35625
0	0	1	0	1	0	1	0	1.35000
0	0	1	0	1	0	1	1	1.34375
0	0	1	0	1	1	0	0	1.33750
0	0	1	0	1	1	0	1	1.33125
0	0	1	0	1	1	1	0	1.32500

TABLE 2. VR11 VOLTAGE IDENTIFICATION CODES (Continued)

VID7	VID6	VID5	VID4	VID3	VID2	VID1	VID0	VDAC
0	0	1	0	1	1	1	1	1.31875
0	0	1	1	0	0	0	0	1.31250
0	0	1	1	0	0	0	1	1.30625
0	0	1	1	0	0	1	0	1.30000
0	0	1	1	0	0	1	1	1.29375
0	0	1	1	0	1	0	0	1.28750
0	0	1	1	0	1	0	1	1.28125
0	0	1	1	0	1	1	0	1.27500
0	0	1	1	0	1	1	1	1.26875
0	0	1	1	1	0	0	0	1.26250
0	0	1	1	1	0	0	1	1.25625
0	0	1	1	1	0	1	0	1.25000
0	0	1	1	1	0	1	1	1.24375
0	0	1	1	1	1	0	0	1.23750
0	0	1	1	1	1	0	1	1.23125
0	0	1	1	1	1	1	0	1.22500
0	0	1	1	1	1	1	1	1.21875
0	1	0	0	0	0	0	0	1.21250
0	1	0	0	0	0	0	1	1.20625
0	1	0	0	0	0	1	0	1.20000
0	1	0	0	0	0	1	1	1.19375
0	1	0	0	0	1	0	0	1.18750
0	1	0	0	0	1	0	1	1.18125
0	1	0	0	0	1	1	0	1.17500
0	1	0	0	0	1	1	1	1.16875
0	1	0	0	1	0	0	0	1.16250
0	1	0	0	1	0	0	1	1.15625
0	1	0	0	1	0	1	0	1.15000
0	1	0	0	1	0	1	1	1.14375
0	1	0	0	1	1	0	0	1.13750
0	1	0	0	1	1	0	1	1.13125
0	1	0	0	1	1	1	0	1.12500
0	1	0	0	1	1	1	1	1.11875
0	1	0	1	0	0	0	0	1.11250
0	1	0	1	0	0	0	1	1.10625
0	1	0	1	0	0	1	0	1.10000
0	1	0	1	0	0	1	1	1.09375
0	1	0	1	0	1	0	0	1.08750
0	1	0	1	0	1	0	1	1.08125
0	1	0	1	0	1	1	0	1.07500

TABLE 2. VR11 VOLTAGE IDENTIFICATION CODES (Continued)

VID7	VID6	VID5	VID4	VID3	VID2	VID1	VID0	VDAC
0	1	0	1	0	1	1	1	1.06875
0	1	0	1	1	0	0	0	1.06250
0	1	0	1	1	0	0	1	1.05625
0	1	0	1	1	0	1	0	1.05000
0	1	0	1	1	0	1	1	1.04375
0	1	0	1	1	1	0	0	1.03750
0	1	0	1	1	1	0	1	1.03125
0	1	0	1	1	1	1	0	1.02500
0	1	0	1	1	1	1	1	1.01875
0	1	1	0	0	0	0	0	1.01250
0	1	1	0	0	0	0	1	1.00625
0	1	1	0	0	0	1	0	1.00000
0	1	1	0	0	0	1	1	0.99375
0	1	1	0	0	1	0	0	0.98750
0	1	1	0	0	1	0	1	0.98125
0	1	1	0	0	1	1	0	0.97500
0	1	1	0	0	1	1	1	0.96875
0	1	1	0	1	0	0	0	0.96250
0	1	1	0	1	0	0	1	0.95625
0	1	1	0	1	0	1	0	0.95000
0	1	1	0	1	0	1	1	0.94375
0	1	1	0	1	1	0	0	0.93750
0	1	1	0	1	1	0	1	0.93125
0	1	1	0	1	1	1	0	0.92500
0	1	1	0	1	1	1	1	0.91875
0	1	1	1	0	0	0	0	0.91250
0	1	1	1	0	0	0	1	0.90625
0	1	1	1	0	0	1	0	0.90000
0	1	1	1	0	0	1	1	0.89375
0	1	1	1	0	1	0	0	0.88750
0	1	1	1	0	1	0	1	0.88125
0	1	1	1	0	1	1	0	0.87500
0	1	1	1	0	1	1	1	0.86875
0	1	1	1	1	0	0	0	0.86250
0	1	1	1	1	0	0	1	0.85625
0	1	1	1	1	0	1	0	0.85000
0	1	1	1	1	0	1	1	0.84375
0	1	1	1	1	1	0	0	0.83750
0	1	1	1	1	1	0	1	0.83125
0	1	1	1	1	1	1	0	0.82500

TABLE 2. VR11 VOLTAGE IDENTIFICATION CODES (Continued)

VID7	VID6	VID5	VID4	VID3	VID2	VID1	VID0	VDAC
0	1	1	1	1	1	1	1	0.81875
1	0	0	0	0	0	0	0	0.81250
1	0	0	0	0	0	0	1	0.80625
1	0	0	0	0	0	1	0	0.80000
1	0	0	0	0	0	1	1	0.79375
1	0	0	0	0	1	0	0	0.78750
1	0	0	0	0	1	0	1	0.78125
1	0	0	0	0	1	1	0	0.77500
1	0	0	0	0	1	1	1	0.76875
1	0	0	0	1	0	0	0	0.76250
1	0	0	0	1	0	0	1	0.75625
1	0	0	0	1	0	1	0	0.75000
1	0	0	0	1	0	1	1	0.74375
1	0	0	0	1	1	0	0	0.73750
1	0	0	0	1	1	0	1	0.73125
1	0	0	0	1	1	1	0	0.72500
1	0	0	0	1	1	1	1	0.71875
1	0	0	1	0	0	0	0	0.71250
1	0	0	1	0	0	0	1	0.70625
1	0	0	1	0	0	1	0	0.70000
1	0	0	1	0	0	1	1	0.69375
1	0	0	1	0	1	0	0	0.68750
1	0	0	1	0	1	0	1	0.68125
1	0	0	1	0	1	1	0	0.67500
1	0	0	1	0	1	1	1	0.66875
1	0	0	1	1	0	0	0	0.66250
1	0	0	1	1	0	0	1	0.65625
1	0	0	1	1	0	1	0	0.65000
1	0	0	1	1	0	1	1	0.64375
1	0	0	1	1	1	0	0	0.63750
1	0	0	1	1	1	0	1	0.63125
1	0	0	1	1	1	1	0	0.62500
1	0	0	1	1	1	1	1	0.61875
1	0	1	0	0	0	0	0	0.61250
1	0	1	0	0	0	0	1	0.60625
1	0	1	0	0	0	1	0	0.60000
1	0	1	0	0	0	1	1	0.59375
1	0	1	0	0	1	0	0	0.58750
1	0	1	0	0	1	0	1	0.58125
1	0	1	0	0	1	1	0	0.57500

**TABLE 2. VR11 VOLTAGE IDENTIFICATION CODES (Continued)**

VID7	VID6	VID5	VID4	VID3	VID2	VID1	VID0	VDAC
1	0	1	0	0	1	1	1	0.56875
1	0	1	0	1	0	0	0	0.56250
1	0	1	0	1	0	0	1	0.55625
1	0	1	0	1	0	1	0	0.55000
1	0	1	0	1	0	1	1	0.54375
1	0	1	0	1	1	0	0	0.53750
1	0	1	0	1	1	0	1	0.53125
1	0	1	0	1	1	1	0	0.52500
1	0	1	0	1	1	1	1	0.51875
1	0	1	1	0	0	0	0	0.51250
1	0	1	1	0	0	0	1	0.50625
1	0	1	1	0	0	1	0	0.50000
1	1	1	1	1	1	1	0	OFF
1	1	1	1	1	1	1	1	OFF

**Voltage Regulation**

The integrating compensation network shown in Figure 7, insures that the steady-state error in the output voltage is limited only to the error in the reference voltage (output of the DAC) and offset errors in the OFS current source, remote-sense and error amplifiers. Intersil specifies the guaranteed tolerance of the controllers to include the combined tolerances of each of these elements.

The output of the error amplifier,  $V_{COMP}$ , is compared to the modulator waveform to generate the PWM signals. The PWM signals control the timing of the Internal MOSFET drivers and regulate the converter output so that the voltage at FB is equal to the voltage at REF. This will regulate the output voltage to be equal to Equation 8. The internal and external circuitry that controls voltage regulation is illustrated in Figure 7.

$$V_{OUT} = V_{REF} - V_{OFS} - V_{DROOP} \tag{EQ. 8}$$

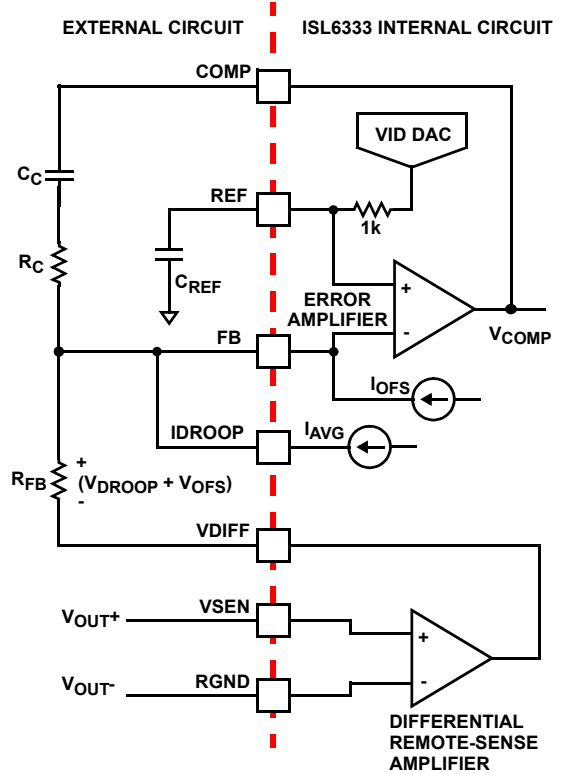
The controllers incorporate an internal differential remote-sense amplifier in the feedback path. The amplifier removes the voltage error encountered when measuring the output voltage relative to the controller ground reference point resulting in a more accurate means of sensing output voltage. Connect the microprocessor sense pins to the non-inverting input, VSEN, and inverting input, RGND, of the remote-sense amplifier. The remote sense output,  $V_{DIFF}$ , is connected to the inverting input of the error amplifier through an external resistor.

**Load Line (Droop) Regulation**

Some microprocessor manufacturers require a precisely controlled output resistance. This dependence of output voltage on load current is often termed “droop” or “load line” regulation. By adding a well controlled output impedance,

the output voltage can effectively be level shifted in a direction which works to achieve the load line regulation required by these manufacturers.

In other cases, the designer may determine that a more cost-effective solution can be achieved by adding droop. Droop can help to reduce the output voltage spike that results from fast load current demand changes.



**FIGURE 7. OUTPUT VOLTAGE AND LOAD-LINE REGULATION WITH OFFSET ADJUSTMENT**

The magnitude of the spike is dictated by the ESR and ESL of the output capacitors selected. By positioning the no-load voltage level near the upper specification limit, a larger negative spike can be sustained without crossing the lower limit. By adding a well controlled output impedance, the output voltage under load can effectively be level shifted down so that a larger positive spike can be sustained without crossing the upper specification limit.

As shown in Figure 7, a current proportional to the average current of all active channels,  $I_{AVG}$ , flows from the IDROOP pin through a load line regulation resistor  $R_{FB}$ . The resulting voltage drop across  $R_{FB}$  is proportional to the output current, effectively creating an output voltage droop with a steady-state value defined as Equation 9:

$$V_{DROOP} = I_{AVG} \cdot R_{FB} \tag{EQ. 9}$$

The regulated output voltage is reduced by the droop voltage  $V_{DROOP}$ . The output voltage as a function of load current is derived by combining Equations 6, 7, 8, and 9.

$$V_{OUT} = V_{REF} - V_{OFS} - \left( \frac{I_{OUT}}{N} \cdot \frac{DCR}{R_{SET}} \cdot \frac{400}{3} \cdot R_{FB} \right) \tag{EQ. 10}$$



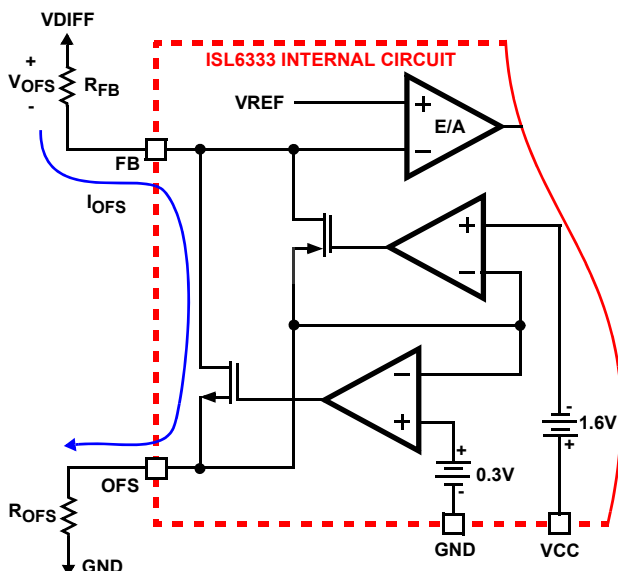
In Equation 10,  $V_{REF}$  is the reference voltage,  $V_{OFS}$  is the programmed offset voltage,  $I_{OUT}$  is the total output current of the converter,  $R_{ISEN}$  is the internal sense resistor connected to the ISEN+ pin,  $R_{FB}$  is the feedback resistor,  $N$  is the active number of channels, and DCR is the Inductor DCR value.

Therefore the equivalent loadline impedance, i.e. droop impedance, is equal to Equation 11:

$$R_{LL} = \frac{R_{FB}}{N} \cdot \frac{DCR}{R_{SET}} \cdot \frac{400}{3} \quad (EQ. 11)$$

**Output-Voltage Offset Programming**

The controllers allow the designer to accurately adjust the offset voltage by connecting a resistor,  $R_{OFS}$ , from the OFS pin to VCC or GND. When  $R_{OFS}$  is connected between OFS and VCC, the voltage across it is regulated to 1.6V. This causes a proportional current ( $I_{OFS}$ ) to flow into the OFS pin and out of the FB pin, providing a negative offset. If  $R_{OFS}$  is connected to ground, the voltage across it is regulated to 0.3V, and  $I_{OFS}$  flows into the FB pin and out of the OFS pin, providing a positive offset. The offset current flowing through the resistor between VSEN and FB will generate the desired offset voltage which is equal to the product ( $I_{OFS} \times R_{FB}$ ). These functions are shown in Figures 8 and 9.



**FIGURE 8. POSITIVE OFFSET OUTPUT VOLTAGE PROGRAMMING**

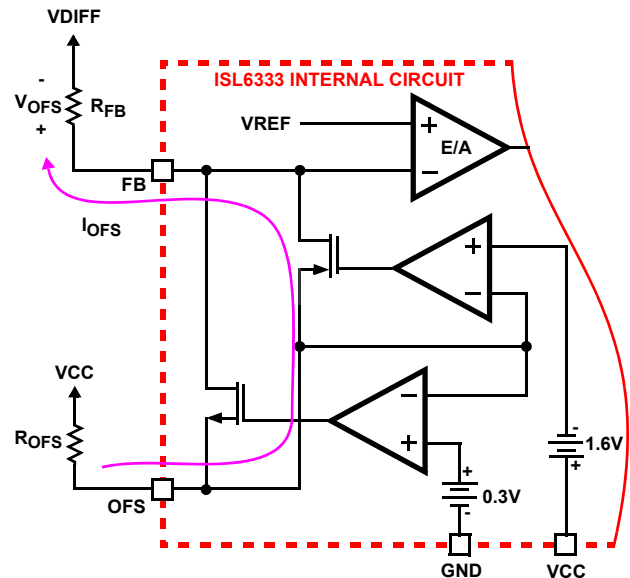
Once the desired output offset voltage has been determined, use Equations 12 and 13 to set  $R_{OFS}$ :

For Negative Offset (connect  $R_{OFS}$  to VCC):

$$R_{OFS} = \frac{1.6 \cdot R_{FB}}{V_{OFFSET}} \quad (EQ. 12)$$

For Positive Offset (connect  $R_{OFS}$  to GND):

$$R_{OFS} = \frac{0.3 \cdot R_{FB}}{V_{OFFSET}} \quad (EQ. 13)$$



**FIGURE 9. NEGATIVE OFFSET OUTPUT VOLTAGE PROGRAMMING**

**Dynamic VID**

Modern microprocessors need to make changes to their core voltage as part of normal operation. They direct the controllers to do this by making changes to the VID inputs. The controllers are required to monitor the DAC inputs and respond to on-the-fly VID changes in a controlled manner, supervising a safe output voltage transition without discontinuity or disruption.

The controllers check for VID changes by comparing the internal DAC code to the VID pin inputs on the positive edge of an internal 5.55MHz clock. If a new code is established on the VID inputs and it remains stable for 3 consecutive readings (360ns to 540ns), the controllers recognize the new code and begins incrementing/decrementing the DAC in 6.25mV steps at a stepping frequency of 1.85MHz. This controlled slew rate of 6.25mV/540ns (11.6mV/μs) continues until the VID input and DAC are equal. Thus, the total time required for a VID change,  $t_{DVID}$ , is dependent only on the size of the VID change ( $\Delta V_{VID}$ ).

The time required for a ISL6333-based converter to make a 1.6V to 0.5V reference voltage change is about 95μs, as calculated using Equation 14.

$$t_{DVID} = 540 \cdot 10^{-9} \cdot \left( \frac{\Delta V_{VID}}{0.00625} \right) \quad (EQ. 14)$$

**VID “Off” DAC Codes**

The Intel VR11 VID tables include “Off” DAC codes, which indicate to the controllers to disable all regulation. Recognition of these codes is slightly different in that they must be stable for 4 consecutive readings of a 5.55MHz clock (540ns to 720ns) to be recognized. Once an “Off” code is recognized the controllers latch off, and must be reset by toggling the EN pin.

### Compensating Dynamic VID Transitions

During a VID transition, the resulting change in voltage on the FB pin and the COMP pin causes an AC current to flow through the error amplifier compensation components from the FB to the COMP pin. This current then flows through the feedback resistor,  $R_{FB}$ , and can cause the output voltage to overshoot or undershoot at the end of the VID transition. In order to ensure the smooth transition of the output voltage during a VID change, a VID-on-the-fly compensation network is required. This network is composed of a resistor and capacitor in series,  $R_{DVC}$  and  $C_{DVC}$ , between the DVC and the FB pin.

This VID-on-the-fly compensation network works by sourcing AC current into the FB node to offset the effects of the AC current flowing from the FB to the COMP pin during a VID transition. To create this compensation current the controllers set the voltage on the DVC pin to be 2x the voltage on the REF pin. Since the error amplifier forces the voltage on the FB pin and the REF pin to be equal, the resulting voltage across the series RC between DVC and FB is equal to the REF pin voltage. The RC compensation components,  $R_{DVC}$  and  $C_{DVC}$ , can then be selected to create the desired amount of compensation current.

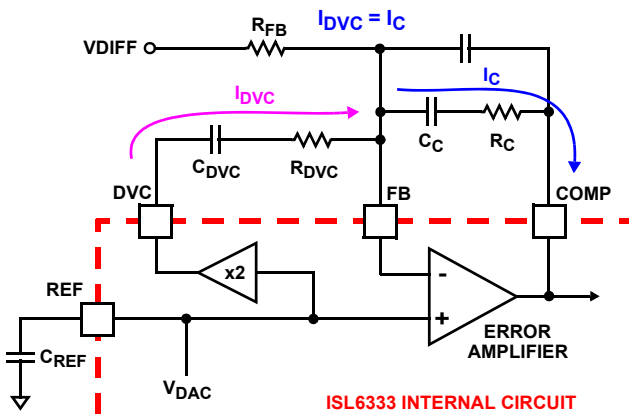


FIGURE 10. DYNAMIC VID COMPENSATION NETWORK

The amount of compensation current required is dependant on the modulator gain of the system,  $K_1$ , and the error amplifier R-C components,  $R_C$  and  $C_C$ , that are in series between the FB and COMP pins. Use Equations 15, 16, and 17 to calculate the RC component values,  $R_{DVC}$  and  $C_{DVC}$ , for the VID-on-the-fly compensation network. For these equations:  $V_{IN}$  is the input voltage for the power train;  $V_{P-P}$  is the oscillator ramp amplitude (1.5V); and  $R_C$  and  $C_C$  are the error amplifier R-C components between the FB and COMP pins.

$$K_1 = \frac{V_{IN}}{V_{PP}} \quad A = \frac{K_1}{K_1 - 1} \quad (EQ. 15)$$

$$R_{DVC} = A \times R_C \quad (EQ. 16)$$

$$C_{DVC} = \frac{C_C}{A} \quad (EQ. 17)$$

### Driver Operation

#### Adaptive Zero Shoot-Through Deadtime Control

The integrated drivers incorporate an adaptive deadtime control technique to minimize deadtime and to prevent the upper and lower MOSFETs from conducting simultaneously. This results in high efficiency from the reduced freewheeling time of the lower MOSFET body-diode conduction. This is accomplished by ensuring either rising gate turns on its MOSFET with minimum and sufficient delay after the other has turned off.

During turn-off of the lower MOSFET, the LGATE voltage is monitored until it reaches 1.75V. At this time the UGATE is released to rise. Once the PHASE is high, the advanced adaptive shoot-through circuitry monitors the PHASE and UGATE voltages during a PWM falling edge and the subsequent UGATE turn-off. If either the UGATE falls to less than 1.75V above the PHASE or the PHASE falls to less than +0.8V, the LGATE is released to turn on.

#### Internal Bootstrap Device

All three integrated drivers feature an internal bootstrap schottky diode. Simply adding an external capacitor across the BOOT and PHASE pins completes the bootstrap circuit. The bootstrap function is also designed to prevent the bootstrap capacitor from overcharging due to the large negative swing at the PHASE node. This reduces voltage stress on the boot to phase pins.

The bootstrap capacitor should have a maximum voltage rating that's at least 30% above PVCC and its capacitance value can be chosen from Equation 18:

$$C_{BOOT\_CAP} \geq \frac{Q_{GATE}}{\Delta V_{BOOT\_CAP}} \quad (EQ. 18)$$

$$Q_{GATE} = \frac{Q_{G1} \cdot PVCC}{V_{GS1}} \cdot N_{Q1}$$

where  $Q_{G1}$  is the amount of gate charge per upper MOSFET at  $V_{GS1}$  gate-source voltage and  $N_{Q1}$  is the number of control MOSFETs. The  $\Delta V_{BOOT\_CAP}$  term is defined as the allowable droop in the rail of the upper gate drive.

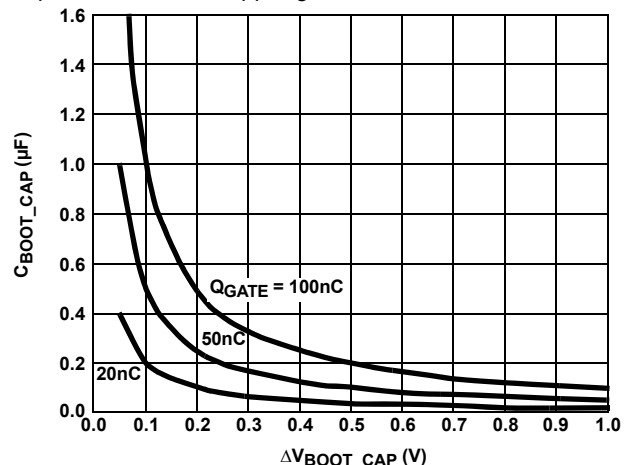


FIGURE 11. BOOTSTRAP CAPACITANCE vs BOOT RIPPLE VOLTAGE

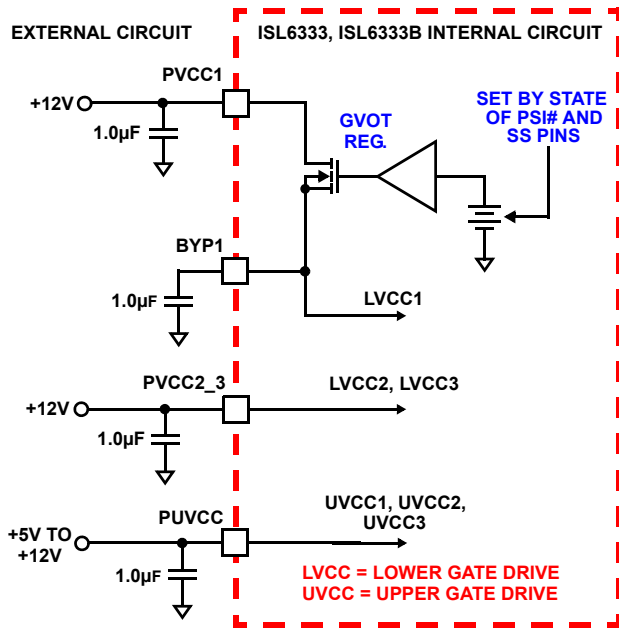


FIGURE 12. INTERNAL GATE DRIVE CONNECTIONS AND GATE VOLTAGE OPTIMIZATION (GVOT)

**Gate Voltage Optimization Technology (GVOT) (ISL6333, ISL6333B Only)**

The ISL6333 and ISL6333B are designed to optimize the Channel 1 lower MOSFET gate drive voltage to ensure high efficiency in both normal and low power states. In the normal power state when the converter load current is high, the conduction losses of the lower MOSFETs play a large role in the overall system efficiency. In normal power state, the lower gate drive voltage should be higher to decrease the conduction losses of the lower MOSFETs and increase the system efficiency. In the low power state, where the converter load current is significantly smaller, MOSFET driving loss becomes a much higher percentage of power loss associated with the lower MOSFET. In low power state, the lower gate drive voltage can therefore be reduced to decrease the driving losses of the lower MOSFETs and increase the system efficiency.

This gate drive voltage optimization is accomplished by an internal linear regulator that regulates the Channel 1 lower gate drive voltage, LVCC1, to certain levels depending on the state of the PSI# and SS pins. The input and output of this internal regulator is the PVCC1 pin and BYP1 pin, respectively. The regulator input, PVCC1, should be connected to a +12V source and decoupled with a quality 1.0µF ceramic capacitor. The regulator output, BYP1, is internally connected to the lower gate drive of the Channel 1 MOSFET driver, LVCC1. The BYP1 pin should also be decoupled using a quality 1.0µF ceramic capacitor.

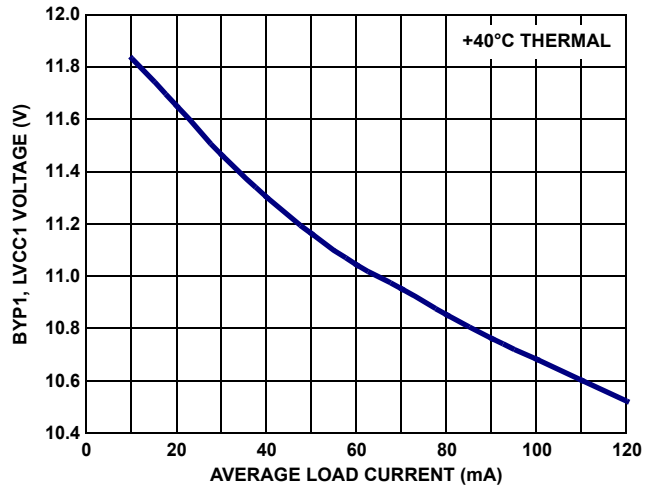


FIGURE 13. BYP1, LVCC1 VOLTAGE WHEN PSI# IS HIGH

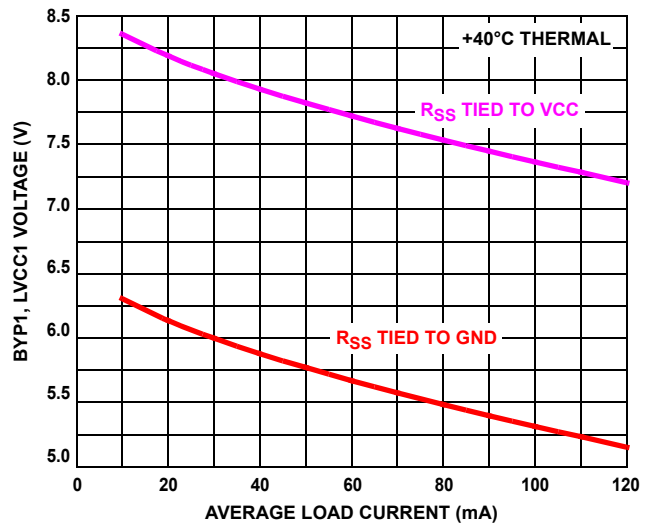


FIGURE 14. BYP1, LVCC1 VOLTAGE WHEN PSI# IS LOW

As Figures 13 and 14 illustrate, the internal regulator has been designed so that its output voltage, BYP1, is dependent upon the average load current. In the normal power state, when PSI# is high, the ISL6333 and ISL6333B regulate BYP1 to around 11.2V at a 50mA average load current. In the low power state, when PSI# is low, BYP1 is regulated down to one of two voltages depending on the state of the SS pin. If the SS pin is tied to ground through the R<sub>SS</sub> resistor, BYP1 is regulated down to 5.75V at a 50mA average load current. If the SS pin is tied to VCC through the R<sub>SS</sub> resistor, BYP1 is regulated down to 7.75V at a 50mA average load current.

It is possible to disable the internal GVOT regulator by shorting the PVCC1 pin to the BYP1 pin. This essentially bypasses the internal regulator setting the Channel 1 lower gate drive voltage, LVCC1, to the voltage input on the PVCC1 pin.

### Upper MOSFET Gate Drive Voltage Versatility

The controllers provide the user flexibility in choosing the upper MOSFET gate drive voltage for efficiency optimization. The controllers tie all the upper gate drive rails together to the PUVCC pin. Simply applying a voltage from +5V up to +12V on PUVCC sets all of the upper gate drive rail voltages simultaneously.

### Initialization

Prior to initialization, proper conditions must exist on the EN, VCC, PVCC1, PVCC2\_3, PUVCC, BYP1 and VID pins. When the conditions are met, the controllers begin soft-start. Once the output voltage is within the proper window of operation, the controllers assert VR\_RDY.

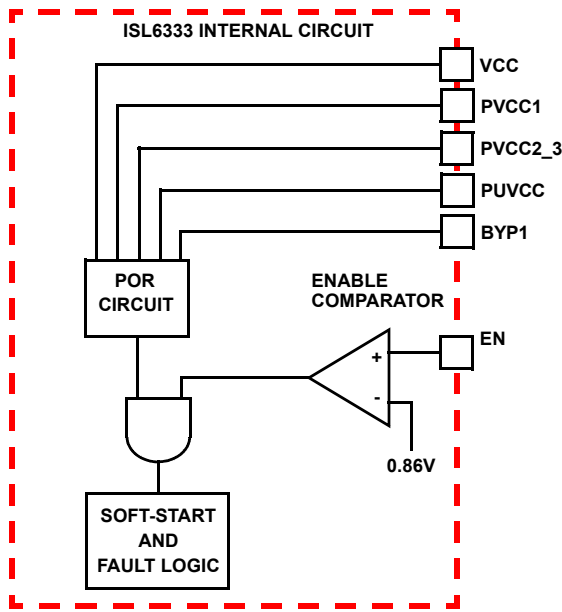


FIGURE 15. POWER SEQUENCING USING THRESHOLD-SENSITIVE ENABLE (EN) FUNCTION

### Enable and Disable

While in shutdown mode, the LGATE and UGATE signals are held low to assure the MOSFETs remain off. The following input conditions must be met before the controllers are released from shutdown mode to begin the soft-start startup sequence:

1. The bias voltage applied at VCC must reach the internal power-on reset (POR) rising threshold. Once this threshold is reached, proper operation of all aspects of the controllers are guaranteed. Hysteresis between the rising and falling thresholds assure that once enabled, the controllers will not inadvertently turn off unless the bias voltage drops substantially (see “Electrical Specifications” on page 13).
2. The voltage on EN must be above 0.86V. The enable comparator holds the controllers in shutdown until the voltage at EN rises above 0.86V. The enable comparator has 104mV of hysteresis to prevent bounce.

3. The driver bias voltage applied at the PVCC1, PVCC2\_3, PVCC2, PVCC3, PUVCC, and BYP1 pins must reach the internal power-on reset (POR) rising threshold. Hysteresis between the rising and falling thresholds assure that once enabled, the controllers will not inadvertently turn off unless the bias voltages drops substantially (see “Electrical Specifications” on page 13).

Once all of these conditions are met the controllers will begin the soft-start sequence and will ramp the output voltage up as described in “Soft-Start” on page 28.

### Soft-Start

The soft-start function allows the converter to bring up the output voltage in a controlled fashion, resulting in a linear ramp-up. The soft-start sequence is composed of four periods, as shown in Figure 16. Once the controllers are released from shutdown and soft-start begins (as described in “Enable and Disable” on page 28), there will be a fixed delay period,  $t_{d1}$ , of typically 1.10ms. After this delay period, the controllers will begin the first soft-start ramp, increasing the output voltage until it reaches the 1.1V VBOOT voltage.

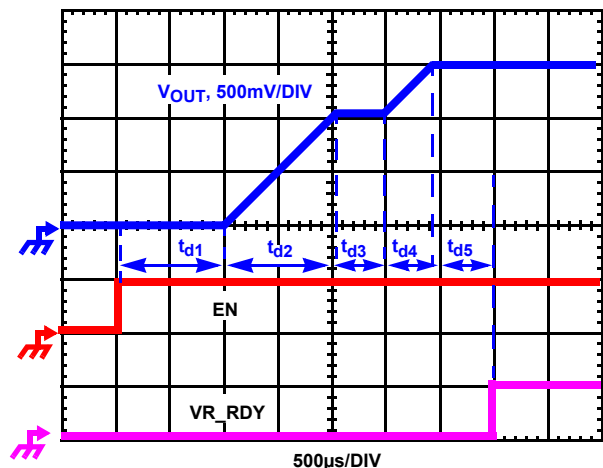


FIGURE 16. SOFT-START WAVEFORMS

The controllers will then regulate the output voltage at 1.1V for another fixed delay period,  $t_{d3}$ , of typically 93µs. At the end of the  $t_{d3}$  period, the controllers will read the VID signals. It is recommended that the VID codes be set no later than 50µs into period  $t_{d3}$ . If the VID code is valid, the controllers will initiate the second soft-start ramp, regulating the output voltage up to the VID voltage ± any offset or droop voltage.

The soft-start time is the sum of the 4 periods as shown in Equation 19.

$$t_{SS} = t_{d1} + t_{d2} + t_{d3} + t_{d4} \quad \text{(EQ. 19)}$$

During  $t_{d2}$  and  $t_{d4}$ , the controllers digitally control the DAC voltage change at 6.25mV per step. The time for each step is determined by the frequency of the soft-start oscillator, which is defined by the resistor  $R_{SS}$  on the SS pin. The soft-start ramp

times,  $t_{d2}$  and  $t_{d4}$ , can be calculated based on Equations 20 and 21:

$$t_{d2} = 1.1 \cdot R_{SS} \cdot 8 \cdot 10^{-3} (\mu s) \tag{EQ. 20}$$

$$t_{d4} = |V_{VID} - 1.1| \cdot R_{SS} \cdot 8 \cdot 10^{-3} (\mu s) \tag{EQ. 21}$$

For example, when VID is set to 1.5V and the  $R_{SS}$  is set at 100k $\Omega$ , the first soft-start ramp time  $t_{d2}$  will be 880 $\mu s$  and the second soft-start ramp time  $t_{d4}$  will be 320 $\mu s$ .

After the DAC voltage reaches the final VID setting, VR\_RDY will be set to high with the fixed delay  $t_{d5}$ . The typical value for  $t_{d5}$  is 93 $\mu s$ .

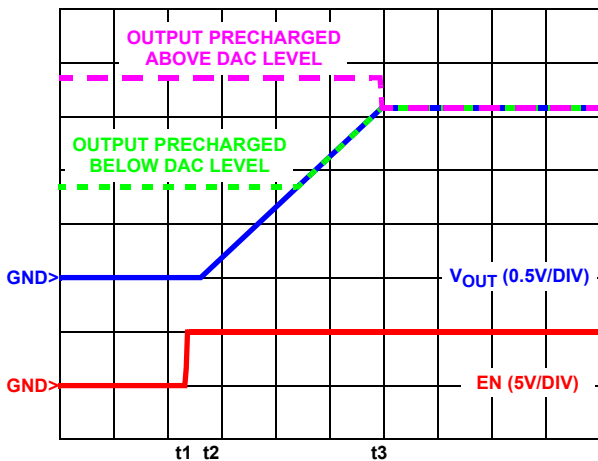


FIGURE 17. SOFT-START WAVEFORMS FOR ISL6333-BASED MULTI-PHASE CONVERTER

**Pre-Biased Soft-Start**

The controllers also have the ability to start up into a pre-charged output, without causing any unnecessary disturbance. The FB pin is monitored during soft-start, and should it be higher than the equivalent internal ramping reference voltage, the output drives hold both MOSFETs off. Once the internal ramping reference exceeds the FB pin potential, the output drives are enabled, allowing the output to ramp from the pre-charged level to the final level dictated by the DAC setting. Should the output be pre-charged to a level exceeding the DAC setting, the output drives are enabled at the end of the soft-start period, leading to an abrupt correction in the output voltage down to the DAC-set level.

**Fault Monitoring and Protection**

The controllers actively monitor the output voltage and current to detect fault conditions. Fault monitors trigger protective measures to prevent damage to a microprocessor load. One common VR\_RDY indicator is provided for linking to external system monitors. The schematic in Figure 18 outlines the interaction between the fault monitors and the VR\_RDY signal.

**VR\_RDY Signal**

The VR\_RDY pin is an open-drain logic output that signals whether or not the controllers are regulating the output voltage

within the proper levels, and whether any fault conditions exist. This pin should be tied through a resistor to a voltage source that's equal to or less than VCC.

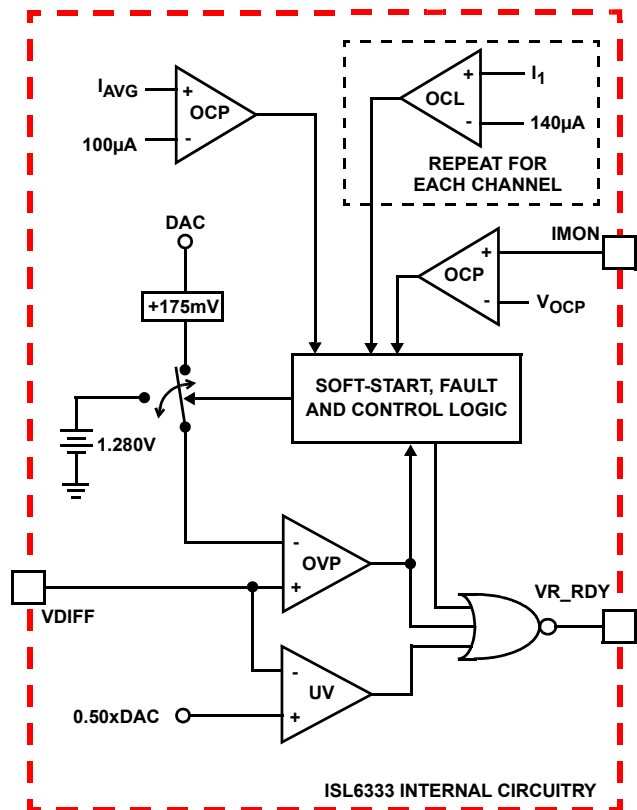


FIGURE 18. POWER GOOD AND PROTECTION CIRCUITRY

VR\_RDY indicates whether VDIFF is within specified overvoltage and undervoltage limits after a fixed delay from the end of soft-start. VR\_RDY transitions low when an undervoltage, overvoltage, or overcurrent condition is detected or when the controllers are disabled by a reset from EN, POR, or one of the no-CPU VID codes. In the event of an overvoltage or overcurrent condition, or a no-CPU VID code, the controllers latch off and VR\_RDY will not return high until EN is toggled and a successful soft-start is completed. In the case of an undervoltage event, VR\_RDY will return high when the output voltage rises above the undervoltage hysteresis level. VR\_RDY is always low prior to the end of soft-start.

**Overvoltage Protection**

The controllers constantly monitor the difference between the VSEN and RGND voltages to detect if an overvoltage event occurs. During soft-start, while the DAC is ramping up, the overvoltage trip level is the higher of a fixed voltage 1.280V or DAC + 175mV. Upon successful soft-start, the overvoltage trip level is only DAC + 175mV. When the output voltage rises above the OVP trip level actions are taken by the controllers to protect the microprocessor load.

At the inception of an overvoltage event, LGATE1, LGATE2, and LGATE3 are commanded high and the VR\_RDY signal is driven low. This turns on the all of the lower MOSFETs and

pulls the output voltage below a level that might cause damage to the load. The LGATE outputs remain high until VDIFF falls 110mV below the OVP threshold that tripped the overvoltage protection circuitry. The controllers will continue to protect the load in this fashion as long as the overvoltage condition recurs. Once an overvoltage condition ends the controllers latch off, and must be reset by toggling EN, or through POR, before a soft-start can be reinitiated.

There is an OVP condition that exists that will not latch off the controllers. During a soft-start sequence, if the VDIFF voltage is above the OVP threshold an overvoltage event will occur, but will be released once VDIFF falls 110mV below the OVP threshold. If VDIFF then rises above the OVP trip threshold a second time, the controllers will be latched off and cannot be restarted until the controllers are reset.

### Pre-POR Overvoltage Protection

Prior to the controller and driver bias pins exceeding their POR levels, the controllers are designed to protect the load from any overvoltage events that may occur. This is accomplished by means of an internal 10kΩ resistor tied from PHASE to LGATE, which turns on the lower MOSFET to control the output voltage until the overvoltage event ceases or the input power supply cuts off. For complete protection, the low side MOSFET should have a gate threshold well below the maximum voltage rating of the load/microprocessor.

In the event that during normal operation the controller or driver bias voltages fall back below their POR threshold, the pre-POR overvoltage protection circuitry reactivates to protect from any more pre-POR overvoltage events.

### Undervoltage Detection

The undervoltage threshold is set at DAC\*0.50V of the VID code. When the output voltage (VDIFF) is below the undervoltage threshold, VR\_RDY gets pulled low. No other action is taken by the controllers. VR\_RDY will return high if the output voltage rises above DAC\*0.60V.

### Open Sense Line Prevention

In the case that either of the remote sense lines, VSEN or GND, become open, the controllers are designed to prevent the regulator from regulating. This is accomplished by means of a small 5μA pull-up current on VSEN, and a pull-down current on RGND. If the sense lines are opened at any time, the voltage difference between VSEN and RGND will increase until an overvoltage event occurs, at which point overvoltage protection activates and the controllers stop regulating. The controllers will be latched off and cannot be restarted until they are reset.

### Overcurrent Protection

The controllers take advantage of the proportionality between the load current and the average current,  $I_{AVG}$ , to detect an overcurrent condition. Two different methods of detecting overcurrent events are available on the controllers. The first method continually compares the average sense current with a constant 100μA OCP reference current, as shown in Figure 18. Once the average sense current exceeds the OCP reference current, a comparator triggers the converter to begin overcurrent protection procedures.

For this first method the overcurrent trip threshold is dictated by the DCR of the inductors, the number of active channels, and the RSET pin resistor,  $R_{SET}$ . To calculate the overcurrent trip level,  $I_{OCP}$ , using this method use Equation 22, where N is the number of active channels, DCR is the individual inductor's DCR, and  $R_{SET}$  is the RSET pin resistor value.

$$I_{OCP} = \frac{100 \cdot 10^{-6} \cdot R_{SET} \cdot N \cdot 3}{DCR \cdot 400} \quad (\text{EQ. 22})$$

During VID-on-the-fly transitions the overcurrent trip level for this method is boosted to prevent false overcurrent trip events that can occur. Starting from the beginning of a dynamic VID transition, the overcurrent trip level is boosted to 140μA. The OCP level will stay at this boosted level until 50μs after the end of the dynamic VID transition, at which point it will return to the typical 100μA trip level.

The second method for detecting overcurrent events continuously compares the voltage on the IMON pin,  $V_{IMON}$ , to the overcurrent protection voltage,  $V_{OCP}$ , as shown in Figure 18. The average channel sense current flows out the IMON pin and through  $R_{IMON}$ , creating the IMON pin voltage which is proportional to the output current. When the IMON pin voltage exceeds the  $V_{OCP}$  voltage threshold, the overcurrent protection circuitry activates. Since the IMON pin voltage is proportional to the output current, the overcurrent trip level,  $I_{OCP}$ , can be set by selecting the proper value for  $R_{IMON}$ , as shown in Equation 23.

$$I_{OCP} = \frac{3 \cdot V_{OCP} \cdot R_{SET} \cdot N}{DCR \cdot R_{IOUT} \cdot 400} \quad (\text{EQ. 23})$$

Once the output current exceeds the overcurrent trip level,  $V_{IMON}$  will exceed  $V_{OCP}$  and a comparator will trigger the converter to begin overcurrent protection procedures.

At the beginning of an overcurrent shutdown, the controllers turn off both upper and lower MOSFETs and lowers VR\_RDY. The controllers will then attempt to soft-start after a delay of typically 8xTD1. If the overcurrent fault remains, the trip-retry cycles will continue until either the controller is disabled or the fault is cleared. Note that the energy delivered during trip-retry cycling is much less than during full-load operation, so there is no thermal hazard.

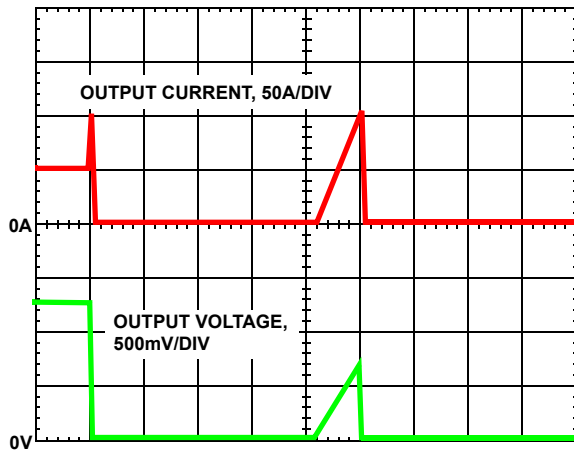


FIGURE 19. OVERCURRENT BEHAVIOR IN HICCUP MODE

### Individual Channel Overcurrent Limiting

The controllers have the ability to limit the current in each individual channel without shutting down the entire regulator. This is accomplished by continuously comparing the sensed currents of each channel with a constant 140 $\mu$ A OCL reference current, as shown in Figure 18. If a channel's individual sensed current exceeds this OCL limit, the UGATE signal of that channel is immediately forced low, and the LGATE signal is forced high. This turns off the upper MOSFET(s), turns on the lower MOSFET(s), and stops the rise of current in that channel, forcing the current in the channel to decrease. That channel's UGATE signal will not be able to return high until the sensed channel current falls back below the 140 $\mu$ A reference.

During VID-on-the-fly transitions the OCL trip level is boosted to prevent false overcurrent limiting events that can occur. Starting from the beginning of a dynamic VID transition, the overcurrent trip level is boosted to 196 $\mu$ A. The OCL level will stay at this boosted level until 50 $\mu$ s after the end of the dynamic VID transition, at which point it will return to the typical 140 $\mu$ A trip level.

### MOSFETs General Design Guide

This design guide is intended to provide a high-level explanation of the steps necessary to create a multi-phase power converter. It is assumed that the reader is familiar with many of the basic skills and techniques referenced in the following. In addition to this guide, Intersil provides complete reference designs that include schematics, bills of materials, and example board layouts for all common microprocessor applications.

#### Power Stages

The first step in designing a multi-phase converter is to determine the number of phases. This determination depends heavily on the cost analysis, which in turn depends on system constraints that differ from one design to the next. Principally, the designer will be concerned with whether components can be mounted on both sides of the circuit board, whether through-hole components are permitted, the total board space available for power-supply circuitry, and the maximum amount

of load current. Generally speaking, the most economical solutions are those in which each phase handles between 25A and 30A. All surface-mount designs will tend toward the lower end of this current range. If through-hole MOSFETs and inductors can be used, higher per-phase currents are possible. In cases where board space is the limiting constraint, current can be pushed as high as 40A per phase, but these designs require heat sinks and forced air to cool the MOSFETs, inductors and heat-dissipating surfaces.

#### MOSFETS

The choice of MOSFETs depends on the current each MOSFET will be required to conduct, the switching frequency, the capability of the MOSFETs to dissipate heat, and the availability and nature of heat sinking and air flow.

#### LOWER MOSFET POWER CALCULATION

The calculation for power loss in the lower MOSFET is simple, since virtually all of the loss in the lower MOSFET is due to current conducted through the channel resistance ( $r_{DS(ON)}$ ). In Equation 24,  $I_M$  is the maximum continuous output current,  $I_{P-P}$  is the peak-to-peak inductor current (see Equation 1), and  $d$  is the duty cycle ( $V_{OUT}/V_{IN}$ ).

$$P_{LOW(1)} = r_{DS(ON)} \cdot \left[ \left( \frac{I_M}{N} \right)^2 \cdot (1-d) + \frac{I_{L(P-P)}^2 (1-d)}{12} \right] \quad (\text{EQ. 24})$$

An additional term can be added to the lower-MOSFET loss equation to account for additional loss accrued during the dead time when inductor current is flowing through the lower-MOSFET body diode. This term is dependent on the diode forward voltage at  $I_M$ ,  $V_{D(ON)}$ , the switching frequency,  $f_S$ , and the length of dead times,  $t_{d1}$  and  $t_{d2}$ , at the beginning and the end of the lower-MOSFET conduction interval respectively.

$$P_{LOW(2)} = V_{D(ON)} \cdot f_S \cdot \left[ \left( \frac{I_M}{N} + \frac{I_{P-P}}{2} \right) \cdot t_{d1} + \left( \frac{I_M}{N} - \frac{I_{P-P}}{2} \right) \cdot t_{d2} \right] \quad (\text{EQ. 25})$$

The total maximum power dissipated in each lower MOSFET is approximated by the summation of  $P_{LOW(1)}$  and  $P_{LOW(2)}$ .

#### UPPER MOSFET POWER CALCULATION

In addition to  $r_{DS(ON)}$  losses, a large portion of the upper-MOSFET losses are due to currents conducted across the input voltage ( $V_{IN}$ ) during switching. Since a substantially higher portion of the upper-MOSFET losses are dependent on switching frequency, the power calculation is more complex. Upper MOSFET losses can be divided into separate components involving the upper-MOSFET switching times, the lower-MOSFET body-diode reverse-recovery charge,  $Q_{rr}$ , and the upper MOSFET  $r_{DS(ON)}$  conduction loss.

When the upper MOSFET turns off, the lower MOSFET does not conduct any portion of the inductor current until the voltage at the phase node falls below ground. Once the lower MOSFET begins conducting, the current in the upper MOSFET falls to zero as the current in the lower MOSFET ramps up to

assume the full inductor current. In Equation 26, the required time for this commutation is  $t_1$  and the approximated associated power loss is  $P_{UP(1)}$ .

$$P_{UP(1)} \approx V_{IN} \cdot \left( \frac{I_M}{N} + \frac{I_{P-P}}{2} \right) \cdot \left( \frac{t_1}{2} \right) \cdot f_S \quad (\text{EQ. 26})$$

At turn-on, the upper MOSFET begins to conduct and this transition occurs over a time  $t_2$ . In Equation 27, the approximate power loss is  $P_{UP(2)}$ .

$$P_{UP(2)} \approx V_{IN} \cdot \left( \frac{I_M}{N} - \frac{I_{P-P}}{2} \right) \cdot \left( \frac{t_2}{2} \right) \cdot f_S \quad (\text{EQ. 27})$$

A third component involves the lower MOSFET reverse-recovery charge,  $Q_{rr}$ . Since the inductor current has fully commutated to the upper MOSFET before the lower-MOSFET body diode can recover all of  $Q_{rr}$ , it is conducted through the upper MOSFET across  $V_{IN}$ . The power dissipated as a result is  $P_{UP(3)}$  shown in Equation 28.

$$P_{UP(3)} = V_{IN} \cdot Q_{rr} \cdot f_S \quad (\text{EQ. 28})$$

Finally, the resistive part of the upper MOSFET is given in Equation 29 as  $P_{UP(4)}$ .

$$P_{UP(4)} \approx r_{DS(ON)} \cdot d \cdot \left[ \left( \frac{I_M}{N} \right)^2 + \frac{I_{P-P}^2}{12} \right] \quad (\text{EQ. 29})$$

The total power dissipated by the upper MOSFET at full load can now be approximated as the summation of the results from Equations 26, 27, 28 and 29. Since the power equations depend on MOSFET parameters, choosing the correct MOSFETs can be an iterative process involving repetitive solutions to the loss equations for different MOSFETs and different switching frequencies.

**Package Power Dissipation**

When choosing MOSFETs it is important to consider the amount of power being dissipated in the integrated drivers located in the controllers. Since there are a total of three drivers in the controller package, the total power dissipated by all three drivers must be less than the maximum allowable power dissipation for the QFN package.

Calculating the power dissipation in the drivers for a desired application is critical to ensure safe operation. Exceeding the maximum allowable power dissipation level will push the IC beyond the maximum recommended operating junction temperature of +125°C. The maximum allowable IC power dissipation for the 7x7 QFN package is approximately 3.5W at room temperature. See “Layout Considerations” on page 37 for thermal transfer improvement suggestions.

When designing the controllers into an application, it is recommended that the following calculation is used to ensure safe operation at the desired frequency for the selected MOSFETs. The total gate drive power losses,  $P_{Qg\_TOT}$ , due to the gate charge of MOSFETs and the integrated driver’s internal circuitry

and their corresponding average driver current can be estimated with Equations 30 and 31, respectively.

$$P_{Qg\_TOT} = P_{Qg\_Q1} + P_{Qg\_Q2} + I_Q \cdot V_{CC} \quad (\text{EQ. 30})$$

$$P_{Qg\_Q1} = \frac{3}{2} \cdot Q_{G1} \cdot PV_{CC} \cdot F_{SW} \cdot N_{Q1} \cdot N_{PHASE}$$

$$P_{Qg\_Q2} = Q_{G2} \cdot PV_{CC} \cdot F_{SW} \cdot N_{Q2} \cdot N_{PHASE} \quad (\text{EQ. 31})$$

$$I_{DR} = \left( \frac{3}{2} \cdot Q_{G1} \cdot N_{Q1} + Q_{G2} \cdot N_{Q2} \right) \cdot N_{PHASE} \cdot F_{SW} + I_Q$$

In Equations 30 and 31,  $P_{Qg\_Q1}$  is the total upper gate drive power loss and  $P_{Qg\_Q2}$  is the total lower gate drive power loss; the gate charge ( $Q_{G1}$  and  $Q_{G2}$ ) is defined at the particular gate to source drive voltage  $PV_{CC}$  in the corresponding MOSFET data sheet;  $I_Q$  is the driver total quiescent current with no load at both drive outputs;  $N_{Q1}$  and  $N_{Q2}$  are the number of upper and lower MOSFETs per phase, respectively;  $N_{PHASE}$  is the number of active phases. The  $I_Q \cdot V_{CC}$  product is the quiescent power of the controller without capacitive load and is typically 75mW at 300kHz.

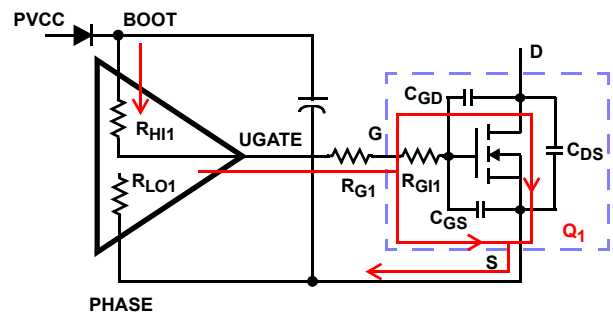


FIGURE 20. TYPICAL UPPER-GATE DRIVE TURN-ON PATH

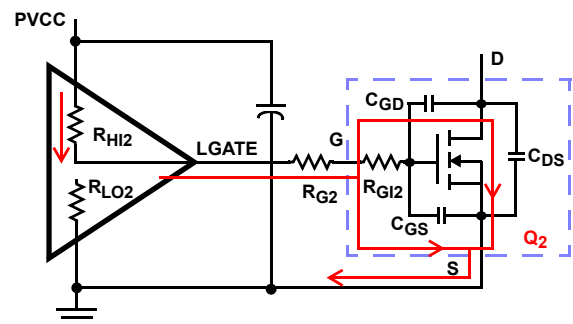


FIGURE 21. TYPICAL LOWER-GATE DRIVE TURN-ON PATH

The total gate drive power losses are dissipated among the resistive components along the transition path and in the bootstrap diode. The portion of the total power dissipated in the controller itself is the power dissipated in the upper drive path resistance,  $P_{DR\_UP}$ , the lower drive path resistance,  $P_{DR\_LP}$ , and in the boot strap diode,  $P_{BOOT}$ . The rest of the power will be



dissipated by the external gate resistors ( $R_{G1}$  and  $R_{G2}$ ) and the internal gate resistors ( $R_{GI1}$  and  $R_{GI2}$ ) of the MOSFETs. Figures 20 and 21 show the typical upper and lower gate drives turn-on transition path. The total power dissipation in the controller itself,  $P_{DR}$ , can be roughly estimated as calculated in Equation 32:

$$P_{DR} = P_{DR\_UP} + P_{DR\_LOW} + P_{BOOT} + (I_Q \cdot V_{CC})$$

$$P_{BOOT} = \frac{P_{Qg\_Q1}}{3}$$

$$P_{DR\_UP} = \left( \frac{R_{HI1}}{R_{HI1} + R_{EXT1}} + \frac{R_{LO1}}{R_{LO1} + R_{EXT1}} \right) \cdot \frac{P_{Qg\_Q1}}{3} \quad (EQ. 32)$$

$$P_{DR\_LOW} = \left( \frac{R_{HI2}}{R_{HI2} + R_{EXT2}} + \frac{R_{LO2}}{R_{LO2} + R_{EXT2}} \right) \cdot \frac{P_{Qg\_Q2}}{2}$$

$$R_{EXT1} = R_{G1} + \frac{R_{GI1}}{N_{Q1}} \quad R_{EXT2} = R_{G2} + \frac{R_{GI2}}{N_{Q2}}$$

**Inductor DCR Current Sensing Component Selection**

The controllers sense each individual channel's inductor current by detecting the voltage across the output inductor DCR of that channel (As described in the "Continuous Current Sensing" on page 21). As Figure 22 illustrates, an R-C network is required to accurately sense the inductor DCR voltage and convert this information into a current, which is proportional to the total output current. The time constant of this R-C network must match the time constant of the inductor L/DCR.

Follow the steps below to choose the component values for this RC network.

1. Choose an arbitrary value for  $C_1$ . The recommended value is 0.1µF.
2. Plug the inductor L and DCR component values, and the value for  $C_1$  chosen in step 1, into Equation 33 to calculate the value for  $R_1$ .

$$R_1 = \frac{L}{DCR \cdot C_1} \quad (EQ. 33)$$

Once the R-C network components have been chosen, the effective internal  $R_{ISEN}$  resistance must then be set. The  $R_{ISEN}$  resistance sets the gain of the load line regulation loop as well as the gain of the channel-current balance loop and the overcurrent trip level. The effective internal  $R_{ISEN}$  resistance is set through a single resistor on the  $R_{SET}$  pin,  $R_{SET}$ .

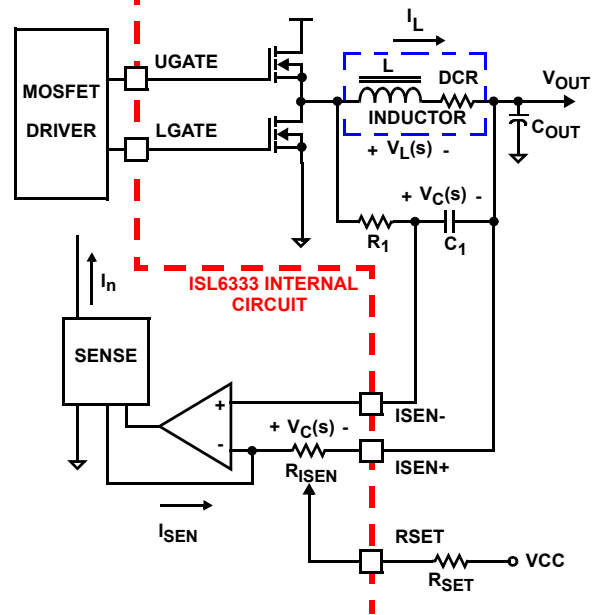


FIGURE 22. DCR SENSING CONFIGURATION

Use Equation 34 to calculate the value of  $R_{SET}$ . In Equation 34, DCR is the DCR of the output inductor at room temperature,  $I_{OCP}$  is the desired overcurrent trip level, and N is the number of phases. It is recommended that the desired overcurrent trip level,  $I_{OCP}$ , be chosen so that it's 30% larger than the maximum load current expected.

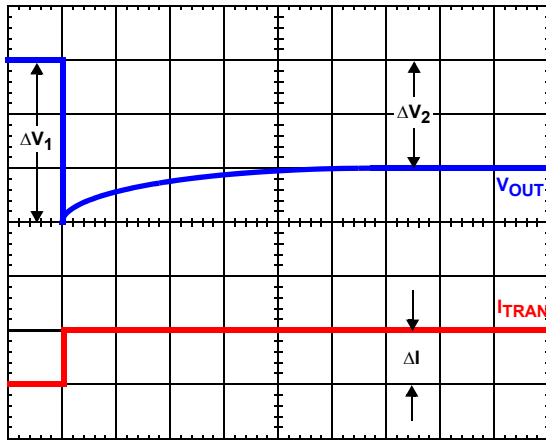
$$R_{SET} = \frac{DCR}{100 \times 10^{-6}} \cdot \frac{I_{OCP}}{N} \cdot \frac{400}{3} \quad (EQ. 34)$$

Due to errors in the inductance or DCR it may be necessary to adjust the value of  $R_1$  to match the time constants correctly. The effects of time constant mismatch can be seen in the form of droop overshoot or undershoot during the initial load transient spike, as shown in Figure 23. Follow the steps below to ensure the R-C and inductor L/DCR time constants are matched accurately.

1. Capture a transient event with the oscilloscope set to about  $L/DCR/2$  (sec/div). For example, with  $L = 1\mu H$  and  $DCR = 1m\Omega$ , set the oscilloscope to 500µs/div.
2. Record  $\Delta V1$  and  $\Delta V2$  as shown in Figure 23.
3. Select new values,  $R_{1(NEW)}$ , for the time constant resistor based on the original value,  $R_{1(OLD)}$ , using Equation 35.

$$R_{1(NEW)} = R_{1(OLD)} \cdot \frac{\Delta V_1}{\Delta V_2} \quad (EQ. 35)$$

4. Replace  $R_1$  with the new value and check to see that the error is corrected. Repeat the procedure if necessary.


**FIGURE 23. TIME CONSTANT MISMATCH BEHAVIOR**

### Loadline Regulation Resistor

If load line regulation is desired on the ISL6333 and ISL6333A, the IDROOP pin should be connected to the FB pin in order for the internal average sense current to flow out across the loadline regulation resistor, labeled  $R_{FB}$  in Figure 7. The ISL6333B and ISL6333C always have the load line regulation enabled. The  $R_{FB}$  resistor value sets the desired loadline required for the application. The desired loadline,  $R_{LL}$ , can be calculated by Equation 36 where  $V_{DROOP}$  is the desired droop voltage at the full load current  $I_{FL}$ .

$$R_{LL} = \frac{V_{DROOP}}{I_{FL}} \quad (\text{EQ. 36})$$

Based on the desired loadline, the loadline regulation resistor,  $R_{FB}$ , can be calculated from Equation 37.

$$R_{FB} = \frac{R_{LL} \cdot N \cdot R_{SET}}{DCR} \cdot \frac{3}{400} \quad (\text{EQ. 37})$$

In Equation 37,  $R_{LL}$  is the loadline resistance;  $N$  is the number of active channels;  $DCR$  is the DCR of the individual output inductors; and  $R_{SET}$  is the RSET pin resistor.

If no loadline regulation is required on the ISL6333 and ISL6333A, the IDROOP pin should be left unconnected. To choose the value for  $R_{FB}$  in this situation, please refer to “Compensation Without Load-line Regulation” on page 35.

### IMON Pin Resistor

A copy of the average sense current flows out of the IMON pin, and a resistor,  $R_{IMON}$ , placed from this pin to ground can be used to set the overcurrent protection trip level. Based on the desired overcurrent trip threshold,  $I_{OCP}$ , the IMON pin resistor,  $R_{IMON}$ , can be calculated from Equation 38.

$$R_{IMON} = \frac{R_{SET} \cdot N}{DCR \cdot I_{OCP}} \cdot \frac{3.381}{400} \quad (\text{EQ. 38})$$

### APA Pin Component Selection

A 100 $\mu$ A current flows into the APA pin and across  $R_{APA}$  to set the APA trip level. A 1000pF capacitor,  $C_{APA}$ , should also be placed across the  $R_{APA}$  resistor to help with noise immunity.

Use Equation 39 to set  $R_{APA}$  to get the desired APA trip level. An APA trip level of 500mV is recommended for most applications.

$$R_{APA} = \frac{V_{APA(TRIP)}}{100 \times 10^{-6}} = \frac{500\text{mV}}{100 \times 10^{-6}} = 5\text{k}\Omega \quad (\text{EQ. 39})$$

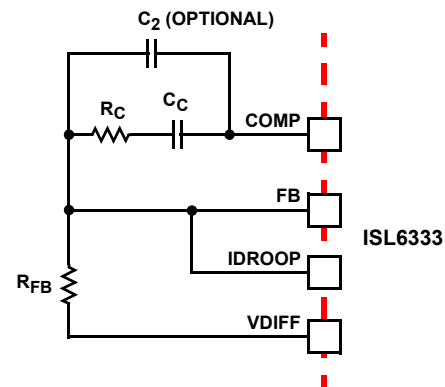
### Compensation

The two opposing goals of compensating the voltage regulator are stability and speed. Depending on whether the regulator employs the optional load-line regulation as described in Load-Line Regulation, there are two distinct methods for achieving these goals.

#### COMPENSATION WITH LOAD-LINE REGULATION

The load-line regulated converter behaves in a similar manner to a peak current mode controller because the two poles at the output filter L-C resonant frequency split with the introduction of current information into the control loop. The final location of these poles is determined by the system function, the gain of the current signal, and the value of the compensation components,  $R_C$  and  $C_C$ . See Figure 24.

Since the system poles and zero are affected by the values of the components that are meant to compensate them, the solution to the system equation becomes fairly complicated. Fortunately, there is a simple approximation that comes very close to an optimal solution. Treating the system as though it were a voltage-mode regulator, by compensating the L-C poles and the ESR zero of the voltage mode approximation, yields a solution that is always stable with very close to ideal transient performance.


**FIGURE 24. COMPENSATION CONFIGURATION FOR LOAD-LINE REGULATED ISL6333 CIRCUIT**

Select a target bandwidth for the compensated system,  $f_0$ . The target bandwidth must be large enough to assure adequate transient performance, but smaller than 1/3 of the per-channel switching frequency. The values of the compensation components depend on the relationships of  $f_0$  to the L-C pole frequency and the ESR zero frequency. For each of the following three, there is a separate set of equations for the compensation components.

In Equation 40,  $L$  is the per-channel filter inductance divided by the number of active channels;  $C$  is the sum total of all output

capacitors; ESR is the equivalent series resistance of the bulk output filter capacitance; and  $V_{P-P}$  is the peak-to-peak sawtooth signal amplitude, as described in the “Electrical Specifications” on page 13.

Once selected, the compensation values in Equation 40 assure a stable converter with reasonable transient performance. In most cases, transient performance can be improved by making adjustments to  $R_C$ . Slowly increase the value of  $R_C$  while observing the transient performance on an oscilloscope until no further improvement is noted. Normally,  $C_C$  will not need adjustment. Keep the value of  $C_C$  from Equation 40 unless some performance issue is noted.

The optional capacitor  $C_2$ , is sometimes needed to bypass noise away from the PWM comparator (see Figure 24). Keep a position available for  $C_2$ , and be prepared to install a high-frequency capacitor of between 22pF and 150pF in case any leading edge jitter problem is noted.

Case 1:  $\frac{1}{2 \cdot \pi \cdot \sqrt{L \cdot C}} > f_0$

$$R_C = R_{FB} \cdot \frac{2 \cdot \pi \cdot f_0 \cdot V_{P-P} \cdot \sqrt{L \cdot C}}{V_{IN}}$$

$$C_C = \frac{V_{IN}}{2 \cdot \pi \cdot V_{P-P} \cdot R_{FB} \cdot f_0}$$

Case 2:  $\frac{1}{2 \cdot \pi \cdot \sqrt{L \cdot C}} \leq f_0 < \frac{1}{2 \cdot \pi \cdot C \cdot ESR}$

$$R_C = R_{FB} \cdot \frac{V_{PP} \cdot (2 \cdot \pi)^2 \cdot f_0^2 \cdot L \cdot C}{V_{IN}} \quad (EQ. 40)$$

$$C_C = \frac{V_{IN}}{(2 \cdot \pi)^2 \cdot f_0^2 \cdot V_{P-P} \cdot R_{FB} \cdot \sqrt{L \cdot C}}$$

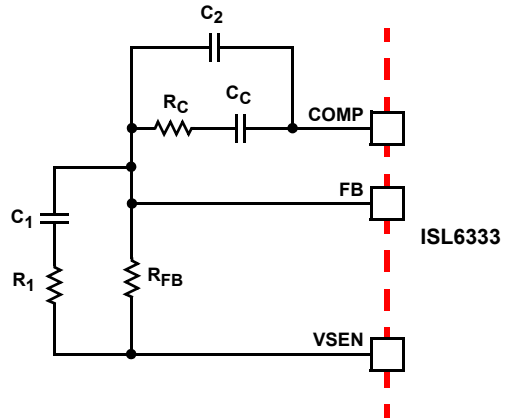
Case 3:  $f_0 > \frac{1}{2 \cdot \pi \cdot C \cdot ESR}$

$$R_C = R_{FB} \cdot \frac{2 \cdot \pi \cdot f_0 \cdot V_{P-P} \cdot L}{V_{IN} \cdot ESR}$$

$$C_C = \frac{V_{IN} \cdot ESR \cdot \sqrt{C}}{2 \cdot \pi \cdot V_{P-P} \cdot R_{FB} \cdot f_0 \cdot \sqrt{L}}$$

**COMPENSATION WITHOUT LOAD-LINE REGULATION**

The non load-line regulated converter is accurately modeled as a voltage-mode regulator with two poles at the L-C resonant frequency and a zero at the ESR frequency. A type III controller, as shown in Figure 25, provides the necessary compensation.



**FIGURE 25. COMPENSATION CIRCUIT WITHOUT LOAD-LINE REGULATION**

The first step is to choose the desired bandwidth,  $f_0$ , of the compensated system. Choose a frequency high enough to assure adequate transient performance but not higher than 1/3 of the switching frequency. The type-III compensator has an extra high-frequency pole,  $f_{HF}$ . This pole can be used for added noise rejection or to assure adequate attenuation at the error-amplifier high-order pole and zero frequencies. A good general rule is to choose  $f_{HF} = 10f_0$ , but it can be higher if desired. Choosing  $f_{HF}$  to be lower than  $10f_0$  can cause problems with too much phase shift below the system bandwidth.

$$R_1 = R_{FB} \cdot \frac{C \cdot ESR}{\sqrt{L \cdot C} - C \cdot ESR}$$

$$C_1 = \frac{\sqrt{L \cdot C} - C \cdot ESR}{R_{FB}}$$

$$C_2 = \frac{V_{IN}}{(2 \cdot \pi)^2 \cdot f_0 \cdot f_{HF} \cdot (\sqrt{L \cdot C}) \cdot R_{FB} \cdot V_{P-P}} \quad (EQ. 41)$$

$$R_C = \frac{V_{PP} \cdot (2\pi)^2 \cdot f_0 \cdot f_{HF} \cdot L \cdot C \cdot R_{FB}}{V_{IN} \cdot (2 \cdot \pi \cdot f_{HF} \cdot \sqrt{L \cdot C} - 1)}$$

$$C_C = \frac{V_{IN} \cdot (2 \cdot \pi \cdot f_{HF} \cdot \sqrt{L \cdot C} - 1)}{(2 \cdot \pi)^2 \cdot f_0 \cdot f_{HF} \cdot (\sqrt{L \cdot C}) \cdot R_{FB} \cdot V_{P-P}}$$

In the solutions to the compensation equations, there is a single degree of freedom. For the solutions presented in Equation 41,  $R_{FB}$  is selected arbitrarily. The remaining compensation components are then selected.

In Equation 41, L is the per-channel filter inductance divided by the number of active channels; C is the sum total of all output capacitors; ESR is the equivalent-series resistance of the bulk output-filter capacitance; and  $V_{P-P}$  is the peak-to-peak sawtooth signal amplitude, as described in the “Electrical Specifications” on page 13.

**Output Filter Design**

The output inductors and the output capacitor bank together to form a low-pass filter responsible for smoothing the pulsating

voltage at the phase nodes. The output filter also must provide the transient energy until the regulator can respond. Because it has a low bandwidth compared to the switching frequency, the output filter limits the system transient response. The output capacitors must supply or sink load current while the current in the output inductors increases or decreases to meet the demand.

In high-speed converters, the output capacitor bank is usually the most costly (and often the largest) part of the circuit. Output filter design begins with minimizing the cost of this part of the circuit. The critical load parameters in choosing the output capacitors are the maximum size of the load step,  $\Delta I$ , the load-current slew rate,  $di/dt$ , and the maximum allowable output-voltage deviation under transient loading,  $\Delta V_{MAX}$ . Capacitors are characterized according to their capacitance, ESR, and ESL (equivalent series inductance).

At the beginning of the load transient, the output capacitors supply all of the transient current. The output voltage will initially deviate by an amount approximated by the voltage drop across the ESL. As the load current increases, the voltage drop across the ESR increases linearly until the load current reaches its final value. The capacitors selected must have sufficiently low ESL and ESR so that the total output-voltage deviation is less than the allowable maximum. Neglecting the contribution of inductor current and regulator response, the output voltage initially deviates by an amount as shown in Equation 42.

$$\Delta V \approx ESL \cdot \frac{di}{dt} + ESR \cdot \Delta I \quad (\text{EQ. 42})$$

The filter capacitor must have sufficiently low ESL and ESR so that  $\Delta V < \Delta V_{MAX}$ .

Most capacitor solutions rely on a mixture of high frequency capacitors with relatively low capacitance in combination with bulk capacitors having high capacitance but limited high-frequency performance. Minimizing the ESL of the high-frequency capacitors allows them to support the output voltage as the current increases. Minimizing the ESR of the bulk capacitors allows them to supply the increased current with less output voltage deviation.

The ESR of the bulk capacitors also creates the majority of the output-voltage ripple. As the bulk capacitors sink and source the inductor AC ripple current (see “Interleaving” on page 17 and Equation 2), a voltage develops across the bulk capacitor ESR equal to  $I_{C(P-P)}(ESR)$ . Thus, once the output capacitors are selected, the maximum allowable ripple voltage,  $V_{P-P}(MAX)$ , determines the lower limit on the inductance.

$$L \geq ESR \cdot \frac{(V_{IN} - N \cdot V_{OUT}) \cdot V_{OUT}}{f_S \cdot V_{IN} \cdot V_{P-P}(MAX)} \quad (\text{EQ. 43})$$

Since the capacitors are supplying a decreasing portion of the load current while the regulator recovers from the transient, the capacitor voltage becomes slightly depleted. The output

inductors must be capable of assuming the entire load current before the output voltage decreases more than  $\Delta V_{MAX}$ . This places an upper limit on inductance.

Equation 44 gives the upper limit on L for the cases when the trailing edge of the current transient causes a greater output-voltage deviation than the leading edge. Equation 45 addresses the leading edge. Normally, the trailing edge dictates the selection of L because duty cycles are usually less than 50%. Nevertheless, both inequalities should be evaluated, and L should be selected based on the lower of the two results. In each equation, L is the per-channel inductance, C is the total output capacitance, and N is the number of active channels.

$$L \leq \frac{2 \cdot N \cdot C \cdot V_O}{(\Delta I)^2} \cdot [\Delta V_{MAX} - (\Delta I \cdot ESR)] \quad (\text{EQ. 44})$$

$$L \leq \frac{1.25 \cdot N \cdot C}{(\Delta I)^2} \cdot [\Delta V_{MAX} - (\Delta I \cdot ESR)] \cdot (V_{IN} - V_O) \quad (\text{EQ. 45})$$

### Switching Frequency

There are a number of variables to consider when choosing the switching frequency, as there are considerable effects on the upper MOSFET loss calculation. These effects are outlined in the “MOSFETs General Design Guide” on page 31 and they establish the upper limit for the switching frequency. The lower limit is established by the requirement for fast transient response and small output-voltage ripple. Choose the lowest switching frequency that allows the regulator to meet the transient-response requirements.

Switching frequency is determined by the selection of the frequency-setting resistor,  $R_T$ . Figure 26 and Equation 46 are provided to assist in selecting the correct value for  $R_T$ .

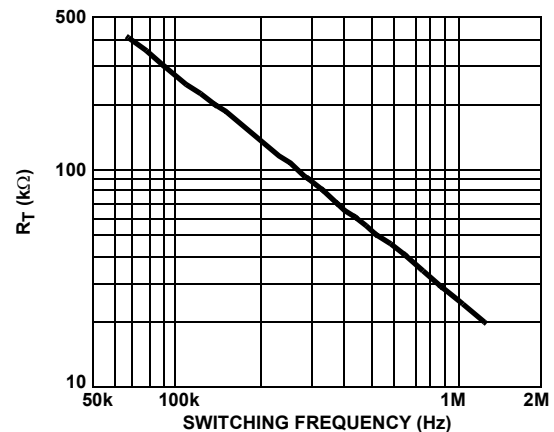


FIGURE 26.  $R_T$  vs SWITCHING FREQUENCY

$$R_T = 10^{[10.61 - (1.035 \cdot \log(f_S))]} \quad (\text{EQ. 46})$$

### Input Capacitor Selection

The input capacitors are responsible for sourcing the AC component of the input current flowing into the upper MOSFETs. Their RMS current capacity must be sufficient

enough to handle the AC component of the current drawn by the upper MOSFETs which is related to duty cycle and the number of active phases.

For a three-phase design, use Figure 27 to determine the input-capacitor RMS current requirement set by the duty cycle, maximum sustained output current ( $I_O$ ), and the ratio of the peak-to-peak inductor current ( $I_{L(P-P)}$ ) to  $I_O$ .

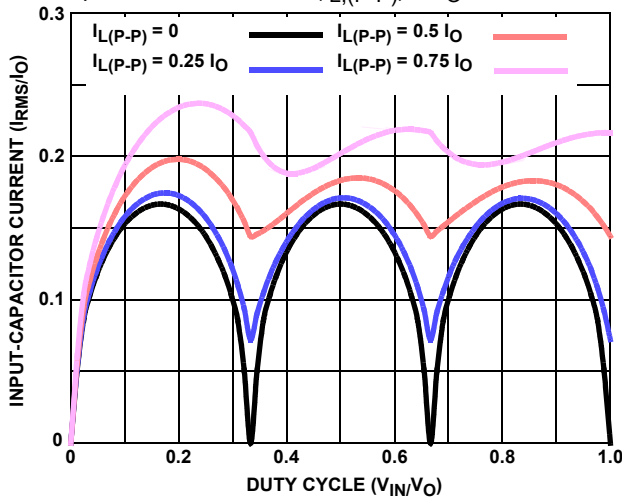


FIGURE 27. NORMALIZED INPUT-CAPACITOR RMS CURRENT FOR 3-PHASE CONVERTER

Select a bulk capacitor with a ripple current rating which will minimize the total number of input capacitors required to support the RMS current calculated. The voltage rating of the capacitors should also be at least 1.25x greater than the maximum input

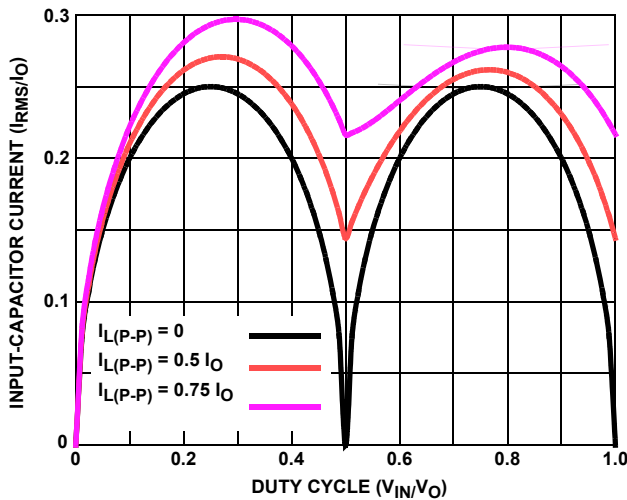


FIGURE 28. NORMALIZED INPUT-CAPACITOR RMS CURRENT FOR 2-PHASE CONVERTER

voltage. Figures 28 and 29 provide the same input RMS current information for two-phase and single-phase designs respectively. Use the same approach for selecting the bulk capacitor type and number.

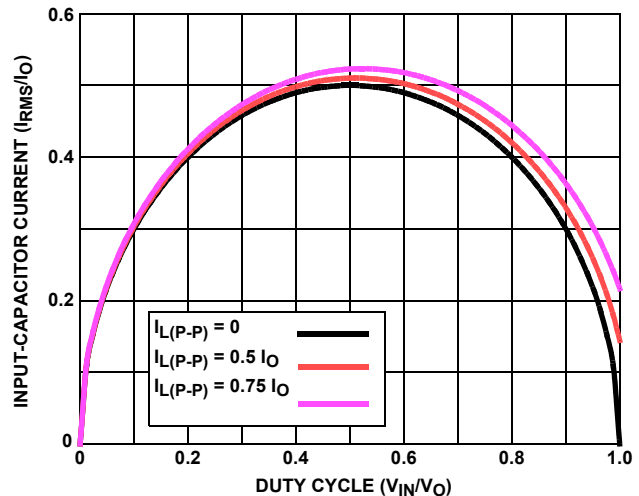


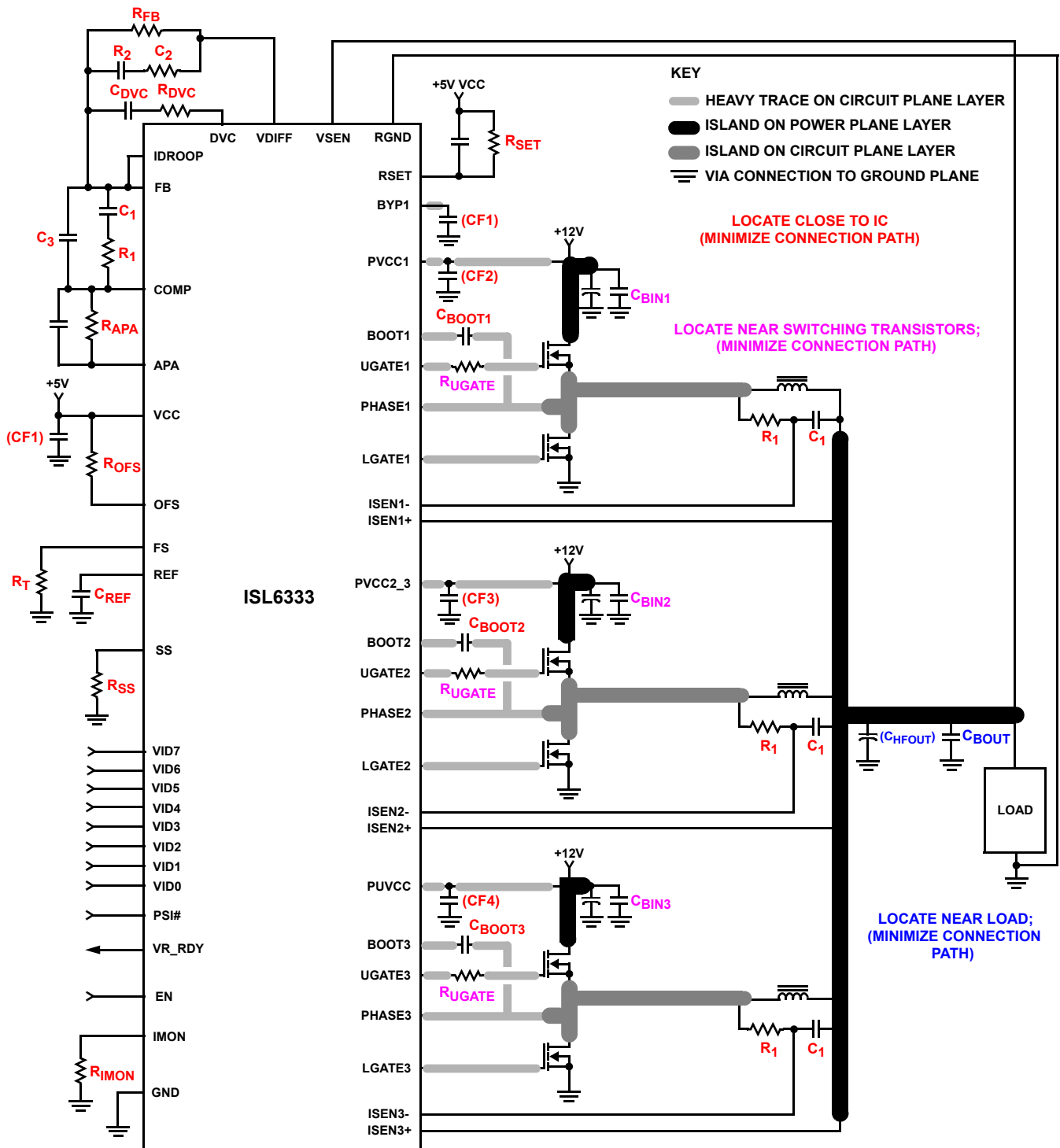
FIGURE 29. NORMALIZED INPUT-CAPACITOR RMS CURRENT FOR SINGLE-PHASE CONVERTER

Low capacitance, high-frequency ceramic capacitors are needed in addition to the input bulk capacitors to suppress leading and falling edge voltage spikes. The spikes result from the high current slew rate produced by the upper MOSFET turn on and off. Select low ESL ceramic capacitors and place one as close as possible to each upper MOSFET drain to minimize board parasitics and maximize suppression.

### Layout Considerations

MOSFETs switch very fast and efficiently. The speed with which the current transitions from one device to another causes voltage spikes across the interconnecting impedances and parasitic circuit elements. These voltage spikes can degrade efficiency, radiate noise into the circuit and lead to device overvoltage stress. Careful component selection, layout, and placement minimizes these voltage spikes. Consider, as an example, the turnoff transition of the upper PWM MOSFET. Prior to turnoff, the upper MOSFET was carrying channel current. During the turnoff, current stops flowing in the upper MOSFET and is picked up by the lower MOSFET. Any inductance in the switched current path generates a large voltage spike during the switching interval. Careful component selection, tight layout of the critical components, and short, wide circuit traces minimize the magnitude of voltage spikes.

There are two sets of critical components in a DC/DC converter using the ISL6333 family of controllers. The power components are the most critical because they switch large amounts of energy. Next are small signal components that connect to sensitive nodes or supply critical bypassing current and signal coupling.



The power components should be placed first, which includes the MOSFETs, input and output capacitors, and the inductors. It is important to have a symmetrical layout for each power train, preferably with the controller located equidistant from each. Symmetrical layout allows heat to be dissipated equally across all power trains. Equidistant placement of the controller to the power trains it controls through the integrated drivers helps keep the gate drive traces equally short, resulting in equal trace impedances and similar drive capability of all sets of MOSFETs.

When placing the MOSFETs, try to keep the source of the upper FETs and the drain of the lower FETs as close as thermally possible. Input bulk capacitors should be placed close to the drain of the upper FETs and the source of the lower FETs. Locate the output inductors and output capacitors between the MOSFETs and the load. The high-frequency input and output decoupling capacitors (ceramic) should be placed as close as practicable to the decoupling target, making use of the shortest connection paths to any internal planes, such as vias to GND next or on the capacitor solder pad.

The critical small components include the bypass capacitors for VCC and PVCC, and many of the components surrounding the controller including the feedback network and current sense components. Locate the VCC/PVCC bypass capacitors as close to the controller as possible. It is especially important to locate the components associated with the feedback circuit close to their respective controller pins, since they belong to a high-impedance circuit loop, sensitive to EMI pick-up.

A multi-layer printed circuit board is recommended. Figure 30 shows the connections of the critical components for the converter. Note that capacitors  $C_{xx(IN)}$  and  $C_{xx(OUT)}$  could each represent numerous physical capacitors. Dedicate one solid layer, usually the one underneath the component side of the board, for a ground plane and make all critical component ground connections with vias to this layer.

Dedicate another solid layer as a power plane and break this plane into smaller islands of common voltage levels. Keep the metal runs from the PHASE terminal to output inductors short. The power plane should support the input power and output power nodes. Use copper filled polygons on the top and bottom circuit layers for the phase nodes. Use the remaining printed circuit layers for small signal wiring.

© Copyright Intersil Americas LLC 2008-2010. All Rights Reserved.

All trademarks and registered trademarks are the property of their respective owners.

For additional products, see [www.intersil.com/en/products.html](http://www.intersil.com/en/products.html)

Intersil products are manufactured, assembled and tested utilizing ISO9001 quality systems as noted in the quality certifications found at [www.intersil.com/en/support/qualandreliability.html](http://www.intersil.com/en/support/qualandreliability.html)

*Intersil products are sold by description only. Intersil may modify the circuit design and/or specifications of products at any time without notice, provided that such modification does not, in Intersil's sole judgment, affect the form, fit or function of the product. Accordingly, the reader is cautioned to verify that datasheets are current before placing orders. Information furnished by Intersil is believed to be accurate and reliable. However, no responsibility is assumed by Intersil or its subsidiaries for its use; nor for any infringements of patents or other rights of third parties which may result from its use. No license is granted by implication or otherwise under any patent or patent rights of Intersil or its subsidiaries.*

For information regarding Intersil Corporation and its products, see [www.intersil.com](http://www.intersil.com)

### **Routing UGATE, LGATE, and PHASE Traces**

Great attention should be paid to routing the UGATE, LGATE, and PHASE traces since they drive the power train MOSFETs using short, high current pulses. It is important to size them as large and as short as possible to reduce their overall impedance and inductance. They should be sized to carry at least one ampere of current (0.02" to 0.05"). Going between layers with vias should also be avoided, but if so, use two vias for interconnection when possible.

Extra care should be given to the LGATE traces in particular since keeping their impedance and inductance low helps to significantly reduce the possibility of shoot-through. It is also important to route each channels UGATE and PHASE traces in as close proximity as possible to reduce their inductances.

### **Current Sense Component Placement and Trace Routing**

One of the most critical aspects of the controller regulator layout is the placement of the inductor DCR current sense components and traces. The R-C current sense components must be placed as close to their respective ISEN+ and ISEN- pins on the controller as possible.

The sense traces that connect the R-C sense components to each side of the output inductors should be routed on the bottom of the board, away from the noisy switching components located on the top of the board. These traces should be routed side by side, and they should be very thin traces. It's important to route these traces as far away from any other noisy traces or planes as possible. These traces should pick up as little noise as possible.

### **Thermal Management**

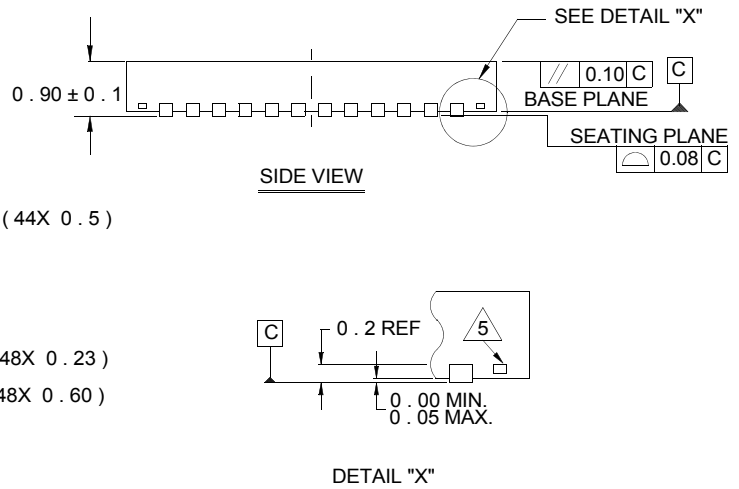
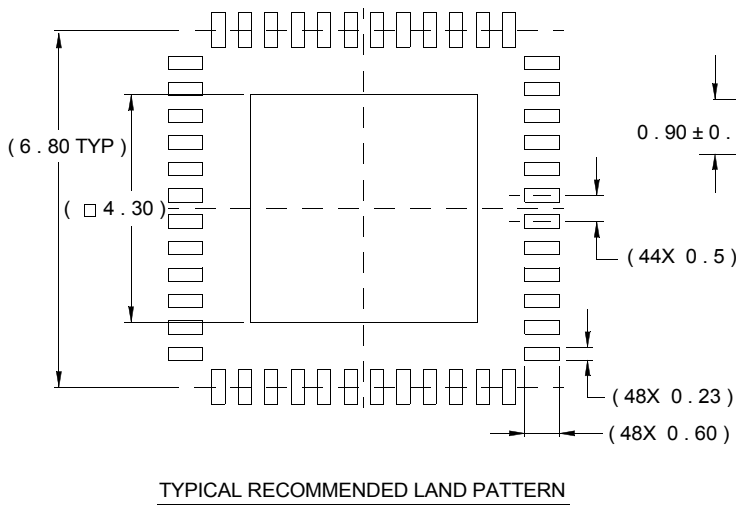
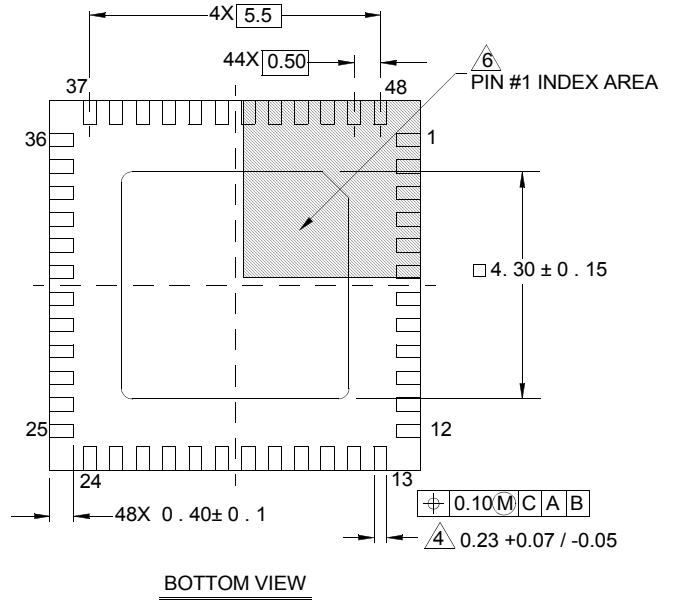
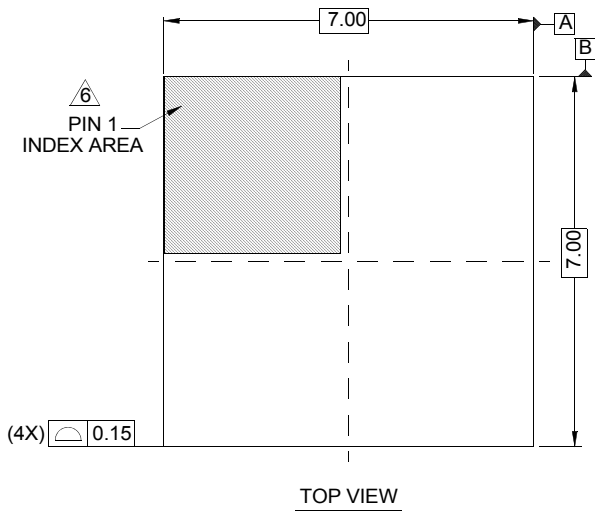
For maximum thermal performance in high current, high switching frequency applications, connecting the thermal GND pad of the controllers to the ground plane with multiple vias is recommended. This heat spreading allows the part to achieve its full thermal potential. It is also recommended that the controllers be placed in a direct path of airflow if possible to help thermally manage the part.

# Package Outline Drawing

## L48.7x7

48 LEAD QUAD FLAT NO-LEAD PLASTIC PACKAGE

Rev 5, 4/10



NOTES:

1. Dimensions are in millimeters.  
Dimensions in ( ) for Reference Only.
2. Dimensioning and tolerancing conform to AMSE Y14.5m-1994.
3. Unless otherwise specified, tolerance : Decimal ± 0.05
4. Dimension applies to the metallized terminal and is measured between 0.15mm and 0.30mm from the terminal tip.
5. Tiebar shown (if present) is a non-functional feature.
6. The configuration of the pin #1 identifier is optional, but must be located within the zone indicated. The pin #1 identifier may be either a mold or mark feature.





Компания «ЭлектроПласт» предлагает заключение долгосрочных отношений при поставках импортных электронных компонентов на взаимовыгодных условиях!

Наши преимущества:

- Оперативные поставки широкого спектра электронных компонентов отечественного и импортного производства напрямую от производителей и с крупнейших мировых складов;
- Поставка более 17-ти миллионов наименований электронных компонентов;
- Поставка сложных, дефицитных, либо снятых с производства позиций;
- Оперативные сроки поставки под заказ (от 5 рабочих дней);
- Экспресс доставка в любую точку России;
- Техническая поддержка проекта, помощь в подборе аналогов, поставка прототипов;
- Система менеджмента качества сертифицирована по Международному стандарту ISO 9001;
- Лицензия ФСБ на осуществление работ с использованием сведений, составляющих государственную тайну;
- Поставка специализированных компонентов (Xilinx, Altera, Analog Devices, Intersil, Interpoint, Microsemi, Aeroflex, Peregrine, Syfer, Eurofarad, Texas Instrument, Miteq, Cobham, E2V, MA-COM, Hittite, Mini-Circuits, General Dynamics и др.);

Помимо этого, одним из направлений компании «ЭлектроПласт» является направление «Источники питания». Мы предлагаем Вам помощь Конструкторского отдела:

- Подбор оптимального решения, техническое обоснование при выборе компонента;
- Подбор аналогов;
- Консультации по применению компонента;
- Поставка образцов и прототипов;
- Техническая поддержка проекта;
- Защита от снятия компонента с производства.



#### Как с нами связаться

**Телефон:** 8 (812) 309 58 32 (многоканальный)

**Факс:** 8 (812) 320-02-42

**Электронная почта:** [org@eplast1.ru](mailto:org@eplast1.ru)

**Адрес:** 198099, г. Санкт-Петербург, ул. Калинина, дом 2, корпус 4, литера А.