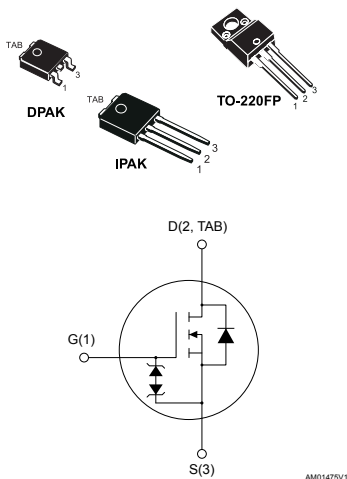


## N-channel 620 V, 2.2 $\Omega$ typ., 2.7 A MDmesh™ K3 Power MOSFETs in DPAK, TO-220FP and IPAK packages



### Features

Order code	$V_{DS}$	$R_{DS(on)max.}$	$I_D$	Package
STD3N62K3	620 V	2.5 $\Omega$	2.7 A	DPAK
STF3N62K3			2.7 A	TO-220FP
STU3N62K3			2.7 A	IPAK

- 100% avalanche tested
- Extremely high dv/dt capability
- Very low intrinsic capacitance
- Improved diode reverse recovery characteristics
- Zener-protected

### Applications

- Switching applications

### Description

These MDmesh™ K3 Power MOSFETs are the result of improvements applied to STMicroelectronics' MDmesh™ technology, combined with a new optimized vertical structure. These devices boast an extremely low on-resistance, superior dynamic performance and high avalanche capability, rendering them suitable for the most demanding applications.

#### Product status link

[STD3N62K3](#)
[STF3N62K3](#)
[STU3N62K3](#)

# 1 Electrical ratings

**Table 1. Absolute maximum ratings**

Symbol	Parameter	Value			Unit
		DPAK	TO-220FP	IPAK	
$V_{DS}$	Drain-source voltage	620			V
$V_{GS}$	Gate-source voltage	±30			V
$I_D$	Drain current (continuous) at $T_C = 25\text{ °C}$	2.7	2.7 <sup>(1)</sup>	2.7	A
$I_D$	Drain current (continuous) at $T_C = 100\text{ °C}$	1.7	1.7 <sup>(1)</sup>	1.7	A
$I_{DM}^{(2)}$	Drain current (pulsed)	10.8	10.8 <sup>(1)</sup>	10.8	A
$P_{TOT}$	Total dissipation at $T_C = 25\text{ °C}$	45	20	45	W
ESD	Gate-source human body model ( $C = 100\text{ pF}$ , $R = 1.5\text{ k}\Omega$ )	2.5			kV
$dv/dt^{(3)}$	Peak diode recovery voltage slope	9			V/ns
$V_{ISO}$	Insulation withstand voltage (RMS) from all three leads to external heat sink ( $t = 1\text{ s}$ ; $T_C = 25\text{ °C}$ )	2500			V
$T_j$	Operating junction temperature range	-55 to 150			°C
$T_{stg}$	Storage temperature range				

- Limited by maximum junction temperature.
- Pulse width limited by safe operating area.
- $I_{SD} \leq 2.7\text{ A}$ ,  $di/dt \leq 200\text{ A}/\mu\text{s}$ ,  $V_{DSpeak} \leq V_{(BR)DSS}$ ,  $V_{DD} = 80\% V_{(BR)DSS}$ .

**Table 2. Thermal data**

Symbol	Parameter	Value			Unit
		DPAK	TO-220FP	IPAK	
$R_{thj-case}$	Thermal resistance junction-case	2.78	6.25	2.78	°C/W
$R_{thj-amb}$	Thermal resistance junction-ambient	62.5		100	°C/W
$R_{thj-pcb}^{(1)}$	Thermal resistance junction-pcb	50			°C/W

- When mounted on 1inch<sup>2</sup> FR-4 board, 2 oz Cu.

**Table 3. Avalanche characteristics**

Symbol	Parameter	Value	Unit
$I_{AR}^{(1)}$	Avalanche current, repetitive or not-repetitive	2.7	A
$E_{AS}^{(2)}$	Single pulse avalanche energy	100	mJ

- Pulse width limited by  $T_j$  max.
- Starting  $T_j = 25\text{ °C}$ ,  $I_D = I_{AR}$ ,  $V_{DD} = 50\text{ V}$ .

## 2 Electrical characteristics

( $T_{CASE} = 25\text{ °C}$  unless otherwise specified)

**Table 4. On/off states**

Symbol	Parameter	Test conditions	Min.	Typ.	Max.	Unit
$V_{(BR)DSS}$	Drain-source breakdown voltage	$I_D = 1\text{ mA}$ , $V_{GS} = 0\text{ V}$	620			V
$I_{DSS}$	Zero gate voltage drain current	$V_{GS} = 0\text{ V}$ , $V_{DS} = 620\text{ V}$			1	$\mu\text{A}$
		$V_{GS} = 0\text{ V}$ , $V_{DS} = 620\text{ V}$ , $T_C = 125\text{ °C}$ <sup>(1)</sup>			50	$\mu\text{A}$
$I_{GSS}$	Gate body leakage current	$V_{DS} = 0\text{ V}$ , $V_{GS} = \pm 20\text{ V}$			$\pm 10$	$\mu\text{A}$
$V_{GS(th)}$	Gate threshold voltage	$V_{DS} = V_{GS}$ , $I_D = 50\text{ }\mu\text{A}$	3	3.75	4.5	V
$R_{DS(on)}$	Static drain-source on resistance	$V_{GS} = 10\text{ V}$ , $I_D = 1.4\text{ A}$		2.2	2.5	$\Omega$

1. Defined by design, not subject to production test.

**Table 5. Dynamic**

Symbol	Parameter	Test conditions	Min.	Typ.	Max.	Unit
$C_{iss}$	Input capacitance	$V_{DS} = 25\text{ V}$ , $f = 1\text{ MHz}$ , $V_{GS} = 0\text{ V}$	-	385	-	$\mu\text{F}$
$C_{oss}$	Output capacitance			55		
$C_{rss}$	Reverse transfer capacitance			6		
$C_{oss\text{ eq.}}^{(1)}$	Equivalent output capacitance	$V_{DS} = 0\text{ to }496\text{ V}$ , $V_{GS} = 0\text{ V}$	-	32.3	-	$\mu\text{F}$
$R_G$	Intrinsic gate resistance	$f = 1\text{ MHz}$ open drain	-	10	-	$\Omega$
$Q_g$	Total gate charge	$V_{DD} = 496\text{ V}$ , $I_D = 3.4\text{ A}$ , $V_{GS} = 0\text{ to }10\text{ V}$ (see Figure 16. Test circuit for gate charge behavior)	-	13	-	nC
$Q_{gs}$	Gate-source charge			2.5		
$Q_{gd}$	Gate-drain charge			7.5		

1.  $C_{oss\text{ eq.}}$  is defined as a constant equivalent capacitance giving the same charging time as  $C_{oss}$  when  $V_{DS}$  increases from 0 to 80%  $V_{DSS}$ .

**Table 6. Switching times**

Symbol	Parameter	Test conditions	Min.	Typ.	Max.	Unit
$t_{d(on)}$	Turn-on delay time	$V_{DD} = 310\text{ V}$ , $I_D = 1.7\text{ A}$ , $R_G = 4.7\text{ }\Omega$ , $V_{GS} = 10\text{ V}$ (see Figure 15. Test circuit for resistive load switching times and Figure 20. Switching time waveform)	-	9	-	ns
$t_r$	Rise time			6.8		
$t_{d(off)}$	Turn-off delay time			22		
$t_f$	Fall time			15.6		

**Table 7. Source drain diode**

Symbol	Parameter	Test conditions	Min.	Typ.	Max.	Unit
$I_{SD}$	Source-drain current		-		2.7	A
$I_{SDM}^{(1)}$	Source-drain current (pulsed)				10.8	
$V_{SD}^{(2)}$	Forward on voltage	$I_{SD} = 2.7\text{ A}$ , $V_{GS} = 0\text{ V}$	-		1.6	V
$t_{rr}$	Reverse recovery time	$I_{SD} = 2.7\text{ A}$ , $di/dt = 100\text{ A}/\mu\text{s}$	-	190		ns
$Q_{rr}$	Reverse recovery charge	$V_{DD} = 60\text{ V}$ (see Figure 17. Test circuit for inductive load switching and diode recovery times)		825		nC
$I_{RRM}$	Reverse recovery current			9		A
$t_{rr}$	Reverse recovery time	$I_{SD} = 2.7\text{ A}$ , $di/dt = 100\text{ A}/\mu\text{s}$	-	255		ns
$Q_{rr}$	Reverse recovery charge	$V_{DD} = 60\text{ V}$ , $T_j = 150\text{ }^\circ\text{C}$ (see Figure 17. Test circuit for inductive load switching and diode recovery times)		1100		nC
$I_{RRM}$	Reverse recovery current			10		A

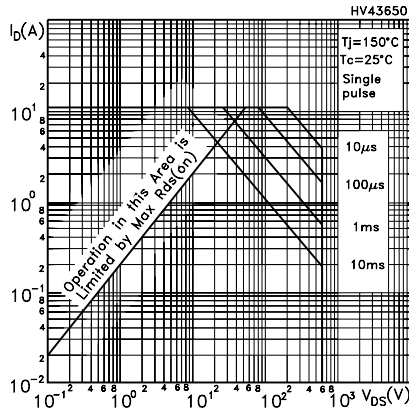
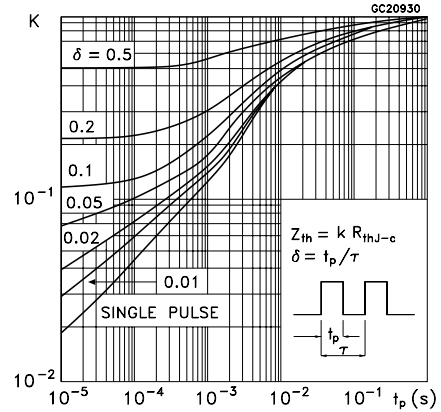
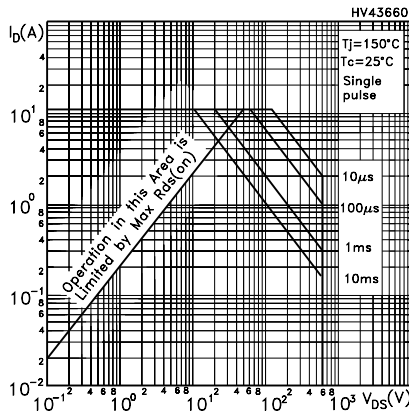
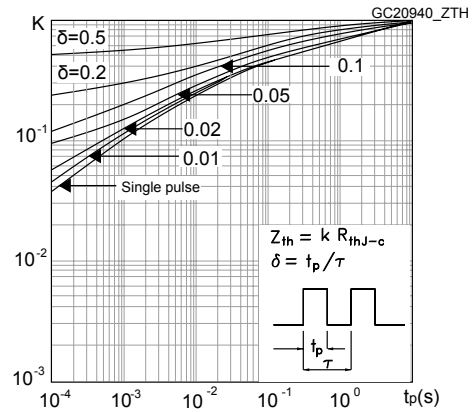
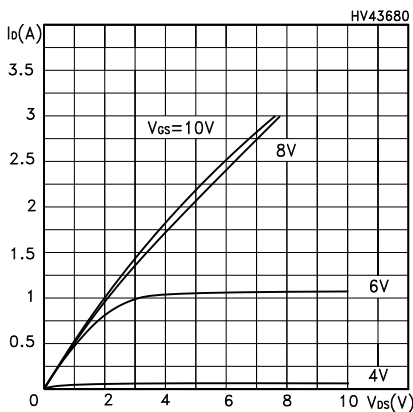
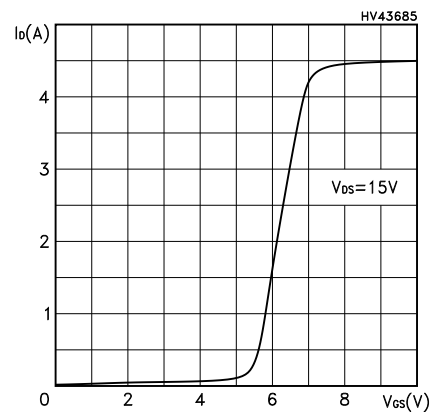
1. Pulse width limited by safe operating area.
2. Pulsed: pulse duration = 300  $\mu\text{s}$ , duty cycle 1.5%.

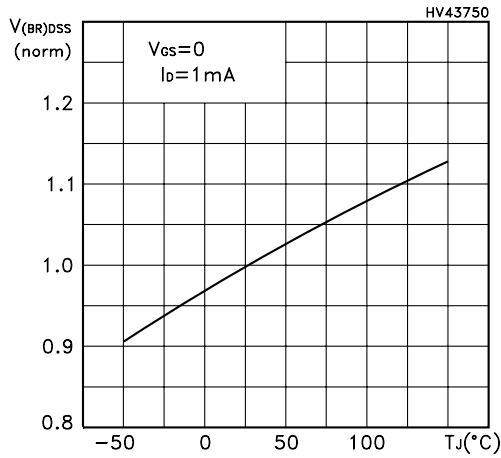
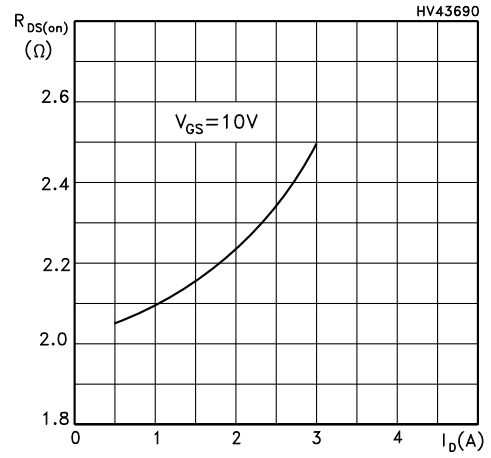
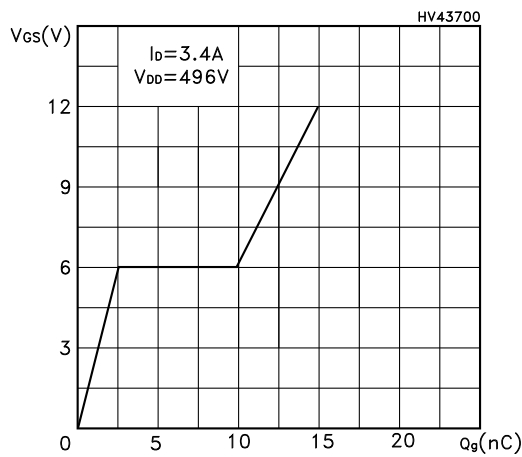
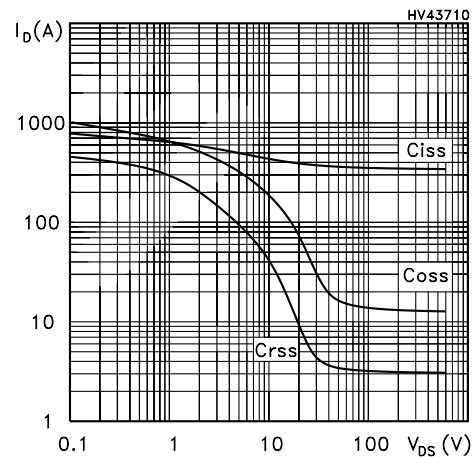
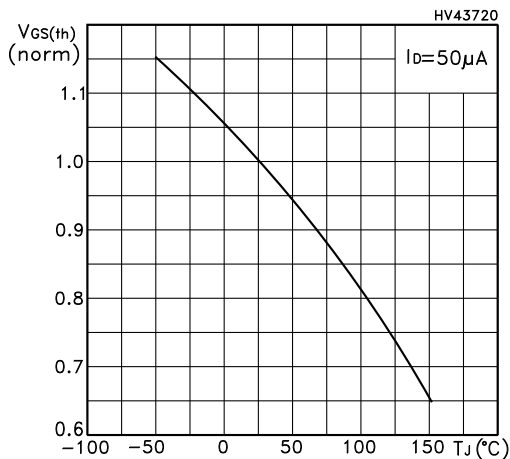
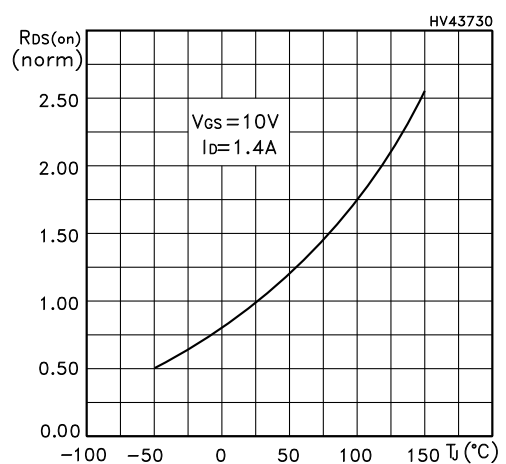
**Table 8. Gate-source Zener diode**

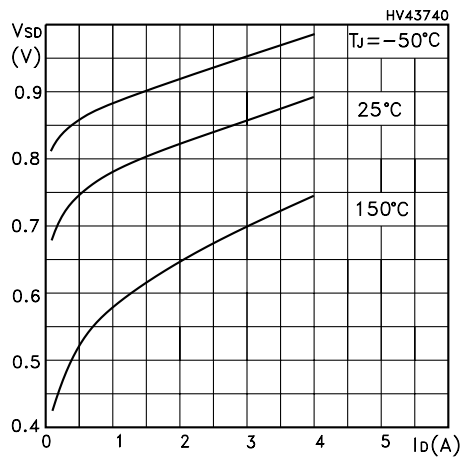
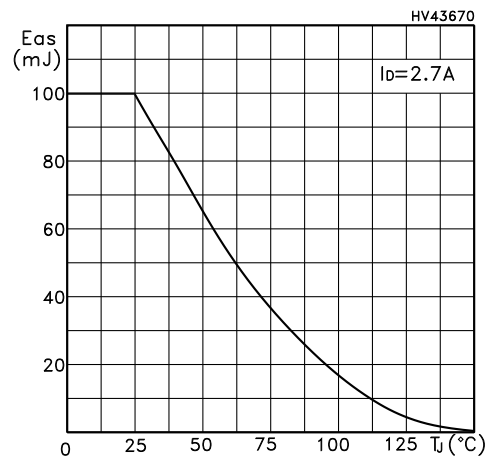
Symbol	Parameter	Test conditions	Min.	Typ.	Max.	Unit
$V_{(BR)GSO}$	Gate-source breakdown voltage	$I_{GS} = \pm 1\text{ mA}$ , $I_D = 0\text{ A}$	30	-	-	V

The built-in back-to-back Zener diodes are specifically designed to enhance the ESD performance of the device. The Zener voltage facilitates efficient and cost-effective device integrity protection, thus eliminating the need for additional external componentry.

## 2.1 Electrical characteristics curves

**Figure 1. Safe operating area for DPAK/IPAK**

**Figure 2. Thermal impedance for DPAK/IPAK**

**Figure 3. Safe operating area for TO-220FP**

**Figure 4. Thermal impedance for TO-220FP**

**Figure 5. Output characteristics**

**Figure 6. Transfer characteristics**


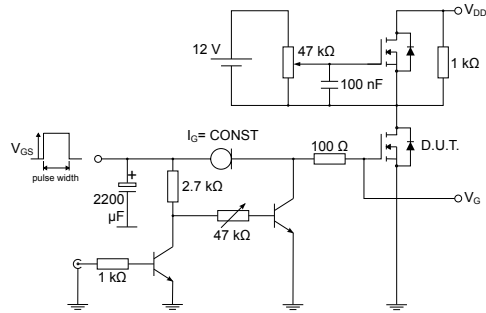
**Figure 7. Normalized  $V_{(BR)DSS}$  vs temperature**

**Figure 8. Static drain-source on-resistance**

**Figure 9. Gate charge vs gate-source voltage**

**Figure 10. Capacitance variations**

**Figure 11. Normalized gate threshold voltage vs temperature**

**Figure 12. Normalized on-resistance vs temperature**


**Figure 13. Source-drain diode forward characteristics**

**Figure 14. Maximum avalanche energy vs temperature**


### 3 Test circuits

**Figure 15. Test circuit for resistive load switching times**


AM01468v1

**Figure 16. Test circuit for gate charge behavior**


AM01469v1

**Figure 17. Test circuit for inductive load switching and diode recovery times**

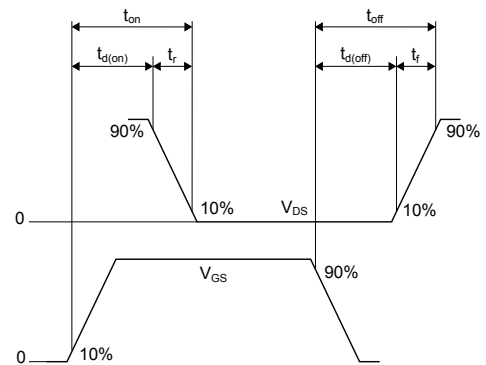

AM01470v1

**Figure 18. Unclamped inductive load test circuit**


AM01471v1

**Figure 19. Unclamped inductive waveform**


AM01472v1

**Figure 20. Switching time waveform**


AM01473v1



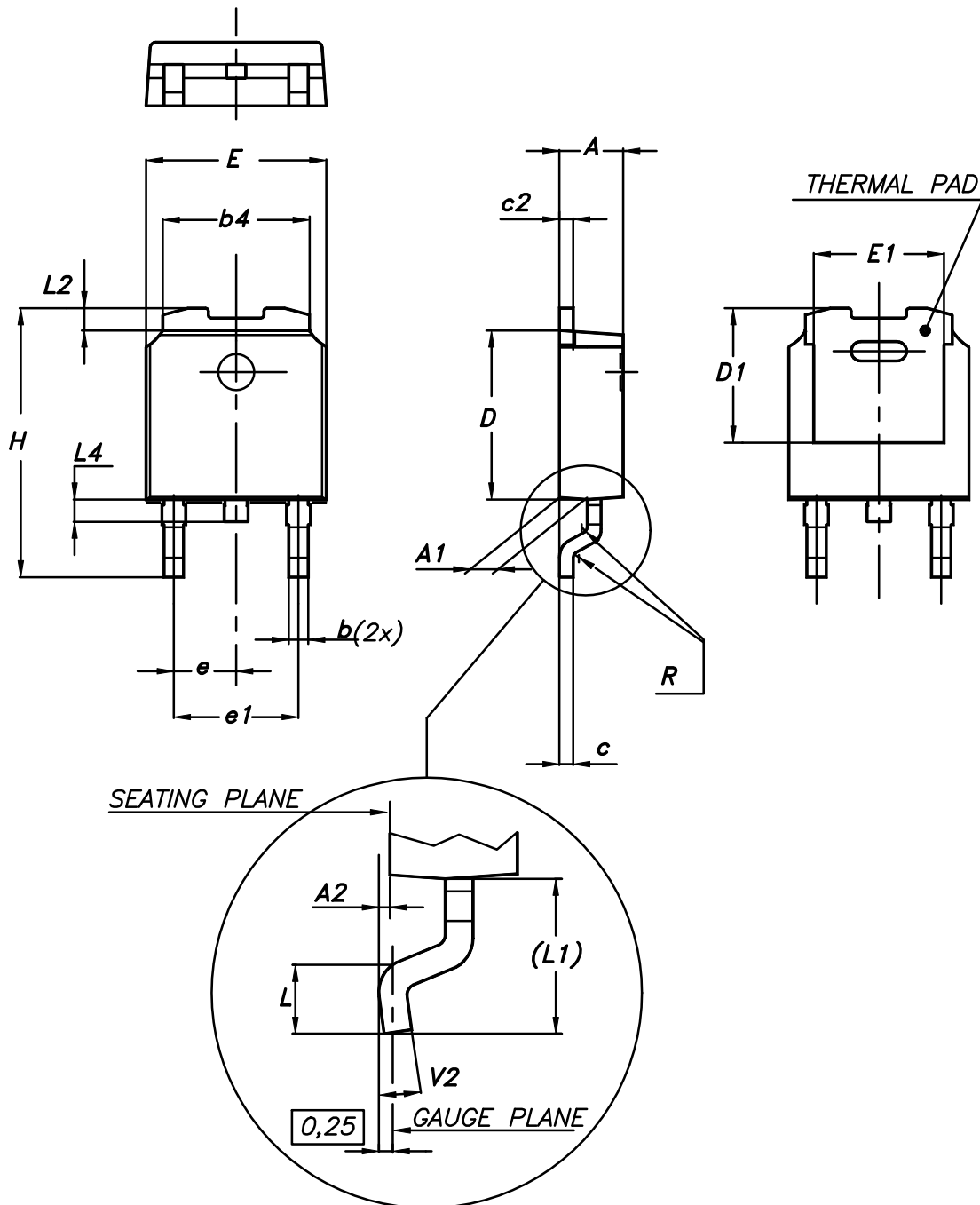
## 4 Package information

---

In order to meet environmental requirements, ST offers these devices in different grades of ECOPACK® packages, depending on their level of environmental compliance. ECOPACK® specifications, grade definitions and product status are available at: [www.st.com](http://www.st.com). ECOPACK® is an ST trademark.

### 4.1 DPAK (TO-252) type A package information

Figure 21. DPAK (TO-252) type A package outline



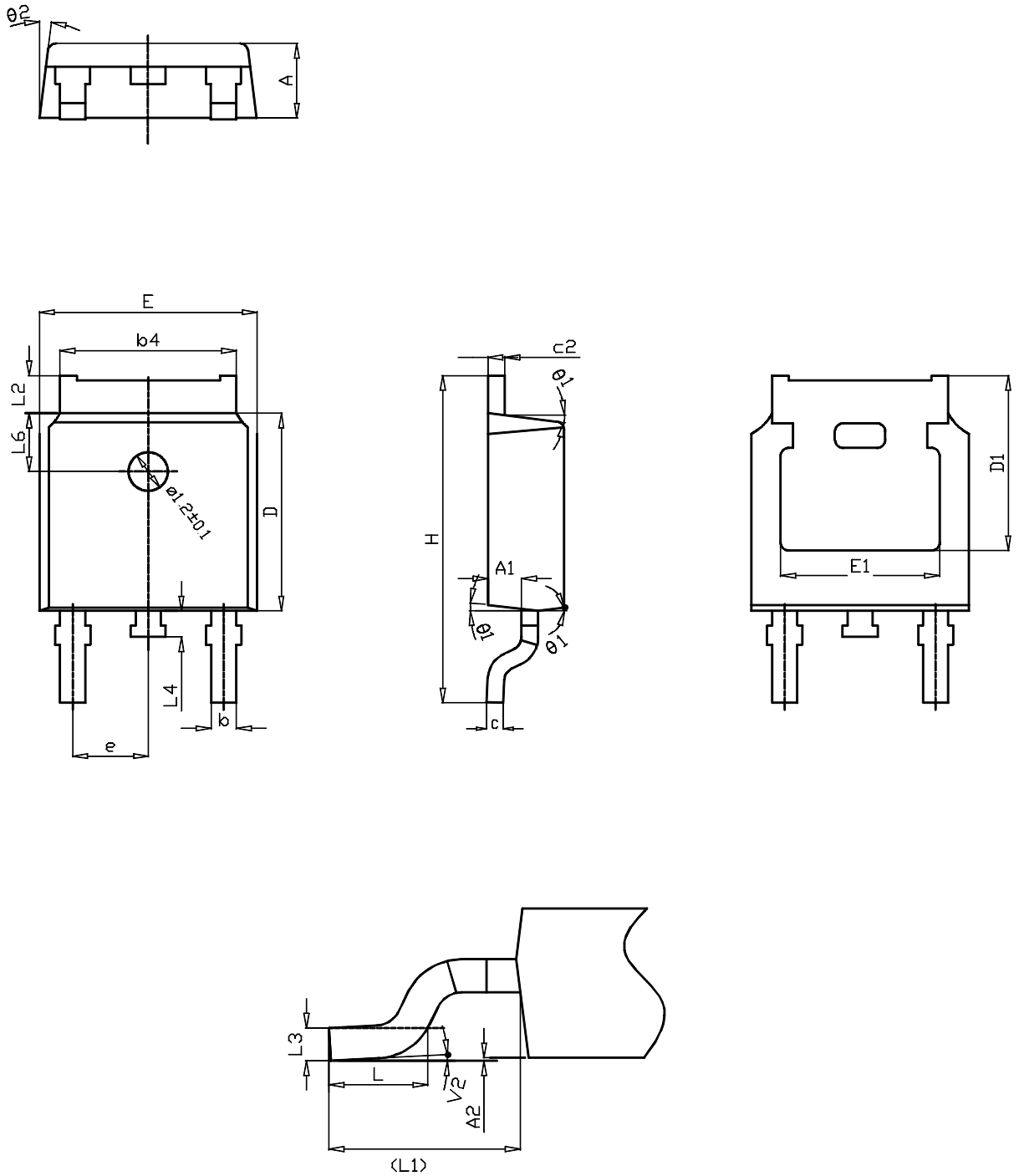
0068772\_A\_25

**Table 9. DPAK (TO-252) type A mechanical data**

Dim.	mm		
	Min.	Typ.	Max.
A	2.20		2.40
A1	0.90		1.10
A2	0.03		0.23
b	0.64		0.90
b4	5.20		5.40
c	0.45		0.60
c2	0.48		0.60
D	6.00		6.20
D1	4.95	5.10	5.25
E	6.40		6.60
E1	4.60	4.70	4.80
e	2.159	2.286	2.413
e1	4.445	4.572	4.699
H	9.35		10.10
L	1.00		1.50
(L1)	2.60	2.80	3.00
L2	0.65	0.80	0.95
L4	0.60		1.00
R		0.20	
V2	0°		8°

## 4.2 DPAK (TO-252) type C package information

Figure 22. DPAK (TO-252) type C package outline



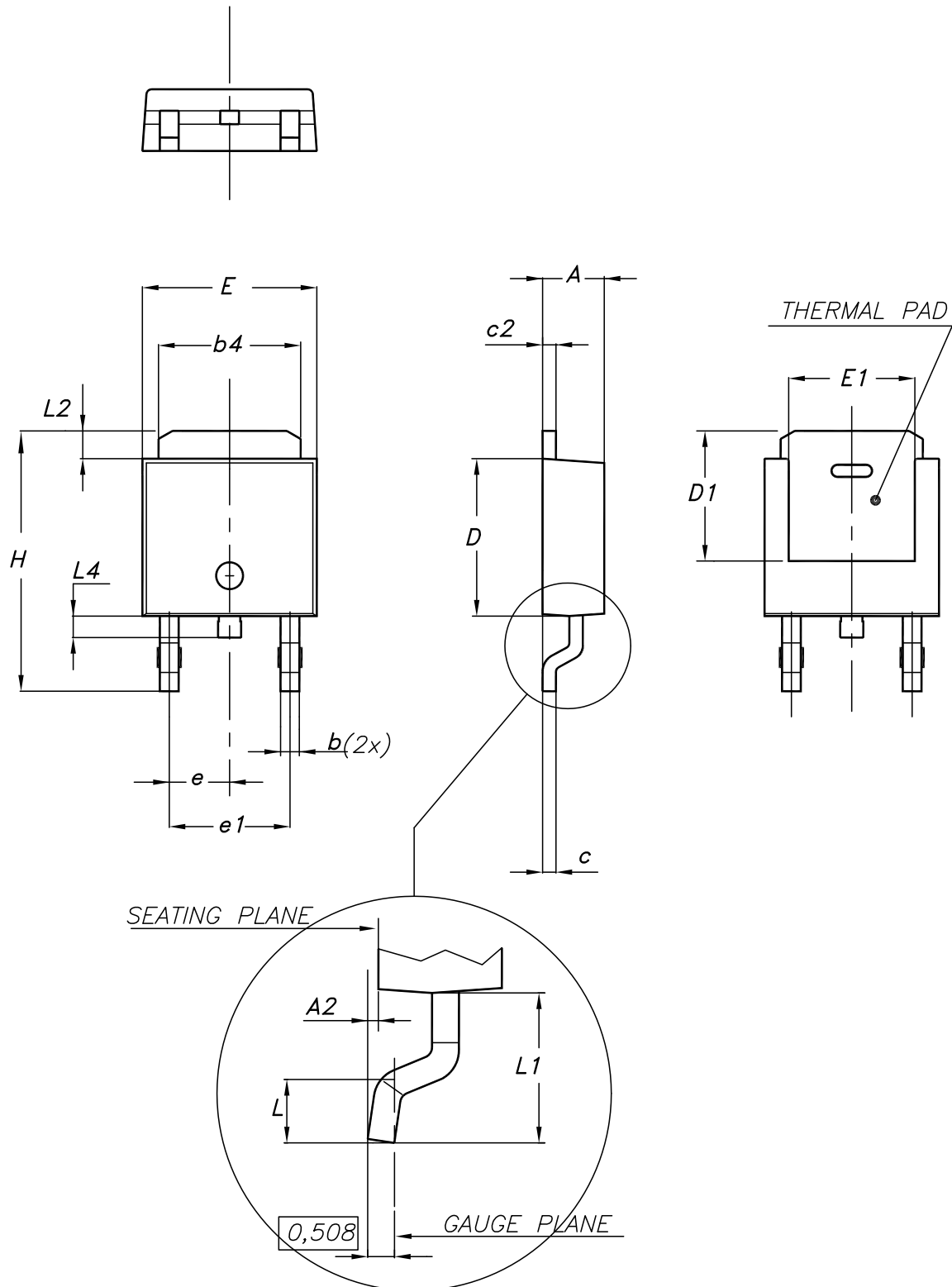
0068772\_C\_25

**Table 10. DPAK (TO-252) type C mechanical data**

Dim.	mm		
	Min.	Typ.	Max.
A	2.20	2.30	2.38
A1	0.90	1.01	1.10
A2	0.00		0.10
b	0.72		0.85
b4	5.13	5.33	5.46
c	0.47		0.60
c2	0.47		0.60
D	6.00	6.10	6.20
D1	5.25		
E	6.50	6.60	6.70
E1	4.70		
e	2.186	2.286	2.386
H	9.80	10.10	10.40
L	1.40	1.50	1.70
L1	2.90 REF		
L2	0.90		1.25
L3	0.51 BSC		
L4	0.60	0.80	1.00
L6	1.80 BSC		
θ1	5°	7°	9°
θ2	5°	7°	9°
V2	0°		8°

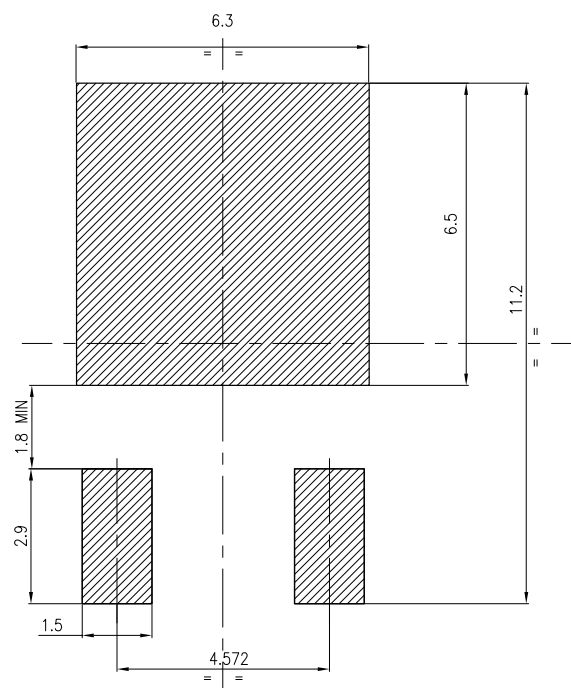
### 4.3 DPAK (TO-252) type E package information

Figure 23. DPAK (TO-252) type E package outline



**Table 11. DPAK (TO-252) type E mechanical data**

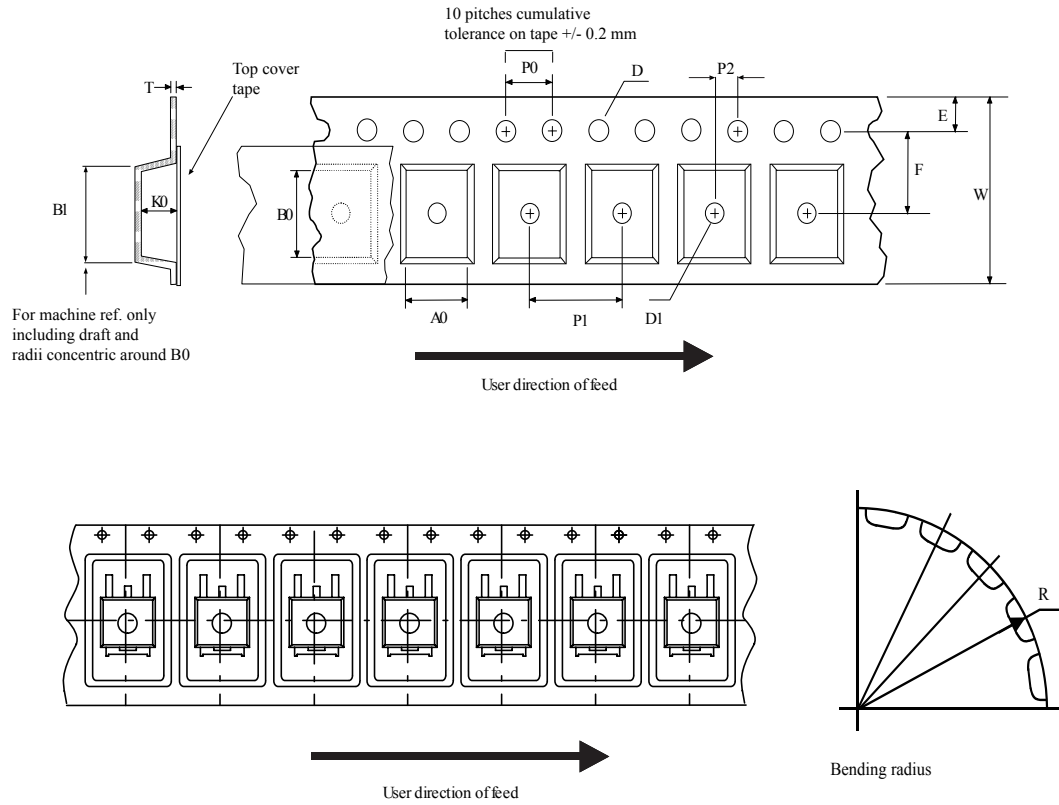
Dim.	mm		
	Min.	Typ.	Max.
A	2.18		2.39
A2			0.13
b	0.65		0.884
b4	4.95		5.46
c	0.46		0.61
c2	0.46		0.60
D	5.97		6.22
D1	5.21		
E	6.35		6.73
E1	4.32		
e		2.286	
e1		4.572	
H	9.94		10.34
L	1.50		1.78
L1		2.74	
L2	0.89		1.27
L4			1.02

**Figure 24. DPAK (TO-252) recommended footprint (dimensions are in mm)**


FP\_0068772\_25

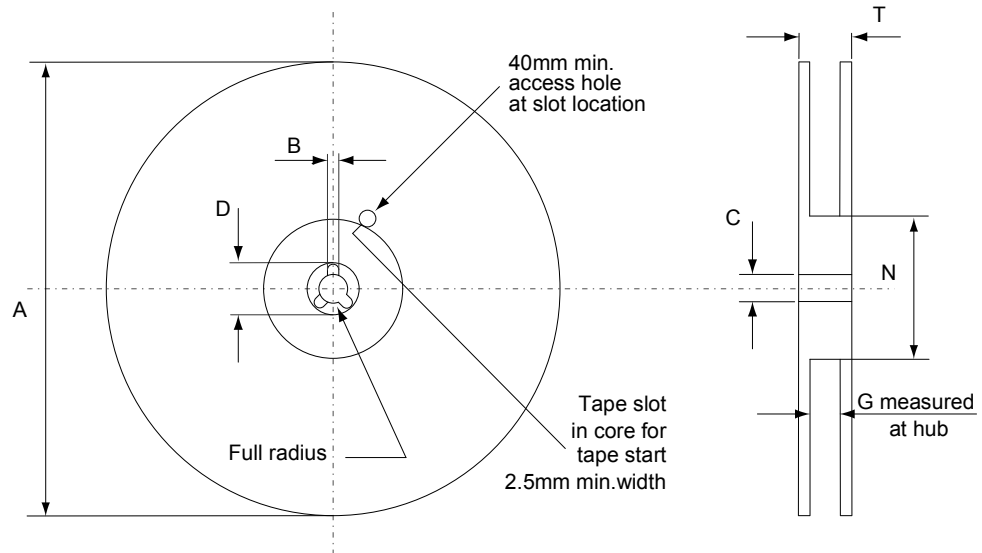
### 4.4 DPAK (TO-252) packing information

Figure 25. DPAK (TO-252) tape outline



AM08852v1



**Figure 26. DPAK (TO-252) reel outline**


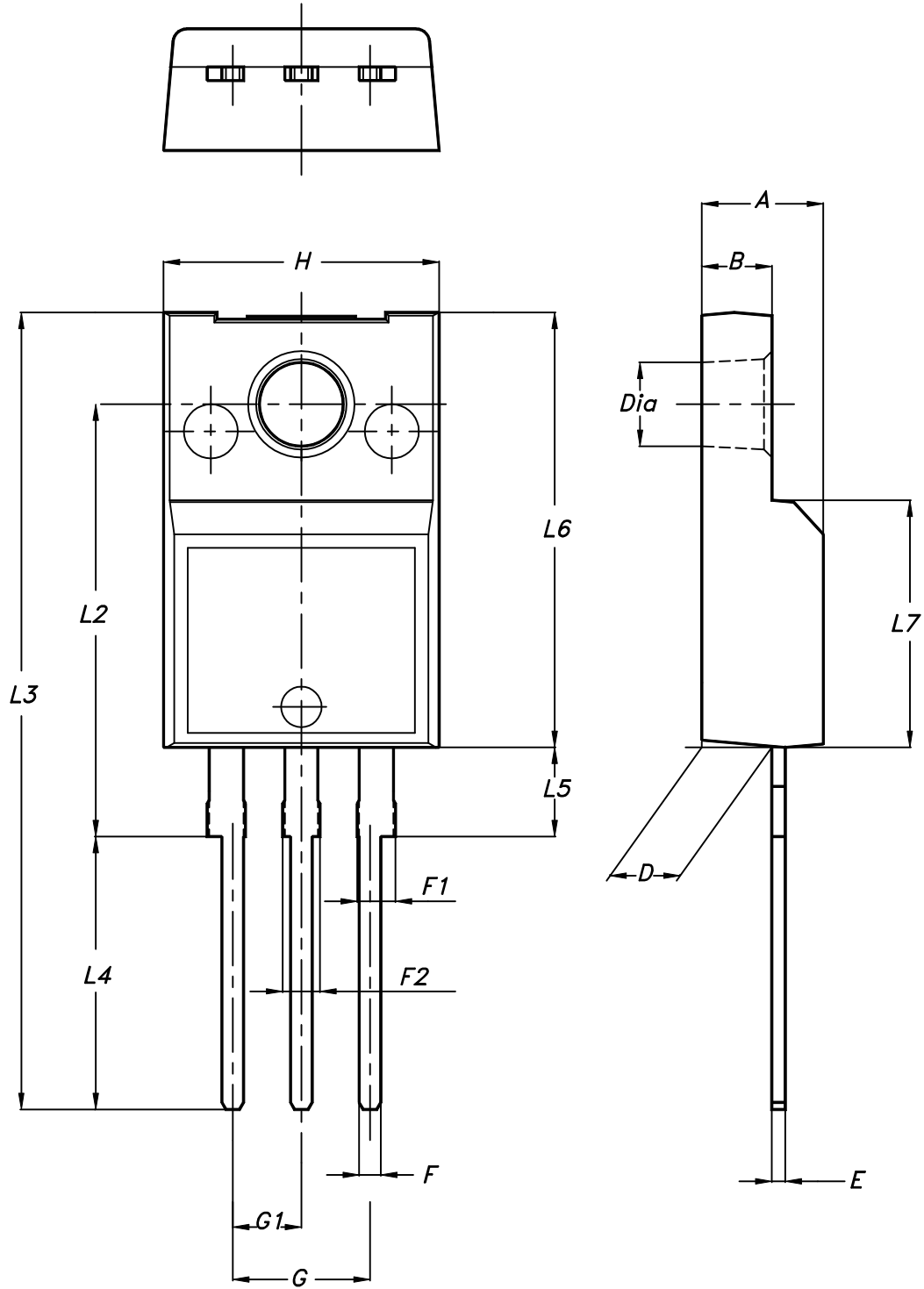
AM06038v1

**Table 12. DPAK (TO-252) tape and reel mechanical data**

Tape			Reel		
Dim.	mm		Dim.	mm	
	Min.	Max.		Min.	Max.
A0	6.8	7	A		330
B0	10.4	10.6	B	1.5	
B1		12.1	C	12.8	13.2
D	1.5	1.6	D	20.2	
D1	1.5		G	16.4	18.4
E	1.65	1.85	N	50	
F	7.4	7.6	T		22.4
K0	2.55	2.75			
P0	3.9	4.1	Base qty.		2500
P1	7.9	8.1	Bulk qty.		2500
P2	1.9	2.1			
R	40				
T	0.25	0.35			
W	15.7	16.3			

### 4.5 TO-220FP package information

Figure 27. TO-220FP package outline



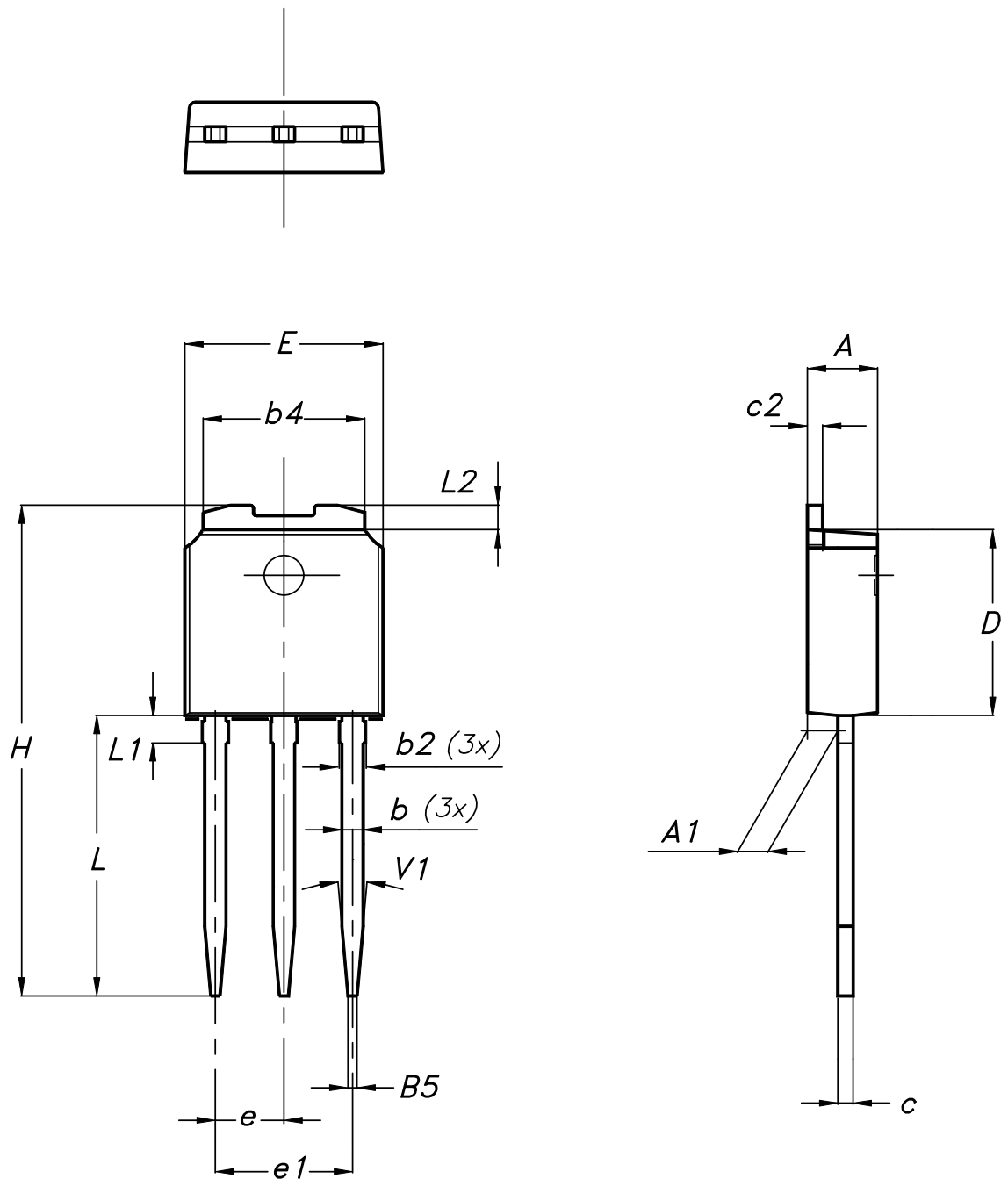
7012510\_Rev\_12\_B

**Table 13. TO-220FP package mechanical data**

Dim.	mm		
	Min.	Typ.	Max.
A	4.4		4.6
B	2.5		2.7
D	2.5		2.75
E	0.45		0.7
F	0.75		1
F1	1.15		1.70
F2	1.15		1.70
G	4.95		5.2
G1	2.4		2.7
H	10		10.4
L2		16	
L3	28.6		30.6
L4	9.8		10.6
L5	2.9		3.6
L6	15.9		16.4
L7	9		9.3
Dia	3		3.2

#### 4.6 IPAK (TO-251) type A package information

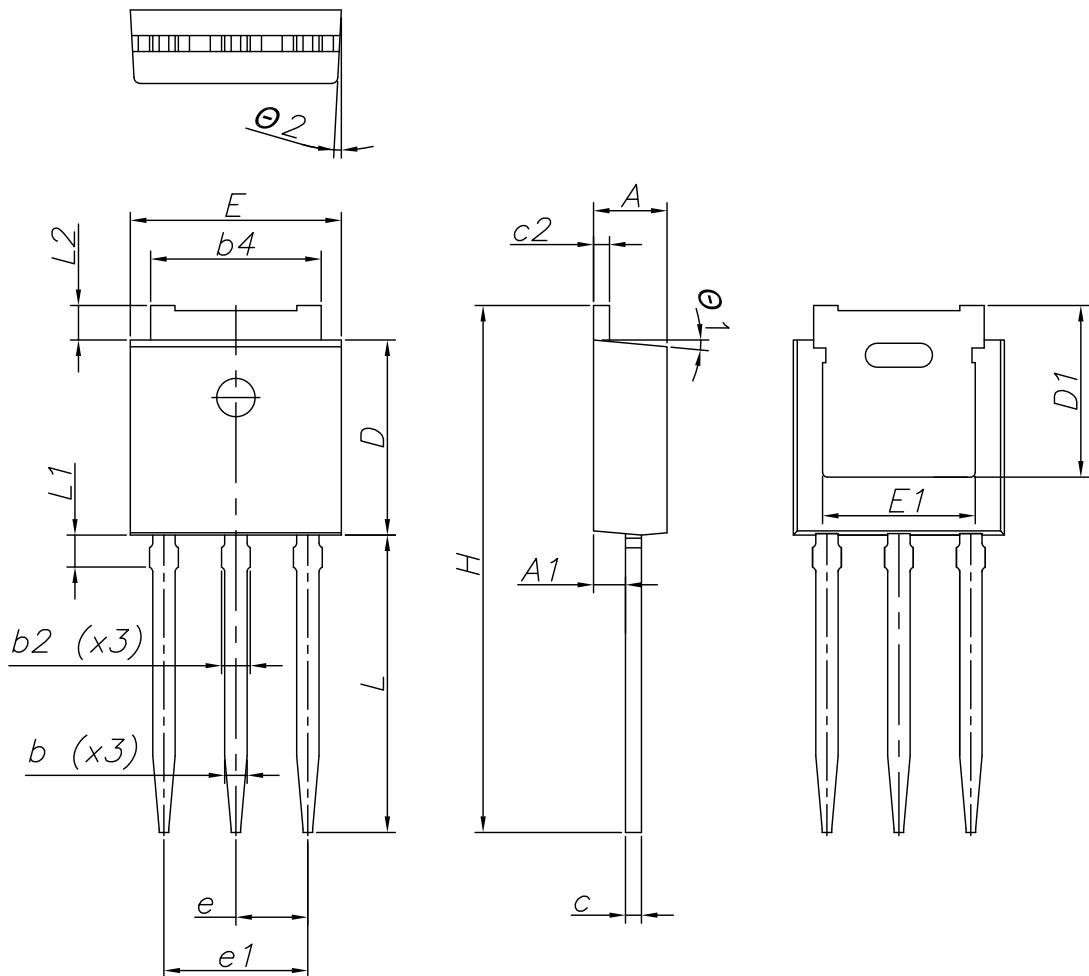
Figure 28. IPAK (TO-251) type A package outline



0068771\_IK\_typeA\_rev14

**Table 14. IPAK (TO-251) type A package mechanical data**

Dim.	mm		
	Min.	Typ.	Max.
A	2.20		2.40
A1	0.90		1.10
b	0.64		0.90
b2			0.95
b4	5.20		5.40
B5		0.30	
c	0.45		0.60
c2	0.48		0.60
D	6.00		6.20
E	6.40		6.60
e		2.28	
e1	4.40		4.60
H		16.10	
L	9.00		9.40
L1	0.80		1.20
L2		0.80	1.00
V1		10°	

**4.7 IPAK (TO-251) type C package information**
**Figure 29. IPAK (TO-251) type C package outline**


0068771\_IK\_typeC\_rev14

**Table 15. IPAK (TO-251) type C package mechanical data**

Dim.	mm		
	Min.	Typ.	Max.
A	2.20	2.30	2.35
A1	0.90	1.00	1.10
b	0.66		0.79
b2			0.90
b4	5.23	5.33	5.43
c	0.46		0.59
c2	0.46		0.59
D	6.00	6.10	6.20
D1	5.20	5.37	5.55
E	6.50	6.60	6.70
E1	4.60	4.78	4.95
e	2.20	2.25	2.30
e1	4.40	4.50	4.60
H	16.18	16.48	16.78
L	9.00	9.30	9.60
L1	0.80	1.00	1.20
L2	0.90	1.08	1.25
θ1	3°	5°	7°
θ2	1°	3°	5°

## 5 Ordering information

Table 16. Order codes

Order code	Marking	Package	Packing
STD3N62K3	3N62K3	DPAK	Tape and reel
STF3N62K3		TO-220FP	Tube
STU3N62K3		IPAK	Tube



## Revision history

**Table 17. Document revision history**

Date	Version	Changes
10-Jul-2008	1	First release
17-Aug-2009	2	Modified: marking of the <i>Table 1</i>
02-Jul-2018	3	<p>The part numbers STB3N62K3 and STP3N62K3 have been moved to a separate datasheet.</p> <p>Removed maturity status indication from cover page. The document status is production data.</p> <p>Updated title and features in cover page.</p> <p>Updated <a href="#">Section 1 Electrical ratings</a>, <a href="#">Section 2 Electrical characteristics</a> and <a href="#">Section 4 Package information</a>.</p> <p>Added <a href="#">Section 5 Ordering information</a>.</p> <p>Minor text changes.</p>

## Contents

<b>1</b>	<b>Electrical ratings</b> .....	<b>2</b>
<b>2</b>	<b>Electrical characteristics</b> .....	<b>3</b>
<b>2.1</b>	Electrical characteristics curves .....	5
<b>3</b>	<b>Test circuits</b> .....	<b>8</b>
<b>4</b>	<b>Package information</b> .....	<b>9</b>
<b>4.1</b>	DPAK (TO-252) type A package information .....	9
<b>4.2</b>	DPAK (TO-252) type C package information .....	11
<b>4.3</b>	DPAK (TO-252) type E package information .....	13
<b>4.4</b>	DPAK (TO-252) packing information .....	15
<b>4.5</b>	TO-220FP package information .....	17
<b>4.6</b>	IPAK (TO-251) type A package information .....	19
<b>4.7</b>	IPAK (TO-251) type C package information .....	21
<b>5</b>	<b>Ordering information</b> .....	<b>24</b>
	<b>Revision history</b> .....	<b>25</b>

**IMPORTANT NOTICE – PLEASE READ CAREFULLY**

STMicroelectronics NV and its subsidiaries (“ST”) reserve the right to make changes, corrections, enhancements, modifications, and improvements to ST products and/or to this document at any time without notice. Purchasers should obtain the latest relevant information on ST products before placing orders. ST products are sold pursuant to ST’s terms and conditions of sale in place at the time of order acknowledgement.

Purchasers are solely responsible for the choice, selection, and use of ST products and ST assumes no liability for application assistance or the design of Purchasers’ products.

No license, express or implied, to any intellectual property right is granted by ST herein.

Resale of ST products with provisions different from the information set forth herein shall void any warranty granted by ST for such product.

ST and the ST logo are trademarks of ST. All other product or service names are the property of their respective owners.

Information in this document supersedes and replaces information previously supplied in any prior versions of this document.

© 2018 STMicroelectronics – All rights reserved



Компания «ЭлектроПласт» предлагает заключение долгосрочных отношений при поставках импортных электронных компонентов на взаимовыгодных условиях!

Наши преимущества:

- Оперативные поставки широкого спектра электронных компонентов отечественного и импортного производства напрямую от производителей и с крупнейших мировых складов;
- Поставка более 17-ти миллионов наименований электронных компонентов;
- Поставка сложных, дефицитных, либо снятых с производства позиций;
- Оперативные сроки поставки под заказ (от 5 рабочих дней);
- Экспресс доставка в любую точку России;
- Техническая поддержка проекта, помощь в подборе аналогов, поставка прототипов;
- Система менеджмента качества сертифицирована по Международному стандарту ISO 9001;
- Лицензия ФСБ на осуществление работ с использованием сведений, составляющих государственную тайну;
- Поставка специализированных компонентов (Xilinx, Altera, Analog Devices, Intersil, Interpoint, Microsemi, Aeroflex, Peregrine, Syfer, Eurofarad, Texas Instrument, Miteq, Cobham, E2V, MA-COM, Hittite, Mini-Circuits, General Dynamics и др.);

Помимо этого, одним из направлений компании «ЭлектроПласт» является направление «Источники питания». Мы предлагаем Вам помощь Конструкторского отдела:

- Подбор оптимального решения, техническое обоснование при выборе компонента;
- Подбор аналогов;
- Консультации по применению компонента;
- Поставка образцов и прототипов;
- Техническая поддержка проекта;
- Защита от снятия компонента с производства.



#### Как с нами связаться

**Телефон:** 8 (812) 309 58 32 (многоканальный)

**Факс:** 8 (812) 320-02-42

**Электронная почта:** [org@eplast1.ru](mailto:org@eplast1.ru)

**Адрес:** 198099, г. Санкт-Петербург, ул. Калинина, дом 2, корпус 4, литера А.